



GE3 HC

3-WAY HIGH PRESSURE BALL VALVES

Edition. 21.0

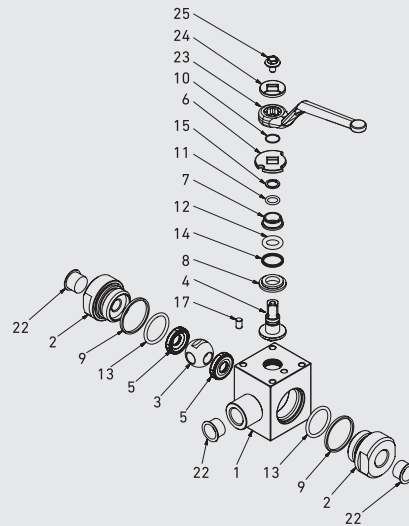
CS Carbon Steel

- Type: ball valve 3 way high cycles
- Sizes: from DN10 up to DN25
- Ends: BSP-NPT-SAE
- O-Rings: NBR, FKM, EPDM, MVQ
- Pressure: up to PN500
- Temp range: -20°C to +100°C
- Treatment: Galvanized

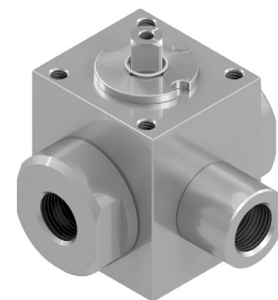
SS Stainless Steel

- Type: ball valve 3 way high cycles
- Sizes: from DN10 up to DN25
- Ends: BSP-NPT-SAE
- O-Rings: NBR, FKM, EPDM, MVQ
- Pressure: up to PN500
- Temp range: -30°C to +100°C

STANDARD COMPOSITION OF VALVE



POS	DESCRIPTION	Q.TY		MATERIAL		POS	DESCRIPTION	Q.TY		MATERIAL	
		DN10-13	DN20-25-32	CS Carbon Steel	SS Stainless Steel			DN10-13	DN20-25-32	CS Carbon Steel	SS Stainless Steel
1	Body	1	1	1,0737	1,0737	10	Seeger	1	1	1,4301	1,4301
2	Adapter	2	2	1,0460	1,0460	11	Stem o-ring	1	1	NBR	NBR
3	Ball	1	1	1,4404	1,4404	12	Stem o-ring	1	/	NBR	NBR
4	Stem	1	1	1,4542	1,4542	13	Adapter o-ring	2	2	NBR	NBR
5	Ball seat	2	2	POM	POM	14	Stem quad-ring	1	1	NBR	NBR
6	Washer	1	1	1,0116	1,0116	15	Stem Back-up	1	1	PTFE	PTFE
7	Upper Bushing	1	1	POM - A1000	POM - A1000	16	Stem Back-up	1	1	PTFE	PTFE
8	Lower Bushing	1	1	POM - A1000	POM - A1000	17	Pin	1	1	1,0737	1,0737
9	Closure gasket	2	2	GRAPHITE	GRAPHITE	18	Caps	2	2	PVC	PVC



CODE DESCRIPTION STRUCTURE

GE3 HC	G 1/2	DN13	1	2	M	4	A	B
--------	-------	------	---	---	---	---	---	---

Type and way of valve

GE3 HC 3-way

Ends

GAS DIN/ ISO 228 BSP	NPT ANSI /ASME B1.20.1	SAE J1926-1
G 3/8	N 3/8	SAE6
G 1/2	N 1/2	SAE8
G 3/4	N 3/4	SAE12
G 1	N 1	SAE16

Size

DN10
DN13
DN20
DN25

Body Material

- 1 = 1,0737
- 4 = 1,4404

Adapter material

- 2 = 1,0460
- 4 = 1,4404

Stem material

- M = 1,4542
- M = 1,4542

Ball Material

- 4 = 1,4404
- 4 = 1,4404

Seat material

A = POM D = PEEK* G = PA612* K = GEMPTFE* C = PTFE*

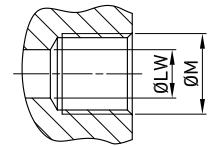
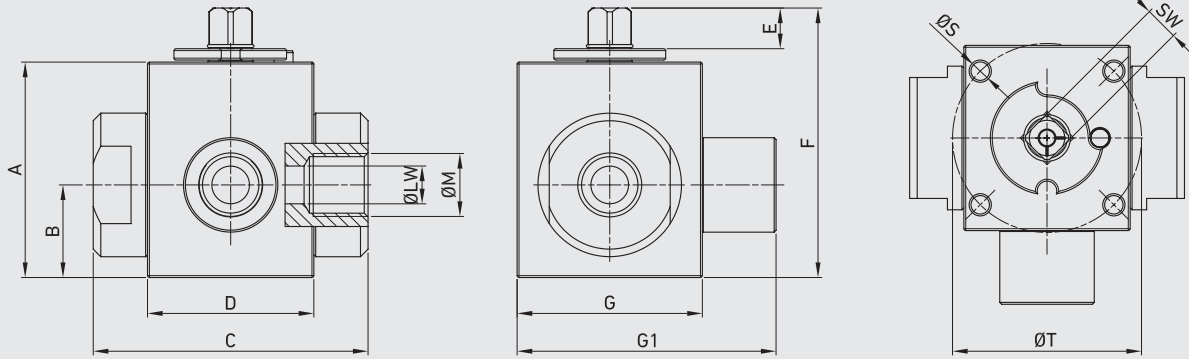
Seal material

B = NBR E = FKM* F = EPDM* L = MVQ*

*On request

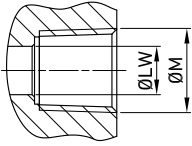
- Pneumatic and electrical actuator

For further special requests please consult our technical/commercial service.

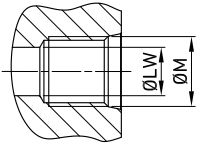


GE3 HC DIN/ISO 228 BSP

TYPE	DN	PN	A	B	C	D	E	F	G	G1	ØM	ØS	ØT	ISO5211	SW	ØLW	WEIGHT	ITEM CODE	
																		CS	SS
GE3 G 3/8	10	MPa 50	mm 57	24,5	73	44	11	71,3	49	68,5	G 3/8	M6	50	F05	9	10	kg 0,8	G610203A1301TAA	G590203A2P01TAA
		Psi 7250	inch 2,24	0,96	2,87	1,73	0,43	2,81	1,93	2,70									
GE3 G 1/2	13	MPa 50	mm 57	23,5	81	48	11	71,3	49	70,5	G 1/2	M6	50	F05	9	13	kg 1,318	G610204A1301TAA	G590204A2P01TAA
		Psi 7250	inch 2,24	0,93	3,19	1,89	0,43	2,81	1,93	2,78									
GE3 G 3/4	20	MPa 40	mm 65	27	98	62	14	83,7	55	85	G 3/4	M6	50	F05	14	20	kg 2	G610205A1301TAA	G590205A2P01TAA
		Psi 5800	inch 2,56	1,06	3,86	2,44	0,55	3,30	2,17	3,35									
GE3 G 1/2	25	MPa 35	mm 75	33,5	106	66	14	93,6	65	97,5	G1	M6	50	F05	14	25	kg 2,572	G610206A1301TAA	G590206A2P01TAA
		Psi 5075	inch 2,95	1,32	4,17	2,60	0,55	3,69	2,56	3,84									


GE3 HC ANSI/ASME B1.20.1 NPT

																	CS Carbon Steel	SS Stainless Steel				
TYPE	DN	PN		A	B	C	D	E	F	G	G1	ØM	ØS	ØT	ISO5211	SW	ØLW	WEIGHT	ITEM CODE			
GE3 N 3/8	10	MPa	50	mm	57	24,5	73	44	11	71,3	49	68,5	N 3/8	M6	50	F05	9	10	kg	0,8	G610903A1301TAA	G610903A2P01TAA
		Psi	7250	inch	2,24	0,96	2,87	1,73	0,43	2,81	1,93	2,70							1,97	0,35		
GE3 N 1/2	13	MPa	50	mm	57	23,5	81	48	11	71,3	49	70,5	N 1/2	M6	50	F05	9	13	kg	1,318	G610904A1301TAA	G610904A2P01TAA
		Psi	7250	inch	2,24	0,93	3,19	1,89	0,43	2,81	1,93	2,78							1,97	0,35		
GE3 N 3/4	20	MPa	40	mm	65	27	98	62	14	83,7	55	85	N 3/4	M6	50	F05	14	20	kg	2	G610905A1301TAA	G610905A2P01TAA
		Psi	5800	inch	2,56	1,06	3,86	2,44	0,55	3,30	2,17	3,35							1,97	0,55		
GE3 N 1	25	MPa	35	mm	75	33,5	106	66	14	93,6	65	97,5	N1	M6	50	F05	14	25	kg	2,572	G610906A1301TAA	G610906A2P01TAA
		Psi	5075	inch	2,95	1,32	4,17	2,60	0,55	3,69	2,56	3,84							1,97	0,55		


GE3 HC SAE J1926-1

																	CS Carbon Steel	SS Stainless Steel				
TYPE	DN	PN		A	B	C	D	E	F	G	G1	ØM	ØS	ØT	ISO5211	SW	ØLW	WEIGHT	ITEM CODE			
GE3 SAE6	10	MPa	50	mm	57	24,5	73	44	11	71,3	49	68,5	9/16	M6	50	F05	9	10	kg	0,8	G610B03A1301TAA	G610B03A2P01TAA
		Psi	7250	inch	2,24	0,96	2,87	1,73	0,43	2,81	1,93	2,70							UNF	1,97		
GE3 SAE8	13	MPa	50	mm	57	23,5	81	48	11	71,3	49	70,5	3/4	M6	50	F05	9	13	kg	1,318	G610B04A1301TAA	G610B04A2P01TAA
		Psi	7250	inch	2,24	0,93	3,19	1,89	0,43	2,81	1,93	2,78							UNF	1,97		
GE3 SAE12	20	MPa	40	mm	65	27	98	62	14	83,7	55	85	1 1/16	M6	50	F05	14	20	kg	2	G610B05A1301TAA	G610B05A2P01TAA
		Psi	5800	inch	2,56	1,06	3,86	2,44	0,55	3,30	2,17	3,35							UNF	1,97		
GE3 SAE16	25	MPa	35	mm	75	33,5	106	66	14	93,6	65	97,5	1 5/16	M6	50	F05	14	25	kg	2,572	G610B06A1301TAA	G610B06A2P01TAA
		Psi	5075	inch	2,95	1,32	4,17	2,60	0,55	3,69	2,56	3,84							UNF	1,97		