



# GVS Flanged

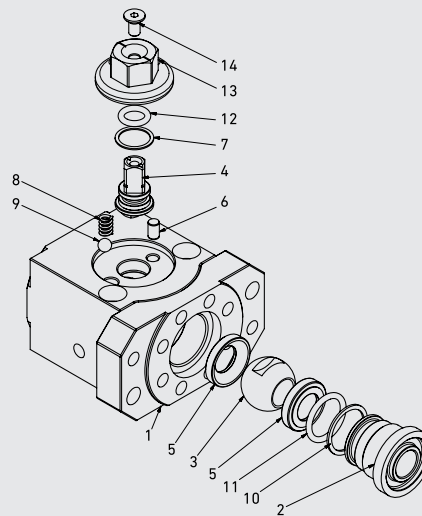
2 WAY HIGH PRESSURE BALL VALVES  
FLANGED PANEL MOUNTING

Edition. 21.0

## CS Carbon Steel

- Type: ball valve 2 way (panel mounting)
- Sizes: from DN13 up to DN32
- Ends: ISO6162-1/-2 (SAE J518)
- O-Rings: NBR, FKM, EPDM, MVQ
- Pressure: up to PN420 / S3000-S6000
- Temp range: -20°C to +100°C
- Treatments: Galvanized

## STANDARD COMPOSITION OF VALVE



POS	DESCRIPTION	Q.TY	CS Carbon Steel MATERIAL
1	Body	1	1,0737
2	Closure	1	1,0737
3	Ball	1	1,0737
4	Stem	1	1,0737
5	Ball seat	2	POM
6	Pin	1	1,0737
7	Stem ring	1	POM
8	Spring UNI17223-1	1	1,0116
9	Spring ball	1	1,0116
10	Stem o-ring	1	FKM
11	Adapter o-ring	1	FKM
12	Washer	1	1,0737
13	Screw	1	DIN 7991 8.8



## CODE DESCRIPTION STRUCTURE

GVS	G1/2	DN13	1	1	1	1	A	B
-----	------	------	---	---	---	---	---	---

**Type and way of valve**

GVS flanged panel mounting

**Ends**

 ISO6162-  
1/-2  
(SAE J518)  
S3000  
S6000

**Size**

 DN13  
DN20  
DN25  
DN32  
DN40

**Body Material**

● 1 = 1,0737

**Adapter material**

● 1 = 1,0737

**Steam material**

● 1 = 1,0737

**Ball Material**

● 1 = 1,0737

**Ball seat material**

A = POM D = PEEK\* K = GEMPTFE\* C = PTFE\*

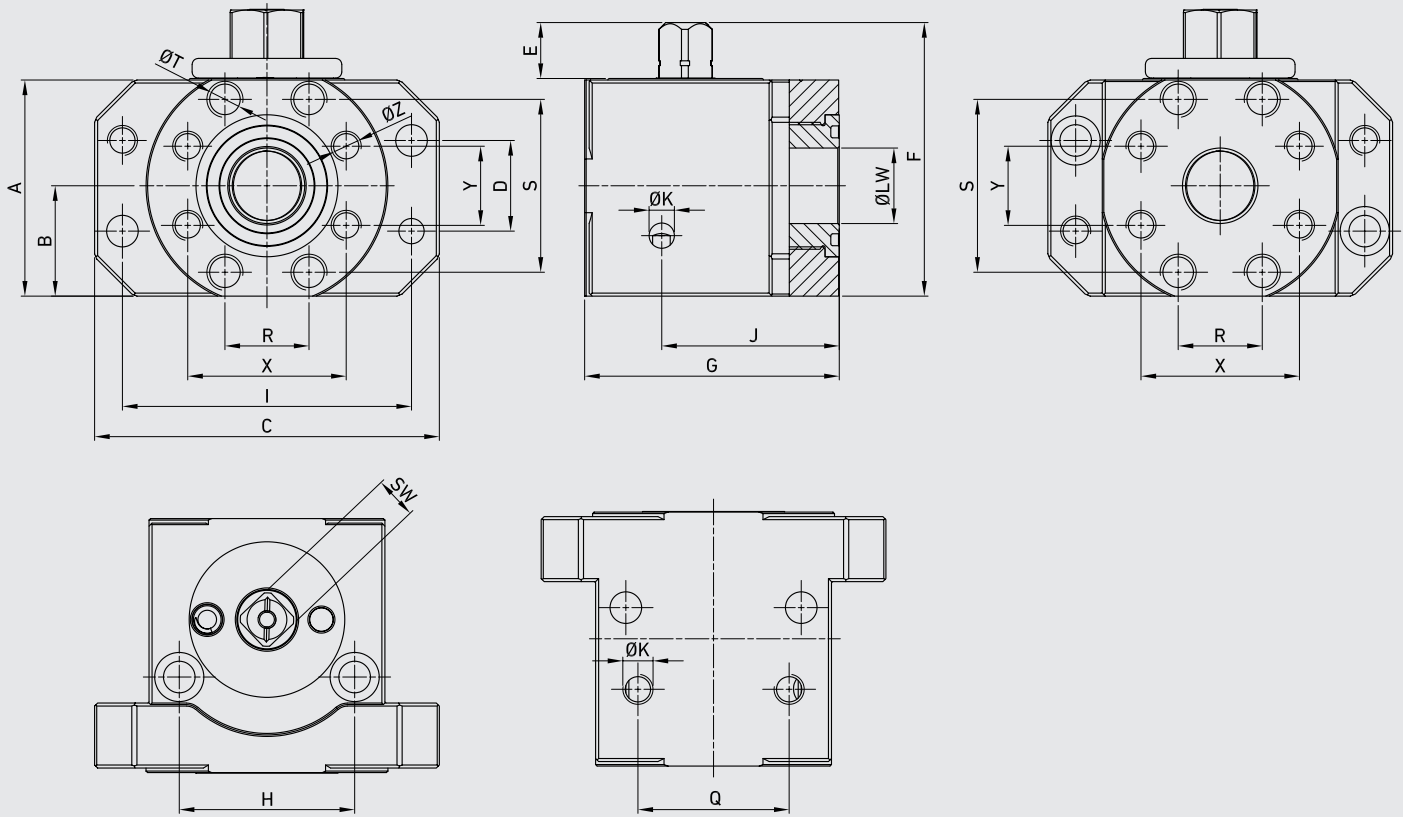
**Adapter and stem seal material**

E = FKM B = NBR F = EPDM\* L = MVQ\*

**\*On request**

- Reduced bore
- Special threads
- Locking device
- Pressure class up to PN6000 Psi

*For further special requests please consult our technical/commercial service.*



■ GVS ISO6162-1/-2 (SAE J518)

CS  
Carbon Steel

TYPE	DN	PN	A	B	C	D	E	F	ØK	R	S	ØT	X	Y	ØZ	I	Q	G	SW	H	ØLW	J	WEIGHT	ITEM CODE
GVS 1/2 F61/62	13	MPa 42	mm 49,5	24,6	90	20	14	61,2	M8	17,5	38,1	M8	40,5	18,2	M8	74	45	75	9	46	13	42,5	kg 1,6	GV2FFT3G011BA00
		Psi 6090	inch 1,95	0,97	3,54	0,79	0,55	2,41		0,69	1,50		1,59	0,72		2,91	1,77	2,95	0,35	1,81	0,51	1,67	lb 3,53	
GVS 3/4 F61/62	20	MPa 42	mm 63	31,4	109	26	14	80,7	M10	23,8	50,8	M10	47,6	22,2	M10	92	50	80,1	14	58	20	53,5	kg 2,7	GV2FFT4G011BA00
		Psi 6090	inch 2,48	1,24	4,29	1,02	0,55	3,18		0,94	2,00		1,87	0,87		3,62	1,97	3,15	0,55	2,28	0,79	2,11	lb 5,95	
GVS 1 F61/62	25	MPa 42	mm 72	37	114	30	18,5	91	M10	27,8	57,2	M12	52,4	26,2	M10	95,6	50	84	14	58	25	58,5	kg 3,4	GV2FFT5G011BA00
		Psi 6090	inch 2,83	1,46	4,49	1,18	0,73	3,58		1,09	2,25		2,06	1,03		3,76	1,97	3,31	0,55	2,28	0,98	2,30	lb 7,50	
GVS 1 1/4 F62*	32	MPa 42	mm 89	42,5	129	40	18,5		M10	31	66,7	M12	-	-	M16	108	50	90	17	70	32	58,8	kg 5,7	GV2FFT6G011BA00
		Psi 6090	inch 3,50	1,67	5,08	1,57	0,73	0,00		1,22	2,63		-	-		4,25	1,97	3,54	0,67	2,76	1,26	2,31	lb 12,57	

\*GVS 1 1/4 ONLY ISO 6162-2