



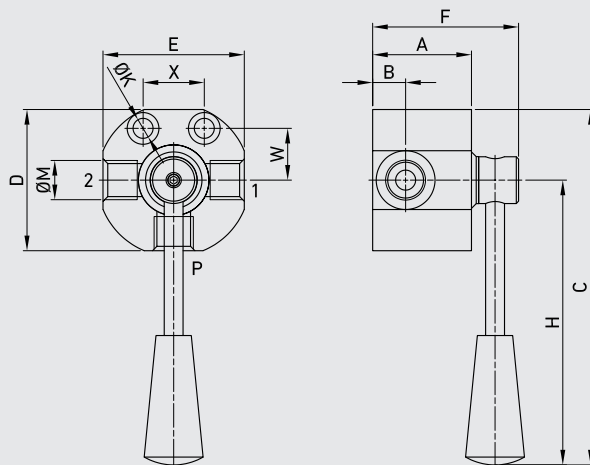
DDF3-A

3 WAYS FLOW DIVERTERS

Edition. 21.0

CS Carbon Steel

- Type: 3 ways flow diverters
- Pressure: up to PN500
- Treatments: Galvanized



CODE DESCRIPTION STRUCTURE
DDF3-A G1/2
Type and way of valve

DDF3-A 3 ways flow dividers

Ends

 GAS DIN/
ISO 228

BSP

G 1/4

G 3/8

G 1/2

G 3/4

Mineral Oil: DIN 51524 ISO 6743/4

 Oil viscosity: 15-250mm²/s

Oil temperature: -20°C +80°C

Ambient temperature: -20°C +50°C

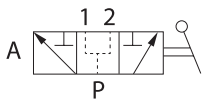
 Max contamination index with filter: 15-250mm²/s

Necessary to use a filter to protect the valve

(advised filtration 15µm)


DDF3-A - Flow diverter three-way open center

| | | | | | | | | | | | | | | | CS Carbon Steel |
|-------------|------|----------|-----------|------|-------|------|------|------|------|------|------|------|------|----------|--------------------|
| TYPE | DN | PN | A | B | C | D | E | F | w | H | X | ØK | ØM | WEIGHT | ITEM CODE |
| DDF3-A G1/4 | DN6 | MPa 500 | mm 42 | 14 | 150 | 60 | 60 | 62 | 22 | 120 | 26 | 8,5 | G1/4 | kg 0,95 | NDF4G010000 |
| | | Psi 7250 | inch 1,65 | 0,55 | 5,91 | 2,36 | 2,36 | 2,44 | 0,87 | 4,72 | 1,02 | 0,33 | | lb 0,209 | |
| DDF3-A G3/8 | DN10 | MPa 500 | mm 42 | 14 | 150 | 60 | 60 | 62 | 22 | 120 | 26 | 8,5 | G3/8 | kg 0,95 | NDF4G020000 |
| | | Psi 7250 | inch 1,65 | 0,55 | 5,91 | 2,36 | 2,36 | 2,44 | 0,87 | 4,72 | 1,02 | 0,33 | | lb 0,209 | |
| DDF3-A G1/2 | DN13 | MPa 500 | mm 45 | 16 | 152,5 | 65 | 65 | 65 | 22 | 120 | 26 | 8,5 | G1/2 | kg 1,25 | NDF4G030000 |
| | | Psi 7250 | inch 1,77 | 0,63 | 6,00 | 2,56 | 2,56 | 2,56 | 0,87 | 4,72 | 1,02 | 0,33 | | lb 0,275 | |
| DDF3-A G3/4 | DN20 | MPa 500 | mm 54 | 23 | 160 | 80 | 80 | 75 | 26 | 120 | 32 | 10,5 | G3/4 | kg 2,14 | NDF4G040000 |
| | | Psi 7250 | inch 2,13 | 0,91 | 6,30 | 3,15 | 3,15 | 2,95 | 1,02 | 4,72 | 1,26 | 0,41 | | lb 0,471 | |


DDF3-A - Flow diverter three-way closed center

| | | | | | | | | | | | | | | | CS Carbon Steel |
|-------------|------|----------|-----------|------|-------|------|------|------|------|------|------|------|------|----------|--------------------|
| TYPE | DN | PN | A | B | C | D | E | F | w | H | X | ØK | ØM | WEIGHT | ITEM CODE |
| DDF3-A G1/4 | DN6 | MPa 500 | mm 42 | 14 | 150 | 60 | 60 | 62 | 22 | 120 | 26 | 8,5 | G1/4 | kg 0,95 | NDF4G010001 |
| | | Psi 7250 | inch 1,65 | 0,55 | 5,91 | 2,36 | 2,36 | 2,44 | 0,87 | 4,72 | 1,02 | 0,33 | | lb 0,209 | |
| DDF3-A G3/8 | DN10 | MPa 500 | mm 42 | 14 | 150 | 60 | 60 | 62 | 22 | 120 | 26 | 8,5 | G3/8 | kg 0,95 | NDF4G020001 |
| | | Psi 7250 | inch 1,65 | 0,55 | 5,91 | 2,36 | 2,36 | 2,44 | 0,87 | 4,72 | 1,02 | 0,33 | | lb 0,209 | |
| DDF3-A G1/2 | DN13 | MPa 500 | mm 45 | 16 | 152,5 | 65 | 65 | 65 | 22 | 120 | 26 | 8,5 | G1/2 | kg 1,25 | NDF4G030001 |
| | | Psi 7250 | inch 1,77 | 0,63 | 6,00 | 2,56 | 2,56 | 2,56 | 0,87 | 4,72 | 1,02 | 0,33 | | lb 0,275 | |
| DDF3-A G3/4 | DN20 | MPa 500 | mm 54 | 23 | 160 | 80 | 80 | 75 | 26 | 120 | 32 | 10,5 | G3/4 | kg 2,14 | NDF4G040001 |
| | | Psi 7250 | inch 2,13 | 0,91 | 6,30 | 3,15 | 3,15 | 2,95 | 1,02 | 4,72 | 1,26 | 0,41 | | lb 0,471 | |

