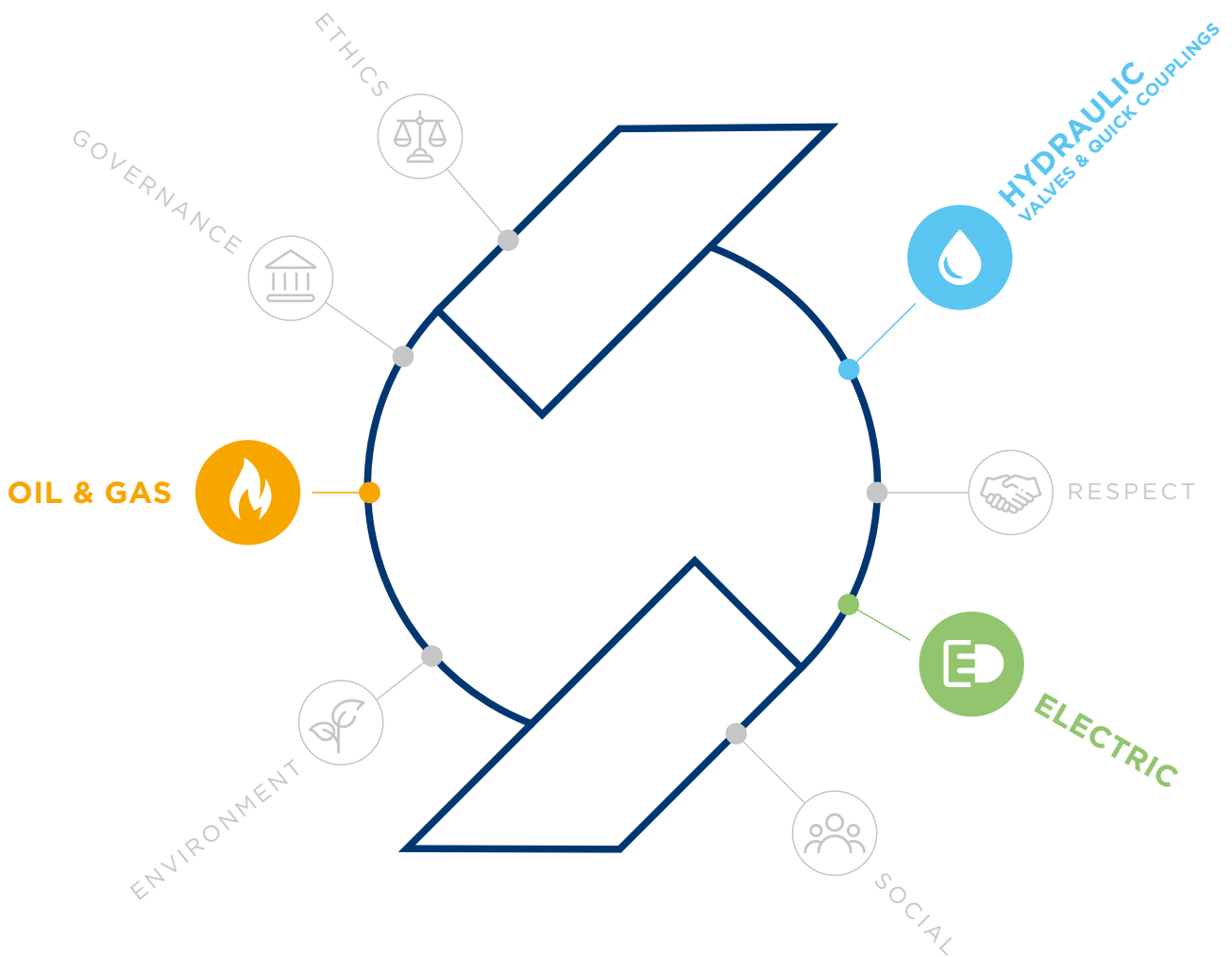




## GENERAL CATALOGUE



ITALIAN MANUFACTURER SINCE 1969





## COMPANY'S FOUNDATION

**GEMELS S.p.A.** was founded in 1969 as a Company specialized in the designing and manufacturing of ball valves and quick couplings from 1/4" up to 42".

**GEMELS S.p.A.** has become a worldwide leader in the industrial & hydraulic field and, since 2010, has started to focalize and to invest more and more also in the Oil & Gas field.

**GEMELS S.p.A.** has also introduced into its range new products regarding Green Power application, as ELECTRIC MOTORS and new other forthcoming projects for the electrification of equipment and machines.

## WHERE WE ARE

**GEMELS S.p.A.** is located in the middle of North Italy, less than 50 km from Milan.

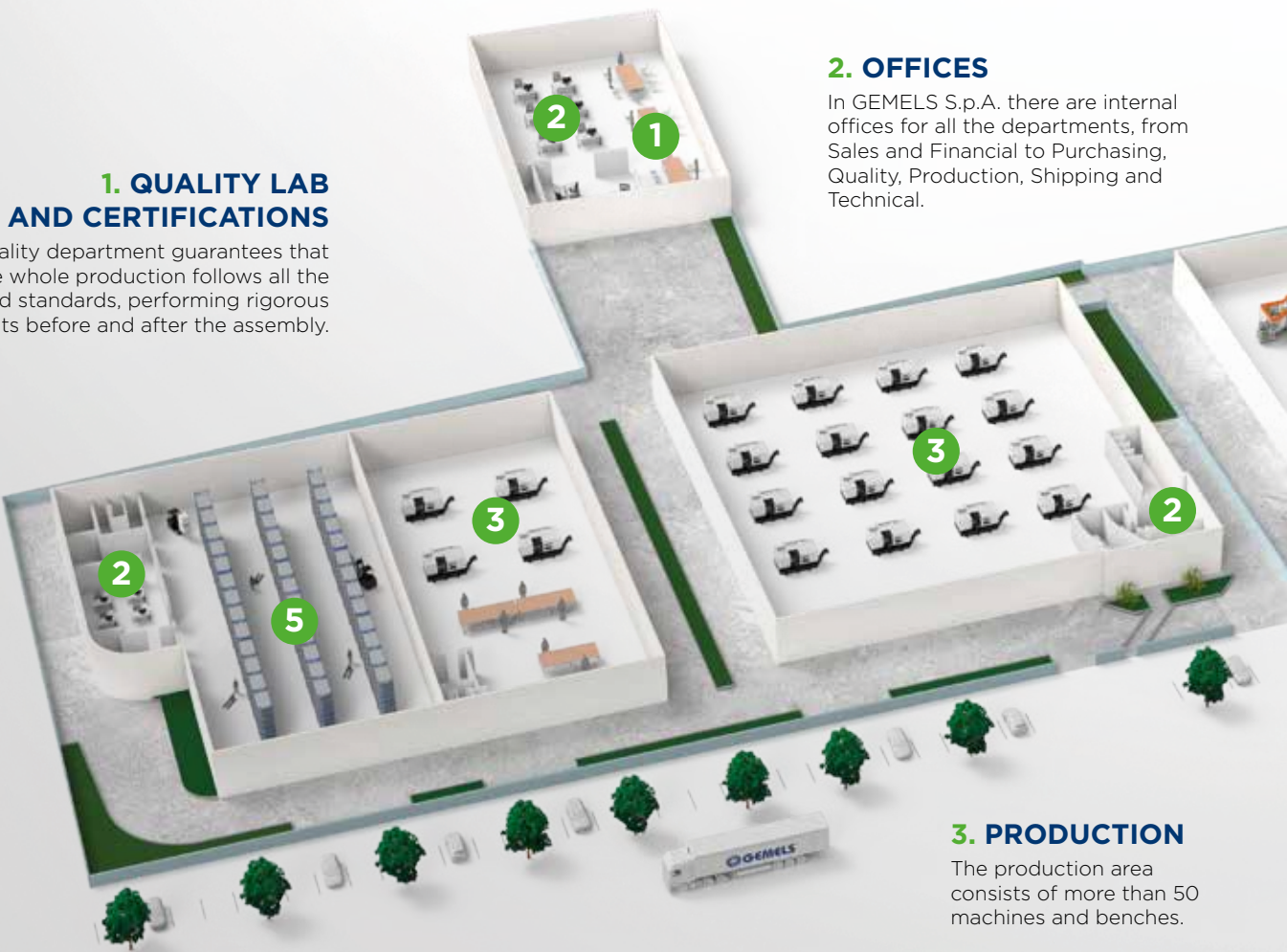
Address:  
Via Gambirasio, 20/22 24069  
Trescore Balneario (Bergamo)  
ITALY

**GEMELS NORTH AMERICA INC** is located in Dayton, with office and warehouse supplying the American market.

Address:  
**Billing Address**  
1800 West Loop South  
Suite 1740 - Houston, TX 77027  
**Warehouse & Distribution Center**  
2351 US Route 130  
Dayton, NJ 08810

# HEADQUARTERS

GEMELS S.p.A. covers more than 12.500 m<sup>2</sup>, between indoor and outdoor area.



## 1. QUALITY LAB AND CERTIFICATIONS

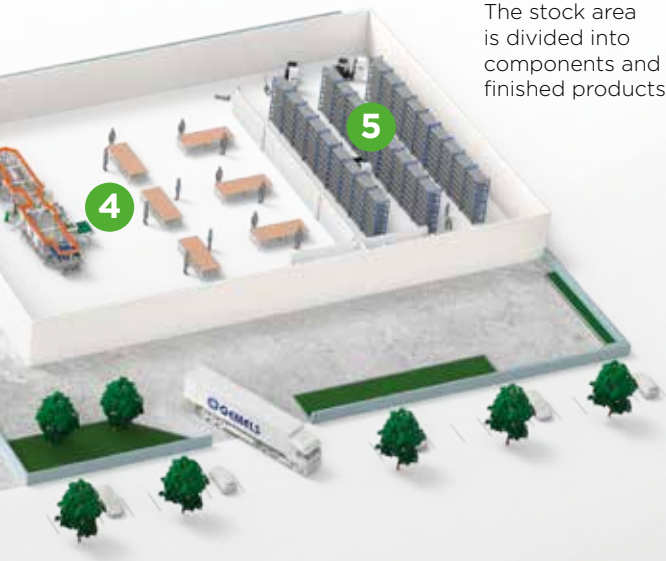
The quality department guarantees that the whole production follows all the required standards, performing rigorous tests before and after the assembly.

## 2. OFFICES

In GEMELS S.p.A. there are internal offices for all the departments, from Sales and Financial to Purchasing, Quality, Production, Shipping and Technical.

## 3. PRODUCTION

The production area consists of more than 50 machines and benches.



**5. STOCK AND SHIPPING**

The stock area is divided into components and finished products.

**4. ASSEMBLING**

The assembling area includes manual and automatic lines, where valves are 100% tested.

# OUR HISTORY

In 1969, in the center of Trescore Balneario, Angelo Facchinetti gave life to his “Officina Meccanica”. In 1988 the Company changed its name in **GEMELS** and in the ‘90s the first ball valve model GE2 was realized. The first shipment abroad, in 1997, highlighted the first step of the internationalization process. In 2004 **GEMELS** bought two new buildings, next to the first one, to increase its production. In 2010 the Company made the first investments in the Oil&Gas market, obtaining API 6D Certification two years later. In 2015, becoming always more aware of health and safety themes, **GEMELS** obtained ISO 18001 and OHSAS 14001 Certifications. The first machine for the automatic assembly of GE valves was introduced in 2017. In 2018 **GEMELS** widened its product range by developing Quick Couplings. In 2020 the Company changed its business name from **GEMELS** to **GEMELS S.p.A.** and the first branch in USA, **Gemels North America Inc.** based in Dayton, was officially opened.



GEMELS S.p.A. is not a Community for everybody. If you like impossible challenges, if you would like to become a champion and you are an honest person, you could be part of our reality.

Our distinctive value is fully understood by those who has made a direct experience in GEMELS S.p.A..

# GLOBAL PRESENCE

## 100 COUNTRIES

**GEMELS S.p.A.** has a strong global presence with a network of distributors and partners all over the world. Reaching almost 100 countries, the Company is able to guarantee the faster solution to all the customers across the five continents.



# PHILOSOPHY

---

**GEMELS S.p.A.** founds its philosophy on being a Company completely different from the other ones in every aspect for its courage and honesty. This philosophy is not based on the enrichment of the Company management, but on sharing it with each colleague, who work with passion looking for a continuous improvement, growth and perfection, and his/her family. The real success of **GEMELS S.p.A.** is what we inspire in our colleagues' lives, which becomes then their personal success too. We base our philosophy on a creative long-period idea, where women hold high-profile positions, generating a chain of values that reaches their children, who, once included in the Company's reality, will bring the learned culture. The value given to people that are part of our Community is essential: they are the one who make the Company. To fully understand **GEMELS** philosophy, which is completely out of the ordinary, as far as you try, is often difficult, almost impossible.



# SUSTAINABILITY

---

For **GEMELS S.p.A.** sustainability is a priority: the Company always takes care of ESG themes (Environmental Social Governance).

**GEMELS S.p.A.** supports the basics of the European Green Deal. This agreement, among its points, not only does it deal with the problem of climate change, but also it concerns workers and communities support, guaranteeing social protection and respect for human rights. Among the various aspects related to social issues, **GEMELS S.p.A.** puts great emphasis on the topic of welfare, as well as on employee engagement, gender diversity, responsible and sustainable supply chain.



ESG

The Company values its people (PEOPLE FIRST): it has always adopted this approach, as people are the one who make the Company. **GEMELS S.p.A.** has always worked hard to spread a 'COMPANY CULTURE', both internally and externally, that gives value and defends people, protects their mental and physical health and promotes their development.

Another goal is the female quota, currently up to 40% of the colleagues.

**GEMELS S.p.A.** philosophy follows the principles of TPS, based on lean production, 5S, pursuit of the excellence in quality and continuous improvements (kaizen).







“ WHEN YOU WORK, REMIND: YOUR FAMILY IS WAITING FOR YOU AT HOME! ”

### GEMELS safety

One of **GEMELS S.p.A.** main focuses is the promotion and spread of a Safety Culture in the workplace. One of our mottos is: WHEN YOU WORK, REMIND: YOUR FAMILY IS WAITING FOR YOU AT HOME!

In order to spread safety awareness to all the partners and colleagues, we have introduced some special labels on our equipment and machinery with the “**GEMELS SAFETY**” brand. These labels are printed internally by our quality and safety department. **GEMELS S.p.A.** is ISO 45001 certified.

### GEMELS Supply Support Center

Regarding the supply chain, the Company is committed to increasing awareness of themes such as the transparency and honesty of relationships. Since 2014, **GEMELS S.p.A.** has introduced a designated office with the aim of making continuous improvements to the quality of its products, thanks to a close collaboration between the suppliers and the Company: it is called GSSC (GEMELS Supply Support Center).

## GEMELS ENVIRONMENT

We are sensitive to the environmental issues and to the impact that production activities have on the environment and territory in terms of natural gas emissions, energy savings, green innovation, soil protection and biodiversity. **GEMELS S.p.A.** is committed to inspiring its workers' environmental awareness by reducing the quantity of waste produced, by optimizing recycling and by promoting the reduction of energy consumption thanks to our production cycles efficiency. The Company dedicates few hours each year to environmental and social sustainability, supporting different local and national charitable organizations. **GEMELS S.p.A.** is ISO 14001 certified.



PATENT

1

## BALL VALVES WITH INTEGRATED QUICK COUPLINGS

### LEAN & COMPACT SOLUTIONS

Many components reduced to only one single item

### BETTER & GUARANTEED PERFORMANCES

One single body incorporates valve and coupling, that means no more leakages and contaminations of the system and a more uniform flow

### VARIOUS & CUSTOMIZED SOLUTIONS

Valve available in different threads and coupling standards according to request  
ISO A / ISO B / FLAT FACE / N / NV / PUSH-PULL

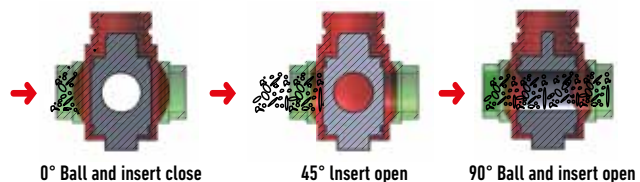


PATENT

2

## DIRTY GAS APPLICATION

For some critical applications with dirty gas, especially in CNG field, **GEMELS S.p.A.** patented a special insert with an internal stem to avoid completely the damaging of ball seats.



# DESIGN AND PATENT

Thanks to its philosophy, based on lean production, **GEMELS S.p.A.** has specialized over the years in the design and production of valves for special & critical applications, providing customers with lean solutions and customized valves.

Thanks to the R&D department rigorous study of advanced and innovative solutions, **GEMELS S.p.A.** has also obtained 4 patents in Italy and Europe.



## PATENT

### 3

#### GEMFY

Our GEMFY Valve is studied for high-pressure application, ensuring:

- lower torque values.
- smaller & cheaper actuator.
- absence of an external bypass valve.
- more open/dose cycles.
- longer life of the ball valve.
- easier opening after long period of closing.

## PATENT

### 4

#### FULLY WELDED

The patent is applicable to FULLY WELDED SBT valves, where the flanges are welded to the body (and not bolted).

The patent allows to assemble and test the valve more safely, quickly and cheaply.

Thanks to the special grooves studied, which permit mounting and testing the body and the flanges, it is possible to perform the high-pressure leak test without performing the first weld overlay.

That is both time-saving and money-saving.

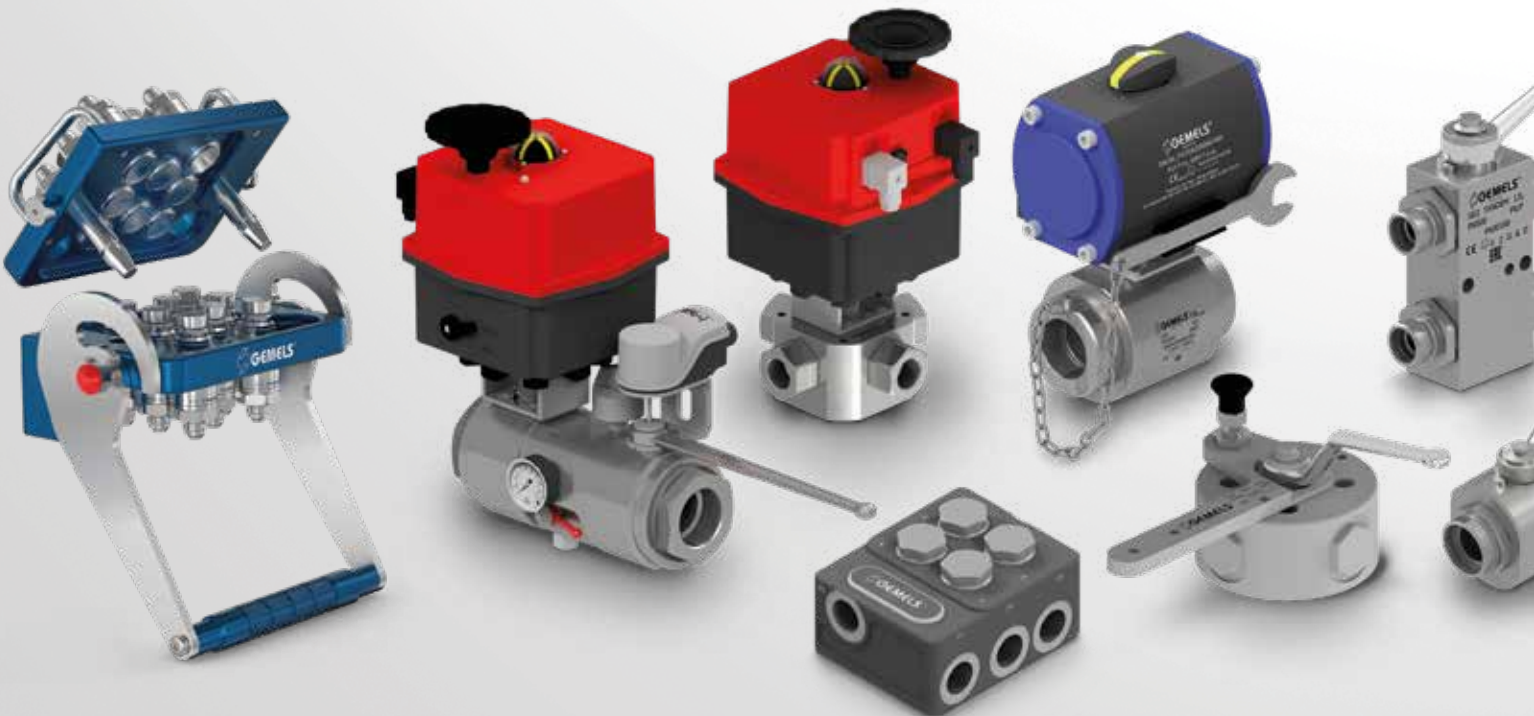
# R&D

In **GEMELS S.p.A. R&D Department**, our technicians study innovative solutions. In the last years, the Company has been focusing on GREEN POWER ENERGY with new projects in the ELECTRIC field. **GEMELS S.p.A.** introduced three-phase synchronous ELECTRIC MOTORS and other new technological products.

## APPLICATIONS & SOLUTIONS

**GEMELS S.p.A.** electric motors are studied for different applications: agriculture, earth moving, construction, cleaning, material handling, lifting equipment, transfer carts, automotive, e-mobility and many others.

## CUSTOMIZED Series

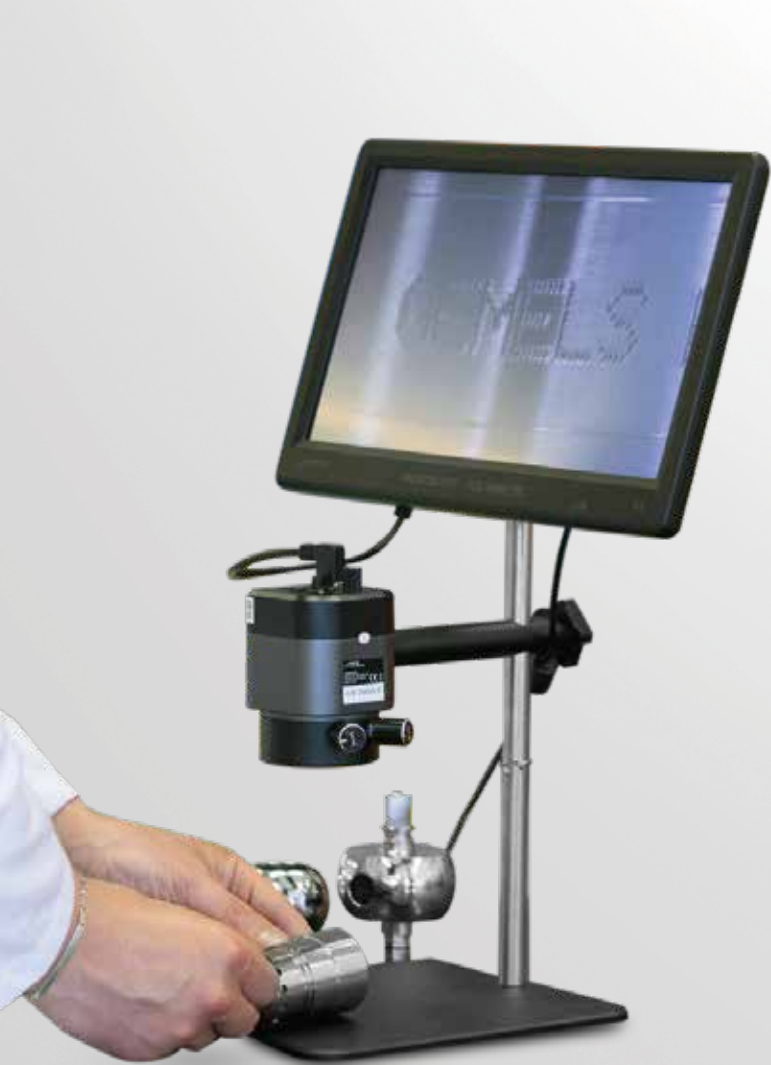




# LEAN CUSTOMIZED



**GEMELS S.p.A.** studies and designs special lean customized solutions for its customers based on specific requests. Thanks to the close collaboration between **GEMELS S.p.A.** technical department and the engineering department of the customers, we are able to study the best and most suitable solution for the application where our products will be mounted. **GEMELS S.p.A.** can realize prototypes and samples. Our customized solutions can range over different fields, like agriculture, fire-fighting, construction and building, lifting, automotive, steel plant, heavy equipment and marine.



# QUALITY LAB

## INTERNAL LABORATORY

The main characteristic of **GEMELS S.p.A.** ball valves is the excellence in quality, which is possible thanks to the accurate selection of raw materials, staff and partners made by the management.

Moreover, in the Internal Laboratory, **GEMELS S.p.A.** qualified personnel tests the valves' lifespan, simulating critical applications and conditions with special machineries (burst test, impulse test, salt spray test, climatic room, Tridimensional check, microscope, hardness gauge, bidimensional gauge) to constantly ensure the highest quality.

QUALITY MANAGEMENT SYSTEM

ISO 9001

HEALTH & SAFETY

ISO 45001

ENVIRONMENTAL  
MANAGEMENT SYSTEMS

ISO 14001



## PRODUCTS CERTIFICATIONS

- CE PED Mod. H
- UKCA PER Mod. H
- ATEX
- FIRE SAFE
- DNV
- FUGITIVE EMISSION
- TA LUFT
- SIL 3
- EAC
- CRN

# PRODUCTION

---

## MORE THAN 60.000 VALVES PER MONTH

The production area, where **GEMELS S.p.A.** produces more than 60.000 ball valves per month, consists of more than 50 machines, including automatic numerical controlled machines and semi-automatic ones, among which CNC, lathes, transfers, boring machines, machining centres etc.



MADE IN  
ITALY





These technologies and the high qualified personnel help **GEMELS S.p.A.** to achieve the quality standards and excellence, obtaining the required technical characteristics and gaining trustworthiness in the market.



The whole production follows all the required standards, performing rigorous tests after both the production and the assembly. After that, all valves are 100% tested using specific test benches.

# MANUAL ASSEMBLING

There is the 'historical' manual assembly line for the assembly of special models and of big size ball valves up to 42".



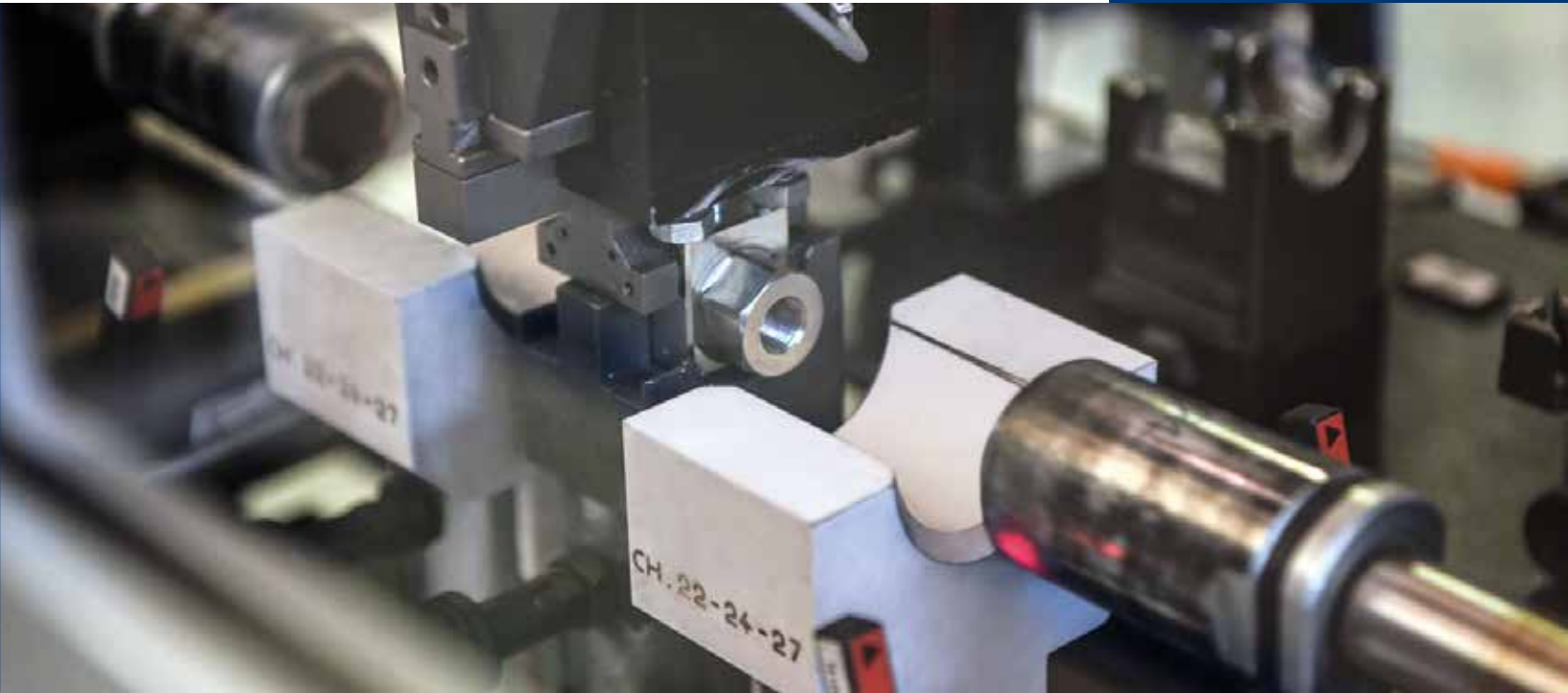
# AUTOMATIC ASSEMBLING

---

## ASSEMBLING AND TESTING LINE

To further guarantee the quality of our products, at the beginning of 2017 we installed a new automatic assembly line for the mounting and testing of the ball valves.





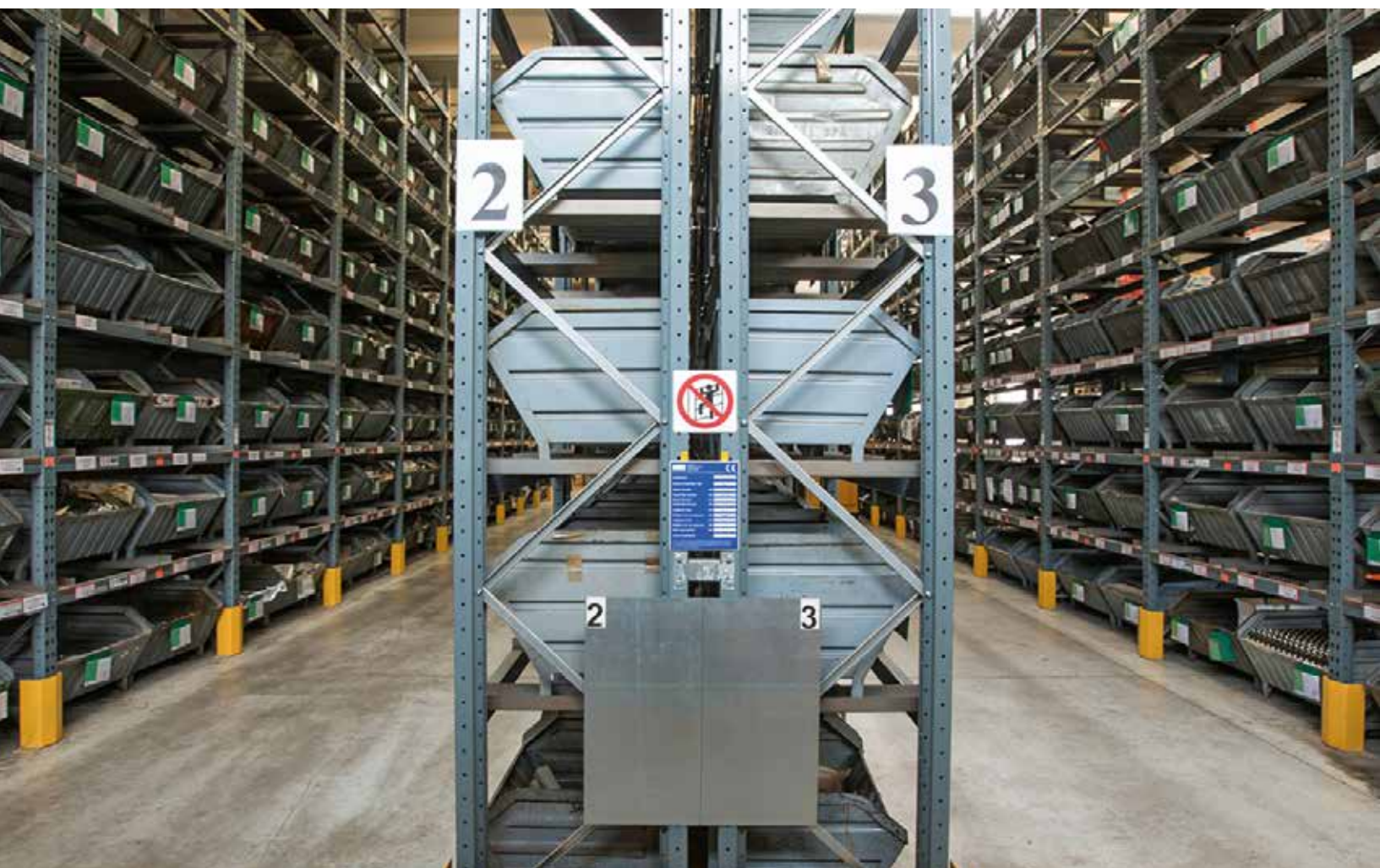
This machine permits the assembly and the relative test of all the standard valves up to 1". For each assembled valve an automatic report that shows every step of the process is made, thanks to the pictures shot by the cameras placed in each station of the machine.



# STOCK AND SHIPPING

## FAST DELIVERY

GEMELS' warehouse of 2.000 m<sup>2</sup> is divided between components and finished products. GEMELS S.p.A. is able to guarantee a wide range of products with fast delivery.





**ELECTRIC MOTORS**



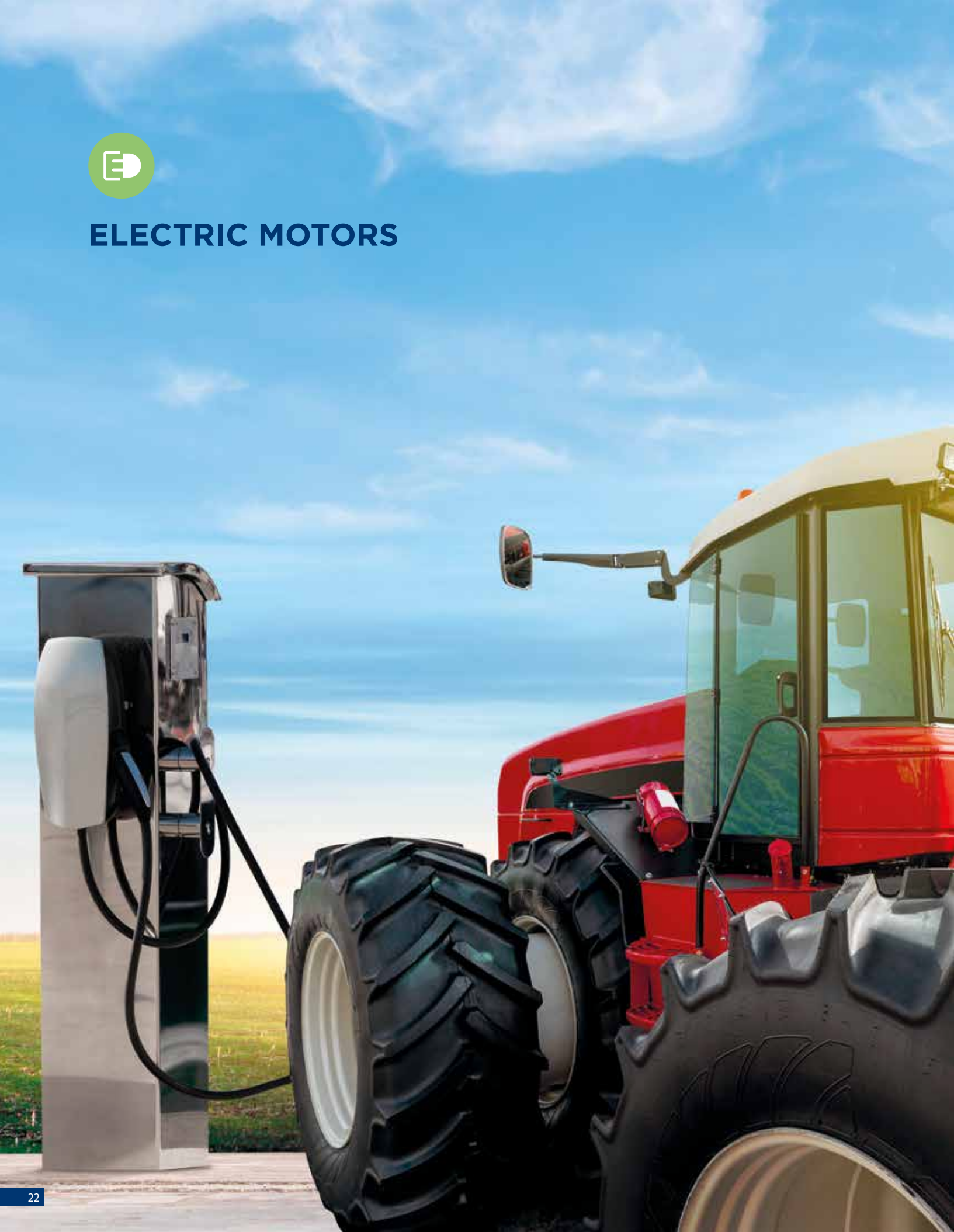
**HYDRAULIC QUICK COUPLINGS  
HYDRAULIC VALVES  
HYDRAULIC SWIVEL JOINTS**



**OIL & GAS BALL VALVES**



## ELECTRIC MOTORS





## ELECTRIC MOTORS



### GREEN POWER

Modular aluminum or steel structure

- from 2 kW to 100 kW
- from 48V to 400V
- up to 10.000 RPM

page 39



# HYDRAULIC QUICK COUPLINGS



## HYDRAULIC QUICK COUPLINGS



### MULTI COUPLINGS

page 46



### MGW (plate mounting)

- Carbon Steel and Stainless Steel
- Type: Quick couplings
- Model: MGW - Quick couplings flat face for plate mouting
- Sizes: from DN13
- Pressure: up to PN420

page 92



### FLAT FACE

- Carbon Steel and Stainless Steel
- Type: Quick Couplings
- Models: ISO 16028
- Sizes: from DN6 up to DN25
- Pressure: up to PN420

page 52



### MGW AP (plate mounting)

- Carbon Steel
- Type: Quick Couplings
- Model: MGW AP - Quick couplings flat face connection under pressure for plate mounting
- Sizes: from DN6 up to DN25
- Pressure: up to PN420

page 100



### VGF

- Carbon Steel
- Type: Quick Couplings
- Models: Flat Face Screw Coupling
- Sizes: from DN13 up to DN32
- Pressure: up to PN480

page 72



### ISO A

- Carbon Steel and Stainless Steel
- Type: Quick Couplings
- Models: ISO 7241/A
- Sizes: from DN6 up to DN50
- Pressure: up to PN420

page 104



### FFAP

- Carbon Steel
- Type: Quick Couplings
- Models: ISO 16028
- Sizes: from DN6 up to DN25
- Pressure: up to PN420

page 78



### PUSH-PULL AGRI

- Carbon Steel and Stainless Steel
- Type: Quick Couplings
- Models: ISO 7241/A  
PUSH-PULL AGRICULTURE
- Sizes: DN12,5
- Pressure: up to PN250

page 110



### FFAP PLATE CONNECTION

- Carbon Steel
- Type: Quick Couplings
- Models: ISO 16028 FLAT FACE CONNECTION UNDER PRESSURE
- Sizes: from DN10 up to DN25
- Pressure: up to PN420

page 82



### PUSH-PULL AGRI DV

- Carbon Steel and Stainless Steel
- Type: Quick Couplings
- Models: PUSH-PULL AGRI DV  
ISO 7241/A
- Sizes: DN12,5
- Pressure: up to PN250

page 114

## HYDRAULIC QUICK COUPLINGS



### PUSH-PULL

- Carbon Steel
- Type: Quick Couplings
- Models: ISO 7241/A
- Sizes: from DN10 up to DN25
- Pressure: up to PN420

page 118



### ISO B

- Carbon Steel and Stainless Steel
- Type: Quick Couplings
- Models: ISO 7241/B
- Sizes: from DN6 up to DN50
- Pressure: up to PN420

page 148



### PUSH-PULL N

- Carbon Steel
- Type: Quick Couplings
- Models: ISO 7241/A PUSH-PULL BALL ISO 5675 N
- Sizes: from DN13
- Pressure: up to PN350

page 126



### NORDIC

- Carbon Steel
- Type: Quick Couplings
- Models: Nordic type, with DV
- Sizes: from DN6 to DN25
- Pressure: up to PN400

page 154



### PUSH-PULL NV

- Carbon Steel
- Type: Quick Couplings
- Models: ISO 7241/A PUSH-PULL BALL ISO 5675 NV
- Sizes: from DN10-DN13
- Pressure: up to PN420

page 132



### N

- Carbon Steel
- Type: Quick Couplings
- Models: ISO 5675
- Sizes: from DN6 up to DN25
- Pressure: up to PN350

page 160



### VGN

- Carbon Steel
- Type: Quick Couplings
- Models: VGN ISO 5675 ISO 7241/A
- Sizes: DN12,5
- Pressure: up to PN350

page 136



### NV

- Carbon Steel
- Type: Quick Couplings
- Models: ISO 5675
- Sizes: from DN6 up to DN25
- Pressure: up to PN350

page 164



### PUSH-PULL DV

- Carbon Steel
- Type: Quick Couplings
- Models: ISO 7241/A - PUSH-PULL
- Sizes: from DN13 up to DN20
- Pressure: up to PN350

page 140



### BGF

- Carbon Steel
- Type: Quick Couplings
- Models: ISO 5676
- Sizes: from DN10 up to DN13
- Pressure: up to PN210

page 168



### VGA

- Carbon Steel and Stainless Steel
- Type: Quick Couplings
- Models: ISO 14541 Screw Couplings
- Sizes: from DN6 up to DN25
- Pressure: up to PN420

page 172



### VGB

- Carbon Steel
- Type: Quick Couplings
- Models: ISO 14540 Screw Couplings
- Sizes: from DN6 up to DN10
- Pressure: up to PN700

page 186



### VGR

- Carbon Steel
- Type: Quick Couplings
- Models: Screw-to-connect
- Sizes: from DN10 up to DN25
- Pressure: up to PN420

page 190



### DG

- Carbon Steel
- Type: Quick Couplings
- Models: ISO 15171-1
- Sizes: from DN6
- Pressure: up to PN500

page 194



### GUS

- Carbon Steel and Stainless Steel and Brass
- Type: Quick Couplings
- Models: GUS - US MARKET
- Sizes: from DN6 to DN40
- Pressure: up to PN270

page 198



### GE2 FF\*

- Carbon Steel
- Model: Ball Valve GE2 with Integrated Quick Coupling FLAT FACE
- Sizes: from DN10 up to DN25
- Pressure: up to PN420

### GE2 A\*

- Carbon Steel
- Model: Ball Valve GE2 with Integrated Quick Coupling ISO A
- Sizes: from DN10 up to DN25
- Pressure: up to PN420

### GE2 PP\*

- Carbon Steel
- Model: Ball Valve GE2 with Integrated Quick Coupling PUSH-PULL
- Sizes: from DN10 up to DN25
- Pressure: up to PN420

### GE2 VGA\*

- Carbon Steel
- Model: Ball Valve GE2 with Integrated Quick Coupling VGA
- Sizes: from DN10 up to DN25
- Pressure: up to PN420

\* patent

page 202



### GV2/GV3

- Carbon Steel
- Model: Ball Valve GV2 with Integrated Quick Coupling FLAT FACE
- Sizes: from DN10 up to DN32
- Pressure: up to PN500

- Model: Ball Valve GV2 with Integrated Quick Coupling VGF
- Sizes: from DN10 up to DN32
- Pressure: up to PN500

page 218



# HYDRAULIC BALL VALVES



## HYDRAULIC BALL VALVES



### CUSTOMIZED LEAN SOLUTION

page 230



### GEM

- Carbon Steel and Stainless Steel
- Type: ball valve 2 way
- Sizes: DN6
- Ends: BSP-NPT-SAE
- Pressure: up to PN500

page 270



### GH2

- Stainless Steel
- Type: ball valve 2 way high cycles
- Sizes: from DN6 up to DN25
- Ends: BSP-NPT-SAE
- Pressure: up to PN1000



page 264



### GE1

- Carbon Steel
- Type: ball valve 2 way
- Sizes: from DN6 up to DN13
- Ends: BSP-NPT-SAE
- Pressure: up to PN500

page 274


**GE2**

- Carbon Steel and Stainless Steel
- Type: ball valve 2 way
- Sizes: from DN6 up to DN25
- Ends: BSP-NPT-SAE-DIN
- Pressure: up to PN500

page 278


**GE5**

- Carbon Steel
- Type: ball valve 3 way
- Sizes: from DN6 up to DN13
- Ends: BSP-NPT-SAE
- Pressure: up to PN500

page 314


**GE2 HC**

- Carbon Steel and Stainless Steel
- Type: ball valve 2 way high cycles
- Sizes: from DN6 up to DN32
- Ends: BSP-NPT-SAE
- Pressure: up to PN500

page 286


**GE3K**

- Carbon Steel and Stainless Steel
- Type: ball valve 3 way special seats, zero leakage
- Sizes: from DN6 up to DN25
- Ends: BSP-NPT-SAE
- Pressure: up to PN500

page 318


**GE3L**

- Carbon Steel and Stainless Steel
- Type: ball valve 3 way
- Sizes: from DN6 up to DN25
- Ends: BSP-NPT-SAE-DIN
- Pressure: up to PN500

page 294


**GEF**

- Carbon Steel and Stainless Steel
- Type: ball valve 2 way
- Sizes: from DN13 up to DN25
- Ends: ISO6162-1/-2 SAEJ518-1/-2
- Pressure: up to PN420 / S6000

page 322


**GE3T**

- Carbon Steel and Stainless Steel
- Type: ball valve 3 way (T scheme)
- Sizes: from DN6 up to DN25
- Ends: BSP-NPT-SAE-DIN
- Pressure: up to PN500

page 302


**GES**

- Carbon Steel and Stainless Steel
- Type: ball valve 2 way
- Sizes: from DN13 up to DN25
- Ends: SAE J518
- Pressure: up to PN420 / S6000

page 326


**GE3 HC**

- Carbon Steel and Stainless Steel
- Type: ball valve 3 way high cycles
- Sizes: from DN10 up to DN25
- Ends: BSP-NPT-SAE
- Pressure: up to PN500

page 310


**GEF-S**

- Carbon Steel and Stainless Steel
- Type: ball valve 2 way
- Sizes: from DN13 up to DN25
- Ends: ISO6162-1/-2 SAEJ518-1/-2
- Pressure: up to PN420 / S6000

page 330

## HYDRAULIC BALL VALVES



### GB1

- Carbon Steel and Stainless Steel
- Type: forged ball valve 2 way
- Sizes: from DN32 up to DN50
- Ends: BSP-NPT-SAE
- Pressure: up to PN420

page 334



### GVS

- Carbon Steel
- Type: ball valve 2 way
- Sizes: from DN13 up to DN32
- Ends: ISO6162-1/-2 (SAE J518)
- Pressure: up to PN420 / S3000-S6000

page 356



### GB3

- Carbon Steel and Stainless Steel
- Type: ball valve 3 way
- Sizes: from DN32 up to DN50
- Ends: BSP-NPT
- Pressure: up to PN350

page 340



### GVS Flanged

- Carbon Steel
- Type: ball valve 2 way (panel mounting)
- Sizes: from DN13 up to DN32
- Ends: ISO6162-1/-2 (SAE J518)
- Pressure: up to PN420 / S3000-S6000

page 360



### GBF

- Carbon Steel and Stainless Steel
- Type: forged ball valve 2 way
- Sizes: from DN32 up to DN50
- Ends: ISO6162-1/-2, SAEJ518-1/-2
- Pressure: up to PN420 / S6000

page 344



### GV2

- Carbon Steel
- Type: ball valve 2 way
- Sizes: from DN6 up to DN32
- Ends: BSP-NPT-SAE / ISO6162-1
- Pressure: up to PN500 / S6000

page 364



### GBS

- Carbon Steel and Stainless Steel
- Type: forged ball valve 2 way
- Sizes: from DN32 up to DN50
- Ends: SAE J518
- Pressure: up to PN420 / S6000

page 348



### GV3

- Carbon Steel
- Type: ball valve 3 way
- Sizes: from DN6 up to DN32
- Ends: BSP-NPT-SAE / ISO6162-1
- Pressure: up to PN500 / S6000

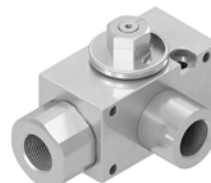
page 368



### GBF-S

- Carbon Steel and Stainless Steel
- Type: forged ball valve 2 way
- Sizes: from DN32 up to DN50
- Ends: ISO6162-1/-2, SAEJ518-1/-2
- Pressure: up to PN420 / S6000

page 352



### GV3K

- Carbon Steel
- Type: ball valve 3 way special seats, zero leakage
- Sizes: from DN10 up to DN20
- Ends: BSP-NPT-SAE / ISO6162-1
- Pressure: up to PN500 / S6000

page 372




**G3K**

- Carbon Steel
- Type: ball valve 3 way
- Sizes: from DN6 up to DN25
- Ends: BSP-NPT
- Pressure: up to PN500

page 376


**GRS**

- Carbon Steel and Stainless Steel
- Type: ball valve 2 way
- Sizes: from DN13 up to DN125
- Ends: ISO6162-1 / ISO6162 (SAE J518)
- Pressure: up to PN420 / S6000

page 396


**G4K**

- Carbon Steel
- Type: ball valve 4 way
- Sizes: from DN6 up to DN25
- Ends: BSP-NPT
- Pressure: up to PN500

page 380


**GHP**

- Carbon Steel and Stainless Steel
- Type: ball valve 2 way
- Sizes: from DN13 up to DN100
- Ends: BSP-NPT
- Pressure: up to PN370

page 402


**GPK2**

- Carbon Steel
- Type: manifold
- Sizes: from DN6 up to DN50
- Ends: Drilling pattern Gemels
- Pressure: up to PN500

page 384


**KITS**

- Locking
- Handles
- Pneumatic&Electric Actuators
- Limit Switch

page 537


**GPK3**

- Carbon Steel
- Type: manifold
- Sizes: from DN6 up to DN50
- Ends: Drilling pattern Gemels
- Pressure: up to PN500

page 388


**TECH**

page 595


**GRC**

- Carbon Steel and Stainless Steel
- Type: ball valve 2 way
- Sizes: from DN25 up to DN125
- Ends: ISO6164 (CETOP)
- Pressure: up to PN420 / S6000

page 392



# HYDRAULIC VALVES



## HYDRAULIC VALVES



### VOSE

- Carbon Steel
- Type: Single Effect Overcenter Valve
- Sizes: DN6-DN20
- Ends: BSP-NPT-SAE
- Pressure: up to PN350

page 408



### VBP

- Carbon Steel

### VBPSE

- Type: single pilot operated check valves
- Sizes: from DN6 up to DN50
- Ends: BSP
- Pressure: up to PN350

### VBPDE

- Type: double pilot operated check valves
- Sizes: from DN6 up to DN50
- Ends: BSP
- Pressure: up to PN350

### VBPDE CEXC

- Type: double pilot operated check valves
- Sizes: from DN6 up to DN50
- Ends: BSP
- Pressure: up to PN350"

page 424



### VODE

- Carbon Steel
- Type: Double Effect Overcenter Valve
- Sizes: DN6-DN20
- Ends: BSP-NPT-SAE
- Pressure: up to PN350

page 412



### VRC

- Carbon Steel
- Type: Direct Acting Relief Valve with Manifold
- Sizes: DN6-DN10
- Ends: BSP-NPT-SAE
- Pressure: up to PN350

page 416



### RFM/BDM

- Carbon Steel
- Type: flow regulator barrel
- Sizes: from DN6 up to DN25
- Ends: BSP
- Pressure: up to PN350

page 428



### VRM

- Carbon Steel
- Type: Relief Valve in Manifold with Manometer Port
- Sizes: DN10-DN13-DN20
- Ends: BSP-NPT-SAE
- Pressure: up to PN350

page 420



### RF

- Carbon Steel
- Type: check valve flow control
- Sizes: from DN6 up to DN40
- Ends: BSP-NPT
- Pressure: up to PN400

page 430



### BD

- Carbon Steel
- Type: reduce flow control B-directional
- Sizes: from DN6 up to DN40
- Ends: BSP-NPT
- Pressure: up to PN400

page 434

**HYDRAULIC VALVES**



**VU**

- Carbon Steel and Stainless Steel
- Type: check valve
- Sizes: from DN6 up to DN50
- Ends: BSP-NPT-SAE
- Pressure: up to PN500

page 438



**GSJ**

- Carbon Steel
- Type: swivel joint in line
- Sizes: from DN6 up to DN32
- Ends: BSP- NPT (on request)
- Pressure: up to PN420

page 456



**VUF/VUS**

- Carbon Steel and Stainless Steel
- Type: check valve
- Sizes: from DN13 up to DN50
- Ends: SAE
- Pressure: up to PN420

page 442



**SJ**

- Carbon Steel
- Type: swivel joint / at 90°
- Sizes: from DN6 up to DN50
- Ends: BSP- NPT (on request)
- Pressure: up to PN400

page 462



**GEV**

- Carbon Steel
- Type: shuttle valve 3 way
- Sizes: from DN6 up to DN25
- Ends: BSP-NPT-SAE
- Pressure: up to PN500

page 446



**SJ HD**

- Carbon Steel
- Type: swivel joint HD / in line
- Sizes: from DN13 up to DN32
- Ends: BSP - UNF/SAE (on request)
- Pressure: up to PN400

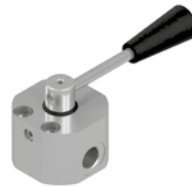
page 466



**GPS**

- Carbon Steel
- Type: 3-ways single pilot operated check valves with zinc-plated steel body
- Sizes: from DN6 up to DN25
- Ends: BSP
- Pressure: up to PN400

page 450



**DDF3-A**

- Carbon Steel
- Type: 3 ways flow diverters
- Pressure: up to PN500
- Treatments: Galvanized

page 468



**VB VUBA**

- Carbon Steel
- Type: hose break valve
- Sizes: from DN6 up to DN25
- Ends: BSP-NPT-SAE
- Pressure: up to PN350
- VB**F Female insert
- VBM** Male insert

page 452



**DDF6-A**

- Type: 6 ways flow diverters
- Pressure: up to PN500
- Treatments: Galvanized

page 470



**DDF**

- Cast Iron
- Type: 3 ways flow dividers
- Pressure: up to PN300

page 472



**KITS**

- Locking
- Handles
- Pneumatic&Electric Actuators
- Limit Switch

page 537



**HSJ**

- Type: HYDRAULIC SWIVEL JOINTS
- Sizes: from 2WAY up to 22WAY
- Ends: BSP, NPT, SAE, flange
- Pressure: up to PN420

page 474



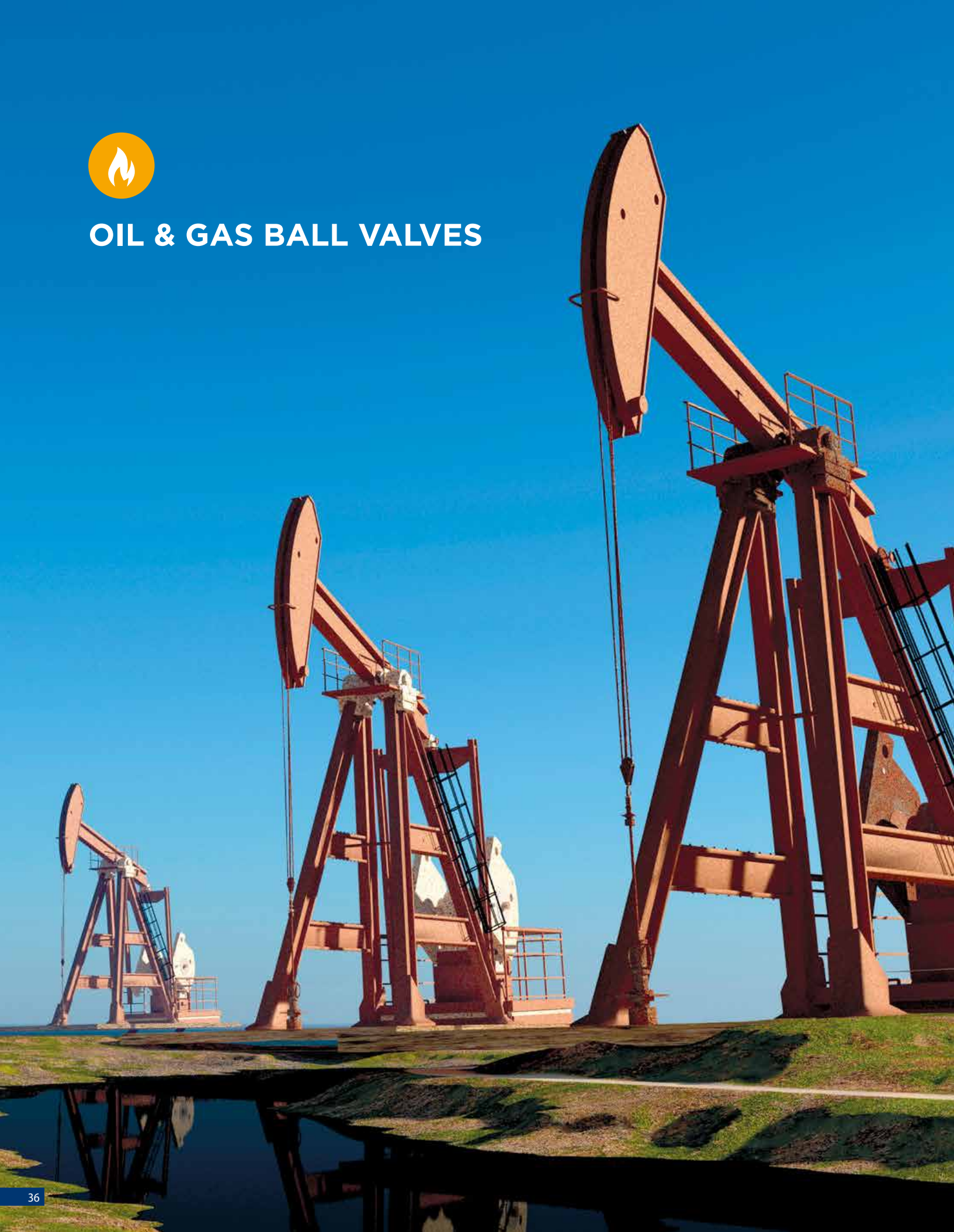
**TECH**

page 595





# OIL & GAS BALL VALVES



**OIL & GAS BALL VALVES**

**GN**

- Carbon Steel and Stainless Steel
- Type: ball valve 2way
- Sizes: from DN6 up to DN50
- Ends: BSP-NPT-SW-SWXT -PE BW
- Pressure: up to PN500 / S6000

page 480


**SBT**

- CS, SS, DSS, ALLOY (Forged)
- Type: ball valve Split Body Trunion
  - Sizes: from DN20 up to DN900
  - Pressure: ANSI 150-2500

page 514


**GM**

- Carbon Steel and Stainless Steel
- Type: ball valve 2way
- Sizes: from DN6 up to DN100
- Ends: BSP-NPT-SW-SWXT -PE BW
- Pressure: up to PN500 / S3000

page 492


**DBB**

- CS, SS, DSS, ALLOY (Forged)
- Type: ball valve Double Block and Bleed
  - Sizes: from DN13 up to DN200
  - Pressure: ANSI 150-2500

page 528


**SBF-W**

- CS, SS, DSS, ALLOY (Forged)
- Type: ball valve Split Body Floating-Wafer type
  - Sizes: from DN13 up to DN150
  - Pressure: ANSI150-600

page 500


**KITS**

- Locking
- Handles
- Pneumatic&Electric Actuators
- Limit Switch

page 537


**SBF**

- CS, SS, DSS, ALLOY (Forged)
- Type: ball valve Split Body Floating
  - Sizes: from DN13 up to DN150
  - Pressure: ANSI 150-2500

page 504


**TECH**

page 595







## ELECTRIC POWER SUPPLY

**GEMELS** series of electric motors, designed and produced in Italy, consists in AC three-phase torque motors, available in different models with power from 2 kW to 100 kW, from 48V to 400V, and up to 10.000 RPM.

Motors can be designed for traction solutions, Hydraulic power units (pump interfaces) and with standard flanges (IEC/NEMA), air and liquid cooling, power cables with motor connection box or directly connected to the winding.

# ELECTRIC



# ELECTRIC MOTORS

Edition. 21.0

## CUSTOMIZED ON REQUEST

- **HIGHEST RELIABILITY**

High safety and trustworthy products that operate in a defined environment without failure.

- **GREEN POWER SUPPLY**

A subset of renewable energy to provide the highest environmental benefit.

- **COMPACT DIMENSIONS**

Small, compatible and suitable products.

- **ENERGY SAVING**

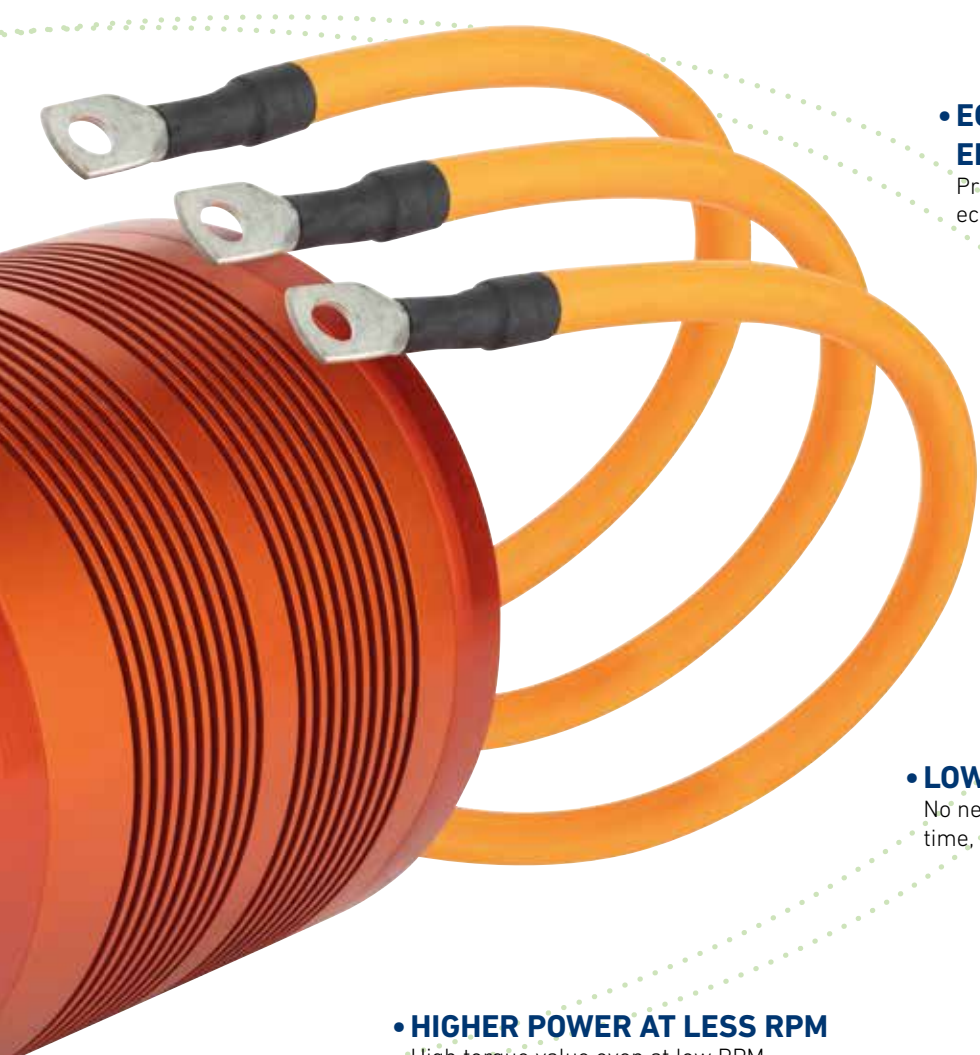
Products with a sensible reduction on consumption of energy to have higher life's quality.



[360.gemels.it](http://360.gemels.it)



ABOVE SIZES AND POWER  
ACCORDING TO REQUEST



• **ECOLOGICAL ENVIRONMENTAL IMPACT**

Products focused on prevent of the ecological impact on world environment.

• **NOISE REDUCTION AND EMISSIONS-FREE**

Products without waste of pollution in the environment.

• **LOW-MAINTENANCE**

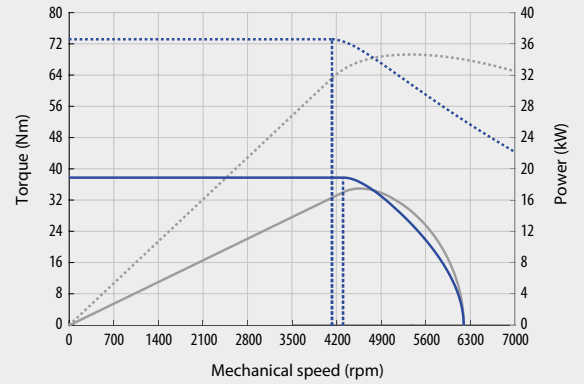
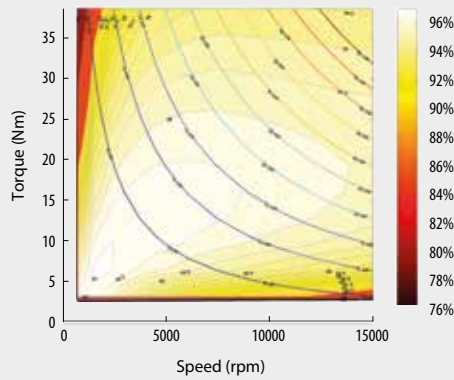
No necessity to do big maintenance, efforts, time, on the plant.

• **HIGHER POWER AT LESS RPM**

High torque value even at low RPM.

Diagrams

EFFICIENCY MAP



TECHNICAL DATA

TYPE	Rated power (kW) at 48Vdc 2000RPM	Rated power (kW) at 72Vdc 3000RPM	Rated power (kW) at 96Vdc 4000RPM	Rated torque (Nm)	Cooling	IP
GEPG05_04K	2 kW	3 kW	4 kW	10 Nm	AIR / liquid +75% torque power value	IP54 (on request IP67)
GEPG05_06K	3 kW	4,5 kW	6 kW	15 Nm	AIR / liquid +75% torque power value	IP54 (on request IP67)
GEPG_H_06K available with Hydraulic Pump	3 kW	4,5 kW	6 kW	15 Nm	AIR / liquid +75% torque power value	IP54 (on request IP67)
GEPG05_10K	5 kW	7 kW	10 kW	23 Nm	AIR / liquid +75% torque power value	IP54 (on request IP67)
GEPG05_16K	8 kW	12 kW	16 kW	38 Nm	AIR / liquid +75% torque power value	IP54 (on request IP67)
GEPG_H_16K available with Hydraulic Pump	8 kW	12 kW	16 kW	30 Nm	AIR / liquid +75% torque power value	IP54 (on request IP67)
GEPG05_12K	6 kW	9 kW	11,5 kW	28 Nm	LIQUID	IP54 (on request IP67)
GEPG05_16K	8 kW	11,5 kW	15,5 kW	37 Nm	LIQUID	IP54 (on request IP67)
GEPG05_20K	10 kW	14,5 kW	19,5 kW	47 Nm	LIQUID	IP54 (on request IP67)
GEPG05_24K	12 kW	18 kW	24 kW	58 Nm	LIQUID	IP54 (on request IP67)
GEPG05_36K	18,5 kW	24 kW	36 kW	88 Nm	LIQUID	IP54 (on request IP67)
GEPG05_42K	21 kW	32 kW	42 kW	100 Nm	LIQUID	IP54 (on request IP67)

Technical features: Modular aluminium or steel structure from 2kW to 42kW suitable for services HYDRAULIC UNITS 0-8000 RPM 48-400 Volt

Customized on request	Modular aluminium or steel structure from 42kW to 50kW suitable for services - HEAVY HANDLING 0-10000 RPM / 96 - 400 Volt
	Modular aluminium or steel structure from 50kW to 100kW suitable for traction - HEAVY TRACTION 0-10000 RPM / 400 Volt

# NEW PROJECT FOR GREEN POWER

...COMING SOON

A photograph of a woman holding a young child in her arms. They are standing in a field with several wind turbines in the background. The sun is low on the horizon, creating a bright, golden glow and lens flare effects. The woman is wearing a light-colored top, and the child is wearing a light-colored dress. The overall mood is peaceful and hopeful, representing green energy and a sustainable future.

READY TO GO  
GEMELS ELECTRICAL





## QUICK COUPLINGS FOR DIFFERENT APPLICATIONS

**GEMELS**, known all over the world in the hydraulic and industrial field, always increases its range of products. For this reason, together with valves, **GEMELS** produces quick couplings for a large sector, such as agriculture. At the beginning, starting with ISO 7241 / A, ISO 7241 / B, ISO 16028 FLAT FACE, then to models such as ISO 5675 N and NV, PUSH-PULL, BULKHEAD, FLAT FACE CONNECTION UNDER PRESSURE and many others.



# QUICK COUPLINGS

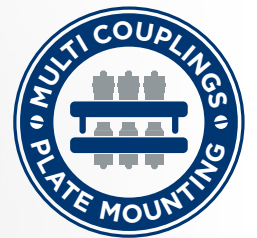


# MULTI COUPLINGS

Edition. 21.1

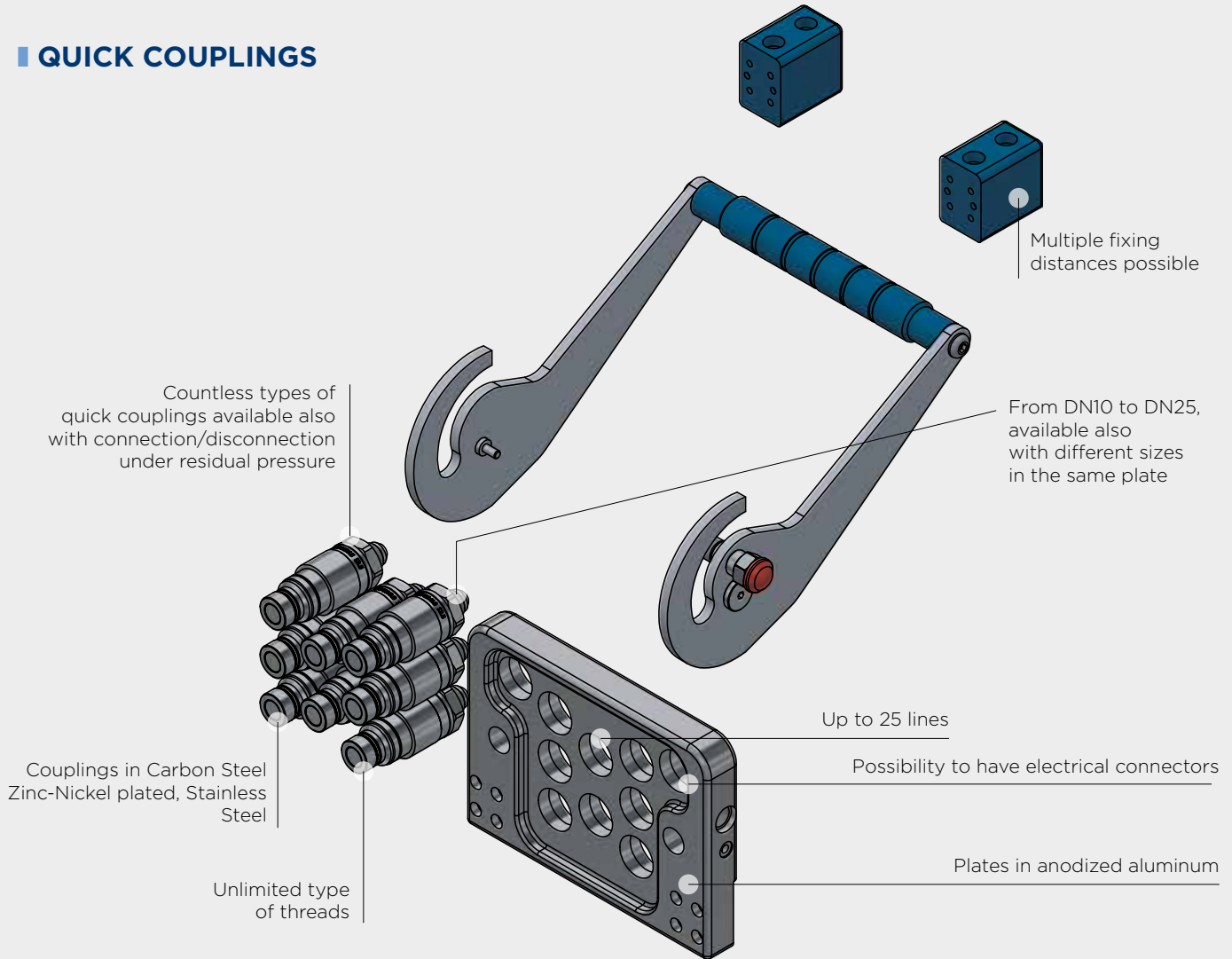


Gemels MULTI COUPLINGS allow connection and disconnection of many hydraulic, electrical and pneumatic lines. They are studied to save time of the operators, reduce spaces and contamination of circuits. In addition, facilitate movements and guarantee lower maintenance. The system can have flat face couplings designed for different application.





QUICK COUPLINGS



QUICK COUPLINGS PLATE MOUNTING



**FFAP - PLATE CONNECTION**

Application: Excavator/Earth Moving

Size: from DN10 to DN25

Page: 84



**MGW AP - Quick couplings flat face connection under pressure for plate mounting**

Application: Agriculture/Industrial

Size: from DN10 to DN25

Page: 102



**MGW - Quick couplings flat face for plate mounting**

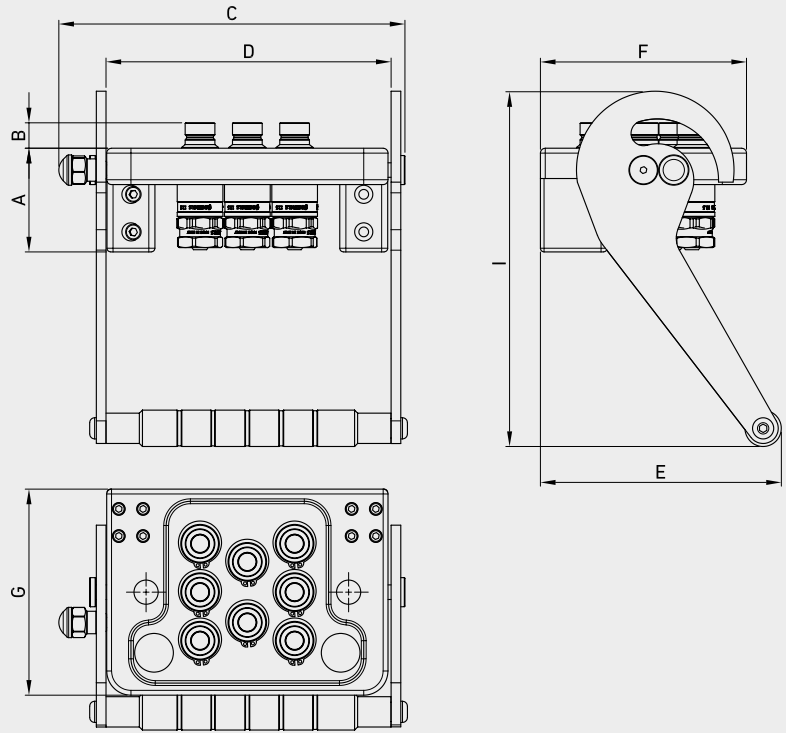
Application: Industrial/Cooling

Size: from DN13

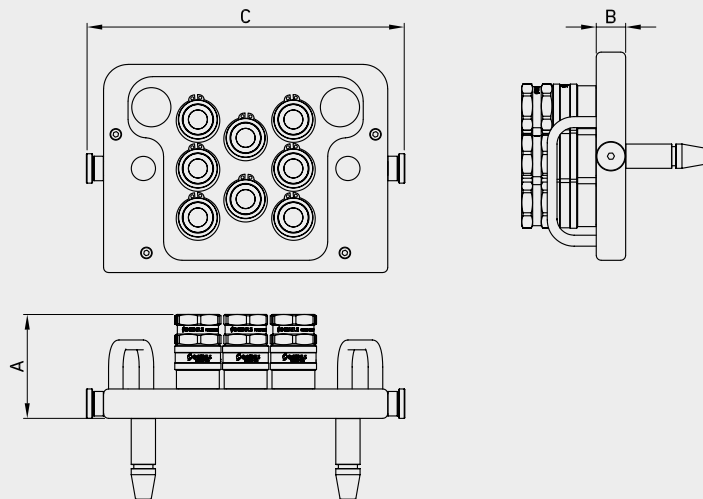
Page: 94

MULTI COUPLINGS

HYDRAULIC QUICK COUPLINGS

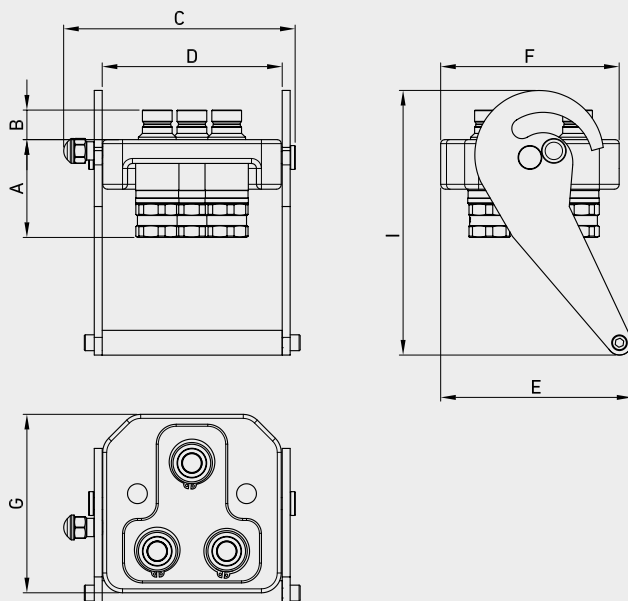


TYPE	DN	A	C	D	G	B	F	I	E	WEIGHT	
MULTI COUPLINGS n.8 MGW AP MALE	12,5	mm	85,5	283	232	170	21	160	292	193	kg 10,6
		inch	3,37	11,14	9,13	6,69	0,83	6,30	11,50	7,60	lb 23,37



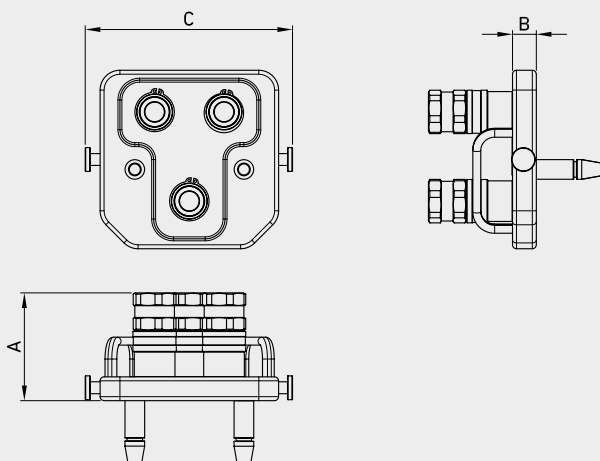
TYPE	DN	A	C	B	WEIGHT	
MULTI COUPLINGS n.8 MGW AP FEMALE	12,5	mm	87	260	24	kg 5,9
		inch	3,43	10,24	0,94	lb 13,01





For further technical details  
please contact us  
at [gemels@gemels.it](mailto:gemels@gemels.it).

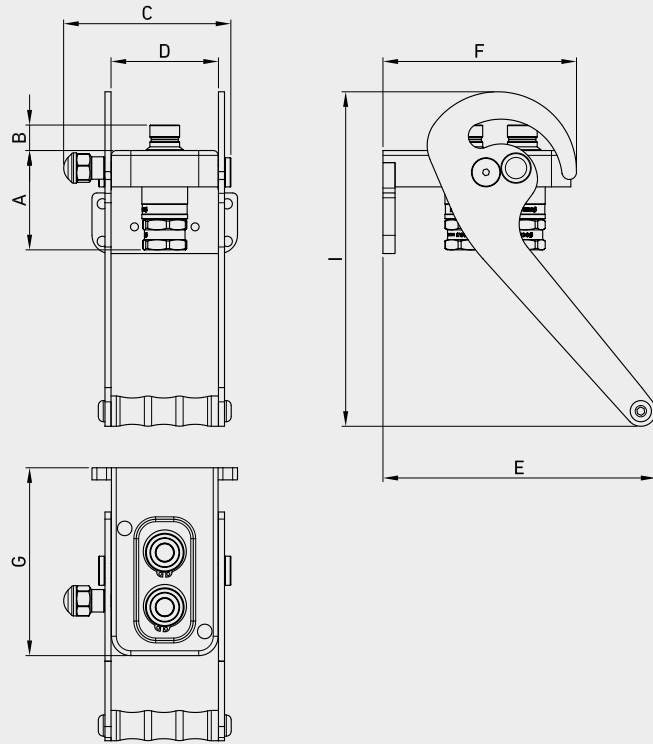
TYPE	DN	A	C	D	G	B	F	I	E	WEIGHT	
MULTI COUPLINGS n.3 MGW AP MALE	19	mm	98	232	185	180	30	160	260	193	kg 7,8
		inch	3,86	9,13	7,28	7,09	1,18	6,30	10,24	7,60	lb 17,20



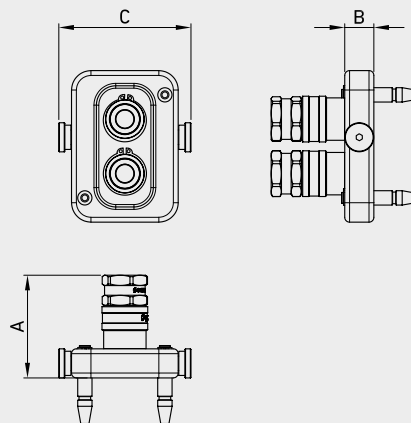
TYPE	DN	A	C	B	WEIGHT	
MULTI COUPLINGS n.3 MGW AP FEMALE	12,5	mm	109	207	24	kg 4
		inch	4,29	8,15	0,94	lb 8,82

MULTI COUPLINGS

HYDRAULIC QUICK COUPLINGS

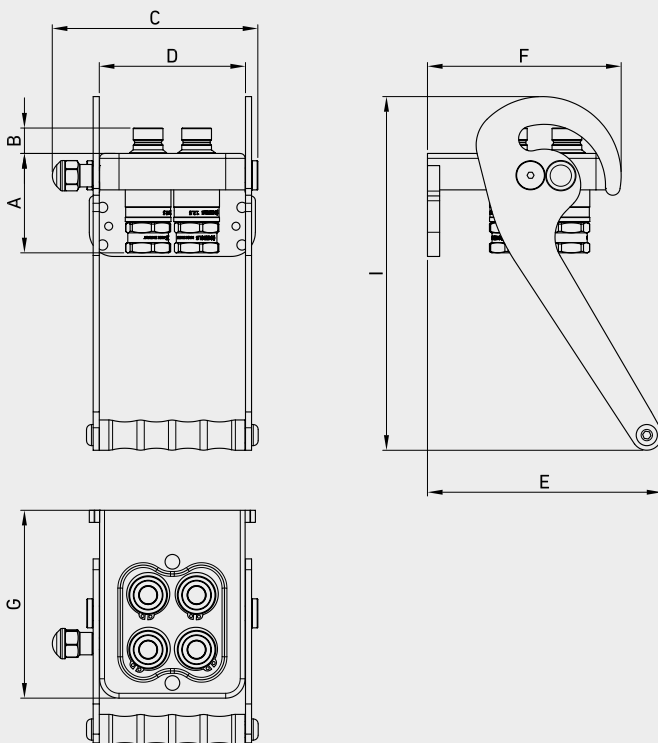


TYPE	DN	A	C	D	G	B	F	I	E	WEIGHT	
MULTI COUPLINGS n.2 MGW AP MALE	12,5	mm	82	138	89	155	21	160	292	193	kg 3,4
		inch	3,23	5,43	3,50	6,10	0,83	6,30	11,50	7,60	lb 7,50



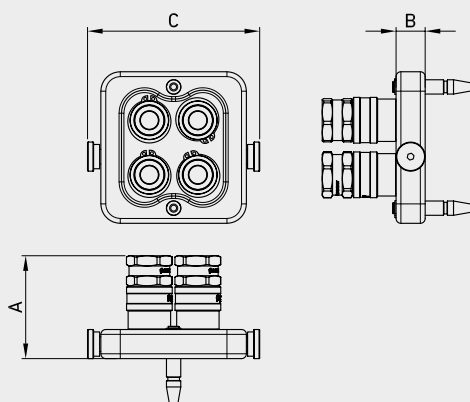
TYPE	DN	A	C	B	WEIGHT	
MULTI COUPLINGS n.2 MGW AP FEMALE	12,5	mm	85	109	24	kg 2,5
		inch	3,35	4,29	0,94	lb 5,51





For further technical details  
please contact us  
at [gemels@gemels.it](mailto:gemels@gemels.it).

TYPE	DN	A	C	D	G	B	F	I	E	WEIGHT	
MULTI COUPLINGS n.4 MGW AP MALE	12,5	mm	82	169,6	120,6	155	21	160	292	193	kg 5,4
		inch	3,23	6,68	4,75	6,10	0,83	6,30	11,50	7,60	lb 11,90



TYPE	DN	A	C	B	WEIGHT	
MULTI COUPLINGS n.4 MGW AP FEMALE	12,5	mm	85	141	24	kg 3,78
		inch	3,35	5,55	0,94	lb 8,33



# FLAT FACE

ISO 16028 - FLAT FACE

Available other different threads on request

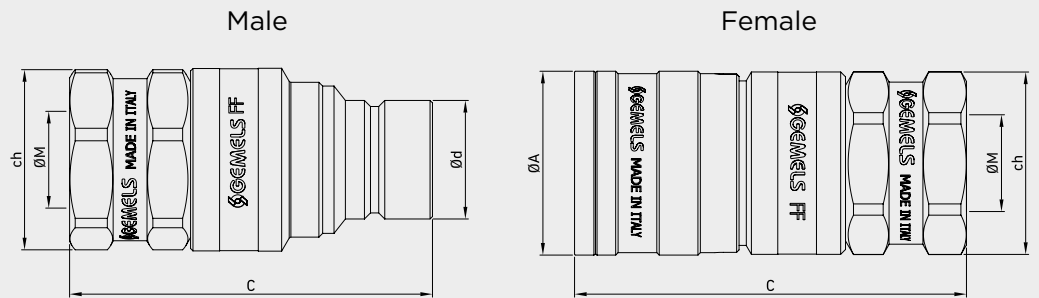
Edition. 21.5

## CS Carbon Steel

- Type: Quick Couplings
- Models: ISO 16028 FLAT FACE
- Sizes: from DN6 to DN25
- Pressure: up to PN420
- Treatment: Zinc-Nickel

## SS Stainless Steel

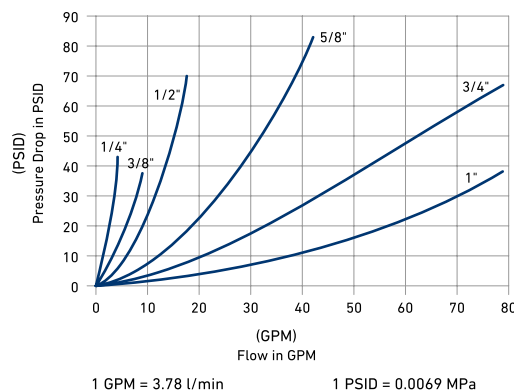
- Type: Quick Couplings
- Models: ISO 16028 FLAT FACE
- Sizes: from DN6 to DN25
- Pressure: up to PN420



Available also in patented version: ball valve with integrated quick coupling.

### Performance

(1/4", 3/8", 1/2", 5/8", 3/4", 1")  
 Series (1/4", 3/8", 1/2", 5/8", 3/4", 1")  
 200SUS (Test Fluid: Oil-200SUS)



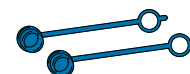


**CODE DESCRIPTION STRUCTURE**

									QC	G1/2	M/F	DN12,5	1	B
<b>Type of coupling</b>									ISO 16028 FF					
<b>Ends</b>														
ISO 1179-1 BSPP	ISO 8434-6 BSPP	ASME B1.20.1 NPT	ISO 11926-1 (SAE J1926-1) ORB	ISO 8434-1-S (DIN 2353)	ISO 8434-1-L (DIN 2353)	ISO 8434-1-S (DIN 2353) BULKHEAD	ISO 8434-1-L (DIN 2353) BULKHEAD	8434-2 (SAE J514) JIC						
G 1/4	G 1/4	N 1/4	SAE4	8S	8L	8S	8L	J 3/8						
G 3/8	G 3/8	N 3/8	SAE6	12S	10L	12S	10L	J 5/8						
G 1/2	G 1/2	N 1/2	SAE12	16S	12L	16S	12L	J 1/2						
G 3/4	G 3/4	N 3/4	SAE16	25S	15L	20S	15L	J 3/4						
G 1	G 1	N 1	SAE20		18L	25S	18L	J 1						
G 1 1/4	G 1 1/4	N 1 1/4	SAE24											
<b>MALE</b>														
<b>FEMALE</b>														
<b>DN/ISO</b>														
6,3														
10														
12,5														
16														
19														
25														
<b>Body Material</b>														
● 1 = 1,0737														
● 4 = 1,4404														
<b>Seal material</b>														
● B = NBR E = FKM*														
● E = FKM														

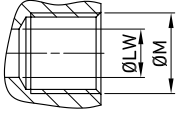
\*On request

- Plugs
- Caps



Available colours:

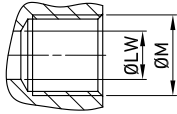
- Blue
- Yellow
- Red
- Green



**QUICK COUPLINGS ISO 16028 FLAT FACE (male / female)  
FEMALE THREAD ISO 1179-1 BSPP**

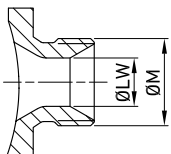
										CS Carbon Steel											CS Carbon Steel
TYPE	DN	PN	ØA	C	Ød	ch	ØM	WEIGHT	ITEM CODE	TYPE	DN	PN	ØA	C	Ød	ch	ØM	WEIGHT	ITEM CODE		
QC FF G 1/4 MALE	6.3	MPa 42	mm - 48	16,15	24	G1/4		kg 0,09	NC05G010000	QC FF G 3/4 MALE	19	MPa 35	mm - 88,5	29,95	41	G3/4		kg 0,48	NC05G040005		
		Psi 6090	inch - 1,89	0,64	0,94			Psi 5075				inch - 3,48	1,18	1,61	lb 1,06						
QC FF G 1/4 FEMALE	6.3	MPa 42	mm 27	61,5	- 24	G1/4		kg 0,151	NC06G010000	QC FF G 3/4 FEMALE	19	MPa 35	mm 44	99	- 41	G3/4		kg 0,78	NC06G040005		
		Psi 6090	inch 1,06	2,42	- 0,94			Psi 5075				inch 1,73	3,90	- 1,61	lb 1,72						
QC FF G 3/8 MALE	10	MPa 42	mm - 65,5	19,75	30	G3/8		kg 0,11	NC05G020000	QC FF G 1 MALE	19	MPa 35	mm - 92	29,95	41	G1		kg 0,436	NC05G050000		
		Psi 6090	inch - 2,58	0,78	1,18			Psi 5075				inch - 3,62	1,18	1,61	lb 0,96						
QC FF G 3/8 FEMALE	10	MPa 42	mm 31	75	- 30	G3/8		kg 0,29	NC06G020000	QC FF G 1 FEMALE	19	MPa 35	mm 44	103	- 41	G1		kg 0,733	NC06G050000		
		Psi 6090	inch 1,22	2,95	- 1,18			Psi 5075				inch 1,73	4,06	- 1,61	lb 1,62						
QC FF G 1/2 MALE	10	MPa 42	mm - 69,5	19,75	30	G1/2		kg 0,13	NC05G030000	QC FF G 1 MALE	25	MPa 35	mm - 100	36	50	G1		kg 0,58	NC05G050002		
		Psi 6090	inch - 2,74	0,78	1,18			Psi 5075				inch - 3,94	1,42	1,97	lb 1,28						
QC FF G 1/2 FEMALE	10	MPa 42	mm 31	79	- 30	G1/2		kg 0,25	NC06G030000	QC FF G 1 FEMALE	25	MPa 35	mm 54,5	100	- 50	G1		kg 1,25	NC06G050002		
		Psi 6090	inch 1,22	3,11	- 1,18			Psi 5075				inch 2,15	3,94	- 1,97	lb 2,76						
QC FF G 1/2 MALE	12.5	MPa 42	mm - 75	24,5	34	G1/2		kg 0,317	NC05G030003	QC FF G 1 1/4 MALE	25	MPa 35	mm - 103	36	50	G1 1/4		kg 0,696	NC05G060000		
		Psi 6090	inch - 2,95	0,96	1,34			Psi 5075				inch - 4,06	1,42	1,97	lb 1,53						
QC FF G 1/2 FEMALE	12.5	MPa 42	mm 38	81	- 34	G1/2		kg 0,377	NC06G030003	QC FF G 1 1/4 FEMALE	25	MPa 35	mm 54,5	103	- 50	G1 1/4		kg 1,323	NC06G060000		
		Psi 6090	inch 1,50	3,19	- 1,34			Psi 5075				inch 2,15	4,06	- 1,97	lb 2,92						
QC FF G 3/4 MALE	12.5	MPa 42	mm - 77,5	24,5	34	G3/4		kg 0,291	NC05G040000	QC FF G 1 1/2 MALE	25	MPa 35	mm - 103	36	55	G1 1/2		kg 0,75	NC05G070000		
		Psi 6090	inch - 3,05	0,96	1,34			Psi 5075				inch - 4,06	1,42	2,17	lb 1,65						
QC FF G 3/4 FEMALE	12.5	MPa 42	mm 38	85	- 34	G3/4		kg 0,411	NC06G040000	QC FF G 1 1/2 FEMALE	25	MPa 35	mm 54,5	103	- 55	G1 1/2		kg 1,53	NC06G070000		
		Psi 6090	inch 1,50	3,33	- 1,34			Psi 5075				inch 2,15	4,06	- 2,17	lb 3,37						
QC FF G 1/2 MALE	16	MPa 35	mm - 80	27	41	G1/2		kg 0,4	NC05G030004	ABOVE ISO 25 G 1.1/2" : ON REQUEST											
Psi 5075		inch - 3,15	1,06	1,61	lb 0,88																
QC FF G 1/2 FEMALE	16	MPa 35	mm 42	87	- 41	G1/2		kg 0,52	NC06G030004												
Psi 5075		inch 1,65	3,43	- 1,61	lb 1,15																
QC FF G 5/8 MALE	16	MPa 35	mm - 81	27	41	G5/8		kg 0,35	NC05GA30000												
Psi 5075		inch - 3,19	1,06	1,61	lb 0,77																
QC FF G 5/8 FEMALE	16	MPa 35	mm 42	88	- 41	G5/8		kg 0,49	NC06GA30000												
Psi 5075		inch 1,65	3,46	- 1,61	lb 1,08																
QC FF G 3/4 MALE	16	MPa 35	mm - 83,5	27	41	G3/4		kg 0,3	NC05G040004												
Psi 5075		inch - 3,29	1,06	1,61	lb 0,66																
QC FF G 3/4 FEMALE	16	MPa 35	mm 42	91	- 41	G3/4		kg 0,47	NC06G040004												
Psi 5075		inch 1,65	3,58	- 1,61	lb 1,04																
QC FF G 1 MALE	16	MPa 35	mm - 87	27	41	G1		kg 0,45	NC05G050003												
Psi 5075		inch - 3,43	1,06	1,61	lb 0,99																
QC FF G 1 FEMALE	16	MPa 35	mm 42	95	- 41	G1		kg 0,6	NC06G050003												
Psi 5075		inch 1,65	3,74	- 1,61	lb 1,32																





## QUICK COUPLINGS ISO 16028 FLAT FACE (male / female) FEMALE THREAD ISO 1179-1 BSPP

										SS Stainless Steel											SS Stainless Steel
TYPE	DN	PN	ØA	C	Ød	ch	ØM	WEIGHT	ITEM CODE	TYPE	DN	PN	ØA	C	Ød	ch	ØM	WEIGHT	ITEM CODE		
QC FF G 1/4 MALE	6.3	MPa 42	mm - 48	16,15	24	G1/4		kg 0,09	NC05G01S000	QC FF G 3/4 MALE	19	MPa 35	mm - 88,5	29,95	41	G3/4		kg 0,48	NC05G04S000		
		Psi 6090	inch - 1,89	0,64	0,94			Psi 5075				inch - 3,48	1,18	1,61	lb 1,06						
QC FF G 1/4 FEMALE	6.3	MPa 42	mm 27	61,5	- 24	G1/4		kg 0,151	NC06G01S000	QC FF G 3/4 FEMALE	19	MPa 35	mm 44	99	- 41	G3/4		kg 0,78	NC06G04S000		
		Psi 6090	inch 1,06	2,42	- 0,94			Psi 5075				inch 1,73	3,90	- 1,61	lb 1,72						
QC FF G 3/8 MALE	10	MPa 42	mm - 65,5	19,75	30	G3/8		kg 0,11	NC05G020001	QC FF G 1 MALE	25	MPa 35	mm - 92	29,95	41	G1		kg 0,436	NC05G050001		
		Psi 6090	inch - 2,58	0,78	1,18			Psi 5075				inch - 3,62	1,18	1,61	lb 0,96						
QC FF G 3/8 FEMALE	10	MPa 42	mm 31	75	- 30	G3/8		kg 0,29	NC06G020001	QC FF G 1 FEMALE	25	MPa 35	mm 44	103	- 41	G1		kg 0,733	NC06G050001		
		Psi 6090	inch 1,22	2,95	- 1,18			Psi 5075				inch 1,73	4,06	- 1,61	lb 1,62						
QC FF G 1/2 MALE	12.5	MPa 42	mm - 69,5	19,75	30	G1/2		kg 0,13	NC05G02S000	QC FF G 1 MALE	25	MPa 35	mm - 100	36	50	G1		kg 0,58	NC05G05S000		
		Psi 6090	inch - 2,74	0,78	1,18			Psi 5075				inch - 3,94	1,42	1,97	lb 1,28						
QC FF G 1/2 FEMALE	12.5	MPa 42	mm 31	79	- 30	G1/2		kg 0,25	NC06G02S000	QC FF G 1 FEMALE	25	MPa 35	mm 54,5	100	- 50	G1		kg 1,25	NC06G05S000		
		Psi 6090	inch 1,22	3,11	- 1,18			Psi 5075				inch 2,15	3,94	- 1,97	lb 2,76						
QC FF G 1/2 MALE	12.5	MPa 42	mm - 75	24,5	34	G1/2		kg 0,317	NC05G030002	QC FF G 1 1/4 MALE	25	MPa 35	mm - 103	36	50	G1 1/4		kg 0,696	NC05G060001		
		Psi 6090	inch - 2,95	0,96	1,34			Psi 5075				inch - 4,06	1,42	1,97	lb 1,53						
QC FF G 1/2 FEMALE	12.5	MPa 42	mm 38	81	- 34	G1/2		kg 0,377	NC06G030002	QC FF G 1 1/4 FEMALE	25	MPa 35	mm 54,5	103	- 50	G1 1/4		kg 1,323	NC06G060001		
		Psi 6090	inch 1,50	3,19	- 1,34			Psi 5075				inch 2,15	4,06	- 1,97	lb 2,92						
QC FF G 3/4 MALE	16	MPa 42	mm - 77,5	24,5	34	G3/4		kg 0,291	NC05G03S000	QC FF G 1 1/2 MALE	25	MPa 35	mm - 103	36	55	G1 1/2		kg 0,75	NC05G05S001		
		Psi 6090	inch - 3,05	0,96	1,34			Psi 5075				inch - 4,06	1,42	2,17	lb 1,65						
QC FF G 3/4 FEMALE	16	MPa 42	mm 38	85	- 34	G3/4		kg 0,411	NC06G03S000	QC FF G 1 1/2 FEMALE	25	MPa 35	mm 54,5	103	- 55	G1 1/2		kg 1,53	NC06G05S001		
		Psi 6090	inch 1,50	0,33	- 1,34			Psi 5075				inch 2,15	4,06	- 2,17	lb 3,37						
QC FF G 1/2 MALE	16	MPa 35	mm - 81	27	41	G5/8		kg 0,35	NC05GA3S000	ABOVE ISO 25 G 1.1/2" : ON REQUEST											
		Psi 5075	inch - 3,19	1,06	1,61			lb 0,77													
QC FF G 1/2 FEMALE	16	MPa 35	mm 42	88	- 41	G5/8		kg 0,49	NC06GA3S000	ABOVE ISO 25 G 1.1/2" : ON REQUEST											
		Psi 5075	inch 1,65	3,46	- 1,61			lb 1,08													
QC FF G 5/8 MALE	16	MPa 35	mm - 80	27	41	G1/2		kg 0,4	NC05GA3S001	ABOVE ISO 25 G 1.1/2" : ON REQUEST											
		Psi 5075	inch - 3,15	1,06	1,61			lb 0,88													
QC FF G 5/8 FEMALE	16	MPa 35	mm 42	87	- 41	G1/2		kg 0,52	NC06GA3S001	ABOVE ISO 25 G 1.1/2" : ON REQUEST											
		Psi 5075	inch 1,65	3,43	- 1,61			lb 1,15													
QC FF G 3/4 MALE	16	MPa 35	mm - 83,5	27	41	G3/4		kg 0,3	NC05G040002	ABOVE ISO 25 G 1.1/2" : ON REQUEST											
		Psi 5075	inch - 3,29	1,06	1,61			lb 0,66													
QC FF G 3/4 FEMALE	16	MPa 35	mm 42	91	- 41	G3/4		kg 0,47	NC06G040002	ABOVE ISO 25 G 1.1/2" : ON REQUEST											
		Psi 5075	inch 1,65	3,58	- 1,61			lb 1,04													
QC FF G 1 MALE	16	MPa 35	mm - 87	27	41	G1		kg 0,45	NC05GA3S002	ABOVE ISO 25 G 1.1/2" : ON REQUEST											
		Psi 5075	inch - 3,43	1,06	1,61			lb 0,99													
QC FF G 1 FEMALE	16	MPa 35	mm 42	95	- 41	G1		kg 0,6	NC06GA3S002	ABOVE ISO 25 G 1.1/2" : ON REQUEST											
		Psi 5075	inch 1,65	3,74	- 1,61			lb 1,32													

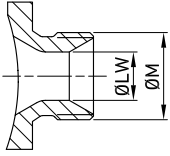


**QUICK COUPLINGS ISO 16028 FLAT FACE (male / female)  
MALE THREAD ISO 8434-6 BSPP**

**CS**  
Carbon Steel

TYPE	DN	PN	ØA	C	Ød	ch	ØM	ØLW	WEIGHT	ITEM CODE
QC FF G 1/4M MALE	6,3	MPa 42	mm -	53,5	16,15	24	G1/4	4,7	kg 0,29	NC05E010000
		Psi 6090	inch -	2,11	0,64	0,94		0,19	lb 0,64	
QC FF G 1/4M FEMALE	6,3	MPa 42	mm 27	67	-	24	G1/4	4,7	kg 0,351	NC06E010000
		Psi 6090	inch 1,06	2,64	-	0,94		0,19	lb 0,77	
QC FF G 3/8M MALE	10	MPa 42	mm -	72	19,75	30	G3/8	7,9	kg 0,31	NC05E020000
		Psi 6090	inch -	2,83	0,78	1,18		0,31	lb 0,68	
QC FF G 3/8M FEMALE	10	MPa 42	mm 31	81,7	-	30	G3/8	7,9	kg 0,49	NC06E020000
		Psi 6090	inch 1,22	3,22	-	1,18		0,31	lb 1,08	
QC FF G 1/2M MALE	10	MPa 42	mm -	74	19,75	30	G1/2	11,1	kg 0,33	NC05E030000
		Psi 6090	inch -	2,91	0,78	1,18		0,44	lb 0,73	
QC FF G 1/2M FEMALE	10	MPa 42	mm 31	83,7	-	30	G1/2	11,1	kg 0,45	NC06E030000
		Psi 6090	inch 1,22	3,30	-	1,18		0,44	lb 0,99	
QC FF G 1/2M MALE	12,5	MPa 42	mm -	77	24,5	34	G1/2	11,1	kg 0,517	NC05E030003
		Psi 6090	inch -	3,03	0,96	1,34		0,44	lb 1,14	
QC FF G 1/2M FEMALE	12,5	MPa 42	mm 38	83	-	34	G1/2	11,1	kg 0,577	NC06E030003
		Psi 6090	inch 1,50	3,27	-	1,34		0,44	lb 1,27	
QC FF G 3/4M MALE	12,5	MPa 42	mm -	79	24,5	34	G3/4	16,7	kg 0,491	NC05E040000
		Psi 6090	inch -	3,11	0,96	1,34		0,66	lb 1,08	
QC FF G 3/4M FEMALE	12,5	MPa 42	mm 38	85	-	34	G3/4	16,7	kg 0,611	NC06E040000
		Psi 6090	inch 1,50	3,35	-	1,34		0,66	lb 1,35	
QC FF G 5/8M MALE	16	MPa 35	mm -	86	27	41	G5/8	14,3	kg 0,55	NC05EA30000
		Psi 5075	inch -	3,39	1,06	1,61		0,56	lb 1,21	
QC FF G 5/8M FEMALE	16	MPa 35	mm 42	94	-	41	G5/8	14,3	kg 0,69	NC06EA30000
		Psi 5075	inch 1,65	3,70	-	1,61		0,56	lb 1,52	
QC FF G 3/4M MALE	16	MPa 35	mm -	86	27	41	G3/4	16,7	kg 0,5	NC05E040004
		Psi 5075	inch -	3,39	1,06	1,61		0,66	lb 1,10	
QC FF G 3/4M FEMALE	16	MPa 35	mm 42	94	-	41	G3/4	16,7	kg 0,67	NC06E040004
		Psi 5075	inch 1,65	3,70	-	1,61		0,66	lb 1,48	
QC FF G 3/4M MALE	19	MPa 35	mm -	91	29,95	41	G3/4	16,7	kg 0,68	NC05E040005
		Psi 5075	inch -	3,58	1,18	1,61		0,66	lb 1,50	
QC FF G 3/4M FEMALE	19	MPa 35	mm 44	102	-	41	G3/4	16,7	kg 0,98	NC06E040005
		Psi 5075	inch 1,73	4,02	-	1,61		0,66	lb 2,16	
QC FF G 1M MALE	19	MPa 35	mm -	94	29,95	41	G1	22,2	kg 0,636	NC05E050000
		Psi 5075	inch -	3,70	1,18	1,61		0,87	lb 1,40	
QC FF G 1M FEMALE	19	MPa 35	mm 44	105	-	41	G1	22,2	kg 0,933	NC06E050000
		Psi 5075	inch 1,73	4,13	-	1,61		0,87	lb 2,06	
QC FF G 1M MALE	25	MPa 35	mm -	106	36	50	G1	22,2	kg 0,78	NC05E050002
		Psi 5075	inch -	4,17	1,42	1,97		0,87	lb 1,72	
QC FF G 1M FEMALE	25	MPa 35	mm 54,5	106	-	50	G1	22,2	kg 1,45	NC06E050002
		Psi 5075	inch 2,15	4,17	-	1,97		0,87	lb 3,20	
QC FF G 1 1/4M MALE	25	MPa 35	mm -	107	36	50	G1 1/4	28,6	kg 0,896	NC05E060000
		Psi 5075	inch -	4,21	1,42	1,97		1,13	lb 1,98	
QC FF G 1 1/4M FEMALE	25	MPa 35	mm 54,5	107	-	50	G1 1/4	28,6	kg 1,523	NC06E060000
		Psi 5075	inch 2,15	4,21	-	1,97		1,13	lb 3,36	
QC FF G 1 1/2M MALE	25	MPa 35	mm -	109	36	55	G1 1/2	33,3	kg 0,95	NC05E070000
		Psi 5075	inch -	4,29	1,42	2,17		1,31	lb 2,09	
QC FF G 1 1/2M FEMALE	25	MPa 35	mm 54,5	109	-	55	G1 1/2	33,3	kg 1,73	NC06E070000
		Psi 5075	inch 2,15	4,29	-	2,17		1,31	lb 3,81	

ABOVE ISO 25 G 1.1/2" : ON REQUEST

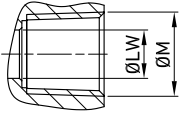


## QUICK COUPLINGS ISO 16028 FLAT FACE (male / female) MALE THREAD ISO 8434-6 BSPP

**SS**  
Stainless Steel

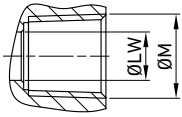
TYPE	DN	PN	ØA	C	Ød	ch	ØM	ØLW	WEIGHT	ITEM CODE	
QC FF G 1/4M MALE	6,3	MPa 42	mm -	53,5	16,15	24	G1/4	4,7	kg 0,29	NC05E01S000	
		Psi 6090	inch -	2,11	0,64	0,94		0,19	lb 0,64		
QC FF G 1/4M FEMALE	6,3	MPa 42	mm 27	67	-	24	G1/4	4,7	kg 0,351	NC06E01S000	
		Psi 6090	inch 1,06	2,64	-	0,94		0,19	lb 0,77		
QC FF G 3/8M MALE	10	MPa 42	mm -	72	19,75	30	G3/8	7,9	kg 0,31	NC05E02S000	
		Psi 6090	inch -	2,83	0,78	1,18		0,31	lb 0,68		
QC FF G 3/8M FEMALE		10	MPa 42	mm 31	81,7	-	30	G3/8	7,9	kg 0,49	NC06E02S000
			Psi 6090	inch 1,22	3,22	-	1,18		0,31	lb 1,08	
QC FF G 1/2M MALE		10	MPa 42	mm -	74	19,75	30	G1/2	11,1	kg 0,33	NC05E02S001
			Psi 6090	inch -	2,91	0,78	1,18		0,44	lb 0,73	
QC FF G 1/2M E MALE	10	MPa 42	mm 31	83,7	-	30	G1/2	11,1	kg 0,45	NC06E02S001	
		Psi 6090	inch 1,22	3,30	-	1,18		0,44	lb 0,99		
QC FF G 1/2M MALE	12,5	MPa 42	mm -	77	24,5	34	G1/2	11,1	kg 0,517	NC05E03S000	
		Psi 6090	inch -	3,03	0,96	1,34		0,44	lb 1,14		
QC FF G 1/2M FEMALE		12,5	MPa 42	mm 38	83	-	34	G1/2	11,1	kg 0,577	NC06E03S000
			Psi 6090	inch 1,50	3,27	-	1,34		0,44	lb 1,27	
QC FF G 3/4M MALE		12,5	MPa 42	mm -	79	24,5	34	G3/4	16,7	kg 0,491	NC05E03S001
			Psi 6090	inch -	3,11	0,96	1,34		0,66	lb 1,08	
QC FF G 3/4M FEMALE	12,5		MPa 42	mm 38	85	-	34	G3/4	16,7	kg 0,611	NC06E03S001
			Psi 6090	inch 1,50	3,35	-	1,34		0,66	lb 1,35	
QC FF G 5/8M MALE	16		MPa 35	mm -	86	27	41	G5/8	14,3	kg 0,55	NC05EA3S000
			Psi 5075	inch -	3,39	1,06	1,61		0,56	lb 1,21	
QC FF G 5/8M FEMALE		16	MPa 35	mm 42	94	-	41	G5/8	14,3	kg 0,69	NC06EA3S000
			Psi 5075	inch 1,65	-	1,61	-		0,56	lb 1,52	
QC FF G 3/4M MALE		16	MPa 35	mm -	86	27	41	G3/4	16,7	kg 0,5	NC05E04S001
			Psi 5075	inch -	3,39	1,06	1,61		0,66	lb 1,10	
QC FF G 3/4M FEMALE	16		MPa 35	mm 42	94	-	41	G3/4	16,7	kg 0,67	NC06E04S001
			Psi 5075	inch 1,65	3,70	-	1,61		0,66	lb 1,48	
QC FF G 3/4M MALE	19		MPa 35	mm -	91	29,95	41	G3/4	16,7	kg 0,68	NC05E04S000
			Psi 5075	inch -	3,58	1,18	1,61		0,66	lb 1,50	
QC FF G 3/4M FEMALE		19	MPa 35	mm 44	102	-	41	G3/4	16,7	kg 0,98	NC06E04S000
			Psi 5075	inch 1,73	4,02	-	1,61		0,66	lb 2,16	
QC FF G 1M MALE		19	MPa 35	mm -	94	29,95	41	G1	22,2	kg 0,636	NC05E05S001
			Psi 5075	inch -	3,70	1,18	1,61		0,87	lb 1,40	
QC FF G 1M FEMALE	19		MPa 35	mm 44	105	-	41	G1	22,2	kg 0,933	NC06E05S001
			Psi 5075	inch 1,73	4,13	-	1,61		0,87	lb 2,06	
QC FF G 1M MALE	25		MPa 35	mm -	106	36	50	G1	22,2	kg 0,78	NC05E05S000
			Psi 5075	inch -	4,17	1,42	1,97		0,87	lb 1,72	
QC FF G 1M FEMALE		25	MPa 35	mm 54,5	106	-	50	G1	22,2	kg 1,45	NC06E05S000
			Psi 5075	inch 2,15	4,17	-	1,97		0,87	lb 3,20	
QC FF G 1 1/4M MALE		25	MPa 35	mm -	107	36	50	G1 1/4	28,6	kg 0,896	NC05E06S000
			Psi 5075	inch -	4,21	1,42	1,97		1,13	lb 1,98	
QC FF G 1 1/4M FEMALE	25		MPa 35	mm 54,5	107	-	50	G1 1/4	28,6	kg 1,523	NC06E06S000
			Psi 5075	inch 2,15	4,21	-	1,97		1,13	lb 3,36	
QC FF G 1 1/2M MALE	25		MPa 35	mm -	109	36	55	G1 1/2	33,3	kg 0,95	NC05E05S002
			Psi 5075	inch -	4,29	1,42	2,17		1,31	lb 2,09	
QC FF G 1 1/2M FEMALE		25	MPa 35	mm 54,5	109	-	55	G1 1/2	33,3	kg 1,73	NC06E05S002
			Psi 5075	inch 2,15	4,29	-	2,17		1,31	lb 3,81	

ABOVE ISO 25 G 1.1/2" : ON REQUEST



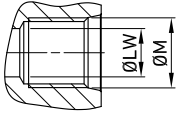
**QUICK COUPLINGS ISO 16028 FLAT FACE (male / female)  
FEMALE THREAD ASME B1.20.1 NPT**

										CS Carbon Steel											CS Carbon Steel
TYPE	DN	PN	ØA	C	Ød	ch	ØM	WEIGHT	ITEM CODE	TYPE	DN	PN	ØA	C	Ød	ch	ØM	WEIGHT	ITEM CODE		
QC FF N 1/4 MALE	6.3	MPa 42	mm -	49,5	16,15	24	N1/4	kg 0,09	NC05N010000	QC FF N 3/4 MALE	19	MPa 35	mm -	88,5	29,95	41	N3/4	kg 0,48	NC05N040005		
		Psi 6090	inch -	1,95	0,64	0,94		Psi 5075				inch -	3,48	1,18	1,61	lb 1,06					
QC FF N 1/4 FEMALE	6.3	MPa 42	mm	27	63	-	24	kg 0,151	NC06N010000	QC FF N 3/4 FEMALE	19	MPa 35	mm	44	99	-	41	kg 0,78	NC06N040005		
		Psi 6090	inch	1,06	2,48	-	0,94	Psi 5075				inch	1,73	3,90	-	1,61	lb 1,72				
QC FF N 3/8 MALE	10	MPa 42	mm -	67,5	19,75	30	N3/8	kg 0,11	NC05N020000	QC FF N 1 MALE	19	MPa 35	mm -	92	29,95	41	N1	kg 0,436	NC05N050000		
		Psi 6090	inch -	2,66	0,78	1,18		Psi 5075				inch -	3,62	1,18	1,61	lb 0,96					
QC FF N 3/8 FEMALE	10	MPa 42	mm	31	77	-	30	kg 0,29	NC06N020000	QC FF N 1 FEMALE	19	MPa 35	mm	44	99	-	41	kg 0,733	NC06N050000		
		Psi 6090	inch	1,22	3,03	-	1,18	Psi 5075				inch	1,73	3,90	-	1,61	lb 1,62				
QC FF N 1/2 MALE	10	MPa 42	mm -	72	19,75	30	N1/2	kg 0,13	NC05N030000	QC FF N 1 MALE	25	MPa 35	mm -	100	36	50	N1	kg 0,58	NC05N050002		
		Psi 6090	inch -	2,83	0,78	1,18		Psi 5075				inch -	3,94	1,42	1,97	lb 1,28					
QC FF N 1/2 FEMALE	10	MPa 42	mm	31	82	-	30	kg 0,25	NC06N030000	QC FF N 1 FEMALE	25	MPa 35	mm	54,5	100	-	50	kg 1,25	NC06N050002		
		Psi 6090	inch	1,22	3,23	-	1,18	Psi 5075				inch	2,15	3,94	-	1,97	lb 2,76				
QC FF N 1/2 MALE	12.5	MPa 42	mm -	75	24,5	34	N1/2	kg 0,317	NC05N030003	QC FF N 1.1/4 MALE	25	MPa 35	mm -	103	36	50	N 1 1/4	kg 0,696	NC05N060000		
		Psi 6090	inch -	2,95	0,96	1,34		Psi 5075				inch -	4,06	1,42	1,97	lb 1,53					
QC FF N 1/2 FEMALE	12.5	MPa 42	mm	38	81	-	34	kg 0,377	NC06N030003	QC FF N 1.1/4 FEMALE	25	MPa 35	mm	54,5	103	-	50	kg 1,323	NC06N060000		
		Psi 6090	inch	1,50	3,19	-	1,34	Psi 5075				inch	2,15	4,06	-	1,97	lb 2,92				
QC FF N 3/4 MALE	12.5	MPa 42	mm -	78	24,5	34	N3/4	kg 0,291	NC05N040000	QC FF N 1.1/2 MALE	25	MPa 35	mm -	103	36	55	N 1 1/2	kg 0,75	NC05N070000		
		Psi 6090	inch -	3,07	0,96	1,34		Psi 5075				inch -	4,06	1,42	2,17	lb 1,65					
QC FF N 3/4 FEMALE	12.5	MPa 42	mm	38	84	-	34	kg 0,411	NC06N040000	QC FF N 1.1/2 FEMALE	25	MPa 35	mm	54,5	103	-	55	kg 1,53	NC06N070000		
		Psi 6090	inch	1,50	3,31	-	1,34	Psi 5075				inch	2,15	4,06	-	2,17	lb 3,37				
QC FF N 1/2 MALE	16	MPa 35	mm -	82	27	41	N1/2	kg 0,4	NC05N030004	ABOVE ISO 25 G 1.1/2" : ON REQUEST											
Psi 5075		inch -	3,23	1,06	1,61	lb 0,88															
QC FF N 1/2 FEMALE		MPa 35	mm	42	87	41	-	kg 0,52	NC06N030004												
		Psi 5075	inch	1,65	3,43	1,61	-	lb 1,15													
QC FF N 3/4 MALE		MPa 35	mm -	83,5	27	41	N3/4	kg 0,3	NC05N040004												
		Psi 5075	inch -	3,29	1,06	1,61		lb 0,66													
QC FF N 3/4 FEMALE		MPa 35	mm	42	91	-	41	N3/4	kg 0,47											NC06N040004	
		Psi 5075	inch	1,65	3,58	-	1,61		lb 1,04												
QC FF N 1 MALE		MPa 35	mm -	87	27	41	N1	kg 0,45	NC05N050003												
		Psi 5075	inch -	3,43	1,06	1,61		lb 0,99													
QC FF N 1 FEMALE		MPa 35	mm	42	95	-	41	N1	kg 0,6											NC06N050003	
		Psi 5075	inch	1,65	3,74	-	1,61		lb 1,32												



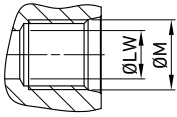
## QUICK COUPLINGS ISO 16028 FLAT FACE (male / female) FEMALE THREAD ASME B1.20.1 NPT

										SS Stainless Steel											SS Stainless Steel
TYPE	DN	PN	ØA	C	Ød	ch	ØM	WEIGHT	ITEM CODE	TYPE	DN	PN	ØA	C	Ød	ch	ØM	WEIGHT	ITEM CODE		
QC FF N 1/4 MALE	6.3	MPa 42	mm -	49,5	16,15	24	N1/4	kg 0,09	NC05N01S000	QC FF N 3/4 MALE	19	MPa 35	mm -	88,5	29,95	41	N3/4	kg 0,48	NC05N04S000		
		Psi 6090	inch -	1,95	0,64	0,94		Psi 5075				inch -	3,48	1,18	1,61	lb 1,06					
QC FF N 1/4 FEMALE	6.3	MPa 42	mm	27	63	-	24	kg 0,151	NC06N01S000	QC FF N 3/4 FEMALE	19	MPa 35	mm	44	99	-	41	kg 0,78	NC06N04S000		
		Psi 6090	inch	1,06	2,48	-	0,94	Psi 5075				inch	1,73	3,90	-	1,61	lb 1,72				
QC FF N 3/8 MALE	10	MPa 42	mm -	67,5	19,75	30	N3/8	kg 0,11	NC05N02S000	QC FF N 1 MALE	19	MPa 35	mm -	92	29,95	41	N1	kg 0,436	NC05N04S001		
		Psi 6090	inch -	2,66	0,78	1,18		Psi 5075				inch -	3,62	1,18	1,61	lb 0,96					
QC FF N 3/8 FEMALE	10	MPa 42	mm	31	77	-	30	kg 0,29	NC06N02S000	QC FF N 1 FEMALE	19	MPa 35	mm	44	99	-	41	kg 0,733	NC06N04S001		
		Psi 6090	inch	1,22	3,03	-	1,18	Psi 5075				inch	1,73	3,90	-	1,61	lb 1,62				
QC FF N 1/2 MALE	10	MPa 42	mm -	72	19,75	30	N1/2	kg 0,13	NC05N02S001	QC FF N 1 MALE	25	MPa 35	mm -	100	36	50	N1	kg 0,58	NC05N05S000		
		Psi 6090	inch -	2,83	0,78	1,18		Psi 5075				inch -	3,94	1,42	1,97	lb 1,28					
QC FF N 1/2 FEMALE	10	MPa 42	mm	31	82	-	30	kg 0,25	NC06N02S001	QC FF N 1 FEMALE	25	MPa 35	mm	54,5	100	-	50	kg 1,25	NC06N05S000		
		Psi 6090	inch	1,22	3,23	-	1,18	Psi 5075				inch	2,15	3,94	-	1,97	lb 2,76				
QC FF N 1/2 MALE	12.5	MPa 42	mm -	75	24,5	34	N1/2	kg 0,317	NC05N03S000	QC FF N 1.1/4 MALE	25	MPa 35	mm -	103	36	50	N1 1/4	kg 0,696	NC05N05S001		
		Psi 6090	inch -	2,95	0,96	1,34		Psi 5075				inch -	4,06	1,42	1,97	lb 1,53					
QC FF N 1/2 FEMALE	12.5	MPa 42	mm	38	81	-	34	kg 0,377	NC06N03S000	QC FF N 1.1/4 FEMALE	25	MPa 35	mm	54,5	103	-	50	kg 1,323	NC06N05S001		
		Psi 6090	inch	1,50	3,19	-	1,34	Psi 5075				inch	2,15	4,06	-	1,97	lb 2,92				
QC FF N 3/4 MALE	12.5	MPa 42	mm -	78	24,5	34	N3/4	kg 0,291	NC05N03S001	QC FF N 1.1/2 MALE	25	MPa 35	mm -	103	36	55	N1 1/2	kg 0,75	NC05N05S002		
		Psi 6090	inch -	3,07	0,96	1,34		Psi 5075				inch -	4,06	1,42	2,17	lb 1,65					
QC FF N 3/4 FEMALE	12.5	MPa 42	mm	38	84	-	34	kg 0,411	NC06N03S001	QC FF N 1.1/2 FEMALE	25	MPa 35	mm	54,5	103	-	55	kg 1,53	NC06N05S002		
		Psi 6090	inch	1,50	3,31	-	1,34	Psi 5075				inch	2,15	4,06	-	2,17	lb 3,37				
QC FF N 1/2 MALE	16	MPa 35	mm -	82	27	41	N1/2	kg 0,4	NC05NA3S000	ABOVE ISO 25 G 1.1/2" : ON REQUEST											
		Psi 5075	inch -	3,23	1,06	1,61		lb 0,88													
QC FF N 1/2 FEMALE	16	MPa 35	mm	42	87	41	N1/2	kg 0,52	NC06NA3S000												
		Psi 5075	inch	1,65	3,43	1,61		-		lb 1,15											
QC FF N 3/4 MALE	16	MPa 35	mm -	83,5	27	41	N3/4	kg 0,3	NC05NA3S001												
		Psi 5075	inch -	3,29	1,06	1,61		lb 0,66													
QC FF N 3/4 FEMALE	16	MPa 35	mm	42	91	-	41	kg 0,47	NC06NA3S001												
		Psi 5075	inch	1,65	3,58	-	1,61	lb 1,04													
QC FF N 1 MALE	16	MPa 35	mm -	87	27	41	N1	kg 0,45	NC05NA3S002												
		Psi 5075	inch -	3,43	1,06	1,61		lb 0,99													
QC FF N 1 FEMALE	16	MPa 35	mm	42	95	-	41	kg 0,6	NC06NA3S002												
		Psi 5075	inch	1,65	3,74	-	1,61	lb 1,32													



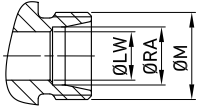
**QUICK COUPLINGS ISO 16028 FLAT FACE (male / female)  
FEMALE THREAD ISO 11926-1 (SAE J1926-1) ORB**

										CS Carbon Steel											CS Carbon Steel
TYPE	DN	PN	ØA	C	Ød	ch	ØM	WEIGHT	ITEM CODE	TYPE	DN	PN	ØA	C	Ød	ch	ØM	WEIGHT	ITEM CODE		
QC FF SAE4 MALE	6.3	MPa 42	mm - 48	16,15	24	7/16-	kg 0,09	NC05S010000	QC FF SAE12 MALE*	19	MPa 35	mm - 92	29,95	41	1-1/16-	kg 0,48	NC05S040005				
		Psi 6090	inch - 1,89	0,64	0,94	20 UNF	lb 0,20				Psi 5075	inch - 3,62	1,18	1,61	12 UN	lb 1,06					
QC FF SAE4 FEMALE	6.3	MPa 42	mm 27	61,5	- 24	7/16-	kg 0,151	NC06S010000	QC FF SAE12 FEMALE	19	MPa 35	mm 44	103	- 41	1-1/16-	kg 0,78	NC06S040005				
		Psi 6090	inch 1,06	2,42	- 0,94	20 UNF	lb 0,33				Psi 5075	inch 1,73	4,06	- 1,61	12 UN	lb 1,72					
QC FF SAE6 MALE	6.3	MPa 42	mm - 49	16,15	24	9/16-	kg 0,22	NC05S010001	QC FF SAE16 MALE	25	MPa 35	mm - 92	29,95	41	1-5/16-	kg 0,7	NC05S050000				
		Psi 6090	inch - 1,93	0,64	0,94	18 UNF	lb 0,49				Psi 5075	inch - 3,62	1,18	1,61	12 UN	lb 1,54					
QC FF SAE6 FEMALE	6.3	MPa 42	mm 27	62,5	- 24	9/16-	kg 0,35	NC06S010001	QC FF SAE16 FEMALE	25	MPa 35	mm 44	103	- 41	1-5/16-	kg 0,85	NC06S050000				
		Psi 6090	inch 1,06	2,46	- 0,94	18 UNF	lb 0,77				Psi 5075	inch 1,73	4,06	- 1,61	12 UN	lb 1,87					
QC FF SAE6 MALE	10	MPa 42	mm - 66,5	19,75	30	9/16-	kg 0,11	NC05S020000	QC FF SAE16 MALE	25	MPa 35	mm - 100	36	50	1-5/16-	kg 0,58	NC05S050002				
		Psi 6090	inch - 2,62	0,78	1,18	18 UNF	lb 0,24				Psi 5075	inch - 3,94	1,42	1,97	12 UN	lb 1,28					
QC FF SAE6 FEMALE	10	MPa 42	mm 31	76	- 30	9/16-	kg 0,29	NC06S020000	QC FF SAE16 FEMALE	25	MPa 35	mm 54,5	100	- 50	1-5/16-	kg 1,25	NC06S050002				
		Psi 6090	inch 1,22	2,99	- 1,18	18 UNF	lb 0,64				Psi 5075	inch 2,15	3,94	- 1,97	12 UN	lb 2,76					
QC FF SAE8 MALE	10	MPa 42	mm - 69,5	19,75	30	3/4-16	kg 0,13	NC05S030000	QC FF SAE20 MALE	25	MPa 35	mm - 103	36	50	1-5/8-	kg 0,696	NC05S060000				
		Psi 6090	inch - 2,74	0,78	1,18	UNF	lb 0,29				Psi 5075	inch - 4,06	1,42	1,97	12 UN	lb 1,53					
QC FF SAE8 FEMALE	10	MPa 42	mm 31	79	- 30	3/4-16	kg 0,25	NC06S030000	QC FF SAE20 FEMALE	25	MPa 35	mm 54,5	103	- 50	1-5/8-	kg 1,323	NC06S060000				
		Psi 6090	inch 1,22	3,11	- 1,18	UNF	lb 0,55				Psi 5075	inch 2,15	4,06	- 1,97	12 UN	lb 2,92					
QC FF SAE8 MALE	12,5	MPa 42	mm - 75	24,5	34	3/4-16	kg 0,317	NC05S030003	QC FF SAE8 FEMALE	12,5	MPa 42	mm 38	81	- 34	3/4-16	kg 0,377	NC06S030003				
		Psi 6090	inch - 2,95	0,96	1,34	UNF	lb 0,70				Psi 6090	inch 1,50	3,19	- 1,34	UNF	lb 0,83					
QC FF SAE12 MALE	12,5	MPa 42	mm - 80,5	24,5	34	1-1/16-	kg 0,291	NC05S040000	QC FF SAE12 FEMALE	12,5	MPa 42	mm 38	86,5	- 34	1-1/16-	kg 0,411	NC06S040000				
		Psi 6090	inch - 3,17	0,96	1,34	12 UN	lb 0,64				Psi 6090	inch 1,50	3,41	- 1,34	12 UN	lb 0,91					
QC FF SAE8 MALE	16	MPa 35	mm - 80	27	41	3/4-16	kg 0,4	NC05S030004	QC FF SAE8 FEMALE	16	MPa 35	mm 42	87	- 41	3/4-16	kg 0,52	NC06S030004				
		Psi 5075	inch - 3,15	1,06	1,61	UNF	lb 0,88				Psi 5075	inch 1,65	3,43	- 1,61	UNF	lb 1,15					
QC FF SAE12 MALE	16	MPa 35	mm - 85	27	41	1-1/16-	kg 0,3	NC05S040004	QC FF SAE12 FEMALE	16	MPa 35	mm 42	93	- 41	1-1/16-	kg 0,47	NC06S040004				
		Psi 5075	inch - 3,35	1,06	1,61	12 UN	lb 0,66				Psi 5075	inch 1,65	3,66	- 1,61	12 UN	lb 1,04					



## QUICK COUPLINGS ISO 16028 FLAT FACE (male / female) FEMALE THREAD ISO 11926-1 (SAE J1926-1) ORB

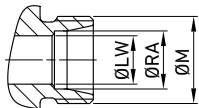
									SS Stainless Steel										SS Stainless Steel	
TYPE	DN	PN	ØA	C	Ød	ch	ØM	WEIGHT	ITEM CODE	TYPE	DN	PN	ØA	C	Ød	ch	ØM	WEIGHT	ITEM CODE	
QC FF SAE4 MALE	6.3	MPa 42	mm - 48	16,15	24	7/16-	kg 0,09	NC05S01S000	QC FF SAE12 MALE	19	MPa 35	mm - 92	29,95	41	1-1/16-	kg 0,48	NC05S04S000			
		Psi 6090	inch - 1,89	0,64	0,94	20 UNF	lb 0,20				Psi 5075	inch - 3,62	1,18	1,61	12 UN	lb 1,06				
QC FF SAE4 FEMALE		MPa 42	mm 27	61,5	-	24	7/16-	kg 0,151	NC06S01S000		QC FF SAE12 FEMALE	MPa 35	mm 44	103	-	41	1-1/16-	kg 0,78	NC06S04S000	
		Psi 6090	inch 1,06	2,42	-	0,94	20 UNF	lb 0,33				Psi 5075	inch 1,73	4,06	-	1,61	12 UN	lb 1,72		
QC FF SAE6 MALE		MPa 42	mm - 49	16,15	24	9/16-	kg 0,22	NC05S01S001	QC FF SAE16 MALE		MPa 35	mm - 92	29,95	41	1 5/16-	kg 0,7	NC05S05S002			
		Psi 6090	inch - 1,93	0,64	0,94	18 UNF	lb 0,49				Psi 5075	inch - 3,62	1,18	1,61	-12 UN	lb 1,54				
QC FF SAE6 FEMALE		MPa 42	mm 27	62,5	-	24	9/16-	kg 0,35	NC06S01S001		QC FF SAE16 FEMALE	MPa 35	mm 44	103	-	41	1 5/16-	kg 0,85	NC06S05S002	
		Psi 6090	inch 1,06	2,46	-	0,94	18 UNF	lb 0,77				Psi 5075	inch 1,73	4,06	-	1,61	-12 UN	lb 1,87		
QC FF SAE6 MALE		10	MPa 42	mm - 66,5	19,75	30	9/16-	kg 0,11	NC05S02S000		QC FF SAE16 MALE	25	MPa 35	mm - 100	36	50	1-5/16-	kg 0,58	NC05S05S000	
			Psi 6090	inch - 2,62	0,78	1,18	18 UNF	lb 0,24					Psi 5075	inch - 3,94	1,42	1,97	12 UN	lb 1,28		
QC FF SAE6 FEMALE	MPa 42		mm 31	76	-	30	9/16-	kg 0,29	NC06S02S000	QC FF SAE16 FEMALE	MPa 35		mm 54,5	100	-	50	1-5/16-	kg 1,25	NC06S05S000	
	Psi 6090		inch 1,22	2,99	-	1,18	18 UNF	lb 0,64			Psi 5075		inch 2,15	3,94	-	1,97	12 UN	lb 2,76		
QC FF SAE8 MALE	MPa 42		mm - 69,5	19,75	30	3/4-16	kg 0,13	NC05S02S001	QC FF SAE20 MALE	MPa 35	mm - 103		36	50	1-5/8-	kg 0,696	NC05S05S001			
	Psi 6090		inch - 2,74	0,78	1,18	UNF	lb 0,29			Psi 5075	inch - 4,06		1,42	1,97	12 UN	lb 1,53				
QC FF SAE8 FEMALE	MPa 42		mm 31	79	-	30	3/4-16	kg 0,25	NC06S02S001	QC FF SAE20 FEMALE	MPa 35		mm 54,5	103	-	50	1-5/8-	kg 1,323	NC06S05S001	
	Psi 6090		inch 1,22	3,11	-	1,18	UNF	lb 0,55			Psi 5075		inch 2,15	4,06	-	1,97	12 UN	lb 2,92		
QC FF SAE8 MALE	12.5		MPa 42	mm - 75	24,5	34	3/4-16	kg 0,317	NC05S03S000	QC FF SAE8 FEMALE	12.5		MPa 42	mm 38	81	-	34	3/4-16	kg 0,377	NC06S03S000
			Psi 6090	inch - 2,95	0,96	1,34	UNF	lb 0,70					Psi 6090	inch 1,50	3,19	-	1,34	UNF	lb 0,83	
QC FF SAE12 MALE		MPa 42	mm - 80,5	24,5	34	1-1/16-	kg 0,291	NC05S03S001	QC FF SAE12 FEMALE			MPa 42	mm 38	86,5	-	34	1-1/16-	kg 0,411	NC06S03S001	
		Psi 6090	inch - 3,17	0,96	1,34	12 UN	lb 0,64					Psi 6090	inch 1,50	3,41	-	1,34	12 UN	lb 0,91		
QC FF SAE8 MALE		MPa 35	mm - 80	27	41	3/4-16	kg 0,4	NC05SA3S000	QC FF SAE8 FEMALE			MPa 35	mm 42	87	-	41	3/4-16	kg 0,52	NC06SA3S000	
		Psi 5075	inch - 3,15	1,06	1,61	UNF	lb 0,88					Psi 5075	inch 1,65	3,43	-	1,61	UNF	lb 1,15		
QC FF SAE12 MALE		MPa 35	mm - 85	27	41	1-1/16-	kg 0,3	NC05SA3S001	QC FF SAE12 FEMALE			MPa 35	mm 42	93	-	41	1-1/16-	kg 0,47	NC06SA3S001	
		Psi 5075	inch - 3,35	1,06	1,61	12 UN	lb 0,66					Psi 5075	inch 1,65	3,66	-	1,61	12 UN	lb 1,04		


**QUICK COUPLINGS ISO 16028 FLAT FACE (male / female)  
MALE THREAD METRIC ISO 8434-1-S (DIN 2353)**

Carbon Steel

TYPE	DN	PN	ØA	C	Ød	ch	ØM	ØLW	ØRA	WEIGHT	ITEM CODE
QC FF 8S MALE	6,3	MPa 42	mm -	54,5	16,15	24	M16X1,5	5	8	kg 0,232	NC05H010000
		Psi 6090	inch -	2,15	0,64	0,94		0,20	0,31	lb 0,51	
QC FF 8S FEMALE	6,3	MPa 42	mm 27	68	-	24	M16X1,5	5	8	kg 0,338	NC06H010000
		Psi 6090	inch 1,06	2,68	-	0,94		0,20	0,31	lb 0,75	
QC FF 12S MALE	10	MPa 42	mm -	72	19,75	30	M20X1,5	8	12	kg 0,208	NC05H020000
		Psi 6090	inch -	2,83	0,78	1,18		0,31	0,47	lb 0,46	
QC FF 12S FEMALE	10	MPa 42	mm 31	81,5	-	30	M20X1,5	8	12	kg 0,695	NC06H020000
		Psi 6090	inch 1,22	3,21	-	1,18		0,31	0,47	lb 1,53	
QC FF 16S MALE	16	MPa 35	mm -	84	27	41	M24X1,5	12	16	kg 0,397	NC05HA30000
		Psi 5075	inch -	3,31	1,06	1,61		0,47	0,63	lb 0,88	
QC FF 16S FEMALE	16	MPa 35	mm 42	92	-	41	M24X1,5	12	16	kg 0,72	NC06HA30000
		Psi 5075	inch 1,65	3,62	-	1,61		0,47	0,63	lb 1,59	
QC FF 25S MALE	25	MPa 35	mm -	105	36	50	M36X2	20	25	kg 0,81	NC05H050000
		Psi 5075	inch -	4,13	1,42	1,97		0,79	0,98	lb 1,79	
QC FF 25S FEMALE	25	MPa 35	mm 54,5	105	-	50	M36X2	20	25	kg 1,16	NC06H050000
		Psi 5075	inch 2,15	4,13	-	1,97		0,79	0,98	lb 2,56	



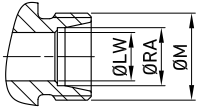


### QUICK COUPLINGS ISO 16028 FLAT FACE (male / female) MALE THREAD METRIC ISO 8434-1-S (DIN 2353)

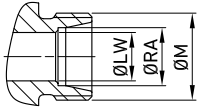
SS

Stainless Steel

TYPE	DN	PN	ØA	C	Ød	ch	ØM	ØLW	ØRA	WEIGHT	ITEM CODE
QC FF 8S MALE	6,3	MPa 42	mm	54,5	16,15	24	M16X1,5	5	8	kg 0,232	NC05H01S000
		Psi 6090	inch	0,00	2,15	0,64		0,94	0,20	0,31	
QC FF 8S FEMALE	6,3	MPa 42	mm	27	68	24	M16X1,5	5	8	kg 0,338	NC06H01S000
		Psi 6090	inch	1,06	2,68	0,00		0,94	0,20	0,31	
QC FF 12S MALE	10	MPa 42	mm	72	19,75	30	M20X1,5	8	12	kg 0,208	NC05H02S000
		Psi 6090	inch	0,00	2,83	0,78		1,18	0,31	0,47	
QC FF 12S FEMALE	10	MPa 42	mm	31	81,5	30	M20X1,5	8	12	kg 0,695	NC06H02S000
		Psi 6090	inch	1,22	3,21	0,00		1,18	0,31	0,47	
QC FF 16S MALE	16	MPa 35	mm	84	27	41	M24X1,5	12	16	kg 0,397	NC05HA3S000
		Psi 5075	inch	0,00	3,31	1,06		1,61	0,47	0,63	
QC FF 16S FEMALE	16	MPa 35	mm	42	92	41	M24X1,5	12	16	kg 0,72	NC06HA3S000
		Psi 5075	inch	1,65	3,62	0,00		1,61	0,47	0,63	
QC FF 25S MALE	25	MPa 35	mm	105	36	50	M36X2	20	25	kg 0,81	NC05H05S000
		Psi 5075	inch	0,00	4,13	1,42		1,97	0,79	0,98	
QC FF 25S FEMALE	25	MPa 35	mm	54,5	105	50	M36X2	20	25	kg 1,16	NC06H05S000
		Psi 5075	inch	2,15	4,13	0,00		1,97	0,79	0,98	


**QUICK COUPLINGS ISO 16028 FLAT FACE (male / female)  
MALE THREAD METRIC ISO 8434-1-L (DIN 2353)**

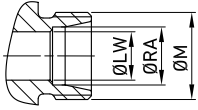
TYPE	DN	PN	ØA	C	Ød	ch	ØM	ØLW	ØRA	WEIGHT	ITEM CODE	
QC FF 8L MALE	6.3	MPa 42	mm -	52,5	16,15	24	M14x1,5	6	8	kg 0,153	NC05L010000	
		Psi 6090	inch -	2,07	0,64	0,94		0,24	0,31	lb 0,34		
QC FF 8L FEMALE			MPa 42	mm 27	66	-	24	M14x1,5	6	8	kg 0,246	NC06L010000
		Psi 6090	inch 1,06	2,60	-	0,94	0,24		0,31	lb 0,54		
QC FF 10L MALE	6.3	MPa 42	mm -	53,5	16,15	24	M16x1,5	8	10	kg 0,154	NC05L010001	
		Psi 6090	inch -	2,11	0,64	0,94		0,31	0,39	lb 0,34		
QC FF 10L FEMALE			MPa 42	mm 27	67	-	24	M16x1,5	8	10	kg 0,227	NC06L010001
		Psi 6090	inch 1,06	2,64	-	0,94	0,31		0,39	lb 0,50		
QC FF 10L MALE	10	MPa 42	mm -	71	19,75	30	M16x1,5	8	10	kg 0,18	NC05L020001	
		Psi 6090	inch -	2,80	0,78	1,18		0,31	0,39	lb 0,40		
QC FF 10L FEMALE			MPa 42	mm 31	80,5	-	30	M16x1,5	8	10	kg 0,473	NC06L020001
		Psi 6090	inch 1,22	3,17	-	1,18	0,31		0,39	lb 1,04		
QC FF 12L MALE	10	MPa 42	mm -	71	19,75	30	M18x1,5	10	12	kg 0,18	NC05L020002	
		Psi 6090	inch -	2,80	0,78	1,18		0,39	0,47	lb 0,40		
QC FF 12L FEMALE			MPa 42	mm 31	80,5	-	30	M18x1,5	10	12	kg 0,469	NC06L020002
		Psi 6090	inch 1,22	3,17	-	1,18	0,39		0,47	lb 1,03		
QC FF 15L MALE	12.5	MPa 42	mm -	72	19,75	30	M22x1,5	12	15	kg 0,184	NC05L020003	
		Psi 6090	inch -	2,84	0,78	1,18		0,47	0,59	lb 0,41		
QC FF 15L FEMALE			MPa 42	mm 31	81,5	-	30	M22x1,5	12	15	kg 0,477	NC06L020003
		Psi 6090	inch 1,22	3,21	-	1,18	0,47		0,59	lb 1,05		
QC FF 12L MALE	12.5	MPa 42	mm -	74	24,5	34	M18x1,5	10	12	kg 0,376	NC05L030000	
		Psi 6090	inch -	2,91	0,96	1,34		0,39	0,47	lb 0,83		
QC FF 12L FEMALE			MPa 42	mm 38	80	-	34	M18x1,5	10	12	kg 0,658	NC06L030000
		Psi 6090	inch 1,50	3,15	-	1,34	0,39		0,47	lb 1,45		
QC FF 15L MALE	12.5	MPa 42	mm -	75	24,5	34	M22x1,5	12	15	kg 0,384	NC05L030001	
		Psi 6090	inch -	2,95	0,96	1,34		0,47	0,59	lb 0,85		
QC FF 15L FEMALE			MPa 42	mm 38	81	-	34	M22x1,5	12	15	kg 0,665	NC06L030001
		Psi 6090	inch 1,50	3,19	-	1,34	0,47		0,59	lb 1,47		
QC FF 18L MALE	16	MPa 42	mm -	75	24,5	34	M26x1,5	15	18	kg 0,396	NC05L030002	
		Psi 6090	inch -	2,95	0,96	1,34		0,59	0,71	lb 0,87		
QC FF 18L FEMALE			MPa 42	mm 38	81	-	34	M26x1,5	15	18	kg 0,673	NC06L030002
		Psi 6090	inch 1,50	3,19	-	1,34	0,59		0,71	lb 1,48		
QC FF 18L MALE	16	MPa 35	mm -	82	27	41	M26x1,5	15	18	kg 0,342	NC05LA30000	
		Psi 5075	inch -	3,23	1,06	1,61		0,59	0,71	lb 0,75		
QC FF 18L FEMALE			MPa 35	mm 42	90	-	41	M26x1,5	15	18	kg 0,649	NC06LA30000
		Psi 5075	inch 1,65	3,54	-	1,61	0,59		0,71	lb 1,43		
QC FF 22L MALE	16	MPa 35	mm -	84	27	41	M30x2	19	22	kg 0,339	NC05LA30001	
		Psi 5075	inch -	3,31	1,06	1,61		0,75	0,87	lb 0,75		
QC FF 22L FEMALE			MPa 35	mm 42	92	-	41	M30x2	19	22	kg 0,636	NC06LA30001
		Psi 5075	inch 1,65	3,62	-	1,61	0,75		0,87	lb 1,40		
QC FF 18L MALE	19	MPa 35	mm -	87	29,95	41	M26x1,5	15	18	kg 0,474	NC05L040000	
		Psi 5075	inch -	3,43	1,18	1,61		0,59	0,71	lb 1,04		
QC FF 18L FEMALE			MPa 35	mm 44	98	-	41	M26x1,5	15	18	kg 0,89	NC06L040000
		Psi 5075	inch 1,73	3,86	-	1,61	0,59		0,71	lb 1,96		
QC FF 22L MALE	19	MPa 35	mm -	89	29,95	41	M30x2	19	22	kg 0,461	NC05L040001	
		Psi 5075	inch -	3,50	1,18	1,61		0,75	0,87	lb 1,02		
QC FF 22L FEMALE			MPa 35	mm 44	100	-	41	M30x2	19	22	kg 0,882	NC06L040001
		Psi 5075	inch 1,73	3,94	-	1,61	0,75		0,87	lb 1,94		



## QUICK COUPLINGS ISO 16028 FLAT FACE (male / female) MALE THREAD METRIC ISO 8434-1-L (DIN 2353)

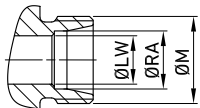
**SS**  
Stainless Steel

TYPE	DN	PN	ØA	C	Ød	ch	ØM	ØLW	ØRA	WEIGHT	ITEM CODE	
QC FF 8L MALE	6.3	MPa 42	mm -	52,5	16,15	24	M14x1,5	6	8	kg 0,153	NC05L01S000	
		Psi 6090	inch -	2,07	0,64	0,94		0,24	0,31	lb 0,34		
QC FF 8L FEMALE			MPa 42	mm 27	66	-	24	M14x1,5	6	8	kg 0,246	NC06L01S000
		Psi 6090	inch 1,06	2,60	-	0,94	0,24		0,31	lb 0,54		
QC FF 10L MALE	6.3	MPa 42	mm -	53,5	16,15	24	M16x1,5	8	10	kg 0,154	NC05L01S001	
		Psi 6090	inch -	2,11	0,64	0,94		0,31	0,39	lb 0,34		
QC FF 10L FEMALE			MPa 42	mm 27	67	-	24	M16x1,5	8	10	kg 0,227	NC06L01S001
		Psi 6090	inch 1,06	2,64	-	0,94	0,31		0,39	lb 0,50		
QC FF 10L MALE	10	MPa 42	mm -	71	19,75	30	M16x1,5	8	10	kg 0,18	NC05L02S001	
		Psi 6090	inch -	2,80	0,78	1,18		0,31	0,39	lb 0,40		
QC FF 10L FEMALE			MPa 42	mm 31	80,5	-	30	M16x1,5	8	10	kg 0,473	NC06L02S001
		Psi 6090	inch 1,22	3,17	-	1,18	0,31		0,39	lb 1,04		
QC FF 12L MALE	10	MPa 42	mm -	71	19,75	30	M18X1,5	10	12	kg 0,18	NC05L02S002	
		Psi 6090	inch -	2,80	0,78	1,18		0,39	0,47	lb 0,40		
QC FF 12L FEMALE			MPa 42	mm 31	80,5	-	30	M18X1,5	10	12	kg 0,469	NC06L02S002
		Psi 6090	inch 1,22	3,17	-	1,18	0,39		0,47	lb 1,03		
QC FF 15L MALE	12,5	MPa 42	mm -	72	19,75	30	M22X1,5	12	15	kg 0,184	NC05L02S003	
		Psi 6090	inch -	2,84	0,78	1,18		0,47	0,59	lb 0,41		
QC FF 15L FEMALE			MPa 42	mm 31	81,5	-	30	M22X1,5	12	15	kg 0,477	NC06L02S003
		Psi 6090	inch 1,22	3,21	-	1,18	0,47		0,59	lb 1,05		
QC FF 12L MALE	12,5	MPa 42	mm -	74	24,5	34	M18X1,5	10	12	kg 0,376	NC05L03S000	
		Psi 6090	inch -	2,91	0,96	1,34		0,39	0,47	lb 0,83		
QC FF 12L FEMALE			MPa 42	mm 38	80	-	34	M18X1,5	10	12	kg 0,658	NC06L03S000
		Psi 6090	inch 1,50	3,15	-	1,34	0,39		0,47	lb 1,45		
QC FF 15L MALE	12,5	MPa 42	mm -	75	24,5	34	M22X1,5	12	15	kg 0,384	NC05L03S001	
		Psi 6090	inch -	2,95	0,96	1,34		0,47	0,59	lb 0,85		
QC FF 15L FEMALE			MPa 42	mm 38	81	-	34	M22X1,5	12	15	kg 0,665	NC06L03S001
		Psi 6090	inch 1,50	3,19	-	1,34	0,47		0,59	lb 1,47		
QC FF 18L MALE	16	MPa 42	mm -	75	24,5	34	M26X1,5	15	18	kg 0,396	NC05L03S002	
		Psi 6090	inch -	2,95	0,96	1,34		0,59	0,71	lb 0,87		
QC FF 18L FEMALE			MPa 42	mm 38	81	-	34	M26X1,5	15	18	kg 0,673	NC06L03S002
		Psi 6090	inch 1,50	3,19	-	1,34	0,59		0,71	lb 1,48		
QC FF 18L MALE	16	MPa 35	mm -	82	27	41	M26X1,5	15	18	kg 0,342	NC05LA3S000	
		Psi 5075	inch -	3,23	1,06	1,61		0,59	0,71	lb 0,75		
QC FF 18L FEMALE			MPa 35	mm 42	90	-	41	M26X1,5	15	18	kg 0,649	NC06LA3S000
		Psi 5075	inch 1,65	3,54	-	1,61	0,59		0,71	lb 1,43		
QC FF 22L MALE	19	MPa 35	mm -	84	27	41	M30X2	19	22	kg 0,339	NC05LA3S001	
		Psi 5075	inch -	3,31	1,06	1,61		0,75	0,87	lb 0,75		
QC FF 22L FEMALE			MPa 35	mm 42	92	-	41	M30X2	19	22	kg 0,636	NC06LA3S001
		Psi 5075	inch 1,65	3,62	-	1,61	0,75		0,87	lb 1,40		
QC FF 18L MALE	19	MPa 35	mm -	87	29,95	41	M26X1,5	15	18	kg 0,474	NC05L04S000	
		Psi 5075	inch -	3,43	1,18	1,61		0,59	0,71	lb 1,04		
QC FF 18L FEMALE			MPa 35	mm 44	98	-	41	M26X1,5	15	18	kg 0,89	NC06L04S000
		Psi 5075	inch 1,73	3,86	-	1,61	0,59		0,71	lb 1,96		
QC FF 22L MALE	19	MPa 35	mm -	89	29,95	41	M30X2	19	22	kg 0,461	NC05L04S001	
		Psi 5075	inch -	3,50	1,18	1,61		0,75	0,87	lb 1,02		
QC FF 22L FEMALE			MPa 35	mm 44	100	-	41	M30X2	19	22	kg 0,882	NC06L04S001
		Psi 5075	inch 1,73	3,94	-	1,61	0,75		0,87	lb 1,94		


**QUICK COUPLINGS ISO 16028 FLAT FACE (male / female)  
MALE THREAD METRIC ISO 8434-1-S (DIN 2353) BULKHEAD**
**CS**

Carbon Steel

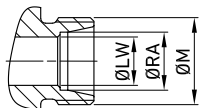
TYPE	DN	PN	ØA	C	Ød	ch	ØM	ØLW	ØRA	WEIGHT	ITEM CODE
QC FF 8S BK MALE	6,3	MPa 42	mm -	69,5	16,15	24	M16X1,5	5	8	kg 0,254	NC05I010000
		Psi 6090	inch -	2,74	0,64	0,94		0,20	0,31	lb 0,56	
QC FF 8S BK FEMALE	6,3	MPa 42	mm 27	83	-	24	M16X1,5	5	8	kg 0,359	NC06I010000
		Psi 6090	inch 1,06	3,27	-	0,94		0,20	0,31	lb 0,79	
QC FF 12S BK MALE	10	MPa 42	mm -	87	19,75	30	M20X1,5	8	12	kg 0,24	NC05I020000
		Psi 6090	inch -	3,43	0,78	1,18		0,31	0,47	lb 0,53	
QC FF 12S BK FEMALE	10	MPa 42	mm 31	96,5	-	30	M20X1,5	8	12	kg 0,726	NC06I020000
		Psi 6090	inch 1,22	3,80	-	1,18		0,31	0,47	lb 1,60	
QC FF 16S BK MALE	12,5	MPa 42	mm -	92	24,5	34	M24X1,5	12	16	kg 0,546	NC05I030000
		Psi 6090	inch -	3,62	0,96	1,34		0,47	0,63	lb 1,20	
QC FF 16S BK FEMALE	12,5	MPa 42	mm 38	98	-	34	M24X1,5	12	16	kg 0,95	NC06I030000
		Psi 6090	inch 1,50	3,86	-	1,34		0,47	0,63	lb 2,09	
QC FF 16S BK MALE	16	MPa 35	mm -	99	27	41	M24X1,5	12	16	kg 0,437	NC05IA30000
		Psi 5075	inch -	3,90	1,06	1,61		0,47	0,63	lb 0,96	
QC FF 16S BK FEMALE	16	MPa 35	mm 42	107	-	41	M24X1,5	12	16	kg 0,76	NC06IA30000
		Psi 5075	inch 1,65	4,21	-	1,61		0,47	0,63	lb 1,68	
QC FF 20S BK MALE	19	MPa 35	mm -	113	29,95	41	M30X2	16	20	kg 0,546	NC05I040000
		Psi 5075	inch -	4,45	1,18	1,61		0,63	0,79	lb 1,20	
QC FF 20S BK FEMALE	19	MPa 35	mm 44	124	-	41	M30X2	16	20	kg 0,957	NC06I040000
		Psi 5075	inch 1,73	4,88	-	1,61		0,63	0,79	lb 2,11	
QC FF 25S BK MALE	19	MPa 35	mm -	117	29,95	41	M36X2	20	25	kg 0,615	NC05I040001
		Psi 5075	inch -	4,61	1,18	1,61		0,79	0,98	lb 1,36	
QC FF 25S BK FEMALE	19	MPa 35	mm 44	128	-	41	M36X2	20	25	kg 1,027	NC06I040001
		Psi 5075	inch 1,73	5,04	-	1,61		0,79	0,98	lb 2,26	
QC FFE 25S BK MALE	25	MPa 35	mm -	128	36	50	M36X2	20	25	kg 0,937	NC05I050000
		Psi 5075	inch -	5,04	1,42	1,97		0,79	0,98	lb 2,07	
QC FF 25S BK FEMALE	25	MPa 35	mm 54,5	128	-	50	M36X2	20	25	kg 1,28	NC06I050000
		Psi 5075	inch 2,15	5,04	-	1,97		0,79	0,98	lb 2,82	


**QUICK COUPLINGS ISO 16028 FLAT FACE (male / female)  
MALE THREAD METRIC ISO 8434-1-S (DIN 2353) BULKHEAD**

SS

Stainless Steel

TYPE	DN	PN	ØA	C	Ød	ch	ØM	ØLW	ØRA	WEIGHT	ITEM CODE
QC FF 8S BK MALE	6,3	MPa 42	mm -	69,5	16,15	24	M16X1,5	5	8	kg 0,254	NC05I01S000
		Psi 6090	inch -	2,74	0,64	0,94		0,20	0,31	lb 0,56	
QC FF 8S BK FEMALE	6,3	MPa 42	mm 27	83	-	24	M16X1,5	5	8	kg 0,359	NC06I01S000
		Psi 6090	inch 1,06	3,27	-	0,94		0,20	0,31	lb 0,79	
QC FF 12S BK MALE	10	MPa 42	mm -	87	19,75	30	M20X1,5	8	12	kg 0,24	NC05I02S000
		Psi 6090	inch -	3,43	0,78	1,18		0,31	0,47	lb 0,53	
QC FF 12S BK FEMALE	10	MPa 42	mm 31	96,5	-	30	M20X1,5	8	12	kg 0,726	NC06I02S000
		Psi 6090	inch 1,22	3,80	-	1,18		0,31	0,47	lb 1,60	
QC FF 16S BK MALE	12,5	MPa 42	mm -	92	24,5	34	M24X1,5	12	16	kg 0,546	NC05I03S000
		Psi 6090	inch -	3,62	0,96	1,34		0,47	0,63	lb 1,20	
QC FF 16S BK FEMALE	12,5	MPa 42	mm 38	98	-	34	M24X1,5	12	16	kg 0,95	NC06I03S000
		Psi 6090	inch 1,50	3,86	-	1,34		0,47	0,63	lb 2,09	
QC FF 16S BK MALE	16	MPa 35	mm -	99	27	41	M24X1,5	12	16	kg 0,437	NC05IA3S000
		Psi 5075	inch -	3,90	1,06	1,61		0,47	0,63	lb 0,96	
QC FF 16S BK FEMALE	16	MPa 35	mm 42	107	-	41	M24X1,5	12	16	kg 0,76	NC06IA3S000
		Psi 5075	inch 1,65	4,21	-	1,61		0,47	0,63	lb 1,68	
QC FF 20S BK MALE	19	MPa 35	mm -	113	29,95	41	M30X2	16	20	kg 0,546	NC05I04S000
		Psi 5075	inch -	4,45	1,18	1,61		0,63	0,79	lb 1,20	
QC FF 20S BK FEMALE	19	MPa 35	mm 44	124	-	41	M30X2	16	20	kg 0,957	NC06I04S000
		Psi 5075	inch 1,73	4,88	-	1,61		0,63	0,79	lb 2,11	
QC FF 25S BK MALE	19	MPa 35	mm -	117	29,95	41	M36X2	20	25	kg 0,615	NC05I04S001
		Psi 5075	inch -	4,61	1,18	1,61		0,79	0,98	lb 1,36	
QC FF 25S BK FEMALE	19	MPa 35	mm 44	128	-	41	M36X2	20	25	kg 1,027	NC06I04S001
		Psi 5075	inch 1,73	5,04	-	1,61		0,79	0,98	lb 2,26	
QC FFE 25S BK MALE	25	MPa 35	mm -	128	36	50	M36X2	20	25	kg 0,937	NC05I05S000
		Psi 5075	inch -	5,04	1,42	1,97		0,79	0,98	lb 2,07	
QC FF 25S BK FEMALE	25	MPa 35	mm 54,5	128	-	50	M36X2	20	25	kg 1,28	NC06I05S000
		Psi 5075	inch 2,15	5,04	-	1,97		0,79	0,98	lb 2,82	

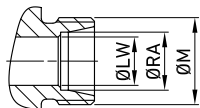


**QUICK COUPLINGS ISO 16028 FLAT FACE (male / female)  
MALE THREAD METRIC ISO 8434-1-L (DIN 2353) BULKHEAD**

CS

Carbon Steel

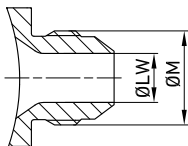
TYPE	DN	PN	ØA	C	Ød	ch	ØM	ØLW	ØRA	WEIGHT	ITEM CODE
QC FF 8L BK MALE	6,3	MPa 42	mm -	67,5	16,15	24	M14x1,5	6	8	kg 0,17	NC05M010000
		Psi 6090	inch -	2,66	0,64	0,94		0,24	0,31	lb 0,37	
QC FF 8L BK FEMALE	6,3	MPa 42	mm 27	81	-	24	M14x1,5	6	8	kg 0,258	NC06M010000
		Psi 6090	inch 1,06	3,19	-	0,94		0,24	0,31	lb 0,57	
QC FF 10L BK MALE	6,3	MPa 42	mm -	68,5	16,15	24	M16x1,5	8	10	kg 0,173	NC05M010001
		Psi 6090	inch -	2,70	0,64	0,94		0,31	0,39	lb 0,38	
QC FF 10L BK FEMALE	6,3	MPa 42	mm 27	82	-	24	M16x1,5	8	10	kg 0,261	NC06M010001
		Psi 6090	inch 1,06	3,23	-	0,94		0,31	0,39	lb 0,58	
QC FF 10L BK MALE	10	MPa 42	mm -	86	19,75	30	M16x1,5	8	10	kg 0,194	NC05M020000
		Psi 6090	inch -	3,39	0,78	1,18		0,31	0,39	lb 0,43	
QC FF 10L BK FEMALE	10	MPa 42	mm 31	95,5	-	30	M16x1,5	8	10	kg 0,492	NC06M020000
		Psi 6090	inch 1,22	3,76	-	1,18		0,31	0,39	lb 1,08	
QC FF 12L BK MALE	10	MPa 42	mm -	87	19,75	30	M18x1,5	10	12	kg 0,196	NC05M020001
		Psi 6090	inch -	3,43	0,78	1,18		0,39	0,47	lb 0,43	
QC FF 12L BK FEMALE	10	MPa 42	mm 31	96,5	-	30	M18x1,5	10	12	kg 0,49	NC06M020001
		Psi 6090	inch 1,22	3,80	-	1,18		0,39	0,47	lb 1,08	
QC FF 15L BK MALE	12,5	MPa 42	mm -	87	19,75	30	M22x1,5	12	15	kg 0,214	NC05M020002
		Psi 6090	inch -	3,43	0,78	1,18		0,47	0,59	lb 0,47	
QC FF 15L BK FEMALE	12,5	MPa 42	mm 31	96,5	-	30	M22x1,5	12	15	kg 0,503	NC06M020002
		Psi 6090	inch 1,22	3,80	-	1,18		0,47	0,59	lb 1,11	
QC FF 12L BK MALE	12,5	MPa 42	mm -	90	24,5	34	M18x1,5	10	12	kg 0,397	NC05M030000
		Psi 6090	inch -	3,54	0,96	1,34		0,39	0,47	lb 0,88	
QC FF 12L BK FEMALE	12,5	MPa 42	mm 38	96	-	34	M18x1,5	10	12	kg 0,679	NC06M030000
		Psi 6090	inch 1,50	3,78	-	1,34		0,39	0,47	lb 1,50	
QC FF 15L BK MALE	12,5	MPa 42	mm -	90	24,5	34	M22x1,5	12	15	kg 0,409	NC05M030001
		Psi 6090	inch -	3,54	0,96	1,34		0,47	0,59	lb 0,90	
QC FF 15L BK FEMALE	12,5	MPa 42	mm 38	96	-	34	M22x1,5	12	15	kg 0,691	NC06M030001
		Psi 6090	inch 1,50	3,78	-	1,34		0,47	0,59	lb 1,52	
QC FF 18L BK MALE	16	MPa 35	mm -	97	27	41	M26x1,5	15	18	kg 0,383	NC05MA30000
		Psi 5075	inch -	3,82	1,06	1,61		0,59	0,71	lb 0,84	
QC FF 18L BK FEMALE	16	MPa 35	mm 42	105	-	41	M26x1,5	15	18	kg 0,69	NC06MA30000
		Psi 5075	inch 1,65	4,13	-	1,61		0,59	0,71	lb 1,52	
QC FF 18L BK MALE	19	MPa 35	mm -	102	29,95	41	M26x1,5	15	18	kg 0,509	NC05M040000
		Psi 5075	inch -	4,02	1,18	1,61		0,59	0,71	lb 1,12	
QC FF 18L BK FEMALE	19	MPa 35	mm 44	113	-	41	M26x1,5	15	18	kg 0,935	NC06M040000
		Psi 5075	inch 1,73	4,45	-	1,61		0,59	0,71	lb 2,06	
QC FF 22L BK MALE	19	MPa 35	mm -	109	29,95	41	M30x2	19	22	kg 0,529	NC05M040001
		Psi 5075	inch -	4,29	1,18	1,61		0,75	0,87	lb 1,17	
QC FF 22L BK FEMALE	19	MPa 35	mm 44	120	-	41	M30x2	19	22	kg 0,945	NC06M040001
		Psi 5075	inch 1,73	4,72	-	1,61		0,75	0,87	lb 2,08	


**QUICK COUPLINGS ISO 16028 FLAT FACE (male / female)  
MALE THREAD METRIC ISO 8434-1-L (DIN 2353) BULKHEAD**

SS

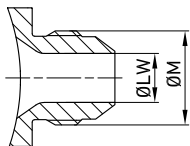
Stainless Steel

TYPE	DN	PN	ØA	C	Ød	ch	ØM	ØLW	ØRA	WEIGHT	ITEM CODE
QC FF 8L BK MALE	6,3	MPa 42	mm -	67,5	16,15	24	M14x1,5	6	8	kg 0,17	NC05M01S000
		Psi 6090	inch -	2,66	0,64	0,94		0,24	0,31	lb 0,37	
QC FF 8L BK FEMALE	6,3	MPa 42	mm 27	81	-	24	M14x1,5	6	8	kg 0,258	NC06M01S000
		Psi 6090	inch 1,06	3,19	-	0,94		0,24	0,31	lb 0,57	
QC FF 10L BK MALE	6,3	MPa 42	mm -	68,5	16,15	24	M16x1,5	8	10	kg 0,173	NC05M01S001
		Psi 6090	inch -	2,70	0,64	0,94		0,31	0,39	lb 0,38	
QC FF 10L BK FEMALE	6,3	MPa 42	mm 27	82	-	24	M16x1,5	8	10	kg 0,261	NC06M01S001
		Psi 6090	inch 1,06	3,23	-	0,94		0,31	0,39	lb 0,58	
QC FF 10L BK MALE	10	MPa 42	mm -	86	19,75	30	M16x1,5	8	10	kg 0,194	NC05M02S000
		Psi 6090	inch -	3,39	0,78	1,18		0,31	0,39	lb 0,43	
QC FF 10L BK FEMALE	10	MPa 42	mm 31	95,5	-	30	M16x1,5	8	10	kg 0,492	NC06M02S000
		Psi 6090	inch 1,22	3,76	-	1,18		0,31	0,39	lb 1,08	
QC FF 12L BK MALE	10	MPa 42	mm -	87	19,75	30	M18X1,5	10	12	kg 0,196	NC05M02S001
		Psi 6090	inch -	3,43	0,78	1,18		0,39	0,47	lb 0,43	
QC FF 12L BK FEMALE	10	MPa 42	mm 31	96,5	-	30	M18X1,5	10	12	kg 0,49	NC06M02S001
		Psi 6090	inch 1,22	3,80	-	1,18		0,39	0,47	lb 1,08	
QC FF 15L BK MALE	12,5	MPa 42	mm -	87	19,75	30	M22X1,5	12	15	kg 0,214	NC05M02S002
		Psi 6090	inch -	3,43	0,78	1,18		0,47	0,59	lb 0,47	
QC FF 15L BK FEMALE	12,5	MPa 42	mm 31	96,5	-	30	M22X1,5	12	15	kg 0,503	NC06M02S002
		Psi 6090	inch 1,22	3,80	-	1,18		0,47	0,59	lb 1,11	
QC FF 12L BK MALE	12,5	MPa 42	mm -	90	24,5	34	M18X1,5	10	12	kg 0,397	NC05M03S000
		Psi 6090	inch -	3,54	0,96	1,34		0,39	0,47	lb 0,88	
QC FF 12L BK FEMALE	12,5	MPa 42	mm 38	96	-	34	M18X1,5	10	12	kg 0,679	NC06M03S000
		Psi 6090	inch 1,50	3,78	-	1,34		0,39	0,47	lb 1,50	
QC FF 15L BK MALE	12,5	MPa 42	mm -	90	24,5	34	M22X1,5	12	15	kg 0,409	NC05M03S001
		Psi 6090	inch -	3,54	0,96	1,34		0,47	0,59	lb 0,90	
QC FF 15L BK FEMALE	12,5	MPa 42	mm 38	96	-	34	M22X1,5	12	15	kg 0,691	NC06M03S001
		Psi 6090	inch 1,50	3,78	-	1,34		0,47	0,59	lb 1,52	
QC FF 18L BK MALE	16	MPa 35	mm -	97	27	41	M26X1,5	15	18	kg 0,383	NC05MA3S000
		Psi 5075	inch -	3,82	1,06	1,61		0,59	0,71	lb 0,84	
QC FF 18L BK FEMALE	16	MPa 35	mm 42	105	-	41	M26X1,5	15	18	kg 0,69	NC06MA3S000
		Psi 5075	inch 1,65	4,13	-	1,61		0,59	0,71	lb 1,52	
QC FF 18L BK MALE	19	MPa 35	mm -	102	29,95	41	M26X1,5	15	18	kg 0,509	NC05M04S000
		Psi 5075	inch -	4,02	1,18	1,61		0,59	0,71	lb 1,12	
QC FF 18L BK FEMALE	19	MPa 35	mm 44	113	-	41	M26X1,5	15	18	kg 0,935	NC06M04S000
		Psi 5075	inch 1,73	4,45	-	1,61		0,59	0,71	lb 2,06	
QC FF 22L BK MALE	19	MPa 35	mm -	109	29,95	41	M30X2	19	22	kg 0,529	NC05M04S001
		Psi 5075	inch -	4,29	1,18	1,61		0,75	0,87	lb 1,17	
QC FF 22L BK FEMALE	19	MPa 35	mm 44	120	-	41	M30X2	19	22	kg 0,945	NC06M04S001
		Psi 5075	inch 1,73	4,72	-	1,61		0,75	0,87	lb 2,08	


**QUICK COUPLINGS ISO 16028 FLAT FACE (male / female)  
MALE THREAD ISO 8434-2 (SAE J514) JIC**

TYPE	DN	PN	ØA	C	Ød	ch	ØM	ØLW	WEIGHT	ITEM CODE
QC FF 3/8 JIC MALE	6,3	MPa 42	mm -	50	16,15	24	9/16-18 UNF	7,5	kg 0,153	NC05J010000
		Psi 6090	inch -	1,97	0,64	0,94		0,30	lb 0,34	
QC FF 3/8 JIC FEMALE		MPa 42	mm 27	63,6	-	24	9/16-18 UNF	7,5	kg 0,246	NC0JG010000
		Psi 6090	inch 1,06	2,50	-	0,94		0,30	lb 0,54	
QC FF 3/8 JIC MALE	10	MPa 42	mm -	68,2	19,75	30	9/16-18 UNF	7,5	kg 0,18	NC05J020000
		Psi 6090	inch -	2,69	0,78	1,18		0,30	lb 0,40	
QC FF 3/8 JIC FEMALE		MPa 42	mm 31	77,8	-	30	9/16-18 UNF	7,5	kg 0,473	NC06J020000
		Psi 6090	inch 1,22	3,06	-	1,18		0,30	lb 1,04	
QC FF 5/8 JIC MALE		MPa 42	mm -	73,4	19,75	30	7/8-14 UNF	12,3	kg 0,18	NC05J020001
		Psi 6090	inch -	2,89	0,78	1,18		0,48	lb 0,40	
QC FF 5/8 JIC FEMALE		MPa 42	mm 31	83	-	30	7/8-14 UNF	12,3	kg 0,469	NC06J020001
		Psi 6090	inch 1,22	3,27	-	1,18		0,48	lb 1,03	
QC FF 1/2 JIC MALE	MPa 42	mm -	70	19,75	30	3/4-16 UNF	9,9	kg 0,184	NC05J020002	
	Psi 6090	inch -	2,76	0,78	1,18		0,39	lb 0,41		
QC FF 1/2 JIC FEMALE	MPa 42	mm 31	80	-	30	3/4-16 UNF	9,9	kg 0,477	NC06J020002	
	Psi 6090	inch 1,22	3,15	-	1,18		0,39	lb 1,05		
QC FF 1/2 JIC MALE	12,5	MPa 42	mm -	76,2	24,5	34	3/4-16 UNF	9,9	kg 0,376	NC05J030000
		Psi 6090	inch -	3,00	0,96	1,34		0,39	lb 0,83	
QC FF 1/2 JIC FEMALE		MPa 42	mm 38	82,2	-	34	3/4-16 UNF	9,9	kg 0,658	NC06J030000
		Psi 6090	inch 1,50	3,24	-	1,34		0,39	lb 1,45	
QC FF 5/8 JIC MALE		MPa 42	mm -	79,3	24,5	34	7/8-14 UNF	12,3	kg 0,384	NC05J030001
		Psi 6090	inch -	3,12	0,96	1,34		0,48	lb 0,85	
QC FF 5/8 JIC FEMALE		MPa 42	mm 38	85,3	-	34	7/8-14 UNF	12,3	kg 0,665	NC06J030001
		Psi 6090	inch 1,50	3,36	-	1,34		0,48	lb 1,47	
QC FF 3/4 JIC MALE		MPa 42	mm -	81,9	24,5	34	1-1/16-12 UN	15,5	kg 0,396	NC05J030002
		Psi 6090	inch -	3,22	0,96	1,34		0,61	lb 0,87	
QC FF 3/4 JIC FEMALE		MPa 42	mm 38	87,9	-	34	1-1/16-12 UN	15,5	kg 0,673	NC06J030002
		Psi 6090	inch 1,50	3,46	-	1,34		0,61	lb 1,48	
QC FF 1 JIC MALE		MPa 42	mm -	83,1	24,5	34	1-5/16-12 UN	21,5	kg 0,34	NC05J030003
		Psi 6090	inch -	3,27	0,96	1,34		0,85	lb 0,75	
QC FF 1 JIC FEMALE		MPa 42	mm 38	89	-	34	1-5/16-12 UN	21,5	kg 0,66	NC06J030003
		Psi 6090	inch 1,50	3,50	-	1,34		0,85	lb 1,46	
"C FF 1 JIC MALE	16	MPa 35	mm -	84,3	27	41	1-5/16-12 UN	21,5	kg 0,342	NC05JA30000
		Psi 5075	inch -	3,32	1,06	1,61		0,85	lb 0,75	
"C FF 1 JIC FEMALE		MPa 35	mm 42	92	-	41	1-5/16-12 UN	21,5	kg 0,649	NC06JA30000
		Psi 5075	inch 1,65	3,62	-	1,61		0,85	lb 1,43	




**QUICK COUPLINGS ISO 16028 FLAT FACE (male / female)  
MALE THREAD ISO 8434-2 (SAE J514) JIC**

SS

Stainless Steel

TYPE	DN	PN	ØA	C	Ød	ch	ØM	ØLW	WEIGHT	ITEM CODE
QC FF 3/8 JIC MALE	6,3	MPa 42	mm -	50	16,15	24	9/16-18 UNF	7,5	kg 0,153	NC05J01S000
		Psi 6090	inch -	1,97	0,64	0,94		0,30	lb 0,34	
QC FF 3/8 JIC FEMALE	6,3	MPa 42	mm 27	63,6	-	24	9/16-18 UNF	7,5	kg 0,246	NC0JG01S000
		Psi 6090	inch 1,06	2,50	-	0,94		0,30	lb 0,54	
QC FF 3/8 JIC MALE	10	MPa 42	mm -	73,4	19,75	30	9/16-18 UNF	7,5	kg 0,18	NC05J02S000
		Psi 6090	inch -	2,89	0,78	1,18		0,30	lb 0,40	
QC FF 3/8 JIC FEMALE	10	MPa 42	mm 31	83	-	30	9/16-18 UNF	7,5	kg 0,473	NC06J02S000
		Psi 6090	inch 1,22	3,27	-	1,18		0,30	lb 1,04	
QC FF 5/8 JIC MALE	10	MPa 42	mm -	68,2	19,75	30	7/8-14 UNF	12,3	kg 0,18	NC05J02S001
		Psi 6090	inch -	2,69	0,78	1,18		0,48	lb 0,40	
QC FF 5/8 JIC FEMALE	10	MPa 42	mm 31	77,8	-	30	7/8-14 UNF	12,3	kg 0,469	NC06J02S001
		Psi 6090	inch 1,22	3,06	-	1,18		0,48	lb 1,03	
QC FF 1/2 JIC MALE	12,5	MPa 42	mm -	70	19,75	30	3/4-16 UNF	9,9	kg 0,184	NC05J02S002
		Psi 6090	inch -	2,76	0,78	1,18		0,39	lb 0,41	
QC FF 1/2 JIC FEMALE	12,5	MPa 42	mm 31	80	-	30	3/4-16 UNF	9,9	kg 0,477	NC06J02S002
		Psi 6090	inch 1,22	3,15	-	1,18		0,39	lb 1,05	
QC FF 1/2 JIC MALE	12,5	MPa 42	mm -	76,2	24,5	34	3/4-16 UNF	9,9	kg 0,376	NC05J03S000
		Psi 6090	inch -	3,00	0,96	1,34		0,39	lb 0,83	
QC FF 1/2 JIC FEMALE	12,5	MPa 42	mm 38	82,2	-	34	3/4-16 UNF	9,9	kg 0,658	NC06J03S000
		Psi 6090	inch 1,50	3,24	-	1,34		0,39	lb 1,45	
QC FF 5/8 JIC MALE	12,5	MPa 42	mm -	79,3	24,5	34	7/8-14 UNF	12,3	kg 0,384	NC05J03S001
		Psi 6090	inch -	3,12	0,96	1,34		0,48	lb 0,85	
QC FF 5/8 JIC FEMALE	12,5	MPa 42	mm 38	85,3	-	34	7/8-14 UNF	12,3	kg 0,665	NC06J03S001
		Psi 6090	inch 1,50	3,36	-	1,34		0,48	lb 1,47	
QC FF 3/4 JIC MALE	16	MPa 42	mm -	81,9	24,5	34	1-1/16-12 UN	15,5	kg 0,396	NC05J03S002
		Psi 6090	inch -	3,22	0,96	1,34		0,61	lb 0,87	
QC FF 3/4 JIC FEMALE	16	MPa 42	mm 38	87,9	-	34	1-1/16-12 UN	15,5	kg 0,673	NC06J03S002
		Psi 6090	inch 1,50	3,46	-	1,34		0,61	lb 1,48	
QC FF 1 JIC MALE	16	MPa 42	mm -	83,1	24,5	34	1-5/16-12 UN	21,5	kg 0,34	NC05J03S003
		Psi 6090	inch -	3,27	0,96	1,34		0,85	lb 0,75	
QC FF 1 JIC FEMALE	16	MPa 42	mm 38	89	-	34	1-5/16-12 UN	21,5	kg 0,66	NC06J03S003
		Psi 6090	inch 1,50	3,50	-	1,34		0,85	lb 1,46	
QC FF 1 JIC MALE	16	16 35	mm -	84,3	27	41	1-5/16-12 UN	21,5	kg 0,342	NC05JA3S000
		Psi 5075	inch -	3,32	1,06	1,61		0,85	lb 0,75	
QC FF 1 JIC FEMALE	16	MPa 35	mm 42	92	-	41	1-5/16-12 UN	21,5	kg 0,649	NC06JA3S000
		Psi 5075	inch 1,65	3,62	-	1,61		0,85	lb 1,43	



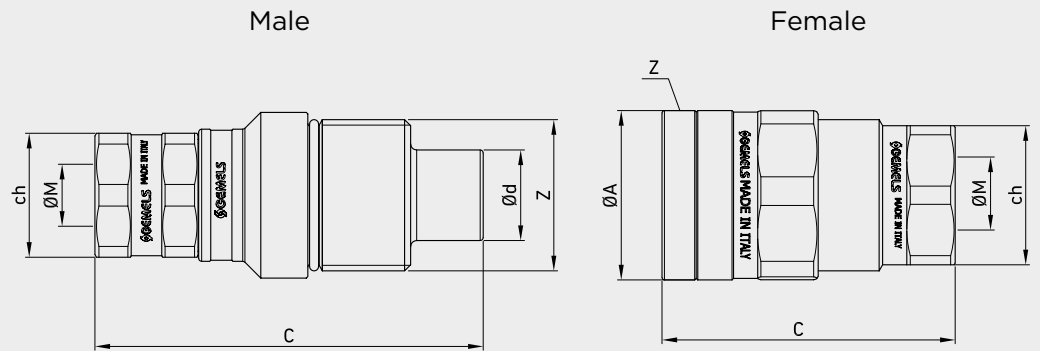
# VGf

## FLAT FACE SCREW COUPLING

Edition. 21.3

### CS Carbon Steel

- Type: Quick Couplings
- Models: Flat Face Screw Coupling
- Sizes: from DN13 up to DN32
- Pressure: up to PN480
- Treatment: Galvanized



### CAPS VGf

- Sizes: from DN13 up to DN32
- Material: anodized aluminum
- Colors available





**CODE DESCRIPTION STRUCTURE**

<b>QC</b>	<b>G 1/2</b>	<b>M/F</b>	<b>DN12,5</b>	<b>1</b>	<b>B</b>
-----------	--------------	------------	---------------	----------	----------

**Type of coupling**

FLAT FACE SCREW

**Ends**

ISO 1179-1	ASME B1.20.1	ISO 11926-1
<b>BSPP</b>	<b>NPT</b>	<b>(SAE J1926-1) ORB</b>
G3/8	N3/8	SAE6
G1/2	N1/2	SAE8
G1/2	N 1/2	SAE8
G3/4	N 3/4	SAE12
G3/4	N 3/4	
G3/4	N 3/4	SAE12
G/1	N1	SAE16
G1	N1	SAE16
G1 1/4	N1 1/4	SAE20
G1 1/2	N1 1/2	/

MALE  
FEMALE

**DN/ISO**

- 10
- 10
- 12,5
- 12,5
- 16
- 19
- 19
- 25
- 25
- 25

**Body Material**

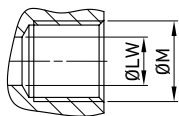
- 1 = 1,0737

**Seal material**

- B = NBR E = FKM\*

\*On request

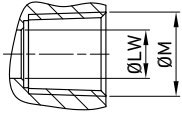
- Interchangeable with Stucchi profile/  
compatible with Stucchi VEP series



## QUICK COUPLINGS FLAT FACE SCREW (male / female) FEMALE THREAD ISO 1179-1 BSPP

											CS Carbon Steel
TYPE	DN	PN	ØA	C	Z	Ød	ch	ØM	WEIGHT		ITEM CODE
QC VGF G 3/8 MALE	10	MPa 55	mm -	91,5	M33X2	19,75	30	G3/8	kg 0,4	NC29G020000	
		Psi 7975	inch -	3,60		0,78	1,18		lb 0,88		
QC VGF G 3/8 FEMALE		MPa 42	mm 38,5	74,3	M33X2	-	30	G3/8	kg 0,9	NC30G020000	
		Psi 6090	inch 1,52	2,93		-	1,18		lb 1,98		
QC VGF G 1/2 MALE		10	MPa 55	mm -	95,5	M33X2	19,75	30	G1/2	kg 0,5	NC29G020001
			Psi 7975	inch -	3,76		0,78	1,18		lb 1,10	
QC VGF G 1/2 FEMALE		10	MPa 42	mm 38,5	78,3	M33X2	-	30	G1/2	kg 1	NC30G020001
			Psi 6090	inch 1,52	3,08		-	1,18		lb 2,20	
QC VGF G 1/2 MALE		12,5	MPa 55	mm -	103	M40X3	24,5	34	G1/2	kg 0,85	NC29G030000
			Psi 7975	inch -	4,06		0,96	1,34		lb 1,87	
QC VGF G 1/2 FEMALE	12,5		MPa 42	mm 46	84,3	M40X3	-	36	G1/2	kg 1,25	NC30G030000
			Psi 6090	inch 1,81	3,32		-	1,42		lb 2,76	
QC VGF G 3/4 MALE	12,5		MPa 55	mm -	106	M40X3	24,5	34	G3/4	kg 0,9	NC29G030001
			Psi 7975	inch -	4,17		0,96	1,34		lb 1,98	
QC VGF G 3/4 FEMALE	12,5		MPa 42	mm 46	86	M40X3	-	36	G3/4	kg 1,4	NC30G030001
			Psi 6090	inch 1,81	3,39		-	1,42		lb 0,30	
QC VGF G 3/4 MALE	16		MPa 55	mm -	98,8	M45X3	27	36	G3/4	kg 1,1	NC29GA30000
			Psi 7975	inch -	3,89		1,06	1,42		lb 2,43	
QC VGF G 3/4 FEMALE		16	MPa 35	mm 53,7	85	M45X3	-	41	G3/4	kg 1,5	NC30GA30000
			Psi 5075	inch 2,11	3,35		-	1,61		lb 3,31	
QC VGF G 3/4 MALE		19	MPa 50	mm -	128,5	M50X3	29,95	41	G3/4	kg 1,25	NC29G040000
			Psi 7250	inch -	5,06		1,18	1,61		lb 2,76	
QC VGF G 3/4 FEMALE	19		MPa 35	mm 56	97,7	M50X3	-	46	G3/4	kg 1,5	NC30G040000
			Psi 5075	inch 2,20	3,85		-	1,81		lb 3,31	
QC VGF G 1 MALE	19		MPa 50	mm -	132	M50X3	29,95	41	G1	kg 1,3	NC29G040001
			Psi 7250	inch -	5,20		1,18	1,61		lb 2,87	
QC VGF G 1 FEMALE	19		MPa 35	mm 56	101,7	M50X3	-	46	G1	kg 1,55	NC30G040001
			Psi 5075	inch 2,20	4,00		-	1,81		lb 3,42	
QC VGF G 1 MALE	25		MPa 47	mm -	143,2	M58X3	36	50	G1	kg 1,7	NC29G050000
			Psi 6815	inch -	5,64		1,42	1,97		lb 3,75	
QC VGF G 1 FEMALE		25	MPa 35	mm 69,8	104	M58X3	-	55	G1	kg 1,8	NC30G050000
			Psi 5075	inch 2,75	4,09		-	2,17		lb 3,97	
QC VGF G 1 1/4 MALE		25	MPa 47	mm -	145,7	M58X3	36	50	G1 1/4	kg 1,8	NC29G050001
			Psi 6815	inch -	5,74		1,42	1,97		lb 3,97	
QC VGF G 1 1/4 FEMALE		25	MPa 35	mm 69,8	105	M58X3	-	55	G1 1/4	kg 1,9	NC30G050001
			Psi 5075	inch 2,75	4,13		-	2,17		lb 4,19	
QC VGF G 1 1/2 MALE		25	MPa 47	mm -	145,7	M58X3	36	55	G1 1/2	kg 1,9	NC29G050002
			Psi 6815	inch -	5,74		1,42	2,17		lb 4,19	
QC VGF G 1 1/2 FEMALE	25	MPa 35	mm 69,8	105	M58X3	-	55	G1 1/2	kg 2	NC30G050002	
		Psi 5075	inch 2,75	4,13		-	2,17		lb 4,41		

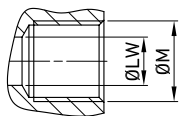
ABOVE ISO 25 N 1 1/4: ON REQUEST  
DIFFERENT THREADS AVAILABLE ON REQUEST



## QUICK COUPLINGS FLAT FACE SCREW (male / female) FEMALE THREAD ASME B1.20.1 NPT

											CS Carbon Steel		
TYPE	DN	PN	ØA	C	Z	Ød	ch	ØM	WEIGHT		ITEM CODE		
QC VGF N 3/8 MALE	10	MPa 55	mm -	93,5	M33X2	19,75	30	N3/8	kg	0,4	NC29N020000		
		Psi 7975	inch -	3,68		0,78	1,18		lb	0,88			
QC VGF N 3/8 FEMALE		MPa 42	mm 38,5	75,3	M33X2	-	30	N3/8	kg	0,9	NC30N020000		
		Psi 6090	inch 1,52	2,96		-	1,18		lb	1,98			
QC VGF N 1/2 MALE		MPa 55	mm -	98,3	M33X2	19,75	30	N1/2	kg	0,5	NC29N020001		
		Psi 7975	inch -	3,87		0,78	1,18		lb	1,10			
QC VGF N 1/2 FEMALE		MPa 42	mm 38,5	81,3	M33X2	-	30	N1/2	kg	1	NC30N020001		
		Psi 6090	inch 1,52	3,20		-	1,18		lb	2,20			
QC VGF N 1/2 MALE		12,5	MPa 55	mm -	103	M40X3	24,5	34	N1/2	kg	0,85	NC29N030000	
			Psi 7975	inch -	4,06		0,96	1,34		lb	1,87		
QC VGF N 1/2 FEMALE			MPa 42	mm 46	84,3	M40X3	-	36	N1/2	kg	1,25	NC30N030000	
			Psi 6090	inch 1,81	3,32		-	1,42		lb	2,76		
QC VGF N 3/4 MALE			MPa 55	mm -	106	M40X3	24,5	34	N1/2	kg	0,9	NC29N030001	
			Psi 7975	inch -	4,17		0,96	1,34		lb	1,98		
QC VGF N 3/4 FEMALE	MPa 42		mm 46	86	M40X3	-	36	N1/2	kg	1,4	NC30N030001		
	Psi 6090		inch 1,81	3,39		-	1,42		lb	3,09			
QC VGF N 3/4 MALE	16		MPa 55	mm -	98,8	M45X3	27	36	N3/4	kg	1,1	NC29NA30000	
			Psi 7975	inch -	3,89		1,06	1,42		lb	2,43		
QC VGF N 3/4 FEMALE			MPa 35	mm 53,7	85	M45X3	-	41	N3/4	kg	1,5	NC30NA30000	
			Psi 5075	inch 2,11	3,35		-	1,61		lb	3,31		
QC VGF N 3/4 MALE			19	MPa 50	mm -	128,5	M50X3	29,95	46	N3/4	kg	1,25	NC29N040000
				Psi 7250	inch -	5,06		1,18	1,81		lb	2,76	
QC VGF N 3/4 FEMALE		MPa 35		mm 56	97,7	M50X3	-	46	N3/4	kg	1,5	NC30N040000	
		Psi 5075		inch 2,20	3,85		-	1,81		lb	3,31		
QC VGF N 1 MALE		MPa 50		mm -	132	M50X3	29,95	41	N1	kg	1,3	NC29N040001	
		Psi 7250		inch -	5,20		1,18	1,61		lb	2,87		
QC VGF N 1 FEMALE		MPa 35		mm 56	101,7	M50X3	-	46	N1	kg	1,55	NC30N040001	
		Psi 5075		inch 2,20	4,00		-	1,81		lb	3,42		
QC VGF N 1 MALE		25		MPa 47	mm -	143,2	M58X3	36	50	N1	kg	1,7	NC29N050000
				Psi 6815	inch -	5,64		1,42	1,97		lb	3,75	
QC VGF N 1 FEMALE	MPa 35			mm 69,8	104	M58X3	-	55	N1	kg	1,8	NC30N050000	
	Psi 5075			inch 2,75	4,09		-	2,17		lb	3,97		
QC VGF N 1 1/4 MALE	MPa 47			mm -	145,7	M58X3	36	50	N1 1/4	kg	1,8	NC29N050001	
	Psi 6815			inch -	5,74		1,42	1,97		lb	3,97		
QC VGF N 1 1/4 FEMALE	MPa 35		mm 69,8	104	M58X3	-	55	N1 1/4	kg	1,9	NC30N050001		
	Psi 5075		inch 2,75	4,09		-	2,17		lb	4,19			
QC VGF N 1 1/2 MALE	MPa 47		mm -	145,7	M58X3	36	55	N1 1/2	kg	1,9	NC29N050002		
	Psi 6815		inch -	5,74		1,42	2,17		lb	4,19			
QC VGF N 1 1/2 FEMALE	MPa 35		mm 69,8	104	M58X3	-	55	N1 1/2	kg	2	NC30N050002		
	Psi 5075		inch 2,75	4,09		-	2,17		lb	4,41			

ABOVE ISO 25 N 1 1/4: ON REQUEST  
DIFFERENT THREADS AVAILABLE ON REQUEST



**QUICK COUPLINGS FLAT FACE SCREW (male / female)  
FEMALE THREAD ISO 11926-1 (SAE J1926-1) ORB**

											CS Carbon Steel
TYPE	DN	PN	ØA	C	Z	Ød	ch	ØM	WEIGHT		ITEM CODE
QC VGF SAE6 MALE	10	MPa 55	mm -	92,5	M33X2	19,75	30	9/16-18 UNF	kg 0,4	NC29S020000	
		Psi 7975	inch -	3,64		0,78	1,18		lb 0,88		
QC VGF SAE6 FEMALE		MPa 42	mm 38,5	74,3	M33X2	-	30	9/16-18 UNF	kg 0,9	NC30S020000	
		Psi 6090	inch 1,52	2,93		-	1,18		lb 1,98		
QC VGF SAE8 MALE		MPa 55	mm -	95,5	M33X2	19,75	30	3/4-16 UNF	kg 0,5	NC29S020001	
		Psi 7975	inch -	3,76		0,78	1,18		lb 1,10		
QC VGF SAE8 FEMALE		MPa 42	mm 38,5	78,3	M33X2	-	30	3/4-16 UNF	kg 1	NC30S020001	
		Psi 6090	inch 1,52	3,08		-	1,18		lb 2,20		
QC VGF SAE8 MALE		12,5	MPa 55	mm -	103	M40X3	24,5	34	3/4-16 UNF	kg 0,85	NC29S030000
			Psi 7975	inch -	4,06		0,96	1,34		lb 1,87	
QC VGF SAE8 FEMALE			MPa 42	mm 46	84,3	M40X3	-	36	3/4-16 UNF	kg 1,25	NC30S030000
			Psi 6090	inch 1,81	3,32		-	1,42		lb 2,76	
QC VGF SAE12 MALE	MPa 55		mm -	108,5	M40X3	24,5	34	1-1/16-12 UN	kg 0,9	NC29S030001	
	Psi 7975		inch -	4,27		0,96	1,34		lb 1,98		
QC VGF SAE12 FEMALE	MPa 42		mm 46	87,3	M40X3	-	36	1-1/16-12 UN	kg 1,4	NC30S030001	
	Psi 6090		inch 1,81	3,44		-	1,42		lb 0,30		
QC VGF SAE12 MALE	19		MPa 50	mm -	130	M50X3	29,95	41	1-1/16-12 UN	kg 1,25	NC29S040000
			Psi 7250	inch -	5,12		1,18	1,61		lb 2,76	
QC VGF SAE12 FEMALE			MPa 35	mm 56	99,7	M50X3	-	46	1-1/16-12 UN	kg 1,5	NC30S040000
			Psi 5075	inch 2,20	3,93		-	1,81		lb 3,31	
QC VGF SAE16 MALE		MPa 50	mm -	132	M50X3	29,95	41	1 5/16-12 UN	kg 1,3	NC29S040001	
		Psi 7250	inch -	5,20		1,18	1,61		lb 2,87		
QC VGF SAE16 FEMALE		MPa 35	mm 56	101,7	M50X3	-	46	1 5/16-12 UN	kg 1,55	NC30S040001	
		Psi 5075	inch 2,20	4,00		-	1,81		lb 3,42		
QC VGF SAE16 MALE		25	MPa 47	mm -	143,2	M58X3	36	50	"1 5/16-12 UN"	kg 1,7	NC29S050000
			Psi 6815	inch -	5,64		1,42	1,97		lb 3,75	
QC VGF SAE16 FEMALE			MPa 35	mm 69,8	104	M58X3	-	55	"1 5/16-12 UN"	kg 1,8	NC30S050000
			Psi 5075	inch 2,75	4,09		-	2,17		lb 3,97	
QC VGF SAE20 MALE	MPa 47		mm -	145,7	M58X3	36	50	"1 5/8-12 UN"	kg 1,8	NC29S050001	
	Psi 6815		inch -	5,74		1,42	1,97		lb 3,97		
QC VGF SAE20 FEMALE	MPa 35		mm 69,8	104	M58X3	-	55	"1 5/8-12 UN"	kg 1,9	NC30S050001	
	Psi 5075		inch 2,75	4,09		-	2,17		lb 4,19		





# FFAP

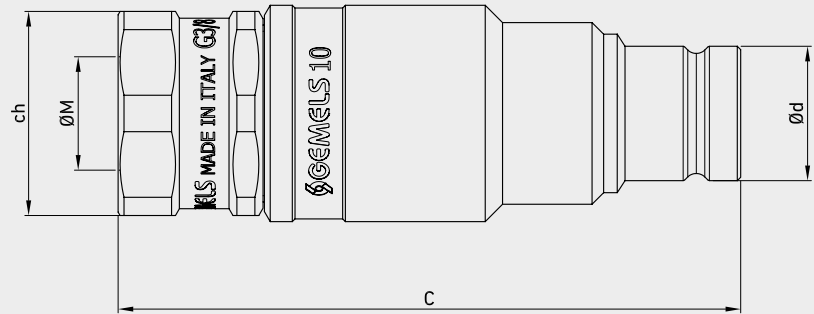
ISO 16028 - FLAT FACE CONNECTION UNDER PRESSURE

Edition. 21.5

## CS Carbon Steel

- Type: Quick Couplings
- Models: ISO 16028
- Sizes: from DN6 up to DN25
- Pressure: up to PN420
- Treatment: Galvanized

Male



Available also in patented version: ball valve with integrated quick coupling.





CODE DESCRIPTION STRUCTURE

QC	G 1/2	M	DN12,5	1	B
----	-------	---	--------	---	---

Type of coupling

FFAP FLAT FACE

Ends

ISO 1179-1	ASME	ISO 11926-1
BSPP	B1.20.1 NPT	(SAE J1926-1) ORB
G 3/8	N 3/8	SAE6
G 1/2	N 1/2	SAE8
G 1/2	N 1/2	SAE8
G 3/4	N 3/4	SAE12
G 3/4	N 3/4	SAE12
G1	N 1	SAE16
G1	N1	SAE16
G1 1/4	N1 1/4	SAE20
G1 1/2	N1 1/2	/

MALE

DN/ISO

- 10
- 10
- 12,5
- 12,5
- 19
- 19
- 25
- 25
- 25

Body Material

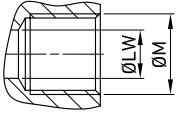
- 1 = 1,0737

Seal material

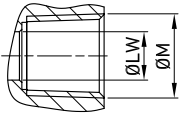
- B = NBR E = FKM\*



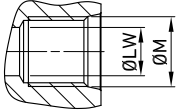
\*On request  
• Plugs


**QUICK COUPLINGS FLAT FACE CONNECTION UNDER PRESSURE (FFAP) (male)  
FEMALE THREAD ISO 1179-1 BSPP**

TYPE	DN	PN		C	Ød	ch	ØM	WEIGHT		CS Carbon Steel	
								kg	lb	ITEM CODE	
QC FFAP G 3/8 MALE	10	MPa	42	mm	91,5	19,75	30	G 3/8	kg	0,3	NC13G020000
		Psi	6090	inch	3,60	0,78			lb	0,66	
QC FFAP G 1/2 MALE	10	MPa	42	mm	95,6	19,75	30	G 1/2	kg	0,45	NC13G020001
		Psi	6090	inch	3,76	0,78			lb	0,99	
QC FFAP G 1/2 MALE	12,5	MPa	42	mm	103	24,5	34	G 1/2	kg	0,65	NC13G030000
		Psi	6090	inch	4,06	0,96			lb	1,43	
QC FFAP G 3/4 MALE	12,5	MPa	42	mm	106	24,5	34	G 3/4	kg	0,7	NC13G030001
		Psi	6090	inch	4,17	0,96			lb	1,54	
QC FFAP G 3/4 MALE	19	MPa	35	mm	128,5	29,95	41	G 3/4	kg	0,85	NC13G040000
		Psi	5075	inch	5,06	1,18			lb	1,87	
QC FFAP G 1 MALE	19	MPa	35	mm	132	29,95	41	G 1	kg	0,9	NC13G040001
		Psi	5075	inch	5,20	1,18			lb	1,98	
QC FFAP G 1 MALE	25	MPa	35	mm	143	36	50	G 1	kg	1,35	NC13G050000
		Psi	5075	inch	5,63	1,42			lb	2,98	
QC FFAP G 1 1/4 MALE	25	MPa	35	mm	145,7	36	50	G1 1/4	kg	1,4	NC13G050001
		Psi	5075	inch	5,74	1,42			lb	3,09	
QC FFAP G 1 1/2 MALE	25	MPa	35	mm	145,7	36	55	G1 1/2	kg	1,45	NC13G050002
		Psi	5075	inch	5,74	1,42			lb	3,20	


**QUICK COUPLINGS FLAT FACE CONNECTION UNDER PRESSURE (FFAP) (male)  
FEMALE THREAD ASME B1.20.1 NPT**

TYPE	DN	PN		C	Ød	ch	ØM	WEIGHT		CS Carbon Steel	
								kg	lb	ITEM CODE	
QC FFAP N 3/8 MALE	10	MPa	42	mm	93,5	19,75	30	N 3/8	kg	0,3	NC13N020000
		Psi	6090	inch	3,68	0,78			lb	0,66	
QC FFAP N 1/2 MALE	10	MPa	42	mm	98,3	19,75	30	N 1/2	kg	0,45	NC13N020001
		Psi	6090	inch	3,87	0,78			lb	0,99	
QC FFAP N 1/2 MALE	12,5	MPa	42	mm	103	24,5	34	N 1/2	kg	0,65	NC13N030000
		Psi	6090	inch	4,06	0,96			lb	1,43	
QC FFAP N 3/4 MALE	12,5	MPa	42	mm	106	24,5	34	N 3/4	kg	0,7	NC13N030001
		Psi	6090	inch	4,17	0,96			lb	1,54	
QC FFAP N 3/4 MALE	19	MPa	35	mm	128,5	29,95	41	N 3/4	kg	0,85	NC13N040000
		Psi	5075	inch	5,06	1,18			lb	1,87	
QC FFAP N 1 MALE	19	MPa	35	mm	132	29,95	41	N 1	kg	0,9	NC13N040001
		Psi	5075	inch	5,20	1,18			lb	1,98	
QC FFAP N 1 MALE	25	MPa	35	mm	143	36	50	N 1	kg	1,35	NC13N050000
		Psi	5075	inch	5,63	1,42			lb	2,98	
QC FFAP N 1 1/4 MALE	25	MPa	35	mm	145,7	36	50	N1 1/4	kg	1,4	NC13N050001
		Psi	5075	inch	5,74	1,42			lb	3,09	
QC FFAP N 1 1/2 MALE	25	MPa	35	mm	145,7	36	55	N1 1/2	kg	1,45	NC13N050002
		Psi	5075	inch	5,74	1,42			lb	3,20	



### QUICK COUPLINGS FLAT FACE CONNECTION UNDER PRESSURE (FFAP) (male) FEMALE THREAD ISO 11926-1 (SAE J1926-1) ORB

									CS Carbon Steel		
TYPE	DN	PN		C	Ød	ch	ØM	WEIGHT		ITEM CODE	
QC FFAP SAE6 MALE	10	MPa 42	mm 92,6	19,75	30	9/16-18 UNF		kg 0,3	NC13S020000		
		Psi 6090	inch 3,65	0,78				lb 0,66			
QC FFAP SAE8 MALE	10	MPa 42	mm 95,6	19,75	30	3/4-16 UNF		kg 0,45	NC13S020001		
		Psi 6090	inch 3,76	0,78				lb 0,99			
QC FFAP SAE8 MALE	12,5	MPa 42	mm 103	24,5	34	3/4-16 UNF		kg 0,65	NC13S030000		
		Psi 6090	inch 4,06	0,96				lb 1,43			
QC FFAP SAE12 MALE	12,5	MPa 42	mm 108,5	24,5	34	1-1/16-12 UN		kg 0,7	NC13S030001		
		Psi 6090	inch 4,27	0,96				lb 1,54			
QC FFAP SAE12 MALE	19	MPa 35	mm 130	29,95	41	1-1/16-12 UN		kg 0,85	NC13S040000		
		Psi 5075	inch 5,12	1,18				lb 1,87			
QC FFAP SAE16 MALE	19	MPa 35	mm 132	29,95	41	1 5/16-12 UN		kg 0,9	NC13S040001		
		Psi 5075	inch 5,20	1,18				lb 1,98			
QC FFAP SAE16 MALE	25	MPa 35	mm 143	36	50	1 5/16-12 UN		kg 1,35	NC13S050000		
		Psi 5075	inch 5,63	1,42				lb 2,98			
QC FFAP SAE20 MALE	25	MPa 35	mm 145,7	36	50	1 5/8-12 UN		kg 1,4	NC13S050001		
		Psi 5075	inch 5,74	1,42				lb 3,09			



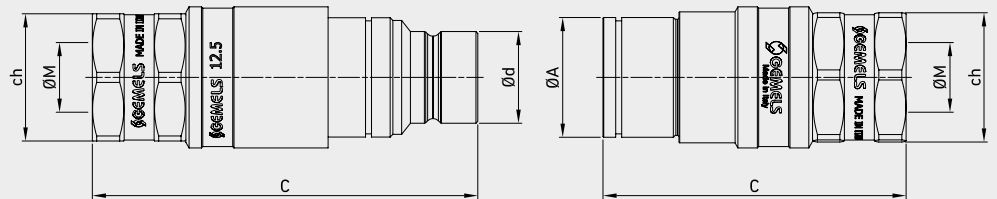
# FFAP PLATE CONNECTION UNDER PRESSURE

Edition. 21.0

## CS Carbon Steel

- Carbon Steel
- Type: Quick Couplings
- Models: ISO 16028 FLAT FACE CONNECTION UNDER PRESSURE
- Sizes: from DN10 to DN25
- Pressure: up to PN420
- Treatment: Galvanized

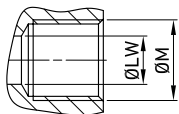
## STANDARD COMPOSITION OF VALVE



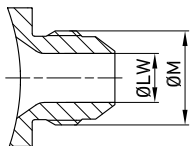


## CODE DESCRIPTION STRUCTURE

QC			G 1/2					M/F	DN12,5	1	B
<b>Type of coupling</b>											
FFAP Flat Face connection under pressure multi Gemels											
<b>Ends</b>											
ISO 1179-1	ISO 8434-6	ASME B1.20.1	ISO 11926-1	ISO 8434-1-L	ISO 8434-1-S	ISO 8434-1-L	ISO 8434-1-S	8434-2			
BSPP	BSPP	NPT	(SAE J1926-1) (DIN 2353)	(DIN 2353)	(DIN 2353)	(DIN 2353)	(DIN 2353)	(SAE J514)			
			ORB			BULKHEAD	BULKHEAD	JIC			
G 3/8	G 3/8	N 3/8	SAE6	10L	12S	10L	12S	J 3/8			
G 1/2	G 1/2	N 1/2	SAE8	12L	/	12L	/	J 1/2			
/	/	/	/	15L	/	15L	/	J 5/8			
G 1/2	G 1/2	N 1/2	SAE8	12L	/	12L	16S	J 1/2			
G 3/4	G 3/4	N 3/4	SAE12	15L	/	15L	/	J 5/8			
/	/	/	/	18L	/	/	/	J 3/4			
/	/	/	/	/	/	/	/	J 1			
G 3/4	G 3/4	N 3/4	SAE12	18L	/	18L	20S	/			
G1	G1	N 1	SAE16	22L	/	22L	25S	/			
G1	G1	N1	SAE16	/	25S	/	25S	/			
G1 1/4	G1 1/4	N1 1/4	SAE20	/	/	/	/	/			
G1 1/2	G1 1/2	N1 1/2	/	/	/	/	/	/			
<b>MALE</b>											
<b>FEMALE</b>											
<b>DN/ISO</b>											
10											
10											
10											
12,5											
12,5											
12,5											
12,5											
19											
19											
25											
25											
25											
<b>Body Material</b>											
● 1 = 1,0737											
<b>Seal material</b>											
● B = NBR E = FKM*											
*On request Plugs											

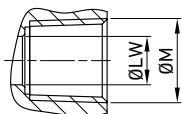

**QUICK COUPLINGS FLAT FACE CONNECTION UNDER PRESSURE (FFAP PLATE MOUNTING)  
(male/female) FEMALE THREAD ISO 1179-1 BSPP**

											CS Carbon Steel		
TYPE	DN	PN		ØA	C	Ød	ch	ØM	WEIGHT		ITEM CODE		
QC FFAP PLATE G 3/8 MALE	10	MPa	42	mm	-	91,5	19,75	30	G 3/8	kg	0,36	NC43G020000	
		Psi	6090	inch	-	3,60	0,78	1,18		lb	0,79		
QC FFAP PLATE G 3/8 FEMALE		MPa	42	mm	25	75	-	30	G 3/8	kg	0,3	NC44G020000	
		Psi	6090	inch	0,98	2,95	-	1,18		lb	0,66		
QC FFAP PLATE G 1/2 MALE		MPa	42	mm	-	95,6	19,75	30	G 1/2	kg	0,45	NC43G020001	
		Psi	6090	inch	-	3,76	0,78	1,18		lb	0,99		
QC FFAP PLATE G 1/2 FEMALE		MPa	42	mm	25	79	-	30	G 1/2	kg	0,4	NC44G020001	
		Psi	6090	inch	0,98	3,11	-	1,18		lb	0,88		
QC FFAP PLATE G 1/2 MALE		12,5	MPa	42	mm	-	103	24,5	34	G 1/2	kg	0,65	NC43G030000
			Psi	6090	inch	-	4,06	0,96	1,34		lb	1,43	
QC FFAP PLATE G 1/2 FEMALE			MPa	42	mm	32	81	-	34	G 1/2	kg	0,6	NC44G030000
			Psi	6090	inch	1,26	3,19	-	1,34		lb	1,32	
QC FFAP PLATE G 3/4 MALE	MPa		42	mm	-	106	24,5	34	G 3/4	kg	0,7	NC43G030001	
	Psi		6090	inch	-	4,17	0,96	1,34		lb	1,54		
QC FFAP PLATE G 3/4 FEMALE	MPa		42	mm	32	84	-	34	G 3/4	kg	0,61	NC44G030001	
	Psi		6090	inch	1,26	3,31	-	1,34		lb	1,34		
QC FFAP PLATE G 3/4 MALE	19		MPa	35	mm	-	128,5	29,95	41	G 3/4	kg	0,85	NC43G040000
			Psi	5075	inch	-	5,06	1,18	1,61		lb	1,87	
QC FFAP PLATE G 1 MALE			MPa	35	mm	-	132	29,95	41	G 1	kg	0,9	NC43G040001
			Psi	5075	inch	-	5,20	1,18	1,61		lb	1,98	
QC FFAP PLATE G 1 MALE		25	MPa	35	mm	-	143	36	50	G 1	kg	1,35	NC43G050000
			Psi	5075	inch	-	5,63	1,42	1,97		lb	2,98	
QC FFAP PLATE G 1 1/4 MALE			MPa	35	mm	-	145,7	36	50	G1 1/4	kg	1,4	NC43G050001
			Psi	5075	inch	-	5,74	1,42	1,97		lb	3,09	
QC FFAP PLATE G 1 1/2 MALE			MPa	35	mm	-	145,7	36	55	G1 1/2	kg	1,45	NC43G050002
			Psi	5075	inch	-	5,74	1,42	2,17		lb	3,20	



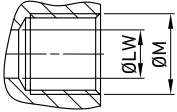
## ■ QUICK COUPLINGS FLAT FACE CONNECTION UNDER PRESSURE (FFAP PLATE MOUNTING) (male/female) MALE THREAD ISO 8434-6 BSPP

											CS Carbon Steel		
TYPE	DN	PN		ØA	C	Ød	ch	ØM	WEIGHT		ITEM CODE		
QC FFAP PLATE G 3/8M MALE	10	MPa	42	mm	-	95,2	19,75	30	G 3/8M	kg	0,45	NC43E020000	
		Psi	6090	inch	-	3,75	0,78	1,18		lb	0,99		
QC FFAP PLATE G 3/8M FEMALE		MPa	42	mm	25	78,7		30	G 3/8M	kg	0,35	NC44E020000	
		Psi	6090	inch	0,98	3,10		1,18		lb	0,77		
QC FFAP PLATE G 1/2M MALE		MPa	42	mm	-	97,2	19,75	30	G 1/2M	kg	0,54	NC43E020001	
		Psi	6090	inch	-	3,83	0,78	1,18		lb	1,19		
QC FFAP PLATE G 1/2M FEMALE		MPa	42	mm	25	80,7		30	G 1/2M	kg	0,44	NC44E020001	
		Psi	6090	inch	0,98	3,18		1,18		lb	0,97		
QC FFAP PLATE G 1/2M MALE		12,5	MPa	42	mm	-	105	24,5	34	G 1/2M	kg	0,57	NC43E030000
			Psi	6090	inch	-	4,13	0,96	1,34		lb	1,26	
QC FFAP PLATE G 1/2M FEMALE			MPa	42	mm	32	83		34	G 1/2M	kg	0,42	NC44E030000
			Psi	6090	inch	1,26	3,27		1,34		lb	0,93	
QC FFAP PLATE G 3/4M MALE	MPa		42	mm	-	107	24,5	34	G 3/4M	kg	0,65	NC43E030001	
	Psi		6090	inch	-	4,21	0,96	1,34		lb	1,43		
QC FFAP PLATE G 3/4M FEMALE	MPa		42	mm	32	85		34	G 3/4M	kg	0,58	NC44E030001	
	Psi		6090	inch	1,26	3,35		1,34		lb	1,28		
QC FFAP PLATE G 3/4M MALE	19		MPa	35	mm	-	131,3	29,95	41	G 3/4M	kg	0,8	NC43E040000
			Psi	5075	inch	-	5,17	1,18	1,61		lb	1,76	
QC FFAP PLATE G 1M MALE			MPa	35	mm	-	134,3	29,95	41	G 1M	kg	0,9	NC43E040001
			Psi	5075	inch	-	5,29	1,18	1,61		lb	1,98	
QC FFAP PLATE G 1M MALE		MPa	35	mm	-	149,2	36	50	G 1M	kg	1,45	NC43E050000	
		Psi	5075	inch	-	5,87	1,42	1,97		lb	3,20		
QC FFAP PLATE G 1 1/4M MALE	MPa	35	mm	-	150,2	36	50	G1 1/4M	kg	1,55	NC43E050001		
	Psi	5075	inch	-	5,91	1,42	1,97		lb	3,42			
QC FFAP PLATE G 1 1/2M MALE	MPa	35	mm	-	152,2	36	55	G1 1/2M	kg	1,66	NC43E050002		
	Psi	5075	inch	-	5,99	1,42	2,17		lb	3,66			


**QUICK COUPLINGS FLAT FACE CONNECTION UNDER PRESSURE (FFAP PLATE MOUNTING) (male/female) FEMALE THREAD ASME B1.20.1 NPT**

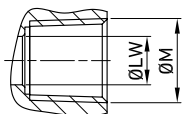
											CS Carbon Steel		
TYPE	DN	PN		ØA	C	Ød	ch	ØM	WEIGHT		ITEM CODE		
QC FFAP PLATE N 3/8 MALE	10	MPa	42	mm	-	93,5	19,75	30	N 3/8	kg	0,43	NC43N020000	
		Psi	6090	inch	-	3,68	0,78	1,18		lb	0,95		
QC FFAP PLATE N 3/8 FEMALE		MPa	42	mm	25	77	-	30	N 3/8	kg	0,4	NC44N020000	
		Psi	6090	inch	0,98	3,03	-	1,18		lb	0,88		
QC FFAP PLATE N 1/2 MALE		MPa	42	mm	-	98,3	19,75	30	N 1/2	kg	0,45	NC43N020001	
		Psi	6090	inch	-	3,87	0,78	1,18		lb	0,99		
QC FFAP PLATE N 1/2 FEMALE		MPa	42	mm	25	82	-	30	N 1/2	kg		NC44N020001	
		Psi	6090	inch	0,98	3,23	-	1,18		lb	0,00		
QC FFAP PLATE N 1/2 MALE		12,5	MPa	42	mm	-	103	24,5	34	N 1/2	kg	0,65	NC43N030000
			Psi	6090	inch	-	4,06	0,96	1,34		lb	1,43	
QC FFAP PLATE N 1/2 FEMALE	MPa		42	mm	32	81	-	34	N 1/2	kg	0,6	NC44N030000	
	Psi		6090	inch	1,26	3,19	-	1,34		lb	1,32		
QC FFAP PLATE N 3/4 MALE	MPa		42	mm	-	106	24,5	34	N 3/4	kg	0,7	NC43N030001	
	Psi		6090	inch	-	4,17	0,96	1,34		lb	1,54		
QC FFAP PLATE N 3/4 FEMALE	MPa		42	mm	32	84	-	34	N 3/4	kg	0,61	NC44N030001	
	Psi		6090	inch	1,26	3,31	-	1,34		lb	1,34		
QC FFAP PLATE N 3/4 MALE	19		MPa	35	mm	-	128,5	29,95	41	N 3/4	kg	0,85	NC43N040000
			Psi	5075	inch	-	5,06	1,18	1,61		lb	1,87	
QC FFAP PLATE N 1 MALE		MPa	35	mm	-	132	29,95	41	N 1	kg	0,9	NC43N040001	
		Psi	5075	inch	-	5,20	1,18	1,61		lb	1,98		
QC FFAP PLATE N 1 MALE		MPa	35	mm	-	143	36	50	N 1	kg	1,35	NC43N050000	
		Psi	5075	inch	-	5,63	1,42	1,97		lb	2,98		
QC FFAP PLATE N 1 1/4 MALE		MPa	35	mm	-	145,7	36	50	N1 1/4	kg	1,4	NC43N050001	
		Psi	5075	inch	-	5,74	1,42	1,97		lb	3,09		
QC FFAP PLATE N 1 1/2 MALE		MPa	35	mm	-	145,7	36	55	N1 1/2	kg	1,45	NC43N050002	
		Psi	5075	inch	-	5,74	1,42	2,17		lb	3,20		



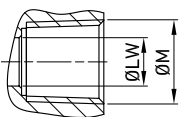


## ■ QUICK COUPLINGS FLAT FACE CONNECTION UNDER PRESSURE (FFAP PLATE MOUNTING) (male/female) MALE THREAD ISO 8434-6 BSPP

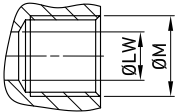
											CS Carbon Steel		
TYPE	DN	PN		ØA	C	Ød	ch	ØM	WEIGHT		ITEM CODE		
QC FFAP PLATE SAE6 MALE	10	MPa	42	mm	-	92,6	19,75	30	9/16-18	kg	0,4	NC43S020000	
		Psi	6090	inch	-	3,65	0,78	1,18	UNF	lb	0,88		
QC FFAP PLATE SAE6 FEMALE		MPa	42	mm	25	76	-	30	9/16-18	kg		NC44S020000	
		Psi	6090	inch	0,98	2,99	-	1,18	UNF	lb	0,00		
QC FFAP PLATE SAE8 MALE		MPa	42	mm	-	95,6	19,75	30	3/4-16	kg	0,43	NC43S020001	
		Psi	6090	inch	-	3,76	0,78	1,18	UNF	lb	0,95		
QC FFAP PLATE SAE8 FEMALE		MPa	42	mm	25	79	-	30	3/4-16	kg		NC44S020001	
		Psi	6090	inch	0,98	3,11	-	1,18	UNF	lb	0,00		
QC FFAP PLATE SAE 8 MALE		12,5	MPa	42	mm	-	103	24,5	34	3/4-16	kg	0,65	NC43S030000
			Psi	6090	inch	-	4,06	0,96	1,34	UNF	lb	1,43	
QC FFAP PLATE SAE8 FEMALE			MPa	42	mm	32	81	-	34	3/4-16	kg	0,6	NC44S030000
			Psi	6090	inch	1,26	3,19	-	1,34	UNF	lb	1,32	
QC FFAP PLATE SAE12 MALE	MPa		42	mm	-	106	24,5	34	1-1/16-12	kg	0,7	NC43S030001	
	Psi		6090	inch	-	4,17	0,96	1,34	UN	lb	1,54		
QC FFAP PLATE SAE12 FEMALE	MPa		42	mm	32	84	-	34	1-1/16-12	kg	0,61	NC44S030001	
	Psi		6090	inch	1,26	3,31	-	1,34	UN	lb	1,34		
QC FFAP PLATE SAE12 MALE	19		MPa	35	mm	-	128,5	29,95	41	1-1/16-12	kg	0,85	NC43S040000
			Psi	5075	inch	-	5,06	1,18	1,61	UN	lb	1,87	
QC FFAP PLATE SAE16 MALE			MPa	35	mm	-	132	29,95	41	1 5/16-12	kg	0,9	NC43S040001
			Psi	5075	inch	-	5,20	1,18	1,61	UN	lb	1,98	
QC FFAP PLATE SAE16 MALE		MPa	35	mm	-	143	36	50	1 5/16-12	kg	1,35	NC43S050000	
		Psi	5075	inch	-	5,63	1,42	1,97	UN	lb	2,98		
QC FFAP PLATE G 1 1/2M MALE		25	MPa	35	mm	-	145,7	36	50	1 5/8-12	kg	1,4	NC43S050001
			Psi	5075	inch	-	5,74	1,42	1,97	UN	lb	3,09	


**QUICK COUPLINGS FLAT FACE CONNECTION UNDER PRESSURE (FFAP PLATE MOUNTING)  
(male/female) MALE THREAD METRIC ISO 8434-1-L (DIN 2353)**

											CS Carbon Steel		
TYPE	DN	PN		ØA	C	Ød	ch	ØM	WEIGHT		ITEM CODE		
QC FFAP PLATE 10L MALE	10	MPa 42	mm -	97,2	19,75	30		M16x1,5	kg	0,4	NC43L020000		
		Psi 6090	inch -	3,83	0,78	1,18	lb		0,88				
QC FFAP PLATE 10L FEMALE		MPa 42	mm 25	80,7	-	30		M16x1,5	kg	0,44	NC44L020000		
		Psi 6090	inch 0,98	3,18	-	1,18	lb		0,97				
QC FFAP PLATE 12L MALE		12,5	MPa 42	mm -	97,2	19,75	30		M18x1,5	kg	0,415	NC43L020001	
			Psi 6090	inch -	3,83	0,78	1,18	lb		0,91			
QC FFAP PLATE 12L FEMALE			MPa 42	mm 25	80,7	-	30		M18x1,5	kg	0,445	NC44L020001	
			Psi 6090	inch 0,98	3,18	-	1,18	lb		0,98			
QC FFAP PLATE 15L MALE			12,5	MPa 42	mm -	98,2	19,75	30		M22x1,5	kg	0,42	NC43L020002
				Psi 6090	inch -	3,87	0,78	1,18	lb		0,93		
QC FFAP PLATE 15L FEMALE	12,5	MPa 42	mm 25	81,7	-	30		M22x1,5	kg	0,45	NC44L020002		
		Psi 6090	inch 0,98	3,22	-	1,18	lb		0,99				
QC FFAP PLATE 12L MALE	12,5	MPa 42	mm -	102	24,5	34		M18x1,5	kg	0,57	NC43L030000		
		Psi 6090	inch -	4,02	0,96	1,34	lb		1,26				
QC FFAP PLATE 12L FEMALE		MPa 42	mm 32	80	-	34		M18x1,5	kg	0,42	NC44L030000		
		Psi 6090	inch 1,26	3,15	-	1,34	lb		0,93				
QC FFAP PLATE 15L MALE		12,5	MPa 42	mm -	103	24,5	34		M22x1,5	kg	0,57	NC43L030001	
			Psi 6090	inch -	4,06	0,96	1,34	lb		1,26			
QC FFAP PLATE 15L FEMALE		12,5	MPa 42	mm 32	81	-	34		M22x1,5	kg	0,41	NC44L030001	
			Psi 6090	inch 1,26	3,19	-	1,34	lb					
QC FFAP PLATE 18L MALE		12,5	MPa 42	mm -	103	24,5	34		M26x1,5	kg	0,57	NC43L030002	
			Psi 6090	inch -	4,06	0,96	1,34	lb					
QC FFAP PLATE 18L FEMALE		12,5	MPa 42	mm 32	81	-	34		M26x1,5	kg	0,41	NC44L030002	
			Psi 6090	inch 1,26	3,19	-	1,34	lb		0,90			
QC FFAP PLATE 18L MALE	19	MPa 35	mm -	127,3	29,95	41		M26x1,5	kg	0,77	NC43L040000		
		Psi 5075	inch -	5,01	1,18	1,61	lb		1,70				
QC FFAP PLATE 22L MALE		19	MPa 35	mm -	129,3	29,95	41		M30x2	kg	0,77	NC43L040001	
			Psi 5075	inch -	5,09	1,18	1,61	lb		1,70			

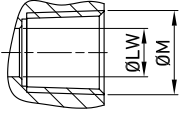

**QUICK COUPLINGS FLAT FACE CONNECTION UNDER PRESSURE (FFAP PLATE MOUNTING)  
(male/female) MALE THREAD METRIC ISO 8434-1-L (DIN 2353)**

											CS Carbon Steel
TYPE	DN	PN		ØA	C	Ød	ch	ØM	WEIGHT		ITEM CODE
QC FFAP PLATE 12S MALE	10	MPa 42	mm -	98,2	19,75	30		M18x1,5	kg	0,42	NC43H020000
		Psi 6090	inch -	3,87	0,78	1,18	lb		0,93		
QC FFAP PLATE 12S FEMALE		MPa 42	mm 25	81,7	-	30		M18x1,5	kg	0,45	NC44H020000
		Psi 6090	inch 0,98	3,22	-	1,18	lb		0,99		
QC FFAP PLATE 25S MALE	25	MPa 35	mm -	148,2	36	50		M36x2	kg	1,36	NC43H050000
		Psi 5075	inch -	5,83	1,42	1,97	lb		3,00		

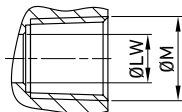


## ■ QUICK COUPLINGS FLAT FACE CONNECTION UNDER PRESSURE (FFAP PLATE MOUNTING) (male/female) MALE THREAD METRIC ISO 8434-1-L (DIN 2353) BULKHEAD

											CS Carbon Steel		
TYPE	DN	PN		ØA	C	Ød	ch	ØM	WEIGHT		ITEM CODE		
QC FFAP PLATE 10L BK MALE	10	MPa	42	mm	-	112,2	19,75	30	M16x1,5	kg	0,43	NC43M020000	
		Psi	6090	inch	-	4,42	0,78	1,18		lb	0,95		
QC FFAP PLATE 10L BK FEMALE		MPa	42	mm	25	95,7	-	30	M16x1,5	kg	0,46	NC44M020000	
		Psi	6090	inch	0,98	3,77	-	1,18		lb	1,01		
QC FFAP PLATE 12L BK MALE		MPa	42	mm	-	113,2	19,75	30	M18x1,5	kg	0,43	NC43M020001	
		Psi	6090	inch	-	4,46	0,78	1,18		lb	0,95		
QC FFAP PLATE 12L BK FEMALE		MPa	42	mm	25	96,7	-	30	M18x1,5	kg	0,46	NC44M020001	
		Psi	6090	inch	0,98	3,81	-	1,18		lb	1,01		
QC FFAP PLATE 15L BK MALE		MPa	42	mm	-	113,2	19,75	30	M22x1,5	kg	0,45	NC43M020002	
		Psi	6090	inch	-	4,46	0,78	1,18		lb	0,99		
QC FFAP PLATE 15L BK FEMALE		MPa	42	mm	25	96,7	-	30	M22x1,5	kg	0,48	NC44M020002	
		Psi	6090	inch	0,98	3,81	-	1,18		lb	1,06		
QC FFAP PLATE 12L BK MALE	12,5	MPa	42	mm	-	118	24,5	34	M18x1,5	kg	0,58	NC43M030000	
		Psi	6090	inch	-	4,65	0,96	1,34		lb	1,28		
QC FFAP PLATE 12L BK FEMALE		MPa	42	mm	32	96	-	34	M18x1,5	kg	0,43	NC44M030000	
		Psi	6090	inch	1,26	3,78	-	1,34		lb	0,95		
QC FFAP PLATE 15L BK MALE		MPa	42	mm	-	118	24,5	34	M22x1,5	kg	0,6	NC43M030001	
		Psi	6090	inch	-	4,65	0,96	1,34		lb	1,32		
QC FFAP PLATE 15L BK FEMALE		MPa	42	mm	32	100	-	34	M22x1,5	kg	0,45	NC44M030001	
		Psi	6090	inch	1,26	3,94	-	1,34		lb	0,99		
QC FFAP PLATE 18L BK MALE		19	MPa	35	mm	-	142,3	29,95	41	M26x1,5	kg	0,81	NC43M040000
			Psi	5075	inch	-	5,60	1,18	1,61		lb	1,79	
QC FFAP PLATE 22L BK MALE			MPa	35	mm	-	149,3	29,95	41	M30x2	kg	0,84	NC43M040001
			Psi	5075	inch	-	5,88	1,18	1,61		lb	1,85	


**QUICK COUPLINGS FLAT FACE CONNECTION UNDER PRESSURE (FFAP PLATE MOUNTING) (male/female) MALE THREAD METRIC ISO 8434-1-S (DIN 2353) BULKHEAD**

											CS Carbon Steel	
TYPE	DN	PN		ØA	C	Ød	ch	ØM	WEIGHT		ITEM CODE	
QC FFAP PLATE 12S BK MALE	10	MPa	42	mm	-	113,2	19,75	30	M20x1,5	kg	0,45	NC43I020000
		Psi	6090	inch	-	4,46	0,78	1,18		lb	0,99	
QC FFAP PLATE 12S BK FEMALE	10	MPa	42	mm	25	96,7	-	30	M20x1,5	kg	0,48	NC44I020000
		Psi	6090	inch	0,98	3,81	-	1,18		lb	1,06	
QC FFAP PLATE 16S BK MALE	12,5	MPa	42	mm	-	120	24,5	34	M24x1,5	kg	0,62	NC43I030000
		Psi	6090	inch	-	4,72	0,96	1,34		lb	1,37	
QC FFAP PLATE 16S BK FEMALE	12,5	MPa	42	mm	32	98	-	34	M24x1,5	kg	0,47	NC44I030000
		Psi	6090	inch	1,26	3,86	-	1,34		lb	1,04	
QC FFAP PLATE 20S BK MALE	19	MPa	35	mm	-	153,3	29,95	34	M30x2	kg	0,88	NC43I040000
		Psi	5075	inch	-	6,04	1,18	1,34		lb	1,94	
QC FFAP PLATE 25S BK MALE	19	MPa	35	mm	-	157,3	29,95	41	M36x2	kg	0,94	NC43I040001
		Psi	5075	inch	-	m	1,18	1,61		lb	2,07	
QC FFAP PLATE 25S BK MALE	25	MPa	35	mm	-	171,2	36	50	M36x2	kg	1,49	NC43I020000
		Psi	5075	inch	-	6,74	1,42	1,97		lb	3,28	



## ■ QUICK COUPLINGS FLAT FACE CONNECTION UNDER PRESSURE (FFAP PLATE MOUNTING) (male/female) MALE THREAD METRIC ISO 8434-1-2 (SAE J514) JIC

											CS Carbon Steel		
TYPE	DN	PN		ØA	C	Ød	ch	ØM	WEIGHT	ITEM CODE			
QC FFAP PLATE 3/8 JIC MALE	10	MPa	42	mm	-	100,3	19,75	30	9/16-18 UNF	kg	0,415	NC43J020000	
		Psi	6090	inch	-	3,95	0,78	1,18		lb	0,91		
QC FFAP PLATE 3/8 JIC FEMALE		MPa	42	mm	25	83,8	-	30	9/16-18 UNF	kg	0,44	NC44J020000	
		Psi	6090	inch	0,98	3,30	-	1,18		lb	0,97		
QC FFAP PLATE 1/2 JIC MALE		MPa	42	mm	-	103	19,75	30	3/4-16 UNF	kg	0,43	NC43J020001	
		Psi	6090	inch	-	4,06	0,78	1,18		lb	0,95		
QC FFAP PLATE 1/2 JIC FEMALE		MPa	42	mm	25	86,4	-	30	3/4-16 UNF	kg	0,45	NC44J020001	
		Psi	6090	inch	0,98	3,40	-	1,18		lb	0,99		
QC FFAP PLATE 5/8 JIC MALE		MPa	42	mm	-	105,5	19,75	30	7/8-14 UNF	kg	0,45	NC43J020002	
		Psi	6090	inch	-	4,15	0,78	1,18		lb	0,99		
QC FFAP PLATE 5/8 JIC FEMALE		MPa	42	mm	25	89	-	30	7/8-14 UNF	kg	0,48	NC44J020002	
		Psi	6090	inch	0,98	3,50	-	1,18		lb	1,06		
QC FFAP PLATE 1/2 JIC MALE		12,5	MPa	42	mm	-	104,7	24,5	34	3/4-16 UNF	kg	0,56	NC43J030000
			Psi	6090	inch	-	4,12	0,96	1,34		lb	1,23	
QC FFAP PLATE 1/2 JIC FEMALE	MPa		42	mm	32	82,7	-	34	3/4-16 UNF	kg	0,41	NC44J030000	
	Psi		6090	inch	1,26	3,26	-	1,34		lb	0,90		
QC FFAP PLATE 5/8 JIC MALE	MPa		42	mm	-	107,3	24,5	34	7/8-14 UNF	kg	0,57	NC43J030001	
	Psi		6090	inch	-	4,22	0,96	1,34		lb	1,26		
QC FFAP PLATE 5/8 JIC FEMALE	MPa		42	mm	32	85,3	-	34	7/8-14 UNF	kg	0,42	NC44J030001	
	Psi		6090	inch	1,26	3,36	-	1,34		lb	0,93		
QC FFAP PLATE 3/4 JIC MALE	MPa		42	mm	-	109,9	24,5	34	1-1/16-12 UN	kg	0,58	NC43J030002	
	Psi		6090	inch	-	4,33	0,96	1,34		lb	1,28		
QC FFAP PLATE 3/4 JIC FEMALE	MPa		42	mm	32	87,9	-	34	1-1/16-12 UN	kg	0,43	NC44J030002	
	Psi		6090	inch	1,26	3,46	-	1,34		lb	0,95		
QC FFAP PLATE 1 JIC MALE	MPa		42	mm	-	111,1	24,5	34	1-5/16-12 UN	kg	0,6	NC43J030003	
	Psi		6090	inch	-	4,37	0,96	1,34		lb	1,32		
QC FFAP PLATE 1 JIC FEMALE	MPa	42	mm	32	89,1	-	34	1-5/16-12 UN	kg	0,45	NC44J030003		
	Psi	6090	inch	1,26	3,51	-	1,34		lb	0,99			



# MGW

## QUICK COUPLINGS FLAT FACE FOR PLATE MOUNTING

Edition. 21.2

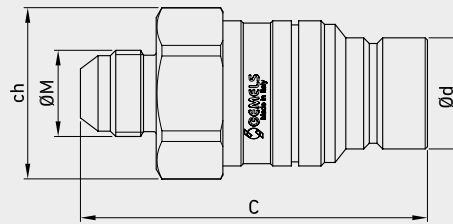
### CS Carbon Steel

- Type: Quick Couplings
- Models: MGW - Quick couplings flat face for plate mounting
- Sizes: from DN13
- Pressure: up to PN420
- Treatment: Galvanized

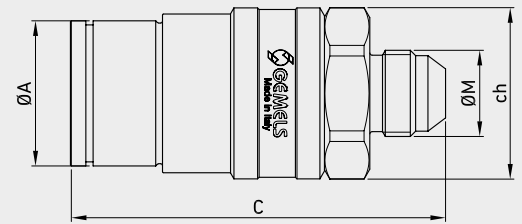
### SS Stainless Steel

- Type: Quick Couplings
- Models: MGW - Quick couplings flat face for plate mounting
- Sizes: from DN13
- Pressure: up to PN420

Male



Female





**BODY: CARBON STEEL INTERNAL  
COMPONENTS: STAINLESS STEEL**

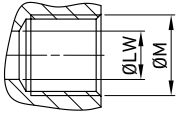
## CODE DESCRIPTION STRUCTURE

QC		1/2						M/F	DN12,5	1	B
<b>Type of coupling</b> MGW - Quick couplings flat face for plate mouting (available only for multicouplings Gemels or plates)											
<b>Ends</b>											
ISO 1179-1 BSPP	ISO 8434-6 BSPP	ASME B1.20.1 NPT	ISO 11926-1 (SAE J1926-1)	ISO 8434-1-L (DIN 2353)	ISO 8434-1-S (DIN 2353)	ISO 8434-1-L (DIN 2353)	8434-2 (SAE J514)				
			ORB		BULKHEAD	BULKHEAD	JIC				
G 1/2	G 1/2	N 1/2	SAE12	12L	16S	12L	J 1/2				
<b>MALE</b> <b>FEMALE</b>											
<b>Size</b> DN/ISO 12,5											
<b>Body Material</b> ● 4 = 1,4404											
<b>Seal material</b> E = FKM*											

**\*On request**

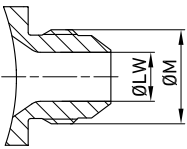
- Different size and threads available on request.
- Available with zinc-nickel or AISI 316 treatment.
- Couplings are put together with a seeger ring for a faster mounting or service on the multiconnection.

*For further special requests please consult our technical/commercial service.*



**QUICK COUPLINGS FLAT FACE MGW PLATE MOUNTING (male / female)  
FEMALE THREAD ISO 1179-1 BSPP**

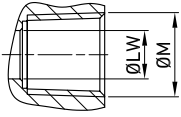
										CS Carbon Steel											SS Stainless Steel
TYPE	DN	PN	ØA	C	Ød	ch	ØM	WEIGHT	ITEM CODE	TYPE	DN	PN	ØA	C	Ød	ch	ØM	WEIGHT	ITEM CODE		
QC FF MGW G 1/2 MALE	12,5	MPa 42	mm -	73,8	24,5	34	G1/2	kg 0,4	NC27G030000	QC FF MGW G 1/2 MALE	12,5	MPa 42	mm -	73,8	24,5	34	G1/2	kg 0,4	NC27G03S000		
		Psi 6090	inch -	2,91	0,96	1,34		lb 0,88				Psi 6090	inch -	2,91	0,96	1,34		lb 0,88			
QC FF MGW G 1/2 FEMALE	12,5	MPa 42	mm 32	81	-	34	G1/2	kg 0,6	NC28G030000	QC FF MGW G 1/2 FEMALE	12,5	MPa 42	mm 32	81	-	34	G1/2	kg 0,6	NC28G03S000		
		Psi 6090	inch 1,26	3,19	-	1,34		lb 1,32				Psi 6090	inch 1,26	3,19	-	1,34		lb 1,32			
QC FF MGW G 3/4 MALE	12,5	MPa 42	mm -	78,8	24,5	34	G3/4	kg 0,424	NC27G030001	QC FF MGW G 3/4 MALE	12,5	MPa 42	mm -	78,8	24,5	34	G3/4	kg 0,424	NC27G03S001		
		Psi 6090	inch -	3,10	0,96	1,34		lb 0,93				Psi 6090	inch -	3,10	0,96	1,34		lb 0,93			
QC FF MGW G 3/4 FEMALE	12,5	MPa 42	mm 32	84	-	34	G3/4	kg 0,61	NC28G030001	QC FF MGW G 3/4 FEMALE	12,5	MPa 42	mm 32	84	-	34	G3/4	kg 0,61	NC28G03S001		
		Psi 6090	inch 1,26	3,31	-	1,34		lb 1,34				Psi 6090	inch 1,26	3,31	-	1,34		lb 1,34			



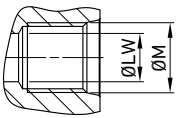
**QUICK COUPLINGS FLAT FACE MGW PLATE MOUNTING (male / female)  
MALE THREAD ISO 8434-6 BSPP**

										CS Carbon Steel											SS Stainless Steel
TYPE	DN	PN	ØA	C	Ød	ch	ØM	ØLW	WEIGHT	ITEM CODE	TYPE	DN	PN	ØA	C	Ød	ch	ØM	ØLW	WEIGHT	ITEM CODE
QC FF MGW G 1/2M MALE	12,5	MPa 42	mm -	76,5	24,5	34	G1/2	11,1	kg 0,277	NC27E030000	QC FF MGW G 1/2M MALE	12,5	MPa 42	mm -	76,5	24,5	34	G1/2	11,1	kg 0,277	NC27E03S000
		Psi 6090	inch -	3,01	0,96	1,34		0,44	lb 0,61				Psi 6090	inch -	3,01	0,96	1,34		0,44	lb 0,61	
QC FF MGW G 1/2M FEMALE	12,5	MPa 42	mm 32	83	-	34	G1/2	11,1	kg 0,705	NC28E030000	QC FF MGW G 1/2M FEMALE	12,5	MPa 42	mm 32	83	-	34	G1/2	11,1	kg 0,705	NC28E03S000
		Psi 6090	inch 1,26	3,27	-	1,34		0,44	lb 1,55				Psi 6090	inch 1,26	3,27	-	1,34		0,44	lb 1,55	
QC FF MGW G 3/4M MALE	12,5	MPa 42	mm -	78,5	24,5	34	G3/4	16,7	kg 0,4	NC27E030001	QC FF MGW G 3/4M MALE	12,5	MPa 42	mm -	78,5	24,5	34	G3/4	16,7	kg 0,4	NC27E03S001
		Psi 6090	inch -	3,09	0,96	1,34		0,66	lb 0,88				Psi 6090	inch -	3,09	0,96	1,34		0,66	lb 0,88	
QC FF MGW G 3/4M FEMALE	12,5	MPa 42	mm 32	85	-	34	G3/4	16,7	kg 0,8	NC28E030001	QC FF MGW G 3/4M FEMALE	12,5	MPa 42	mm 32	85	-	34	G3/4	16,7	kg 0,8	NC28E03S001
		Psi 6090	inch 1,26	3,35	-	1,34		0,66	lb 1,76				Psi 6090	inch 1,26	3,35	-	1,34		0,66	lb 1,76	

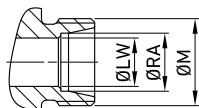



**QUICK COUPLINGS FLAT FACE MGW PLATE MOUNTING (male / female)  
FEMALE THREAD ASME B1.20.1 NPT**

										CS Carbon Steel											SS Stainless Steel
TYPE	DN	PN	ØA	C	Ød	ch	ØM	WEIGHT	ITEM CODE	TYPE	DN	PN	ØA	C	Ød	ch	ØM	WEIGHT	ITEM CODE		
QC FF MGW N 1/2 MALE	12,5	MPa 42	mm -	77,3	24,5	34	N1/2	kg 0,45	NC27N030000	QC FF MGW N 1/2 MALE	12,5	MPa 42	mm -	77,3	24,5	34	N1/2	kg 0,45	NC27N03S000		
		Psi 6090	inch -	3,04	0,96	1,34		lb 0,99				Psi 6090	inch -	3,04	0,96	1,34		lb 0,99			
QC FF MGW N 1/2 FEMALE	12,5	MPa 42	mm 32	81	-	34	N1/2	kg 0,751	NC28N030000	QC FF MGW N 1/2 FEMALE	12,5	MPa 42	mm 32	81	-	34	N1/2	kg 0,751	NC28N03S000		
		Psi 6090	inch 1,26	3,19	-	1,34		lb 1,66				Psi 6090	inch 1,26	3,19	-	1,34		lb 1,66			
QC FF MGW N 3/4 MALE	12,5	MPa 42	mm -	77,3	24,5	34	N3/4	kg 0,422	NC27N030001	QC FF MGW N 3/4 MALE	12,5	MPa 42	mm -	77,3	24,5	34	N3/4	kg -	NC27N03S001		
		Psi 6090	inch -	3,04	0,96	1,34		lb 0,93				Psi 6090	inch -	3,04	0,96	1,34		lb -			
QC FF MGW N 3/4 FEMALE	12,5	MPa 42	mm 32	84	-	34	N3/4	kg 0,737	NC28N030001	QC FF MGW N 3/4 FEMALE	12,5	MPa 42	mm 32	84	-	34	N3/4	kg -	NC28N03S001		
		Psi 6090	inch 1,26	3,31	-	1,34		lb 1,62				Psi 6090	inch 1,26	3,31	-	1,34		lb -			


**QUICK COUPLINGS FLAT FACE MGW PLATE MOUNTING (male / female)  
FEMALE THREAD ISO 11926-1 (SAE J1926-1) ORB**

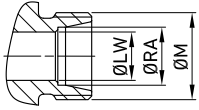
										CS Carbon Steel											SS Stainless Steel
TYPE	DN	PN	ØA	C	Ød	ch	ØM	WEIGHT	ITEM CODE	TYPE	DN	PN	ØA	C	Ød	ch	ØM	WEIGHT	ITEM CODE		
QC FF MGW SAE8 MALE	12,5	MPa 42	mm -	73,8	24,5	34	3/4-16	kg 0,43	NC27S030000	QC FF MGW SAE8 MALE	12,5	MPa 42	mm -	73,8	24,5	34	3/4-16	kg 0,43	NC27S03S000		
		Psi 6090	inch -	2,91	0,96	1,34	UNF	lb 0,95				Psi 6090	inch -	2,91	0,96	1,34	UNF	lb 0,95			
QC FF MGW SAE8 FEMALE	12,5	MPa 42	mm 32	81	-	34	3/4-16	kg 0,75	NC28S030000	QC FF MGW SAE8 FEMALE	12,5	MPa 42	mm 32	81	-	34	3/4-16	kg 0,75	NC28S03S000		
		Psi 6090	inch 1,26	3,19	-	1,34	UNF	lb 1,65				Psi 6090	inch 1,26	3,19	-	1,34	UNF	lb 1,65			
QC FF MGW SAE12 MALE	12,5	MPa 42	mm -	81,3	24,5	34	1-1/16-	kg 0,43	NC27S030001	QC FF MGW SAE12 MALE	12,5	MPa 42	mm -	81,3	24,5	34	1-1/16-	kg -	NC27S03S001		
		Psi 6090	inch -	3,20	0,96	1,34	12 UN	lb 0,95				Psi 6090	inch -	3,20	0,96	1,34	12 UN	lb -			
QC FF MGW SAE12 FEMALE	12,5	MPa 42	mm 32	86,5	-	34	1-1/16-	kg 0,73	NC28S030001	QC FF MGW SAE12 FEMALE	12,5	MPa 42	mm 32	86,5	-	34	1-1/16-	kg -	NC28S03S001		
		Psi 6090	inch 1,26	3,41	-	1,34	12 UN	lb 1,61				Psi 6090	inch 1,26	3,41	-	1,34	12 UN	lb -			



## QUICK COUPLINGS FLAT FACE MGW PLATE MOUNTING (MALE / FEMALE) MALE THREAD METRIC ISO 8434-1-L (DIN 2353)

												<b>CS</b> Carbon Steel
TYPE	DN	PN	ØA	C	Ød	ch	ØM	ØLW	ØRA	WEIGHT	ITEM CODE	
QC FF MGW 12L MALE	12,5	MPa 42	mm -	75,5	24,5	34	M18X1,5	10	12	kg 0,35	NC27L030000	
		Psi 6090	inch -	2,97	0,96	1,34		0,39	0,47	lb 0,77		
QC FF MGW 12L FEMALE		MPa 42	mm 32	80	-	34	M18X1,5	10	12	kg 0,579	NC28L030000	
		Psi 6090	inch 1,26	3,15	-	1,34		0,39	0,47	lb 1,28		
QC FF MGW 15L MALE		MPa 42	mm -	76,5	24,5	34	M22X1,5	12	15	kg 0,4	NC27L030001	
		Psi 6090	inch -	3,01	0,96	1,34		0,47	0,59	lb 0,88		
QC FF MGW 15L FEMALE		MPa 42	mm -	81	-	34	M22X1,5	12	15	kg 0,585	NC28L030001	
		Psi 6090	inch -	3,19	-	1,34		0,47	0,59	lb 1,29		
QC FF MGW 18L MALE		MPa 42	mm -	76,5	24,5	34	M26X1,5	15	18	kg 0,43	NC27L030002	
		Psi 6090	inch -	3,01	0,96	1,34		0,59	0,71	lb 0,95		
QC FF MGW 18L FEMALE		MPa 42	mm 32	81	-	34	M26X1,5	15	18	kg 0,591	NC28L030002	
		Psi 6090	inch 1,26	3,19	-	1,34		0,59	0,71	lb 1,30		

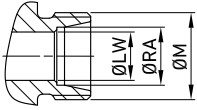
												<b>SS</b> Stainless Steel
TYPE	DN	PN	ØA	C	Ød	ch	ØM	ØLW	ØRA	WEIGHT	ITEM CODE	
QC FF MGW 12L MALE	12,5	MPa 42	mm -	75,5	24,5	34	M18X1,5	10	12	kg 0,35	NC27L03S000	
		Psi 6090	inch -	2,97	0,96	1,34		0,39	0,47	lb 0,77		
QC FF MGW 12L FEMALE		MPa 42	mm 32	80	-	34	M18X1,5	10	12	kg 0,579	NC28L03S000	
		Psi 6090	inch 1,26	3,15	-	1,34		0,39	0,47	lb 1,28		
QC FF MGW 15L MALE		MPa 42	mm -		24,5	34	M22X1,5	12	15	kg 0,4	NC27L03S001	
		Psi 6090	inch -		0,00	0,96		1,34	0,47	0,59		lb 0,88
QC FF MGW 15L FEMALE		MPa 42	mm -		-	34	M22X1,5	12	15	kg 0,585	NC28L03S001	
		Psi 6090	inch -		0,00	-		1,34	0,47	0,59		lb 1,29
QC FF MGW 18L MALE		MPa 42	mm -	76,5	24,5	34	M26X1,5	15	18	kg 0,43	NC27L03S002	
		Psi 6090	inch -	3,01	0,96	1,34		0,59	0,71	lb 0,95		
QC FF MGW 18L FEMALE		MPa 42	mm 32	81	-	34	M26X1,5	15	18	kg 0,591	NC28L03S002	
		Psi 6090	inch 1,26	3,19	-	1,34		0,59	0,71	lb 1,30		



## QUICK COUPLINGS FLAT FACE MGW PLATE MOUNTING (male / female) MALE THREAD METRIC ISO 8434-1-S (DIN 2353) BULKHEAD

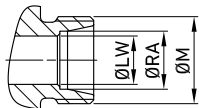
												<b>CS</b> Carbon Steel
TYPE	DN	PN	ØA	C	Ød	ch	ØM	ØLW	ØRA	WEIGHT	ITEM CODE	
QC FF MGW 16S BK MALE	12,5	MPa 42	mm -	91,3	24,5	34	M24X1,5	12	16	kg 0,322	NC271030000	
		Psi 6090	inch -	3,59	0,96	1,34		0,47	0,63	lb 0,71		
QC FF MGW 16S BK FEMALE		MPa 42	mm 32	98	-	34	M24X1,5	12	16	kg 0,755	NC281030000	
		Psi 6090	inch 1,26	3,86	-	1,34		0,47	0,63	lb 1,66		

												<b>SS</b> Stainless Steel
TYPE	DN	PN	ØA	C	Ød	ch	ØM	ØLW	ØRA	WEIGHT	ITEM CODE	
QC FF MGW 16S BK MALE	12,5	MPa 42	mm -	91,3	24,5	34	M24X1,5	12	16	kg 0,322	NC27103S000	
		Psi 6090	inch -	3,59	0,96	1,34		0,47	0,63	lb 0,71		
QC FF MGW 16S BK FEMALE		MPa 42	mm 32	98	-	34	M24X1,5	12	16	kg 0,755	NC28103S000	
		Psi 6090	inch 1,26	3,86	-	1,34		0,47	0,63	lb 1,66		


**QUICK COUPLINGS FLAT FACE MGW PLATE MOUNTING (male / female)  
MALE THREAD METRIC ISO 8434-1-L (DIN 2353) BULKHEAD**

													<b>CS</b> Carbon Steel
TYPE	DN	PN	ØA	C	Ød	ch	ØM	ØLW	ØRA	WEIGHT		ITEM CODE	
QC FF MGW 12L BK MALE	12,5	MPa 42	mm -	91,3	24,5	34	M18X1,5	10	12	kg	0,301	NC27M030000	
		Psi 6090	inch -	3,59	0,96	1,34		0,39	0,47	lb	0,66		
QC FF MGW 12L BK FEMALE		MPa 42	mm 32	96	-	34	M18X1,5	10	12	kg	0,722	NC28M030000	
		Psi 6090	inch 1,26	3,78	-	1,34		0,39	0,47	lb	1,59		
QC FF MGW 15L BK MALE		MPa 42	mm -	91,3	24,5	34	M22X1,5	12	15	kg	0,318	NC27M030001	
		Psi 6090	inch -	3,59	0,96	1,34		0,47	0,59	lb	0,70		
QC FF MGW 15L BK FEMALE		MPa 42	mm 32	96	-	34	M22X1,5	12	15	kg	0,737	NC28M030001	
		Psi 6090	inch 1,26	3,78	-	1,34		0,47	0,59	lb	1,62		

													<b>SS</b> Stainless Steel
TYPE	DN	PN	ØA	C	Ød	ch	ØM	ØLW	ØRA	WEIGHT		ITEM CODE	
QC FF MGW 12L BK MALE	12,5	MPa 42	mm -	91,3	24,5	34	M18X1,5	10	12	kg	0,301	NC27M03S000	
		Psi 6090	inch -	3,59	0,96	1,34		0,39	0,47	lb	0,66		
QC FF MGW 12L BK FEMALE		MPa 42	mm 32	96	-	34	M18X1,5	10	12	kg	0,722	NC28M03S000	
		Psi 6090	inch 1,26	3,78	-	1,34		0,39	0,47	lb	1,59		
QC FF MGW 15L BK MALE		MPa 42	mm -	91,3	24,5	34	M22X1,5	12	15	kg	0,318	NC27M03S001	
		Psi 6090	inch -	3,59	0,96	1,34		0,47	0,59	lb	0,70		
QC FF MGW 15L BK FEMALE		MPa 42	mm 32	96	-	34	M22X1,5	12	15	kg	0,737	NC28M03S001	
		Psi 6090	inch 1,26	3,78	-	1,34		0,47	0,59	lb	1,62		



## QUICK COUPLINGS FLAT FACE MGW PLATE MOUNTING (MALE / FEMALE) MALE THREAD ISO 8434-2 (SAE J514) JIC

											<b>CS</b> Carbon Steel
TYPE	DN	PN	ØA	C	Ød	ch	ØM	ØLW	WEIGHT	ITEM CODE	
QC FF MGW 1/2 JIC MALE	12,5	MPa 42	mm -	76,5	24,5	34	3/4-16	9,9	kg 0,258	NC27J030000	
		Psi 6090	inch -	3,01	0,96	1,34	UNF	0,39	lb 0,57		
QC FF MGW 1/2 JIC FEMALE		MPa 42	mm 32	82,7	-	34	3/4-16	9,9	kg 0,574	NC28J030000	
		Psi 6090	inch 1,26	3,26	-	1,34	UNF	0,39	lb 1,27		
QC FF MGW 5/8 JIC MALE		MPa 42	mm -	79	24,5	34	7/8-14	12,3	kg 0,269	NC27J030001	
		Psi 6090	inch -	3,11	0,96	1,34	UNF	0,48	lb 0,59		
QC FF MGW 5/8 JIC FEMALE		MPa 42	mm 32	85,3	-	34	7/8-14	12,3	kg 0,582	NC28J030001	
		Psi 6090	inch 1,26	3,36	-	1,34	UNF	0,48	lb 1,28		
QC FF MGW 3/4 JIC MALE		MPa 42	mm -	81,7	24,5	34	1-1/16-12	15,5	kg 0,279	NC27J030002	
		Psi 6090	inch -	3,22	0,96	1,34	UN	0,61	lb 0,62		
QC FF MGW 3/4 JIC FEMALE		MPa 42	mm 32	88	-	34	1-1/16-12	15,5	kg 0,595	NC28J030002	
		Psi 6090	inch 1,26	3,46	-	1,34	UN	0,61	lb 1,31		
QC FF MGW 1 JIC MALE	MPa 42	mm -	83	24,5	34	1-5/16-12	21,5	kg 0,289	NC27J030003		
	Psi 6090	inch -	3,27	0,96	1,34	UN	0,85	lb 0,64			
QC FF MGW 1 JIC FEMALE	MPa 42	mm 32	89	-	34	1-5/16-12	21,5	kg 0,616	NC28J030003		
	Psi 6090	inch 1,26	3,50	-	1,34	UN	0,85	lb 1,36			

											<b>SS</b> Stainless Steel
TYPE	DN	PN	ØA	C	Ød	ch	ØM	ØLW	WEIGHT	ITEM CODE	
QC FF MGW 1/2 JIC MALE	12,5	MPa 42	mm -	76,5	24,5	34	3/4-16	9,9	kg 0,258	NC27J03S000	
		Psi 6090	inch -	3,01	0,96	1,34	UNF	0,39	lb 0,57		
QC FF MGW 1/2 JIC FEMALE		MPa 42	mm 32	82,7	-	34	3/4-16	9,9	kg 0,574	NC28J03S000	
		Psi 6090	inch 1,26	3,26	-	1,34	UNF	0,39	lb 1,27		
QC FF MGW 5/8 JIC MALE		MPa 42	mm -	79	24,5	34	7/8-14	12,3	kg 0,269	NC27J03S001	
		Psi 6090	inch -	3,11	0,96	1,34	UNF	0,48	lb 0,59		
QC FF MGW 5/8 JIC FEMALE		MPa 42	mm 32	85,3	-	34	7/8-14	12,3	kg 0,582	NC28J03S001	
		Psi 6090	inch 1,26	3,36	-	1,34	UNF	0,48	lb 1,28		
QC FF MGW 3/4 JIC MALE		MPa 42	mm -	81,7	24,5	34	1-1/16-12	15,5	kg 0,279	NC27J03S002	
		Psi 6090	inch -	3,22	0,96	1,34	UN	0,61	lb 0,62		
QC FF MGW 3/4 JIC FEMALE		MPa 42	mm 32	88	-	34	1-1/16-12	15,5	kg 0,595	NC28J03S002	
		Psi 6090	inch 1,26	3,46	-	1,34	UN	0,61	lb 1,31		
QC FF MGW 1 JIC MALE	MPa 42	mm -	83	24,5	34	1-5/16-12	21,5	kg 0,289	NC27J03S003		
	Psi 6090	inch -	3,27	0,96	1,34	UN	0,85	lb 0,64			
QC FF MGW 1 JIC FEMALE	MPa 42	mm 32	89	-	34	1-5/16-12	21,5	kg 0,616	NC28J03S003		
	Psi 6090	inch 1,26	3,50	-	1,34	UN	0,85	lb 1,36			



# MGW AP

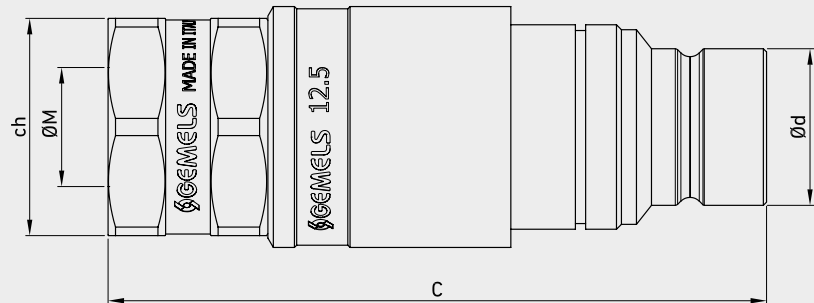
QUICK COUPLINGS FLAT FACE CONNECTION UNDER PRESSURE FOR PLATE MOUNTING

Edition. 21.1

## CS Carbon Steel

- Type: Quick Couplings
- Models: MGW AP  
Quick couplings flat face connection under pressure for plate mounting
- Sizes: from DN10 up to DN25
- Pressure: up to PN420
- Treatment: Galvanized

Male



**CODE DESCRIPTION STRUCTURE**

<b>QC</b>	<b>G 1/2</b>	<b>M</b>	<b>DN12,5</b>	<b>1</b>	<b>B</b>
-----------	--------------	----------	---------------	----------	----------

**Type of coupling**

MGW AP - quick couplings flat face connection under pressure for plate mounting (available only for multicouplings Gemels or plates)

**Ends**

ISO 1179-1	ASME	ISO 11926-1
<b>BSPP</b>	<b>B1.20.1 NPT</b>	<b>(SAE J1926-1) ORB</b>
G 3/8	N 3/8	SAE6
G 1/2	N 1/2	SAE8
G 1/2	N 1/2	SAE8
G 3/4	N 3/4	SAE12
G 3/4	N 3/4	SAE12
G 1	N 1	SAE16
G 1	N 1	SAE16
G 1 1/4	N 1 1/4	SAE20
G 1 1/2	N 1 1/2	/

MALE

**DN/ISO**

- 10
- 10
- 12,5
- 12,5
- 19
- 19
- 25
- 25
- 25

**Body Material**

- 1 = 1,0737

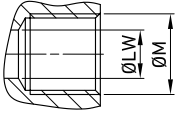
**Seal material**

- B = NBR E = FKM\*

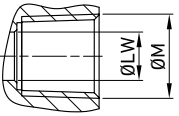


**BODY: CARBON STEEL INTERNAL COMPONENTS: STAINLESS STEEL**

\*On request  
• Plugs

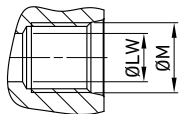

**QUICK COUPLINGS FLAT FACE CONNECTION UNDER PRESSURE MGW AP PLATE MOUNTING (male) FEMALE THREAD ISO 1179-1 BSPP**

TYPE	DN	PN	C	Ød	ch	ØM	WEIGHT	CS Carbon Steel	
								ITEM CODE	
QC FFAP MGW G 3/8 MALE	10	MPa 42	mm 91,5	19,75	30	G 3/8	kg 0,3	NC35G020000	
		Psi 6090	inch 3,60	0,78			lb 0,66		
QC FFAP MGW G 1/2 MALE	10	MPa 42	mm 95,6	19,75	30	G 1/2	kg 0,45	NC35G020001	
		Psi 6090	inch 3,76	0,78			lb 0,99		
QC FFAP MGW G 1/2 MALE	12,5	MPa 42	mm 103	24,5	34	G 1/2	kg 0,65	NC35G030000	
		Psi 6090	inch 4,06	0,96			lb 1,43		
QC FFAP MGW G 3/4 MALE	12,5	MPa 42	mm 106	24,5	34	G 3/4	kg 0,7	NC35G030001	
		Psi 6090	inch 4,17	0,96			lb 1,54		
QC FFAP MGW G 3/4 MALE	19	MPa 35	mm 128,5	29,95	41	G 3/4	kg 0,85	NC35G040000	
		Psi 5075	inch 5,06	1,18			lb 1,87		
QC FFAP MGW G 1 MALE	19	MPa 35	mm 132	29,95	41	G 1	kg 0,9	NC35G040001	
		Psi 5075	inch 5,20	1,18			lb 1,98		
QC FFAP MGW G 1 MALE	25	MPa 35	mm 143	36	50	G 1	kg 1,35	NC35G050000	
		Psi 5075	inch 5,63	1,42			lb 2,98		
QC FFAP MGW G 1 1/4 MALE	25	MPa 35	mm 145,7	36	50	G1 1/4	kg 1,4	NC35G050001	
		Psi 5075	inch 5,74	1,42			lb 3,09		
QC FFAP MGW G 1 1/2 MALE	25	MPa 35	mm 145,7	36	55	G1 1/2	kg 1,45	NC35G050002	
		Psi 5075	inch 5,74	1,42			lb 3,20		


**QUICK COUPLINGS FLAT FACE CONNECTION UNDER PRESSURE MGW AP PLATE MOUNTING (male) FEMALE THREAD ASME B1.20.1 NPT**

TYPE	DN	PN	C	Ød	ch	ØM	WEIGHT	CS Carbon Steel	
								ITEM CODE	
QC FFAP MGW N 3/8 MALE	10	MPa 42	mm 93,5	19,75	30	N 3/8	kg 0,3	NC35N020000	
		Psi 6090	inch 3,68	0,78			lb 0,66		
QC FFAP MGW N 1/2 MALE	10	MPa 42	mm 98,3	19,75	30	N 1/2	kg 0,45	NC35N020001	
		Psi 6090	inch 3,87	0,78			lb 0,99		
QC FFAP MGW N 1/2 MALE	12,5	MPa 42	mm 103	24,5	34	N 1/2	kg 0,65	NC35N030000	
		Psi 6090	inch 4,06	0,96			lb 1,43		
QC FFAP MGW N 3/4 MALE	12,5	MPa 42	mm 106	24,5	34	N 3/4	kg 0,7	NC35N030001	
		Psi 6090	inch 4,17	0,96			lb 1,54		
QC FFAP MGW N 3/4 MALE	19	MPa 35	mm 128,5	29,95	41	N 3/4	kg 0,85	NC35N040000	
		Psi 5075	inch 5,06	1,18			lb 1,87		
QC FFAP MGW N 1 MALE	19	MPa 35	mm 132	29,95	41	N 1	kg 0,9	NC35N040001	
		Psi 5075	inch 5,20	1,18			lb 1,98		
QC FFAP MGW N 1 MALE	25	MPa 35	mm 143	36	50	N 1	kg 1,35	NC35N050000	
		Psi 5075	inch 5,63	1,42			lb 2,98		
QC FFAP MGW N 1 1/4 MALE	25	MPa 35	mm 145,7	36	50	N1 1/4	kg 1,4	NC35N050001	
		Psi 5075	inch 5,74	1,42			lb 3,09		
QC FFAP MGW N 1 1/2 MALE	25	MPa 35	mm 145,7	36	55	N1 1/2	kg 1,45	NC35N050002	
		Psi 5075	inch 5,74	1,42			lb 3,20		





## QUICK COUPLINGS FLAT FACE CONNECTION UNDER PRESSURE MGW AP PLATE MOUNTING (male) FEMALE THREAD ISO 11926-1 (SAE J1926-1) ORB

									CS Carbon Steel	
TYPE	DN	PN		C	$\varnothing d$	ch	$\varnothing M$	WEIGHT	ITEM CODE	
QC FFAP MGW SAE6 MALE	10	MPa 42	mm 92,6	19,75	30	9/16-18 UNF		kg 0,3	NC35S020000	
		Psi 6090	inch 3,65	0,78				lb 0,66		
QC FFAP MGW SAE8 MALE	10	MPa 42	mm 95,6	19,75	30	3/4-16 UNF		kg 0,45	NC35S020001	
		Psi 6090	inch 3,76	0,78				lb 0,99		
QC FFAP MGW SAE8 MALE	12,5	MPa 42	mm 103	24,5	34	3/4-16 UNF		kg 0,65	NC35S030000	
		Psi 6090	inch 4,06	0,96				lb 1,43		
QC FFAP MGW SAE12 MALE	12,5	MPa 42	mm 108,5	24,5	34	1-1/16-12 UN		kg 0,7	NC35S030001	
		Psi 6090	inch 4,27	0,96				lb 1,54		
QC FFAP MGW SAE12 MALE	19	MPa 35	mm 130	29,95	41	1-1/16-12 UN		kg 0,85	NC35S040000	
		Psi 5075	inch 5,12	1,18				lb 1,87		
QC FFAP MGW SAE16 MALE	19	MPa 35	mm 132	29,95	41	1 5/16-12 UN		kg 0,9	NC35S040001	
		Psi 5075	inch 5,20	1,18				lb 1,98		
QC FFAP MGW SAE16 MALE	25	MPa 35	mm 143	36	50	1 5/16-12 UN		kg 1,35	NC35S050000	
		Psi 5075	inch 5,63	1,42				lb 2,98		
QC FFAP MGW SAE20 MALE	25	MPa 35	mm 145,7	36	50	1 5/8-12 UN		kg 1,4	NC35S050001	
		Psi 5075	inch 5,74	1,42				lb 3,09		



# ISO A

ISO 7241/A - WITH POPPET

Available PL version, free flow (without valve) on both sides

Edition. 21.3

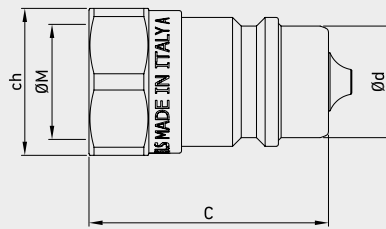
## CS Carbon Steel

- Type: Quick Couplings
- Models: ISO 7241/A
- Sizes: from DN6 to DN50
- Pressure: up to PN420
- Treatment: Galvanized

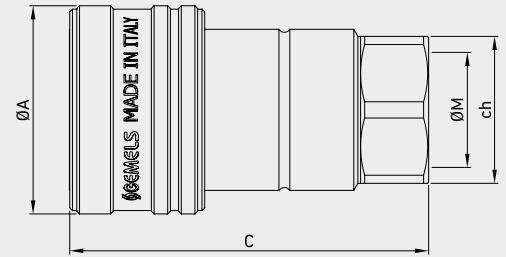
## SS Stainless Steel

- Type: Quick Couplings
- Models: ISO 7241/A
- Sizes: from DN6 to DN50
- Pressure: up to PN300

Male



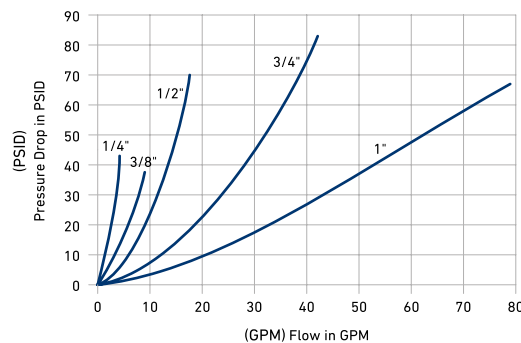
Female



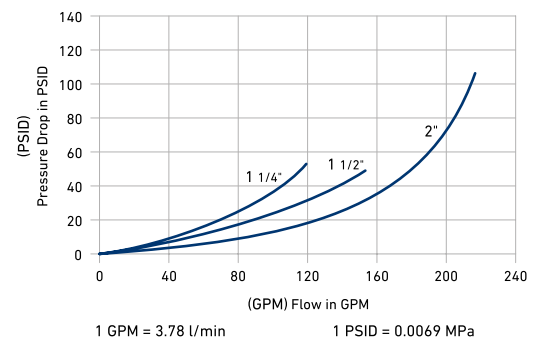
Available also in patented version: ball valve with integrated quick coupling.

### Performance

(1/4", 3/8", 1/2", 3/4", 1")  
Series (1/4", 3/8", 1/2", 3/4", 1")  
200SUS (Test Fluid: Oil-200SUS)



(1 1/4", 1 1/2", 2")  
(1 1/4", 1 1/2", 2")



1 GPM = 3.78 l/min

1 PSID = 0.0069 MPa



### CODE DESCRIPTION STRUCTURE

QC	G1/2	M/F	DN12,5	1	B
----	------	-----	--------	---	---

**Type of coupling**

ISO 7241/A

**Ends**

ISO 1179-1 BSPP	ASME B1.20.1 NPT	ISO 11926-1 (SAE J1926-1) ORB
G 1/4	N 1/4	SAE4
G 3/8	N 3/8	SAE6
G 1/2	N 1/2	SAE8
G 3/4	N 3/4	SAE12
G 1	N 1	SAE16
G 1 1/4	N 1 1/4	SAE20
G 1 1/2	N 1 1/2	SAE24
G 2	N 2	SAE32

MALE

FEMALE

**DN/ISO**

- 6,3
- 10
- 12,5
- 20
- 25
- 31,5
- 40
- 50

**Body Material**

- 1 = 1,0737
- 4 = 1,4404

**Seal material**

- B = NBR E = FKM\*
- E = FKM

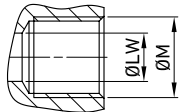
\*On request

- Plugs
- Caps



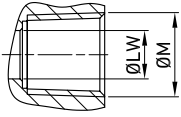
Available colours:

- Blue
- Yellow
- Red
- Green



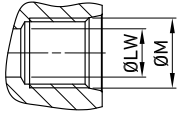
**QUICK COUPLINGS ISO 7241/A (male / female)  
FEMALE THREAD ISO 1179-1 BSPP WITH POPPET**

										CS Carbon Steel											SS Stainless Steel
TYPE	DN	PN	ØA	C	Ød	ch	ØM	WEIGHT	ITEM CODE	TYPE	DN	PN	ØA	C	Ød	ch	ØM	WEIGHT	ITEM CODE		
QC ISO A G 1/4 MALE	6.3	MPa 42	mm - 35,5	11,86	19		G1/4	kg 0,037	NC01G010000	QC ISO A G 1/4 MALE	6.3	MPa 30	mm - 34	11,8	19		G1/4	kg 0,037	NC01G010001		
		Psi 6090	inch - 1,40	0,47	0,75			lb 0,08				Psi 4350	inch - 1,34	0,46	0,75			lb 0,08			
QC ISO A G 1/4 FEMALE	6.3	MPa 42	mm 25	49,6	-	19	G1/4	kg 0,11	NC02G010000	QC ISO A G 1/4 FEMALE	6.3	MPa 30	mm 26	58,5	-	19	G1/4	kg 0,11	NC02G010001		
		Psi 6090	inch 0,98	1,95	-	0,75		lb 0,24				Psi 4350	inch 1,02	2,30	-	0,75		lb 0,24			
QC ISO A G 3/8 MALE	10	MPa 42	mm - 39,5	17,3	22		G3/8	kg 0,05	NC01G020000	QC ISO A G 3/8 MALE	10	MPa 25	mm - 40	17,3	22		G3/8	kg 0,05	NC01G025000		
		Psi 6090	inch - 1,56	0,68	0,87			lb 0,11				Psi 3625	inch - 1,57	0,68	0,87			lb 0,11			
QC ISO A G 3/8 FEMALE	10	MPa 42	mm 32	57	-	22	G3/8	kg 0,15	NC02G020000	QC ISO A G 3/8 FEMALE	10	MPa 25	mm 30	64	-	22	G3/8	kg 0,15	NC02G025000		
		Psi 6090	inch 1,26	2,24	-	0,87		lb 0,33				Psi 3625	inch 1,18	2,52	-	0,87		lb 0,33			
QC ISO A G 1/2 MALE	12,5	MPa 35	mm - 44	20,5	27		G1/2	kg 0,0924	NC01G030000	QC ISO A G 1/2 MALE	12,5	MPa 25	mm - 46	20,5	27		G1/2	kg 0,0924	NC01G030001		
		Psi 5075	inch - 1,73	0,81	1,06			lb 0,20				Psi 3625	inch - 1,81	0,81	1,06			lb 0,20			
QC ISO A G 1/2 FEMALE	12,5	MPa 35	mm 38,25	66	-	27	G1/2	kg 0,227	NC02G030000	QC ISO A G 1/2 FEMALE	12,5	MPa 25	mm 38	73	-	27	G1/2	kg 0,227	NC02G030001		
		Psi 5075	inch 1,51	2,60	-	1,06		lb 0,50				Psi 3625	inch 1,50	2,87	-	1,06		lb 0,50			
QC ISO A G 3/4 MALE	20	MPa 25	mm - 55,5	29,1	34		G3/4	kg 0,2	NC01G040000	QC ISO A G 3/4 MALE	20	MPa 25	mm - 54	29,1	36		G3/4	kg 0,2	NC01G045000		
		Psi 3625	inch - 2,19	1,15	1,34			lb 0,44				Psi 3625	inch - 2,13	1,15	1,42			lb 0,44			
QC ISO A G 3/4 FEMALE	20	MPa 25	mm 48	83	-	34	G3/4	kg 0,49	NC02G040000	QC ISO A G 3/4 FEMALE	20	MPa 25	mm 48	87,5	-	36	G3/4	kg 0,49	NC02G045000		
		Psi 3625	inch 1,89	3,27	-	1,34		lb 1,08				Psi 3625	inch 1,89	3,44	-	1,42		lb 1,08			
QC ISO A G 1 MALE	25	MPa 25	mm - 66	34,34	41		G 1	kg 0,311	NC01G050000	QC ISO A G 1 MALE	25	MPa 20	mm - 63	34,3	41		G 1	kg 0,311	NC01G050001		
		Psi 3625	inch - 2,60	1,35	1,61			lb 0,69				Psi 2900	inch - 2,48	1,35	1,61			lb 0,69			
QC ISO A G 1 FEMALE	25	MPa 25	mm 56	100	-	41	G 1	kg 0,7825	NC02G050000	QC ISO A G 1 FEMALE	25	MPa 20	mm 54	103	-	38	G 1	kg 0,7825	NC02G050001		
		Psi 3625	inch 2,20	3,94	-	1,61		lb 1,73				Psi 2900	inch 2,13	4,06	-	1,50		lb 1,73			
QC ISO A G 1 1/4 MALE	31,5	MPa 25	mm - 74,8	45	50		G 1 1/4	kg 0,537	NC01G060000	QC ISO A G 1 1/4 MALE	31,5	MPa 10	mm - 69	45	50		G 1 1/4	kg 0,537	NC01G065000		
		Psi 3625	inch - 2,94	1,77	1,97			lb 1,18				Psi 1450	inch - 2,72	1,77	1,97			lb 1,18			
QC ISO A G 1 1/4 FEMALE	31,5	MPa 25	mm 71	117,5	-	50	G 1 1/4	kg 1,243	NC02G060000	QC ISO A G 1 1/4 FEMALE	31,5	MPa 10	mm 70	115	-	50	G 1 1/4	kg 1,243	NC02G065000		
		Psi 3625	inch 2,80	4,63	-	1,97		lb 2,74				Psi 1450	inch 2,76	4,53	-	1,97		lb 2,74			
QC ISO A G 1 1/2 MALE	40	MPa 20	mm - 84	55	60		G 1 1/2	kg 0,881	NC01G070000	QC ISO A G 1 1/2 MALE	40	MPa 8	mm - 73	55	60		G 1 1/2	kg 0,881	NC01G075000		
		Psi 2900	inch - 3,31	2,17	2,36			lb 1,94				Psi 1160	inch - 2,87	2,17	2,36			lb 1,94			
QC ISO A G 1 1/2 FEMALE	40	MPa 20	mm 86	135	-	60	G 1 1/2	kg 2,126	NC02G070000	QC ISO A G 1 1/2 FEMALE	40	MPa 8	mm 81	123	-	60	G 1 1/2	kg 2,126	NC02G075000		
		Psi 2900	inch 3,39	5,31	-	2,36		lb 4,69				Psi 1160	inch 3,19	4,84	-	2,36		lb 4,69			
QC ISO A G 2 MALE	50	MPa 15	mm - 102,5	65,1	75		G 2	kg 1,613	NC01G080000	QC ISO A G 2 MALE	50	MPa 6	mm - 90	65,1	70		G 2	kg 1,613	NC01G085000		
		Psi 2175	inch - 4,04	2,56	2,95			lb 3,56				Psi 870	inch - 3,54	2,56	2,76			lb 3,56			
QC ISO A G 2 FEMALE	50	MPa 15	mm 103	162,5	-	75	G 2	kg 3,961	NC02G080000	QC ISO A G 2 FEMALE	50	MPa 6	mm 103	147	-	70	G 2	kg 3,961	NC02G085000		
		Psi 2175	inch 4,06	6,40	-	2,95		lb 8,73				Psi 870	inch 4,06	5,79	-	2,76		lb 8,73			



## QUICK COUPLINGS ISO 7241/A (male / female) FEMALE THREAD ASME B1.20.1 NPT WITH POPPET

										CS Carbon Steel											SS Stainless Steel
TYPE	DN	PN	ØA	C	Ød	ch	ØM	WEIGHT	ITEM CODE	TYPE	DN	PN	ØA	C	Ød	ch	ØM	WEIGHT	ITEM CODE		
QC ISO A N 1/4 MALE	6.3	MPa 42	mm - 35,5	11,86	19	N1/4		kg 0,037	NC01N010000	QC ISO A N 1/4 MALE	6.3	MPa 30	mm - 34	11,8	19	N1/4		kg 0,037	NC01N010001		
		Psi 6090	inch - 1,40	0,47	0,75			lb 0,08				Psi 4350	inch - 1,34	0,46	0,75			lb 0,08			
QC ISO A N 1/4 FEMALE	6.3	MPa 42	mm 25	49,6	- 19	N1/4		kg 0,11	NC02N010000	QC ISO A N 1/4 FEMALE	6.3	MPa 30	mm 26	58,5	- 19	N1/4		kg 0,11	NC02N010001		
		Psi 6090	inch 0,98	1,95	- 0,75			lb 0,24				Psi 4350	inch 1,02	2,30	- 0,75			lb 0,24			
QC ISO A N 3/8 MALE	10	MPa 42	mm - 39,5	17,3	22	N3/8		kg 0,05	NC01N020000	QC ISO A N 3/8 MALE	10	MPa 25	mm - 40	17,3	22	N3/8		kg 0,05	NC01N020001		
		Psi 6090	inch - 1,56	0,68	0,87			lb 0,11				Psi 3625	inch - 1,57	0,68	0,87			lb 0,11			
QC ISO A N 3/8 FEMALE	10	MPa 42	mm 32	57	- 22	N3/8		kg 0,15	NC02N020000	QC ISO A N 3/8 FEMALE	10	MPa 25	mm 30	64	- 22	N3/8		kg 0,15	NC02N020001		
		Psi 6090	inch 1,26	2,24	- 0,87			lb 0,33				Psi 3625	inch 1,18	2,52	- 0,87			lb 0,33			
QC ISO A N 1/2 MALE	12,5	MPa 35	mm - 44	20,5	27	N1/2		kg 0,0924	NC01N030000	QC ISO A N 1/2 MALE	12,5	MPa 25	mm - 46	20,5	27	N1/2		kg 0,0924	NC01N030001		
		Psi 5075	inch - 1,73	0,81	1,06			lb 0,20				Psi 3625	inch - 1,81	0,81	1,06			lb 0,20			
QC ISO A N 1/2 FEMALE	12,5	MPa 35	mm 38,25	66	- 27	N1/2		kg 0,227	NC02N030000	QC ISO A N 1/2 FEMALE	12,5	MPa 25	mm 38	73	- 27	N1/2		kg 0,227	NC02N030001		
		Psi 5075	inch 1,51	2,60	- 1,06			lb 0,50				Psi 3625	inch 1,50	2,87	- 1,06			lb 0,50			
QC ISO A N 3/4 MALE	20	MPa 25	mm - 55,5	29,1	34	N3/4		kg 0,2	NC01N040000	QC ISO A N 3/4 MALE	20	MPa 25	mm - 54	29,1	36	N3/4		kg 0,2	NC01N040001		
		Psi 3625	inch - 2,19	1,15	1,34			lb 0,44				Psi 3625	inch - 2,13	1,15	1,42			lb 0,44			
QC ISO A N 3/4 FEMALE	20	MPa 25	mm 48	83	- 34	N3/4		kg 0,49	NC02N040000	QC ISO A N 3/4 FEMALE	20	MPa 25	mm 48	87,5	- 36	N3/4		kg 0,49	NC02N040001		
		Psi 3625	inch 1,89	3,27	- 1,34			lb 1,08				Psi 3625	inch 1,89	3,44	- 1,42			lb 1,08			
QC ISO A N 1 MALE	25	MPa 25	mm - 66	34,34	41	N 1		kg 0,311	NC01N050000	QC ISO A N 1 MALE	25	MPa 20	mm - 63	34,3	41	N 1		kg 0,311	NC01N050001		
		Psi 3625	inch - 2,60	1,35	1,61			lb 0,69				Psi 2900	inch - 2,48	1,35	1,61			lb 0,69			
QC ISO A N 1 FEMALE	25	MPa 25	mm 56	100	- 41	G 1		kg 0,7825	NC02N050000	QC ISO A N 1 FEMALE	25	MPa 20	mm 54	103	- 38	G 1		kg 0,7825	NC02N050001		
		Psi 3625	inch 2,20	3,94	- 1,61			lb 1,73				Psi 2900	inch 2,13	4,06	- 1,50			lb 1,73			
QC ISO A N 1 1/4 MALE	31,5	MPa 25	mm - 74,8	45	50	N1 1/4		kg 0,537	NC01N060000	QC ISO A N 1 1/4 MALE	31,5	MPa 10	mm - 69	45	50	N1 1/4		kg 0,537	NC01N060001		
		Psi 3625	inch - 2,94	1,77	1,97			lb 1,18				Psi 1450	inch - 2,72	1,77	1,97			lb 1,18			
QC ISO A N 1 1/4 FEMALE	31,5	MPa 25	mm 71	117,5	- 50	N1 1/4		kg 1,243	NC02N060000	QC ISO A N 1 1/4 FEMALE	31,5	MPa 10	mm 70	115	- 50	N1 1/4		kg 1,243	NC02N060001		
		Psi 3625	inch 2,80	4,63	- 1,97			lb 2,74				Psi 1450	inch 2,76	4,53	- 1,97			lb 2,74			
QC ISO A N 1 1/2 MALE	40	MPa 20	mm - 84	55	60	N1 1/2		kg 0,881	NC01N070000	QC ISO A N 1 1/2 MALE	40	MPa 8	mm - 73	55	60	N1 1/2		kg 0,881	NC01N070001		
		Psi 2900	inch - 3,31	2,17	2,36			lb 1,94				Psi 1160	inch - 2,87	2,17	2,36			lb 1,94			
QC ISO A N 1 1/2 FEMALE	40	MPa 20	mm 86	135	- 60	N1 1/2		kg 2,126	NC02N070000	QC ISO A N 1 1/2 FEMALE	40	MPa 8	mm 81	126	- 60	N1 1/2		kg 2,126	NC02N070001		
		Psi 2900	inch 3,39	5,31	- 2,36			lb 4,69				Psi 1160	inch 3,19	4,96	- 2,36			lb 4,69			
QC ISO A N 2 MALE	50	MPa 15	mm - 102,5	65,1	75	N 2		kg 1,613	NC01N080000	QC ISO A N 2 MALE	50	MPa 6	mm - 90	65,1	70	N 2		kg 1,613	NC01N080001		
		Psi 2175	inch - 4,04	2,56	2,95			lb 3,56				Psi 870	inch - 3,54	2,56	2,76			lb 3,56			
QC ISO A N 2 FEMALE	50	MPa 15	mm 103	162,5	- 75	N 2		kg 3,961	NC02N080000	QC ISO A N 2 FEMALE	50	MPa 6	mm 103	147	- 70	N 2		kg 3,961	NC02N080001		
		Psi 2175	inch 4,06	6,40	- 2,95			lb 8,73				Psi 870	inch 4,06	5,79	- 2,76			lb 8,73			



**QUICK COUPLINGS ISO 7241/A (male / female)  
FEMALE THREAD ISO 11926-1 (SAE J1926-1) ORB WITH POPPET**

										CS Carbon Steel											SS Stainless Steel
TYPE	DN	PN	ØA	C	Ød	ch	ØM	WEIGHT	ITEM CODE	TYPE	DN	PN	ØA	C	Ød	ch	ØM	WEIGHT	ITEM CODE		
QC ISO A SAE4 MALE	6.3	MPa 42	mm -	35,5	11,86	19	SAE4	kg 0,037	NC01S010000	QC ISO A SAE4 MALE	6.3	MPa 30	mm -	34	11,8	19	SAE4	kg 0,037	NC01S01S000		
		Psi 6090	inch -	1,40	0,47	0,75		lb 0,08				Psi 4350	inch -	1,34	0,46	0,75		lb 0,08			
QC ISO A SAE4 FEMALE	6.3	MPa 42	mm 25	49,6	-	19	SAE4	kg 0,11	NC02S010000	QC ISO A SAE4 FEMALE	6.3	MPa 30	mm 26	58,5	-	19	SAE4	kg 0,11	NC02S01S000		
		Psi 6090	inch 0,98	1,95	-	0,75		lb 0,24				Psi 4350	inch 1,02	2,30	-	0,75		lb 0,24			
QC ISO A SAE6 MALE	10	MPa 42	mm -	39,5	17,3	22	SAE6	kg 0,05	NC01S020000	QC ISO A SAE6 MALE	10	MPa 25	mm -	40	17,3	22	SAE6	kg 0,05	NC01S02S000		
		Psi 6090	inch -	1,56	0,68	0,87		lb 0,11				Psi 3625	inch -	1,57	0,68	0,87		lb 0,11			
QC ISO A SAE6 FEMALE	10	MPa 42	mm 32	57	-	22	SAE6	kg 0,15	NC02S020000	QC ISO A SAE6 FEMALE	10	MPa 25	mm 30	64	-	22	SAE6	kg 0,15	NC02S02S000		
		Psi 6090	inch 1,26	2,24	-	0,87		lb 0,33				Psi 3625	inch 1,18	2,52	-	0,87		lb 0,33			
QC ISO A SAE8 MALE	12,5	MPa 35	mm -	44	20,5	27	SAE8	kg 0,0924	NC01S030000	QC ISO A SAE8 MALE	12,5	MPa 25	mm -	46	20,5	27	SAE8	kg 0,0924	NC01S03S000		
		Psi 5075	inch -	1,73	0,81	1,06		lb 0,20				Psi 3625	inch -	1,81	0,81	1,06		lb 0,20			
QC ISO A SAE8 FEMALE	12,5	MPa 35	mm 38,25	66	-	27	SAE8	kg 0,227	NC02S030000	QC ISO A SAE8 FEMALE	12,5	MPa 25	mm 38	73	-	27	SAE8	kg 0,227	NC02S03S000		
		Psi 5075	inch 1,51	2,60	-	1,06		lb 0,50				Psi 3625	inch 1,50	2,87	-	1,06		lb 0,50			
QC ISO A SAE12 MALE	20	MPa 25	mm -	55,5	29,1	34	SAE12	kg 0,2	NC01S040000	QC ISO A SAE12 MALE	20	MPa 25	mm -	54	29,1	36	SAE12	kg 0,2	NC01S04S000		
		Psi 3625	inch -	2,19	1,15	1,34		lb 0,44				Psi 3625	inch -	2,13	1,15	1,42		lb 0,44			
QC ISO A SAE12 FEMALE	20	MPa 25	mm 48	83	-	34	SAE12	kg 0,49	NC02S040000	QC ISO A SAE12 FEMALE	20	MPa 25	mm 48	87,5	-	36	SAE12	kg 0,49	NC02S04S000		
		Psi 3625	inch 1,89	3,27	-	1,34		lb 1,08				Psi 3625	inch 1,89	3,44	-	1,42		lb 1,08			
QC ISO A SAE16 MALE	25	MPa 25	mm -	66	34,34	41	SAE16	kg 0,311	NC01S050000	QC ISO A SAE16 MALE	25	MPa 20	mm -	63	34,3	41	SAE16	kg 0,311	NC01S05S000		
		Psi 3625	inch -	2,60	1,35	1,61		lb 0,69				Psi 2900	inch -	2,48	1,35	1,61		lb 0,69			
QC ISO A SAE16 FEMALE	25	MPa 25	mm 56	100	-	41	SAE16	kg 0,7825	NC02S050000	QC ISO A SAE16 FEMALE	25	MPa 20	mm 54	103	-	38	SAE16	kg 0,7825	NC02S05S000		
		Psi 3625	inch 2,20	3,94	-	1,61		lb 1,73				Psi 2900	inch 2,13	4,06	-	1,50		lb 1,73			
QC ISO A SAE20 MALE	31,5	MPa 25	mm -	74,8	45	50	SAE20	kg 0,537	NC01S060000	QC ISO A SAE20 MALE	31,5	MPa 10	mm -	69	45	50	SAE20	kg 0,537	NC01S06S000		
		Psi 3625	inch -	2,94	1,77	1,97		lb 1,18				Psi 1450	inch -	2,72	1,77	1,97		lb 1,18			
QC ISO A SAE20 FEMALE	31,5	MPa 25	mm 71	117,5	-	50	SAE20	kg 1,243	NC02S060000	QC ISO A SAE20 FEMALE	31,5	MPa 10	mm 70	115	-	50	SAE20	kg 1,243	NC02S06S000		
		Psi 3625	inch 2,80	4,63	-	1,97		lb 2,74				Psi 1450	inch 2,76	4,53	-	1,97		lb 2,74			
QC ISO A SAE24 MALE	40	MPa 20	mm -	84	55	60	SAE24	kg 0,881	NC01S070000	QC ISO A SAE24 MALE	40	MPa 8	mm -	73	55	60	SAE24	kg 0,881	NC01S07S000		
		Psi 2900	inch -	3,31	2,17	2,36		lb 1,94				Psi 1160	inch -	2,87	2,17	2,36		lb 1,94			
QC ISO A SAE24 FEMALE	40	MPa 20	mm 86	135	-	60	SAE24	kg 2,126	NC02S070000	QC ISO A SAE24 FEMALE	40	MPa 8	mm 81	126	-	60	SAE24	kg 2,126	NC02S07S000		
		Psi 2900	inch 3,39	5,31	-	2,36		lb 4,69				Psi 1160	inch 3,19	4,96	-	2,36		lb 4,69			
QC ISO A SAE32 MALE	50	MPa 15	mm -	102,5	65,1	75	SAE32	kg 1,613	NC01S080000	QC ISO A SAE32 MALE	50	MPa 6	mm -	90	65,1	70	SAE32	kg 1,613	NC01S08S000		
		Psi 2175	inch -	4,04	2,56	2,95		lb 3,56				Psi 870	inch -	3,54	2,56	2,76		lb 3,56			
QC ISO A SAE32 FEMALE	50	MPa 15	mm 103	162,5	-	75	SAE32	kg 3,961	NC02S080000	QC ISO A SAE32 FEMALE	50	MPa 6	mm 103	147	-	70	SAE32	kg 3,961	NC02S08S000		
		Psi 2175	inch 4,06	6,40	-	2,95		lb 8,73				Psi 870	inch 4,06	5,79	-	2,76		lb 8,73			





# PUSH-PULL AGRI

QUICK COUPLINGS ISO 7241/A  
PUSH-PULL AGRICULTURE

**This model allows to joint the male couplers  
with remaining pressure**

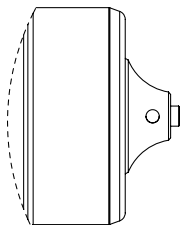
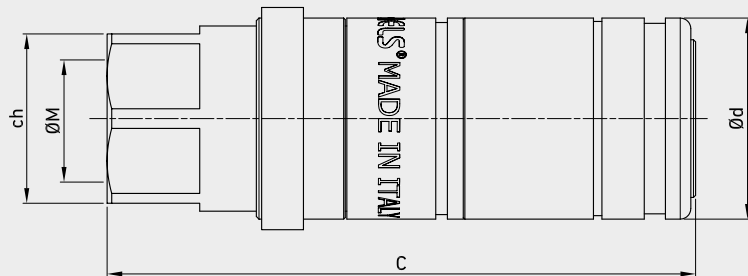
Edition. 21.0

## CS Carbon Steel

- Type: Quick Couplings
- Models: ISO 7241/A PUSH-PULL AGRICULTURE
- Sizes: DN12,5
- Pressure: up to PN250
- Treatment: Galvanized

## SS Stainless Steel

- Type: Quick Couplings
- Models: ISO 7241/A PUSH-PULL AGRICULTURE
- Sizes: DN12,5
- Pressure: up to PN250



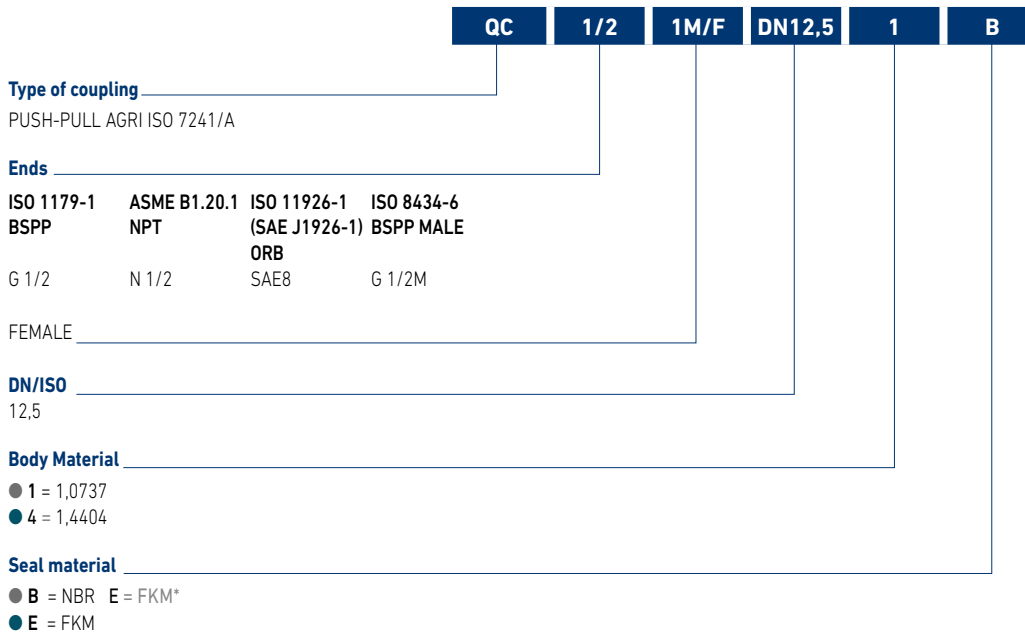
Special pin to connect parts under residual pressure.  
The pin could be mounted on both sides, male or female.  
The opposite side has to be a ISO A standard poppet.

During connection the residual pressure  
will release by the smaller holes.



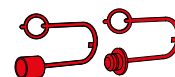


### CODE DESCRIPTION STRUCTURE



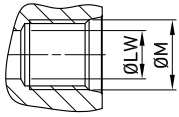
\*On request

- Other threads on request (DIN)
- Plug
- Caps



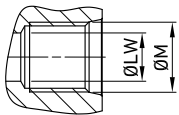
Available colours:

- Blue
- Yellow
- Red
- Green



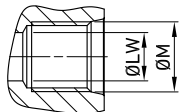
**QUICK COUPLINGS PUSH-PULL AGRI ISO 7241/A (female)  
FEMALE THREAD ISO 1179-1 BSPP WITH POPPET**

									CS Carbon Steel										SS Stainless Steel
TYPE	DN	PN	C	Ød	ch	ØM	WEIGHT	ITEM CODE	TYPE	DN	PN	C	Ød	ch	ØM	WEIGHT	ITEM CODE		
QC PP AGRI G 1/2 FEMALE	12,5	MPa 25	mm 111,2	38	32	G1/2	kg 0,227	NC26G030000	QC PP AGRI G 1/2 FEMALE	12,5	MPa 25	mm 111,2	38	32	G1/2	kg 0,227	NC26G03S000		
		Psi 3625	inch 4,38	1,50	1,26		lb 0,50				Psi 3625	inch 4,38	1,50	1,26		lb 0,50			



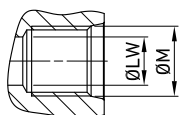
**QUICK COUPLINGS PUSH-PULL AGRI ISO 7241/A (female)  
FEMALE THREAD ASME B1.20.1 NPT WITH POPPET**

									CS Carbon Steel										SS Stainless Steel
TYPE	DN	PN	C	Ød	ch	ØM	WEIGHT	ITEM CODE	TYPE	DN	PN	C	Ød	ch	ØM	WEIGHT	ITEM CODE		
QC PP AGRI N 1/2 FEMALE	12,5	MPa 25	mm 111,2	38	32	N1/2	kg 0,227	NC26N030000	QC PP AGRI N 1/2 FEMALE	12,5	MPa 25	mm 111,2	38	32	N1/2	kg 0,227	NC26N03S000		
		Psi 3625	inch 4,38	1,50	1,26		lb 0,50				Psi 3625	inch 4,38	1,50	1,26		lb 0,50			



### QUICK COUPLINGS PUSH-PULL AGRI ISO 7241/A (female) FEMALE THREAD ISO 11926-1 (SAE J1926-1) ORB WITH POPPET

										CS Carbon Steel											SS Stainless Steel
TYPE	DN	PN	C	Ød	ch	ØM	WEIGHT	ITEM CODE		TYPE	DN	PN	C	Ød	ch	ØM	WEIGHT	ITEM CODE			
QC PP AGRI SAE8 FEMALE	12,5	MPa 25	mm 111,2	38	32	SAE8	kg 0,227	NC26S030000		QC PP AGRI SAE8 FEMALE	12,5	MPa 25	mm 111,2	38	32	SAE8	kg 0,227	NC26S03S000			
		Psi 3625	inch 4,38	1,50	1,26		lb 0,50		Psi 3625			inch 4,38	1,50	1,26	lb 0,50						



### QUICK COUPLINGS PUSH-PULL AGRI ISO 7241/A (female) MALE THREAD ISO 8434-6 BSPP WITH POPPET

										CS Carbon Steel											SS Stainless Steel
TYPE	DN	PN	C	Ød	ch	ØM	WEIGHT	ITEM CODE		TYPE	DN	PN	C	Ød	ch	ØM	WEIGHT	ITEM CODE			
QC PP AGRI G 1/2M FEMALE	12,5	MPa 25	mm 111,2	38	32	SAE8	kg 0,227	NC26E030000		QC PP AGRI G 1/2M FEMALE	12,5	MPa 25	mm 111,2	38	32	SAE8	kg 0,227	NC26E03S000			
		Psi 3625	inch 4,38	1,50	1,26		lb 0,50		Psi 3625			inch 4,38	1,50	1,26	lb 0,50						



# PUSH-PULL AGRI DV

PUSH-PULL AGRI  
WITH DECOMPRESSION VALVE

**This model allows to joint the male couplers  
with remaining pressure and even female**

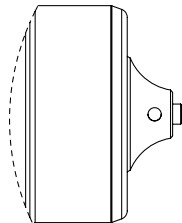
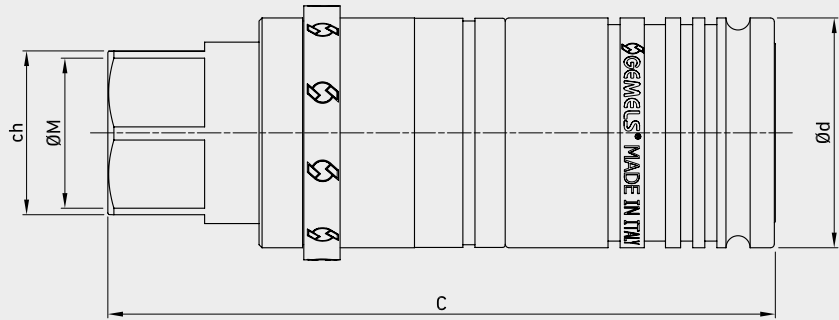
Edition. 21.1

## CS Carbon Steel

- Type: Quick Couplings
- Models: PUSH-PULL AGRI DV ISO 7241/A
- Sizes: DN12,5
- Pressure: up to PN250
- Treatment: Galvanized

## SS Stainless Steel

- Type: Quick Couplings
- Models: PUSH-PULL AGRI DV ISO 7241/A
- Sizes: DN12,5
- Pressure: up to PN250



Special pin to connect parts under residual pressure.  
The pin could be mounted on both sides, male or female.  
The opposite side has to be a ISO A standard poppet.

During connection the residual pressure  
will release by the smaller holes.



## CODE DESCRIPTION STRUCTURE

QC	1/2	1M/F	DN12,5	1	B
<b>Type of coupling</b>					
PUSH-PULL AGRI ISO 7241/A					
<b>Ends</b>					
ISO 1179-1 BSPP	ASME B1.20.1 NPT	ISO 11926-1 (SAE J1926-1) ORB	ISO 8434-6 BSPP MALE		
G 1/2	N 1/2	SAE8	G 1/2M		
FEMALE					
<b>DN/ISO</b>					
12,5					
<b>Body Material</b>					
● 1 = 1,0737					
● 4 = 1,4404					
<b>Seal material</b>					
● B = NBR E = FKM*					
● E = FKM					

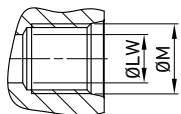
\*On request

- Other threads on request (DIN)
- Plug
- Caps



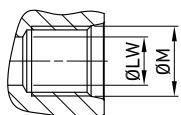
Available colours:

- Blue
- Yellow
- Red
- Green



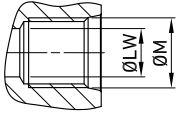
**QUICK COUPLINGS PUSH-PULL AGRI DV ISO 7241/A (female)  
FEMALE THREAD ISO 1179-1 BSPP WITH POPPET**

										CS Carbon Steel											SS Stainless Steel
TYPE	DN	PN	C	Ød	ch	ØM	WEIGHT	ITEM CODE		TYPE	DN	PN	C	Ød	ch	ØM	WEIGHT	ITEM CODE			
QC PP AGRI DV G 1/2 FEMALE	12,5	MPa 25	mm 110,5	38	27	G1/2	kg 0,227	NC25G030000		QC PP AGRI DV G 1/2 FEMALE	12,5	MPa 25	mm 110,5	38	27	G1/2	kg 0,227	NC25G03S000			
		Psi 3625										inch 4,35								1,50	1,06



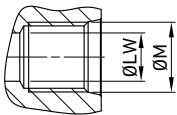
**QUICK COUPLINGS PUSH-PULL AGRI DV ISO 7241/A (female)  
FEMALE THREAD ASME B1.20.1 NPT WITH POPPET**

										CS Carbon Steel											SS Stainless Steel
TYPE	DN	PN	C	Ød	ch	ØM	WEIGHT	ITEM CODE		TYPE	DN	PN	C	Ød	ch	ØM	WEIGHT	ITEM CODE			
QC PP AGRI DV N 1/2 FEMALE	12,5	MPa 25	mm 110,5	38	27	N1/2	kg 0,227	NC25N030000		QC PP AGRI DV N 1/2 FEMALE	12,5	MPa 25	mm 110,5	38	27	N1/2	kg 0,227	NC25N03S000			
		Psi 3625										inch 4,35								1,50	1,06



### QUICK COUPLINGS PUSH-PULL AGRI DV ISO 7241/A (female) FEMALE THREAD ISO 11926-1 (SAE J1926-1) ORB WITH POPPET

										CS Carbon Steel											SS Stainless Steel
TYPE	DN	PN	C	Ød	ch	ØM	WEIGHT	ITEM CODE		TYPE	DN	PN	C	Ød	ch	ØM	WEIGHT	ITEM CODE			
QC PP AGRI DV SAE8 FEMALE	12,5	MPa 25	mm 110,5	38	27	SAE8	kg 0,227	NC25S030000		QC PP AGRI DV SAE8 FEMALE	12,5	MPa 25	mm 110,5	38	27	SAE8	kg 0,227	NC25S03S000			
		Psi 3625	inch 4,35	1,50	1,06		lb 0,50					Psi 3625	inch 4,35	1,50	1,06		lb 0,50				



### QUICK COUPLINGS PUSH-PULL AGRI DV ISO 7241/A (female) MALE THREAD ISO 8434-6 BSPP WITH POPPET

										CS Carbon Steel											SS Stainless Steel
TYPE	DN	PN	C	Ød	ch	ØM	WEIGHT	ITEM CODE		TYPE	DN	PN	C	Ød	ch	ØM	WEIGHT	ITEM CODE			
QC PP AGRI DV G 1/2M FEMALE	12,5	MPa 25	mm 110,5	38	27	G1/2M	kg 0,227	NC25E030000		QC PP AGRI DV G 1/2M FEMALE	12,5	MPa 25	mm 110,5	38	27	G1/2M	kg 0,227	NC25E03S000			
		Psi 3625	inch 4,35	1,50	1,06		lb 0,50					Psi 3625	inch 4,35	1,50	1,06		lb 0,50				



# PUSH-PULL

ISO 7241/A - WITH POPPET PUSH-PULL

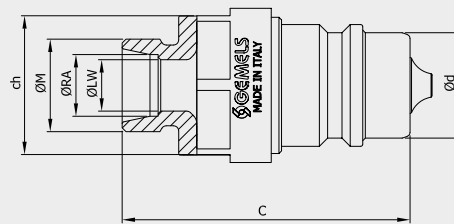
Available other different threads on request

Edition. 21.4

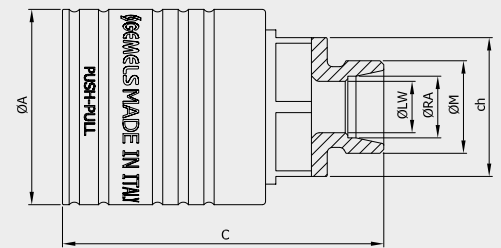
## CS Carbon Steel

- Type: Quick Couplings
- Models: ISO 7241/A  
PUSH-PULL
- Sizes: from DN10 up to DN25
- Pressure: up to PN420
- Treatment: Galvanized

Male



Female



Available also  
in patented version:  
ball valve with integrated  
quick coupling.





## CODE DESCRIPTION STRUCTURE

		QC	1/2	F/M	DN12,5	1	B																																																						
<b>Type of coupling</b>		ISO 7241A PP																																																											
<b>Ends</b>		<table border="1"> <thead> <tr> <th>ISO 1179-1 BSPP</th> <th>ASME B1.20.1 NPT</th> <th>ISO 8434-1-S (DIN 2353)</th> <th>ISO 8434-1-L (DIN 2353)</th> <th>ISO 8434-1-S (DIN 2353) BULKHEAD</th> <th>ISO 8434-1-L (DIN 2353) BULKHEAD</th> </tr> </thead> <tbody> <tr> <td>G3/8</td> <td></td> <td>12S</td> <td>6L</td> <td>10S</td> <td>8L</td> </tr> <tr> <td>G1/2</td> <td>N 1/2</td> <td>16S</td> <td>8L</td> <td>12S</td> <td>10L</td> </tr> <tr> <td>G3/4</td> <td></td> <td></td> <td>10L</td> <td>16S</td> <td>12L</td> </tr> <tr> <td>G1</td> <td></td> <td></td> <td>12L</td> <td>20S</td> <td>15L</td> </tr> <tr> <td></td> <td></td> <td></td> <td>15L</td> <td></td> <td>18L</td> </tr> <tr> <td></td> <td></td> <td></td> <td>18L</td> <td></td> <td>22L</td> </tr> <tr> <td></td> <td></td> <td></td> <td>22L</td> <td></td> <td>28L</td> </tr> <tr> <td></td> <td></td> <td></td> <td>28L</td> <td></td> <td></td> </tr> </tbody> </table>						ISO 1179-1 BSPP	ASME B1.20.1 NPT	ISO 8434-1-S (DIN 2353)	ISO 8434-1-L (DIN 2353)	ISO 8434-1-S (DIN 2353) BULKHEAD	ISO 8434-1-L (DIN 2353) BULKHEAD	G3/8		12S	6L	10S	8L	G1/2	N 1/2	16S	8L	12S	10L	G3/4			10L	16S	12L	G1			12L	20S	15L				15L		18L				18L		22L				22L		28L				28L		
ISO 1179-1 BSPP	ASME B1.20.1 NPT	ISO 8434-1-S (DIN 2353)	ISO 8434-1-L (DIN 2353)	ISO 8434-1-S (DIN 2353) BULKHEAD	ISO 8434-1-L (DIN 2353) BULKHEAD																																																								
G3/8		12S	6L	10S	8L																																																								
G1/2	N 1/2	16S	8L	12S	10L																																																								
G3/4			10L	16S	12L																																																								
G1			12L	20S	15L																																																								
			15L		18L																																																								
			18L		22L																																																								
			22L		28L																																																								
			28L																																																										
<b>MALE</b>																																																													
<b>FEMALE</b>																																																													
<b>DN/ISO</b>		10 12,5 20 25																																																											
<b>Body Material</b>		● 1 = 1,0737																																																											
<b>Seal material</b>		B = NBR E = FKM*																																																											

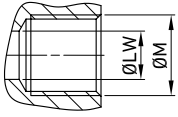
\*On request

- Plugs
- Caps



Available colours:

- Blue
- Yellow
- Red
- Green

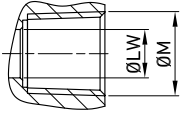


Male type see ISO 7241/A

### QUICK COUPLINGS PUSH-PULL (male / female) FEMALE THREAD ISO 1179-1 BSPP Interchangeable according to ISO 7241-A

**CS**  
Carbon  
Steel

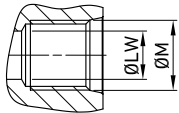
TYPE	DN	PN	ØA	C	Ød	ch	ØM	WEIGHT	ITEM CODE
QC PP G 3/8 FEMALE	10	MPa 42	mm 32	60,5	-	24	G3/8	kg 0,26	NC12G020000
		Psi 6090	inch 1,26	2,38	-	0,94		lb 0,57	
QC PP G 1/2 FEMALE	10	MPa 42	mm 32	63	-	24	G1/2	kg 0,28	NC12G020001
		Psi 6090	inch 1,26	2,48	-	0,94		lb 0,62	
QC PP G 3/8 FEMALE	12,5	MPa 35	mm 38	66	-	27	G3/8	kg 0,29	NC12G030000
		Psi 5075	inch 1,50	2,60	-	1,06		lb 0,64	
QC PP G 1/2 FEMALE	12,5	MPa 35	mm 38	68,5	-	27	G1/2	kg 0,31	NC12G030001
		Psi 5075	inch 1,50	2,70	-	1,06		lb 0,68	
QC PP G 3/4 FEMALE	19	MPa 25	mm 47	85,6	-	37	G3/4	kg 0,59	NC12G040000
		Psi 3625	inch 1,85	3,37	-	1,46		lb 1,30	
QC PP G 3/4 FEMALE	25	MPa 25	mm 55	102	-	41	G3/4	kg 0,94	NC12G050000
		Psi 3625	inch 2,17	4,02	-	1,61		lb 2,07	
QC PP G 1 FEMALE	25	MPa 25	mm 55	104	-	41	G1	kg 0,92	NC12G050001
		Psi 3625	inch 2,17	4,09	-	1,61		lb 2,03	



Male type see ISO 7241/A

**QUICK COUPLINGS PUSH-PULL (male / female)**  
**FEMALE THREAD ASME B1.20.1 NPT**  
 Interchangeable according to ISO 7241-A

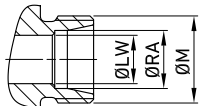
TYPE	DN	PN		ØA		C	Ød	ch	ØM	WEIGHT		CS Carbon Steel
		MPa		mm						kg	lb	ITEM CODE
QC PP N 1/2 FEMALE	12,5	35		38		72	-	27	N1/2	0,19		NC12N030001
		5075		1,50		2,83	-	1,06		0,42		



Male type see ISO 7241/A

**QUICK COUPLINGS PUSH-PULL (male / female)**  
**FEMALE THREAD ISO 11926-1 (SAE J1926-1) ORB**  
 Interchangeable according to ISO 7241-A

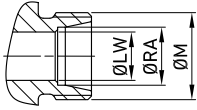
TYPE	DN	PN		ØA		C	Ød	ch	ØM	WEIGHT		CS Carbon Steel
		MPa		mm						kg	lb	ITEM CODE
QC PP SAE8 FEMALE	12,5	35		38		68,5	-	27	SAE8	0,298		NC12S030001
		5075		1,50		2,70	-	1,06		0,66		



### QUICK COUPLINGS PUSH-PULL (male / female) MALE THREAD METRIC ISO 8434-1-S (DIN 2353) Interchangeable according to ISO 7241-A

**CS**  
Carbon  
Steel

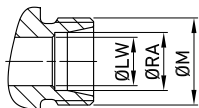
TYPE	DN	PN	ØA	C	Ød	ch	ØM	ØLW	ØRA	WEIGHT	ITEM CODE	
QC PP 8S MALE	10	MPa 42	mm -	52	17,3	24	M16X1,5	5	8	kg 0,12	NC11H020000	
		Psi 6090	inch -	2,05	0,68	0,94		0,20	0,31	lb 0,26		
QC PP 8S FEMALE		MPa 42	mm 32	63	-	24	M16X1,5	5	8	kg 0,321	NC12H020000	
		Psi 6090	inch 1,26	2,48	-	0,94		0,20	0,31	lb 0,71		
QC PP 10S MALE		MPa 42	mm -	52	17,3	24	M18X1,5	10	7	kg 0,13	NC11H020001	
		Psi 6090	inch -	2,05	0,68	0,94		0,39	0,28	lb 0,29		
QC PP 10S FEMALE		MPa 42	mm 32	63	-	24	M18X1,5	10	7	kg 0,324	NC12H020001	
		Psi 6090	inch 1,26	2,48	-	0,94		0,39	0,28	lb 0,71		
QC PP 12S MALE		12,5	MPa 35	mm -	57	20,5	27	M20X1,5	8	12	kg 0,135	NC11H030000
			Psi 5075	inch -	2,24	0,81	1,06		0,31	0,47	lb 0,30	
QC PP 12S FEMALE	MPa 35		mm 38	64,5	-	27	M20X1,5	8	12	kg 0,28	NC12H030000	
	Psi 5075		inch 1,50	2,54	-	1,06		0,31	0,47	lb 0,62		
QC PP 14S MALE	MPa 35		mm -	59	20,5	27	M22X1,5	8	14	kg 0,45	NC11H030001	
	Psi 5075		inch -	2,32	0,81	1,06		0,31	0,55	lb 0,99		
QC PP 14S FEMALE	MPa 35		mm 38	66,5	-	27	M22X1,5	8	14	kg 0,281	NC12H030001	
	Psi 5075		inch 1,50	2,62	-	1,06		0,31	0,55	lb 0,62		
QC PP 16S MALE	MPa 35		mm -	59	20,5	27	M24X1,5	12	16	kg 0,157	NC11H030002	
	Psi 5075		inch -	2,32	0,81	1,06		0,47	0,63	lb 0,35		
QC PP 16S FEMALE	MPa 35	mm 38	66,5	-	27	M24X1,5	12	16	kg 0,284	NC12H030002		
	Psi 5075	inch 1,50	2,62	-	1,06		0,47	0,63	lb 0,63			
QC PP 16S MALE	20	MPa 25	mm -	64	29	34	M24X1,5	12	16	kg 0,251	NC11H040000	
		Psi 3625	inch -	2,52	1,14	1,34		0,47	0,63	lb 0,55		
QC PP 16S FEMALE		MPa 25	mm 47	79,5	-	34	M24X1,5	12	16	kg 0,51	NC12H040000	
		Psi 3625	inch 1,85	3,13	-	1,34		0,47	0,63	lb 1,12		
QC PP 20S MALE		MPa 25	mm -	66	29	34	M30X2	16	20	kg 0,26	NC11H040001	
		Psi 3625	inch -	2,60	1,14	1,34		0,63	0,79	lb 0,57		
QC PP 20S FEMALE		MPa 25	mm 47	81,5	-	34	M30X2	16	20	kg 0,53	NC12H040001	
		Psi 3625	inch 1,85	3,21	-	1,34		0,63	0,79	lb 1,17		
QC PP 20S MALE		25	MPa 25	mm -	88,5	34,34	41	M30X2	12	16	kg 0,4	NC11H050000
			Psi 3625	inch -	3,48	1,35	1,61		0,47	0,63	lb 0,88	
QC PP 20S FEMALE	MPa 25		mm 55	104	-	41	M30X2	12	16	kg 0,11	NC12H050000	
	Psi 3625		inch 2,17	4,09	-	1,61		0,47	0,63	lb 0,24		
QC PP 25S MALE	MPa 25		mm -	90,5	34,34	41	M36X2	16	20	kg 0,56	NC11H050001	
	Psi 3625		inch -	3,56	1,35	1,61		0,63	0,79	lb 1,23		
QC PP 25S FEMALE	MPa 25		mm 55	106	-	41	M36X2	16	20	kg 0,123	NC12H050001	
	Psi 3625		inch 2,17	4,17	-	1,61		0,63	0,79	lb 0,27		
QC PP 30S MALE	MPa 25		mm -	92,5	34,34	46	M42X2	12	16	kg 0,6	NC11H050002	
	Psi 3625		inch -	3,64	1,35	1,81		0,47	0,63	lb 1,32		
QC PP 30S FEMALE	MPa 25	mm 55	108	-	46	M42X2	12	16	kg 0,25	NC12H050002		
	Psi 3625	inch 2,17	4,25	-	1,81		0,47	0,63	lb 0,55			



**QUICK COUPLINGS PUSH-PULL (male / female)**  
**MALE THREAD METRIC ISO 8434-1-L (DIN 2353)**  
 Interchangeable according to ISO 7241-A

CS  
Carbon  
Steel

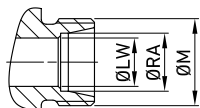
TYPE	DN	PN	ØA	C	Ød	ch	ØM	ØLW	ØRA	WEIGHT	ITEM CODE	
QC PP 6L MALE	10	MPa 42	mm -	50	17,3	24	M12X1,5	4	6	kg	0,07	NC11L020002
		Psi 6090	inch -	1,97	0,68	0,94				lb	0,15	
QC PP 6L FEMALE		MPa 42	mm 32	61	-	24	M12X1,5	4	6	kg	0,25	NC12L020002
		Psi 6090	inch 1,26	2,40	-	0,94				lb	0,55	
QC PP 8L MALE		MPa 42	mm -	50	17,3	24	M14X1,5	6	8	kg	0,13	NC11L020000
		Psi 6090	inch -	1,97	0,68	0,94				lb	0,29	
QC PP 8L FEMALE		MPa 42	mm 32	61	-	24	M14X1,5	6	8	kg	0,253	NC12L020000
		Psi 6090	inch 1,26	2,40	-	0,94				lb	0,56	
QC PP 10L MALE		MPa 42	mm -	51	17,3	24	M16X1,5	8	10	kg	0,15	NC11L020001
		Psi 6090	inch -	2,01	0,68	0,94				lb	0,33	
QC PP 10L FEMALE		MPa 42	mm 32	62	-	24	M16X1,5	8	10	kg	0,255	NC12L020001
		Psi 6090	inch 1,26	2,44	-	0,94				lb	0,56	
QC PP 10L MALE	MPa 35	mm -	56	20,5	27	M16X1,5	8	10	kg	0,16	NC11L030000	
	Psi 5075	inch -	2,20	0,81	1,06				lb	0,35		
QC PP 10L FEMALE	MPa 35	mm 38	63,5	-	27	M16X1,5	8	10	kg	0,24	NC12L030000	
	Psi 5075	inch 1,50	2,50	-	1,06				lb	0,53		
QC PP 12L MALE	MPa 35	mm -	56	20,5	27	M18X1,5	10	12	kg	0,169	NC11L030001	
	Psi 5075	inch -	2,20	0,81	1,06				lb	0,37		
QC PP 12L FEMALE	MPa 35	mm 38	63,5	-	27	M18X1,5	10	12	kg	0,254	NC12L030001	
	Psi 5075	inch 1,50	2,50	-	1,06				lb	0,56		
QC PP 15L MALE	MPa 35	mm -	57	20,5	27	M22X1,5	12	15	kg	0,17	NC11L030002	
	Psi 5075	inch -	2,24	0,81	1,06				lb	0,37		
QC PP 15L FEMALE	MPa 35	mm 38	64,5	-	27	M22X1,5	12	15	kg	0,26	NC12L030002	
	Psi 5075	inch 1,50	2,54	-	1,06				lb	0,57		
QC PP 18L MALE	MPa 35	mm -	57	20,5	27	M26X1,5	15	18	kg	0,179	NC11L030003	
	Psi 5075	inch -	2,24	0,81	1,06				lb	0,39		
QC PP 18L FEMALE	MPa 35	mm 38	64,5	-	27	M26X1,5	15	18	kg	0,263	NC12L030003	
	Psi 5075	inch 1,50	2,54	-	1,06				lb	0,58		
QC PP 18L MALE	MPa 25	mm -	62	29,1	34	M26X1,5	15	18	kg	0,25	NC11L040000	
	Psi 3625	inch -	2,44	1,15	1,34				lb	0,55		
QC PP 18L FEMALE	MPa 25	mm 47	77,5	-	34	M26X1,5	15	18	kg	0,52	NC12L040000	
	Psi 3625	inch 1,85	3,05	-	1,34				lb	1,15		
QC PP 22L MALE	MPa 25	mm -	64	29,1	34	M30X2	19	22	kg	0,27	NC11L040001	
	Psi 3625	inch -	2,52	1,15	1,34				lb	0,60		
QC PP 22L FEMALE	MPa 25	mm 47	79,5	-	34	M30X2	19	22	kg	0,55	NC12L040001	
	Psi 3625	inch 1,85	3,13	-	1,34				lb	1,21		
QC PP 22L MALE	MPa 25	mm -	86,5	34,34	41	M30X2	19	22	kg	0,4	NC11L050000	
	Psi 3625	inch -	3,41	1,35	1,61				lb	0,88		
QC PP 22L FEMALE	MPa 25	mm 55	102	-	41	M30X2	19	22	kg	0,89	NC12L050000	
	Psi 3625	inch 2,17	4,02	-	1,61				lb	1,96		
QC PP 28L MALE	MPa 25	mm -	86,5	34,34	41	M36X2	24	28	kg	0,45	NC11L050001	
	Psi 3625	inch -	3,41	1,35	1,61				lb	0,99		
QC PP 28L FEMALE	MPa 25	mm 55	102	-	41	M36X2	24	28	kg	0,895	NC12L050001	
	Psi 3625	inch 2,17	4,02	-	1,61				lb	1,97		
QC PP 35L MALE	MPa 25	mm -	88,5	34,34	46	M45X2	30	35	kg	0,5	NC11L050002	
	Psi 3625	inch -	3,48	1,35	1,81				lb	1,10		
QC PP 35L FEMALE	MPa 25	mm 55	104	-	46	M45X2	30	35	kg	0,9	NC12L050002	
	Psi 3625	inch 2,17	4,09	-	1,81				lb	1,98		



### QUICK COUPLINGS PUSH-PULL (male / female) MALE THREAD METRIC ISO 8434-1-S (DIN 2353) BULKHEAD Interchangeable according to ISO 7241-A

**CS**  
Carbon  
Steel

TYPE	DN	PN	ØA	C	Ød	ch	ØM	ØLW	ØRA	WEIGHT	ITEM CODE
QC PP 10S BK MALE	12,5	MPa 35	mm -	72	20,5	27	M18X1,5	7	10	kg 0,169	NC11030000
		Psi 5075	inch -	2,83	0,81	1,06		0,28	0,39	lb 0,37	
QC PP 10S BK FEMALE		MPa 35	mm 38	79,5	-	27	M18X1,5	7	10	kg 0,3	NC121030000
		Psi 5075	inch 1,50	3,13	-	1,06		0,28	0,39	lb 0,66	
QC PP 12S BK MALE		MPa 35	mm -	72	20,5	27	M20X1,5	8	12	kg 0,16	NC11030001
			Psi 5075	inch -	2,83	0,81		1,06	0,31	0,47	
QC PP 12S BK FEMALE		MPa 35	mm 38	79,5	-	27	M20X1,5	8	12	kg 0,32	NC121030001
			Psi 5075	inch 1,50	3,13	-		1,06	0,31	0,47	
QC PP 16S BK MALE		MPa 35	mm -	74	20,5	27	M24X1,5	12	16	kg 0,172	NC11030002
			Psi 5075	inch -	2,91	0,81		1,06	0,47	0,63	
QC PP 16S BK FEMALE		MPa 35	mm 38	81,5	-	27	M24X1,5	12	16	kg 0,33	NC121030002
			Psi 5075	inch 1,50	3,21	-		1,06	0,47	0,63	
QC PP 16S BK MALE	20	MPa 25	mm -	79	29,1	34	M24X1,5	12	16	kg 0,27	NC11040000
		Psi 3625	inch -	3,11	1,15	1,34		0,47	0,63	lb 0,60	
QC PP 16S BK FEMALE		MPa 25	mm 47	94,5	-	34	M24X1,5	12	16	kg 0,57	NC121040000
		Psi 3625	inch 1,85	3,72	-	1,34		0,47	0,63	lb 1,26	
QC PP 20S BK MALE		MPa 25	mm -	77	29,1	34	M30X2	16	20	kg 0,29	NC11040001
			Psi 3625	inch -	3,03	1,15		1,34	0,63	0,79	
QC PP 20S BK FEMALE		MPa 25	mm 47	92,5	-	34	M30X2	16	20	kg 0,6	NC121040001
			Psi 3625	inch 1,85	3,64	-		1,34	0,63	0,79	
QC PP 20S BK MALE		MPa 25	mm -	110,5	34,34	41	M30X2	16	20	kg 0,52	NC11050000
			Psi 3625	inch -	4,35	1,35		1,61	0,63	0,79	
QC PP 20S BK FEMALE		MPa 25	mm 55	126	-	41	M30X2	16	20	kg 1,023	NC121050000
			Psi 3625	inch 2,17	4,96	-		1,61	0,63	0,79	
QC PP 25S BK MALE	MPa 25	mm -	110,5	34,34	41	M36X2	20	25	kg 0,55	NC11050001	
		Psi 3625	inch -	4,35	1,35		1,61	0,79	0,98		lb 1,21
QC PP 25S BK FEMALE	MPa 25	mm 55	126	-	41	M36X2	20	25	kg 1,12	NC121050001	
		Psi 3625	inch 2,17	4,96	-		1,61	0,79	0,98		lb 2,47
QC PP 30S BK MALE	MPa 25	mm -	112,5	34,34	41	M42X2	25	30	kg 0,62	NC11050002	
		Psi 3625	inch -	4,43	1,35		1,61	0,98	1,18		lb 1,37
QC PP 30S BK FEMALE	MPa 25	mm 55	128	-	41	M42X2	25	30	kg 1,22	NC121050002	
		Psi 3625	inch 2,17	5,04	-		1,61	0,98	1,18		lb 2,69



**QUICK COUPLINGS PUSH-PULL (male / female)**  
**MALE THREAD METRIC ISO 8434-1-L (DIN 2353) BULKHEAD**  
 Interchangeable according to ISO 7241-A

CS  
Carbon  
Steel

TYPE	DN	PN	ØA	C	Ød	ch	ØM	ØLW	ØRA	WEIGHT	ITEM CODE	
QC PP 8L BK MALE	10	MPa 42	mm -	65	17,3	24	M14X1,5	6	8	kg 0,12	NC11M020000	
		Psi 6090	inch -	2,56	0,68	0,94		0,24	0,31	lb 0,26		
QC PP 8L BK FEMALE		MPa 42	mm 32	76	-	24	M14X1,5	6	8	kg 0,321	NC12M020000	
		Psi 6090	inch 1,26	2,99	-	0,94		0,24	0,31	lb 0,71		
QC PP 10L BK MALE		MPa 42	mm -	66	17,3	24	M16X1,5	8	10	kg 0,145	NC11M020001	
		Psi 6090	inch -	2,60	0,68	0,94		0,31	0,39	lb 0,32		
QC PP 10L BK FEMALE		MPa 42	mm 32	77	-	24	M16X1,5	8	10	kg 0,33	NC12M020001	
		Psi 6090	inch 1,26	3,03	-	0,94		0,31	0,39	lb 0,73		
QC PP 10L BK MALE		12,5	MPa 35	mm -	71	20,5	27	M16X1,5	8	10	kg 0,149	NC11M030000
			Psi 5075	inch -	2,80	0,81	1,06		0,31	0,39	lb 0,33	
QC PP 10L BK FEMALE	MPa 35		mm 38	78,5	-	27	M16X1,5	8	10	kg 0,3	NC12M030000	
	Psi 5075		inch 1,50	3,09	-	1,06		0,31	0,39	lb 0,66		
QC PP 12L BK MALE	MPa 35		mm -	72	20,5	27	M18X1,5	10	12	kg 0,15	NC11M030001	
	Psi 5075		inch -	2,83	0,81	1,06		0,39	0,47	lb 0,33		
QC PP 12L BK FEMALE	MPa 35		mm 38	79,5	-	27	M18X1,5	10	12	kg 0,3	NC12M030001	
	Psi 5075		inch 1,50	3,13	-	1,06		0,39	0,47	lb 0,66		
QC PP 15L BK MALE	MPa 35		mm -	72	20,5	27	M22X1,5	12	15	kg 0,16	NC11M030002	
	Psi 5075		inch -	2,83	0,81	1,06		0,47	0,59	lb 0,35		
QC PP 15L BK FEMALE	MPa 35	mm 38	79,5	-	27	M22X1,5	12	15	kg 0,31	NC12M030002		
	Psi 5075	inch 1,50	3,13	-	1,06		0,47	0,59	lb 0,68			
QC PP 18L BK MALE	MPa 35	mm -	72	20,5	27	M26X1,5	15	18	kg 0,175	NC11M030003		
	Psi 5075	inch -	2,83	0,81	1,06		0,59	0,71	lb 0,39			
QC PP 18L BK FEMALE	MPa 35	mm 38	79,5	-	27	M26X1,5	15	18	kg 0,33	NC12M030003		
	Psi 5075	inch 1,50	3,13	-	1,06		0,59	0,71	lb 0,73			
QC PP 15L BK MALE	20	MPa 25	mm -	77	29,1	34	M22X1,5	12	15	kg 0,252	NC11M040000	
		Psi 3625	inch -	3,03	1,15	1,34		0,47	0,59	lb 0,56		
QC PP 15L BK FEMALE		MPa 25	mm 47	92,5	-	34	M22X1,5	12	15	kg 0,55	NC12M040000	
		Psi 3625	inch 1,85	3,64	-	1,34		0,47	0,59	lb 1,21		
QC PP 18L BK MALE		MPa 25	mm -	77	29,1	34	M26X1,5	15	18	kg 0,246	NC11M040002	
		Psi 3625	inch -	3,03	1,15	1,34		0,59	0,71	lb 0,54		
QC PP 18L BK FEMALE		MPa 25	mm 47	92,5	-	34	M26X1,5	15	18	kg 0,56	NC12M040002	
		Psi 3625	inch 1,85	3,64	-	1,34		0,59	0,71	lb 1,23		
QC PP 22L BK MALE		MPa 25	mm -	84	29,1	34	M30X2	19	22	kg 0,298	NC11M040001	
		Psi 3625	inch -	3,31	1,15	1,34		0,75	0,87	lb 0,66		
QC PP 22L BK FEMALE	MPa 25	mm 47	99,5	-	34	M30X2	19	22	kg 0,6	NC12M040001		
	Psi 3625	inch 1,85	3,92	-	1,34		0,75	0,87	lb 1,32			
QC PP 22L BK MALE	25	MPa 25	mm -	106,5	34,34	41	M30X2	19	22	kg 0,55	NC11M050000	
		Psi 3625	inch -	4,19	1,35	1,61		0,75	0,87	lb 1,21		
QC PP 22L BK FEMALE		MPa 25	mm 55	122	-	41	M30X2	19	22	kg 0,98	NC12M050000	
		Psi 3625	inch 2,17	4,80	-	1,61		0,75	0,87	lb 2,16		
QC PP 28L BK MALE		MPa 25	mm -	106,5	34,34	41	M36X2	24	28	kg 0,569	NC11M050001	
		Psi 3625	inch -	4,19	1,35	1,61		0,94	1,10	lb 1,25		
QC PP 28L BK FEMALE		MPa 25	mm 55	122	-	41	M36X2	24	28	kg 1	NC12M050001	
		Psi 3625	inch 2,17	4,80	-	1,61		0,94	1,10	lb 2,20		



# PUSH-PULL N

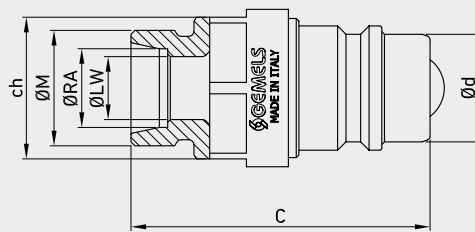
ISO 7241/A PUSH-PULL BALL  
ISO 5675 N

Edition. 21.0

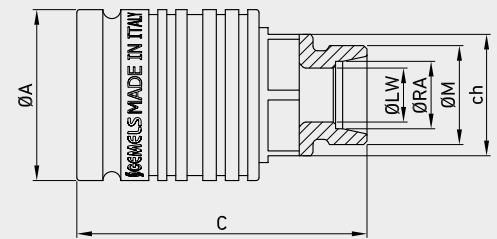
## CS Carbon Steel

- Type: Quick Couplings
- Models: ISO 7241/A  
PUSH-PULL BALL ISO 5675 N
- Sizes: from DN13
- Pressure: up to PN350
- Treatment: Galvanized

Male



Female



Available also  
in patented version:  
ball valve with integrated  
quick coupling.





**CODE DESCRIPTION STRUCTURE**

QC	1/2	F/M	DN12,5	1	B
----	-----	-----	--------	---	---

**Type of coupling**

ISO 7241 A PP N

**Ends**

ISO 1179-1	ASME B1.20.1	ISO 11926-1	ISO 8434-1-S	ISO 8434-1-L	ISO 8434-1-S	ISO 8434-1-L
BSPP	NPT	(SAE J1926-1)	(DIN 2353)	(DIN 2353)	(DIN 2353)	(DIN 2353)
		ORB			BULKHEAD	BULKHEAD
G3/8	N 1/2	SAE8	12S	10L	10S	10L
G1/2			14S	12L	12S	12L
			16S	15L	16S	15L
				18L		18L

MALE

FEMALE

**DN/ISO**

12,5

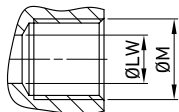
**Body Material**

● 1 = 1,0737

**Seal material**

B = NBR E = FKM\*

\*On request  
• Plugs

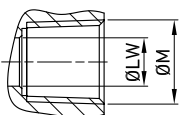


Male type see ISO 5675

**QUICK COUPLINGS PUSH-PULL BALL (male / female)  
FEMALE THREAD ISO 1179-1 BSPP  
Interchangeable according to ISO 7241-A**

TYPE	DN	PN	$\varnothing A$	C	$\varnothing d$	ch	$\varnothing M$	WEIGHT	ITEM CODE
QC PP N G 3/8 FEMALE	12,5	MPa 35	mm 38	66	-	27	G3/8	kg 0,29	NC32G030000
		Psi 5075	inch 1,50	2,60	-	1,06		lb 0,64	
QC PP N G 1/2 FEMALE		MPa 35	mm 38	68,5	-	27	G1/2	kg 0,31	NC32G030001
		Psi 5075	inch 1,50	2,70	-	1,06		lb 0,68	

CS  
Carbon  
Steel

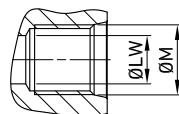


Male type see ISO 5675

**QUICK COUPLINGS PUSH-PULL BALL (male / female)  
FEMALE THREAD ASME B1.20.1 NPT  
Interchangeable according to ISO 7241-A**

TYPE	DN	PN	$\varnothing A$	C	$\varnothing d$	ch	$\varnothing M$	WEIGHT	ITEM CODE
QC PP N N 1/2 FEMALE	12,5	MPa 35	mm 38	72	-	27	N1/2	kg 0,19	NC32N030000
		Psi 5075	inch 1,50	2,83	-	1,06		lb 0,42	

CS  
Carbon  
Steel

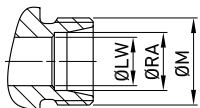


Male type see ISO 5675

**QUICK COUPLINGS PUSH-PULL BALL (male / female)  
FEMALE THREAD ISO 11926-1 (SAE J1926-1) ORB  
Interchangeable according to ISO 7241-A**

TYPE	DN	PN	$\varnothing A$	C	$\varnothing d$	ch	$\varnothing M$	WEIGHT	ITEM CODE
QC PP N SAE8 FEMALE	12,5	MPa 35	mm 38	72	-	27	3/4-16 UNF	kg 0,19	NC32S030000
		Psi 5075	inch 1,50	2,83	-	1,06		lb 0,42	

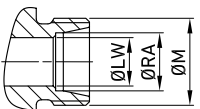
CS  
Carbon  
Steel



**QUICK COUPLINGS PUSH-PULL BALL (male / female)**  
**MALE THREAD METRIC ISO 8434-1-S (DIN 2353)**  
 Interchangeable according to ISO 7241-A

CS  
Carbon  
Steel

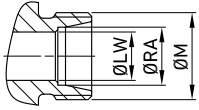
TYPE	DN	PN	ØA	C	Ød	ch	ØM	ØLW	ØRA	WEIGHT	ITEM CODE
QC PP N 12S MALE	12,5	MPa 35	mm -	56	20,5	27	M20X1,5	8	12	kg 0,135	NC31H030000
		Psi 5075	inch -	2,20	0,81	1,06		0,31	0,47	lb 0,30	
QC PP N 12S FEMALE		MPa 35	mm 38	64,5	-	27	M20X1,5	8	12	kg 0,28	NC32H030000
		Psi 5075	inch 1,50	2,54	-	1,06		0,31	0,47	lb 0,62	
QC PP N 14S MALE		MPa 35	mm -	59	20,5	27	M22X1,5	8	14	kg 0,45	NC31H030001
		Psi 5075	inch -	2,32	0,81	1,06		0,31	0,55	lb 0,99	
QC PP N 14S FEMALE		MPa 35	mm 38	66,5	-	27	M22X1,5	8	14	kg 0,281	NC32H030001
		Psi 5075	inch 1,50	2,62	-	1,06		0,31	0,55	lb 0,62	
QC PP N 16S MALE		MPa 35	mm -	59	20,5	27	M24X1,5	12	16	kg 0,157	NC31H030002
		Psi 5075	inch -	2,32	0,81	1,06		0,47	0,63	lb 0,35	
QC PP N 16S FEMALE		MPa 35	mm 38	66,5	-	27	M24X1,5	12	16	kg 0,284	NC32H030002
		Psi 5075	inch 1,50	2,62	-	1,06		0,47	0,63	lb 0,63	



**QUICK COUPLINGS PUSH-PULL BALL (male / female)**  
**MALE THREAD METRIC ISO 8434-1-L (DIN 2353)**  
 Interchangeable according to ISO 7241-A

CS  
Carbon  
Steel

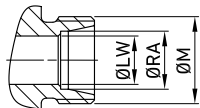
TYPE	DN	PN	ØA	C	Ød	ch	ØM	ØLW	ØRA	WEIGHT	ITEM CODE
QC PP N 10L MALE	12,5	MPa 35	mm -	56	20,5	27	M16X1,5	8	10	kg 0,16	NC31L030000
		Psi 5075	inch -	2,20	0,81	1,06		0,31	0,39	lb 0,35	
QC PP N 10L FEMALE		MPa 35	mm 38	63,5	-	27	M16X1,5	8	10	kg 0,24	NC32L030000
		Psi 5075	inch 1,50	2,50	-	1,06		0,31	0,39	lb 0,53	
QC PP N 12L MALE		MPa 35	mm -	56	20,5	27	M18X1,5	10	12	kg 0,169	NC31L030001
		Psi 5075	inch -	2,20	0,81	1,06		0,39	0,47	lb 0,37	
QC PP N 12L FEMALE		MPa 35	mm 38	63,5	-	27	M18X1,5	10	12	kg 0,254	NC32L030001
		Psi 5075	inch 1,50	2,50	-	1,06		0,39	0,47	lb 0,56	
QC PP N 15L MALE		MPa 35	mm -	57	2	27	M22X1,5	12	15	kg 0,17	NC31L030002
		Psi 5075	inch -	2,24	0,08	1,06		0,47	0,59	lb 0,37	
QC PP N 15L FEMALE		MPa 35	mm 38	64,5	-	27	M22X1,5	12	15	kg 0,26	NC32L030002
		Psi 5075	inch 1,50	2,54	-	1,06		0,47	0,59	lb 0,57	
QC PP N 18L MALE		MPa 35	mm -	57	20,5	27	M26X1,5	15	18	kg 0,179	NC31L030003
		Psi 5075	inch -	2,24	0,81	1,06		0,59	0,71	lb 0,39	
QC PP N 18L FEMALE		MPa 35	mm 38	64,5	-	27	M26X1,5	15	18	kg 0,263	NC32L030003
		Psi 5075	inch 1,50	2,54	-	1,06		0,59	0,71	lb 0,58	



**QUICK COUPLINGS PUSH-PULL BALL (male / female)**  
**MALE THREAD METRIC ISO 8434-1-S (DIN 2353) BULKHEAD**  
 Interchangeable according to ISO 7241-A

**CS**  
Carbon  
Steel

TYPE	DN	PN	ØA	C	Ød	ch	ØM	ØLW	ØRA	WEIGHT	ITEM CODE
QC PP N 10S BK MALE	12,5	MPa 35	mm -	72	20,5	27	M18X1,5	7	10	kg 0,169	NC311030000
		Psi 5075	inch -	2,83	0,81	1,06		0,28	0,39	lb 0,37	
QC PP N 10S BK FEMALE		MPa 35	mm 38	79,5	-	27	M18X1,5	7	10	kg 0,3	NC321030000
		Psi 5075	inch 1,50	3,13	-	1,06		0,28	0,39	lb 0,66	
QC PP N 12S BK MALE		MPa 35	mm -	72	20,5	27	M20X1,5	8	12	kg 0,16	NC311030001
		Psi 5075	inch -	2,83	0,81	1,06		0,31	0,47	lb 0,35	
QC PP N 12S BK FEMALE		MPa 35	mm 38	79,5	-	27	M20X1,5	8	12	kg 0,32	NC321030001
		Psi 5075	inch 1,50	3,13	-	1,06		0,31	0,47	lb 0,71	
QC PP N 16S BK MALE		MPa 35	mm -	74	20,5	27	M24X1,5	12	16	kg 0,172	NC311030002
		Psi 5075	inch -	2,91	0,81	1,06		0,47	0,63	lb 0,38	
QC PP N 16S BK FEMALE		MPa 25	mm 38	81,5	-	27	M24X1,5	12	16	kg 0,33	NC321030002
		Psi 3625	inch 1,50	3,21	-	1,06		0,47	0,63	lb 0,73	



**QUICK COUPLINGS PUSH-PULL BALL (male / female)**  
**MALE THREAD METRIC ISO 8434-1-L (DIN 2353) BULKHEAD**  
 Interchangeable according to ISO 7241-A

CS  
Carbon  
Steel

TYPE	DN	PN	ØA	C	Ød	ch	ØM	ØLW	ØRA	WEIGHT	ITEM CODE
QC PP N 10L BK MALE	12,5	MPa 35	mm 71	20,5	27	M16X1,5	8	10	kg 0,149	0,33	NC31M030000
		Psi 5075	inch 0,00	2,80	0,81						
QC PP N 10L BK FEMALE		MPa 35	mm 38	78,5	27	M16X1,5	8	10	kg 0,3	0,66	NC32M030000
		Psi 5075	inch 1,50	3,09	0,00						
QC PP N 12L BK MALE		MPa 35	mm 72	20,5	27	M18X1,5	10	12	kg 0,15	0,33	NC31M030001
		Psi 5075	inch 0,00	2,83	0,81						
QC PP N 12L BK FEMALE		MPa 35	mm 38	79,5	27	M18X1,5	10	12	kg 0,3	0,66	NC32M030001
		Psi 5075	inch 1,50	3,13	0,00						
QC PP N 15L BK MALE		MPa 35	mm 72	20,5	27	M22X1,5	12	15	kg 0,16	0,35	NC31M030002
		Psi 5075	inch 0,00	2,83	0,81						
QC PP N 15L BK FEMALE		MPa 35	mm 38	79,5	27	M22X1,5	12	15	kg 0,31	0,68	NC32M030002
		Psi 5075	inch 1,50	3,13	0,00						
QC PP N 18L BK MALE	MPa 35	mm 72	20,5	27	M26X1,5	15	18	kg 0,175	0,39	NC31M030003	
	Psi 5075	inch 0,00	2,83	0,81							1,06
QC PP N 18L BK FEMALE	MPa 35	mm 38	79,5	27	M26X1,5	15	18	kg 0,33	0,73	NC32M030003	
	Psi 5075	inch 1,50	3,13	0,00							1,06



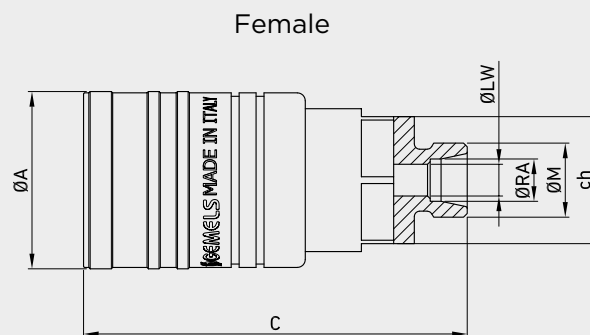
# PUSH-PULL NV

ISO 7241/A PUSH-PULL POPPET  
ISO 5675 NV

Edition. 21.1

## CS Carbon Steel

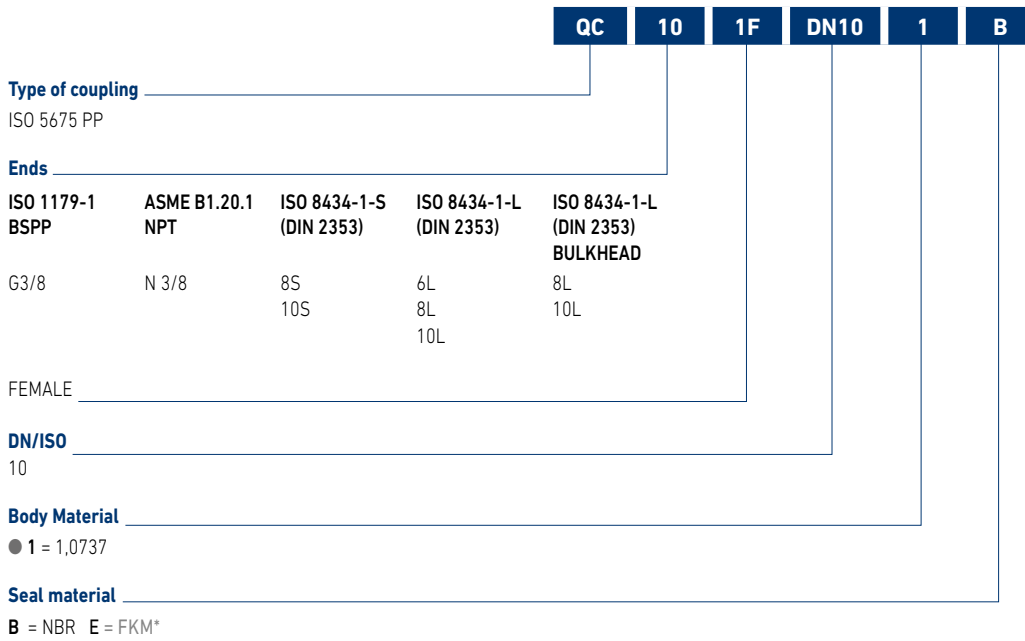
- Type: Quick Couplings
- Models: ISO 7241/A  
PUSH-PULL POPPET  
ISO 5675 NV
- Sizes: from DN10-DN13
- Pressure: up to PN420
- Treatment: Galvanized



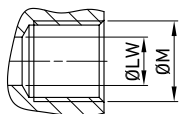
Available also  
in patented version:  
ball valve with integrated  
quick coupling.



**CODE DESCRIPTION STRUCTURE**



\*On request  
• Plugs

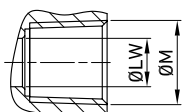


Male type see ISO 5675

**QUICK COUPLINGS PUSH-PULL ISO 5675 (female)  
FEMALE THREAD ISO 1179-1 BSPP**

TYPE	DN	PN		ØA	C	Ød	ch	ØM	WEIGHT		ITEM CODE	
		MPa	42						kg	0,265		
QC PP NV G 3/8 FEMALE	10	MPa	42	mm	33,5	68	-	24	G3/8	kg	0,265	NC34G020000
		Psi	6090	inch	1,32	2,68	-	0,94		lb	0,58	

CS  
Carbon  
Steel

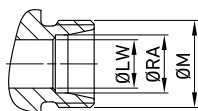


Male type see ISO 5675

**QUICK COUPLINGS PUSH-PULL ISO 5675 (female)  
FEMALE THREAD ASME B1.20.1 NPT**

TYPE	DN	PN		ØA	C	Ød	ch	ØM	WEIGHT		ITEM CODE	
		MPa	42						kg	0,266		
QC PP NV N 3/8 FEMALE	10	MPa	42	mm	33,5	68	-	24	N3/8	kg	0,266	NC34N020001
		Psi	6090	inch	1,32	2,68	-	0,94		lb	0,59	

CS  
Carbon  
Steel

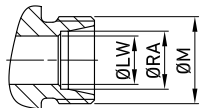


**QUICK COUPLINGS PUSH-PULL ISO 5675 (female)  
MALE THREAD METRIC ISO 8434-1-S (DIN 2353)**

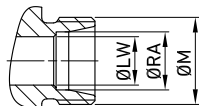
TYPE	DN	PN		ØA	C	Ød	ch	ØM	ØLW	ØRA	WEIGHT		ITEM CODE	
		MPa	42								kg	0,345		
QC PP NV 8S FEMALE	10	MPa	42	mm	33,5	74,5	-	24	M16X1,5	5	8	kg	0,345	NC34H020000
		Psi	6090	inch	1,32	2,93	-	0,94		0,20	0,31	lb	0,76	
QC PP NV10S FEMALE	10	MPa	42	mm	33,5	74,5	-	24	M18X1,5	7	10	kg	0,346	NC34H020001
		Psi	6090	inch	1,32	2,93	-	0,94		0,28	0,39	lb	0,76	

CS  
Carbon  
Steel




**QUICK COUPLINGS PUSH-PULL ISO 5675 (FEMALE)  
MALE THREAD METRIC ISO 8434-1-L (DIN 2353)**

													CS Carbon Steel
TYPE	DN	PN	ØA	C	Ød	ch	ØM	ØLW	ØRA	WEIGHT		ITEM CODE	
QC PP NV 6L FEMALE	10	MPa 42	mm 33,5	72,5	-	24	M12X1,5	4	6	kg	0,339	NC34L020000	
		Psi 6090	inch 1,32	2,85	-	0,94		0,16	0,24	lb	0,75		
QC PP NV 8L FEMALE		MPa 42	mm 33,5	72,5	-	24	M14X1,5	6	8	kg	0,339	NC34L020001	
		Psi 6090	inch 1,32	2,85	-	0,94		0,24	0,31	lb	0,75		
QC PP NV 10L FEMALE		MPa 42	mm 33,5	73,5	-	24	M16X1,5	8	10	kg	0,34	NC34L020002	
		Psi 6090	inch 1,32	2,89	-	0,94		0,31	0,39	lb	0,75		


**QUICK COUPLINGS PUSH-PULL ISO 5675 (FEMALE)  
MALE THREAD METRIC ISO 8434-1-L (DIN 2353) BULKHEAD**

													CS Carbon Steel
TYPE	DN	PN	ØA	C	Ød	ch	ØM	ØLW	ØRA	WEIGHT		ITEM CODE	
QC PP NV 8L BK FEMALE	10	MPa 42	mm 33,5	87,5	-	24	M14X1,5	6	8	kg	0,353	NC34M020000	
		Psi 6090	inch 1,32	3,44	-	0,94		0,24	0,31	lb	0,78		
QC PP NV 10L BK FEMALE		MPa 42	mm 33,5	88,5	-	24	M16X1,5	8	10	kg	0,356	NC34M020001	
		Psi 6090	inch 1,32	3,48	-	0,94		0,31	0,39	lb	0,78		



# VGN

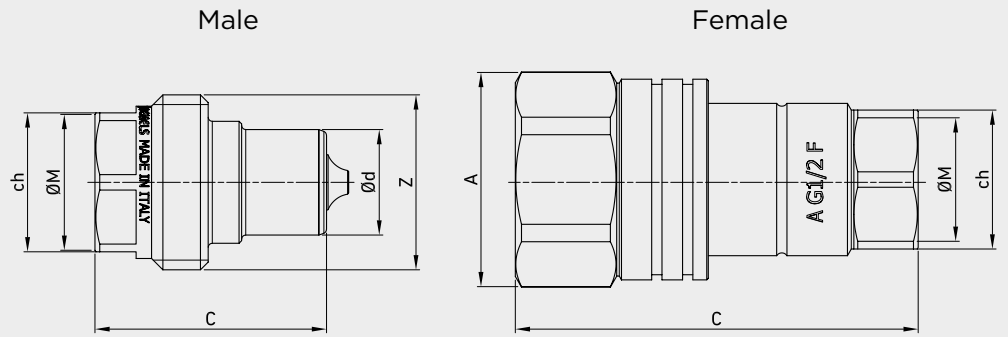
QUICK COUPLINGS VGN ISO 5675 - ISO 7241/A

Available other different threads on request

Edition. 21.1

## CS Carbon Steel

- Type: Quick Couplings
- Models: VGN ISO 5675 ISO 7241/A
- Sizes: DN12,5
- Pressure: up to PN350
- Treatment: Galvanized





**CODE DESCRIPTION STRUCTURE**

<b>QC</b>	<b>1/2</b>	<b>1M/F</b>	<b>DN12,5</b>	<b>1</b>	<b>B</b>
-----------	------------	-------------	---------------	----------	----------

**Type of coupling**

VGN ISO 5675  
 dual function sleeve, available also coupled  
 with male serie NV ISO 5675

**Ends**

ISO 1179-1	ASME B1.20.1	ISO 11926-1 (SAE
BSPP	NPT	J1926-1) ORB

G 1/2	N 1/2	SAE8
-------	-------	------

MALE  
 FEMALE

**DN/ISO**

12,5

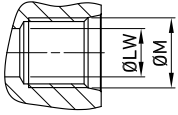
**Body Material**

● 1 = 1,0737

**Seal material**

● B = NBR E = FKM\*

\*On request  
 • Other sizes on request

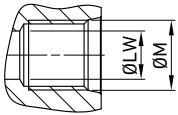


**QUICK COUPLINGS VGN (male / female)  
FEMALE THREAD ISO 1179-1 BSPP WITH POPPET**

**CS**  
Carbon Steel

TYPE	DN	PN	$\varnothing A$	C	$\varnothing d$	ch	$\varnothing M$	Z	WEIGHT	ITEM CODE
QC VGN G 1/2 MALE	12,5	MPa 35	mm -	45	20,5	27	G1/2	M34	kg 0,0924	NC39G030000
		Psi 5075	inch -	1,77	0,81	1,06			lb 0,20	
QC VGN G 1/2 FEMALE		MPa 35	mm 42	78	-	27	G1/2	M34	kg 0,227	NC40G030000
		Psi 5075	inch 1,65	3,07	-	1,06			lb 0,50	

\*dual function ring, available also coupled with male serie NV ISO 5675

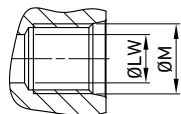


**QUICK COUPLINGS VGN (male / female)  
FEMALE THREAD ASME B1.20.1 NPT WITH POPPET**

**CS**  
Carbon Steel

TYPE	DN	PN	$\varnothing A$	C	$\varnothing d$	ch	$\varnothing M$	Z	WEIGHT	ITEM CODE
QC VGN N 1/2 MALE	12,5	MPa 35	mm -	45	20,5	27	G1/2	M34	kg 0,0924	NC39N030000
		Psi 5075	inch -	1,77	0,81	1,06			lb 0,20	
QC VGN N 1/2 FEMALE		MPa 35	mm 42	78	-	27	G1/2	M34	kg 0,227	NC40N030000
		Psi 5075	inch 1,65	3,07	-	1,06			lb 0,50	

\*dual function ring, available also coupled with male serie NV ISO 5675



## QUICK COUPLINGS VGN (male / female) FEMALE THREAD ISO 11926-1 (SAE J1926-1) ORB WITH POPPET

												CS Carbon Steel	
TYPE	DN	PN		ØA	C	Ød	ch	ØM	Z	WEIGHT		ITEM CODE	
QC VGN SAE 8 MALE	12,5	MPa	35	mm	-	45	20,5	G1/2	M34	kg	0,0924	NC39S030000	
		Psi	5075	inch	-	1,77	0,81			1,06	lb		0,20
QC VGN SAE 8 FEMALE		MPa	35	mm	42	78	-	27	G1/2	M34	kg	0,227	NC40S030000
		Psi	5075	inch	1,65	3,07	-	1,06			lb	0,50	

\*dual function ring, available also coupled with male serie NV ISO 5675



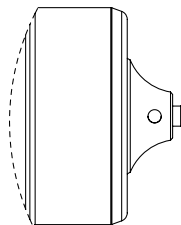
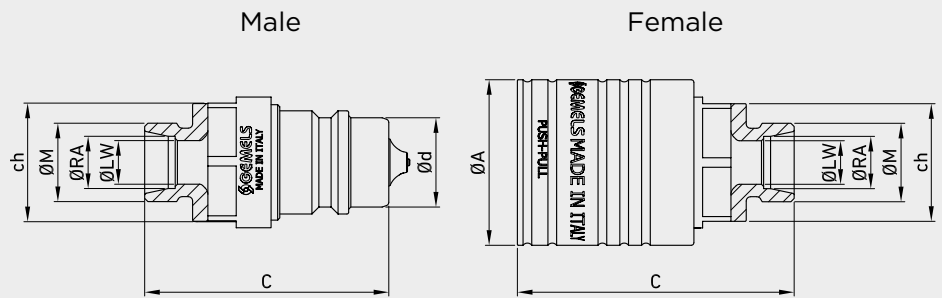
# PUSH-PULL DV

ISO 7241/A - WITH POPPET  
WITH DECOMPRESSION VALVE

Edition. 21.1

## CS Carbon Steel

- Type: Quick Couplings
- Models: ISO 7241/A
- Sizes: from DN13 up to DN20
- Pressure: up to PN350
- Treatment: Galvanized



Special pin to connect parts under residual pressure.  
The pin could be mounted on both sides, male or female.  
The opposite side has to be a ISO A standard poppet.

During connection the residual pressure  
will release by the smaller holes.



**CODE DESCRIPTION STRUCTURE**

							QC	1/2	1M/F	DN12,5	1	B																																																								
<b>Type of coupling</b>							DV																																																													
<b>Ends</b>							<table border="1"> <thead> <tr> <th>ISO 1179-1</th> <th>ASME B1.20.1</th> <th>ISO 11926-1</th> <th>ISO 8434-1-S</th> <th>ISO 8434-1-L</th> <th>ISO 8434-1-S</th> <th>ISO 8434-1-L</th> </tr> <tr> <th>BSPP</th> <th>NPT</th> <th>(SAE J1926-1)</th> <th>(DIN 2353)</th> <th>(DIN 2353)</th> <th>(DIN 2353)</th> <th>(DIN 2353)</th> </tr> <tr> <td colspan="2"></td> <th>ORB</th> <td colspan="2"></td> <th>BULKHEAD</th> <th>BULKHEAD</th> </tr> </thead> <tbody> <tr> <td>G 1/2</td> <td>N 1/2</td> <td>SAE 8</td> <td>12S</td> <td>10L</td> <td>10S</td> <td>10L</td> </tr> <tr> <td>G 3/4</td> <td>N 3/4</td> <td>SAE12</td> <td>16S</td> <td>12L</td> <td>12S</td> <td>12L</td> </tr> <tr> <td colspan="3"></td> <td>20S</td> <td>15L</td> <td>16S</td> <td>15L</td> </tr> <tr> <td colspan="3"></td> <td colspan="2"></td> <td>18L</td> <td>18L</td> </tr> <tr> <td colspan="3"></td> <td colspan="2"></td> <td>22L</td> <td>22L</td> </tr> </tbody> </table>						ISO 1179-1	ASME B1.20.1	ISO 11926-1	ISO 8434-1-S	ISO 8434-1-L	ISO 8434-1-S	ISO 8434-1-L	BSPP	NPT	(SAE J1926-1)	(DIN 2353)	(DIN 2353)	(DIN 2353)	(DIN 2353)			ORB			BULKHEAD	BULKHEAD	G 1/2	N 1/2	SAE 8	12S	10L	10S	10L	G 3/4	N 3/4	SAE12	16S	12L	12S	12L				20S	15L	16S	15L						18L	18L						22L	22L
ISO 1179-1	ASME B1.20.1	ISO 11926-1	ISO 8434-1-S	ISO 8434-1-L	ISO 8434-1-S	ISO 8434-1-L																																																														
BSPP	NPT	(SAE J1926-1)	(DIN 2353)	(DIN 2353)	(DIN 2353)	(DIN 2353)																																																														
		ORB			BULKHEAD	BULKHEAD																																																														
G 1/2	N 1/2	SAE 8	12S	10L	10S	10L																																																														
G 3/4	N 3/4	SAE12	16S	12L	12S	12L																																																														
			20S	15L	16S	15L																																																														
					18L	18L																																																														
					22L	22L																																																														
<b>MALE</b>							MALE																																																													
<b>FEMALE</b>							FEMALE																																																													
<b>DN/ISO</b>							12,5 20																																																													
<b>Body Material</b>							● 1 = 1,0737																																																													
<b>Seal material</b>							B = NBR E = FKM*																																																													

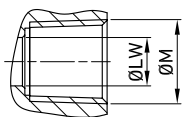
\*On request

- Plugs
- Caps



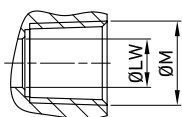
Available colours:

- Blue
- Yellow
- Red
- Green



**QUICK COUPLINGS ISO 7241/A**  
**WITH POPPET WITH DECOMPRESSION VALVE (male / female)**  
**FEMALE THREAD ISO 1179-1 BSPP**  
 Interchangeable according to ISO 7241-A

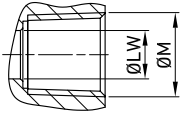
										CS Carbon Steel			
TYPE	DN	PN		ØA	C	Ød	ch	ØM	WEIGHT		ITEM CODE		
QC DV G 1/2 MALE	12,5	MPa	35	mm	-	44	20,5	G1/2	kg	0,0924	NC23G030000		
		Psi	5075	inch	-	1,73	0,81		1,06	lb		0,20	
QC DV G 1/2 FEMALE		MPa	35	mm	38,25	66	-	27	G1/2	kg		0,227	NC24G030000
		Psi	5075	inch	1,51	2,60	-	1,06		lb		0,50	
QC DV G 3/4 MALE	20	MPa	25	mm	-	55,5	29,1	G3/4	kg	0,2	NC23G040000		
		Psi	3625	inch	-	2,19	1,15		1,34	lb		0,44	
QC DV G 3/4 FEMALE		MPa	25	mm	48	83	-	34	G3/4	kg		0,49	NC24G040000
		Psi	3625	inch	1,89	3,27	-	1,34		lb		1,08	



**QUICK COUPLINGS ISO 7241/A WITH POPPET**  
**WITH DECOMPRESSION VALVE (male / female)**  
**FEMALE THREAD ASME B1.20.1 NPT**  
 Interchangeable according to ISO 7241-A

										CS Carbon Steel			
TYPE	DN	PN		ØA	C	Ød	ch	ØM	WEIGHT		ITEM CODE		
QC DV N 1/2 MALE	12,5	MPa	35	mm	-	44	20,5	N1/2	kg	0,0924	NC23N030000		
		Psi	5075	inch	-	1,73	0,81		1,06	lb		0,20	
QC DV N 1/2 FEMALE		MPa	35	mm	38,25	66	-	27	N1/2	kg		0,227	NC24N030000
		Psi	5075	inch	1,51	2,60	-	1,06		lb		0,50	
QC DV N 3/4 MALE	20	MPa	25	mm	-	55,5	29,1	N3/4	kg	0,2	NC23N040000		
		Psi	3625	inch	-	2,19	1,15		1,34	lb		0,44	
QC DV N 3/4 FEMALE		MPa	25	mm	48	83	-	34	N3/4	kg		0,49	NC24N040000
		Psi	3625	inch	1,89	3,27	-	1,34		lb		1,08	

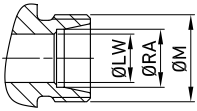




**QUICK COUPLINGS ISO 7241/A**  
**WITH POPPET WITH DECOMPRESSION VALVE (male / female)**  
**FEMALE THREAD ISO 11926-1 (SAE J1926-1) ORB**  
**Interchangeable according to ISO 7241-A**

Carbon Steel

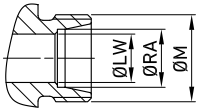
TYPE	DN	PN	ØA	C	Ød	ch	ØM	WEIGHT	ITEM CODE	
QC DV SAE8 MALE	12,5	MPa 35	mm -	44	20,5	27	SAE8	kg 0,0924	NC23S030000	
		Psi 5075	inch -	1,73	0,81	1,06		lb 0,20		
QC DV SAE8 FEMALE		MPa 35	mm 38,25	66	-	27	SAE8	kg 0,227		NC24S030000
		Psi 5075	inch 1,51	2,60	-	1,06		lb 0,50		
QC DV SAE12 MALE	20	MPa 25	mm -	55,5	29,1	34	SAE12	kg 0,2	NC23S040000	
		Psi 3625	inch -	2,19	1,15	1,34		lb 0,44		
QC DV SAE12 FEMALE		MPa 25	mm 48	83	-	34	SAE12	kg 0,49		NC24S040000
		Psi 3625	inch 1,89	3,27	-	1,34		lb 1,08		



**QUICK COUPLINGS PUSH-PULL  
 WITH DECOMPRESSION VALVE (male / female)  
 MALE THREAD METRIC ISO 8434-1-S (DIN 2353)  
 Interchangeable according to ISO 7241-A**

Carbon Steel

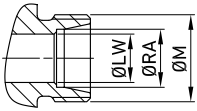
TYPE	DN	PN	ØA	C	Ød	ch	ØM	ØLW	ØRA	WEIGHT	ITEM CODE
QC DV 12S MALE	12,5	MPa 35	mm -	57	20,5	27	M20X1,5	8	12	kg 0,135	NC23H030000
		Psi 5075	inch 0-00	2,24	0,81	1,06		0,31	0,47	lb 0,30	
QC DV 12S FEMALE		MPa 35	mm 38	64,5	-	27	M20X1,5	8	12	kg 0,28	NC24H030000
		Psi 5075	inch 1,50	2,54	-	1,06		0,31	0,47	lb 0,62	
QC DV 16S MALE		MPa 35	mm -	59	20,5	27	M24X1,5	12	16	kg 0,157	NC23H030001
		Psi 5075	inch -	2,32	0,81	1,06		0,47	0,63	lb 0,35	
QC DV 16S FEMALE		MPa 35	mm 38	66,5	-	27	M24X1,5	12	16	kg 0,284	NC24H030001
		Psi 5075	inch 1,50	2,62	-	1,06		0,47	0,63	lb 0,63	
QC DV 16S MALE	20	MPa 25	mm -	64	29	34	M24X1,5	12	16	kg 0,251	NC23H040000
		Psi 3625	inch -	2,52	1,14	1,34		0,47	0,63	lb 0,55	
QC DV 16S FEMALE		MPa 25	mm 47	79,5	-	34	M24X1,5	12	16	kg 0,51	NC24H040000
		Psi 3625	inch 1,85	3,13	-	1,34		0,47	0,63	lb 1,12	
QC DV 20S MALE		MPa 25	mm -	66	29	34	M30X2	16	20	kg 0,26	NC23H040001
		Psi 3625	inch -	2,60	1,14	1,34		0,63	0,79	lb 0,57	
QC DV 20S FEMALE		MPa 25	mm 47	81,5	-	34	M30X2	16	20	kg 0,53	NC24H040001
		Psi 3625	inch 1,85	3,21	-	1,34		0,63	0,79	lb 1,17	



**QUICK COUPLINGS PUSH-PULL  
WITH DECOMPRESSION VALVE (male / female)  
MALE THREAD METRIC ISO 8434-1-L (DIN 2353)  
Interchangeable according to ISO 7241-A**

**CS**  
Carbon  
Steel

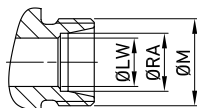
TYPE	DN	PN	ØA	C	Ød	ch	ØM	ØLW	ØRA	WEIGHT	ITEM CODE
QC DV 10L MALE	12,5	MPa 35	mm -	56	20,5	27	M16X1,5	8	10	kg 0,16	NC23L030000
		Psi 5075	inch -	2,20	0,81	1,06		0,31	0,39	lb 0,35	
QC DV 10L FEMALE		MPa 35	mm 38	63,5	-	27	M16X1,5	8	10	kg 0,24	NC24L030000
		Psi 5075	inch 1,50	2,50	-	1,06		0,31	0,39	lb 0,53	
QC DV 12L MALE		MPa 35	mm -	56	20,5	27	M18X1,5	10	12	kg 0,169	NC23L030001
		Psi 5075	inch -	2,20	0,81	1,06		0,39	0,47	lb 0,37	
QC DV 12L FEMALE		MPa 35	mm 38	63,5	-	27	M18X1,5	10	12	kg 0,254	NC24L030001
		Psi 5075	inch 1,50	2,50	-	1,06		0,39	0,47	lb 0,56	
QC DV 15L MALE		MPa 35	mm -	57	20,5	27	M22X1,5	12	15	kg 0,17	NC23L030002
		Psi 5075	inch -	2,24	0,81	1,06		0,47	0,59	lb 0,37	
QC DV 15L FEMALE		MPa 35	mm 38	64,5	-	27	M22X1,5	12	15	kg 0,26	NC24L030002
		Psi 5075	inch 1,50	2,54	-	1,06		0,47	0,59	lb 0,57	
QC DV 18L MALE	MPa 35	mm -	57	20,5	27	M26X1,5	15	18	kg 0,179	NC23L030003	
	Psi 5075	inch -	2,24	0,81	1,06		0,59	0,71	lb 0,39		
QC DV 18L FEMALE	MPa 35	mm 38	64,5	-	27	M26X1,5	15	18	kg 0,263	NC24L030003	
	Psi 5075	inch 1,50	2,54	-	1,06		0,59	0,71	lb 0,58		
QC DV 18L MALE	20	MPa 25	mm -	62	29,1	34	M26X1,5	15	18	kg 0,25	NC23L040000
		Psi 3625	inch -	2,44	1,15	1,34		0,59	0,71	lb 0,55	
QC DV 18L FEMALE		MPa 25	mm 47	77,5	-	34	M26X1,5	15	18	kg 0,52	NC24L040000
		Psi 3625	inch 1,85	3,05	-	1,34		0,59	0,71	lb 1,15	
QC DV 22L MALE		MPa 25	mm -	64	29,1	34	M30X2	19	22	kg 0,27	NC23L040001
		Psi 3625	inch -	2,52	1,15	1,34		0,75	0,87	lb 0,60	
QC DV 22L FEMALE		MPa 25	mm 47	79,5	-	34	M30X2	19	22	kg 0,55	NC24L040001
		Psi 3625	inch 1,85	3,13	-	1,34		0,75	0,87	lb 1,21	



**QUICK COUPLINGS PUSH-PULL  
 WITH DECOMPRESSION VALVE (male / female)  
 MALE THREAD METRIC ISO 8434-1-S (DIN 2353) BULKHEAD**  
 Interchangeable according to ISO 7241-A

Carbon  
 Steel

TYPE	DN	PN	ØA	C	Ød	ch	ØM	ØLW	ØRA	WEIGHT	ITEM CODE
QC DV 10S BK MALE	12,5	MPa 35	mm -	72	20,5	27	M18X1,5	7	10	kg 0,169	NC23I030000
		Psi 5075	inch -	2,83	0,81	1,06		0,28	0,39	lb 0,37	
QC DV 10S BK FEMALE		MPa 35	mm 38	79,5	-	27	M18X1,5	7	10	kg 0,3	NC24I030000
		Psi 5075	inch 1,50	3,13	-	1,06		0,28	0,39	lb 0,66	
QC DV 12S BK MALE		MPa 35	mm -	72	20,5	27	M20X1,5	8	12	kg 0,16	NC23I030001
		Psi 5075	inch -	2,83	0,81	1,06		0,31	0,47	lb 0,35	
QC DV 12S BK FEMALE	MPa 35	mm 38	79,5	-	27	M20X1,5	8	12	kg 0,32	NC24I030001	
	Psi 5075	inch 1,50	3,13	-	1,06		0,31	0,47	lb 0,71		
QC DV 16S BK MALE	20	MPa 25	mm -	79	29,1	34	M24X1,5	12	16	kg 0,27	NC23I040000
		Psi 3625	inch -	3,11	1,15	1,34		0,47	0,63	lb 0,60	
QC DV 16S BK FEMALE		MPa 25	mm 47	94,5	-	34	M24X1,5	12	16	kg 0,57	NC24I040000
		Psi 3625	inch 1,85	3,72	-	1,34		0,47	0,63	lb 1,26	



**QUICK COUPLINGS PUSH-PULL  
WITH DECOMPRESSION VALVE (male / female)  
MALE THREAD METRIC ISO 8434-1-L (DIN 2353) BULKHEAD**  
Interchangeable according to ISO 7241-A

CS  
Carbon  
Steel

TYPE	DN	PN	ØA	C	Ød	ch	ØM	ØLW	ØRA	WEIGHT	ITEM CODE	
QC DV 10L BK MALE	12,5	MPa 35	mm	71	20,5	27	M16X1,5	8	10	kg 0,149	NC23M030000	
		Psi 5075	inch	0,00	2,80	0,81		1,06	0,31	0,39		lb 0,33
QC DV 10L BK FEMALE		MPa 35	mm	38	78,5		27	M16X1,5	8	10	kg 0,3	NC24M030000
		Psi 5075	inch	1,50	3,09	0,00	1,06		0,31	0,39	lb 0,66	
QC DV 12L BK MALE		MPa 35	mm		72	20,5	27	M18X1,5	10	12	kg 0,15	NC23M030001
		Psi 5075	inch	0,00	2,83	0,81	1,06		0,39	0,47	lb 0,33	
QC DV 12L BK FEMALE		MPa 35	mm	38	79,5		27	M18X1,5	10	12	kg 0,3	NC24M030001
		Psi 5075	inch	1,50	3,13	0,00	1,06		0,39	0,47	lb 0,66	
QC DV 15L BK MALE		MPa 35	mm		72	20,5	27	M22X1,5	12	15	kg 0,16	NC23M030002
		Psi 5075	inch	0,00	2,83	0,81	1,06		0,47	0,59	lb 0,35	
QC DV 15L BK FEMALE		MPa 35	mm	38	79,5		27	M22X1,5	12	15	kg 0,31	NC24M030002
		Psi 5075	inch	1,50	3,13	0,00	1,06		0,47	0,59	lb 0,68	
QC DV 18L BK MALE	MPa 35	mm		72	20,5	27	M26X1,5	15	18	kg 0,175	NC23M030003	
	Psi 5075	inch	0,00	2,83	0,81	1,06		0,59	0,71	lb 0,39		
QC DV 18L BK FEMALE	MPa 35	mm	38	79,5		27	M26X1,5	15	18	kg 0,33	NC24M030003	
	Psi 5075	inch	1,50	3,13	0,00	1,06		0,59	0,71	lb 0,73		
QC DV 15L BK MALE	20	MPa 25	mm	77	29,1	34	M22X1,5	12	15	kg 0,252	NC23M040000	
		Psi 3625	inch	0,00	3,03	1,15		1,34	0,47	0,59		lb 0,56
QC DV 15L BK FEMALE		MPa 25	mm	47	92,5		34	M22X1,5	12	15	kg 0,55	NC24M040000
		Psi 3625	inch	1,85	3,64	0,00	1,34		0,47	0,59	lb 1,21	
QC DV 22L BK MALE		MPa 25	mm		84	29,1	34	M30X2	19	22	kg 0,298	NC23M040001
		Psi 3625	inch	0,00	3,31	1,15	1,34		0,75	0,87	lb 0,66	
QC DV 22L BK FEMALE		MPa 25	mm	47	99,5		34	M30X2	19	22	kg 0,6	NC24M040001
		Psi 3625	inch	1,85	3,92	0,00	1,34		0,75	0,87	lb 1,32	



# ISO B

## ISO 7241/B - WITH POPPET

Edition. 21.3

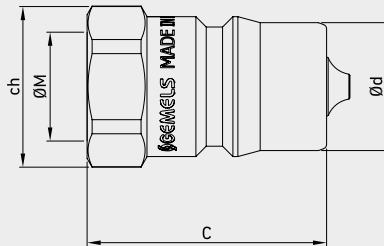
### CS Carbon Steel

- Type: Quick Couplings
- Models: ISO 7241/B
- Sizes: from DN6 to DN50
- Pressure: up to PN420
- Treatment: Galvanized

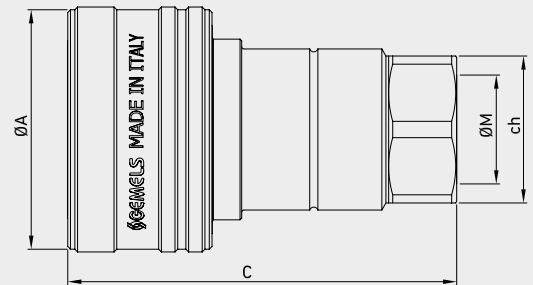
### SS Stainless Steel

- Type: Quick Couplings
- Models: ISO 7241/B
- Sizes: from DN6 to DN50
- Pressure: up to PN300

Male



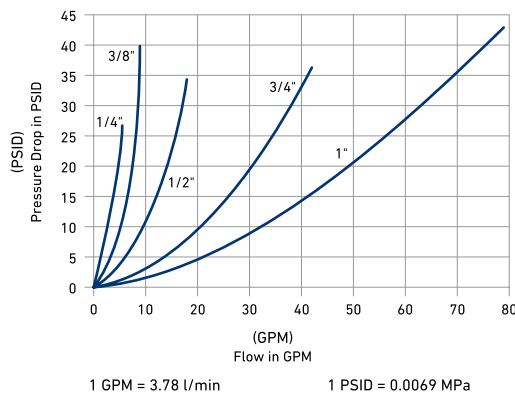
Female



Available also in patented version: ball valve with integrated quick coupling.

### Performance

(1/4", 3/8", 1/2", 3/4", 1")  
 Series (1/4", 3/8", 1/2", 3/4", 1")  
 200SUS (Test Fluid: Oil-200SUS)





**CODE DESCRIPTION STRUCTURE**

		QC	G1/2	M/F	DN12,5	1	B																																																																
<b>Type of coupling</b>		ISO 7241/B																																																																					
<b>Ends</b>		<table border="1"> <thead> <tr> <th>ISO 1179-1</th> <th>ASME B1.20.1</th> <th>ISO 11926-1</th> <th></th> <th></th> <th></th> <th></th> </tr> <tr> <th>BSPP</th> <th>NPT</th> <th>(SAE J1926-1)</th> <th>ORB</th> <th></th> <th></th> <th></th> </tr> </thead> <tbody> <tr> <td>G 1/8</td> <td>N 1/8</td> <td>SAE4</td> <td></td> <td rowspan="3">Carbon steel</td> <td rowspan="3">Stainless steel</td> <td></td> </tr> <tr> <td>G 1/4</td> <td>N 1/4</td> <td>SAE6</td> <td></td> </tr> <tr> <td>G 3/8</td> <td>N 3/8</td> <td>SAE8</td> <td></td> </tr> <tr> <td>G 1/2</td> <td>N 1/2</td> <td>SAE12</td> <td></td> <td></td> <td></td> <td></td> </tr> <tr> <td>G 3/4</td> <td>N 3/4</td> <td>SAE16</td> <td></td> <td></td> <td></td> <td></td> </tr> <tr> <td>G 1</td> <td>N 1</td> <td>SAE20</td> <td></td> <td></td> <td></td> <td></td> </tr> <tr> <td>G 1 1/2</td> <td>N 1 1/2</td> <td>SAE24</td> <td></td> <td></td> <td></td> <td></td> </tr> <tr> <td>G 2</td> <td>N 2</td> <td>SAE32</td> <td></td> <td></td> <td></td> <td></td> </tr> </tbody> </table>						ISO 1179-1	ASME B1.20.1	ISO 11926-1					BSPP	NPT	(SAE J1926-1)	ORB				G 1/8	N 1/8	SAE4		Carbon steel	Stainless steel		G 1/4	N 1/4	SAE6		G 3/8	N 3/8	SAE8		G 1/2	N 1/2	SAE12					G 3/4	N 3/4	SAE16					G 1	N 1	SAE20					G 1 1/2	N 1 1/2	SAE24					G 2	N 2	SAE32				
ISO 1179-1	ASME B1.20.1	ISO 11926-1																																																																					
BSPP	NPT	(SAE J1926-1)	ORB																																																																				
G 1/8	N 1/8	SAE4		Carbon steel	Stainless steel																																																																		
G 1/4	N 1/4	SAE6																																																																					
G 3/8	N 3/8	SAE8																																																																					
G 1/2	N 1/2	SAE12																																																																					
G 3/4	N 3/4	SAE16																																																																					
G 1	N 1	SAE20																																																																					
G 1 1/2	N 1 1/2	SAE24																																																																					
G 2	N 2	SAE32																																																																					
MALE																																																																							
FEMALE																																																																							
<b>DN/ISO</b>		<table border="1"> <tbody> <tr> <td>5</td> <td></td> <td></td> <td></td> <td></td> <td></td> <td></td> </tr> <tr> <td>6,3</td> <td></td> <td></td> <td></td> <td></td> <td></td> <td></td> </tr> <tr> <td>10</td> <td></td> <td></td> <td></td> <td>Carbon steel</td> <td>Stainless steel</td> <td></td> </tr> <tr> <td>12,5</td> <td></td> <td></td> <td></td> <td></td> <td></td> <td></td> </tr> <tr> <td>20</td> <td></td> <td></td> <td></td> <td></td> <td></td> <td></td> </tr> <tr> <td>25</td> <td></td> <td></td> <td></td> <td></td> <td></td> <td></td> </tr> <tr> <td>40</td> <td></td> <td></td> <td></td> <td></td> <td></td> <td></td> </tr> <tr> <td>50</td> <td></td> <td></td> <td></td> <td></td> <td></td> <td></td> </tr> </tbody> </table>						5							6,3							10				Carbon steel	Stainless steel		12,5							20							25							40							50														
5																																																																							
6,3																																																																							
10				Carbon steel	Stainless steel																																																																		
12,5																																																																							
20																																																																							
25																																																																							
40																																																																							
50																																																																							
<b>Body Material</b>		<ul style="list-style-type: none"> <li>● 1 = 1,0737</li> <li>● 4 = 1,4404</li> </ul>																																																																					
<b>Seal material</b>		<ul style="list-style-type: none"> <li>● B = NBR E = FKM*</li> <li>● E = FKM</li> </ul>																																																																					

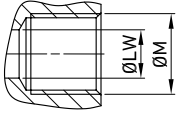
\*On request

- Plugs
- Caps



Available colours:

- Blue
- Yellow
- Red
- Green

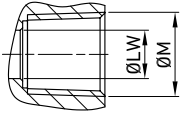


**QUICK COUPLINGS ISO 7241/B (male / female)  
MALE THREAD METRIC ISO 1179-1 BSPP WITH POPPET**

										CS Carbon Steel											SS Stainless Steel
TYPE	DN	PN	ØA	C	Ød	ch	ØM	WEIGHT	ITEM CODE	TYPE	DN	PN	ØA	C	Ød	ch	ØM	WEIGHT	ITEM CODE		
QC ISO B G 1/4 MALE	6.3	MPa 42	mm -	35,5	14,2	19	G1/4	kg 0,036	NC03G010000	QC ISO B G 1/8 MALE	5	MPa 30	mm -	31	10,8	14	G1/8	kg 0,02	NC03G000001		
		Psi 6090	inch -	1,40	0,56	0,75		Psi 4350				inch -	1,22	0,43	0,55	lb 0,04					
QC ISO B G 1/4 FEMALE	6.3	MPa 42	mm	28,5	56	- 19	G1/4	kg 0,128	NC04G010000	QC ISO B G 1/8 FEMALE	5	MPa 30	mm	24	50	- 14	G1/8	kg 0,07	NC04G000001		
		Psi 6090	inch	1,12	2,20	- 0,75		Psi 4350				inch	0,94	1,97	- 0,55	lb 0,15					
QC ISO B G 3/8 MALE	10	MPa 42	mm -	39	19,05	22	G3/8	kg 0,07	NC03G020000	QC ISO B G 1/4 MALE	6.3	MPa 30	mm -	37	14,1	19	G1/4	kg 0,036	NC03G010001		
		Psi 6090	inch -	1,54	0,75	0,87		Psi 4350				inch -	1,46	0,56	0,75	lb 0,08					
QC ISO B G 3/8 FEMALE	10	MPa 42	mm	35	63	- 22	G3/8	kg 0,217	NC04G020000	QC ISO B G 1/4 FEMALE	6.3	MPa 30	mm	28	58,5	- 19	G1/4	kg 0,128	NC04G010001		
		Psi 6090	inch	1,38	2,48	- 0,87		Psi 4350				inch	1,10	2,30	- 0,75	lb 0,28					
QC ISO B G 1/2 MALE	12.5	MPa 42	mm -	44	23,5	27	G1/2	kg 0,11	NC03G030000	QC ISO B G 3/8 MALE	10	MPa 25	mm -	39	19	22	G3/8	kg 0,07	NC03G020001		
		Psi 6090	inch -	1,73	0,93	1,06		Psi 3625				inch -	1,54	0,75	0,87	lb 0,15					
QC ISO B G 1/2 FEMALE	12.5	MPa 42	mm	45	71,5	- 27	G1/2	kg 0,36	NC04G030000	QC ISO B G 3/8 FEMALE	10	MPa 25	mm	35	64	- 22	G3/8	kg 0,217	NC04G020001		
		Psi 6090	inch	1,77	2,81	- 1,06		Psi 3625				inch	1,38	2,52	- 0,87	lb 0,48					
QC ISO B G 3/4 MALE	20	MPa 25	mm -	55,5	31,45	36	G3/4	kg 0,22	NC03G040000	QC ISO B G 1/2 MALE	12.5	MPa 25	mm -	45,5	23,5	27	G1/2	kg 0,11	NC03G030001		
		Psi 3625	inch -	2,19	1,24	1,42		Psi 3625				inch -	1,79	0,93	1,06	lb 0,24					
QC ISO B G 3/4 FEMALE	20	MPa 25	mm	55	90	- 36	G3/4	kg 0,668	NC04G040000	QC ISO B G 1/2 FEMALE	12.5	MPa 25	mm	42	73	- 27	G1/2	kg 0,36	NC04G030001		
		Psi 3625	inch	2,17	3,54	- 1,42		Psi 3625				inch	1,65	2,87	- 1,06	lb 0,79					
QC ISO B G 1 MALE	25	MPa 25	mm -	66	37,8	41	G1	kg 0,3466	NC03G050000	QC ISO B G 3/4 MALE	20	MPa 25	mm -	54	31,4	36	G3/4	kg 0,22	NC03G040001		
		Psi 3625	inch -	2,60	1,49	1,61		Psi 3625				inch -	2,13	1,24	1,42	lb 0,49					
QC ISO B G 1 FEMALE	25	MPa 25	mm	63	106	- 41	G1	kg 1,005	NC04G050000	QC ISO B G 3/4 FEMALE	20	MPa 25	mm	52	87,5	- 36	G3/4	kg 0,668	NC04G040001		
		Psi 3625	inch	2,48	4,17	- 1,61		Psi 3625				inch	2,05	3,44	- 1,42	lb 1,47					
QC ISO B G 1 MALE	25	MPa 20	mm -	63	37,8	41	G1	kg 0,3466	NC03G050001	QC ISO B G 1 FEMALE	25	MPa 20	mm -	60	103	- 41	G1	kg 1,005	NC04G050001		
		Psi 2900	inch -	2,48	1,49	1,61		Psi 2900				inch	2,36	4,06	- 1,61	lb 2,22					
QC ISO B G 1 1/4 MALE	31.5	MPa 14	mm -	126	44,5	65	G1 1/4	kg -	NC03G06S000	QC ISO B G 1 1/4 FEMALE	31.5	MPa 14	mm -	74,8	126	- 65	G1 1/4	kg -	NC04G06S000		
		Psi 2030	inch -	4,96	1,75	2,56		Psi 2030				inch	2,94	4,96	- 2,56	lb -					
QC ISO B G 1 1/2 MALE	40	MPa 14	mm -	126	44,5	65	G1 1/2	kg -	NC03G07S000	QC ISO B G 1 1/2 FEMALE	40	MPa 14	mm -	74,8	126	- 65	G1 1/2	kg -	NC04G07S000		
		Psi 2030	inch -	4,96	1,75	2,56		Psi 2030				inch	2,94	4,96	- 2,56	lb -					
QC ISO B G 2 MALE	50	MPa 9	mm -	142	63,2	90	G2	kg -	NC03G08S000	QC ISO B G 2 FEMALE	50	MPa 9	mm -	105	142	- 90	G2	kg -	NC04G08S000		
		Psi 1305	inch -	5,59	2,49	3,54		Psi 1305				inch	4,13	5,59	- 3,54	lb -					

ABOVE 1": \*ON REQUEST

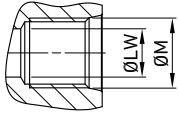




## QUICK COUPLINGS ISO 7241/B (male / female) FEMALE THREAD ASME B1.20.1 NPT WITH POPPET

										CS Carbon Steel											SS Stainless Steel
TYPE	DN	PN	ØA	C	Ød	ch	ØM	WEIGHT	ITEM CODE	TYPE	DN	PN	ØA	C	Ød	ch	ØM	WEIGHT	ITEM CODE		
QC ISO B N 1/4 MALE	6.3	MPa 42	mm - 35,5	14,2	19	N1/4		kg 0,036	NC03N010000	QC ISO B N 1/8 MALE	5	MPa 30	mm - 31	10,8	14	N1/8		kg 0,02	NC03N00S000		
		Psi 6090	inch - 1,40	0,56	0,75			Psi 4350				inch - 1,22	0,43	0,55	lb 0,04						
QC ISO B N 1/4 FEMALE	6.3	MPa 42	mm 28,5	56	- 19	N1/4		kg 0,128	NC04N010000	QC ISO B N 1/8 FEMALE	5	MPa 30	mm 24	50	- 14	N1/8		kg 0,07	NC04N00S000		
		Psi 6090	inch 1,12	2,20	- 0,75			Psi 4350				inch 0,94	1,97	- 0,55	lb 0,15						
QC ISO B N 3/8 MALE	10	MPa 42	mm - 39	19,05	22	N3/8		kg 0,07	NC03N020000	QC ISO B N 1/4 MALE	6.3	MPa 30	mm - 37	14,1	19	N1/4		kg 0,036	NC03N01S000		
		Psi 6090	inch - 1,54	0,75	0,87			Psi 4350				inch - 1,46	0,56	0,75	lb 0,08						
QC ISO B N 3/8 FEMALE	10	MPa 42	mm 35	63	- 22	N3/8		kg 0,217	NC04N020000	QC ISO B N 1/4 FEMALE	6.3	MPa 30	mm 28	58,5	- 19	N1/4		kg 0,128	NC04N01S000		
		Psi 6090	inch 1,38	2,48	- 0,87			Psi 4350				inch 1,10	2,30	- 0,75	lb 0,28						
QC ISO B N 1/2 MALE	12.5	MPa 42	mm - 44	23,5	27	N1/2		kg 0,11	NC03N030000	QC ISO B N 3/8 MALE	10	MPa 25	mm - 39	19	22	N3/8		kg 0,07	NC03N02S000		
		Psi 6090	inch - 1,73	0,93	1,06			Psi 3625				inch - 1,54	0,75	0,87	lb 0,15						
QC ISO B N 1/2 FEMALE	12.5	MPa 42	mm 45	71,5	- 27	N1/2		kg 0,36	NC04N030000	QC ISO B N 3/8 FEMALE	10	MPa 25	mm 35	64	- 22	N3/8		kg 0,217	NC04N02S000		
		Psi 6090	inch 1,77	2,81	- 1,06			Psi 3625				inch 1,38	2,52	- 0,87	lb 0,48						
QC ISO B N 3/4 MALE	20	MPa 25	mm - 55,5	31,45	36	N3/4		kg 0,22	NC03N040000	QC ISO B N 1/2 MALE	12.5	MPa 25	mm - 45,5	23,5	27	N1/2		kg 0,11	NC03N03S000		
		Psi 3625	inch - 2,19	1,24	1,42			Psi 3625				inch - 1,79	0,93	1,06	lb 0,24						
QC ISO B N 3/4 FEMALE	20	MPa 25	mm 55	90	- 36	N3/4		kg 0,668	NC04N040000	QC ISO B N 1/2 FEMALE	12.5	MPa 25	mm 42	72	- 27	N1/2		kg 0,36	NC04N03S000		
		Psi 3625	inch 2,17	3,54	- 1,42			Psi 3625				inch 1,65	2,83	- 1,06	lb 0,79						
QC ISO B N 1 MALE	25	MPa 25	mm - 66	37,8	41	N1		kg 0,3466	NC03N050000	QC ISO B N 3/4 MALE	20	MPa 25	mm - 54	31,4	36	N3/4		kg 0,22	NC03N04S000		
		Psi 3625	inch - 2,60	1,49	1,61			Psi 3625				inch - 2,13	1,24	1,42	lb 0,49						
QC ISO B N 1 FEMALE	25	MPa 25	mm 63	106	- 41	N1		kg 1,005	NC04N050000	QC ISO B N 3/4 FEMALE	20	MPa 25	mm 52	87,5	- 36	N3/4		kg 0,668	NC04N04S000		
		Psi 3625	inch 2,48	4,17	- 1,61			Psi 3625				inch 2,05	3,44	- 1,42	lb 1,47						
QC ISO B N 1 MALE	25	MPa 20	mm - 63	37,8	41	N1		kg 0,3466	NC03N05S000	QC ISO B N 1 FEMALE	25	Psi 2900	inch - 2,48	1,49	1,61	N1		lb 0,76	NC04N05S000		
		Psi 2900	inch 2,36	4,06	- 1,61			Psi 2900				inch 2,36	4,06	- 1,61	lb 2,22						
QC ISO B N 1 1/4 MALE	31.5	MPa 14	mm - 126	44,5	65	N1 1/4		kg -	NC03N06S000	QC ISO B N 1 1/4 FEMALE	31.5	Psi 2030	inch - 4,96	1,75	2,56	N1 1/4		lb -	NC04N06S000		
		Psi 2030	inch 74,8	126	- 65			Psi 2030				inch 2,94	4,96	- 2,56	lb -						
QC ISO B N 1 1/2 MALE	40	MPa 14	mm - 126	44,5	65	N1 1/2		kg -	NC03N07S000	QC ISO B N 1 1/2 FEMALE	40	Psi 2030	inch - 4,96	1,75	2,56	N1 1/2		lb -	NC04N07S000		
		Psi 2030	inch 74,8	126	- 65			Psi 2030				inch 2,94	4,96	- 2,56	lb -						
QC ISO B N 2 MALE	50	MPa 9	mm - 142	63,2	90	N2		kg -	NC03N08S000	QC ISO B N 2 FEMALE	50	Psi 1305	inch - 5,59	2,49	3,54	N2		lb -	NC04N08S000		
		Psi 1305	inch 105	142	- 90			Psi 1305				inch 4,13	5,59	- 3,54	lb -						

ABOVE 1": \*ON REQUEST



**QUICK COUPLINGS ISO 7241/B (male / female)  
FEMALE THREAD ISO 11926-1 (SAE J1926-1) ORB WITH POPPET**

										CS Carbon Steel											SS Stainless Steel
TYPE	DN	PN	ØA	C	Ød	ch	ØM	WEIGHT	ITEM CODE	TYPE	DN	PN	ØA	C	Ød	ch	ØM	WEIGHT	ITEM CODE		
QC ISO B SAE4 MALE	6.3	MPa 42	mm -	35,5	14,2	19	SAE4	kg 0,036	NC03S010000	QC ISO B SAE4 MALE	6.3	MPa 30	mm -	37	14,1	19	SAE4	kg 0,036	NC03S01S000		
		Psi 6090	inch -	1,40	0,56	0,75		Psi 4350				inch -	1,46	0,56	0,75	lb 0,08					
QC ISO B SAE4 FEMALE	6.3	MPa 42	mm	28,5	56	-	19	kg 0,128	NC04S010000	QC ISO B SAE4 FEMALE	6.3	MPa 30	mm	28	58,5	-	19	kg 0,128	NC04S01S000		
		Psi 6090	inch	1,12	2,20	-	0,75	Psi 4350				inch	1,10	2,30	-	0,75	lb 0,28				
QC ISO B SAE6 MALE	10	MPa 42	mm -	39	19,05	22	SAE6	kg 0,07	NC03S020000	QC ISO B SAE6 MALE	10	MPa 25	mm -	39	19	22	SAE6	kg 0,07	NC03S02S000		
		Psi 6090	inch -	1,54	0,75	0,87		Psi 3625				inch -	1,54	0,75	0,87	lb 0,15					
QC ISO B SAE6 FEMALE	10	MPa 42	mm	35	63	-	22	kg 0,217	NC04S020000	QC ISO B SAE6 FEMALE	10	MPa 25	mm	35	64	-	22	kg 0,217	NC04S02S000		
		Psi 6090	inch	1,38	2,48	-	0,87	Psi 3625				inch	1,38	2,52	-	0,87	lb 0,48				
QC ISO B SAE8 MALE	12.5	MPa 42	mm -	44	23,5	27	SAE8	kg 0,11	NC03S030000	QC ISO B SAE8 MALE	12.5	MPa 25	mm -	45,5	23,5	27	SAE8	kg 0,11	NC03S03S000		
		Psi 6090	inch -	1,73	0,93	1,06		Psi 3625				inch -	1,79	0,93	1,06	lb 0,24					
QC ISO B SAE8 FEMALE	12.5	MPa 42	mm	45	71,5	-	27	kg 0,36	NC04S030000	QC ISO B SAE8 FEMALE	12.5	MPa 25	mm	42	72	-	27	kg 0,36	NC04S03S000		
		Psi 6090	inch	1,77	2,81	-	1,06	Psi 3625				inch	1,65	2,83	-	1,06	lb 0,79				
QC ISO B SAE12 MALE	20	MPa 25	mm -	55,5	31,45	36	SAE12	kg 0,22	NC03S040000	QC ISO B SAE12 MALE	20	MPa 25	mm -	54	31,4	36	SAE12	kg 0,22	NC03S04S000		
		Psi 3625	inch -	2,19	1,24	1,42		Psi 3625				inch -	2,13	1,24	1,42	lb 0,49					
QC ISO B SAE12 FEMALE	20	MPa 25	mm	55	90	-	36	kg 0,668	NC04S040000	QC ISO B SAE12 FEMALE	20	MPa 25	mm	52	87,5	-	36	kg 0,668	NC04S04S000		
		Psi 3625	inch	2,17	3,54	-	1,42	Psi 3625				inch	2,05	3,44	-	1,42	lb 1,47				
QC ISO B SAE16 MALE	25	MPa 25	mm -	66	37,8	41	SAE16	kg 0,3466	NC03S050000	QC ISO B SAE16 MALE	25	MPa 20	mm -	63	37,8	41	SAE16	kg 0,3466	NC03S05S000		
		Psi 3625	inch -	2,60	1,49	1,61		Psi 2900				inch -	2,48	1,49	1,61	lb 0,76					
QC ISO B SAE16 FEMALE	25	MPa 25	mm	63	106	-	41	kg 1,005	NC04S050000	QC ISO B SAE16 FEMALE	25	MPa 20	mm	60	103	-	41	kg 1,005	NC04S05S000		
		Psi 3625	inch	2,48	4,17	-	1,61	Psi 2900				inch	2,36	4,06	-	1,61	lb 2,22				
QC ISO B SAE20 MALE	31.5	MPa 35	mm -	126	44,5	65	SAE20	kg -	NC03S06S000	QC ISO B SAE20 MALE	31.5	MPa 35	mm -	126	44,5	65	SAE20	kg -	NC03S06S000		
		Psi 5075	inch -	4,96	1,75	2,56		Psi 5075				inch -	4,96	1,75	2,56	lb -					
QC ISO B SAE20 FEMALE	31.5	MPa 35	mm	74,8	126	-	65	kg -	NC04S06S000	QC ISO B SAE20 FEMALE	31.5	MPa 35	mm	74,8	126	-	65	kg -	NC04S06S000		
		Psi 5075	inch	2,94	4,96	-	2,56	Psi 5075				inch	2,94	4,96	-	2,56	lb -				
QC ISO B SAE24 MALE	40	MPa 35	mm -	126	44,5	65	SAE24	kg -	NC03S07S000	QC ISO B SAE24 MALE	40	MPa 35	mm -	126	44,5	65	SAE24	kg -	NC03S07S000		
		Psi 5075	inch -	4,96	1,75	2,56		Psi 5075				inch -	4,96	1,75	2,56	lb -					
QC ISO B SAE24 FEMALE	40	MPa 35	mm	74,8	126	-	65	kg -	NC04S07S000	QC ISO B SAE24 FEMALE	40	MPa 35	mm	74,8	126	-	65	kg -	NC04S07S000		
		Psi 5075	inch	2,94	4,96	-	2,56	Psi 5075				inch	2,94	4,96	-	2,56	lb -				
QC ISO B SAE32 MALE	50	MPa 35	mm -	142	63,2	90	SAE32	kg -	NC03S08S000	QC ISO B SAE32 MALE	50	MPa 35	mm -	142	63,2	90	SAE32	kg -	NC03S08S000		
		Psi 5075	inch -	5,59	2,49	3,54		Psi 5075				inch -	5,59	2,49	3,54	lb -					
QC ISO B SAE32 FEMALE	50	MPa 35	mm	105	142	-	90	kg -	NC04S08S000	QC ISO B SAE32 FEMALE	50	MPa 35	mm	105	142	-	90	kg -	NC04S08S000		
		Psi 5075	inch	4,13	5,59	-	3,54	Psi 5075				inch	4,13	5,59	-	3,54	lb -				
QC ISO B G 2 MALE	50	MPa 9	mm -	142	63,2	90	G 2	kg -	NC03G08S000	QC ISO B G 2 MALE	50	MPa 9	mm -	142	63,2	90	G 2	kg -	NC03G08S000		
		Psi 1305	inch -	5,59	2,49	3,54		Psi 1305				inch -	5,59	2,49	3,54	lb -					
QC ISO B G 2 FEMALE	50	MPa 9	mm	105	142	-	90	kg -	NC04G08S000	QC ISO B G 2 FEMALE	50	MPa 9	mm	105	142	-	90	kg -	NC04G08S000		
		Psi 1305	inch	4,13	5,59	-	3,54	Psi 1305				inch	4,13	5,59	-	3,54	lb -				

ABOVE 1": \*ON REQUEST





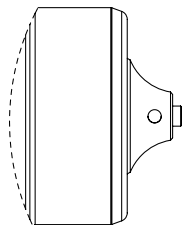
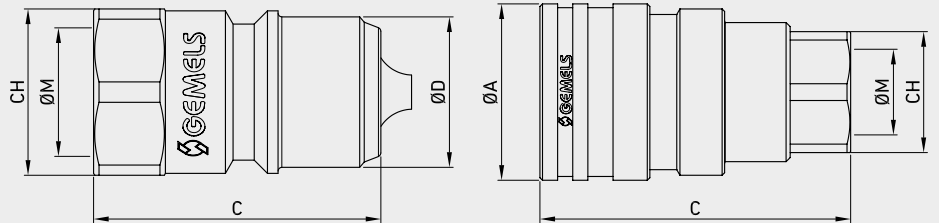
# NORDIC

NORDIC TYPE, POPPET WITH DV

Edition. 21.0

## CS Carbon Steel

- Carbon Steel
- Type: Quick Couplings
- Models: Nordic type, with DV
- Sizes: from DN6 to DN25
- Pressure: up to PN400



Special pin to connect parts under residual pressure.  
The pin could be mounted on both sides, male or female.  
The opposite side has to be a ISO A standard poppet.

During connection the residual pressure will release by the smaller holes.



### CODE DESCRIPTION STRUCTURE

**QC G1/2 M/F DN12,5 1 B**

**Type of coupling**

NORDIC TYPE, POPPET WITH DV

**Ends**

ISO 1179-1 BSPP	ANSI B.1.20.3	GAS POPPET WITH DECOMPRESSION VALVE	NPT POPPET WITH DECOMPRESSION VALVE
G1/4"	N1/4"	G3/8	G3/8
G3/8	N3/8	G1/2	G1/2
G1/2	N1/2	G3/4	G3/4
G3/4	N3/4	G1	G1
G1	N1		

MALE  
FEMALE

**DN/ISO**

6  
10  
12,5  
20  
25

**Body Material**

● 1 = 1,0737

**Seal material**

B = NBR E = FKM\*

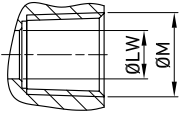
\*On request

- Plugs
- Caps



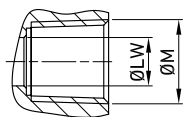
Available colours:

- Blue
- Yellow
- Red
- Green



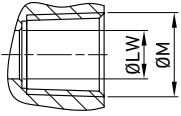
**QUICK COUPLINGS NORDIC TYPE (male / female)  
FEMALE THEREAD BSPP (ISO1179-1)**

										CS Carbon Steel
TYPE	DN	PN	ØA	C	Ød	ch	ØM	WEIGHT		ITEM CODE
QC NORDIC G1/4 MALE	6	MPa 40	mm -	48,2	12	18	G1/4	kg	0,05	NC45G010000
		Psi 5800	inch -	1,90	0,47	0,71		lb	0,11	
QC NORDIC G1/4 FEMALE	6	MPa 40	mm 26	60	-	21	G1/4	kg	0,15	NC46G010000
		Psi 5800	inch 1,02	2,36	-	0,83		lb	0,32	
QC NORDIC G3/8 MALE	10	MPa 33	mm -	38	19,9	22	G3/8	kg	0,06	NC45G020000
		Psi 4785	inch -	1,50	0,78	0,87		lb	0,12	
QC NORDIC G3/8 FEMALE	10	MPa 33	mm 35	61	-	24	G3/8	kg	0,22	NC46G020000
		Psi 4785	inch 1,38	2,40	-	0,94		lb	0,48	
QC NORDIC G1/2 MALE	12,5	MPa 34	mm -	42,5	24,7	27	G1/2	kg	0,10	NC45G030000
		Psi 5000	inch -	1,67	0,97	1,06		lb	0,21	
QC NORDIC G1/2 FEMALE	12,5	MPa 34	mm 41	67,5	-	30	G1/2	kg	0,33	NC46G030000
		Psi 5000	inch 1,61	2,66	-	1,18		lb	0,72	
QC NORDIC G3/4 MALE	20	MPa 33	mm -	47	32,7	36	G3/4	kg	0,19	NC45G040000
		Psi 4785	inch -	1,85	1,29	1,42		lb	0,41	
QC NORDIC G3/4 FEMALE	20	MPa 33	mm 52	76,4	-	38	G3/4	kg	0,58	NC46G040000
		Psi 4785	inch 2,05	3,01	-	1,50		lb	1,27	
QC NORDIC G1 MALE	25	MPa 33	mm -	56,5	40,9	45	G1	kg	0,35	NC45G050000
		Psi 4785	inch -	2,22	1,61	1,77		lb	0,77	
QC NORDIC G1 FEMALE	25	MPa 33	mm 62	92,4	-	45	G1	kg	0,97	NC46G050000
		Psi 4785	inch 2,44	3,64	-	1,77		lb	2,17	



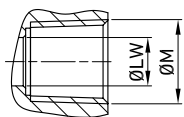
## QUICK COUPLINGS NORDIC TYPE (male / female) FEMALE THEREAD NPTF (ANSI B.1.20.3)

									CS Carbon Steel		
TYPE	DN	PN	ØA	C	Ød	ch	ØM	WEIGHT	ITEM CODE		
QC NORDIC N1/4 MALE	6	MPa 48,2	mm -	48,2	12	19	N1/4	kg 0,05	NC45N010000		
		Psi 6989	inch -	1,90	0,47	0,75		lb 0,11			
QC NORDIC N1/4 FEMALE	6	MPa 40	mm 26	60	-	21	N1/4	kg 0,15	NC46N010000		
		Psi 5800	inch 1,02	2,36	-	0,83		lb 0,32			
QC NORDIC N3/8 MALE	10	MPa 33	mm -	38	19,9	22	N3/8	kg 0,06	NC45N020000		
		Psi 4785	inch -	1,50	0,78	0,87		lb 0,12			
QC NORDIC N3/8 FEMALE	10	MPa 33	mm 35	61,6	-	24	N3/8	kg 0,22	NC46N020000		
		Psi 4785	inch 1,38	2,43	-	0,94		lb 0,48			
QC NORDIC N1/2 MALE	12,5	MPa 34	mm -	42,5	24,7	27	N1/2	kg 0,10	NC45N030000		
		Psi 5000	inch -	1,67	0,97	1,06		lb 0,21			
QC NORDIC N1/2 FEMALE	12,5	MPa 34	mm 41	67,6	-	30	N1/2	kg 0,33	NC46N030000		
		Psi 5000	inch 1,61	2,66	-	1,18		lb 0,72			
QC NORDIC N3/4 MALE	20	MPa 33	mm -	47	32,7	36	N3/4	kg 0,19	NC45N040000		
		Psi 4785	inch -	1,85	1,29	1,42		lb 0,41			
QC NORDIC N3/4 FEMALE	20	MPa 33	mm 52	76,2	-	38	N3/4	kg 0,58	NC46N040000		
		Psi 4785	inch 2,05	3,00	-	1,50		lb 1,27			
QC NORDIC N1 MALE	25	MPa 33	mm -	56,5	40,9	45	N1	kg 0,35	NC45N050000		
		Psi 4785	inch -	2,22	1,61	1,77		lb 0,77			
QC NORDIC N1 FEMALE	25	MPa 33	mm 62	92	-	45	N1	kg 0,97	NC46N050000		
		Psi 4785	inch 2,44	3,62	-	1,77		lb 2,17			


**QUICK COUPLINGS NORDIC TYPE (male / female)  
POPPET WITH DECOMPRESSION VALVE**

										CS Carbon Steel	
TYPE	DN	PN		ØA	C	Ød	ch	ØM	WEIGHT		ITEM CODE
QC NORDIC G3/8 MALE	10	MPa	33	mm	-	38	19,9	G3/8	kg	0,06	NC47G020000
		Psi	4785	inch	-	1,50	0,78		0,87	lb	
QC NORDIC G3/8 FEMALE	10	MPa	33	mm	35	61	-	G3/8	kg	0,22	NC48G020000
		Psi	4785	inch	1,38	2,40	-		0,94	lb	
QC NORDIC G1/2 MALE	12,5	MPa	34,4828	mm	-	42,5	24,7	G1/2	kg	0,10	NC47G030000
		Psi	5000	inch	-	1,67	0,97		1,06	lb	
QC NORDIC G1/2 FEMALE	12,5	MPa	34,4828	mm	41	67,5	-	G1/2	kg	0,33	NC48G030000
		Psi	5000	inch	1,61	2,66	-		1,18	lb	
QC NORDIC G3/4 MALE	20	MPa	33	mm	-	47	32,7	G3/4	kg	0,19	NC47G040000
		Psi	4785	inch	-	1,85	1,29		1,42	lb	
QC NORDIC G3/4 FEMALE	20	MPa	33	mm	52	76,4	-	G3/4	kg	0,58	NC48G040000
		Psi	4785	inch	2,05	3,01	-		1,50	lb	
QC NORDIC G1 MALE	25	MPa	33	mm	-	56,5	40,9	G1	kg	0,35	NC47G050000
		Psi	4785	inch	-	2,22	1,61		1,77	lb	
QC NORDIC G1 FEMALE	25	MPa	33	mm	62	92,4	-	G1	kg	0,97	NC48G050000
		Psi	4785	inch	2,44	3,64	-		1,77	lb	





## QUICK COUPLINGS NORDIC TYPE (male / female) POPPET WITH DECOMPRESSION VALVE

TYPE	DN	PN		ØA	C	Ød	ch	ØM	WEIGHT		ITEM CODE	
		MPa	Psi						kg	lb		
QC NORDIC N3/8 MALE	10	MPa	33	mm	-	38	19,9	22	N3/8	kg	0,06	NC47N020000
		Psi	4785	inch	-	1,50	0,78	0,87		lb	0,12	
QC NORDIC N3/8 FEMALE	10	MPa	33	mm	35	61,6	-	24	N3/8	kg	0,22	NC48N020000
		Psi	4785	inch	1,38	2,43	-	0,94		lb	0,48	
QC NORDIC N1/2 MALE	12,5	MPa	34	mm	-	42,5	24,7	27	N1/2	kg	0,10	NC47N030000
		Psi	5000	inch	-	1,67	0,97	1,06		lb	0,21	
QC NORDIC N1/2 FEMALE	12,5	MPa	34	mm	41	67,6	-	30	N1/2	kg	0,33	NC48N030000
		Psi	5000	inch	1,61	2,66	-	1,18		lb	0,72	
QC NORDIC N3/4 MALE	20	MPa	33	mm	-	47	32,7	36	N3/4	kg	0,19	NC47N040000
		Psi	4785	inch	-	1,85	1,29	1,42		lb	0,41	
QC NORDIC N3/4 FEMALE	20	MPa	33	mm	52	76,2	-	38	N3/4	kg	0,58	NC48N040000
		Psi	4785	inch	2,05	3,00	-	1,50		lb	1,27	
QC NORDIC N1 MALE	25	MPa	33	mm	-	56,5	40,9	45	N1	kg	0,35	NC47N050000
		Psi	4785	inch	-	2,22	1,61	1,77		lb	0,77	
QC NORDIC N1 FEMALE	25	MPa	33	mm	62	92	-	45	N1	kg	0,97	NC48N050000
		Psi	4785	inch	2,44	3,62	-	1,77		lb	2,17	

CS  
Carbon  
Steel



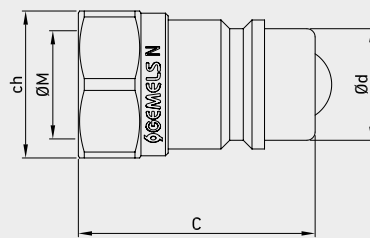
ISO 5675 - WITH BALL

Edition. 21.2

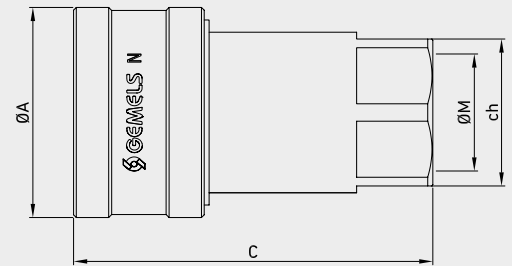
**CS Carbon Steel**

- Type: Quick Couplings
- Models: ISO 5675
- Sizes: from DN6 to DN25
- Pressure: up to PN350
- Treatment: Galvanized

Male



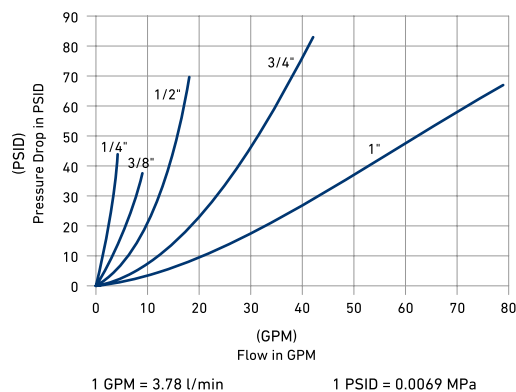
Female



Available also in patented version: ball valve with integrated quick coupling.

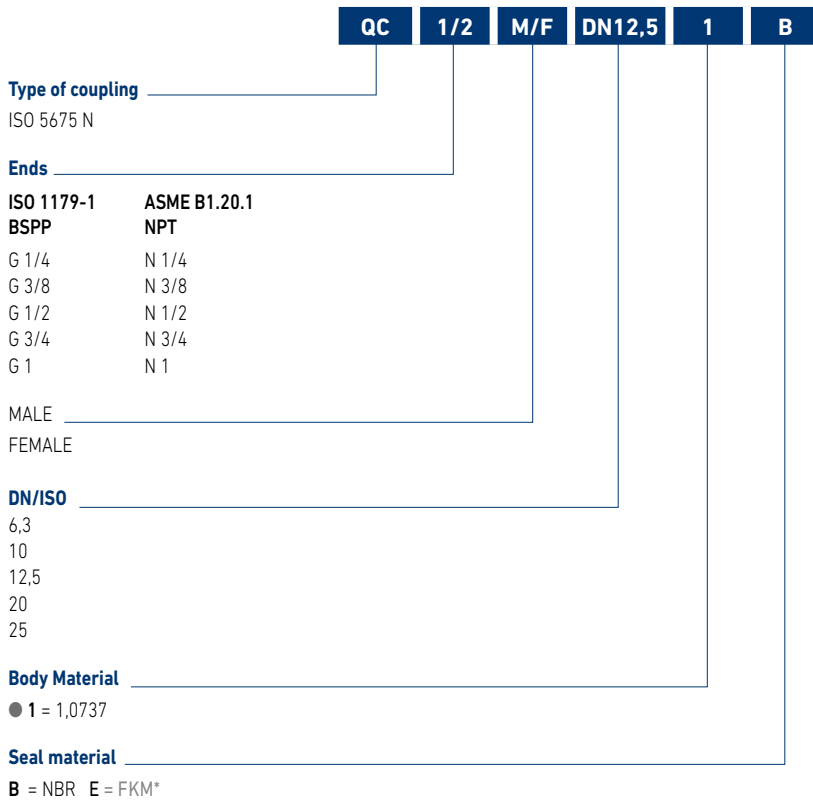
**Performance**

(1/4", 3/8", 1/2", 3/4", 1")  
 Series (1/4", 3/8", 1/2", 3/4", 1")  
 200SUS (Test Fluid: Oil-200SUS)



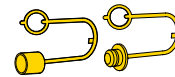


**CODE DESCRIPTION STRUCTURE**



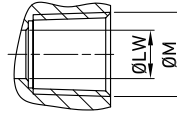
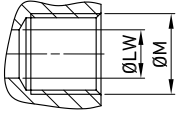
\*On request

- Plugs
- Caps



Available colours:

- Blue
- Yellow
- Red
- Green



**QUICK COUPLINGS ISO 5675  
(male / female)  
FEMALE THREAD ISO 1179-1 BSPP  
WITH BALL**

CS  
Carbon  
Steel

TYPE	DN	PN	ØA	C	Ød	ch	ØM	WEIGHT	ITEM CODE
QC N G 1/4 MALE	6,3	MPa 35	mm -	36	14,2	19	G 1/4	kg 0,04	NC07G010000
		Psi 5075	inch -	1,42	0,56	0,75		lb 0,09	
QC N G 1/4 FEMALE	6,3	MPa 35	mm 27,6	53,5	-	19	G 1/4	kg 0,11	NC08G010000
		Psi 5075	inch 1,09	2,11	-	0,75		lb 0,24	
QC N G 3/8 MALE	10	MPa 28	mm -	40	19	24	G 3/8	kg 0,08	NC07G020000
		Psi 4060	inch -	1,57	0,75	0,94		lb 0,18	
QC N G 3/8 FEMALE	10	MPa 28	mm 34	63	-	24	G 3/8	kg 0,2	NC08G020000
		Psi 4060	inch 1,34	2,48	-	0,94		lb 0,44	
QC N G 1/2 MALE	12,5	MPa 28	mm -	43,5	20,5	27	G 1/2	kg 0,09	NC07G030000
		Psi 4060	inch -	1,71	0,81	1,06		lb 0,20	
QC N G 1/2 FEMALE	12,5	MPa 28	mm 38,6	66,3	-	27	G 1/2	kg 0,27	NC08G030000
		Psi 4060	inch 1,52	2,61	-	1,06		lb 0,60	
QC N G 3/4 MALE	20	MPa 20	mm -	53,5	28	34	G 3/4	kg 0,182	NC07G040000
		Psi 2900	inch -	2,11	1,10	1,34		lb 0,40	
QC N G 3/4 FEMALE	20	MPa 20	mm 48,2	82,5	-	34	G 3/4	kg 0,515	NC08G040000
		Psi 2900	inch 1,90	3,25	-	1,34		lb 1,14	
QC N G 1 MALE	25	MPa 20	mm -	63	31,3	41	G 1	kg 0,246	NC07G050000
		Psi 2900	inch -	2,48	1,23	1,61		lb 0,54	
QC N G 1 FEMALE	25	MPa 20	mm 56	96,5	-	41	G 1	kg 0,817	NC08G050000
		Psi 2900	inch 2,20	3,80	-	1,61		lb 1,80	

**QUICK COUPLINGS ISO 5675  
(male / female)  
FEMALE THREAD ASME B1.20.1  
NPT WITH BALL**

CS  
Carbon  
Steel

TYPE	DN	PN	ØA	C	Ød	ch	ØM	WEIGHT	ITEM CODE
QC N N 1/4 MALE	6,3	MPa 35	mm -	36	14,2	19	NPT	kg 0,04	NC07N010000
		Psi 5075	inch -	1,42	0,56	0,75		lb 0,09	
QC N N 1/4 FEMALE	6,3	MPa 35	mm 27,6	53,5	-	19	NPT	kg 0,11	NC08N010000
		Psi 5075	inch 1,09	2,11	-	0,75		lb 0,24	
QC N N 3/8 MALE	10	MPa 28	mm -	40	19	24	NPT	kg 0,08	NC07N020000
		Psi 4060	inch -	1,57	0,75	0,94		lb 0,18	
QC N N 3/8 FEMALE	10	MPa 28	mm 34	63	-	24	NPT	kg 0,2	NC08N020000
		Psi 4060	inch 1,34	2,48	-	0,94		lb 0,44	
QC N N 1/2 MALE	12,5	MPa 28	mm -	43,5	20,5	27	NPT	kg 0,09	NC07N030000
		Psi 4060	inch -	1,71	0,81	1,06		lb 0,20	
QC N N 1/2 FEMALE	12,5	MPa 28	mm 38,6	66,3	-	27	NPT	kg 0,27	NC08N030000
		Psi 4060	inch 1,52	2,61	-	1,06		lb 0,60	
QC N N 3/4 MALE	20	MPa 20	mm -	53,5	28	34	NPT	kg 0,09	NC07N040000
		Psi 2900	inch -	2,11	1,10	1,34		lb 0,20	
QC N N 3/4 FEMALE	20	MPa 20	mm 48,2	82,5	-	34	NPT	kg 0,27	NC08N040000
		Psi 2900	inch 1,90	3,25	-	1,34		lb 0,60	
QC N N 1 MALE	25	MPa 20	mm -	63	31,3	41	NPT 1	kg 0,09	NC07N050000
		Psi 2900	inch -	2,48	1,23	1,61		lb 0,20	
QC N N 1 FEMALE	25	MPa 20	mm 56	96,5	-	41	NPT 1	kg 0,27	NC08N050000
		Psi 2900	inch 2,20	3,80	-	1,61		lb 0,60	





# NV

ISO 5675 - WITH POPPET

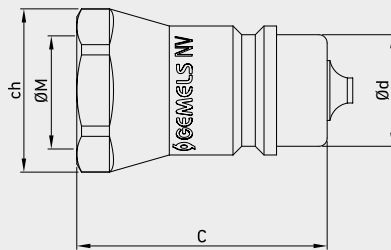
Interchangeable size 1/2" with ISO 7241/A

Edition. 21.3

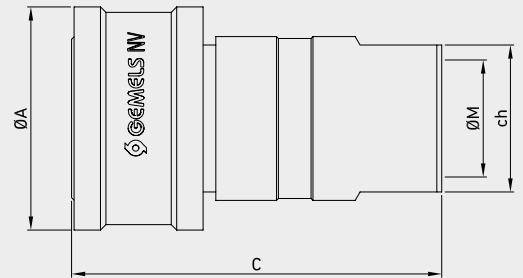
## CS Carbon Steel

- Type: Quick Couplings
- Models: ISO 5675
- Sizes: from DN6 to DN25
- Pressure: up to PN350
- Treatment: Galvanized

Male



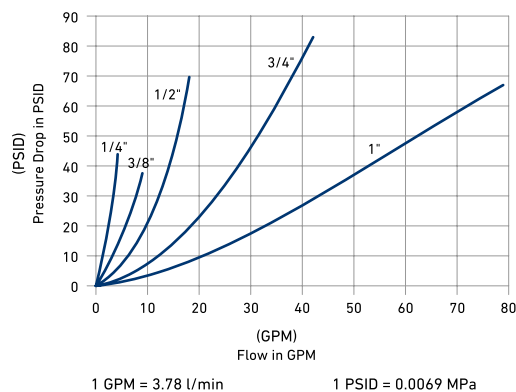
Female



Available also in patented version: ball valve with integrated quick coupling.

### Performance

(1/4", 3/8", 1/2", 3/4", 1")  
 Series (1/4", 3/8", 1/2", 3/4", 1")  
 200SUS (Test Fluid: Oil-200SUS)





### CODE DESCRIPTION STRUCTURE

QC	1/2	M/F	DN12,5	1	B
----	-----	-----	--------	---	---

**Type of coupling**

ISO 5675 NV

**Ends**

ISO 1179-1 BSPP	ASME B1.20.1 NPT
G 1/4	N 1/4
G 3/8	N 3/8
G 1/2	N 1/2
G 3/4	N 3/4
G 1	N 1

MALE

FEMALE

**DN/ISO**

- 6,3
- 10
- 12,5
- 20
- 25

**Body Material**

● 1 = 1,0737

**Seal material**

B = NBR E = FKM\*

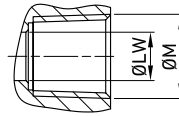
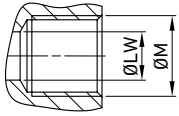
\*On request

- Plugs
- Caps



Available colours:

- Blue
- Yellow
- Red
- Green



**QUICK COUPLINGS ISO 5675  
(male / female)  
FEMALE THREAD ISO 1179-1  
BSPP WITH POPPET**

**QUICK COUPLINGS ISO 5675  
(male / female)  
FEMALE THREAD ASME B1.20.1  
NPT WITH POPPET**

										CS Carbon Steel										
TYPE	DN	PN	ØA	C	Ød	ch	ØM	WEIGHT	ITEM CODE											
QC NV G 1/4 MALE	6,3	MPa 35	mm -	36	14,2	19	G 1/4	kg 0,043	NC09G010000											
		Psi 5075	inch -	1,42	0,56	0,75		lb 0,09												
QC NV G 1/4 FEMALE	6,3	MPa 35	mm	27,6	55,5	-	G 1/4	kg 0,128	NC10G010000											
		Psi 5075	inch	1,09	2,19	-		0,87		lb 0,28										
QC NV G 3/8 MALE	10	MPa 35	mm -	40	19	24	G 3/8	kg 0,075	NC09G020000											
		Psi 5075	inch -	1,57	0,75	0,94		lb 0,17												
QC NV G 3/8 FEMALE	10	MPa 35	mm	34	60,5	-	G 3/8	kg 0,2	NC10G020000											
		Psi 5075	inch	1,34	2,38	-		0,94		lb 0,44										
QC NV G 1/2 MALE	12,5	MPa 35	mm -	46	20,5	27	G 1/2	kg 0,085	NC09G030000											
		Psi 5075	inch -	1,81	0,81	1,06		lb 0,19												
QC NV G 1/2 FEMALE	12,5	MPa 35	mm	38	68	-	G 1/2	kg 0,27	NC10G030000											
		Psi 5075	inch	1,50	2,68	-		1,06		lb 0,60										
QC NV G 3/4 MALE	20	MPa 25	mm -	53,5	28	34	G 3/4	kg 0,174	NC09G040000											
		Psi 3625	inch -	2,11	1,10	1,34		lb 0,38												
QC NV G 3/4 FEMALE	20	MPa 25	mm	48,2	82,5	-	G 3/4	kg 0,515	NC10G040000											
		Psi 3625	inch	1,90	3,25	-		1,34		lb 1,14										
QC NV G 1 MALE	25	MPa 25	mm -	64	31,3	41	G 1	kg 0,258	NC09G050000											
		Psi 3625	inch -	2,52	1,23	1,61		lb 0,57												
QC NV G 1 FEMALE	25	MPa 25	mm	56,2	97,5	-	G 1	kg 0,936	NC10G050000											
		Psi 3625	inch	2,21	3,84	-		1,61		lb 2,06										

										CS Carbon Steel										
TYPE	DN	PN	ØA	C	Ød	ch	ØM	WEIGHT	ITEM CODE											
QC NV N 1/4 MALE	6,3	MPa 35	mm -	36	14,2	19	NPT	kg 0,044	NC09N010000											
		Psi 5075	inch -	1,42	0,56	0,75		1/4		lb 0,10										
QC NV N 1/4 FEMALE	6,3	MPa 35	mm	27,6	55,5	-	NPT	kg 0,13	NC10N010000											
		Psi 5075	inch	1,09	2,19	-		0,87		1/4	lb 0,29									
QC NV N 3/8 MALE	10	MPa 35	mm -	40	19	24	NPT	kg 0,08	NC09N020000											
		Psi 5075	inch -	1,57	0,75	0,94		3/8		lb 0,18										
QC NV N 3/8 FEMALE	10	MPa 35	mm	34	60,5	-	NPT	kg 0,2	NC10N020000											
		Psi 5075	inch	1,34	2,38	-		0,94		3/8	lb 0,44									
QC NV N 1/2 MALE	12,5	MPa 35	mm -	46	20,5	27	NPT	kg 0,09	NC09N030000											
		Psi 5075	inch -	1,81	0,81	1,06		1/2		lb 0,20										
QC NV N 1/2 FEMALE	12,5	MPa 35	mm	38	68	-	NPT	kg 0,27	NC10N030000											
		Psi 5075	inch	1,50	2,68	-		1,06		1/2	lb 0,60									
QC NV N 3/4 MALE	20	MPa 25	mm -	53,5	28	34	NPT	kg 0,09	NC09N040000											
		Psi 3625	inch -	2,11	1,10	1,34		3/4		lb 0,20										
QC NV N 3/4 FEMALE	20	MPa 25	mm	48,2	82,5	-	NPT	kg 0,29	NC10N040000											
		Psi 3625	inch	1,90	3,25	-		1,34		3/4	lb 0,64									
QC NV N 1 MALE	25	MPa 25	mm -	64	31,3	41	NPT 1	kg 0,1	NC09N050000											
		Psi 3625	inch -	2,52	1,23	1,61		lb 0,22												
QC NV N 1 FEMALE	25	MPa 25	mm	56,2	97,5	-	NPT 1	kg 0,3	NC10N050000											
		Psi 3625	inch	2,21	3,84	-		1,61		lb 0,66										







# BGF

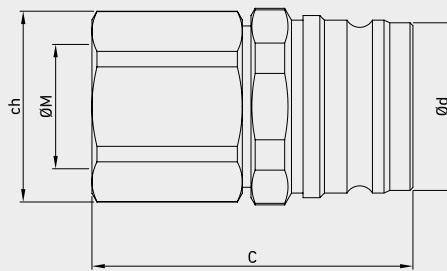
## ISO 5676 - BRAKE COUPLINGS

Edition. 21.0

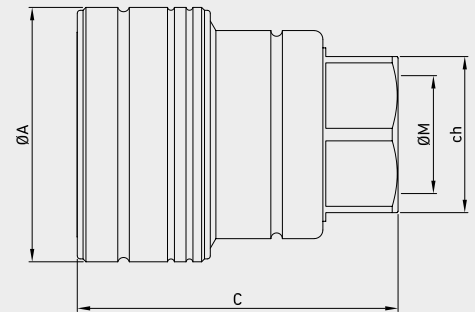
### CS Carbon Steel

- Type: Quick Couplings
- Models: ISO 5676
- Sizes: from DN10 to DN13
- Pressure: up to PN210
- Treatment: Galvanized

Male



Female



**Available also  
in patented version:**  
ball valve with integrated  
quick coupling.



### CODE DESCRIPTION STRUCTURE

<b>QC</b>	<b>DN12,5</b>	<b>1M/F</b>	<b>DN12,5</b>	<b>1</b>	<b>B</b>
-----------	---------------	-------------	---------------	----------	----------

**Type of coupling**

FLAT FACE - BGF

**Ends**

<b>ISO 1179-1</b>	<b>ISO 8434-1-L</b>	<b>ISO 8434-1-L</b>
<b>BSPP</b>	<b>(DIN2353)</b>	<b>(DIN2353)</b>
		<b>BULKHEAD</b>
G 3/8	12L	12L
G 1/2	15L	15L

MALE  
FEMALE

**DN/ISO**

10  
13

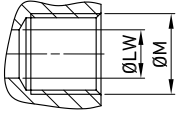
**Body Material**

● 1 = 1,0737

**Seal material**

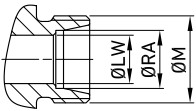
B = NBR E = FKM\*

\*On request  
• Plugs



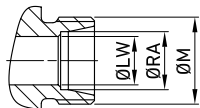
**QUICK COUPLINGS BGF ISO 5676 (male / female)  
FEMALE THREAD ISO 1179-1 BSPP**

										CS Carbon Steel
TYPE	DN	PN	ØA	C	Ød	ch	ØM	WEIGHT		ITEM CODE
QC BGF G 3/8 MALE	12,5	MPa 21	mm -	55,5	29	30	G3/8	kg	0,226	NC21G030001
		Psi 3045	inch -	2,19	1,14	1,18		lb	0,50	
QC BGF G3/8 FEMALE		MPa 21	mm 44	55,5	-	27	G3/8	kg	0,333	NC22G030001
		Psi 3045	inch 1,73	2,19	-	1,06		lb	0,73	
QC BGF G 1/2 MALE		MPa 21	mm -	55,5	29	30	G1/2	kg	0,226	NC21G030000
		Psi 3045	inch -	2,19	1,14	1,18		lb	0,50	
QC BGF G 1/2 FEMALE	MPa 21	mm 44	55,5	-	27	G1/2	kg	0,319	NC22G030000	
	Psi 3045	inch 1,73	2,19	-	1,06		lb	0,70		



**QUICK COUPLINGS BGF ISO 5676 (male / female)  
MALE THREAD METRIC ISO 8434-1-L (DIN2353)**

										CS Carbon Steel
TYPE	DN	PN	ØA	C	Ød	ch	ØM	WEIGHT		ITEM CODE
QC BGF 12L MALE	12,5	MPa 21	mm -	51	29	32	M18X1,5	kg	0,157	NC21L030001
		Psi 3045	inch -	2,01	1,14	1,26		lb	0,35	
QC BGF 12L FEMALE		MPa 21	mm 44	51	-	27	M18X1,5	kg	0,321	NC22L030001
		Psi 3045	inch 1,73	2,01	-	1,06		lb	0,71	
QC BGF 15L MALE		MPa 21	mm -	60,5	29	32	M22X1,5	kg	0,157	NC21L030000
		Psi 3045	inch -	2,38	1,14	1,26		lb	0,35	
QC BGF 15L FEMALE	MPa 21	mm 44	60,5	-	27	M22X1,5	kg	0,332	NC22L030000	
	Psi 3045	inch 1,73	2,38	-	1,06		lb	0,73		



## QUICK COUPLINGS BGF ISO 5676 (male / female) MALE THREAD METRIC ISO 8434-1-L (DIN2353) BULKHEAD

										CS Carbon Steel
TYPE	DN	PN	ØA	C	Ød	ch	ØM	WEIGHT		ITEM CODE
QC BGF 12LBK MALE	12,5	MPa 21	mm	58,5	29	32	M18X1,5	kg	0,55	NC21M030001
		Psi 3045	inch	0,00	2,30	1,14		1,26	lb	
QC BGF 12LBK FEMALE		MPa 21	mm	44	58,5	27	M18X1,5	kg	0,63	NC22M030001
		Psi 3045	inch	1,73	2,30	0,00		1,06	lb	
QC BGF 15LBK MALE		MPa 21	mm	60,5	29	32	M22X1,5	kg	0,18	NC21M030000
		Psi 3045	inch	0,00	2,38	1,14		1,26	lb	
QC BGF 15LBK FEMALE		MPa 21	mm	44	60,5	27	M22X1,5	kg	0,25	NC22M030000
		Psi 3045	inch	1,73	2,38	0,00		1,06	lb	



# VGA

## ISO 14541 - SCREW-TO-CONNECT COUPLINGS

Available other different threads on request

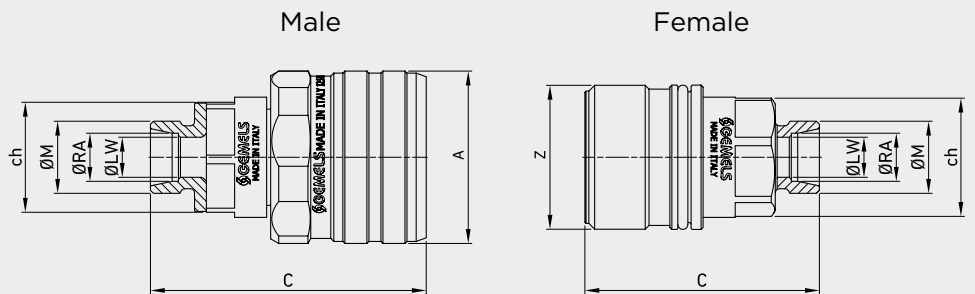
Edition. 21.4

### CS Carbon Steel

- Type: Quick Couplings
- Models: ISO 14541
- Sizes: from DN6 up to DN25
- Pressure: up to PN420
- Treatment: Galvanized

### SS Stainless Steel

- Type: Quick Couplings
- Models: ISO 14541
- Sizes: from DN6 up to DN25
- Pressure: up to PN420



Available also in patented version: ball valve with integrated quick coupling.



### CODE DESCRIPTION STRUCTURE

**QC 1/2 F/M DN12,5 1 B**

**Type of coupling**

SCREW-TO-CONNECT-COUPLINGS ISO 14541

**Ends**

ISO 1179-1 BSPP	ISO 8434-1-S (DIN 2353)	ISO 8434-1-L (DIN 2353)	ISO 8434-1-S (DIN 2353) BULKHEAD	ISO 8434-1-L (DIN 2353) BULKHEAD
G1/4	6L	8S	10S	8L
G3/8	8L	10S	12S	10L
G1/2	10L	12S	16S	12L
G3/4	12L	14S	20S	15L
G1	15L	16S	25S	18L
	18L	20S	30S	22L
	22L	25S		28L
	28L	30S		
	35L			

MALE  
FEMALE

**DN/ISO**

6,3  
10  
12,5  
20  
25

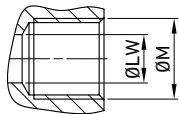
**Body Material**

- 1 = 1,0737
- 4 = 1,4404

**Seal material**

- B = NBR E = FKM\*
- E = FKM

\*On request  
• Plugs

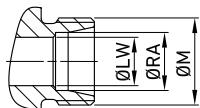


**SCREW-TO-CONNECT-COUPLINGS ISO 14541 (male / female)  
FEMALE THREAD ISO 1179-1 BSPP**

										CS Carbon Steel											SS Stainless Steel		
TYPE	DN	PN	ØA	C	z	ch	ØM	WEIGHT	ITEM CODE	TYPE	DN	PN	ØA	C	z	ch	ØM	WEIGHT	ITEM CODE				
QC VGA G 1/4 MALE	6,3	MPa 42	mm 30 64	-	19	G1/4	kg 0,141	NC15G010000	QC VGA G 1/4 MALE	6,3	MPa 42	mm 30 64	-	19	G1/4	kg 0,141	NC15G01S000	Psi 6090	inch 1,18 2,52	-	0,75	lb 0,31	NC15G01S000
		Psi 6090	inch 1,18 2,52	-	0,75						lb 0,31												
QC VGA G 1/4 FEMALE	6,3	MPa 42	mm - 60,5	M24X2	19	G1/4	kg 0,122	NC16G010000	QC VGA G 1/4 FEMALE	6,3	MPa 42	mm - 53	M24X2	19	G1/4	kg 0,122	NC16G01S000	Psi 6090	inch - 2,38	-	0,75	lb 0,27	NC16G01S000
		Psi 6090	inch - 2,38	-	0,75						lb 0,27												
QC VGA G 3/8 MALE	10	MPa 42	mm 34 66,5	-	24	G3/8	kg 0,193	NC15G020000	QC VGA G 3/8 MALE	10	MPa 42	mm 34 66,5	-	24	G3/8	kg 0,193	NC15G02S000	Psi 6090	inch 1,34 2,62	-	0,94	lb 0,43	NC15G02S000
		Psi 6090	inch 1,34 2,62	-	0,94						lb 0,43												
QC VGA G 3/8 FEMALE	10	MPa 42	mm - 60	M28X2	24	G3/8	kg 0,185	NC16G020000	QC VGA G 3/8 FEMALE	10	MPa 42	mm - 60	M28X2	24	G3/8	kg 0,185	NC16G02S000	Psi 6090	inch - 2,36	-	0,94	lb 0,41	NC16G02S000
		Psi 6090	inch - 2,36	-	0,94						lb 0,41												
QC VGA G 1/2 MALE	10	MPa 42	mm 34 69	-	24	G1/2	kg 0,187	NC15G020001	QC VGA G 1/2 MALE	10	MPa 42	mm 34 69	-	24	G1/2	kg 0,187	NC15G02S001	Psi 6090	inch 1,34 2,72	-	0,94	lb 0,41	NC15G02S001
		Psi 6090	inch 1,34 2,72	-	0,94						lb 0,41												
QC VGA G 1/2 FEMALE	10	MPa 42	mm - 62,5	M28X2	24	G1/2	kg 0,171	NC16G020001	QC VGA G 1/2 FEMALE	10	MPa 42	mm - 62,5	M28X2	24	G1/2	kg 0,171	NC16G02S001	Psi 6090	inch - 2,46	-	0,94	lb 0,38	NC16G02S001
		Psi 6090	inch - 2,46	-	0,94						lb 0,38												
QC VGA G 3/8 MALE	12,5	MPa 42	mm 43 71	-	27	G3/8	kg 0,309	NC15G030000	QC VGA G 3/8 MALE	12,5	MPa 42	mm 43 71	-	27	G3/8	kg 0,309	NC15G03S000	Psi 6090	inch 1,69 2,80	-	1,06	lb 0,68	NC15G03S000
		Psi 6090	inch 1,69 2,80	-	1,06						lb 0,68												
QC VGA G 3/8 FEMALE	12,5	MPa 42	mm - 60,5	M36X2	27	G3/8	kg 0,311	NC16G030000	QC VGA G 3/8 FEMALE	12,5	MPa 42	mm - 60,5	M36X2	27	G3/8	kg 0,311	NC16G03S000	Psi 6090	inch - 2,38	-	1,06	lb 0,69	NC16G03S000
		Psi 6090	inch - 2,38	-	1,06						lb 0,69												
QC VGA G 1/2 MALE	12,5	MPa 42	mm 43 74	-	27	G1/2	kg 0,303	NC15G030001	QC VGA G 1/2 MALE	12,5	MPa 42	mm 43 74	-	27	G1/2	kg 0,303	NC15G03S001	Psi 6090	inch 1,69 2,91	-	1,06	lb 0,67	NC15G03S001
		Psi 6090	inch 1,69 2,91	-	1,06						lb 0,67												
QC VGA G 1/2 FEMALE	12,5	MPa 42	mm - 63,5	M36X2	27	G1/2	kg 0,306	NC16G030001	QC VGA G 1/2 FEMALE	12,5	MPa 42	mm - 63,5	M36X2	27	G1/2	kg 0,306	NC16G03S001	Psi 6090	inch - 2,50	-	1,06	lb 0,67	NC16G03S001
		Psi 6090	inch - 2,50	-	1,06						lb 0,67												
QC VGA G 3/4 MALE	20	MPa 42	mm 48 85	-	34	G3/4	kg 0,44	NC15G040000	QC VGA G 3/4 MALE	20	MPa 42	mm 48 85	-	34	G3/4	kg 0,44	NC15G04S000	Psi 6090	inch 1,89 3,35	-	1,34	lb 0,97	NC15G04S000
		Psi 6090	inch 1,89 3,35	-	1,34						lb 0,97												
QC VGA G 3/4 FEMALE	20	MPa 42	mm - 84	M42X2	34	G3/4	kg 0,517	NC16G040000	QC VGA G 3/4 FEMALE	20	MPa 42	mm - 84	M42X2	34	G3/4	kg 0,517	NC16G04S000	Psi 6090	inch - 3,31	-	1,34	lb 1,14	NC16G04S000
		Psi 6090	inch - 3,31	-	1,34						lb 1,14												
QC VGA G 3/4 MALE	25	MPa 35	mm 57 98,5	-	41	G3/4	kg 0,758	NC15G050000	QC VGA G 3/4 MALE	25	MPa 35	mm 57 98,5	-	41	G3/4	kg 0,758	NC15G05S000	Psi 5075	inch 2,24 3,88	-	1,61	lb 1,67	NC15G05S000
		Psi 5075	inch 2,24 3,88	-	1,61						lb 1,67												
QC VGA G 3/4 FEMALE	25	MPa 35	mm - 95	M48X2	41	G3/4	kg 0,75	NC16G050000	QC VGA G 3/4 FEMALE	25	MPa 35	mm - 95	M48X2	41	G3/4	kg 0,75	NC16G05S000	Psi 5075	inch - 3,74	-	1,61	lb 1,65	NC16G05S000
		Psi 5075	inch - 3,74	-	1,61						lb 1,65												
QC VGA G 1 MALE	25	MPa 35	mm 57 100,5	-	41	G1	kg 0,737	NC15G050001	QC VGA G 1 MALE	25	MPa 35	mm 57 100,5	-	41	G1	kg 0,737	NC15G05S001	Psi 5075	inch 2,24 3,96	-	1,61	lb 1,62	NC15G05S001
		Psi 5075	inch 2,24 3,96	-	1,61						lb 1,62												
QC VGA G 1 FEMALE	25	MPa 35	mm - 97	M48X2	41	G1	kg 0,728	NC16G050001	QC VGA G 1 FEMALE	25	MPa 35	mm - 97	M48X2	41	G1	kg 0,728	NC16G05S001	Psi 5075	inch - 3,82	-	1,61	lb 1,60	NC16G05S001
		Psi 5075	inch - 3,82	-	1,61						lb 1,60												





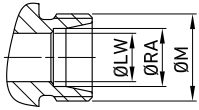


**SCREW-TO-CONNECT-COUPLINGS ISO 14541 (male / female)  
MALE THREAD METRIC ISO 8434-1-S (DIN 2353)**

CS

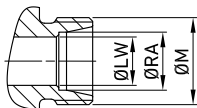
Carbon Steel

TYPE	DN	PN	ØA	C	z	ch	ØM	ØLW	ØRA	WEIGHT	ITEM CODE	
QC VGA 8S MALE	10	MPa 42	mm 34	69	-	24	M16X1,5	5	8	kg 0,169	NC15H020000	
		Psi 6090	inch 1,34	2,72	-	0,94		0,20	0,31	0,31 0,37		
QC VGA 8S FEMALE		MPa 42	mm -	62,5	M28X2	24	M16X1,5	5	8	kg 0,172	NC16H020000	
		Psi 6090	inch -	2,46		0,94		0,20	0,31	lb 0,38		
QC VGA 10S MALE		MPa 42	mm 34	69	-	24	M18X1,5	7	10	kg 0,169	NC15H020001	
		Psi 6090	inch 1,34	2,72	-	0,94		0,28	0,39	0,39 0,37		
QC VGA 10S FEMALE		MPa 42	mm -	62,5	M28X2	24	M18X1,5	7	10	kg 0,158	NC16H020001	
		Psi 6090	inch -	2,46		0,94		0,28	0,39	lb 0,35		
QC VGA 12S MALE		12,5	MPa 42	mm 43	70	-	27	M20X1,5	8	12	kg 0,251	NC15H030000
			Psi 6090	inch 1,69	2,76	-	1,06		0,31	0,47	0,47 0,55	
QC VGA 12S FEMALE	MPa 42		mm -	59,5	M36X2	27	M20X1,5	8	12	kg 0,254	NC16H030000	
	Psi 6090		inch -	2,34		1,06		0,31	0,47	lb 0,56		
QC VGA 14S MALE	MPa 42		mm 43	72	-	27	M22X1,5	8	14	kg 0,26	NC15H030001	
	Psi 6090		inch 1,69	2,83	-	1,06		0,31	0,55	0,55 0,57		
QC VGA 14S FEMALE	MPa 42		mm -	61,5	M36X2	27	M22X1,5	8	14	kg 0,258	NC16H030001	
	Psi 6090		inch -	2,42		1,06		0,31	0,55	lb 0,57		
QC VGA 16S MALE	MPa 42		mm 43	72	-	27	M24X1,5	12	16	kg 0,281	NC15H030002	
	Psi 6090		inch 1,69	2,83	-	1,06		0,47	0,63	0,63 0,62		
QC VGA 16S FEMALE	MPa 42	mm -	61,5	M36X2	27	M24X1,5	12	16	kg 0,278	NC16H030002		
	Psi 6090	inch -	2,42		1,06		0,47	0,63	lb 0,61			
QC VGA 16S MALE	20	MPa 42	mm 48	79	-	34	M24X1,5	12	16	kg 0,374	NC15H040000	
		Psi 6090	inch 1,89	3,11	-	1,34		0,47	0,63	0,63 0,82		
QC VGA 16S FEMALE		MPa 42	mm -	78	M42X2	34	M24X1,5	12	16	kg 0,266	NC16H040000	
		Psi 6090	inch -	3,07		1,34		0,47	0,63	lb 0,59		
QC VGA 20S MALE		MPa 42	mm 48	81	-	34	M30X2	16	20	kg 0,383	NC15H040001	
		Psi 6090	inch 1,89	3,19	-	1,34		0,63	0,79	0,79 0,84		
QC VGA 20S FEMALE		MPa 42	mm -	80	M42X2	34	M30X2	16	20	kg 0,436	NC16H040001	
		Psi 6090	inch -	3,15		1,34		0,63	0,79	lb 0,96		
QC VGA 20S MALE		25	MPa 35	mm 57	100,5	-	41	M30X2	16	20	kg 0,723	NC15H050000
			Psi 5075	inch 2,24	3,96	-	1,61		0,63	0,79	0,79 1,59	
QC VGA 20S FEMALE	MPa 35		mm -	97	M48x2	41	M30X2	16	20	kg 0,721	NC16H050000	
	Psi 5075		inch -	3,82		1,61		0,63	0,79	lb 1,59		
QC VGA 25S MALE	MPa 35		mm 57	102,5	-	41	M36X2	20	25	kg 0,742	NC15H050001	
	Psi 5075		inch 2,24	4,04	-	1,61		0,79	0,98	0,98 1,64		
QC VGA 25S FEMALE	MPa 35		mm -	99	M48x2	41	M36X2	20	25	kg 0,74	NC16H050001	
	Psi 5075		inch -	3,90		1,61		0,79	0,98	lb 1,63		
QC VGA 30S MALE	MPa 35		mm 57	104,5	-	46	M42X2	25	30	kg 0,821	NC15H050002	
	Psi 5075		inch 2,24	4,11	-	1,81		0,98	1,18	1,18 1,81		
QC VGA 30S FEMALE	MPa 35	mm -	101	M48x2	46	M42X2	25	30	kg 0,813	NC16H050002		
	Psi 5075	inch -	3,98		1,81		0,98	1,18	lb 1,79			



## SCREW-TO-CONNECT-COUPPLINGS ISO 14541 (male / female) MALE THREAD METRIC ISO 8434-1-S (DIN 2353)

TYPE	DN	PN	ØA	C	z	ch	ØM	ØLW	ØRA	WEIGHT	ITEM CODE
QC VGA 8S MALE	10	MPa 42	mm 34	69	-	24	M16X1,5	5	8	kg 0,169	NC15H02S000
		Psi 6090	inch 1,34	2,72		0,94		0,20	0,31	0,31 0,37	
QC VGA 8S FEMALE		MPa 42	mm -	62,5		24	M16X1,5	5	8	kg 0,172	NC16H02S000
		Psi 6090	inch -	2,46	M28X2	0,94		0,20	0,31	lb 0,38	
QC VGA 10S MALE		MPa 42	mm 34	69	-	24	M18X1,5	7	10	kg 0,169	NC15H02S001
		Psi 6090	inch 1,34	2,72		0,94		0,28	0,39	0,39 0,37	
QC VGA 10S FEMALE		MPa 42	mm -	62,5		24	M18X1,5	7	10	kg 0,158	NC16H02S001
		Psi 6090	inch -	2,46	M28X2	0,94		0,28	0,39	lb 0,35	
QC VGA 12S MALE		MPa 42	mm 43	70	-	27	M20X1,5	8	12	kg 0,251	NC15H03S000
		Psi 6090	inch 1,69	2,76		1,06		0,31	0,47	0,47 0,55	
QC VGA 12S FEMALE		MPa 42	mm -	59,5		27	M20X1,5	8	12	kg 0,254	NC16H03S000
		Psi 6090	inch -	2,34	M36X2	1,06		0,31	0,47	lb 0,56	
QC VGA 14S MALE	MPa 42	mm 43	72	-	27	M22X1,5	8	14	kg 0,26	NC15H03S001	
	Psi 6090	inch 1,69	2,83		1,06		0,31	0,55	0,55 0,57		
QC VGA 14S FEMALE	MPa 42	mm -	61,5		27	M22X1,5	8	14	kg 0,258	NC16H03S001	
	Psi 6090	inch -	2,42	M36X2	1,06		0,31	0,55	lb 0,57		
QC VGA 16S MALE	MPa 42	mm 43	72	-	27	M24X1,5	12	16	kg 0,281	NC15H03S002	
	Psi 6090	inch 1,69	2,83		1,06		0,47	0,63	0,63 0,62		
QC VGA 16S FEMALE	MPa 42	mm -	61,5		27	M24X1,5	12	16	kg 0,278	NC16H03S002	
	Psi 6090	inch -	2,42	M36X2	1,06		0,47	0,63	lb 0,61		
QC VGA 16S MALE	MPa 42	mm 48	79	-	34	M24X1,5	12	16	kg 0,374	NC15H04S000	
	Psi 6090	inch 1,89	3,11		1,34		0,47	0,63	0,63 0,82		
QC VGA 16S FEMALE	MPa 42	mm -	78		34	M24X1,5	12	16	kg 0,266	NC16H04S000	
	Psi 6090	inch -	3,07	M42X2	1,34		0,47	0,63	lb 0,59		
QC VGA 20S MALE	MPa 42	mm 48	81	-	34	M30X2	16	20	kg 0,383	NC15H04S001	
	Psi 6090	inch 1,89	3,19		1,34		0,63	0,79	0,79 0,84		
QC VGA 20S FEMALE	MPa 42	mm -	80		34	M30X2	16	20	kg 0,436	NC16H04S001	
	Psi 6090	inch -	3,15	M42X2	1,34		0,63	0,79	lb 0,96		
QC VGA 20S MALE	MPa 35	mm 57	100,5	-	41	M30X2	16	20	kg 0,723	NC15H05S000	
	Psi 5075	inch 2,24	3,96		1,61		0,63	0,79	0,79 1,59		
QC VGA 20S FEMALE	MPa 35	mm -	97		41	M30X2	16	20	kg 0,721	NC16H05S000	
	Psi 5075	inch -	3,82	M48x2	1,61		0,63	0,79	lb 1,59		
QC VGA 25S MALE	MPa 35	mm 57	102,5	-	41	M36X2	20	25	kg 0,742	NC15H05S001	
	Psi 5075	inch 2,24	4,04		1,61		0,79	0,98	0,98 1,64		
QC VGA 25S FEMALE	MPa 35	mm -	99		41	M36X2	20	25	kg 0,74	NC16H05S001	
	Psi 5075	inch -	3,90	M48x2	1,61		0,79	0,98	lb 1,63		
QC VGA 30S MALE	MPa 35	mm 57	104,5	-	46	M42X2	25	30	kg 0,821	NC15H05S002	
	Psi 5075	inch 2,24	4,11		1,81		0,98	1,18	1,18 1,81		
QC VGA 30S FEMALE	MPa 35	mm -	101		46	M42X2	25	30	kg 0,813	NC16H05S002	
	Psi 5075	inch -	3,98	M48x2	1,81		0,98	1,18	lb 1,79		

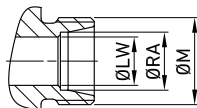


**SCREW-TO-CONNECT-COUPLINGS ISO 14541 (male / female)  
MALE THREAD METRIC ISO 8434-1-L (DIN 2353)**

CS

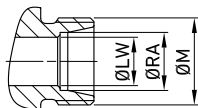
Carbon Steel

TYPE	DN	PN	ØA	C	z	ch	ØM	ØLW	ØRA	WEIGHT	ITEM CODE
QC VGA 8L MALE	6.3	MPa 42	mm 30	61	-	19	M14X1,5	6	8	kg 0,114	NC15L010000
		Psi 6090	inch 1,18	2,40	-	0,75		0,24	0,31	0,31 0,25	
QC VGA 8L FEMALE	6.3	MPa 42	mm -	57,5	M24X2	19	M14X1,5	6	8	kg 0,1	NC16L010000
		Psi 6090	inch -	2,26	-	0,75		0,24	0,31	lb 0,22	
QC VGA 6L MALE	6.3	MPa 42	mm 34	67	-	24	M12X1,5	4	6	kg 0,19	NC15L020000
		Psi 6090	inch 1,34	2,64	-	0,94		0,16	0,24	0,24 0,42	
QC VGA 6L FEMALE	6.3	MPa 42	mm -	60,5	M28X2	24	M12X1,5	4	6	kg 0,166	NC16L020000
		Psi 6090	inch -	2,38	-	0,94		0,16	0,24	lb 0,37	
QC VGA 8L MALE	10	MPa 42	mm 34	67	-	24	M14X1,5	6	8	kg 0,165	NC15L020001
		Psi 6090	inch 1,34	2,64	-	0,94		0,24	0,31	0,31 0,36	
QC VGA 8L FEMALE	10	MPa 42	mm -	60,5	M28X2	24	M14X1,5	6	8	kg 0,167	NC16L020001
		Psi 6090	inch -	2,38	-	0,94		0,24	0,31	lb 0,37	
QC VGA 10L MALE	10	MPa 42	mm 34	68	-	24	M16X1,5	8	10	kg 0,166	NC15L020002
		Psi 6090	inch 1,34	2,68	-	0,94		0,31	0,39	0,39 0,37	
QC VGA 10L FEMALE	10	MPa 42	mm -	61,5	M28X2	24	M16X1,5	8	10	kg 0,173	NC16L020002
		Psi 6090	inch -	2,42	-	0,94		0,31	0,39	lb 0,38	
QC VGA 10L MALE	12.5	MPa 42	mm 43	69	-	27	M16X1,5	8	10	kg 0,247	NC15L030000
		Psi 6090	inch 1,69	2,72	-	1,06		0,31	0,39	0,39 0,54	
QC VGA 10L FEMALE	12.5	MPa 42	mm -	58,5	M36X2	27	M16X1,5	8	10	kg 0,27	NC16L030000
		Psi 6090	inch -	2,30	-	1,06		0,31	0,39	lb 0,60	
QC VGA 12L MALE	12.5	MPa 42	mm 43	69	-	27	M18X1,5	10	12	kg 0,247	NC15L030001
		Psi 6090	inch 1,69	2,72	-	1,06		0,39	0,47	0,47 0,54	
QC VGA 12L FEMALE	12.5	MPa 42	mm -	58,5	M36X2	27	M18X1,5	10	12	kg 0,25	NC16L030001
		Psi 6090	inch -	2,30	-	1,06		0,39	0,47	lb 0,55	
QC VGA 15L MALE	12.5	MPa 42	mm 43	70	-	27	M22X1,5	12	15	kg 0,253	NC15L030002
		Psi 6090	inch 1,69	2,76	-	1,06		0,47	0,59	0,59 0,56	
QC VGA 15L FEMALE	12.5	MPa 42	mm -	59,5	M36X2	27	M22X1,5	12	15	kg 0,251	NC16L030002
		Psi 6090	inch -	2,34	-	1,06		0,47	0,59	lb 0,55	
QC VGA 18L MALE	12.5	MPa 42	mm 43	70	-	27	M26X1,5	15	18	kg 0,258	NC15L030003
		Psi 6090	inch 1,69	2,76	-	1,06		0,59	0,71	0,71 0,57	
QC VGA 18L FEMALE	12.5	MPa 42	mm -	59,5	M36X2	27	M26X1,5	15	18	kg 0,261	NC16L030003
		Psi 6090	inch -	2,34	-	1,06		0,59	0,71	lb 0,58	



## SCREW-TO-CONNECT-COUPLINGS ISO 14541 (male / female) MALE THREAD METRIC ISO 8434-1-L (DIN 2353)

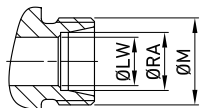
TYPE	DN	PN	ØA	C	z	ch	ØM	ØLW	ØRA	WEIGHT	ITEM CODE
QC VGA 18L MALE	20	MPa 42	mm 48	77	-	34	M26X1,5	15	18	kg 0,372	NC15L040000
		Psi 6090	inch 1,89	3,03		1,34		0,59	0,71	0,71 0,82	
QC VGA 18L FEMALE		MPa 42	mm -	76	M42X2	34	M26X1,5	15	18	kg 0,424	NC16L040000
		Psi 6090	inch -	2,99		1,34		0,59	0,71	lb 0,93	
QC VGA 22L MALE		MPa 42	mm 48	79	-	34	M30X2	19	22	kg 0,375	NC15L040001
		Psi 6090	inch 1,89	3,11		1,34		0,75	0,87	0,87 0,83	
QC VGA 22L FEMALE		MPa 42	mm -	78	M42X2	34	M30X2	19	22	kg 0,854	NC16L040001
		Psi 6090	inch -	3,07		1,34		0,75	0,87	lb 1,88	
QC VGA 22L MALE		MPa 35	mm 57	98,5	-	41	M30X2	19	22	kg 0,708	NC15L050000
		Psi 5075	inch 2,24	3,88		1,61		0,75	0,87	0,87 1,56	
QC VGA 22L FEMALE	MPa 35	mm -	95	M48X2	41	M30X2	19	22	kg 0,701	NC16L050000	
	Psi 5075	inch -	3,74		1,61		0,75	0,87	lb 1,55		
QC VGA 28L MALE	MPa 35	mm 57	98,5	-	41	M36X2	24	28	kg 0,707	NC15L050001	
	Psi 5075	inch 2,24	3,88		1,61		0,94	1,10	1,10 1,56		
QC VGA 28L FEMALE	MPa 35	mm -	95	M48X2	41	M36X2	24	28	kg 0,7	NC16L050001	
	Psi 5075	inch -	3,74		1,61		0,94	1,10	lb 1,54		
QC VGA 35L MALE	MPa 35	mm 57	100	-	46	M45X2	30	35	kg 0,784	NC15L050002	
	Psi 5075	inch 2,24	3,94		1,81		1,18	1,38	1,38 1,73		
QC VGA 35L FEMALE	MPa 35	mm -	97	M48X2	46	M45X2	30	35	kg 0,777	NC16L050002	
	Psi 5075	inch -	3,82		1,81		1,18	1,38	lb 1,71		



**SCREW-TO-CONNECT-COUPPLINGS ISO 14541 (male / female)  
MALE THREAD METRIC ISO 8434-1-L (DIN 2353)**

**SS**  
Stainless Steel

TYPE	DN	PN	ØA	C	z	ch	ØM	ØLW	ØRA	WEIGHT	ITEM CODE
QC VGA 8L MALE	6.3	MPa 42	mm 30	61	-	19	M14X1,5	6	8	kg 0,114	NC15L01S000
		Psi 6090	inch 1,18	2,40	-	0,75		0,24	0,31	0,31 0,25	
QC VGA 8L FEMALE	6.3	MPa 42	mm -	50,5	M24X2	19	M14X1,5	6	8	kg 0,1	NC16L01S000
		Psi 6090	inch -	1,99	-	0,75		0,24	0,31	lb 0,22	
QC VGA 6L MALE	6.3	MPa 42	mm 34	67	-	24	M12X1,5	4	6	kg 0,19	NC15L02S000
		Psi 6090	inch 1,34	2,64	-	0,94		0,16	0,24	0,24 0,42	
QC VGA 6L FEMALE	6.3	MPa 42	mm -	60,5	M28X2	24	M12X1,5	4	6	kg 0,166	NC16L02S000
		Psi 6090	inch -	2,38	-	0,94		0,16	0,24	lb 0,37	
QC VGA 8L MALE	10	MPa 42	mm 34	67	-	24	M14X1,5	6	8	kg 0,165	NC15L02S001
		Psi 6090	inch 1,34	2,64	-	0,94		0,24	0,31	0,31 0,36	
QC VGA 8L FEMALE	10	MPa 42	mm -	60,5	M28X2	24	M14X1,5	6	8	kg 0,167	NC16L02S001
		Psi 6090	inch -	2,38	-	0,94		0,24	0,31	lb 0,37	
QC VGA 10L MALE	10	MPa 42	mm 34	68	-	24	M16X1,5	8	10	kg 0,166	NC15L02S002
		Psi 6090	inch 1,34	2,68	-	0,94		0,31	0,39	0,39 0,37	
QC VGA 10L FEMALE	10	MPa 42	mm -	61,5	M28X2	24	M16X1,5	8	10	kg 0,173	NC16L0S0002
		Psi 6090	inch -	2,42	-	0,94		0,31	0,39	lb 0,38	
QC VGA 10L MALE	12.5	MPa 42	mm 43	69	-	27	M16X1,5	8	10	kg 0,247	NC15L03S000
		Psi 6090	inch 1,69	2,72	-	1,06		0,31	0,39	0,39 0,54	
QC VGA 10L FEMALE	12.5	MPa 42	mm -	58,5	M36X2	27	M16X1,5	8	10	kg 0,27	NC16L03S000
		Psi 6090	inch -	2,30	-	1,06		0,31	0,39	lb 0,60	
QC VGA 12L MALE	12.5	MPa 42	mm 43	69	-	27	M18X1,5	10	12	kg 0,247	NC15L03S001
		Psi 6090	inch 1,69	2,72	-	1,06		0,39	0,47	0,47 0,54	
QC VGA 12L FEMALE	12.5	MPa 42	mm -	58,5	M36X2	27	M18X1,5	10	12	kg 0,25	NC16L03S001
		Psi 6090	inch -	2,30	-	1,06		0,39	0,47	lb 0,55	
QC VGA 15L MALE	12.5	MPa 42	mm 43	70	-	27	M22X1,5	12	15	kg 0,253	NC15L03S002
		Psi 6090	inch 1,69	2,76	-	1,06		0,47	0,59	0,59 0,56	
QC VGA 15L FEMALE	12.5	MPa 42	mm -	59,5	M36X2	27	M22X1,5	12	15	kg 0,251	NC16L03S002
		Psi 6090	inch -	2,34	-	1,06		0,47	0,59	lb 0,55	
QC VGA 18L MALE	12.5	MPa 42	mm 43	70	-	27	M26X1,5	15	18	kg 0,258	NC15L03S003
		Psi 6090	inch 1,69	2,76	-	1,06		0,59	0,71	0,71 0,57	
QC VGA 18L FEMALE	12.5	MPa 42	mm -	59,5	M36X2	27	M26X1,5	15	18	kg 0,261	NC16L03S003
		Psi 6090	inch -	2,34	-	1,06		0,59	0,71	lb 0,58	

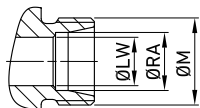


## SCREW-TO-CONNECT-COUPPLINGS ISO 14541 (male / female) MALE THREAD METRIC ISO 8434-1-L (DIN 2353)

SS

Stainless Steel

TYPE	DN	PN	ØA	C	z	ch	ØM	ØLW	ØRA	WEIGHT	ITEM CODE
QC VGA 18L MALE	20	MPa 42	mm 48	77	-	34	M26X1,5	15	18	kg 0,372	NC15L04S000
		Psi 6090	inch 1,89	3,03	-	1,34		0,59	0,71	0,71 0,82	
QC VGA 18L FEMALE		MPa 42	mm -	76	M42X2	34	M26X1,5	15	18	kg 0,424	NC16L04S000
		Psi 6090	inch -	2,99		1,34		0,59	0,71	lb 0,93	
QC VGA 22L MALE		MPa 42	mm 48	79	-	34	M30X2	19	22	kg 0,375	NC15L04S001
		Psi 6090	inch 1,89	3,11	-	1,34		0,75	0,87	0,87 0,83	
QC VGA 22L FEMALE		MPa 42	mm -	78	M42X2	34	M30X2	19	22	kg 0,854	NC16L04S001
		Psi 6090	inch -	3,07		1,34		0,75	0,87	lb 1,88	
QC VGA 22L MALE		MPa 35	mm 57	98,5	-	41	M30X2	19	22	kg 0,708	NC15L05S000
		Psi 5075	inch 2,24	3,88	-	1,61		0,75	0,87	0,87 1,56	
QC VGA 22L FEMALE	MPa 35	mm -	95	M48X2	41	M30X2	19	22	kg 0,701	NC16L05S000	
	Psi 5075	inch -	3,74		1,61		0,75	0,87	lb 1,55		
QC VGA 28L MALE	MPa 35	mm 57	98,5	-	41	M36X2	24	28	kg 0,707	NC15L05S001	
	Psi 5075	inch 2,24	3,88	-	1,61		0,94	1,10	1,10 1,56		
QC VGA 28L FEMALE	MPa 35	mm -	95	M48X2	41	M36X2	24	28	kg 0,7	NC16L05S001	
	Psi 5075	inch -	3,74		1,61		0,94	1,10	lb 1,54		
QC VGA 35L MALE	MPa 35	mm 57	100	-	46	M45X2	30	35	kg 0,784	NC15L05S002	
	Psi 5075	inch 2,24	3,94	-	1,81		1,18	1,38	1,38 1,73		
QC VGA 35L FEMALE	MPa 35	mm -	97	M48X2	46	M45X2	30	35	kg 0,777	NC16L05S002	
	Psi 5075	inch -	3,82		1,81		1,18	1,38	lb 1,71		



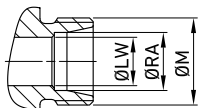
**SCREW-TO-CONNECT-COUPLINGS ISO 14541 (male / female)  
MALE THREAD METRIC ISO 8434-1-S (DIN 2353) BULKHEAD**

CS

Carbon Steel

TYPE	DN	PN	ØA	C	z	ch	ØM	ØLW	ØRA	WEIGHT	ITEM CODE	
QC VGA 10S BK MALE	12,5	MPa 42	mm 43	85	-	27	M18X1,5	7	10	kg 0,453	NC15I030000	
		Psi 6090	inch 1,69	3,35		1,06		0,28	0,39	lb 1,00		
QC VGA 10S BK FEMALE		MPa 42	mm -	74,5		M36X2	27	M18X1,5	7	10	kg 0,271	NC16I030000
		Psi 6090	inch -	2,93			1,06		0,28	0,39	lb 0,60	
QC VGA 12S BK MALE		MPa 42	mm 43	85	-	27	M20X1,5	8	12	kg 0,457	NC15I030001	
		Psi 6090	inch 1,69	3,35		1,06		0,31	0,47	lb 1,01		
QC VGA 12S BK FEMALE		MPa 42	mm -	74,5		M36X2	27	M20X1,5	8	12	kg 0,275	NC16I030001
		Psi 6090	inch -	2,93			1,06		0,31	0,47	lb 0,61	
QC VGA 16S BK MALE		MPa 42	mm 43	87	-	27	M24X1,5	12	16	kg 0,471	NC15I030002	
		Psi 6090	inch 1,69	3,43		1,06		0,47	0,63	lb 1,04		
QC VGA 16S BK FEMALE		MPa 42	mm -	76,5		M36X2	27	M24X1,5	12	16	kg 0,283	NC16I030002
		Psi 6090	inch -	3,01			1,06		0,47	0,63	lb 0,62	
QC VGA 16S BK MALE	MPa 42	mm 48	94	-	34	M24X1,5	12	16	kg 0,674	NC15I040000		
	Psi 6090	inch 1,89	3,70		1,34		0,47	0,63	lb 1,49			
QC VGA 16S BK FEMALE	MPa 42	mm -	93		M42X2	34	M24X1,5	12	16	kg 0,447	NC16I040000	
	Psi 6090	inch -	3,66			1,34		0,47	0,63	lb 0,99		
QC VGA 20S BK MALE	MPa 42	mm 48	103	-	34	M30X2	16	20	kg 0,716	NC15I040001		
	Psi 6090	inch 1,89	4,06		1,34		0,63	0,79	lb 1,58			
QC VGA 20S BK FEMALE	MPa 42	mm -	102		M42X2	34	M30X2	16	20	kg 0,484	NC16I040001	
	Psi 6090	inch -	4,02			1,34		0,63	0,79	lb 1,07		
QC VGA 20S BK MALE	MPa 35	mm 57	122,5	-	41	M30X2	16	20	kg 1,217	NC15I050000		
	Psi 5075	inch 2,24	4,82		1,61		0,63	0,79	lb 2,68			
QC VGA 20S BK FEMALE	MPa 35	mm -	119		M48X2	41	M30X2	16	20	kg 0,749	NC16I050000	
	Psi 5075	inch -	4,69			1,61		0,63	0,79	lb 1,65		
QC VGA 25S BK MALE	MPa 35	mm 57	122,5	-	41	M36X2	20	25	kg 1,398	NC15I050001		
	Psi 5075	inch 2,24	4,82		1,61		0,79	0,98	lb 3,08			
QC VGA 25S BK FEMALE	MPa 35	mm -	119		M48X2	41	M36X2	20	25	kg 0,84	NC16I050001	
	Psi 5075	inch -	4,69			1,61		0,79	0,98	lb 1,85		
QC VGA 30S BK MALE	MPa 35	mm 57	124,5	-	46	M42X2	25	30	kg 1,566	NC15I050002		
	Psi 5075	inch 2,24	4,90		1,81		0,98	1,18	lb 3,45			
QC VGA 30S BK FEMALE	MPa 35	mm -	121		M48X2	46	M42X2	25	30	kg 0,948	NC16I050002	
	Psi 5075	inch -	4,76			1,81		0,98	1,18	lb 2,09		



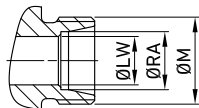


## SCREW-TO-CONNECT-COUPPLINGS ISO 14541 (male / female) MALE THREAD METRIC ISO 8434-1-S (DIN 2353) BULKHEAD

SS

Stainless Steel

TYPE	DN	PN	ØA	C	z	ch	ØM	ØLW	ØRA	WEIGHT	ITEM CODE
QC VGA 10S BK MALE	12,5	MPa 42	mm 43	85	-	27	M18X1,5	7	10	kg 0,453	NC15103S000
		Psi 6090	inch 1,69	3,35		1,06		0,28	0,39	lb 1,00	
QC VGA 10S BK FEMALE		MPa 42	mm -	74,5	M36X2	27	M18X1,5	7	10	kg 0,271	NC16103S000
		Psi 6090	inch -	2,93		1,06		0,28	0,39	lb 0,60	
QC VGA 12S BK MALE		MPa 42	mm 43	85	-	27	M20X1,5	8	12	kg 0,457	NC15103S001
		Psi 6090	inch 1,69	3,35		1,06		0,31	0,47	lb 1,01	
QC VGA 12S BK FEMALE		MPa 42	mm -	74,5	M36X2	27	M20X1,5	8	12	kg 0,275	NC16103S001
		Psi 6090	inch -	2,93		1,06		0,31	0,47	lb 0,61	
QC VGA 16S BK MALE		MPa 42	mm 43	87	-	27	M24X1,5	12	16	kg 0,471	NC15103S002
		Psi 6090	inch 1,69	3,43		1,06		0,47	0,63	lb 1,04	
QC VGA 16S BK FEMALE		MPa 42	mm -	76,5	M36X2	27	M24X1,5	12	16	kg 0,283	NC16103S002
		Psi 6090	inch -	3,01		1,06		0,47	0,63	lb 0,62	
QC VGA 16S BK MALE	MPa 42	mm 48	94	-	34	M24X1,5	12	16	kg 0,674	NC15104S000	
	Psi 6090	inch 1,89	3,70		1,34		0,47	0,63	lb 1,49		
QC VGA 16S BK FEMALE	MPa 42	mm -	93	M42X2	34	M24X1,5	12	16	kg 0,447	NC16104S000	
	Psi 6090	inch -	3,66		1,34		0,47	0,63	lb 0,99		
QC VGA 20S BK MALE	MPa 42	mm 48	103	-	34	M30X2	16	20	kg 0,716	NC15104S001	
	Psi 6090	inch 1,89	4,06		1,34		0,63	0,79	lb 1,58		
QC VGA 20S BK FEMALE	MPa 42	mm -	102	M42X2	34	M30X2	16	20	kg 0,484	NC16104S001	
	Psi 6090	inch -	4,02		1,34		0,63	0,79	lb 1,07		
QC VGA 20S BK MALE	MPa 35	mm 57	122,5	-	41	M30X2	16	20	kg 1,217	NC15105S000	
	Psi 5075	inch 2,24	4,82		1,61		0,63	0,79	lb 2,68		
QC VGA 20S BK FEMALE	MPa 35	mm -	119	M48X2	41	M30X2	16	20	kg 0,749	NC16105S000	
	Psi 5075	inch -	4,69		1,61		0,63	0,79	lb 1,65		
QC VGA 25S BK MALE	MPa 35	mm 57	122,5	-	41	M36X2	20	25	kg 1,398	NC15105S001	
	Psi 5075	inch 2,24	4,82		1,61		0,79	0,98	lb 3,08		
QC VGA 25S BK FEMALE	MPa 35	mm -	119	M48X2	41	M36X2	20	25	kg 0,84	NC16105S001	
	Psi 5075	inch -	4,69		1,61		0,79	0,98	lb 1,85		
QC VGA 30S BK MALE	MPa 35	mm 57	124,5	-	46	M42X2	25	30	kg 1,566	NC15105S002	
	Psi 5075	inch 2,24	4,90		1,81		0,98	1,18	lb 3,45		
QC VGA 30S BK FEMALE	MPa 35	mm -	121	M48X2	46	M42X2	25	30	kg 0,948	NC16105S002	
	Psi 5075	inch -	4,76		1,81		0,98	1,18	lb 2,09		

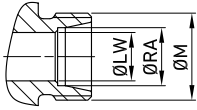


**SCREW-TO-CONNECT-COUPPLINGS ISO 14541 (male / female)  
MALE THREAD METRIC ISO 8434-1-L (DIN 2353) BULKHEAD**

CS

Carbon Steel

TYPE	DN	PN	ØA	C	z	ch	ØM	ØLW	ØRA	WEIGHT	ITEM CODE
QC VGA 8L BK MALE	10	MPa 42	mm 34	82		24	M14X1,5	6	8	kg 0,173	NC15M020000
		Psi 6090	inch 1,34	3,23		0,94		0,24	0,31	0,31 0,38	
QC VGA 8L BK FEMALE		MPa 42	mm -	75,5	M28X2	24	M14X1,5	6	8	kg 0,161	NC16M020000
		Psi 6090	inch -	2,97		0,94		0,24	0,31	lb 0,35	
QC VGA 10L BK MALE		MPa 42	mm 34	83		24	M16X1,5	8	10	kg 0,175	NC15M020001
		Psi 6090	inch 1,34	3,27		0,94		0,31	0,39	0,39 0,39	
QC VGA 10L BK FEMALE		MPa 42	mm -	76,5	M28X2	24	M16X1,5	8	10	kg 0,178	NC16M020001
		Psi 6090	inch -	3,01		0,94		0,31	0,39	lb 0,39	
QC VGA 10L BK MALE		MPa 42	mm 43	84		27	M16X1,5	8	10	kg 0,261	NC15M030000
		Psi 6090	inch 1,69	3,31		1,06		0,31	0,39	0,47 0,58	
QC VGA 10L BK FEMALE		MPa 42	mm -	73,5	M36X2	27	M16X1,5	8	10	kg 0,289	NC16M030000
		Psi 6090	inch -	2,89		1,06		0,31	0,39	lb 0,64	
QC VGA 12L BK MALE	MPa 42	mm 43	85		27	M18X1,5	10	12	kg 0,263	NC15M030001	
	Psi 6090	inch 1,69	3,35		1,06		0,39	0,47	0,55 0,58		
QC VGA 12L BK FEMALE	MPa 42	mm -	74,5	M36X2	27	M18X1,5	10	12	kg 0,266	NC16M030001	
	Psi 6090	inch -	2,93		1,06		0,39	0,47	lb 0,59		
QC VGA 15L BK MALE	MPa 42	mm 43	85		27	M22X1,5	12	15	kg 0,271	NC15M030002	
	Psi 6090	inch 1,69	3,35		1,06		0,47	0,59	0,55 0,60		
QC VGA 15L BK FEMALE	MPa 42	mm -	74,5	M36X2	27	M22X1,5	12	15	kg 0,274	NC16M030002	
	Psi 6090	inch -	2,93		1,06		0,47	0,59	0,55 0,60		
QC VGA 18L BK MALE	MPa 42	mm 43	85		27	M26X1,5	15	18	kg 0,279	NC15M030003	
	Psi 6090	inch 1,69	3,35		1,06		0,59	0,71	0,63 0,62		
QC VGA 18L BK FEMALE	MPa 42	mm -	74,5	M36X2	27	M26X1,5	15	18	kg 0,282	NC16M030003	
	Psi 6090	inch -	2,93		1,06		0,59	0,71	lb 0,62		
QC VGA 15L BK MALE	MPa 42	mm 48	92		34	M22X1,5	12	15	kg 0,385	NC15M040000	
	Psi 6090	inch 1,89	3,62		1,34		0,47	0,59	0,63 0,85		
QC VGA 15L BK FEMALE	MPa 42	mm -	91	M42X2	34	M22X1,5	12	15	kg 0,438	NC16M040000	
	Psi 6090	inch -	3,58		1,34		0,47	0,59	lb 0,97		
QC VGA 18L BK MALE	MPa 42	mm 48	92		34	M26X1,5	15	18	kg 0,398	NC15M040001	
	Psi 6090	inch 1,89	3,62		1,34		0,59	0,71	0,79 0,88		
QC VGA 18L BK FEMALE	MPa 42	mm -	91	M42X2	34	M26X1,5	15	18	kg 0,446	NC16M040001	
	Psi 6090	inch -	3,58		1,34		0,59	0,71	lb 0,98		
QC VGA 22L BK MALE	MPa 42	mm 48	99		34	M30X2	19	22	kg 0,413	NC15M040002	
	Psi 6090	inch 1,89	3,90		1,34		0,75	0,87	0,79 0,91		
QC VGA 22L BK FEMALE	MPa 42	mm -	98	M42X2	34	M30X2	19	22	kg 0,466	NC16M040002	
	Psi 6090	inch -	3,86		1,34		0,75	0,87	lb 1,03		
QC VGA 22L BK MALE	MPa 35	mm 57	118,5		41	M30X2	19	22	kg 0,767	NC15M050000	
	Psi 5075	inch 2,24	4,67		1,61		0,75	0,87	0,98 1,69		
QC VGA 22L BK FEMALE	MPa 35	mm -	115	M48x2	41	M30X2	19	22	kg 0,764	NC16M050000	
	Psi 5075	inch -	4,53		1,61		0,75	0,87	lb 1,68		
QC VGA 28L BK MALE	MPa 35	mm 57	118,5		41	M36X2	24	28	kg 0,786	NC15M050001	
	Psi 5075	inch 2,24	4,67		1,61		0,94	1,10	1,18 1,73		
QC VGA 28L BK FEMALE	MPa 35	mm -	115	M48x2	41	M36X2	24	28	kg 0,784	NC16M050001	
	Psi 5075	inch -	4,53		1,61		0,94	1,10	lb 1,73		



## SCREW-TO-CONNECT-COUPPLINGS ISO 14541 (male / female) MALE THREAD METRIC ISO 8434-1-L (DIN 2353) BULKHEAD

**SS**  
Stainless Steel

TYPE	DN	PN	ØA	C	z	ch	ØM	ØLW	ØRA	WEIGHT	ITEM CODE
QC VGA 8L BK MALE	10	MPa 42	mm 34	82		24	M14X1,5	6	8	kg 0,173	NC15M02S000
		Psi 6090	inch 1,34	3,23		0,00		0,94	0,24	0,31 0,38	
QC VGA 8L BK FEMALE		MPa 42	mm -	75,5	M28X2	24	M14X1,5	6	8	kg 0,161	NC16M02S000
		Psi 6090	inch -	2,97		0,94		0,24	0,31	lb 0,35	
QC VGA 10L BK MALE		MPa 42	mm 34	83		24	M16X1,5	8	10	kg 0,175	NC15M02S001
		Psi 6090	inch 1,34	3,27		0,00		0,94	0,31	0,39 0,39	
QC VGA 10L BK FEMALE		MPa 42	mm -	76,5	M28X2	24	M16X1,5	8	10	kg 0,178	NC16M02S001
		Psi 6090	inch -	3,01		0,94		0,31	0,39	lb 0,39	
QC VGA 10L BK MALE		MPa 42	mm 43	84		27	M16X1,5	8	10	kg 0,261	NC15M03S000
		Psi 6090	inch 1,69	3,31		0,00		1,06	0,31	0,39 0,58	
QC VGA 10L BK FEMALE	MPa 42	mm -	73,5	M36X2	27	M16X1,5	8	10	kg 0,289	NC16M03S000	
	Psi 6090	inch -	2,89		1,06		0,31	0,39	lb 0,64		
QC VGA 12L BK MALE	MPa 42	mm 43	85		27	M18X1,5	10	12	kg 0,263	NC15M03S001	
	Psi 6090	inch 1,69	3,35		0,00		1,06	0,39	0,47 0,58		
QC VGA 12L BK FEMALE	MPa 42	mm -	74,5	M36X2	27	M18X1,5	10	12	kg 0,266	NC16M03S001	
	Psi 6090	inch -	2,93		1,06		0,39	0,47	lb 0,59		
QC VGA 15L BK MALE	MPa 42	mm 43	85		27	M22X1,5	12	15	kg 0,271	NC15M03S002	
	Psi 6090	inch 1,69	3,35		0,00		1,06	0,47	0,59 0,60		
QC VGA 15L BK FEMALE	MPa 42	mm -	74,5	M36X2	27	M22X1,5	12	15	kg 0,274	NC16M03S002	
	Psi 6090	inch -	2,93		1,06		0,47	0,59	0,55 0,60		
QC VGA 18L BK MALE	MPa 42	mm 43	85		27	M26X1,5	15	18	kg 0,279	NC15M03S003	
	Psi 6090	inch 1,69	3,35		0,00		1,06	0,59	0,71 0,62		
QC VGA 18L BK FEMALE	MPa 42	mm -	74,5	M36X2	27	M26X1,5	15	18	kg 0,282	NC16M03S003	
	Psi 6090	inch -	2,93		1,06		0,59	0,71	lb 0,62		
QC VGA 15L BK MALE	MPa 42	mm 48	92		34	M22X1,5	12	15	kg 0,385	NC15M04S000	
	Psi 6090	inch 1,89	3,62		0,00		1,34	0,47	0,59 0,85		
QC VGA 15L BK FEMALE	MPa 42	mm -	91	M42X2	34	M22X1,5	12	15	kg 0,438	NC16M04S000	
	Psi 6090	inch -	3,58		1,34		0,47	0,59	lb 0,97		
QC VGA 18L BK MALE	MPa 42	mm 48	92		34	M26X1,5	15	18	kg 0,398	NC15M04S001	
	Psi 6090	inch 1,89	3,62		0,00		1,34	0,59	0,71 0,88		
QC VGA 18L BK FEMALE	MPa 42	mm -	91	M42X2	34	M26X1,5	15	18	kg 0,446	NC16M04S001	
	Psi 6090	inch -	3,58		1,34		0,59	0,71	lb 0,98		
QC VGA 22L BK MALE	MPa 42	mm 48	99		34	M30X2	19	22	kg 0,413	NC15M04S002	
	Psi 6090	inch 1,89	3,90		0,00		1,34	0,75	0,87 0,91		
QC VGA 22L BK FEMALE	MPa 42	mm -	98	M42X2	34	M30X2	19	22	kg 0,466	NC16M04S002	
	Psi 6090	inch -	3,86		1,34		0,75	0,87	lb 1,03		
QC VGA 22L BK MALE	MPa 35	mm 57	118,5		41	M30X2	19	22	kg 0,767	NC15M05S000	
	Psi 5075	inch 2,24	4,67		0,00		1,61	0,75	0,87 1,69		
QC VGA 22L BK FEMALE	MPa 35	mm -	115	M48x2	41	M30X2	19	22	kg 0,764	NC16M05S000	
	Psi 5075	inch -	4,53		1,61		0,75	0,87	lb 1,68		
QC VGA 28L BK MALE	MPa 35	mm 57	118,5		41	M36X2	24	28	kg 0,786	NC15M05S001	
	Psi 5075	inch 2,24	4,67		0,00		1,61	0,94	1,10 1,73		
QC VGA 28L BK FEMALE	MPa 35	mm -	115	M48x2	41	M36X2	24	28	kg 0,784	NC16M05S001	
	Psi 5075	inch -	4,53		1,61		0,94	1,10	lb 1,73		



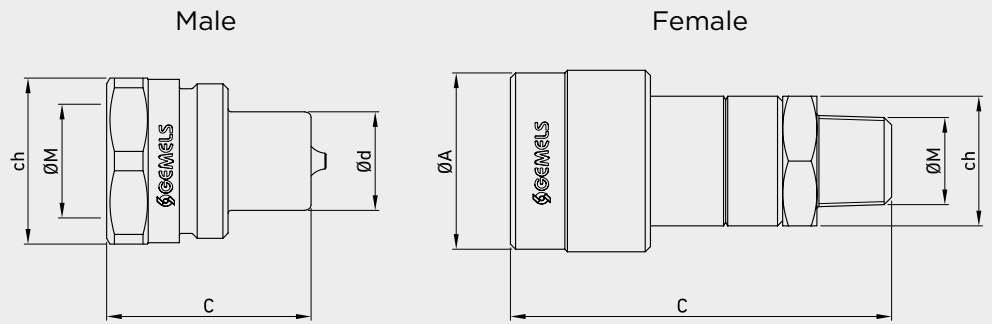
# VGB

ISO 14540 - WITH POPPET/BALL

Edition. 21.4

## CS Carbon Steel

- Type: Quick Couplings
- Models: ISO 14540
- Sizes: from DN6 up to DN10
- Pressure: up to PN700
- Treatment: Galvanized



**Available also  
in patented version:**  
ball valve with integrated  
quick coupling.



**CODE DESCRIPTION STRUCTURE**

<b>QC</b>	<b>N1/4</b>	<b>1M/F</b>	<b>DN12,5</b>	<b>1</b>	<b>B</b>
-----------	-------------	-------------	---------------	----------	----------

**Type of coupling** \_\_\_\_\_

VGB

**Ends** \_\_\_\_\_

ASME B1.20.1 NPT FEMALE    ASME B1.20.1 NPT MALE

N 1/4    N 1/4 M  
N 3/8    N 3/8 M

MALE \_\_\_\_\_  
FEMALE \_\_\_\_\_

**DN/ISO** \_\_\_\_\_

6,3  
10

**Body Material** \_\_\_\_\_

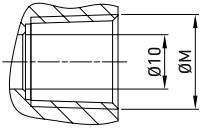
● **1** = 1,0737

**Seal material** \_\_\_\_\_

● **B** = NBR    **E** = FKM\*

\*On request

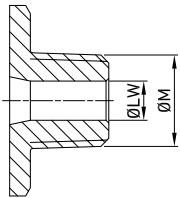
- Caps
- Plugs  
with ball instead of poppet



**QUICK COUPLINGS ISO 14540 VGB (MALE/FEMALE)  
FEMALE THREAD ASME B1.20.1 NPT WITH POPPET**

CS  
Carbon  
Steel

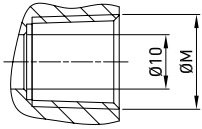
TYPE	DN	PN	ØA	C	Ød	ch	ØM	WEIGHT	ITEM CODE
QC VGB N 1/4 POPPET MALE	6.3	MPa 70	mm -	32,5	15,8	19	NPT 1/4	kg 0,072	NC17N010000
		Psi 10150	inch -	1,28	0,62			lb 0,16	
QC VGB N 1/4 POPPET FEMALE	6.3	MPa 70	mm 28	58,1	-	19	NPT 1/4	kg 0,137	NC18N010000
		Psi 10150	inch 1,10	2,29	-			lb 0,30	
QC VGB N 3/8 POPPET MALE	10	MPa 70	mm -	35	19	32	NPT 3/8	kg 0,111	NC17N020000
		Psi 10150	inch -	1,38	0,75			lb 0,24	
QC VGB N 3/8 POPPET FEMALE	10	MPa 70	mm 34	68,5	-	27	NPT 3/8	kg 0,287	NC18N020000
		Psi 10150	inch 1,34	2,70	-			lb 0,63	



**QUICK COUPLINGS ISO 14540 VGB (MALE/FEMALE)  
MALE THREAD ASME B1.20.1 NPT WITH POPPET**

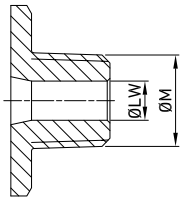
CS  
Carbon  
Steel

TYPE	DN	PN	ØA	C	Ød	ch	ØM	WEIGHT	ITEM CODE
QC VGB N 1/4M POPPET MALE	6.3	MPa 70	mm -	42,9	15,9	19	NPT 1/4	kg 0,104	NC17U010000
		Psi 10150	inch -	1,69	0,63			lb 0,23	
QC VGB N 1/4M POPPET FEMALE	6.3	MPa 70	mm 28,5	60,8	-	22	NPT 1/4	kg 0,113	NC18U010000
		Psi 10150	inch 1,12	2,39	-			lb 0,25	
QC VGB N 3/8M POPPET MALE	10	MPa 70	mm -	46,3	19	25	NPT 3/8	kg 0,14	NC17U020000
		Psi 10150	inch -	1,82	0,75			lb 0,31	
QC VGB N 3/8M POPPET FEMALE	10	MPa 70	mm 35	73,5	-	25	NPT 3/8	kg 0,222	NC18U020000
		Psi 10150	inch 1,38	2,89	-			lb 0,49	



### QUICK COUPLINGS ISO 14540 VGB (MALE/FEMALE) FEMALE THREAD ASME B1.20.1 NPT WITH BALL

TYPE	DN	PN	ØA	C	Ød	ch	ØM	WEIGHT	ITEM CODE
QC VGB N 1/4 BALL MALE	6,3	MPa 70	mm -	32,5	15,8	19	NPT 1/4	kg 0,072	NC17N010001
		Psi 10150	inch -	1,28	0,62			lb 0,16	
QC VGB N 1/4 BALL FEMALE	6,3	MPa 70	mm 28	58,1	-	19	NPT 1/4	kg 0,137	NC18N010002
		Psi 10150	inch 1,10	2,29	-			lb 0,30	
QC VGB N 3/8 BALL MALE	10	MPa 70	mm -	35	19	32	NPT 3/8	kg 0,111	NC17N020001
		Psi 10150	inch -	1,38	0,75			lb 0,24	
QC VGB N 3/8 BALL FEMALE	10	MPa 70	mm 34	68,5	-	27	NPT 3/8	kg 0,287	NC18N020002
		Psi 10150	inch 1,34	2,70	-			lb 0,63	



### QUICK COUPLINGS ISO 14540 VGB (MALE/FEMALE) MALE THREAD ASME B1.20.1 NPT WITH BALL

TYPE	DN	PN	ØA	C	Ød	ch	ØM	WEIGHT	ITEM CODE
QC VGB N 1/4M BALL MALE	6,3	MPa 70	mm -	42,9	15,9	19	NPT 1/4	kg 0,104	NC17U010001
		Psi 10150	inch -	1,69	0,63			lb 0,23	
QC VGB N 1/4M BALL FEMALE	6,3	MPa 70	mm 28,5	60,8	-	22	NPT 1/4	kg 0,113	NC18N010001
		Psi 10150	inch 1,12	2,39	-			lb 0,25	
QC VGB N 3/8M BALL MALE	10	MPa 70	mm -	46,3	19	25	NPT 3/8	kg 0,14	NC17U020001
		Psi 10150	inch -	1,82	0,75			lb 0,31	
QC VGB N 3/8M BALL FEMALE	10	MPa 70	mm 35	73,5	-	25	NPT 3/8	kg 0,222	NC18N020001
		Psi 10150	inch 1,38	2,89	-			lb 0,49	



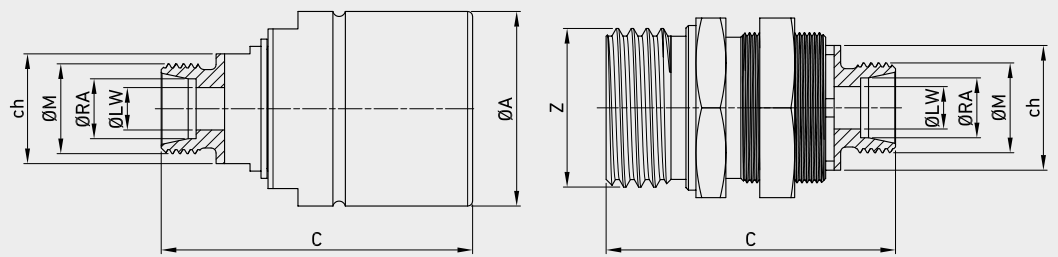
# VGR

## SCREW TO CONNECT COUPLINGS

Edition. 21.0

### CS Carbon Steel

- Type: Quick Couplings
- Models: Screw-to-connect
- Sizes: from DN10 up to DN25
- Pressure: up to PN420







**CODE DESCRIPTION STRUCTURE**

<b>QC</b>	<b>12S</b>	<b>F/M</b>	<b>DN12,5</b>	<b>1</b>	<b>B</b>
-----------	------------	------------	---------------	----------	----------

**Type of coupling**

Screw to connect couplings

**Ends**

ISO 8434-1-S (DIN 2353)    ISO 8434-1-L (DIN 2353)

12S	10L
16S	12L
20S	15L
25S	18L
38S	22L
	28L
	35L

**MALE**

FEMALE

**DN/ISO**

- 10
- 12,5
- 19
- 25

**Body Material**

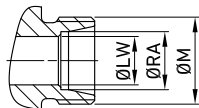
- 1 = 1,0737

**Seal material**

- B = NBR    E = FKM\*

\*On request

- Caps
- Plugs with ball instead of poppet

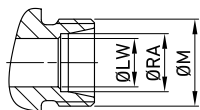


**SCREW-TO-CONNECT-COUPPLINGS (male / female)**  
**MALE THREAD METRIC ISO 8434-1-S (DIN 2353)**

CS

Carbon Steel

TYPE	DN	PN	ØA	C	z	ch	ØM	ØLW	ØRA	WEIGHT	ITEM CODE	
QC VGR 10L MALE	10	MPa 42	mm 39	62,4		22	M16X1,5	8	10	kg 0,551	NC49L020000	
		Psi 6090	inch 1,54	2,46		0,00		0,87	0,31	0,39 1,21		
QC VGR 10L FEMALE		MPa 42	mm -	58		25	M16X1,5	8	10	kg 0,49	NC50L020000	
			Psi 6090	inch -	2,28	M32X3	0,98		0,31	0,39		0,55 1,08
QC VGR 15L MALE		MPa 42	mm 39	63,4		22	M22X1,5	12	15	kg 0,619	NC49L020001	
			Psi 6090	inch 1,54	2,50		0,00		0,87	0,47		0,59 1,36
QC VGR 15L FEMALE		MPa 42	mm -	59		25	M22X1,5	12	15	kg 0,435	NC50L020001	
			Psi 6090	inch -	2,32	M32X3	0,98		0,47	0,59		lb 0,96
QC VGR 15L MALE		12,5	MPa 42	mm 54,5	73,5		24	M22X1,5	12	15	kg 0,849	NC49L030000
			Psi 6090	inch 2,15	2,89		0,00		0,94	0,47	0,59 1,87	
QC VGR 15L FEMALE			MPa 42	mm -	64,7		32	M22X1,5	12	15	kg 0,655	NC50L030000
				Psi 6090	inch -	2,55	M36X3	1,26		0,47	0,59	
QC VGR 15L MALE	MPa 42		mm 66	79		32	M22X1,5	12	15	kg 1,061	NC49LA30000	
			Psi 6090	inch 2,60	3,11		0,00		1,26	0,47		0,59 2,34
QC VGR 15L FEMALE	MPa 42	mm -	75,2		32	M22X1,5	12	15	kg 0,911	NC50LA30000		
		Psi 6090	inch -	2,96	M48X3	1,26		0,47	0,59		lb 2,01	
QC VGR 18L MALE	MPa 42	mm 66	79		32	M26X1,5	15	18	kg 1,186	NC49LA30001		
		Psi 6090	inch 2,60	3,11		0,00		1,26	0,59		0,71 2,61	
QC VGR 18L FEMALE	MPa 42	mm -	75,2		32	M26X1,5	15	18	kg 1,036	NC50LA30001		
		Psi 6090	inch -	2,96	M48X3	1,26		0,59	0,71		lb 2,28	
QC VGR 18L MALE	MPa 42	mm 64	103		41	M26X1,5	15	18	kg 1,295	NC49L040000		
		Psi 6090	inch 2,52	4,06		0,00		1,61	0,59		0,71 2,85	
QC VGR 18L FEMALE	MPa 42	mm -	91		46	M26X1,5	15	18	kg 1,027	NC50L040000		
		Psi 6090	inch -	3,58	M54X4	1,81		0,59	0,71		lb 2,26	
QC VGR 22L MALE	MPa 42	mm 64	105		41	M30X2	19	22	kg 1,448	NC49L040001		
		Psi 6090	inch 2,52	4,13		0,00		1,61	0,75		0,87 3,19	
QC VGR 22L FEMALE	MPa 42	mm -	93		46	M30X2	19	22	kg 1,161	NC50L040001		
		Psi 6090	inch -	3,66	M54X4	1,81		0,75	0,87		lb 2,56	
QC VGR 28L MALE	MPa 42	mm 64	105		41	M36X2	24	28	kg 1,548	NC49L040002		
		Psi 6090	inch 2,52	4,13		0,00		1,61	0,94		1,10 3,41	
QC VGR 28L FEMALE	MPa 42	mm -	93		46	M36X2	24	28	kg 1,239	NC50L040002		
		Psi 6090	inch -	3,66	M54X4	1,81		0,94	1,10		lb 2,73	
QC VGR 35L MALE	25	MPa 42	mm 91,2	135		55	M45X2	30	35	kg 1,617	NC49L050000	
		Psi 6090	inch 3,59	5,31		0,00		2,17	1,18	1,38 3,56		
QC VGR 35L FEMALE		MPa 42	mm -	118,8		55	M45X2	30	35	kg 1,486	NC50L050000	
			Psi 6090	inch -	4,68	M79X4	2,17		0,00	1,38		lb 3,28



## SCREW-TO-CONNECT-COUPPLINGS (male / female) MALE THREAD METRIC ISO 8434-1-S (DIN 2353)

TYPE	DN	PN	ØA	C	z	ch	ØM	ØLW	ØRA	WEIGHT	ITEM CODE
QC VGA 12S MALE	10	MPa 42	mm 39	63,4		22	M20X1,5	8	12	kg 0,451	NC49H020000
		Psi 6090	inch 1,54	2,50		0,00		0,87	0,31	0,47 0,99	
QC VGA 12S FEMALE	10	MPa 42	mm -	59	M32X3	25	M20X1,5	8	12	kg 0,278	NC50H020000
		Psi 6090	inch -	2,32		0,98		0,31	0,47	0,55 0,61	
QC VGA 16S MALE	12,5	MPa 42	mm 54,5	75,5		24	M24X1,5	12	16	kg 0,57	NC49H030000
		Psi 6090	inch 2,15	2,97		0,00		0,94	0,47	0,63 1,26	
QC VGA 16S FEMALE	12,5	MPa 42	mm -	66,7	M36X3	32	M24X1,5	12	16	kg 0,338	NC50H030000
		Psi 6090	inch -	2,63		1,26		0,47	0,63	lb 0,75	
QC VGA 16S MALE	16	MPa 42	mm 66	81		32	M24X1,5	12	16	kg 0,65	NC49HA30000
		Psi 6090	inch 2,60	3,19		0,00		1,26	0,47	0,63 1,43	
QC VGA 16S FEMALE	16	MPa 42	mm -	77,2	M48X3	32	M24X1,5	12	16	kg 0,408	NC50HA30000
		Psi 6090	inch -	3,04		1,26		0,47	0,63	lb 0,90	
QC VGA 20S MALE	16	MPa 42	mm 66	83		32	M30X2	16	20	kg 0,752	NC49HA30001
		Psi 6090	inch 2,60	3,27		0,00		1,26	0,63	0,79 1,66	
QC VGA 20S FEMALE	16	MPa 42	mm -	79,2	M48X3	32	M30X2	16	20	kg 0,459	NC50HA30001
		Psi 6090	inch -	3,12		1,26		0,63	0,79	lb 1,01	
QC VGA 20S MALE	19	MPa 42	mm 64	107		41	M30X2	16	20	kg 0,873	NC49H040000
		Psi 6090	inch 2,52	4,21		0,00		1,61	0,63	0,79 1,92	
QC VGA 20S FEMALE	19	MPa 42	mm -	95	M54x4	46	M30X2	16	20	kg 0,583	NC50H040000
		Psi 6090	inch -	3,74		1,81		0,63	0,79	lb 1,29	
QC VGA 25S MALE	19	MPa 42	mm 64	109		41	M36X2	20	25	kg 1,007	NC49H040001
		Psi 6090	inch 2,52	4,29		0,00		1,61	0,79	0,98 2,22	
QC VGA 25S FEMALE	19	MPa 42	mm -	97	M54x4	46	M36X2	20	25	kg 0,746	NC50H040001
		Psi 6090	inch -	3,82		1,81		0,79	0,98	lb 1,64	
QC VGA 38S MALE	25	MPa 42	mm 91,2	135		55	M52X2	32	38,3	kg 1,23	NC49H050000
		Psi 6090	inch 3,59	5,31		0,00		2,17	1,26	1,51 2,71	
QC VGA 38S FEMALE	25	MPa 42	mm -	124,8	M79x4	55	M52X2	32	38,3	kg 0,967	NC50H050000
		Psi 6090	inch -	4,91		2,17		1,26	1,51	lb 2,13	



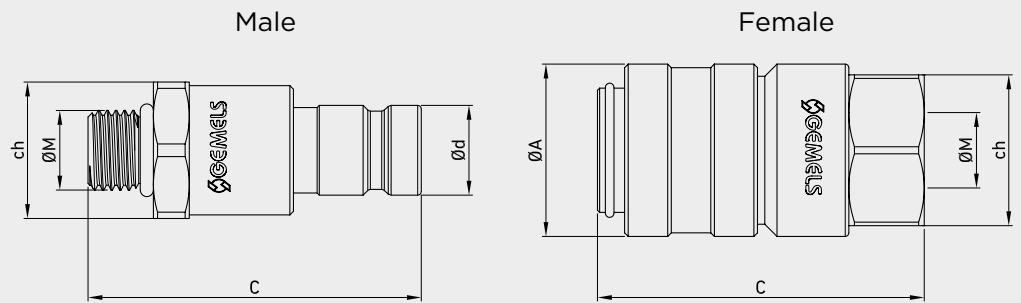
# DG

## ISO 15171-1 - DIAGNOSTIC COUPLINGS

Edition. 21.2

### CS Carbon Steel

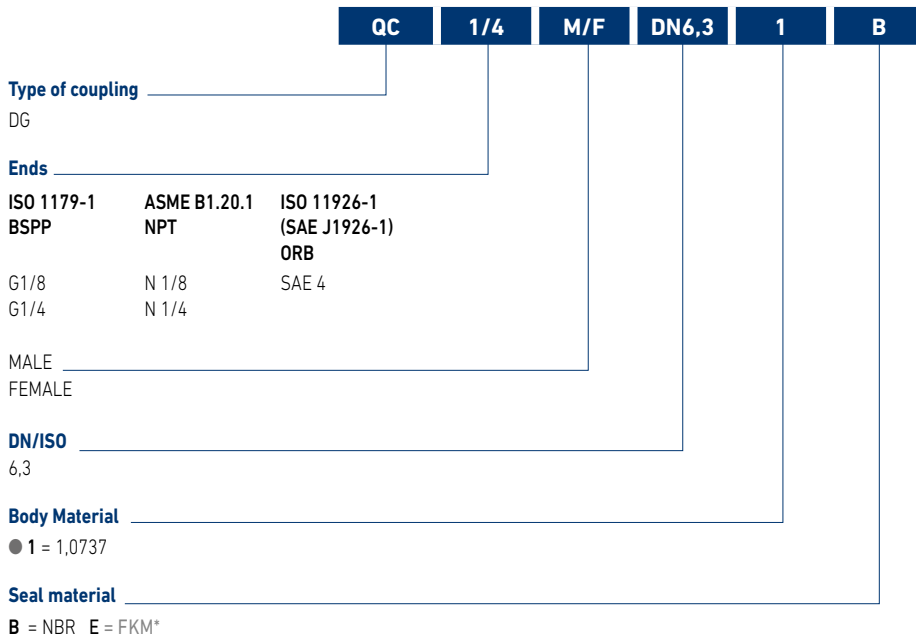
- Type: Quick Couplings
- Models: ISO 15171-1
- Sizes: from DN6
- Pressure: up to PN500
- Treatment: Galvanized



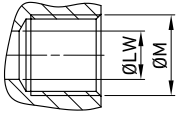
Available also  
in patented version:  
ball valve with integrated  
quick coupling.



**CODE DESCRIPTION STRUCTURE**

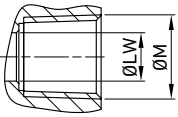


\*On request  
• Plugs



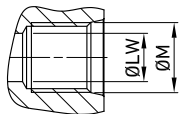
**QUICK COUPLINGS ISO 15171-1 DG (male-female)  
FEMALE THREAD ISO 1179-1 BSPP**

											CS Carbon Steel
TYPE	DN	PN	ØA	C	Ød	ch	ØM	WEIGHT		ITEM CODE	
QC DG G 1/8 MALE	6,3	MPa 50	mm -	42,8	12,6	19	G 1/8	kg	0,039	NC19G010000	
		Psi 7250	inch -	1,69	0,50			lb	0,09		
QC DG G 1/8 FEMALE		MPa 50	mm 24	50	-	21	G 1/8	kg	0,048		NC20G010000
		Psi 7250	inch 0,94	1,97	-			lb	0,11		
QC DG G 1/4 MALE	6,3	MPa 50	mm -	42,8	12,6	19	G 1/4	kg	0,049	NC19G010001	
		Psi 7250	inch -	1,69	0,50			lb	0,11		
QC DG G 1/4 FEMALE		MPa 50	mm 24	50	-	21	G 1/4	kg	0,05		NC20G010001
		Psi 7250	inch 0,94	1,97	-			lb	0,11		



**QUICK COUPLINGS ISO 15171-1 DG (male-female)  
FEMALE THREAD ASME B1.20.1 NPT**

											CS Carbon Steel
TYPE	DN	PN	ØA	C	Ød	ch	ØM	WEIGHT		ITEM CODE	
QC DG N 1/8 MALE	6,3	MPa 50	mm -	42,8	12,6	19	N 1/8	kg	0,039	NC19N010000	
		Psi 7250	inch -	1,69	0,50			lb	0,09		
QC DG N 1/8 FEMALE		MPa 50	mm 24	50	-	21	N 1/8	kg	0,048		NC20N010000
		Psi 7250	inch 0,94	1,97	-			lb	0,11		
QC DG N 1/4 MALE	6,3	MPa 50	mm -	42,8	12,6	19	N 1/4	kg	0,049	NC19N010001	
		Psi 7250	inch -	1,69	0,50			lb	0,11		
QC DG N 1/4 FEMALE		MPa 50	mm 24	50	-	21	N 1/4	kg	0,05		NC20N010001
		Psi 7250	inch 0,94	1,97	-			lb	0,11		



**QUICK COUPLINGS ISO 15171-1 DG (male-female)  
FEMALE THREAD ISO 11926-1 (SAE J1926-1) ORB**

										CS Carbon Steel		
TYPE	DN	PN		ØA	C	Ød	ch	ØM	WEIGHT		ITEM CODE	
QC DG SAE4 MALE	6,3	MPa	50	mm	-	42,8	12,6	19	SAE 4 M	kg	0,049	NC19T010000
		Psi	7250	inch	-	1,69	0,50			lb	0,11	
QC DG SAE 4 FEMALE		MPa	50	mm	24	50	-	21	SAE 4	kg	0,05	NC20S010000
		Psi	7250	inch	0,94	1,97	-			lb	0,11	



# GUS

## QUICK COUPLINGS GUS - US MARKET

Available other different threads on request

Edition. 21.0

### CS Carbon Steel

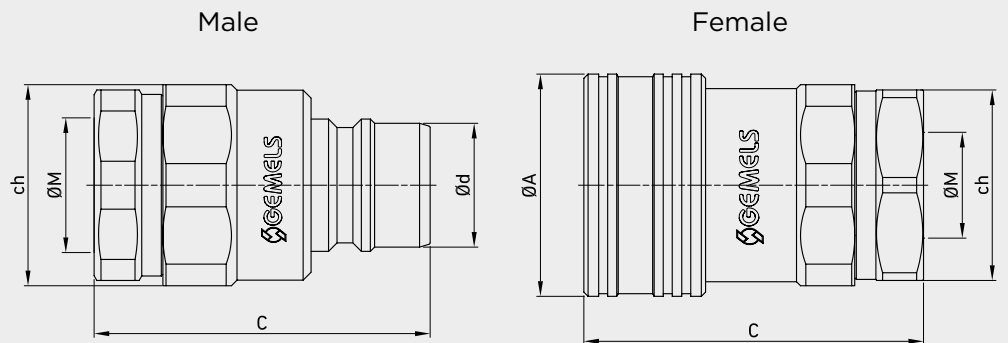
- Type: Quick Couplings
- Models: GUS - US MARKET
- Sizes: from DN6 to DN40
- Pressure: up to PN270
- Treatment: Galvanized

### SS Stainless Steel

- Type: Quick Couplings
- Models: GUS - US MARKET
- Sizes: from DN6 to DN40
- Pressure: up to PN270

### B Brass

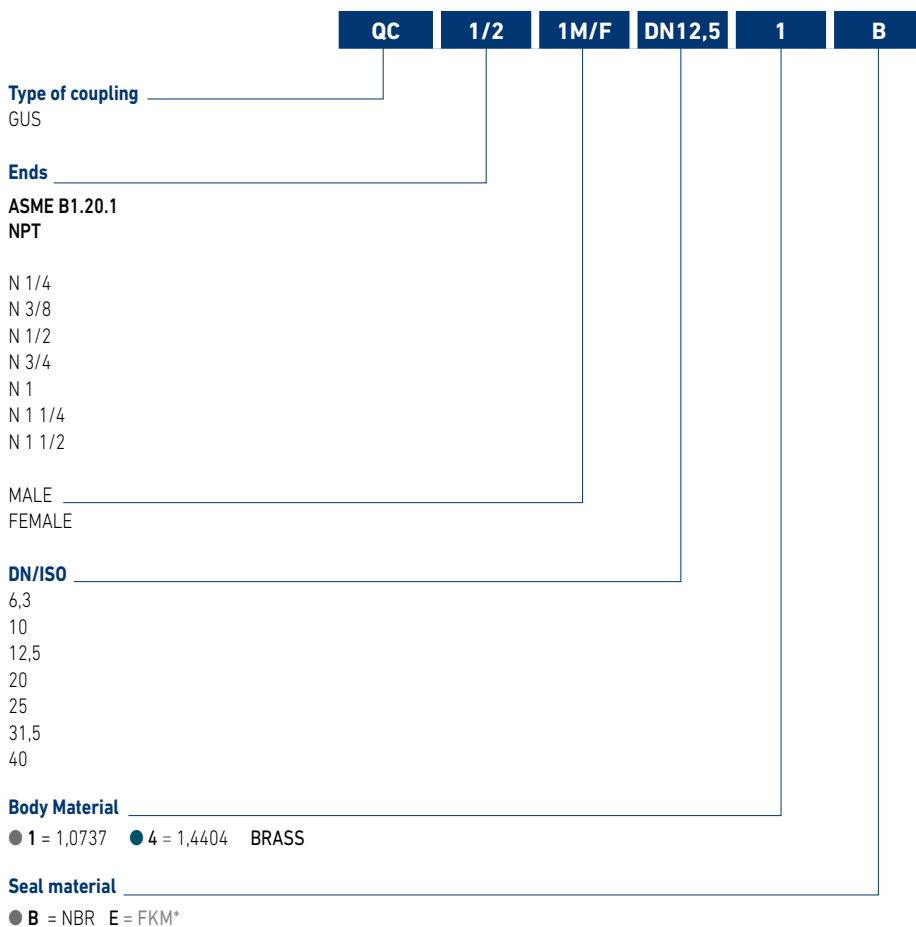
- Type: Quick Couplings
- Models: GUS - US MARKET
- Sizes: from DN6 to DN40
- Pressure: up to PN140

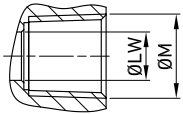






### CODE DESCRIPTION STRUCTURE





**QUICK COUPLINGS GUS US MARKET (male / female)  
FEMALE THREAD ASME B1.20.1 NPT WITH POPPET**

										CS Carbon Steel											SS Stainless Steel
TYPE	DN	PN	ØA	C	Ød	ch	ØM	WEIGHT	ITEM CODE	TYPE	DN	PN	ØA	C	Ød	ch	ØM	WEIGHT	ITEM CODE		
QC GUS N 1/4 MALE	6,3	MPa 27	mm - 49	10,8	22	N1/4		kg 0,08	NC37N010000	QC GUS N 1/4 MALE	6,3	MPa 27	mm - 49	10,8	22	N1/4		kg 0,08	NC37N01S000		
		Psi 3915	inch - 1,93	0,43	0,87			lb 0,18				Psi 3915	inch - 1,93	0,43	0,87			lb 0,18			
QC GUS N 1/4 FEMALE	6,3	MPa 27	mm 24	49,8	- 22	N1/4		kg 0,1	NC38N010000	QC GUS N 1/4 FEMALE	6,3	MPa 27	mm 24	49,8	- 22	N1/4		kg 0,1	NC38N01S000		
		Psi 3915	inch 0,94	1,96	- 0,87			lb 0,22				Psi 3915	inch 0,94	1,96	- 0,87			lb 0,22			
QC GUS N 3/8 MALE	10	MPa 30	mm - 57,3	13	24	N3/8		kg 0,1	NC37N020000	QC GUS N 3/8 MALE	10	MPa 30	mm - 57,3	13	24	N3/8		kg 0,1	NC37N02S000		
		Psi 4350	inch - 2,26	0,51	0,94			lb 0,22				Psi 4350	inch - 2,26	0,51	0,94			lb 0,22			
QC GUS N 3/8 FEMALE	10	MPa 30	mm 27	57,3	- 24	N3/8		kg 0,14	NC38N020000	QC GUS N 3/8 FEMALE	10	MPa 30	mm 27	57,3	- 24	N3/8		kg 0,14	NC38N02S000		
		Psi 4350	inch 1,06	2,26	- 0,94			lb 0,31				Psi 4350	inch 1,06	2,26	- 0,94			lb 0,31			
QC ISO A N 1/2 MALE	12,5	MPa 22	mm - 62,3	16	30	N1/2		kg 0,17	NC37N030000	QC ISO A N 1/2 MALE	12,5	MPa 22	mm - 62,3	16	30	N1/2		kg 0,17	NC37N03S000		
		Psi 3190	inch - 2,45	0,63	1,18			lb 0,37				Psi 3190	inch - 2,45	0,63	1,18			lb 0,37			
QC GUS N 1/2 FEMALE	12,5	MPa 22	mm 34	64,4	- 30	N1/2		kg 0,23	NC38N030000	QC GUS N 1/2 FEMALE	12,5	MPa 22	mm 34	64,4	- 30	N1/2		kg 0,23	NC38N03S000		
		Psi 3190	inch 1,34	2,54	- 1,18			lb 0,51				Psi 3190	inch 1,34	2,54	- 1,18			lb 0,51			
QC GUS N 3/4 MALE	20	MPa 19	mm - 63,5	23,4	36	N3/4		kg 0,24	NC37N040000	QC GUS N 3/4 MALE	20	MPa 19	mm - 63,5	23,4	36	N3/4		kg 0,24	NC37N04S000		
		Psi 2755	inch - 2,50	0,92	1,42			lb 0,53				Psi 2755	inch - 2,50	0,92	1,42			lb 0,53			
QC GUS N 3/4 FEMALE	20	MPa 19	mm 42	64,2	- 36	N3/4		kg 0,35	NC38N040000	QC GUS N 3/4 FEMALE	20	MPa 19	mm 42	64,2	- 36	N3/4		kg 0,35	NC38N04S000		
		Psi 2755	inch 1,65	2,53	- 1,42			lb 0,77				Psi 2755	inch 1,65	2,53	- 1,42			lb 0,77			
QC GUS N 1 MALE	25	MPa 15	mm - 68,4	29,5	46	N 1		kg 0,4	NC37N050000	QC GUS N 1 MALE	25	MPa 15	mm - 68,4	29,5	46	N 1		kg 0,4	NC37N05S000		
		Psi 2175	inch - 2,69	1,16	1,81			lb 0,88				Psi 2175	inch - 2,69	1,16	1,81			lb 0,88			
QC GUS N 1 FEMALE	25	MPa 15	mm 50,5	71	- 46	N 1		kg 0,55	NC38N050000	QC GUS N 1 FEMALE	25	MPa 15	mm 50,5	71	- 46	N 1		kg 0,55	NC38N05S000		
		Psi 2175	inch 1,99	2,80	- 1,81			lb 1,21				Psi 2175	inch 1,99	2,80	- 1,81			lb 1,21			
QC ISO A N 1 1/4 MALE	31,5	MPa 11	mm - 91	36,1	50	N1 1/4		kg 0,6	NC37N060000	QC ISO A N 1 1/4 MALE	31,5	MPa 11	mm - 91	36,1	50	N1 1/4		kg 0,6	NC37N06S000		
		Psi 1595	inch - 3,58	1,42	1,97			lb 1,32				Psi 1595	inch - 3,58	1,42	1,97			lb 1,32			
QC GUS N 1 1/4 FEMALE	31,5	MPa 11	mm 56	96,5	- 50	N1 1/4		kg 0,8	NC38N060000	QC GUS N 1 1/4 FEMALE	31,5	MPa 11	mm 56	96,5	- 50	N1 1/4		kg 0,8	NC38N06S000		
		Psi 1595	inch 2,20	3,80	- 1,97			lb 1,76				Psi 1595	inch 2,20	3,80	- 1,97			lb 1,76			
QC GUS N 1 1/2 MALE	40	MPa 11	mm - 85	43,6	65	N1 1/2		kg 1	NC37N070000	QC GUS N 1 1/2 MALE	40	MPa 11	mm - 85	43,6	65	N1 1/2		kg 1	NC37N07S000		
		Psi 1595	inch - 3,35	1,72	2,56			lb 2,20				Psi 1595	inch - 3,35	1,72	2,56			lb 2,20			
QC GUS N 1 1/2 FEMALE	40	MPa 11	mm 70	90,2	- 65	N1 1/2		kg 1,3	NC38N070000	QC GUS N 1 1/2 FEMALE	40	MPa 11	mm 70	90,2	- 65	N1 1/2		kg 1,3	NC38N07S000		
		Psi 1595	inch 2,76	3,55	- 2,56			lb 2,87				Psi 1595	inch 2,76	3,55	- 2,56			lb 2,87			

Brass

TYPE	DN	PN	ØA	C	Ød	ch	ØM	WEIGHT	ITEM CODE
QC GUS N 1/4 MALE	6,3	MPa 14	mm -	49	10,8	22	N1/4	kg 0,08	NC37N01B000
		Psi 2030	inch -	1,93	0,43	0,87		lb 0,18	
QC GUS N 1/4 FEMALE	6,3	MPa 14	mm 24	49,8	-	22	N1/4	kg 0,1	NC38N01B000
		Psi 2030	inch 0,94	1,96	-	0,87		lb 0,22	
QC GUS N 3/8 MALE	10	MPa 15	mm -	57,3	13	24	N3/8	kg 0,1	NC37N02B000
		Psi 2175	inch -	2,26	0,51	0,94		lb 0,22	
QC GUS N 3/8 FEMALE	10	MPa 15	mm 27	57,3	-	24	N3/8	kg 0,14	NC38N02B000
		Psi 2175	inch 1,06	2,26	-	0,94		lb 0,31	
QC ISO A N 1/2 MALE	12,5	MPa 10	mm -	62,3	16	30	N1/2	kg 0,17	NC37N03B000
		Psi 1450	inch -	2,45	0,63	1,18		lb 0,37	
QC GUS N 1/2 FEMALE	12,5	MPa 10	mm 34	64,4	-	30	N1/2	kg 0,23	NC38N03B000
		Psi 1450	inch 1,34	2,54	-	1,18		lb 0,51	
QC GUS N 3/4 MALE	20	MPa 9,5	mm -	63,5	23,4	36	N3/4	kg 0,24	NC37N04B000
		Psi 1378	inch -	2,50	0,92	1,42		lb 0,53	
QC GUS N 3/4 FEMALE	20	MPa 9,5	mm 42	64,2	-	36	N3/4	kg 0,35	NC38N04B000
		Psi 1378	inch 1,65	2,53	-	1,42		lb 0,77	
QC GUS N 1 MALE	25	MPa 7,5	mm -	68,4	29,5	46	N 1	kg 0,4	NC37N05B000
		Psi 1088	inch -	2,69	1,16	1,81		lb 0,88	
QC GUS N 1 FEMALE	25	MPa 7,5	mm 50,5	71	-	46	N 1	kg 0,55	NC38N05B000
		Psi 1088	inch 1,99	2,80	-	1,81		lb 1,21	
QC ISO A N 1 1/4 MALE	31,5	MPa 5	mm -	91	36,1	50	N1 1/4	kg 0,6	NC37N06B000
		Psi 725	inch -	3,58	1,42	1,97		lb 1,32	
QC GUS N 1 1/4 FEMALE	31,5	MPa 5	mm 56	96,5	-	50	N1 1/4	kg 0,8	NC38N06B000
		Psi 725	inch 2,20	3,80	-	1,97		lb 1,76	
QC GUS N 1 1/2 MALE	40	MPa 5,5	mm -	85	43,6	65	N1 1/2	kg 1	NC37N07B000
		Psi 798	inch -	3,35	1,72	2,56		lb 2,20	
QC GUS N 1 1/2 FEMALE	40	MPa 5,5	mm 70	90,2	-	65	N1 1/2	kg 1,3	NC38N07B000
		Psi 798	inch 2,76	3,55	-	2,56		lb 2,87	



# BALL VALVES WITH INTEGRATED QUICK COUPLINGS

GE2 FF / GE2 A / GE2 PP / GE2 VGA

**PATENT**

Edition. 21.2

## CS Carbon Steel

- Carbon Steel
- Model: Ball Valve GE2 with Integrated Quick Coupling **FLAT FACE**
- Sizes: from DN10 up to DN25
- Pressure: up to PN420
- Treatment: Galvanized
  
- Model: Ball Valve GE2 with Integrated Quick Coupling **ISO A**
- Sizes: from DN10 up to DN25
- Pressure: up to PN420
- Treatment: Galvanized
  
- Model: Ball Valve GE2 with Integrated Quick Coupling **PUSH-PULL**
- Sizes: from DN10 up to DN25
- Pressure: up to PN420
- Treatment: Galvanized
  
- Model: Ball Valve GE2 with Integrated Quick Coupling **VGA**
- Sizes: from DN10 up to DN25
- Pressure: up to PN420
- Treatment: Galvanized

AVAILABLE ALSO IN OTHER MODELS OF BALL VALVES AND QUICK COUPLINGS





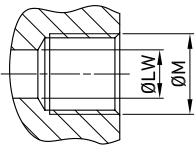
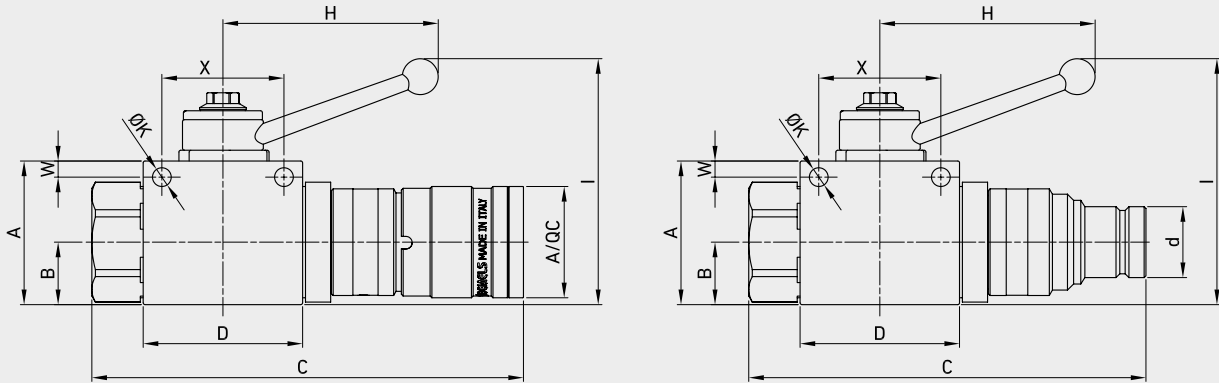
## CODE DESCRIPTION STRUCTURE

					GE2	G1/2	DN13	FF				
<b>Type and way of valve</b>												
GE2 2-way												
<b>Ends</b>												
GAS DIN/ ISO 228 BSP	NPT ANSI /ASME B1.20.1	SAE J1926-1	DIN 2353 HEAVY SERIES	DIN 2353 LIGHT SERIES	<b>Nominal dimension</b>			<b>TYPE AND WAY OF QC</b>	<b>M/F</b>	<b>NOMINAL DIMENSION</b>		
G 3/8	N 3/8	SAE6	12S	10L	DN10			ISO 16028 FF	MALE	10		
G 1/2	N 1/2	SAE8	14S	12L	DN13			ISO 7241/A	FEMALE	12,5		
G 3/4	N 3/4	SAE12	16S	15L	DN20			ISO 7241/A PUSH-PULL		20		
G 1	N 1	SAE16	20S	18L	DN25			Screw to connect couplings ISO 14541		25		
			25S	22L								
			30S	28L								
			38S	35L								

GE2 FF



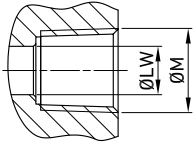
FIXING HOLES INCLUDED



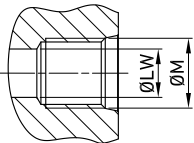
GE2 DIN/ISO 228 BSP + ISO 16028 FLAT FACE

CS  
Carbon Steel  
ITEM CODE

TYPE	DN	PN	A	B	C	D	d	E	F	G	H	I	A/QC	ØM	ØK*	W*	X*	SW	ØLW	ITEM CODE
GE2 G3/8 + QC FF 10 MALE	6	MPa 42	mm 40	17,4	110,6	44,4	19,75	11	54,25	35	110	93	-	G 3/8	5,25	4,5	34	9	10	NC05G0200GET230
		Psi 6090	inch 1,57	0,69	4,35	1,75	0,78	0,43	2,14	1,38	4,33	3,66	-		0,21	0,18	1,34	0,35	0,39	
GE2 G3/8 + QC FF 10 FEMALE	10	MPa 42	mm 40	17,4	120,2	44,4	-	11	54,25	35	110	93	31	G 3/8	5,25	4,5	34	9	10	NC06G0200GET230
		Psi 6090	inch 1,57	0,69	4,73	1,75	-	0,43	2,14	1,38	4,33	3,66	1,22		0,21	0,18	1,34	0,35	0,39	
GE2 G1/2 + QC FF 12,5 MALE	13	MPa 42	mm 43	19,7	123,5	48,4	24,5	11	57	37	110	97	-	G 1/2	5,25	5	36	9	13	NC05G0300GET330
		Psi 6090	inch 1,69	0,78	4,86	1,91	0,96	0,43	2,24	1,46	4,33	3,82	-		0,21	0,20	1,42	0,35	0,51	
GE2 G1/2 + QC FF 12,5 FEMALE	20	MPa 42	mm 43	19,7	129,5	48,4	-	11	57	37	110	97	38	G 1/2	5,25	5	36	9	13	NC06G0300GET330
		Psi 6090	inch 1,69	0,78	5,10	1,91	-	0,43	2,24	1,46	4,33	3,82	1,50		0,21	0,20	1,42	0,35	0,51	
GE2 G3/4 + QC FF 19 MALE	25	MPa 35	mm 57	25,4	139	62,5	29,95	14	75,5	49	180	105	-	G 3/4	6,25	6	50	14	20	NC05G0400GET430
		Psi 5075	inch 2,24	1,00	5,47	2,46	1,18	0,55	2,97	1,93	7,09	4,13	-		0,25	0,24	1,97	0,55	0,79	
GE2 G3/4 + QC FF 19 FEMALE	25	MPa 35	mm 57	25,4	150	62,5	-	14	75,5	49	180	105	45	G 3/4	6,25	6	50	14	20	NC06G0400GET430
		Psi 5075	inch 2,24	1,00	5,91	2,46	-	0,55	2,97	1,93	7,09	4,13	1,77		0,25	0,24	1,97	0,55	0,79	
GE2 G1 + QC FF 25 MALE	25	MPa 35	mm 65	29,5	172,5	66,5	36	14	83,5	55	180	113	-	G 1	6,25	6	50	14	25	NC05G0500GET530
		Psi 5075	inch 2,56	1,16	6,79	2,62	1,42	0,55	3,29	2,17	7,09	4,45	-		0,25	0,24	1,97	0,55	0,98	
GE2 G1 + QC FF 25 FEMALE	25	MPa 35	mm 65	29,5	172,5	66,5	-	14	83,5	55	180	113	54,5	G 1	6,25	6	50	14	25	NC06G0500GET530
		Psi 5075	inch 2,56	1,16	6,79	2,62	-	0,55	3,29	2,17	7,09	4,45	2,15		0,25	0,24	1,97	0,55	0,98	

**GE2 FF**

**GE2 ANSI/ASME B1.20.1 NPT + ISO 16028 FLAT FACE**

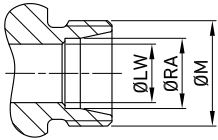
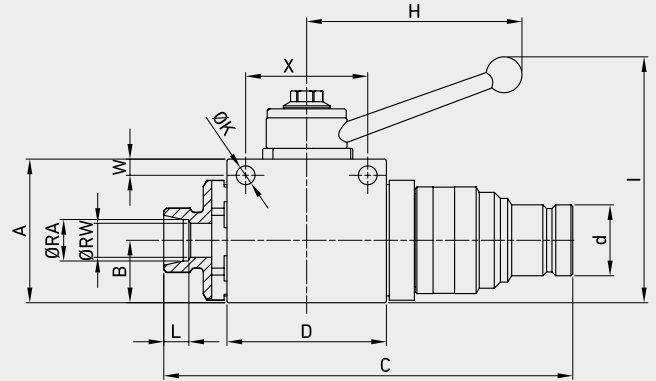
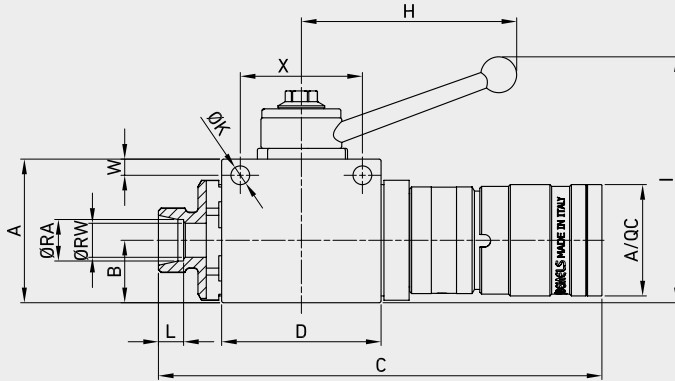
																				CS
																				Carbon Steel
TYPE	DN	PN	A	B	C	D	d	E	F	G	H	I	A/QC	ØM	ØK*	W*	X*	SW	ØLW	ITEM CODE
GE2 N3/8 + QC FF 10 MALE	10	MPa 42	mm 40	17,4	110,6	44,4	19,75	11	54,25	35	110	93	-	N 3/8	5,25	4,5	34	9	10	NC05N0200GET230
		Psi 6090	inch 1,57	0,69	4,35	1,75	0,78	0,43	2,14	1,38	4,33	3,66	-		0,21	0,18	1,34	0,35	0,39	
GE2 N3/8 + QC FF 10 FEMALE	10	MPa 42	mm 40	17,4	120,2	44,4	-	11	54,25	35	110	93	31	N 3/8	5,25	4,5	34	9	10	NC06N0200GET230
		Psi 6090	inch 1,57	0,69	4,73	1,75	-	0,43	2,14	1,38	4,33	3,66	1,22		0,21	0,18	1,34	0,35	0,39	
GE2 N1/2 + QC FF 12.5 MALE	13	MPa 42	mm 43	19,7	123,5	48,4	24,5	11	57	37	110	97	-	N 1/2	5,25	5	36	9	13	NC05N0300GET330
		Psi 6090	inch 1,69	0,78	4,86	1,91	0,96	0,43	2,24	1,46	4,33	3,82	-		0,21	0,20	1,42	0,35	0,51	
GE2 N1/2 + QC FF 12.5 FEMALE	13	MPa 42	mm 43	19,7	129,5	48,4	-	11	57	37	110	97	38	N 1/2	5,25	5	36	9	13	NC06N0300GET330
		Psi 6090	inch 1,69	0,78	5,10	1,91	-	0,43	2,24	1,46	4,33	3,82	1,50		0,21	0,20	1,42	0,35	0,51	
GE2 N3/4 + QC FF 19 MALE	19	MPa 35	mm 57	25,4	139	62,5	29,95	14	75,5	49	180	105	-	N 3/4	6,25	6	50	14	20	NC05N0400GET430
		Psi 5075	inch 2,24	1,00	5,47	2,46	1,18	0,55	2,97	1,93	7,09	4,13	-		0,25	0,24	1,97	0,55	0,79	
GE2 N3/4 + QC FF 19 FEMALE	19	MPa 35	mm 57	25,4	150	62,5	-	14	75,5	49	180	105	45	N 3/4	6,25	6	50	14	20	NC06N0400GET430
		Psi 5075	inch 2,24	1,00	5,91	2,46	-	0,55	2,97	1,93	7,09	4,13	1,77		0,25	0,24	1,97	0,55	0,79	
GE2 N1 + QC FF 25 MALE	25	MPa 35	mm 65	29,5	172,5	66,5	36	14	83,5	55	180	113	-	N 1	6,25	6	50	14	25	NC05N0500GET530
		Psi 5075	inch 2,56	1,16	6,79	2,62	1,42	0,55	3,29	2,17	7,09	4,45	-		0,25	0,24	1,97	0,55	0,98	
GE2 N1 + QC FF 25 FEMALE	25	MPa 35	mm 65	29,5	172,5	66,5	-	14	83,5	55	180	113	54,5	N 1	6,25	6	50	14	25	NC06N0500GET530
		Psi 5075	inch 2,56	1,16	6,79	2,62	-	0,55	3,29	2,17	7,09	4,45	2,15		0,25	0,24	1,97	0,55	0,98	


**GE2 SAE J1926-1 + ISO 16028 FLAT FACE**

																				CS
																				Carbon Steel
TYPE	DN	PN	A	B	C	D	d	E	F	G	H	I	A/QC	ØM	ØK*	W*	X*	SW	ØLW	ITEM CODE
GE2 SAE6 + QC FF 10 MALE	10	MPa 42	mm 40	17,5	110,6	44,4	19,75	11,1	54,25	35	110	93	-	9/16	5,25	4,5	34	9	10	NC05S0200GET230
		Psi 6090	inch 1,57	0,69	4,35	1,75	0,78	0,44	2,14	1,38	4,33	3,66	-	UNF	0,21	0,18	1,34	0,35	0,39	
GE2 SAE6 + QC FF 10 FEMALE	10	MPa 42	mm 40	17,5	120,2	44,4	-	11,1	54,25	35	110	93	31	9/16	5,25	4,5	34	9	10	NC06S0200GET230
		Psi 6090	inch 1,57	0,69	4,73	1,75	-	0,44	2,14	1,38	4,33	3,66	1,22	UNF	0,21	0,18	1,34	0,35	0,39	
GE2 SAE8 + QC FF 12.5 MALE	13	MPa 42	mm 43	19,7	123,5	48,4	24,5	11,1	57,25	37	110	97	-	3/4	5,25	5	36	9	13	NC05S0300GET330
		Psi 6090	inch 1,69	0,78	4,86	1,91	0,96	0,44	2,25	1,46	4,33	3,82	-	UNF	0,21	0,20	1,42	0,35	0,51	
GE2 SAE8 + QC FF 12.5 FEMALE	13	MPa 42	mm 43	19,7	129,5	48,4	-	11,1	57,25	37	110	97	38	3/4	5,25	5	36	9	13	NC06S0300GET330
		Psi 6090	inch 1,69	0,78	5,10	1,91	-	0,44	2,25	1,46	4,33	3,82	1,50	UNF	0,21	0,20	1,42	0,35	0,51	
GE2 SAE12 + QC FF 19 MALE	19	MPa 35	mm 57	25,4	139	62,5	29,95	14,35	75,5	49	180	105	-	1 1/16	6,25	6	50	14	20	NC05S0400GET430
		Psi 5075	inch 2,24	1,00	5,47	2,46	1,18	0,56	2,97	1,93	7,09	4,13	-	UNF	0,25	0,24	1,97	0,55	0,79	
GE2 SAE12 + QC FF 19 FEMALE	19	MPa 35	mm 57	25,4	150	62,5	-	14,35	75,5	49	180	105	45	1 1/16	6,25	6	50	14	20	NC06S0400GET430
		Psi 5075	inch 2,24	1,00	5,91	2,46	-	0,56	2,97	1,93	7,09	4,13	1,77	UNF	0,25	0,24	1,97	0,55	0,79	
GE2 SAE16 + QC FF 25 MALE	25	MPa 35	mm 65	29,5	172,5	66,5	36	14,35	83,5	55	180	113	-	1 5/16	6,25	6	50	14	25	NC05S0500GET530
		Psi 5075	inch 2,56	1,16	6,79	2,62	1,42	0,56	3,29	2,17	7,09	4,45	-	UNF	0,25	0,24	1,97	0,55	0,98	
GE2 SAE16 + QC FF 25 FEMALE	25	MPa 35	mm 65	29,5	172,5	66,5	-	14,35	83,5	55	180	113	54,5	1 5/16	6,25	6	50	14	25	NC06S0500GET530
		Psi 5075	inch 2,56	1,16	6,79	2,62	-	0,56	3,29	2,17	7,09	4,45	2,15	UNF	0,25	0,24	1,97	0,55	0,98	

GE2 FF

FIXING HOLES INCLUDED



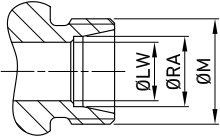
GE2 DIN 2353 HEAVY SERIES + ISO 16028 FLAT FACE

CS

Carbon Steel

TYPE	DN	PN	A	B	C	D	d	E	F	G	H	I	A/QC	ØM	ØK*	W*	X*	SW	ØLW	ØRA	ITEM CODE
GE2 12S + QC FF 10 MALE	10	MPa 42	mm 40	17,4	112,1	44,4	19,75	11	54,25	35	110	93	-	M20x1,5	5,25	4,5	34	9	10	12	NC05H0200GET230
		Psi 6090	inch 1,57	0,69	4,41	1,75	0,78	0,43	2,14	1,38	4,33	3,66	-		0,21	0,18	1,34	0,35	0,39	0,47	
GE2 12S + QC FF 10 FEMALE	10	MPa 42	mm 40	17,4	121,7	44,4	-	11	54,25	35	110	93	31	M20x1,5	5,25	4,5	34	9	10	12	NC06H0200GET230
		Psi 6090	inch 1,57	0,69	4,79	1,75	-	0,43	2,14	1,38	4,33	3,66	1,22		0,21	0,18	1,34	0,35	0,39	0,47	
GE2 14S + QC FF 10 MALE	10	MPa 42	mm 40	17,4	115,3	44,4	19,75	11	54,25	35	110	93	-	M22x1,5	5,25	4,5	34	9	10	14	NC05H0201GET230
		Psi 6090	inch 1,57	0,69	4,54	1,75	0,78	0,43	2,14	1,38	4,33	3,66	-		0,21	0,18	1,34	0,35	0,39	0,55	
GE2 14S + QC FF 10 FEMALE	10	MPa 42	mm 40	17,4	125	44,4	-	11	54,25	35	110	93	31	M22x1,5	5,25	4,5	34	9	10	14	NC06H0201GET230
		Psi 6090	inch 1,57	0,69	4,92	1,75	-	0,43	2,14	1,38	4,33	3,66	1,22		0,21	0,18	1,34	0,35	0,39	0,55	
GE2 16S + QC FF 12,5 MALE	13	MPa 42	mm 43	19,7	126,5	48,4	24,5	11	57	37	110	97	-	M24x1,5	5,25	5	36	9	13	16	NC05H0300GET330
		Psi 6090	inch 1,69	0,78	4,98	1,91	0,96	0,43	2,24	1,46	4,33	3,82	-		0,21	0,20	1,42	0,35	0,51	0,63	
GE2 16S + QC FF 12,5 FEMALE	13	MPa 42	mm 43	19,7	132,5	48,4	-	11	57	37	110	97	38	M24x1,5	5,25	5	36	9	13	16	NC06H0300GET330
		Psi 6090	inch 1,69	0,78	5,22	1,91	-	0,43	2,24	1,46	4,33	3,82	1,50		0,21	0,20	1,42	0,35	0,51	0,63	
GE2 20S + QC FF 12,5 MALE	13	MPa 42	mm 43	19,7	128,5	48,4	24,5	11	57	37	110	97	-	M30x2	5,25	5	36	9	13	20	NC05H0301GET330
		Psi 6090	inch 1,69	0,78	5,06	1,91	0,96	0,43	2,24	1,46	4,33	3,82	-		0,21	0,20	1,42	0,35	0,51	0,79	
GE2 20S + QC FF 12,5 FEMALE	13	MPa 42	mm 43	19,7	134,5	48,4	-	11	57	37	110	97	38	M30x2	5,25	5	36	9	13	20	NC06H0301GET330
		Psi 6090	inch 1,69	0,78	5,30	1,91	-	0,43	2,24	1,46	4,33	3,82	1,50		0,21	0,20	1,42	0,35	0,51	0,79	
GE2 25S + QC FF 19 MALE	19	MPa 35	mm 57	25,4	147,2	62,5	29,95	14	75,5	49	180	105	-	M36x2	6,25	6	50	14	20	25	NC05H0400GET430
		Psi 5075	inch 2,24	1,00	5,80	2,46	1,18	0,55	2,97	1,93	7,09	4,13	-		0,25	0,24	1,97	0,55	0,79	0,98	
GE2 25S + QC FF 19 FEMALE	19	MPa 35	mm 57	25,4	158	62,5	-	14	75,5	49	180	105	45	M36x2	6,25	6	50	14	20	25	NC06H0400GET430
		Psi 5075	inch 2,24	1,00	6,22	2,46	-	0,55	2,97	1,93	7,09	4,13	1,77		0,25	0,24	1,97	0,55	0,79	0,98	
GE2 30S + QC FF 25 MALE	25	MPa 35	mm 65	29,5	176,5	66,5	36	14	83,5	55	180	113	-	M42x2	6,25	6	50	14	25	30	NC05H0500GET530
		Psi 5075	inch 2,56	1,16	6,95	2,62	1,42	0,55	3,29	2,17	7,09	4,45	-		0,25	0,24	1,97	0,55	0,98	1,18	
GE2 30S + QC FF 25 FEMALE	25	MPa 35	mm 65	29,5	176,5	66,5	-	14	83,5	55	180	113	54,5	M42x2	6,25	6	50	14	25	30	NC06H0500GET530
		Psi 5075	inch 2,56	1,16	6,95	2,62	-	0,55	3,29	2,17	7,09	4,45	2,15		0,25	0,24	1,97	0,55	0,98	1,18	
GE2 38S + QC FF 25 MALE	25	MPa 35	mm 65	29,5	182	66,5	36	14	83,5	55	180	113	-	M52x2	6,25	6	50	14	25	38	NC05H0501GET530
		Psi 5075	inch 2,56	1,16	7,17	2,62	1,42	0,55	3,29	2,17	7,09	4,45	-		0,25	0,24	1,97	0,55	0,98	1,50	
GE2 38S + QC F FF 25 FEMALE	25	MPa 35	mm 65	29,5	182	66,5	-	14	83,5	55	180	113	54,5	M52x2	6,25	6	50	14	25	38	NC06H0501GET530
		Psi 5075	inch 2,56	1,16	7,17	2,62	-	0,55	3,29	2,17	7,09	4,45	2,15		0,25	0,24	1,97	0,55	0,98	1,50	



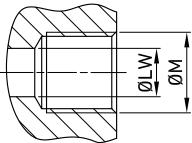
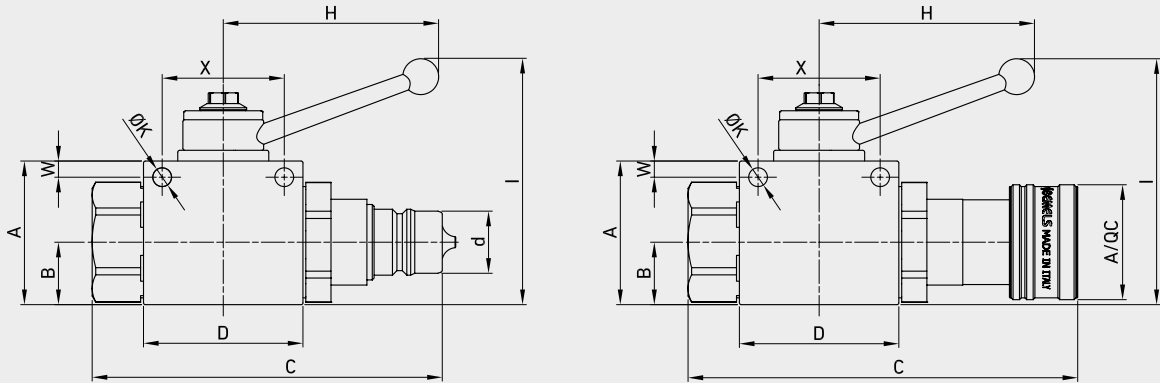
**GE2 FF**

**GE2 DIN 2353 LIGHT SERIES + ISO 16028 FLAT FACE**

																					CS Carbon Steel
TYPE	DN	PN	A	B	C	D	d	E	F	G	H	I	A/QC	ØM	ØK*	W*	X*	SW	ØLW	ØRA	ITEM CODE
GE2 10L + QC FF 10 MALE	10	MPa 42	mm 40	17,4	112,3	44,4	19,75	11	54,25	35	110	93	-	M16x1,5	5,25	4,5	34	9	8	10	NC05L0200GET230
		Psi 6090	inch 1,57	0,69	4,42	1,75	0,78	0,43	2,14	1,38	4,33	3,66	-		0,21	0,18	1,34	0,35	0,31	0,39	
GE2 10L + QC FF 10 FEMALE	10	MPa 42	mm 40	17,4	122	44,4	-	11	54,25	35	110	93	31	M16x1,5	5,25	4,5	34	9	8	10	NC06L0200GET230
		Psi 6090	inch 1,57	0,69	4,80	1,75	-	0,43	2,14	1,38	4,33	3,66	1,22		0,21	0,18	1,34	0,35	0,31	0,39	
GE2 12L + QC FF 10 MALE	10	MPa 42	mm 40	17,4	113,9	44,4	19,75	11	54,25	35	110	93	-	M18x1,5	5,25	4,5	34	9	10	12	NC05L0201GET230
		Psi 6090	inch 1,57	0,69	4,48	1,75	0,78	0,43	2,14	1,38	4,33	3,66	-		0,21	0,18	1,34	0,35	0,39	0,47	
GE2 12L + QC FF 10 FEMALE	10	MPa 42	mm 40	17,4	123,5	44,4	-	11	54,25	35	110	93	31	M18x1,5	5,25	4,5	34	9	10	12	NC06L0201GET230
		Psi 6090	inch 1,57	0,69	4,86	1,75	-	0,43	2,14	1,38	4,33	3,66	1,22		0,21	0,18	1,34	0,35	0,39	0,47	
GE2 15L + QC FF 12,5 MALE	13	MPa 42	mm 43	19,7	125,5	48,4	24,5	11	57	37	110	97	-	M22x1,5	5,25	5	36	9	13	15	NC05L0300GET330
		Psi 6090	inch 1,69	0,78	4,94	1,91	0,96	0,43	2,24	1,46	4,33	3,82	-		0,21	0,20	1,42	0,35	0,51	0,59	
GE2 15L + QC FF 12,5 FEMALE	13	MPa 42	mm 43	19,7	131,5	48,4	-	11	57	37	110	97	38	M22x1,5	5,25	5	36	9	13	15	NC06L0300GET330
		Psi 6090	inch 1,69	0,78	5,18	1,91	-	0,43	2,24	1,46	4,33	3,82	1,50		0,21	0,20	1,42	0,35	0,51	0,59	
GE2 18L + QC FF 12,5 MALE	13	MPa 42	mm 43	19,7	125,5	48,4	24,5	11	57	37	110	97	-	M26x1,5	5,25	5	36	9	13	18	NC05L0301GET330
		Psi 6090	inch 1,69	0,78	4,94	1,91	0,96	0,43	2,24	1,46	4,33	3,82	-		0,21	0,20	1,42	0,35	0,51	0,71	
GE2 18L + QC FF 12,5 FEMALE	13	MPa 42	mm 43	19,7	131,5	48,4	-	11	57	37	110	97	38	M26x1,5	5,25	5	36	9	13	18	NC06L0301GET330
		Psi 6090	inch 1,69	0,78	5,18	1,91	-	0,43	2,24	1,46	4,33	3,82	1,50		0,21	0,20	1,42	0,35	0,51	0,71	
GE2 22L + QC FF 19 MALE	19	MPa 35	mm 57	25,4	146,7	62,5	29,95	14	75,5	49	180	105	-	M30x2	6,25	6	50	14	20	22	NC05L0400GET430
		Psi 5075	inch 2,24	1,00	5,78	2,46	1,18	0,55	2,97	1,93	7,09	4,13	-		0,25	0,24	1,97	0,55	0,79	0,87	
GE2 22L + QC FF 19 FEMALE	19	MPa 35	mm 57	25,4	157,7	62,5	-	14	75,5	49	180	105	45	M30x2	6,25	6	50	14	20	22	NC06L0400GET430
		Psi 5075	inch 2,24	1,00	6,21	2,46	-	0,55	2,97	1,93	7,09	4,13	1,77		0,25	0,24	1,97	0,55	0,79	0,87	
GE2 28L + QC FF 25 MALE	25	MPa 35	mm 65	29,5	175	66,5	36	14	83,5	55	180	113	-	M36x2	6,25	6	50	14	25	28	NC05L0500GET530
		Psi 5075	inch 2,56	1,16	6,89	2,62	1,42	0,55	3,29	2,17	7,09	4,45	-		0,25	0,24	1,97	0,55	0,98	1,10	
GE2 28L + QC FF 25 FEMALE	25	MPa 35	mm 65	29,5	175	66,5	-	14	83,5	55	180	113	54,5	M36x2	6,25	6	50	14	25	28	NC06L0500GET530
		Psi 5075	inch 2,56	1,16	6,89	2,62	-	0,55	3,29	2,17	7,09	4,45	2,15		0,25	0,24	1,97	0,55	0,98	1,10	
GE2 35L + QC FF 25 MALE	25	MPa 35	mm 65	29,5	176	66,5	36	14	83,5	55	180	113	-	M45x2	6,25	6	50	14	25	35	NC05L0501GET530
		Psi 5075	inch 2,56	1,16	6,93	2,62	1,42	0,55	3,29	2,17	7,09	4,45	-		0,25	0,24	1,97	0,55	0,98	1,38	
GE2 35L + QC FF 25 FEMALE	25	MPa 35	mm 65	29,5	176	66,5	-	14	83,5	55	180	113	54,5	M45x2	6,25	6	50	14	25	35	NC06L0501GET530
		Psi 5075	inch 2,56	1,16	6,93	2,62	-	0,55	3,29	2,17	7,09	4,45	2,15		0,25	0,24	1,97	0,55	0,98	1,38	

GE2 A



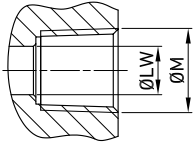
FIXING HOLES INCLUDED



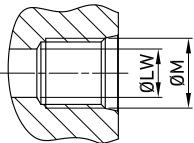
GE2 DIN/ISO 228 BSP + ISO 7241/A

CS  
Carbon Steel  
ITEM CODE

TYPE	DN	PN	A	B	C	D	d	E	F	G	H	I	A/QC	ØM	ØK*	W*	X*	SW	ØLW	ITEM CODE
GE2 G3/8 + QC A 10 MALE	10	MPa 42	mm 40	17,4	97,5	44,4	17,3	11	54,25	35	110	93	-	G 3/8	5,25	4,5	34	9	10	NC01G0200GET230
		Psi 6090	inch 1,57	0,69	3,84	1,75	0,68	0,43	2,14	1,38	4,33	3,66	-		0,21	0,18	1,34	0,35	0,39	
GE2 G3/8 + QC A 10 FEMALE	10	MPa 42	mm 40	17,4	108,5	44,4	-	11	54,25	35	110	93	32	G 3/8	5,25	4,5	34	9	10	NC02G0200GET230
		Psi 6090	inch 1,57	0,69	4,27	1,75	-	0,43	2,14	1,38	4,33	3,66	1,26		0,21	0,18	1,34	0,35	0,39	
GE2 G1/2 + QC A 12,5 MALE	13	MPa 35	mm 43	19,7	114,5	48,4	20,5	11	57	37	110	97	-	G 1/2	5,25	5	36	9	13	NC01G0300GET330
		Psi 5075	inch 1,69	0,78	4,51	1,91	0,81	0,43	2,24	1,46	4,33	3,82	-		0,21	0,20	1,42	0,35	0,51	
GE2 G1/2 + QC A 12,5 FEMALE	13	MPa 35	mm 43	19,7	121	48,4	-	11	57	37	110	97	38,25	G 1/2	5,25	5	36	9	13	NC02G0300GET330
		Psi 5075	inch 1,69	0,78	4,76	1,91	-	0,43	2,24	1,46	4,33	3,82	1,51		0,21	0,20	1,42	0,35	0,51	
GE2 G3/4 + QC A 20 MALE	20	MPa 25	mm 57	25,4	131	62,5	29,1	14	75,5	49	180	105	-	G 3/4	6,25	6	50	14	20	NC01G0400GET430
		Psi 3625	inch 2,24	1,00	5,16	2,46	1,15	0,55	2,97	1,93	7,09	4,13	-		0,25	0,24	1,97	0,55	0,79	
GE2 G3/4 + QC A 20 FEMALE	20	MPa 25	mm 57	25,4	146,5	62,5	-	14	75,5	49	180	105	48	G 3/4	6,25	6	50	14	20	NC02G0400GET430
		Psi 3625	inch 2,24	1,00	5,77	2,46	-	0,55	2,97	1,93	7,09	4,13	1,89		0,25	0,24	1,97	0,55	0,79	
GE2 G1 + QC A 25 MALE	25	MPa 25	mm 65	29,5	166,5	66,5	34,34	14	83,5	55	180	113	-	G 1	6,25	6	50	14	25	NC01G0500GET530
		Psi 3625	inch 2,56	1,16	6,56	2,62	1,35	0,55	3,29	2,17	7,09	4,45	-		0,25	0,24	1,97	0,55	0,98	
GE2 G1 + QC A 25 FEMALE	25	MPa 25	mm 65	29,5	182	66,5	-	14	83,5	55	180	113	56	G 1	6,25	6	50	14	25	NC02G0500GET530
		Psi 3625	inch 2,56	1,16	7,17	2,62	-	0,55	3,29	2,17	7,09	4,45	2,20		0,25	0,24	1,97	0,55	0,98	

**GE2 A**

**GE2 ANSI/ASME B1.20.1 NPT + ISO 7241/A**

																				CS	
																				Carbon Steel	
TYPE	DN	PN	A	B	C	D	d	E	F	G	H	I	A/QC	ØM	ØK*	W*	X*	SW	ØLW	ITEM CODE	
GE2 N3/8 + QC A 10 MALE	10	MPa 42	mm 40	17,4	97,5	44,4	17,3	11	54,25	35	110	93	-	N 3/8	5,25	4,5	34	9	10	NC01N0200GET230	
		Psi 6090	inch 1,57	0,69	3,84	1,75	0,68	0,43	2,14	1,38	4,33	3,66	-		0,21	0,18	1,34	0,35	0,39		
GE2 N3/8 + QC A 10 FEMALE	10	MPa 42	mm 40	17,4	108,5	44,4	-	11	54,25	35	110	93	32	N 3/8	5,25	4,5	34	9	10	NC02N0200GET230	
		Psi 6090	inch 1,57	0,69	4,27	1,75	-	0,43	2,14	1,38	4,33	3,66	1,26		0,21	0,18	1,34	0,35	0,39		
GE2 N1/2 + QC A 12,5 MALE	13	MPa 35	mm 43	19,7	114,5	48,4	20,5	11	57	37	110	97	-	N 1/2	5,25	5	36	9	13	NC01N0300GET330	
		Psi 5075	inch 1,69	0,78	4,51	1,91	0,81	0,43	2,24	1,46	4,33	3,82	-		0,21	0,20	1,42	0,35	0,51		
GE2 N1/2 + QC A 12,5 FEMALE	13	MPa 35	mm 43	19,7	121	48,4	-	11	57	37	110	97	38,25	N 1/2	5,25	5	36	9	13	NC02N0300GET330	
		Psi 5075	inch 1,69	0,78	4,76	1,91	-	0,43	2,24	1,46	4,33	3,82	1,51		0,21	0,20	1,42	0,35	0,51		
GE2 N3/4 + QC A 20 MALE	20	MPa 25	mm 57	25,4	131	62,5	29,1	14	75,5	49	180	105	-	N 3/4	6,25	6	50	14	20	NC01N0400GET430	
		Psi 3625	inch 2,24	1,00	5,16	2,46	1,15	0,55	2,97	1,93	7,09	4,13	-		0,25	0,24	1,97	0,55	0,79		
GE2 N3/4 + QC A 20 FEMALE	20	MPa 25	mm 57	25,4	146,5	62,5	-	14	75,5	49	180	105	48	N 3/4	6,25	6	50	14	20	NC02N0400GET430	
		Psi 3625	inch 2,24	1,00	5,77	2,46	-	0,55	2,97	1,93	7,09	4,13	1,89		0,25	0,24	1,97	0,55	0,79		
GE2 N1 + QC A 25 MALE	25	MPa 25	mm 65	29,5	166,5	66,5	34,34	14	83,5	55	180	113	-	N 1	6,25	6	50	14	25	NC01N0500GET530	
		Psi 3625	inch 2,56	1,16	6,56	2,62	1,35	0,55	3,29	2,17	7,09	4,45	-		0,25	0,24	1,97	0,55	0,98		
GE2 N1 + QC A 25 FEMALE	25	MPa 25	mm 65	29,5	182	66,5	-	14	83,5	55	180	113	56	N 1	6,25	6	50	14	25	NC02N0500GET530	
		Psi 3625	inch 2,56	1,16	7,17	2,62	-	0,55	3,29	2,17	7,09	4,45	2,20		0,25	0,24	1,97	0,55	0,98		

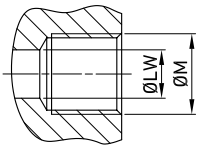
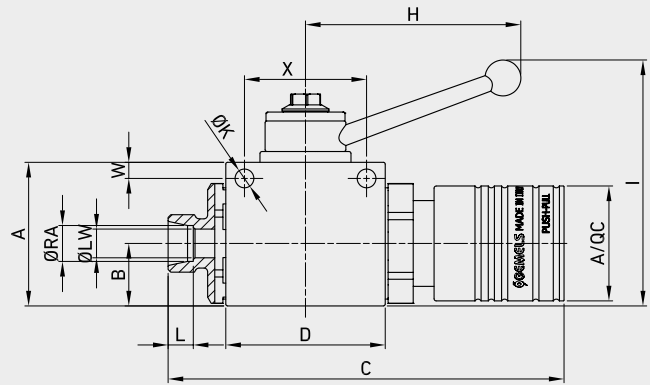
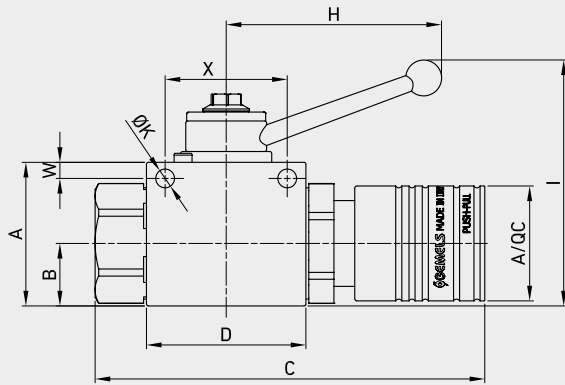

**GE2 SAE J1926-1 + ISO 7241/A**

																				CS	
																				Carbon Steel	
TYPE	DN	PN	A	B	C	D	d	E	F	G	H	I	A/QC	ØM	ØK*	W*	X*	SW	ØLW	ITEM CODE	
GE2 SAE6 + QC A 10 MALE	10	MPa 42	mm 40	17,5	110,6	44,4	19,75	11,1	54,25	35	110	93	-	9/16	5,25	4,5	34	9	10	NC01S0200GET230	
		Psi 6090	inch 1,57	0,69	4,35	1,75	0,78	0,44	2,14	1,38	4,33	3,66	-	UNF	0,21	0,18	1,34	0,35	0,39		
GE2 SAE6 + QC A 10 FEMALE	10	MPa 42	mm 40	17,5	120,2	44,4	-	11,1	54,25	35	110	93	31	9/16	5,25	4,5	34	9	10	NC02S0200GET230	
		Psi 6090	inch 1,57	0,69	4,73	1,75	-	0,44	2,14	1,38	4,33	3,66	1,22	UNF	0,21	0,18	1,34	0,35	0,39		
GE2 SAE8 + QC A 12,5 MALE	13	MPa 35	mm 43	19,7	123,5	48,4	24,5	11,1	57,25	37	110	97	-	3/4	5,25	5	36	9	13	NC01S0300GET330	
		Psi 5075	inch 1,69	0,78	4,86	1,91	0,96	0,44	2,25	1,46	4,33	3,82	-	UNF	0,21	0,20	1,42	0,35	0,51		
GE2 SAE8 + QC A 12,5 FEMALE	13	MPa 35	mm 43	19,7	129,5	48,4	-	11,1	57,25	37	110	97	38	3/4	5,25	5	36	9	13	NC02S0300GET330	
		Psi 5075	inch 1,69	0,78	5,10	1,91	-	0,44	2,25	1,46	4,33	3,82	1,50	UNF	0,21	0,20	1,42	0,35	0,51		
GE2 SAE12 + QC A 20 MALE	19	MPa 25	mm 57	25,4	139	62,5	29,95	14,35	75,5	49	180	105	-	1 1/16	6,25	6	50	14	20	NC01S0400GET430	
		Psi 3625	inch 2,24	1,00	5,47	2,46	1,18	0,56	2,97	1,93	7,09	4,13	-	UNF	0,25	0,24	1,97	0,55	0,79		
GE2 SAE12 + QC A 20 FEMALE	19	MPa 25	mm 57	25,4	150	62,5	-	14,35	75,5	49	180	105	45	1 1/16	6,25	6	50	14	20	NC02S0400GET430	
		Psi 3625	inch 2,24	1,00	5,91	2,46	-	0,56	2,97	1,93	7,09	4,13	1,77	UNF	0,25	0,24	1,97	0,55	0,79		
GE2 SAE16 + QC A 25 MALE	25	MPa 25	mm 65	29,5	172,5	66,5	36	14,35	83,5	55	180	113	-	1 5/16	6,25	6	50	14	25	NC01S0500GET530	
		Psi 3625	inch 2,56	1,16	6,79	2,62	1,42	0,56	3,29	2,17	7,09	4,45	-	UNF	0,25	0,24	1,97	0,55	0,98		
GE2 SAE16 + QC A 25 FEMALE	25	MPa 25	mm 65	29,5	172,5	66,5	-	14,35	83,5	55	180	113	54,5	1 5/16	6,25	6	50	14	25	NC02S0500GET530	
		Psi 3625	inch 2,56	1,16	6,79	2,62	-	0,56	3,29	2,17	7,09	4,45	2,15	UNF	0,25	0,24	1,97	0,55	0,98		

GE2 PP



FIXING HOLES INCLUDED



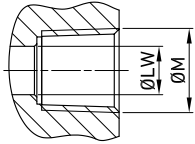
GE2 DIN/ISO 228 BSP + ISO 7241/A FOR MALE/FEMALE PUSH-PULL

CS

Carbon Steel

ITEM CODE

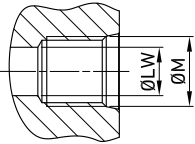
TYPE	DN	PN	A	B	C	D	d	E	F	G	H	I	A/QC	ØM	ØK*	W*	X*	SW	ØLW	ITEM CODE
GE2 G3/8 + QC PP 10 FEMALE	10	MPa 42	mm 40	17,4	108,5	44,4	-	11	54,25	35	110	93	32	G 3/8	5,25	4,5	34	9	10	NC12G0200GET230
		Psi 6090	inch 1,57	0,69	4,27	1,75	-	0,43	2,14	1,38	4,33	3,66	1,26		0,21	0,18	1,34	0,35	0,39	
GE2 G1/2 + QC PP 12,5 FEMALE	13	MPa 35	mm 43	19,7	121	48,4	-	11	57	37	110	97	38	G 1/2	5,25	5	36	9	13	NC12G0300GET330
		Psi 5075	inch 1,69	0,78	4,76	1,91	-	0,43	2,24	1,46	4,33	3,82	1,50		0,21	0,20	1,42	0,35	0,51	
GE2 G3/4 + QC PP 20 FEMALE	20	MPa 25	mm 57	25,4	146,5	62,5	-	14	75,5	49	180	105	47	G 3/4	6,25	6	50	14	20	NC12G0400GET430
		Psi 3625	inch 2,24	1,00	5,77	2,46	-	0,55	2,97	1,93	7,09	4,13	1,85		0,25	0,24	1,97	0,55	0,79	
GE2 G1 + QC PP 25 FEMALE	25	MPa 25	mm 65	29,5	182	66,5	-	14	83,5	55	180	113	55	G 1	6,25	6	50	14	25	NC12G0500GET530
		Psi 3625	inch 2,56	1,16	7,17	2,62	-	0,55	3,29	2,17	7,09	4,45	2,17		0,25	0,24	1,97	0,55	0,98	

**GE2 PP**

**GE2 ANSI/ASME B1.20.1 NPT + ISO 7241/A FOR MALE/FEMALE PUSH-PULL**

CS

Carbon Steel

TYPE	DN	PN	A	B	C	D	d	E	F	G	H	I	A/QC	ØM	ØK*	W*	X*	SW	ØLW	ITEM CODE
GE2 N3/8 + QC PP 10 FEMALE	10	MPa 42	mm 40	17,4	108,5	44,4	-	11	54,25	35	110	93	32	N 3/8	5,25	4,5	34	9	10	NC12N0200GET230
		Psi 6090	inch 1,57	0,69	4,27	1,75	-	0,43	2,14	1,38	4,33	3,66	1,26		0,21	0,18	1,34	0,35	0,39	
GE2 N1/2 + QC PP 12,5 FEMALE	13	MPa 35	mm 43	19,7	121	48,4	-	11	57	37	110	97	38	N 1/2	5,25	5	36	9	13	NC12N0300GET330
		Psi 5075	inch 1,69	0,78	4,76	1,91	-	0,43	2,24	1,46	4,33	3,82	1,50		0,21	0,20	1,42	0,35	0,51	
GE2 N3/4 + QC PP 20 FEMALE	20	MPa 25	mm 57	25,4	146,5	62,5	-	14	75,5	49	180	105	47	N 3/4	6,25	6	50	14	20	NC12N0400GET430
		Psi 3625	inch 2,24	1,00	5,77	2,46	-	0,55	2,97	1,93	7,09	4,13	1,85		0,25	0,24	1,97	0,55	0,79	
GE2 N1 + QC PP 25 FEMALE	25	MPa 25	mm 65	29,5	182	66,5	-	14	83,5	55	180	113	55	N 1	6,25	6	50	14	25	NC12N0500GET530
		Psi 3625	inch 2,56	1,16	7,17	2,62	-	0,55	3,29	2,17	7,09	4,45	2,17		0,25	0,24	1,97	0,55	0,98	

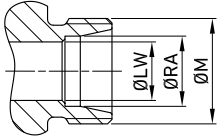

**GE2 SAE J1926-1 + ISO 7241/A FOR MALE/FEMALE PUSH-PULL**

CS

Carbon Steel

TYPE	DN	PN	A	B	C	D	d	E	F	G	H	I	A/QC	ØM	ØK*	W*	X*	SW	ØLW	ITEM CODE
GE2 SAE6 + QC PP 10 FEMALE	10	MPa 42	mm 40	17,5	108,5	44,4	-	11,1	54,25	35	110	93	32	9/16	5,25	4,5	34	9	10	NC12S0200GET230
		Psi 6090	inch 1,57	0,69	4,27	1,75	-	0,44	2,14	1,38	4,33	3,66	1,26	UNF	0,21	0,18	1,34	0,35	0,39	
GE2 SAE8 + QC PP 12,5 FEMALE	13	MPa 35	mm 43	19,7	121	48,4	-	11,1	57,25	37	110	97	38	3/4	5,25	5	36	9	13	NC12S0300GET330
		Psi 5075	inch 1,69	0,78	4,76	1,91	-	0,44	2,25	1,46	4,33	3,82	1,50	UNF	0,21	0,20	1,42	0,35	0,51	
GE2 SAE12 + QC PP 20 FEMALE	20	MPa 25	mm 57	25,4	146,5	62,5	-	14,35	75,5	49	180	105	47	1 1/16	6,25	6	50	14	20	NC12S0400GET430
		Psi 3625	inch 2,24	1,00	5,77	2,46	-	0,56	2,97	1,93	7,09	4,13	1,85	UNF	0,25	0,24	1,97	0,55	0,79	
GE2 G1 + QC PP 25 FEMALE	25	MPa 25	mm 65	29,5	182	66,5	-	14,35	83,5	55	180	113	55	1 5/16	6,25	6	50	14	25	NC12S0500GET530
		Psi 3625	inch 2,56	1,16	7,17	2,62	-	0,56	3,29	2,17	7,09	4,45	2,17	UNF	0,25	0,24	1,97	0,55	0,98	

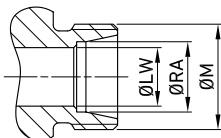
GE2 PP



GE2 DIN 2353 HEAVY SERIES + ISO 7241/A FOR MALE/FEMALE PUSH-PULL

CS  
Carbon Steel

TYPE	DN	PN	A	B	C	D	d	E	F	G	H	I	A/QC	ØM	ØK*	W*	X*	SW	ØLW	ØRA	ITEM CODE
GE2 12S + QC PP 10 MALE	10	MPa 42	mm 40	17,4	99	44,4	17,3	11	54,25	35	110	93	-	M20x1,5	5,25	4,5	34	9	10	12	NC11H0200GET230
		Psi 6090	inch 1,57	0,69	3,90	1,75	0,68	0,43	2,14	1,38	4,33	3,66	-		0,21	0,18	1,34	0,35	0,39	0,47	
GE2 12S + QC PP 10 FEMALE	10	MPa 42	mm 40	17,4	110	44,4	-	11	54,25	35	110	93	32	M20x1,5	5,25	4,5	34	9	10	12	NC12H0200GET230
		Psi 6090	inch 1,57	0,69	4,33	1,75	-	0,43	2,14	1,38	4,33	3,66	1,26		0,21	0,18	1,34	0,35	0,39	0,47	
GE2 14S + QC PP 10 MALE	10	MPa 42	mm 40	17,4	102,2	44,4	17,3	11	54,25	35	110	93	-	M22x1,5	5,25	4,5	34	9	10	14	NC11H0201GET230
		Psi 6090	inch 1,57	0,69	4,02	1,75	0,68	0,43	2,14	1,38	4,33	3,66	-		0,21	0,18	1,34	0,35	0,39	0,55	
GE2 14S + QC PP 10 FEMALE	10	MPa 42	mm 40	17,4	113,2	44,4	-	11	54,25	35	110	93	32	M22x1,5	5,25	4,5	34	9	10	14	NC12H0201GET230
		Psi 6090	inch 1,57	0,69	4,46	1,75	-	0,43	2,14	1,38	4,33	3,66	1,26		0,21	0,18	1,34	0,35	0,39	0,55	
GE2 16S + QC PP 12,5 MALE	13	MPa 35	mm 43	19,7	117,5	48,4	20,5	11	57	37	110	97	-	M24x1,5	5,25	5	36	9	13	16	NC11H0300GET330
		Psi 5075	inch 1,69	0,78	4,63	1,91	0,81	0,43	2,24	1,46	4,33	3,82	-		0,21	0,20	1,42	0,35	0,51	0,63	
GE2 16S + QC PP 12,5 FEMALE	13	MPa 35	mm 43	19,7	124	48,4	-	11	57	37	110	97	38	M24x1,5	5,25	5	36	9	13	16	NC12H0300GET330
		Psi 5075	inch 1,69	0,78	4,88	1,91	-	0,43	2,24	1,46	4,33	3,82	1,50		0,21	0,20	1,42	0,35	0,51	0,63	
GE2 20S + QC PP 12,5 MALE	13	MPa 35	mm 43	19,7	119,5	48,4	20,5	11	57	37	110	97	-	M30x2	5,25	5	36	9	13	20	NC11H0301GET330
		Psi 5075	inch 1,69	0,78	4,70	1,91	0,81	0,43	2,24	1,46	4,33	3,82	-		0,21	0,20	1,42	0,35	0,51	0,79	
GE2 20S + QC PP 12,5 FEMALE	13	MPa 35	mm 43	19,7	126	48,4	-	11	57	37	110	97	38	M30x2	5,25	5	36	9	13	20	NC12H0301GET330
		Psi 5075	inch 1,69	0,78	4,96	1,91	-	0,43	2,24	1,46	4,33	3,82	1,50		0,21	0,20	1,42	0,35	0,51	0,79	
GE2 25S + QC PP 20 MALE	20	MPa 25	mm 57	25,4	142,5	62,5	29	14	75,5	49	180	105	-	M36x2	6,25	6	50	14	20	25	NC11H0400GET430
		Psi 3625	inch 2,24	1,00	5,61	2,46	1,14	0,55	2,97	1,93	7,09	4,13	-		0,25	0,24	1,97	0,55	0,79	0,98	
GE2 25S + QC PP 20 FEMALE	20	MPa 25	mm 57	25,4	154,5	62,5	-	14	75,5	49	180	105	47	M36x2	6,25	6	50	14	20	25	NC12H0400GET430
		Psi 3625	inch 2,24	1,00	6,08	2,46	-	0,55	2,97	1,93	7,09	4,13	1,85		0,25	0,24	1,97	0,55	0,79	0,98	
GE2 30S + QC PP 25 MALE	25	MPa 25	mm 65	29,5	170,6	66,5	34,34	14	83,5	55	180	113	-	M42x2	6,25	6	50	14	25	30	NC11H0500GET530
		Psi 3625	inch 2,56	1,16	6,72	2,62	1,35	0,55	3,29	2,17	7,09	4,45	-		0,25	0,24	1,97	0,55	0,98	1,18	
GE2 30S + QC PP 25 FEMALE	25	MPa 25	mm 65	29,5	186,1	66,5	-	14	83,5	55	180	113	55	M42x2	6,25	6	50	14	25	30	NC12H0500GET530
		Psi 3625	inch 2,56	1,16	7,33	2,62	-	0,55	3,29	2,17	7,09	4,45	2,17		0,25	0,24	1,97	0,55	0,98	1,18	
GE2 38S + QC PP 25 MALE	25	MPa 25	mm 65	29,5	176	66,5	34,34	14	83,5	55	180	113	-	M52x2	6,25	6	50	14	25	38	NC11H0501GET530
		Psi 3625	inch 2,56	1,16	6,93	2,62	1,35	0,55	3,29	2,17	7,09	4,45	-		0,25	0,24	1,97	0,55	0,98	1,50	
GE2 38S + QC PP 25 FEMALE	25	MPa 25	mm 65	29,5	191,5	66,5	-	14	83,5	55	180	113	55	M52x2	6,25	6	50	14	25	38	NC12H0501GET530
		Psi 3625	inch 2,56	1,16	7,54	2,62	-	0,55	3,29	2,17	7,09	4,45	2,17		0,25	0,24	1,97	0,55	0,98	1,50	

**GE2 PP**

**GE2 DIN 2353 LIGHT SERIES + ISO 7241/A FOR MALE/FEMALE PUSH-PULL**

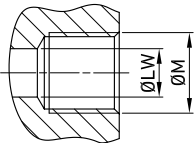
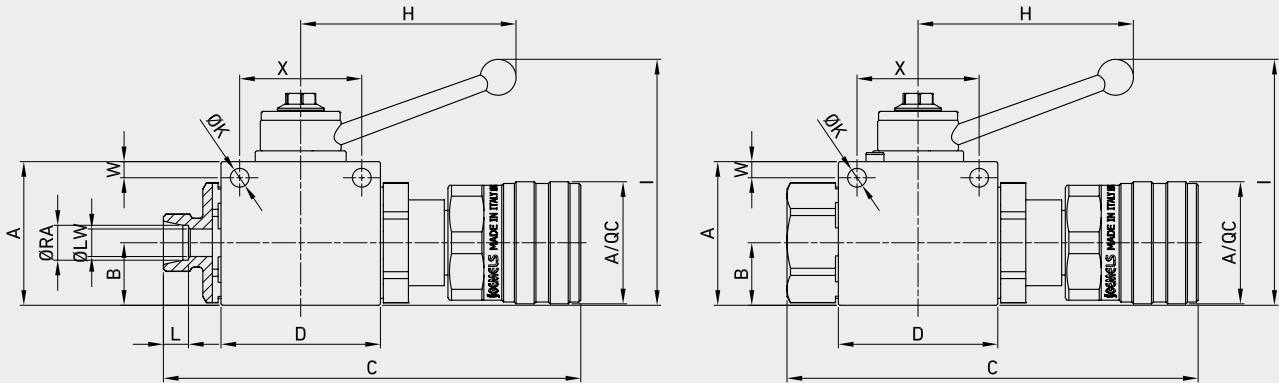
Carbon Steel

TYPE	DN	PN	A	B	C	D	d	E	F	G	H	I	A/QC	ØM	ØK*	W*	X*	SW	ØLW	ØRA	ITEM CODE
GE2 10L + QC PP 10 MALE	10	MPa 42	mm 40	17,4	99,2	44,4	17,3	11	54,25	35	110	93	-	M16x1,5	5,25	4,5	34	9	8	10	NC11L0200GET230
		Psi 6090	inch 1,57	0,69	3,91	1,75	0,68	0,43	2,14	1,38	4,33	3,66	-		0,21	0,18	1,34	0,35	0,31	0,39	
GE2 10L + QC PP 10 FEMALE	10	MPa 42	mm 40	17,4	110,2	44,4	-	11	54,25	35	110	93	32	M16x1,5	5,25	4,5	34	9	8	10	NC12L0200GET230
		Psi 6090	inch 1,57	0,69	4,34	1,75	-	0,43	2,14	1,38	4,33	3,66	1,26		0,21	0,18	1,34	0,35	0,31	0,39	
GE2 12L + QC PP 10 MALE	10	MPa 42	mm 40	17,4	100,8	44,4	17,3	11	54,25	35	110	93	-	M18x1,5	5,25	4,5	34	9	10	12	NC11L0201GET230
		Psi 6090	inch 1,57	0,69	3,97	1,75	0,68	0,43	2,14	1,38	4,33	3,66	-		0,21	0,18	1,34	0,35	0,39	0,47	
GE2 12L + QC PP 10 FEMALE	10	MPa 42	mm 40	17,4	111,8	44,4	-	11	54,25	35	110	93	32	M18x1,5	5,25	4,5	34	9	10	12	NC12L0201GET230
		Psi 6090	inch 1,57	0,69	4,40	1,75	-	0,43	2,14	1,38	4,33	3,66	1,26		0,21	0,18	1,34	0,35	0,39	0,47	
GE2 15L + QC PP 12,5 MALE	13	MPa 35	mm 43	19,7	116,5	48,4	20,5	11	57	37	110	97	-	M22x1,5	5,25	5	36	9	13	15	NC11L0300GET330
		Psi 5075	inch 1,69	0,78	4,59	1,91	0,81	0,43	2,24	1,46	4,33	3,82	-		0,21	0,20	1,42	0,35	0,51	0,59	
GE2 15L + QC PP 12,5 FEMALE	13	MPa 35	mm 43	19,7	123	48,4	-	11	57	37	110	97	38	M22x1,5	5,25	5	36	9	13	15	NC12L0300GET330
		Psi 5075	inch 1,69	0,78	4,84	1,91	-	0,43	2,24	1,46	4,33	3,82	1,50		0,21	0,20	1,42	0,35	0,51	0,59	
GE2 18L + QC PP 12,5 MALE	13	MPa 35	mm 43	19,7	116,5	48,4	20,5	11	57	37	110	97	-	M26x1,5	5,25	5	36	9	13	18	NC11L0301GET330
		Psi 5075	inch 1,69	0,78	4,59	1,91	0,81	0,43	2,24	1,46	4,33	3,82	-		0,21	0,20	1,42	0,35	0,51	0,71	
GE2 18L + QC PP 12,5 FEMALE	13	MPa 35	mm 43	19,7	123	48,4	-	11	57	37	110	97	38	M26x1,5	5,25	5	36	9	13	18	NC12L0301GET330
		Psi 5075	inch 1,69	0,78	4,84	1,91	-	0,43	2,24	1,46	4,33	3,82	1,50		0,21	0,20	1,42	0,35	0,51	0,71	
GE2 22L + QC PP 20 MALE	20	MPa 25	mm 57	25,4	142	62,5	29,1	14	75,5	49	180	105	-	M30x2	6,25	6	50	14	20	22	NC11L0400GET430
		Psi 3625	inch 2,24	1,00	5,59	2,46	1,15	0,55	2,97	1,93	7,09	4,13	-		0,25	0,24	1,97	0,55	0,79	0,87	
GE2 22L + QC PP 20 FEMALE	20	MPa 25	mm 57	25,4	154	62,5	-	14	75,5	49	180	105	47	M30x2	6,25	6	50	14	20	22	NC12L0400GET430
		Psi 3625	inch 2,24	1,00	6,06	2,46	-	0,55	2,97	1,93	7,09	4,13	1,85		0,25	0,24	1,97	0,55	0,79	0,87	
GE2 28L + QC PP 25 MALE	25	MPa 25	mm 65	29,5	169	66,5	34,4	14	83,5	55	180	113	-	M36x2	6,25	6	50	14	25	28	NC11L0500GET530
		Psi 3625	inch 2,56	1,16	6,65	2,62	1,35	0,55	3,29	2,17	7,09	4,45	-		0,25	0,24	1,97	0,55	0,98	1,10	
GE2 28L + QC PP 25 FEMALE	25	MPa 25	mm 65	29,5	184,5	66,5	-	14	83,5	55	180	113	55	M36x2	6,25	6	50	14	25	28	NC12L0500GET530
		Psi 3625	inch 2,56	1,16	7,26	2,62	-	0,55	3,29	2,17	7,09	4,45	2,17		0,25	0,24	1,97	0,55	0,98	1,10	
GE2 35L + QC PP 25 MALE	25	MPa 25	mm 65	29,5	170	66,5	34,4	14	83,5	55	180	113	-	M45x2	6,25	6	50	14	25	35	NC11L0501GET530
		Psi 3625	inch 2,56	1,16	6,69	2,62	1,35	0,55	3,29	2,17	7,09	4,45	-		0,25	0,24	1,97	0,55	0,98	1,38	
GE2 35L + QC PP 25 FEMALE	25	MPa 25	mm 65	29,5	185,5	66,5	-	14	83,5	55	180	113	55	M45x2	6,25	6	50	14	25	35	NC12L0501GET530
		Psi 3625	inch 2,56	1,16	7,30	2,62	-	0,55	3,29	2,17	7,09	4,45	2,17		0,25	0,24	1,97	0,55	0,98	1,38	

GE2 VGA



FIXING HOLES INCLUDED



GE2 DIN/ISO 228 BSP + ISO 14541 SCREW-TO-CONNECT-COUPLINGS

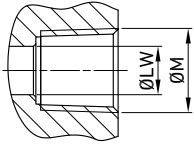


Carbon Steel

ITEM CODE

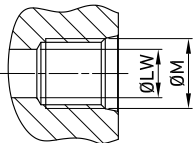
TYPE	DN	PN	A	B	C	D	E	F	G	H	I	A/QC	ØM	ØK*	W*	X*	SW	ØLW	ITEM CODE
GE2 G3/8 + QC VGA 10 MALE	10	MPa 42	mm 40	17,4	114,5	44,4	11	54,25	35	110	93	34	G 3/8	5,25	4,5	34	9	10	NC1560200GET230
		Psi 6090	inch 1,57	0,69	4,51	1,75	0,43	2,14	1,38	4,33	3,66	1,34		0,21	0,18	1,34	0,35	0,39	
GE2 G3/8 + QC VGA 10 FEMALE	10	MPa 42	mm 40	17,4	110	44,4	11	54,25	35	110	93	-	G 3/8	5,25	4,5	34	9	10	NC1660200GET230
		Psi 6090	inch 1,57	0,69	4,33	1,75	0,43	2,14	1,38	4,33	3,66	-		0,21	0,18	1,34	0,35	0,39	
GE2 G1/2 + QC VGA 12,5 MALE	13	MPa 42	mm 43	19,7	127,3	48,4	11	57	37	110	97	43	G 1/2	5,25	5	36	9	13	NC1560300GET330
		Psi 6090	inch 1,69	0,78	5,01	1,91	0,43	2,24	1,46	4,33	3,82	1,69		0,21	0,20	1,42	0,35	0,51	
GE2 G1/2 + QC VGA 12,5 FEMALE	13	MPa 42	mm 43	19,7	117	48,4	11	57	37	110	97	-	G 1/2	5,25	5	36	9	13	NC1660300GET330
		Psi 6090	inch 1,69	0,78	4,61	1,91	0,43	2,24	1,46	4,33	3,82	-		0,21	0,20	1,42	0,35	0,51	
GE2 G3/4 + QC VGA 20 MALE	20	MPa 42	mm 57	25,4	146,5	62,5	14	75,5	49	180	105	48	G 3/4	6,25	6	50	14	20	NC1560400GET430
		Psi 6090	inch 2,24	1,00	5,77	2,46	0,55	2,97	1,93	7,09	4,13	1,89		0,25	0,24	1,97	0,55	0,79	
GE2 G3/4 + QC VGA 20 FEMALE	20	MPa 42	mm 57	25,4	145,1	62,5	14	75,5	49	180	105	-	G 3/4	6,25	6	50	14	20	NC1660400GET430
		Psi 6090	inch 2,24	1,00	5,71	2,46	0,55	2,97	1,93	7,09	4,13	-		0,25	0,24	1,97	0,55	0,79	
GE2 G1 + QC VGA 25 MALE	25	MPa 35	mm 65	29,5	178,5	66,5	14	83,5	55	180	113	57	G 1	6,25	6	50	14	25	NC1560500GET530
		Psi 5075	inch 2,56	1,16	7,03	2,62	0,55	3,29	2,17	7,09	4,45	2,24		0,25	0,24	1,97	0,55	0,98	
GE2 G1 + QC VGA 25 FEMALE	25	MPa 35	mm 65	29,5	175	66,5	14	83,5	55	180	113	-	G 1	6,25	6	50	14	25	NC1660500GET530
		Psi 5075	inch 2,56	1,16	6,89	2,62	0,55	3,29	2,17	7,09	4,45	-		0,25	0,24	1,97	0,55	0,98	



**GE2 VGA**

**GE2 ANSI/ASME B1.20.1 NPT + ISO 14541 SCREW-TO-CONNECT-COUPLINGS**

Carbon Steel

TYPE	DN	PN	A	B	C	D	E	F	G	H	I	A/QC	ØM	ØK*	W*	X*	SW	ØLW	ITEM CODE
GE2 N3/8 + QC VGA 10 MALE	10	MPa 42	mm 40	17,4	114,5	44,4	11	54,25	35	110	93	34	N 3/8	5,25	4,5	34	9	10	NC15N0200GET230
		Psi 6090	inch 1,57	0,69	4,51	1,75	0,43	2,14	1,38	4,33	3,66	1,34		0,21	0,18	1,34	0,35	0,39	
GE2 N3/8 + QC VGA 10 FEMALE	10	MPa 42	mm 40	17,4	110	44,4	11	54,25	35	110	93	-	N 3/8	5,25	4,5	34	9	10	NC16N0200GET230
		Psi 6090	inch 1,57	0,69	4,33	1,75	0,43	2,14	1,38	4,33	3,66	-		0,21	0,18	1,34	0,35	0,39	
GE2 N1/2 + QC VGA 12,5 MALE	13	MPa 42	mm 43	19,7	127,3	48,4	11	57	37	110	97	43	N 1/2	5,25	5	36	9	13	NC15N0300GET330
		Psi 6090	inch 1,69	0,78	5,01	1,91	0,43	2,24	1,46	4,33	3,82	1,69		0,21	0,20	1,42	0,35	0,51	
GE2 N1/2 + QC VGA 12,5 FEMALE	13	MPa 42	mm 43	19,7	117	48,4	11	57	37	110	97	-	N 1/2	5,25	5	36	9	13	NC16N0300GET330
		Psi 6090	inch 1,69	0,78	4,61	1,91	0,43	2,24	1,46	4,33	3,82	-		0,21	0,20	1,42	0,35	0,51	
GE2 N3/4 + QC VGA 20 MALE	20	MPa 42	mm 57	25,4	146,5	62,5	14	75,5	49	180	105	48	N 3/4	6,25	6	50	14	20	NC15N0400GET430
		Psi 6090	inch 2,24	1,00	5,77	2,46	0,55	2,97	1,93	7,09	4,13	1,89		0,25	0,24	1,97	0,55	0,79	
GE2 N3/4 + QC VGA 20 FEMALE	20	MPa 42	mm 57	25,4	145,1	62,5	14	75,5	49	180	105	-	N 3/4	6,25	6	50	14	20	NC16N0400GET430
		Psi 6090	inch 2,24	1,00	5,71	2,46	0,55	2,97	1,93	7,09	4,13	-		0,25	0,24	1,97	0,55	0,79	
GE2 N1 + QC VGA 25 MALE	25	MPa 35	mm 65	29,5	178,5	66,5	14	83,5	55	180	113	57	N 1	6,25	6	50	14	25	NC15N0500GET530
		Psi 5075	inch 2,56	1,16	7,03	2,62	0,55	3,29	2,17	7,09	4,45	2,24		0,25	0,24	1,97	0,55	0,98	
GE2 N1 + QC VGA 25 FEMALE	25	MPa 35	mm 65	29,5	175	66,5	14	83,5	55	180	113	-	N 1	6,25	6	50	14	25	NC16N0500GET530
		Psi 5075	inch 2,56	1,16	6,89	2,62	0,55	3,29	2,17	7,09	4,45	-		0,25	0,24	1,97	0,55	0,98	

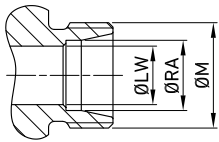
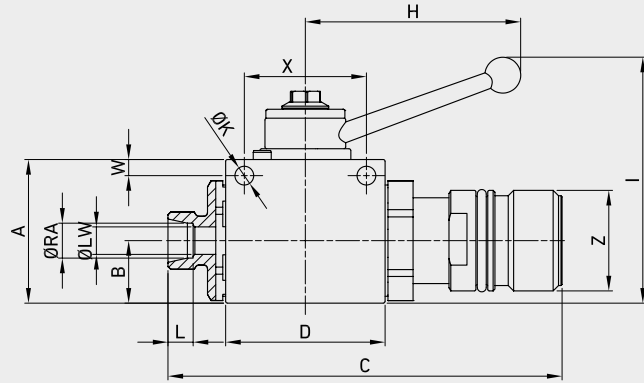
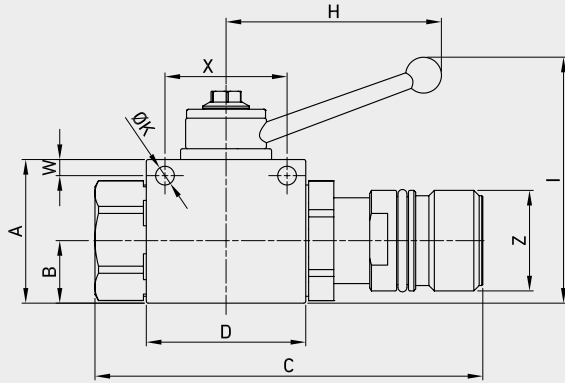

**GE2 SAE J1926-1 + ISO 14541 SCREW-TO-CONNECT-COUPLINGS**

Carbon Steel

TYPE	DN	PN	A	B	C	D	E	F	G	H	I	A/QC	ØM	ØK*	W*	X*	SW	ØLW	ITEM CODE
GE2 SAE6 + QC VGA 10 MALE	10	MPa 42	mm 40	17,5	114,5	44,4	11,1	54,25	35	110	93	34	9/16	5,25	4,5	34	9	10	NC15S0200GET230
		Psi 6090	inch 1,57	0,69	4,51	1,75	0,44	2,14	1,38	4,33	3,66	1,34		UNF	0,21	0,18	1,34	0,35	
GE2 SAE6 + QC VGA 10 FEMALE	10	MPa 42	mm 40	17,5	110	44,4	11,1	54,25	35	110	93	-	9/16	5,25	4,5	34	9	10	NC16S0200GET230
		Psi 6090	inch 1,57	0,69	4,33	1,75	0,44	2,14	1,38	4,33	3,66	-		UNF	0,21	0,18	1,34	0,35	
GE2 SAE8 + QC VGA 12,5 MALE	13	MPa 42	mm 43	19,7	127,3	48,4	11,1	57,25	37	110	97	43	3/4	5,25	5	36	9	13	NC15S0300GET330
		Psi 6090	inch 1,69	0,78	5,01	1,91	0,44	2,25	1,46	4,33	3,82	1,69		UNF	0,21	0,20	1,42	0,35	
GE2 SAE8 + QC VGA 12,5 FEMALE	13	MPa 42	mm 43	19,7	117	48,4	11,1	57,25	37	110	97	-	3/4	5,25	5	36	9	13	NC16S0300GET330
		Psi 6090	inch 1,69	0,78	4,61	1,91	0,44	2,25	1,46	4,33	3,82	-		UNF	0,21	0,20	1,42	0,35	
GE2 SAE12 + QC VGA 20 MALE	20	MPa 42	mm 57	25,4	146,5	62,5	14,35	75,5	49	180	105	48	1 1/16	6,25	6	50	14	20	NC15S0400GET430
		Psi 6090	inch 2,24	1,00	5,77	2,46	0,56	2,97	1,93	7,09	4,13	1,89		UNF	0,25	0,24	1,97	0,55	
GE2 SAE12 + QC VGA 20 FEMALE	20	MPa 42	mm 57	25,4	145,1	62,5	14,35	75,5	49	180	105	-	1 1/16	6,25	6	50	14	20	NC16S0400GET430
		Psi 6090	inch 2,24	1,00	5,71	2,46	0,56	2,97	1,93	7,09	4,13	-		UNF	0,25	0,24	1,97	0,55	
GE2 G1 + QC VGA 25 MALE	25	MPa 35	mm 65	29,5	178,5	66,5	14,35	83,5	55	180	113	57	1 5/16	6,25	6	50	14	25	NC15S0500GET530
		Psi 5075	inch 2,56	1,16	7,03	2,62	0,56	3,29	2,17	7,09	4,45	2,24		UNF	0,25	0,24	1,97	0,55	
GE2 G1 + QC VGA 25 FEMALE	25	MPa 35	mm 65	29,5	175	66,5	14,35	83,5	55	180	113	-	1 5/16	6,25	6	50	14	25	NC16S0500GET530
		Psi 5075	inch 2,56	1,16	6,89	2,62	0,56	3,29	2,17	7,09	4,45	-		UNF	0,25	0,24	1,97	0,55	

GE2 VGA

FIXING HOLES INCLUDED

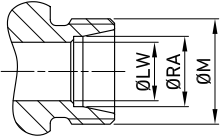


GE2 DIN 2353 HEAVY SERIES + ISO 14541 SCREW-TO-CONNECT-COUPLINGS

CS

Carbon Steel

TYPE	DN	PN	A	B	C	D	E	F	G	H	I	A/QC	ØM	ØK*	W*	X*	SW	ØLW	ØRA	ITEM CODE
GE2 12S + QC VGA 10 MALE	10	MPa 42	mm 40	17,4	116	44,4	11	54,25	35	110	93	34	M20x1,5	5,25	4,5	34	9	10	12	NC15H0200GET230
		Psi 6090	inch 1,57	0,69	4,57	1,75	0,43	2,14	1,38	4,33	3,66	1,34		0,21	0,18	1,34	0,35	0,39	0,47	
GE2 12S + QC VGA 10 FEMALE	10	MPa 42	mm 40	17,4	109,5	44,4	11	54,25	35	110	93	-	M20x1,5	5,25	4,5	34	9	10	12	NC16H0200GET230
		Psi 6090	inch 1,57	0,69	4,31	1,75	0,43	2,14	1,38	4,33	3,66	-		0,21	0,18	1,34	0,35	0,39	0,47	
GE2 14S + QC VGA 10 MALE	10	MPa 42	mm 40	17,4	119,2	44,4	11	54,25	35	110	93	34	M22x1,5	5,25	4,5	34	9	10	14	NC15H0201GET230
		Psi 6090	inch 1,57	0,69	4,69	1,75	0,43	2,14	1,38	4,33	3,66	1,34		0,21	0,18	1,34	0,35	0,39	0,55	
GE2 14S + QC VGA 10 FEMALE	10	MPa 42	mm 40	17,4	112,7	44,4	11	54,25	35	110	93	-	M22x1,5	5,25	4,5	34	9	10	14	NC16H0201GET230
		Psi 6090	inch 1,57	0,69	4,44	1,75	0,43	2,14	1,38	4,33	3,66	-		0,21	0,18	1,34	0,35	0,39	0,55	
GE2 16S + QC VGA 12,5 MALE	13	MPa 42	mm 43	19,7	130,3	48,4	11	57	37	110	97	43	M24x1,5	5,25	5	36	9	13	16	NC15H0300GET330
		Psi 6090	inch 1,69	0,78	5,13	1,91	0,43	2,24	1,46	4,33	3,82	1,69		0,21	0,20	1,42	0,35	0,51	0,63	
GE2 16S + QC VGA 12,5 FEMALE	13	MPa 42	mm 43	19,7	120	48,4	11	57	37	110	97	-	M24x1,5	5,25	5	36	9	13	16	NC16H0300GET330
		Psi 6090	inch 1,69	0,78	4,72	1,91	0,43	2,24	1,46	4,33	3,82	-		0,21	0,20	1,42	0,35	0,51	0,63	
GE2 20S + QC VGA 12,5 MALE	13	MPa 42	mm 43	19,7	132	48,4	11	57	37	110	97	43	M30x2	5,25	5	36	9	13	20	NC15H0301GET330
		Psi 6090	inch 1,69	0,78	5,20	1,91	0,43	2,24	1,46	4,33	3,82	1,69		0,21	0,20	1,42	0,35	0,51	0,79	
GE2 20S + QC VGA 12,5 FEMALE	13	MPa 42	mm 43	19,7	122	48,4	11	57	37	110	97	-	M30x2	5,25	5	36	9	13	20	NC16H0301GET330
		Psi 6090	inch 1,69	0,78	4,80	1,91	0,43	2,24	1,46	4,33	3,82	-		0,21	0,20	1,42	0,35	0,51	0,79	
GE2 25S + QC VGA 20 MALE	20	MPa 42	mm 57	25,4	154	62,5	14	75,5	49	180	105	48	M36x2	6,25	6	50	14	20	25	NC15H0400GET430
		Psi 6090	inch 2,24	1,00	6,06	2,46	0,55	2,97	1,93	7,09	4,13	1,89		0,25	0,24	1,97	0,55	0,79	0,98	
GE2 25S + QC VGA 20 FEMALE	20	MPa 42	mm 57	25,4	153,1	62,5	14	75,5	49	180	105	-	M36x2	6,25	6	50	14	20	25	NC16H0400GET430
		Psi 6090	inch 2,24	1,00	6,03	2,46	0,55	2,97	1,93	7,09	4,13	-		0,25	0,24	1,97	0,55	0,79	0,98	
GE2 30S + QC VGA 25 MALE	25	MPa 35	mm 65	29,5	182,6	66,5	14	83,5	55	180	113	57	M42x2	6,25	6	50	14	25	30	NC15H0500GET530
		Psi 5075	inch 2,56	1,16	7,19	2,62	0,55	3,29	2,17	7,09	4,45	2,24		0,25	0,24	1,97	0,55	0,98	1,18	
GE2 30S + QC VGA 25 FEMALE	25	MPa 35	mm 65	29,5	179,1	66,5	14	83,5	55	180	113	-	M42x2	6,25	6	50	14	25	30	NC16H0500GET530
		Psi 5075	inch 2,56	1,16	7,05	2,62	0,55	3,29	2,17	7,09	4,45	-		0,25	0,24	1,97	0,55	0,98	1,18	
GE2 38S + QC VGA 25 MALE	25	MPa 35	mm 65	29,5	188	66,5	14	83,5	55	180	113	57	M52x2	6,25	6	50	14	25	38	NC15H0501GET530
		Psi 5075	inch 2,56	1,16	7,40	2,62	0,55	3,29	2,17	7,09	4,45	2,24		0,25	0,24	1,97	0,55	0,98	1,50	
GE2 38S + QC VGA 25 FEMALE	25	MPa 35	mm 65	29,5	184,5	66,5	14	83,5	55	180	113	-	M52x2	6,25	6	50	14	25	38	NC16H0501GET530
		Psi 5075	inch 2,56	1,16	7,26	2,62	0,55	3,29	2,17	7,09	4,45	-		0,25	0,24	1,97	0,55	0,98	1,50	

**GE2 VGA**

**GE2 DIN 2353 LIGHT SERIES + ISO 14541 SCREW-TO-CONNECT-COUPLINGS**


Carbon Steel

TYPE	DN	PN	A	B	C	D	E	F	G	H	I	A/QC	ØM	ØK*	W*	X*	SW	ØLW	ØRA	ITEM CODE
GE2 10L + QC VGA 10 MALE	10	MPa 42	mm 40	17,4	116,2	44,4	11	54,25	35	110	93	34	M16x1,5	5,25	4,5	34	9	8	10	NC15L0200GET230
		Psi 6090	inch 1,57	0,69	4,57	1,75	0,43	2,14	1,38	4,33	3,66	1,34		0,21	0,18	1,34	0,35	0,31	0,39	
GE2 10L + QC VGA 10 FEMALE	10	MPa 42	mm 40	17,4	109,7	44,4	11	54,25	35	110	93	-	M16x1,5	5,25	4,5	34	9	8	10	NC16L0200GET230
		Psi 6090	inch 1,57	0,69	4,32	1,75	0,43	2,14	1,38	4,33	3,66	-		0,21	0,18	1,34	0,35	0,31	0,39	
GE2 12L + QC VGA 10 MALE	10	MPa 42	mm 40	17,4	117,8	44,4	11	54,25	35	110	93	34	M18x1,5	5,25	4,5	34	9	10	12	NC15L0201GET230
		Psi 6090	inch 1,57	0,69	4,64	1,75	0,43	2,14	1,38	4,33	3,66	1,34		0,21	0,18	1,34	0,35	0,39	0,47	
GE2 12L + QC VGA 10 FEMALE	10	MPa 42	mm 40	17,4	111,3	44,4	11	54,25	35	110	93	-	M18x1,5	5,25	4,5	34	9	10	12	NC16L0201GET230
		Psi 6090	inch 1,57	0,69	4,38	1,75	0,43	2,14	1,38	4,33	3,66	-		0,21	0,18	1,34	0,35	0,39	0,47	
GE2 15L + QC VGA 12,5 MALE	13	MPa 42	mm 43	19,7	129,3	48,4	11	57	37	110	97	43	M22x1,5	5,25	5	36	9	13	15	NC15L0300GET330
		Psi 6090	inch 1,69	0,78	5,09	1,91	0,43	2,24	1,46	4,33	3,82	1,69		0,21	0,20	1,42	0,35	0,51	0,59	
GE2 15L + QC VGA 12,5 FEMALE	13	MPa 42	mm 43	19,7	119	48,4	11	57	37	110	97	-	M22x1,5	5,25	5	36	9	13	15	NC16L0300GET330
		Psi 6090	inch 1,69	0,78	4,69	1,91	0,43	2,24	1,46	4,33	3,82	-		0,21	0,20	1,42	0,35	0,51	0,59	
GE2 18L + QC VGA 12,5 MALE	13	MPa 42	mm 43	19,7	129,3	48,4	11	57	37	110	97	43	M26x1,5	5,25	5	36	9	13	18	NC15L0301GET330
		Psi 6090	inch 1,69	0,78	5,09	1,91	0,43	2,24	1,46	4,33	3,82	1,69		0,21	0,20	1,42	0,35	0,51	0,71	
GE2 18L + QC VGA 12,5 FEMALE	13	MPa 42	mm 43	19,7	119	48,4	11	57	37	110	97	-	M26x1,5	5,25	5	36	9	13	18	NC16L0301GET330
		Psi 6090	inch 1,69	0,78	4,69	1,91	0,43	2,24	1,46	4,33	3,82	-		0,21	0,20	1,42	0,35	0,51	0,71	
GE2 22L + QC VGA 20 MALE	20	MPa 42	mm 57	25,4	153,5	62,5	14	75,5	49	180	105	48	M30x2	6,25	6	50	14	20	22	NC15L0400GET430
		Psi 6090	inch 2,24	1,00	6,04	2,46	0,55	2,97	1,93	7,09	4,13	1,89		0,25	0,24	1,97	0,55	0,79	0,87	
GE2 22L + QC VGA 20 FEMALE	20	MPa 42	mm 57	25,4	152,6	62,5	14	75,5	49	180	105	-	M30x2	6,25	6	50	14	20	22	NC16L0400GET430
		Psi 6090	inch 2,24	1,00	6,01	2,46	0,55	2,97	1,93	7,09	4,13	-		0,25	0,24	1,97	0,55	0,79	0,87	
GE2 28L + QC VGA 25 MALE	25	MPa 35	mm 65	29,5	181	66,5	14	83,5	55	180	113	57	M36x2	6,25	6	50	14	25	28	NC15L0500GET530
		Psi 5075	inch 2,56	1,16	7,13	2,62	0,55	3,29	2,17	7,09	4,45	2,24		0,25	0,24	1,97	0,55	0,98	1,10	
GE2 28L + QC VGA 25 FEMALE	25	MPa 35	mm 65	29,5	177,5	66,5	14	83,5	55	180	113	-	M36x2	6,25	6	50	14	25	28	NC16L0500GET530
		Psi 5075	inch 2,56	1,16	6,99	2,62	0,55	3,29	2,17	7,09	4,45	-		0,25	0,24	1,97	0,55	0,98	1,10	
GE2 35L + QC VGA 25 MALE	25	MPa 35	mm 65	29,5	182	66,5	14	83,5	55	180	113	57	M45x2	6,25	6	50	14	25	35	NC15L0501GET530
		Psi 5075	inch 2,56	1,16	7,17	2,62	0,55	3,29	2,17	7,09	4,45	2,24		0,25	0,24	1,97	0,55	0,98	1,38	
GE2 35L + QC VGA 25 FEMALE	25	MPa 35	mm 65	29,5	178,5	66,5	14	83,5	55	180	113	-	M45x2	6,25	6	50	14	25	35	NC16L0501GET530
		Psi 5075	inch 2,56	1,16	7,03	2,62	0,55	3,29	2,17	7,09	4,45	-		0,25	0,24	1,97	0,55	0,98	1,38	



# BALL VALVES WITH INTEGRATED QUICK COUPLINGS

## GV2 / GV3

Edition. 21.0

### CS Carbon Steel

- Model: Ball Valve GV2 with Integrated Quick Coupling **FLAT FACE**
- Sizes: from DN10 up to DN32
- Pressure: up to PN500
- Treatment: Galvanized
  
- Model: Ball Valve GV2 with Integrated Quick Coupling **VGF**
- Sizes: from DN10 up to DN32
- Pressure: up to PN500
- Treatment: Galvanized

AVAILABLE ALSO IN OTHER MODELS OF BALL VALVES AND QUICK COUPLINGS





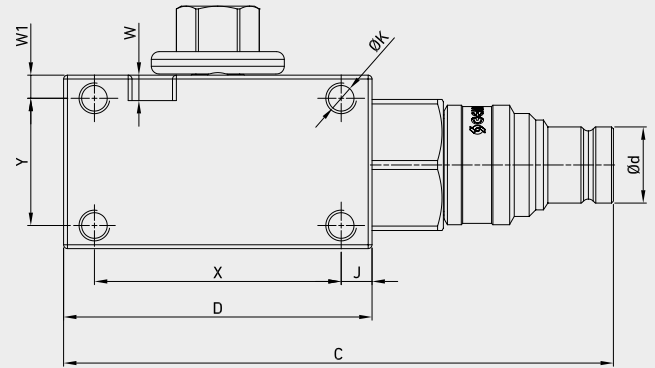
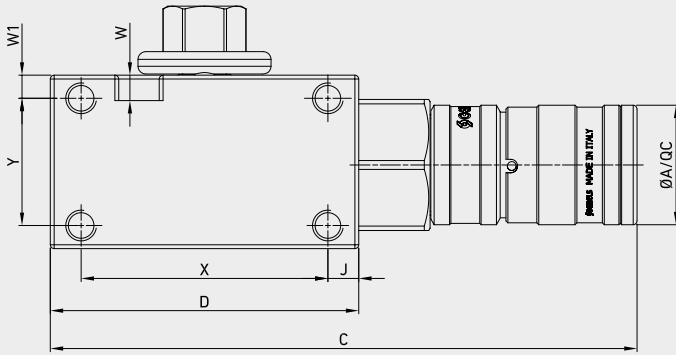
## CODE DESCRIPTION STRUCTURE

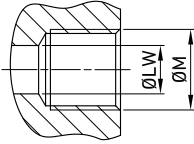
			GV2	G1/2	DN13	FF				
<b>Type and way of valve</b>										
GV2 2-way										
<b>Ends</b>										
<b>GAS DIN/ ISO 228 BSP</b>	<b>NPT ANSI /ASME B1.20.1</b>	<b>SAE J1926-1</b>					<b>Nominal dimension</b>	<b>TYPE AND WAY OF QC</b>	<b>M/F</b>	<b>NOMINAL DIMENSION</b>
G 3/8	N 3/8	SAE6					DN10	ISO 16028 FF	MALE	10
G 1/2	N 1/2	SAE8					DN13	VGf	FEMALE	12,5
G 3/4	N 3/4	SAE12					DN20			20
G 1	N 1	SAE16					DN25			25
G 1 1/4	N 1 1/4	SAE20 R SAE20					DN32			32

GV2 FF



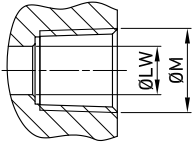
FIXING HOLES INCLUDED



**GV2 FF**

**GV2 + QC FLAT FACE DIN/ISO 228 BSP**

TYPE	DN	PN	A	B	C	D	E	ES.V	F	G	I	ØM	ØP	ØQ	R	S	T	U	W	SW	ØLW	ØA/QC	Ød	WEIGHT	
GV2 G 3/8 + FF MALE	10	MPa 50	mm	43	20,4	127	70	14,1	19	57,1	37	60,9	G 3/8	10,5	6,25	6,5	16	54	24	6,6	9	10	-	19,75	kg 0,919
		Psi 7250	inch	1,69	0,80	5,00	2,76	0,56	0,75	2,25	1,46	2,40		0,41	0,25	0,26	0,63	2,13	0,94	0,26	0,35	0,39	-	19,75	lb 2,03
GV2 G 3/8 + FF FEMALE	10	MPa 50	mm	43	20,4	137	70	14,1	19	57,1	37	60,9	G 3/8	10,5	6,25	6,5	16	54	24	6,6	9	10	31	-	kg 0,919
		Psi 7250	inch	1,69	0,80	5,39	2,76	0,56	0,75	2,25	1,46	2,40		0,41	0,25	0,26	0,63	2,13	0,94	0,26	0,35	0,39	31	-	lb 2,03
GV2 G 1/2+ FF MALE	13	MPa 50	mm	45	21,7	141,5	80	14,1	19	59,1	45	62,9	G 1/2	10,5	6,25	6,5	23	57	32	6,6	9	13	-	24,5	kg 1,307
		Psi 7250	inch	1,77	0,85	5,57	3,15	0,56	0,75	2,33	1,77	2,48		0,41	0,25	0,26	0,91	2,24	1,26	0,26	0,35	0,51	-	24,5	lb 2,88
GV2 G 1/2+ FF FEMALE	13	MPa 50	mm	45	21,7	149	80	14,1	19	59,1	45	62,9	G 1/2	10,5	6,25	6,5	23	57	32	6,6	9	13	38	-	kg 1,307
		Psi 7250	inch	1,77	0,85	5,87	3,15	0,56	0,75	2,33	1,77	2,48		0,41	0,25	0,26	0,91	2,24	1,26	0,26	0,35	0,51	38	-	lb 2,88
GV2 G 3/4+ FF MALE	20	MPa 50	mm	55	23,4	169	101	18,5	24	73,5	55	78	G 3/4	13,5	9	7,5	25,5	75,5	40	8	14	20	-	29,95	kg 2,424
		Psi 7250	inch	2,17	0,92	6,65	3,98	0,73	0,94	2,89	2,17	3,07		0,53	0,35	0,30	1,00	2,97	1,57	0,31	0,55	0,79	-	29,95	lb 5,34
GV2 G 3/4+ FF FEMALE	20	MPa 50	mm	55	23,4	180	101	18,5	24	73,5	55	78	G 3/4	13,5	9	7,5	25,5	75,5	40	8	14	20	44	-	kg 2,424
		Psi 7250	inch	2,17	0,92	7,09	3,98	0,73	0,94	2,89	2,17	3,07		0,53	0,35	0,30	1,00	2,97	1,57	0,31	0,55	0,79	44	-	lb 5,34
GV2 G 1+ FF MALE	25	MPa 50	mm	65	29,5	190,5	105	18,5	24	83,5	65	88	G 1	13,5	9	8,5	27,5	77,5	48	8	14	25	-	36	kg 3,446
		Psi 7250	inch	2,56	1,16	7,50	4,13	0,73	0,94	3,29	2,56	3,46		0,53	0,35	0,33	1,08	3,05	1,89	0,31	0,55	0,98	-	36	lb 7,60
GV2 G 1+ FF FEMALE	25	MPa 50	mm	65	29,5	190,5	105	18,5	24	83,5	65	88	G 1	13,5	9	8,5	27,5	77,5	48	8	14	25	54,5	-	kg 3,446
		Psi 7250	inch	2,56	1,16	7,50	4,13	0,73	0,94	3,29	2,56	3,46		0,53	0,35	0,33	1,08	3,05	1,89	0,31	0,55	0,98	54,5	-	lb 7,60
GV2 G 1 1/4 R+ FF MALE	25	MPa 50	mm	65	29,5	190,5	105	18,5	24	83,5	65	88	G 1	13,5	9	8,5	27,5	77,5	48	8	14	25	-	36	kg 3,265
		Psi 7250	inch	2,56	1,16	7,50	4,13	0,73	0,94	3,29	2,56	3,46		1/4 R	0,53	0,35	0,33	1,08	3,05	1,89	0,31	0,55	0,98	-	36
GV2 G 1 1/4 R+ FF FEMALE	25	MPa 50	mm	65	29,5	190,5	105	18,5	24	83,5	65	88	G 1	13,5	9	8,5	27,5	77,5	48	8	14	25	54,5	-	kg 3,265
		Psi 7250	inch	2,56	1,16	7,50	4,13	0,73	0,94	3,29	2,56	3,46		1/4 R	0,53	0,35	0,33	1,08	3,05	1,89	0,31	0,55	0,98	54,5	-
GV2 G 1 1/4+ FF MALE	32	MPa 50	mm	80	33,5	190,5	105	18,5	30	98,5	80	104	G 1	13,5	9	10	24,5	80,5	60	8	17	32	-	36	kg 4,991
		Psi 7250	inch	3,15	1,32	7,50	4,13	0,73	1,18	3,88	3,15	4,09		1/4	0,53	0,35	0,39	0,96	3,17	2,36	0,31	0,67	1,26	-	36
GV2 G 1 1/4+ FF FEMALE	32	MPa 50	mm	80	33,5	190,5	105	18,5	30	98,5	80	104	G 1	13,5	9	10	24,5	80,5	60	8	17	32	54,5	-	kg 4,991
		Psi 7250	inch	3,15	1,32	7,50	4,13	0,73	1,18	3,88	3,15	4,09		1/4	0,53	0,35	0,39	0,96	3,17	2,36	0,31	0,67	1,26	54,5	-

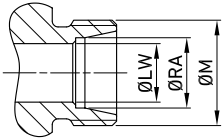
## GV2 FF



### GV2 + QC FLAT FACE ANSI/ASME B1.20.1 NPT

TYPE	DN	PN	A	B	C	D	E	ES.V	F	G	I	ØM	ØP	ØQ	R	S	T	U	W	SW	ØLW	ØA/QC	Ød	WEIGHT
GV2 G 3/8 + FF MALE	10	MPa 50	mm 43	20,4	127	70	14,1	19	57,1	37	60,9	N 3/8	10,5	6,25	6,5	16	54	24	6,6	9	10	19,75	kg	0,919
		Psi 7250	inch 1,69	0,80	5,00	2,76	0,56	0,75	2,25	1,46	2,40		0,41	0,25	0,26	0,63	2,13	0,94	0,26	0,35	0,39		lb	2,03
GV2 G 3/8 + FF FEMALE	10	MPa 50	mm 43	20,4	137	70	14,1	19	57,1	37	60,9	N 3/8	10,5	6,25	6,5	16	54	24	6,6	9	10	31	kg	0,919
		Psi 7250	inch 1,69	0,80	5,39	2,76	0,56	0,75	2,25	1,46	2,40		0,41	0,25	0,26	0,63	2,13	0,94	0,26	0,35	0,39		lb	2,03
GV2 G 1/2+ FF MALE	13	MPa 50	mm 45	21,7	141,5	80	14,1	19	59,1	45	62,9	N 1/2	10,5	6,25	6,5	23	57	32	6,6	9	13	24,5	kg	1,307
		Psi 7250	inch 1,77	0,85	5,57	3,15	0,56	0,75	2,33	1,77	2,48		0,41	0,25	0,26	0,91	2,24	1,26	0,26	0,35	0,51		lb	2,88
GV2 G 1/2+ FF FEMALE	13	MPa 50	mm 45	21,7	149	80	14,1	19	59,1	45	62,9	N 1/2	10,5	6,25	6,5	23	57	32	6,6	9	13	38	kg	1,307
		Psi 7250	inch 1,77	0,85	5,87	3,15	0,56	0,75	2,33	1,77	2,48		0,41	0,25	0,26	0,91	2,24	1,26	0,26	0,35	0,51		lb	2,88
GV2 G 3/4+ FF MALE	20	MPa 50	mm 55	23,4	169	101	18,5	24	73,5	55	78	N 3/4	13,5	9	7,5	25,5	75,5	40	8	14	20	29,95	kg	2,424
		Psi 7250	inch 2,17	0,92	6,65	3,98	0,73	0,94	2,89	2,17	3,07		0,53	0,35	0,30	1,00	2,97	1,57	0,31	0,55	0,79		lb	5,34
GV2 G 3/4+ FF FEMALE	20	MPa 50	mm 55	23,4	180	101	18,5	24	73,5	55	78	N 3/4	13,5	9	7,5	25,5	75,5	40	8	14	20	44	kg	2,424
		Psi 7250	inch 2,17	0,92	7,09	3,98	0,73	0,94	2,89	2,17	3,07		0,53	0,35	0,30	1,00	2,97	1,57	0,31	0,55	0,79		lb	5,34
GV2 G 1+ FF MALE	25	MPa 50	mm 65	29,5	190,5	105	18,5	24	83,5	65	88	N 1	13,5	9	8,5	27,5	77,5	48	8	14	25	36	kg	3,446
		Psi 7250	inch 2,56	1,16	7,50	4,13	0,73	0,94	3,29	2,56	3,46		0,53	0,35	0,33	1,08	3,05	1,89	0,31	0,55	0,98		lb	7,60
GV2 G 1+ FF FEMALE	25	MPa 50	mm 65	29,5	190,5	105	18,5	24	83,5	65	88	N 1	13,5	9	8,5	27,5	77,5	48	8	14	25	54,5	kg	3,446
		Psi 7250	inch 2,56	1,16	7,50	4,13	0,73	0,94	3,29	2,56	3,46		0,53	0,35	0,33	1,08	3,05	1,89	0,31	0,55	0,98		lb	7,60
GV2 G 1 1/4 R+ FF MALE	25	MPa 50	mm 65	29,5	190,5	105	18,5	24	83,5	65	88	N 1	13,5	9	8,5	27,5	77,5	48	8	14	25	36	kg	3,265
		Psi 7250	inch 2,56	1,16	7,50	4,13	0,73	0,94	3,29	2,56	3,46		1/4 R	0,53	0,35	0,33	1,08	3,05	1,89	0,31	0,55		0,98	lb
GV2 G 1 1/4 R+ FF FEMALE	25	MPa 50	mm 65	29,5	190,5	105	18,5	24	83,5	65	88	N 1	13,5	9	8,5	27,5	77,5	48	8	14	25	54,5	kg	3,265
		Psi 7250	inch 2,56	1,16	7,50	4,13	0,73	0,94	3,29	2,56	3,46		1/4 R	0,53	0,35	0,33	1,08	3,05	1,89	0,31	0,55		0,98	lb
GV2 G 1 1/4+ FF MALE	32	MPa 50	mm 80	33,5	190,5	105	18,5	30	98,5	80	104	N 1	13,5	9	10	24,5	80,5	60	8	17	32	36	kg	4,991
		Psi 7250	inch 3,15	1,32	7,50	4,13	0,73	1,18	3,88	3,15	4,09		1/4	0,53	0,35	0,39	0,96	3,17	2,36	0,31	0,67		1,26	lb
GV2 G 1 1/4+ FF FEMALE	32	MPa 50	mm 80	33,5	190,5	105	18,5	30	98,5	80	104	N 1	13,5	9	10	24,5	80,5	60	8	17	32	54,5	kg	4,991
		Psi 7250	inch 3,15	1,32	7,50	4,13	0,73	1,18	3,88	3,15	4,09		1/4	0,53	0,35	0,39	0,96	3,17	2,36	0,31	0,67		1,26	lb



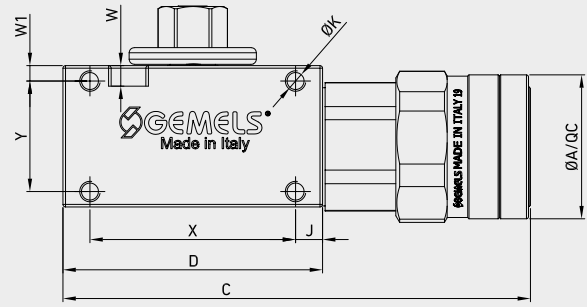
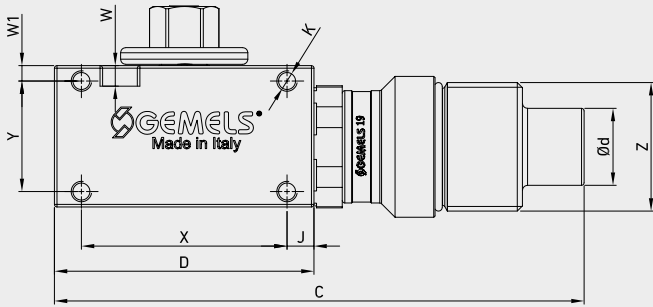
**GV2 FF**

**GV2 + QC FLAT FACE SAE J1926-1**

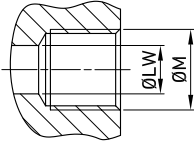
TYPE	DN	PN	A	B	C	D	E	ES.V	F	G	I	ØM	ØP	ØQ	R	S	T	U	W	SW	ØLW	ØA/QC	Ød	WEIGHT	
GV2 G 3/8 + FF MALE	10	MPa 50	mm	43	20,4	127	70	14,1	19	57,1	37	60,9	SAE	10,5	6,25	6,5	16	54	24	6,6	9	10	19,75	kg	0,919
		Psi 7250	inch	1,69	0,80	5,00	2,76	0,56	0,75	2,25	1,46	2,40	6	0,41	0,25	0,26	0,63	2,13	0,94	0,26	0,35	0,39		lb	2,03
GV2 G 3/8 + FF FEMALE	10	MPa 50	mm	43	20,4	137	70	14,1	19	57,1	37	60,9	SAE	10,5	6,25	6,5	16	54	24	6,6	9	10	31	kg	0,919
		Psi 7250	inch	1,69	0,80	5,39	2,76	0,56	0,75	2,25	1,46	2,40	6	0,41	0,25	0,26	0,63	2,13	0,94	0,26	0,35	0,39		lb	2,03
GV2 G 1/2+ FF MALE	13	MPa 50	mm	45	21,7	141,5	80	14,1	19	59,1	45	62,9	SAE	10,5	6,25	6,5	23	57	32	6,6	9	13	24,5	kg	1,307
		Psi 7250	inch	1,77	0,85	5,57	3,15	0,56	0,75	2,33	1,77	2,48	8	0,41	0,25	0,26	0,91	2,24	1,26	0,26	0,35	0,51		lb	2,88
GV2 G 1/2+ FF FEMALE	13	MPa 50	mm	45	21,7	149	80	14,1	19	59,1	45	62,9	SAE	10,5	6,25	6,5	23	57	32	6,6	9	13	38	kg	1,307
		Psi 7250	inch	1,77	0,85	5,87	3,15	0,56	0,75	2,33	1,77	2,48	8	0,41	0,25	0,26	0,91	2,24	1,26	0,26	0,35	0,51		lb	2,88
GV2 G 3/4+ FF MALE	20	MPa 50	mm	55	23,4	169	101	18,5	24	73,5	55	78	SAE	13,5	9	7,5	25,5	75,5	40	8	14	20	29,95	kg	2,424
		Psi 7250	inch	2,17	0,92	6,65	3,98	0,73	0,94	2,89	2,17	3,07	12	0,53	0,35	0,30	1,00	2,97	1,57	0,31	0,55	0,79		lb	5,34
GV2 G 3/4+ FF FEMALE	20	MPa 50	mm	55	23,4	180	101	18,5	24	73,5	55	78	SAE	13,5	9	7,5	25,5	75,5	40	8	14	20	44	kg	2,424
		Psi 7250	inch	2,17	0,92	7,09	3,98	0,73	0,94	2,89	2,17	3,07	12	0,53	0,35	0,30	1,00	2,97	1,57	0,31	0,55	0,79		lb	5,34
GV2 G 1+ FF MALE	25	MPa 50	mm	65	29,5	190,5	105	18,5	24	83,5	65	88	SAE	13,5	9	8,5	27,5	77,5	48	8	14	25	36	kg	3,446
		Psi 7250	inch	2,56	1,16	7,50	4,13	0,73	0,94	3,29	2,56	3,46	16	0,53	0,35	0,33	1,08	3,05	1,89	0,31	0,55	0,98		lb	7,60
GV2 G 1+ FF FEMALE	25	MPa 50	mm	65	29,5	190,5	105	18,5	24	83,5	65	88	SAE	13,5	9	8,5	27,5	77,5	48	8	14	25	54,5	kg	3,446
		Psi 7250	inch	2,56	1,16	7,50	4,13	0,73	0,94	3,29	2,56	3,46	16	0,53	0,35	0,33	1,08	3,05	1,89	0,31	0,55	0,98		lb	7,60
GV2 G 1 1/4 R+ FF MALE	25	MPa 50	mm	65	29,5	190,5	105	18,5	24	83,5	65	88	SAE	13,5	9	8,5	27,5	77,5	48	8	14	25	36	kg	3,265
		Psi 7250	inch	2,56	1,16	7,50	4,13	0,73	0,94	3,29	2,56	3,46	20 R	0,53	0,35	0,33	1,08	3,05	1,89	0,31	0,55	0,98		lb	7,20
GV2 G 1 1/4 R+ FF FEMALE	25	MPa 50	mm	65	29,5	190,5	105	18,5	24	83,5	65	88	SAE	13,5	9	8,5	27,5	77,5	48	8	14	25	54,5	kg	3,265
		Psi 7250	inch	2,56	1,16	7,50	4,13	0,73	0,94	3,29	2,56	3,46	20 R	0,53	0,35	0,33	1,08	3,05	1,89	0,31	0,55	0,98		lb	7,20
GV2 G 1 1/4+ FF MALE	32	MPa 50	mm	80	33,5	190,5	105	18,5	30	98,5	80	104	SAE	13,5	9	10	24,5	80,5	60	8	17	32	36	kg	4,991
		Psi 7250	inch	3,15	1,32	7,50	4,13	0,73	1,18	3,88	3,15	4,09	20	0,53	0,35	0,39	0,96	3,17	2,36	0,31	0,67	1,26		lb	11,00
GV2 G 1 1/4+FF FEMALE	32	MPa 50	mm	80	33,5	190,5	105	18,5	30	98,5	80	104	SAE	13,5	9	10	24,5	80,5	60	8	17	32	54,5	kg	4,991
		Psi 7250	inch	3,15	1,32	7,50	4,13	0,73	1,18	3,88	3,15	4,09	20	0,53	0,35	0,39	0,96	3,17	2,36	0,31	0,67	1,26		lb	11,00

**GV2 VGF**



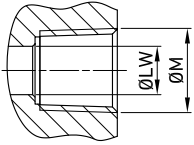
**FIXING HOLES INCLUDED**



**GV2 VGF**

**GV2+ QC VGF DIN/ISO 228 BSP**

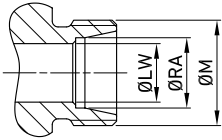
TYPE	DN	PN	A	B	C	D	E	ES.V	F	G	I	ØM	ØP	ØQ	R	S	T	U	W	SW	ØLW	ØA/QC	Ød	Z	WEIGHT
GV2 G 3/8 + VGF MALE	10	MPa 50	mm 43	20,4	153	70	14,1	19	57,1	37	60,9	G 3/8	10,5	6,25	6,5	16	54	24	6,6	9	10		19,75	M33X2	kg 0,919
		Psi 7250	inch 1,69	0,80	6,02	2,76	0,56	0,75	2,25	1,46	2,40		0,41	0,25	0,26	0,63	2,13	0,94	0,26	0,35	0,39		0,78	M33X2	lb 2,03
GV2 G 3/8 + VGF FEMALE	10	MPa 50	mm 43	20,4	133,5	70	14,1	19	57,1	37	60,9	G 3/8	10,5	6,25	6,5	16	54	24	6,6	9	10	38,6		M33X2	kg 0,919
		Psi 7250	inch 1,69	0,80	5,26	2,76	0,56	0,75	2,25	1,46	2,40		0,41	0,25	0,26	0,63	2,13	0,94	0,26	0,35	0,39			M33X2	lb 2,03
GV2 G 1/2+ VGF MALE	13	MPa 50	mm 45	21,7	169,5	80	14,1	19	59,1	45	62,9	G 1/2	10,5	6,25	6,5	23	57	32	6,6	9	13		24,5	M40X3	kg 1,307
		Psi 7250	inch 1,77	0,85	6,67	3,15	0,56	0,75	2,33	1,77	2,48		0,41	0,25	0,26	0,91	2,24	1,26	0,26	0,35	0,51		0,96	M40X3	lb 2,88
GV2 G 1/2+ VGF FEMALE	13	MPa 50	mm 45	21,7	148	80	14,1	19	59,1	45	62,9	G 1/2	10,5	6,25	6,5	23	57	32	6,6	9	13	46		M40X3	kg 1,307
		Psi 7250	inch 1,77	0,85	5,83	3,15	0,56	0,75	2,33	1,77	2,48		0,41	0,25	0,26	0,91	2,24	1,26	0,26	0,35	0,51			M40X3	lb 2,88
GV2 G 3/4+ VGF MALE	20	MPa 50	mm 55	23,4	208	101	18,5	24	73,5	55	78	G 3/4	13,5	9	7,5	25,5	75,5	40	8	14	20		29,95	M50X3	kg 2,424
		Psi 7250	inch 2,17	0,92	8,19	3,98	0,73	0,94	2,89	2,17	3,07		0,53	0,35	0,30	1,00	2,97	1,57	0,31	0,55	0,79		1,18	M50X3	lb 5,34
GV2 G 3/4+ VGF FEMALE	20	MPa 50	mm 55	23,4	181,9	101	18,5	24	73,5	55	78	G 3/4	13,5	9	7,5	25,5	75,5	40	8	14	20	56		M50X3	kg 2,424
		Psi 7250	inch 2,17	0,92	7,16	3,98	0,73	0,94	2,89	2,17	3,07		0,53	0,35	0,30	1,00	2,97	1,57	0,31	0,55	0,79			M50X3	lb 5,34
GV2 G 1+ VGF MALE	25	MPa 50	mm 65	29,5	212	105	18,5	24	83,5	65	88	G 1	13,5	9	8,5	27,5	77,5	48	8	14	25		36	M58X3	kg 3,446
		Psi 7250	inch 2,56	1,16	8,35	4,13	0,73	0,94	3,29	2,56	3,46		0,53	0,35	0,33	1,08	3,05	1,89	0,31	0,55	0,98		1,42	M58X3	lb 7,60
GV2 G 1+ VGF FEMALE	25	MPa 50	mm 65	29,5	186	105	18,5	24	83,5	65	88	G 1	13,5	9	8,5	27,5	77,5	48	8	14	25	68,7		M58X3	kg 3,446
		Psi 7250	inch 2,56	1,16	7,32	4,13	0,73	0,94	3,29	2,56	3,46		0,53	0,35	0,33	1,08	3,05	1,89	0,31	0,55	0,98			M58X3	lb 7,60
GV2 G 1 1/4 R+ VGF MALE	25	MPa 50	mm 65	29,5	212	105	18,5	24	83,5	65	88	G 1	13,5	9	8,5	27,5	77,5	48	8	14	25		36	M58X3	kg 3,265
		Psi 7250	inch 2,56	1,16	8,35	4,13	0,73	0,94	3,29	2,56	3,46		1/4 R	0,53	0,35	0,33	1,08	3,05	1,89	0,31	0,55		0,98	1,42	M58X3
GV2 G 1 1/4 R+ VGF FEMALE	25	MPa 50	mm 65	29,5	186	105	18,5	24	83,5	65	88	G 1	13,5	9	8,5	27,5	77,5	48	8	14	25	68,7		M58X3	kg 3,265
		Psi 7250	inch 2,56	1,16	7,32	4,13	0,73	0,94	3,29	2,56	3,46		1/4 R	0,53	0,35	0,33	1,08	3,05	1,89	0,31	0,55		0,98		M58X3
GV2 G 1 1/4+ VGF MALE	32	MPa 50	mm 80	33,5	212	105	18,5	30	98,5	80	104	G 1	13,5	9	10	24,5	80,5	60	8	17	32		36	M58X3	kg 4,991
		Psi 7250	inch 3,15	1,32	8,35	4,13	0,73	1,18	3,88	3,15	4,09		1/4	0,53	0,35	0,39	0,96	3,17	2,36	0,31	0,67		1,26	1,42	M58X3
GV2 G 1 1/4+VGF FEMALE	32	MPa 50	mm 80	33,5	186	105	18,5	30	98,5	80	104	G 1	13,5	9	10	24,5	80,5	60	8	17	32	68,7		M58X3	kg 4,991
		Psi 7250	inch 3,15	1,32	7,32	4,13	0,73	1,18	3,88	3,15	4,09		1/4	0,53	0,35	0,39	0,96	3,17	2,36	0,31	0,67		1,26		M58X3

# GV2 VGF



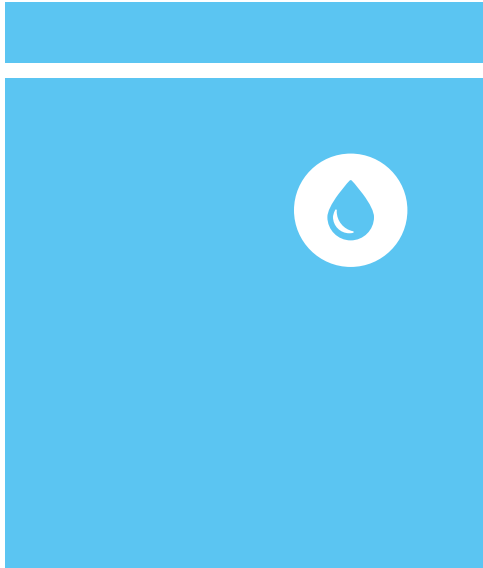
## GV2 + QC VGF ANSI/ASME B1.20.1 NPT

TYPE	DN	PN	A	B	C	D	E	ES.V	F	G	I	ØM	ØP	ØQ	R	S	T	U	W	SW	ØLW	ØA/QC	Ød	Z	WEIGHT	
GV2 N 3/8 + VGF MALE	10	MPa 50	mm	43	20,4	153	70	14,1	19	57,1	37	60,9	N 3/8	10,5	6,25	6,5	16	54	24	6,6	9	10		19,75	M33X2	kg 0,919
		Psi 7250	inch	1,69	0,80	6,02	2,76	0,56	0,75	2,25	1,46	2,40		0,41	0,25	0,26	0,63	2,13	0,94	0,26	0,35	0,39		0,78	M33X2	lb 2,03
GV2 N 3/8 + VGF FEMALE	10	MPa 50	mm	43	20,4	133,5	70	14,1	19	57,1	37	60,9	N 3/8	10,5	6,25	6,5	16	54	24	6,6	9	10	38,6		M33X2	kg 0,919
		Psi 7250	inch	1,69	0,80	5,26	2,76	0,56	0,75	2,25	1,46	2,40		0,41	0,25	0,26	0,63	2,13	0,94	0,26	0,35	0,39		0,78	M33X2	lb 2,03
GV2 N 1/2+ VGF MALE	13	MPa 50	mm	45	21,7	169,5	80	14,1	19	59,1	45	62,9	N 1/2	10,5	6,25	6,5	23	57	32	6,6	9	13		24,5	M40X3	kg 1,307
		Psi 7250	inch	1,77	0,85	6,67	3,15	0,56	0,75	2,33	1,77	2,48		0,41	0,25	0,26	0,91	2,24	1,26	0,26	0,35	0,51		0,96	M40X3	lb 2,88
GV2 N 1/2+ VGF FEMALE	13	MPa 50	mm	45	21,7	148	80	14,1	19	59,1	45	62,9	N 1/2	10,5	6,25	6,5	23	57	32	6,6	9	13	46		M40X3	kg 1,307
		Psi 7250	inch	1,77	0,85	5,83	3,15	0,56	0,75	2,33	1,77	2,48		0,41	0,25	0,26	0,91	2,24	1,26	0,26	0,35	0,51		0,96	M40X3	lb 2,88
GV2 N 3/4+ VGF MALE	20	MPa 50	mm	55	23,4	208	101	18,5	24	73,5	55	78	N 3/4	13,5	9	7,5	25,5	75,5	40	8	14	20		29,95	M50X3	kg 2,424
		Psi 7250	inch	2,17	0,92	8,19	3,98	0,73	0,94	2,89	2,17	3,07		0,53	0,35	0,30	1,00	2,97	1,57	0,31	0,55	0,79		1,18	M50X3	lb 5,34
GV2 N 3/4+ VGF FEMALE	20	MPa 50	mm	55	23,4	181,9	101	18,5	24	73,5	55	78	N 3/4	13,5	9	7,5	25,5	75,5	40	8	14	20	56		M50X3	kg 2,424
		Psi 7250	inch	2,17	0,92	7,16	3,98	0,73	0,94	2,89	2,17	3,07		0,53	0,35	0,30	1,00	2,97	1,57	0,31	0,55	0,79		1,18	M50X3	lb 5,34
GV2 N 1+ VGF MALE	25	MPa 50	mm	65	29,5	212	105	18,5	24	83,5	65	88	N1	13,5	9	8,5	27,5	77,5	48	8	14	25		36	M58X3	kg 3,446
		Psi 7250	inch	2,56	1,16	8,35	4,13	0,73	0,94	3,29	2,56	3,46		0,53	0,35	0,33	1,08	3,05	1,89	0,31	0,55	0,98		1,42	M58X3	lb 7,60
GV2 N 1+ VGF FEMALE	25	MPa 50	mm	65	29,5	186	105	18,5	24	83,5	65	88	N1	13,5	9	8,5	27,5	77,5	48	8	14	25	68,7		M58X3	kg 3,446
		Psi 7250	inch	2,56	1,16	7,32	4,13	0,73	0,94	3,29	2,56	3,46		0,53	0,35	0,33	1,08	3,05	1,89	0,31	0,55	0,98		1,42	M58X3	lb 7,60
GV2 N 1 1/4 R+ VGF MALE	25	MPa 50	mm	65	29,5	212	105	18,5	24	83,5	65	88	N 1	13,5	9	8,5	27,5	77,5	48	8	14	25		36	M58X3	kg 3,265
		Psi 7250	inch	2,56	1,16	8,35	4,13	0,73	0,94	3,29	2,56	3,46		1/4 R	0,53	0,35	0,33	1,08	3,05	1,89	0,31	0,55	0,98		1,42	M58X3
GV2 N 1 1/4 R+ VGF FEMALE	25	MPa 50	mm	65	29,5	186	105	18,5	24	83,5	65	88	N 1	13,5	9	8,5	27,5	77,5	48	8	14	25	68,7		M58X3	kg 3,265
		Psi 7250	inch	2,56	1,16	7,32	4,13	0,73	0,94	3,29	2,56	3,46		1/4 R	0,53	0,35	0,33	1,08	3,05	1,89	0,31	0,55	0,98		1,42	M58X3
GV2 N 1 1/4+ VGF MALE	32	MPa 50	mm	80	33,5	212	105	18,5	30	98,5	80	104	N 1 1/4	13,5	9	10	24,5	80,5	60	8	17	32		36	M58X3	kg 4,991
		Psi 7250	inch	3,15	1,32	8,35	4,13	0,73	1,18	3,88	3,15	4,09		0,53	0,35	0,39	0,96	3,17	2,36	0,31	0,67	1,26		1,42	M58X3	lb 11,00
GV2 N 1 1/4+ VGF FEMALE	32	MPa 50	mm	80	33,5	186	105	18,5	30	98,5	80	104	N 1 1/4	13,5	9	10	24,5	80,5	60	8	17	32	68,7		M58X3	kg 4,991
		Psi 7250	inch	3,15	1,32	7,32	4,13	0,73	1,18	3,88	3,15	4,09		0,53	0,35	0,39	0,96	3,17	2,36	0,31	0,67	1,26		1,42	M58X3	lb 11,00

**GV2 VGF**

**GV2+ QC VGF SAE J1926-1**

TYPE	DN	PN	A	B	C	D	E	ES.V	F	G	I	ØM	ØP	ØQ	R	S	T	U	W	SW	ØLW	ØA/QC	Ød	Z	WEIGHT	
GV2 SAE6 + VGF MALE	10	MPa 50	mm	43	20,4	153	70	14,1	19	57,1	37	60,9	SAE6	10,5	6,25	6,5	16	54	24	6,6	9	10	38,6	19,75	M33X2	kg 0,919
		Psi 7250	inch	1,69	0,80	6,02	2,76	0,56	0,75	2,25	1,46	2,40		0,41	0,25	0,26	0,63	2,13	0,94	0,26	0,35	0,39		0,78	M33X2	lb 2,03
GV2 G 3/8 + VGF FEMALE	10	MPa 50	mm	43	20,4	133,5	70	14,1	19	57,1	37	60,9	SAE6	10,5	6,25	6,5	16	54	24	6,6	9	10	38,6		M33X2	kg 0,919
		Psi 7250	inch	1,69	0,80	5,26	2,76	0,56	0,75	2,25	1,46	2,40		0,41	0,25	0,26	0,63	2,13	0,94	0,26	0,35	0,39			M33X2	lb 2,03
GV2 G 1/2+ VGF MALE	13	MPa 50	mm	45	21,7	169,5	80	14,1	19	59,1	45	62,9	SAE8	10,5	6,25	6,5	23	57	32	6,6	9	13	46	24,5	M40X3	kg 1,307
		Psi 7250	inch	1,77	0,85	6,67	3,15	0,56	0,75	2,33	1,77	2,48		0,41	0,25	0,26	0,91	2,24	1,26	0,26	0,35	0,51		0,96	M40X3	lb 2,88
GV2 G 1/2+ VGF FEMALE	13	MPa 50	mm	45	21,7	148	80	14,1	19	59,1	45	62,9	SAE8	10,5	6,25	6,5	23	57	32	6,6	9	13	46		M40X3	kg 1,307
		Psi 7250	inch	1,77	0,85	5,83	3,15	0,56	0,75	2,33	1,77	2,48		0,41	0,25	0,26	0,91	2,24	1,26	0,26	0,35	0,51			M40X3	lb 2,88
GV2 G 3/4+ VGF MALE	20	MPa 50	mm	55	23,4	208	101	18,5	24	73,5	55	78	SAE12	13,5	9	7,5	25,5	75,5	40	8	14	20	56	29,95	M50X3	kg 2,424
		Psi 7250	inch	2,17	0,92	8,19	3,98	0,73	0,94	2,89	2,17	3,07		0,53	0,35	0,30	1,00	2,97	1,57	0,31	0,55	0,79		1,18	M50X3	lb 5,34
GV2 G 3/4+ VGF FEMALE	20	MPa 50	mm	55	23,4	181,9	101	18,5	24	73,5	55	78	SAE12	13,5	9	7,5	25,5	75,5	40	8	14	20	56		M50X3	kg 2,424
		Psi 7250	inch	2,17	0,92	7,16	3,98	0,73	0,94	2,89	2,17	3,07		0,53	0,35	0,30	1,00	2,97	1,57	0,31	0,55	0,79			M50X3	lb 5,34
GV2 G 1+ VGF MALE	25	MPa 50	mm	65	29,5	212	105	18,5	24	83,5	65	88	SAE16	13,5	9	8,5	27,5	77,5	48	8	14	25	68,7	36	M58X3	kg 3,446
		Psi 7250	inch	2,56	1,16	8,35	4,13	0,73	0,94	3,29	2,56	3,46		0,53	0,35	0,33	1,08	3,05	1,89	0,31	0,55	0,98		1,42	M58X3	lb 7,60
GV2 G 1+ VGF FEMALE	25	MPa 50	mm	65	29,5	186	105	18,5	24	83,5	65	88	SAE16	13,5	9	8,5	27,5	77,5	48	8	14	25	68,7		M58X3	kg 3,446
		Psi 7250	inch	2,56	1,16	7,32	4,13	0,73	0,94	3,29	2,56	3,46		0,53	0,35	0,33	1,08	3,05	1,89	0,31	0,55	0,98			M58X3	lb 7,60
GV2 G 1 1/4 R+ VGF MALE	25	MPa 50	mm	65	29,5	212	105	18,5	24	83,5	65	88	SAE20	13,5	9	8,5	27,5	77,5	48	8	14	25	68,7	36	M58X3	kg 3,265
		Psi 7250	inch	2,56	1,16	8,35	4,13	0,73	0,94	3,29	2,56	3,46		R	0,53	0,35	0,33	1,08	3,05	1,89	0,31	0,55		0,98	1,42	M58X3
GV2 G 1 1/4 R+ VGF FEMALE	25	MPa 50	mm	65	29,5	186	105	18,5	24	83,5	65	88	SAE	13,5	9	8,5	27,5	77,5	48	8	14	25	68,7		M58X3	kg 3,265
		Psi 7250	inch	2,56	1,16	7,32	4,13	0,73	0,94	3,29	2,56	3,46		20 R	0,53	0,35	0,33	1,08	3,05	1,89	0,31	0,55		0,98		M58X3
GV2 G 1 1/4+ VGF MALE	32	MPa 50	mm	80	33,5	212	105	18,5	30	98,5	80	104	SAE20	13,5	9	10	24,5	80,5	60	8	17	32	68,7	36	M58X3	kg 4,991
		Psi 7250	inch	3,15	1,32	8,35	4,13	0,73	1,18	3,88	3,15	4,09		0,53	0,35	0,39	0,96	3,17	2,36	0,31	0,67	1,26		1,42	M58X3	lb 11,00
GV2 G 1 1/4+VGF FEMALE	32	MPa 50	mm	80	33,5	186	105	18,5	30	98,5	80	104	SAE20	13,5	9	10	24,5	80,5	60	8	17	32	68,7		M58X3	kg 4,991
		Psi 7250	inch	3,15	1,32	7,32	4,13	0,73	1,18	3,88	3,15	4,09		0,53	0,35	0,39	0,96	3,17	2,36	0,31	0,67	1,26			M58X3	lb 11,00





## HIGH PRESSURE BALL VALVES FOR HYDRAULIC FIELD

For hydraulic and industrial field, since 50 years **GEMELS** produces high pressure ball valves, known all over the world as synonym of maximum reliability and high quality. **GEMELS** is one of the World Leader Manufacturer. The range includes valves with 2way/3way/4way and with different threads. We can also study customized products for our clients according to the application.

# BALL VALVES



# CUSTOMIZED LEAN SOLUTION

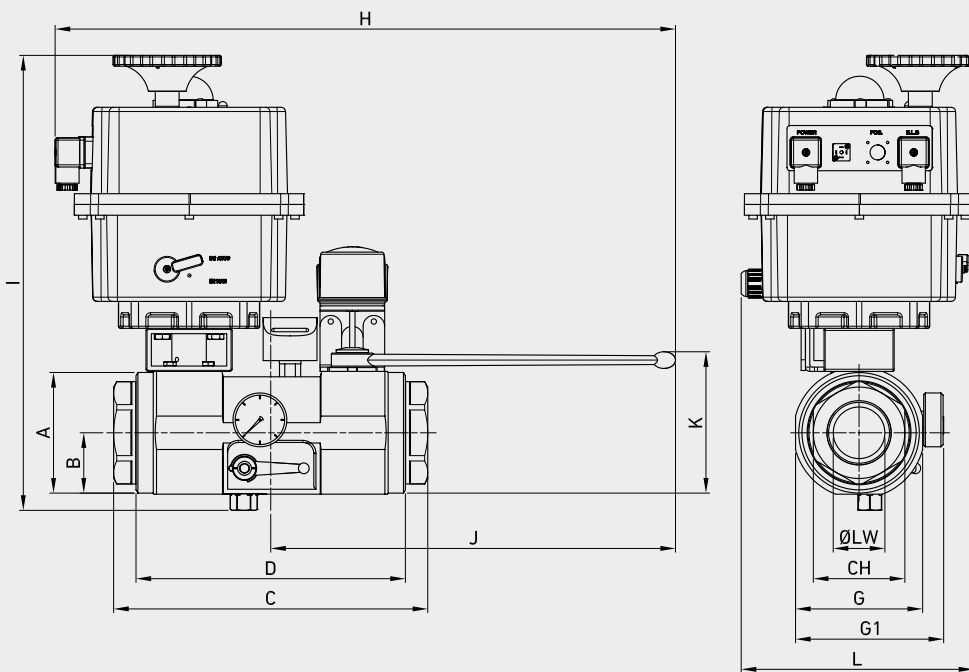
Edition. 21.9



## LEAN CUSTOMIZED SOLUTIONS

**GEMELS** studies and designs special lean customized solutions for our customers based on the specific requests. Thanks to the close collaboration between **GEMELS** technical department and the engineering department of our customers, we are able to study the best and most suitable solution for the application where our products will be mounted. **GEMELS** can realize prototypes and samples. Our customized solutions can range over different fields, like agriculture, fire-fighting, construction and building, lifting, automotive, steel plant, heavy equipment and marine.

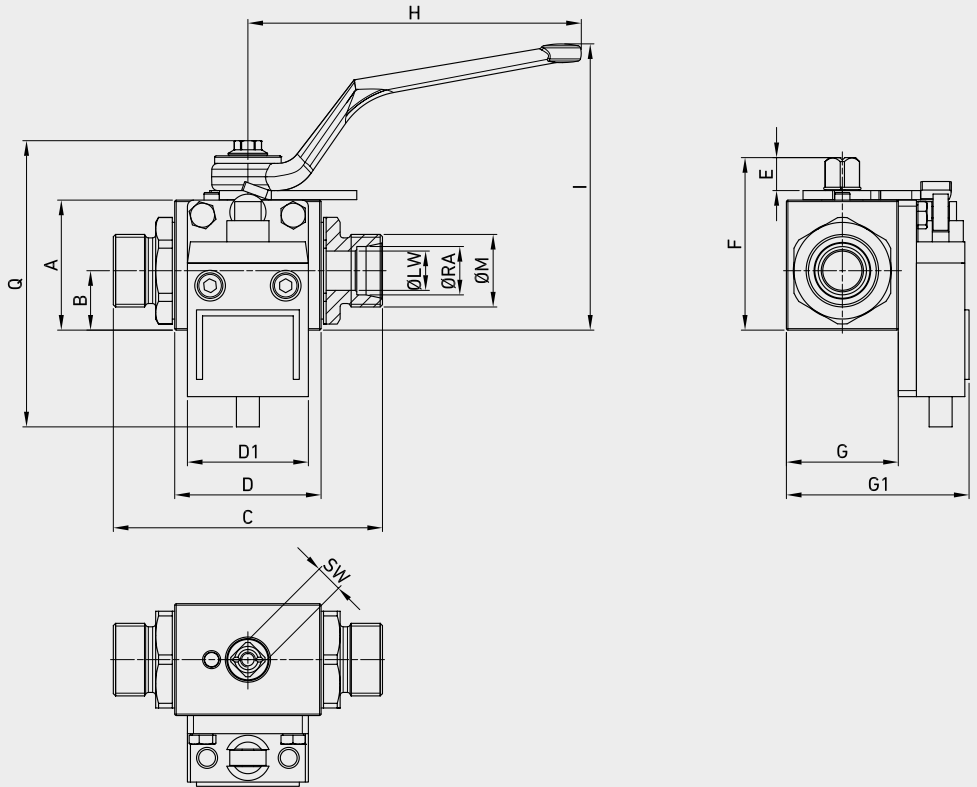




**FOR FIRE FIGHTING**

TYPE / ITEM CODE	DN		A	B	C	D	G	G1	H	I	J	K	L	CH	ØLW
GB2 S6 1 1/2	4	mm	112	56	292	250	118	137,5	576	422	376	131	216	85	48
		inch	4,41	2,20	11,50	9,84	4,65	5,41	22,68	16,61	14,80	5,16	8,50		1,89

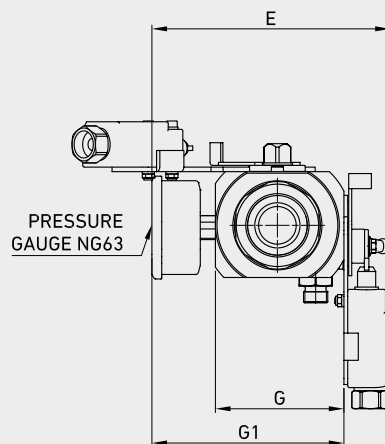
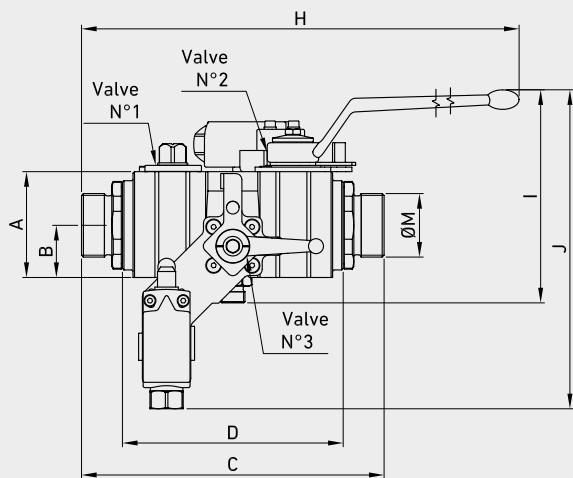
On request, VDS and FM approvals could be available



FOR FIRE FIGHTING

TYPE / ITEM CODE	DN	A	B	C	D	D1	E	F	G	G1	H	I	Q	SW	ØLW	ØRA	ØM
GE2 DIN 12S + MICROSWITCH"	10	mm	40	17,4	76	44,7	40	11	54	35	58,4	110	93	94	9	10	12
		inch	1,57	0,69	2,99	1,76	1,57	0,43	2,13	1,38	2,30	4,33	3,66	3,70	0,35	0,39	0,47
GE2 DIN 16S + MICROSWITCH	13	mm	43	19,7	89	48,4	40	11	57	37	60,4	110	95	94	9	13	16
		inch	1,69	0,78	3,50	1,91	1,57	0,43	2,24	1,46	2,38	4,33	-	-	0,35	0,51	0,63
GE2 DIN 30S + MICROSWITCH	25	mm	65	29,5	120,6	66,5	40	15	83,5	55	78,4	180	113	93,5	14	25	30
		inch	2,56	1,16	4,75	2,62	1,57	0,59	3,29	2,17	3,09	7,09	4,45	3,68	0,55	0,98	1,18
GE2 DIN 38S + MICROSWITCH	25	mm	65	29,5	131,4	66,5	40	15	83,5	55	78,4	180	113	93,5	14	25	38
		inch	2,56	1,16	5,17	2,62	1,57	0,59	3,29	2,17	3,09	7,09	4,45	3,68	0,55	0,98	1,50

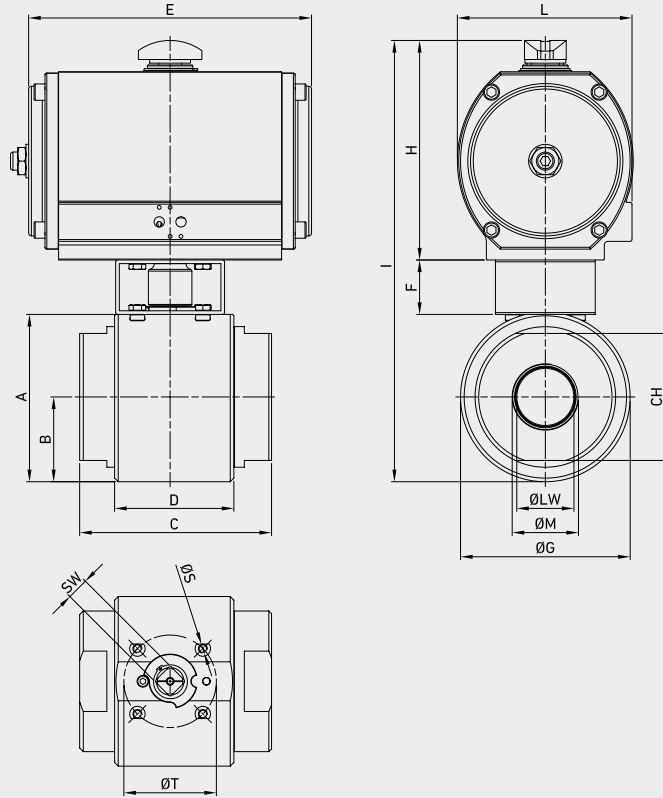
On request, VDS and FM approvals could be available



## FOR FIRE FIGHTING

TYPE / ITEM CODE	DN	A	B	C	D	E	G	G1	H	I	J	ØM	
GE2 DBB DIN 16S + LIMIT SWITCH	13	mm	52	28	168,6	128	136	65	107	231	129	199	M24x1,5
		inch	2,05	1,10	6,64	5,04	5,35	2,56	4,21	9,09	5,08	7,83	
GE2 DBB DIN 30S + LIMIT SWITCH	25	mm	70	34,5	200	146	156	85	127	340	141	211	M42x2
		inch	2,76	1,36	7,87	5,75	6,14	3,35	5,00	5,75	6,14	3,35	
GB1 DBB DIN 38S + LIMIT SWITCH	32	mm	85	38,5	236	166	169	98	140	473,5	179	249	M52x2
		inch	3,35	1,52	9,29	6,54	6,65	3,86	5,51	18,64	7,05	9,80	

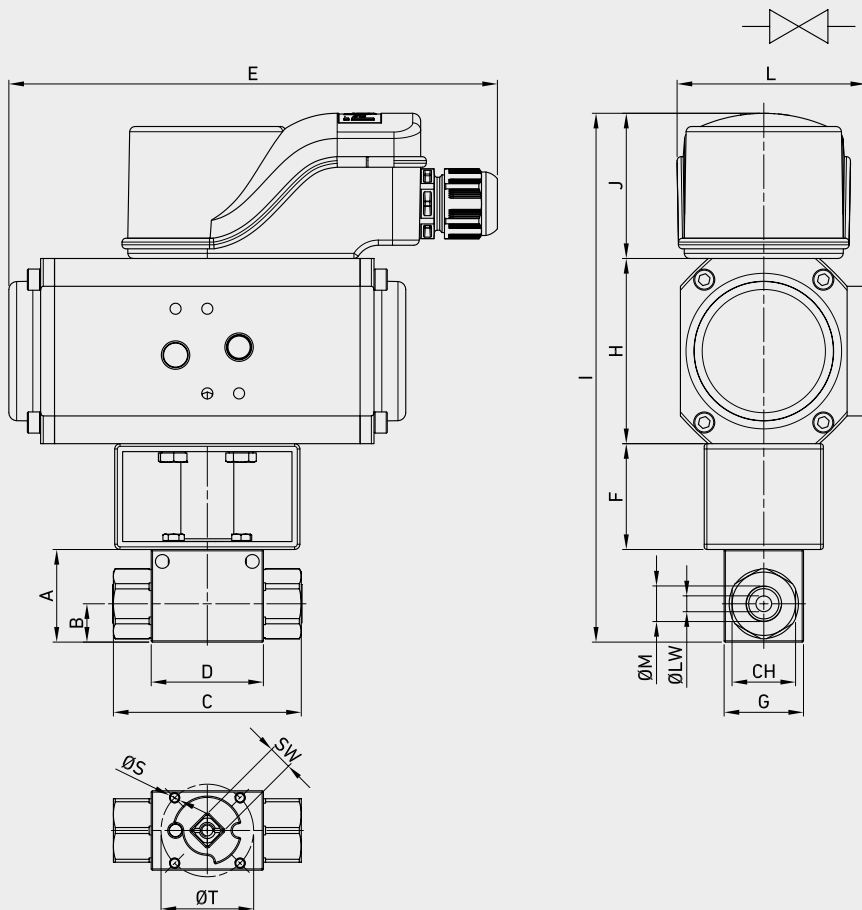
On request, VDS and FM approvals could be available



FOR FIRE FIGHTING

TYPE / ITEM CODE	DN	A	B	C	D	E	F	ØG	H	I	L	ØM	CH	ØS	ØT	ISO 5211	SW	ØLW	
GHP G 1/2	13	mm	53	27,5	119	79	150	40	55	96	190	70	G 1/2	38	M5	36	F03	9	13
		inch	2,09	1,08	4,69	3,11	5,91	1,57	2,17	3,78	7,48	2,76							
GHP G 3/4	20	mm	70	38,5	149	99	206	40	77	143	253	112,5	G 3/4	55	M6	50	F05	14	20
		inch	2,76	1,52	5,87	3,90	8,11	1,57	3,03	5,63	9,96	4,43							
GHP G 1	20	mm	80,5	45	168	105	206	40	90	143	263	112,5	G 1	60	M6	50	F05	14	25
		inch	3,17	1,77	6,61	4,13	8,11	1,57	3,54	5,63	10,35	4,43							
GHP G 1 1/4	20	mm	95	48,5	156	106	218	40	97	165	300	137	G 1 1/4	70	M6	50	F05	17	32
		inch	3,74	1,91	6,14	4,17	8,58	1,57	3,82	6,50	11,81	5,39							
GHP G 1 1/2	20	mm	111,5	58	166,5	110,5	218	40	116	165	317	137	G 1 1/2	75	M6	50	F05	17	40
		inch	4,39	2,28	6,56	4,35	8,58	1,57	4,57	6,50	12,48	5,39							
GHP G 2	20	mm	118,5	61,5	175	115	266	40	123	200	359	158	G 2	85	M6	50	F05	17	49
		inch	4,67	2,42	6,89	4,53	10,47	1,57	4,84	7,87	14,13	6,22							
GHP G 2 1/2	20	mm	184,5	93,5	211,5	131,5	266	60	187	200	425	158	G 2 1/2	140	M10	102	F10	24	63
		inch	7,26	3,68	8,33	5,18	10,47	2,36	7,36	7,87	16,73	6,22							
GHP G 3	20	mm	200	102	239	162,5	358	60	204	248	508	198	G 3	140	M10	102	F10	24	74
		inch	7,87	4,02	9,41	6,40	14,09	2,36	8,03	9,76	20,00	7,80							
GHP G 4	100	mm	236	120	295,5	219	358	60	240	248	544	198	G 4	170	M10	102	F10	24	95
		inch	9,29	4,72	11,63	8,62	14,09	2,36	9,45	9,76	21,42	7,80							

On request, VDS and FM approvals could be available



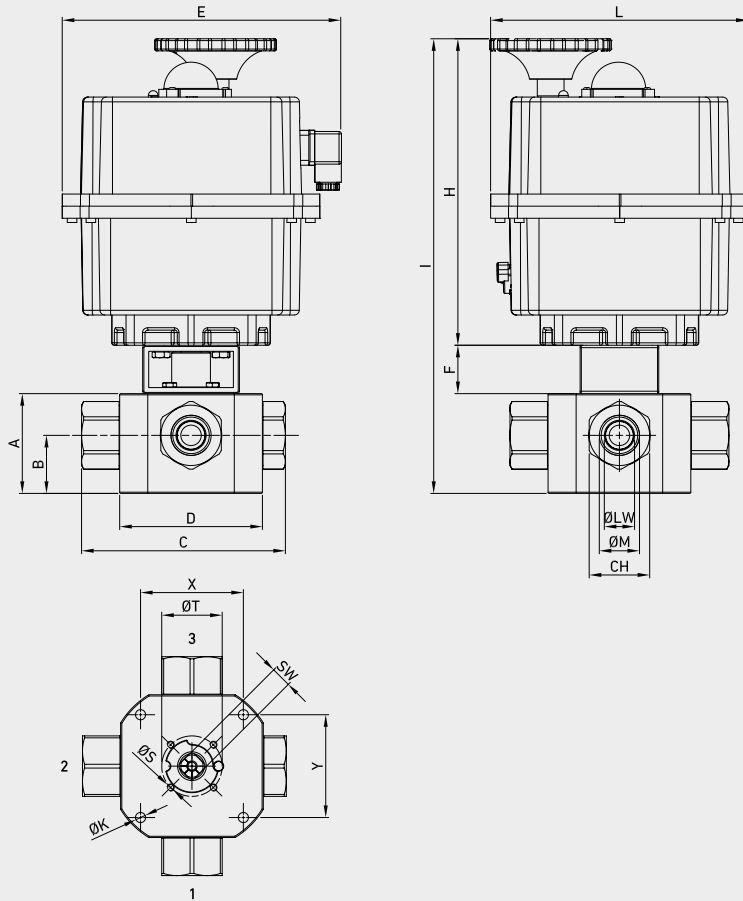
## FOR FIRE FIGHTING

TYPE / ITEM CODE	DN	A	B	C	D	E	F	G	H	I	J	L	ØM	CH	ØS	ØT	ISO 5211	SW	ØLW	
GE2 G 1/8	4	mm	35	14,5	71	42,4	185	40	30	70	200	55	72	G 1/8	24	M4	35	F03	9	4
		inch	1,38	0,57	2,80	1,67	7,28	1,57	1,18	2,76	7,87	2,17	2,83				1,38		0,35	0,16
GE2 G 1/4	6	mm	35	14,5	71	42,4	185	40	30	70	200	55	72	G 1/4	24	M4	35	F03	9	6
		inch	1,38	0,57	2,80	1,67	7,28	1,57	1,18	2,76	7,87	2,17	2,83				1,38		0,35	0,24
GE2 G 3/8	10	mm	40	17,4	73	44,4	185	40	35	70	205	55	72	G 3/8	30	M5	36	F03	9	10
		inch	1,57	0,69	2,87	1,75	7,28	1,57	1,38	2,76	8,07	2,17	2,83				1,42		0,35	0,39
GE2 G 1/2	13	mm	43	19,65	83	48,4	185	40	37	70	208	55	72	G 1/2	32	M5	36	F03	9	13
		inch	1,69	0,77	3,27	1,91	7,28	1,57	1,46	2,76	8,19	2,17	2,83				1,42		0,35	0,51
GE2 G 3/4	20	mm	57	25,4	95	62,5	213	40	49	118	270	55	113	G 3/4	41	M6	50	F05	14	20
		inch	2,24	1,00	3,74	2,46	8,39	1,57	1,93	4,65	10,63	2,17	4,45				1,97		0,55	0,79
GE2 G 1	25	mm	65	29,5	112,4	66,5	213	40	55	118	278	55	113	G 1	50	M6	50	F05	14	25
		inch	2,56	1,16	4,43	2,62	8,39	1,57	2,17	4,65	10,94	2,17	4,45				1,97		0,55	0,98
GE2 G 1 1/4 R	25	mm	65	29,5	120,4	66,5	213	40	55	118	278	55	113	G 1 1/4	55	M6	50	F05	14	25
		inch	2,56	1,16	4,74	2,62	8,39	1,57	2,17	4,65	10,94	2,17	4,45				1,97		0,55	0,98
GE2 G 1 1/2 R	25	mm	65	29,5	124,4	66,5	213	40	55	118	278	55	113	G 1 1/2	60	M6	50	F05	14	25
		inch	2,56	1,16	4,90	2,62	8,39	1,57	2,17	4,65	10,94	2,17	4,45				1,97		0,55	0,98

On request, VDS and FM approvals could be available

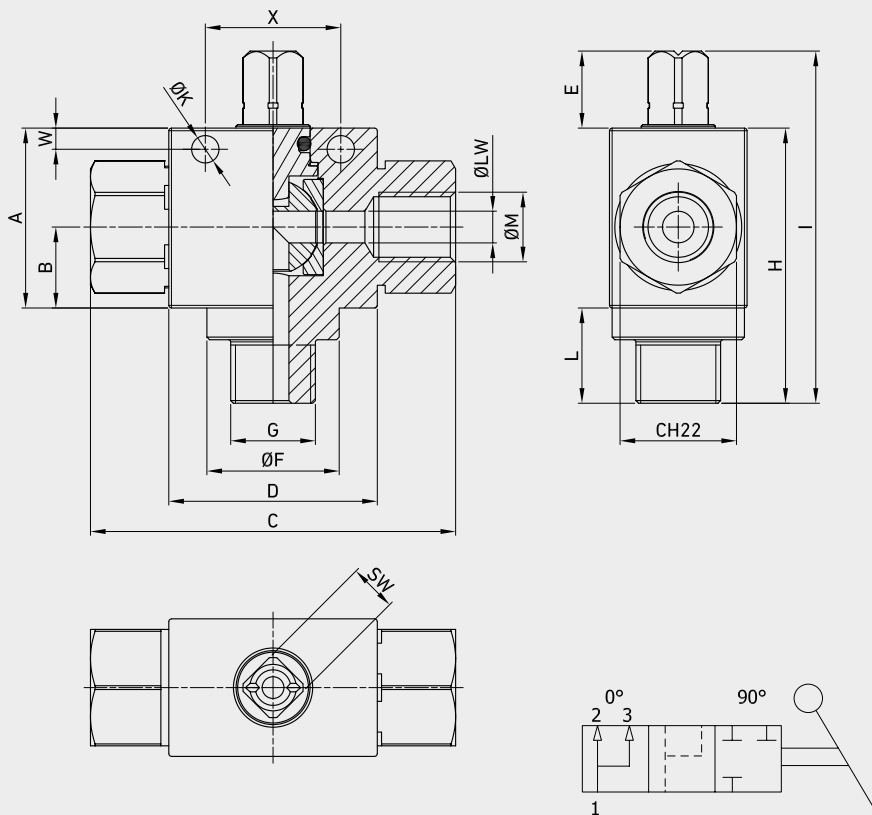
CUSTOMIZED

HYDRAULIC BALL VALVES



FOR AUTOMOTIVE

TYPE / ITEM CODE	DN	A	B	C	D	E	F	H	I	L	CH	ØK	ØT	ØS	X	Y	SW	ØM	ØLW	
GEX G 2	25	mm	82,5	48	169	118	230	40	253	376	218	50	8,5	50	M6	85	85	17	G 1	25
		inch	3,25	1,89	6,65	4,65	9,06	1,57	9,96	14,80	8,58	50	0,33	1,97	M6	3,35	3,35	0,67	G 1	0,98

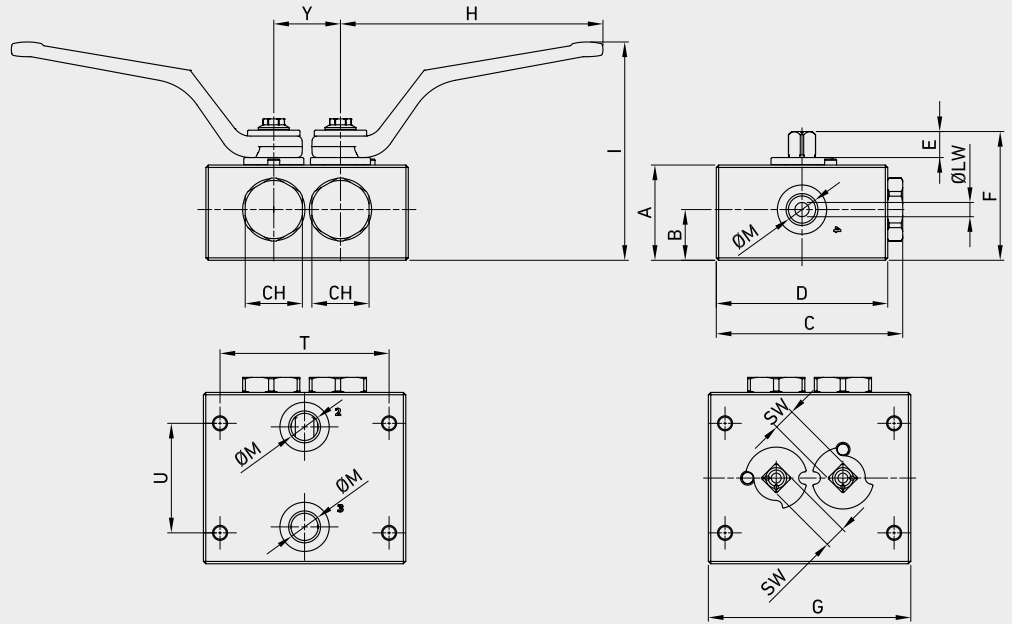


FOR AUTOMOTIVE

TYPE / ITEM CODE	DN	A	B	C	D	E	ØF	G	H	I	L	CH	SW	X	W	ØLW	ØK	ØM	
GE1 EXTENDED 1/4	6	mm	34	15,3	69	39,4	14,55	25	M16X1,5	52	166,55	18	22	9	25,6	4	6	5,2	G 1/4
		inch	1,34	0,60	2,72	1,55	0,57	0,98		2,05	6,56	0,71		0,35	1,01	0,16	0,24	0,20	

CUSTOMIZED

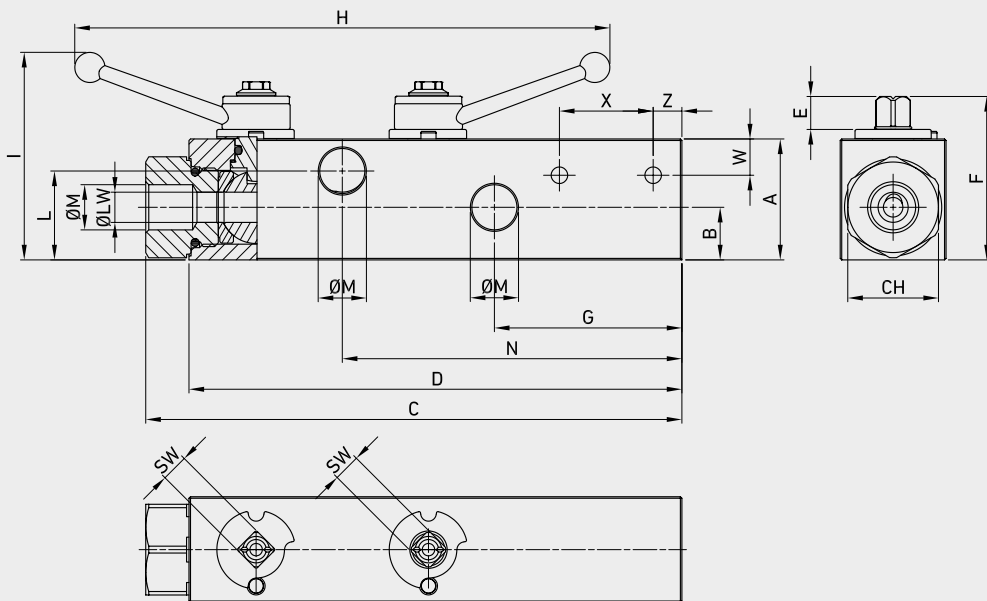
HYDRAULIC BALL VALVES



FOR INDUSTRIAL

TYPE / ITEM CODE	DN	A	B	C	D	E	F	G	H	I	T	U	CH	SW	Y	ØLW	ØM	
GE5D -G530202A0101TAA	6	mm	40	21,3	78,3	72	10,9	54	85	110	91,7	71	46	24	9	28	6	BSP 1/4
		inch	1,57	0,84	3,08	2,83	0,43	2,13	3,35	4,33	3,61	2,80	1,81	0,94	0,35	1,10	0,24	
GE5D -G530203A0101TAA	10	mm	40	20	79	72	10,9	54	85	110	91,7	71	46	26	9	29	10	BSP 3/8
		inch	1,57	0,79	3,11	2,83	0,43	2,13	3,35	4,33	3,61	2,80	1,81	1,02	0,35	1,14	0,39	
GE5D -G530204A0101TAA	13	mm	48,00	26,3	86,5	80	10,9	62,05	105	110	99,7	75	46	32	9	38	13	BSP 1/2
		inch	1,89	1,04	3,41	3,15	0,43	2,44	4,13	4,33	3,93	2,95	1,81	1,26	0,35	1,50	0,51	
GE5D -G530205A0101TAA	20	mm	60	28,4	141	130	14,35	78,5	140	180	101	120	100	46	14	56	20	BSP 3/4
		inch	2,36	1,12	5,55	5,12	0,56	3,09	5,51	7,09	3,98	4,72	3,94	1,81	0,55	2,20	0,79	
GE5D -G530206A0101TAA	25	mm	80	44,5	151	140	14,35	98,5	165	180	127,6	140	100	50	14	61	25	BSP 1
		inch	3,15	1,75	5,94	5,51	0,56	3,88	6,50	7,09	5,02	5,51	3,94	1,97	0,55	2,40	0,98	



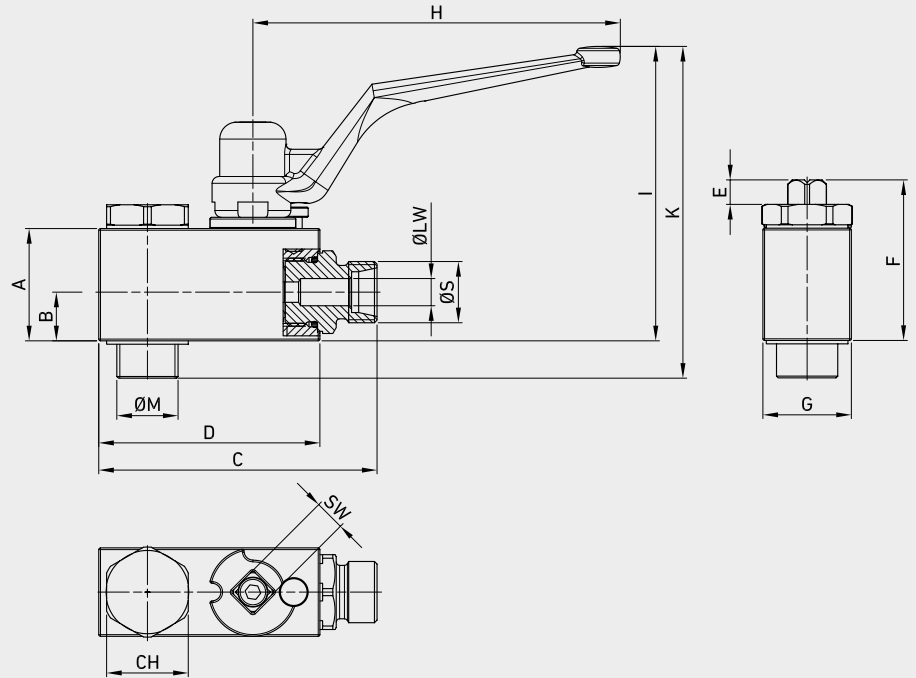


FOR INDUSTRIAL

TYPE / ITEM CODE	DN	A	B	C	D	E	ØF	G	H	I	L	CH	SW	X	Z	W	ØLW	ØM	
GE1D - G520203A0101T1N	6	mm	40	17,4	177,3	163	10,9	54,1	62	177	68,6	29,4	30	9	31	9,5	12	10	G 3/8
		inch	1,57	0,69	6,98	6,42	0,43	2,13	2,44	6,97	2,70	1,16		0,35	1,22	0,37	0,47	0,39	

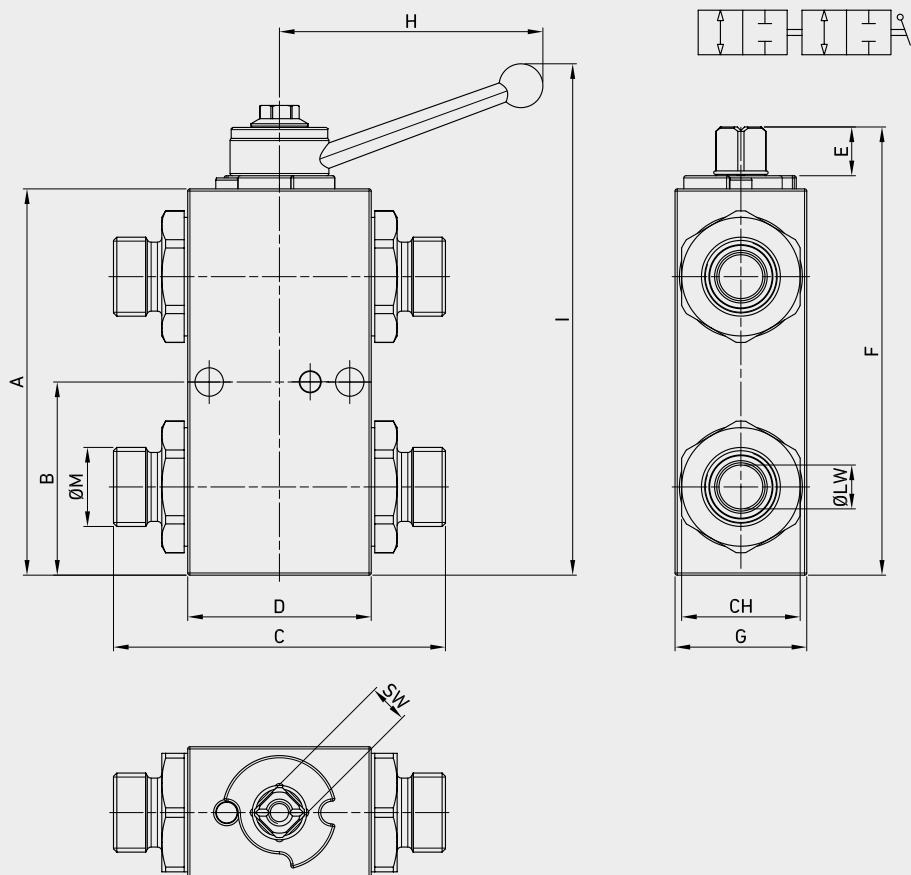
CUSTOMIZED

HYDRAULIC BALL VALVES



FOR AGRICULTURAL

TYPE / ITEM CODE	DN	A	B	C	D	E	F	G	H	I	SW	CH	ØLW	K	ØM	ØS	
GE1 EXTENDED 1/4	6	mm	33	14,3	81,8	65	7,2	47,2	26	108	87	9	24	6	97,5	M18x1,5	M18x1,5
		inch	1,30	0,56	3,22	2,56	0,28	1,86	1,02	4,25	3,43	0,35	0,24	3,84			

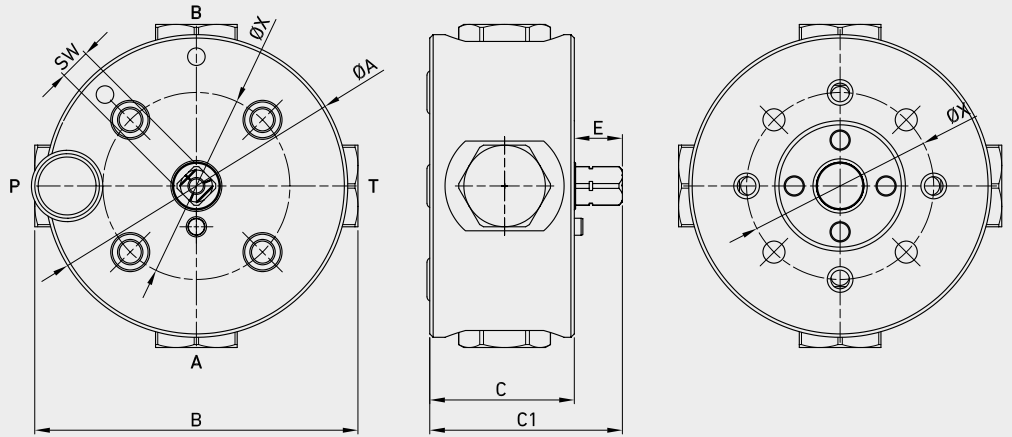


## FOR AGRICULTURAL

TYPE / ITEM CODE	DN	A	B	C	D	E	F	G	H	I	Ø M	CH	SW	ØLW	
GE1 TANDEM DIN12L	10	mm	88	44	75,6	41,8	11,1	102	30	60	116	M18x1,5	27	9	10
		inch	3,46	1,73	2,98	1,65	0,44	4,02	1,18	2,36	4,57			0,35	0,39
GE1 TANDEM G3/8	10	mm	88	44	71	41,8	11,1	102	30	104	130	G3/8	27	9	10
		inch	3,46	1,73	2,80	1,65	0,44	4,02	1,18	4,09	5,12			0,35	0,39
GE1 TANDEM DIN15L	13	mm	88	44	83	44,4	11,1	102	35	110	131	M22x1,5	30	9	13
		inch	3,46	1,73	3,27	1,75	0,44	4,02	1,38	4,33	5,16			0,35	0,51
GE1 TANDEM G1/2	13	mm	88	44	83	44,4	11,1	102	35	110	131	G1/2	30	9	12
		inch	3,46	1,73	3,27	1,75	0,44	4,02	1,38	4,33	5,16			0,35	0,47

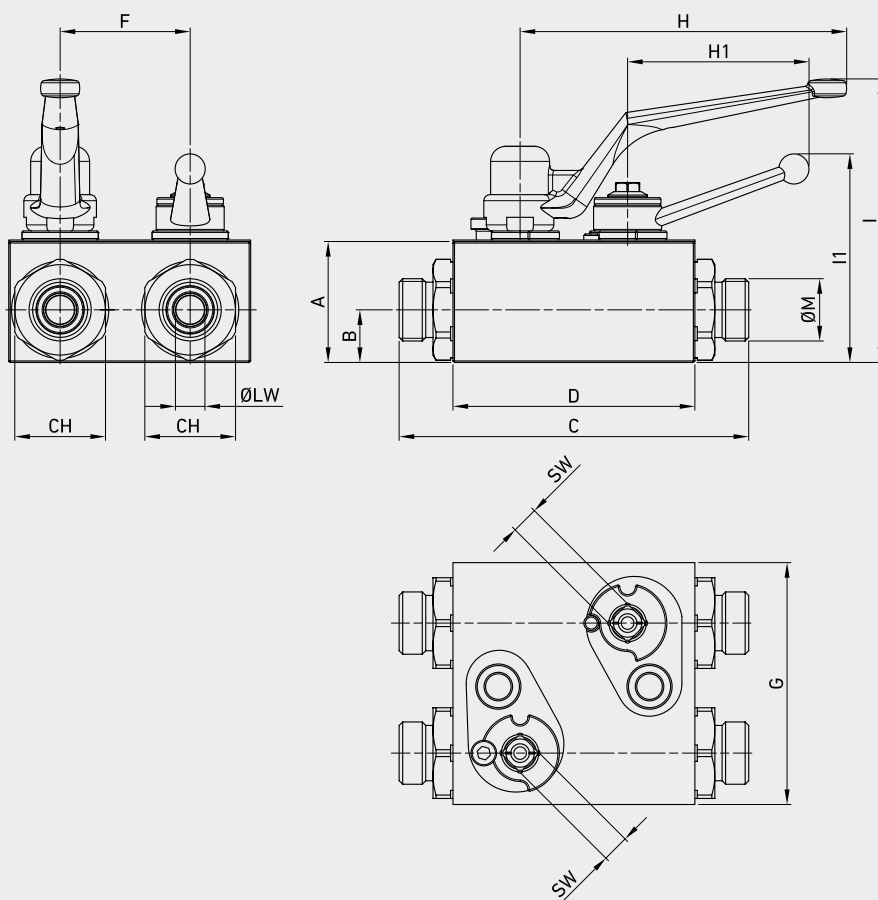
CUSTOMIZED

HYDRAULIC BALL VALVES



FOR AGRICULTURAL

TYPE / ITEM CODE	DN		ØA	B	C	C1	E	ØX	SW
GP4K 1/4	6	mm	89	95	42,5	57	14	55	9
		inch	3,50	3,74	1,67	2,24	0,55	2,17	0,35

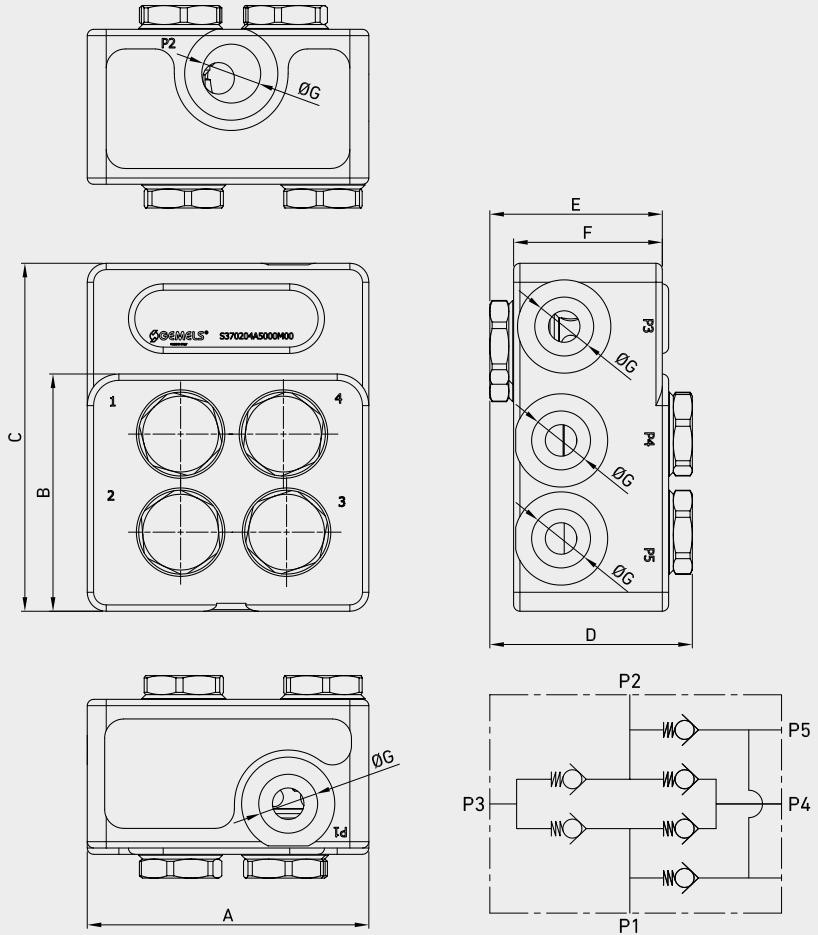


FOR AGRICULTURAL

TYPE / ITEM CODE	A	B	C	D	F	G	H	H1	I	I1	ØM	ØLW	CH	SW
GT 3/8	mm	40	17,4	115,6	80	43	80	180	60	94	69	M15x1,5	10	9
	inch	1,57	0,69	4,55	3,15	1,69	3,15	7,09	2,36	3,70	2,72	0,39	30	0,35

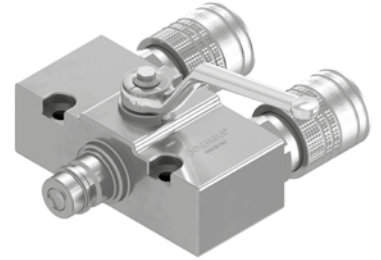
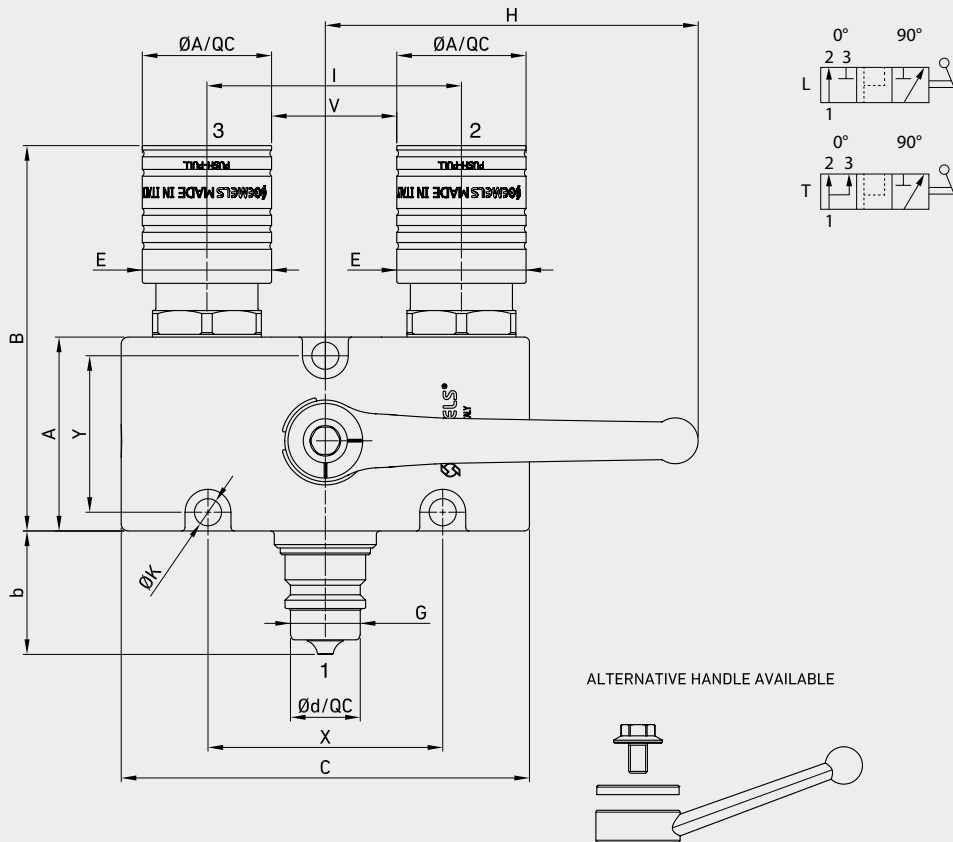
CUSTOMIZED

HYDRAULIC BALL VALVES



FOR AGRICULTURAL

TYPE / ITEM CODE	DN		A	B	C	D	E	F	ØG
GEMFOLD G1/2 85/50L	25	mm	89	75	110	64	54,5	47	G 1/2
		inch	3,50	2,95	4,33	2,52	2,15	1,85	-

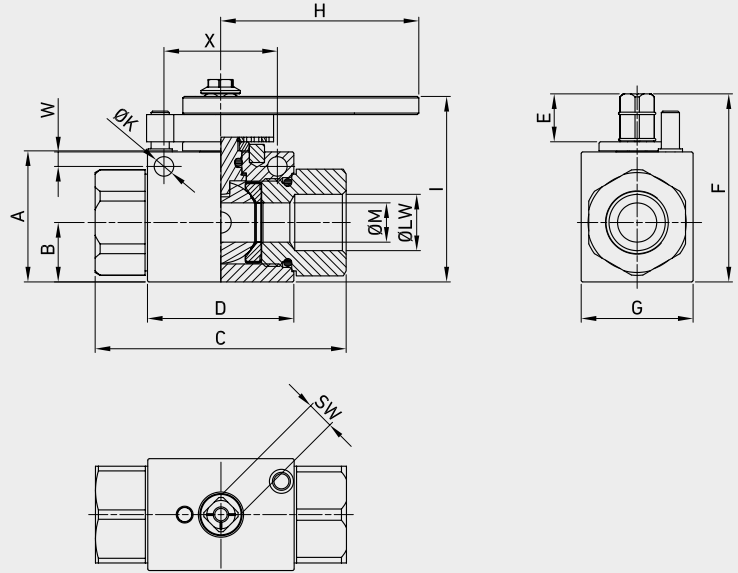


## FOR AGRICULTURAL

TYPE / ITEM CODE	DN	A	ØA/QC	B	b	C	Ød/QC	E	F	G	H	I	ØK	X	Y	V	SW	
GQ3K	13	mm	57	38	113,3	36,3	120	20,5	ISO A/PP	ISO A/PP	ISO A	110	75	8	69	46	36,8	17
		inch	2,24	1,50	4,46	1,43	4,72	0,81	Female	Female	Male	4,33	2,95	0,31	2,72	1,81	1,45	0,67

### On request

- available with all models of quick couplings
- available also with short handles

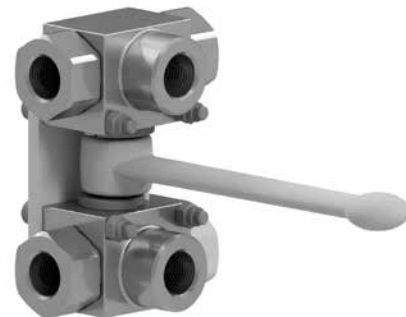
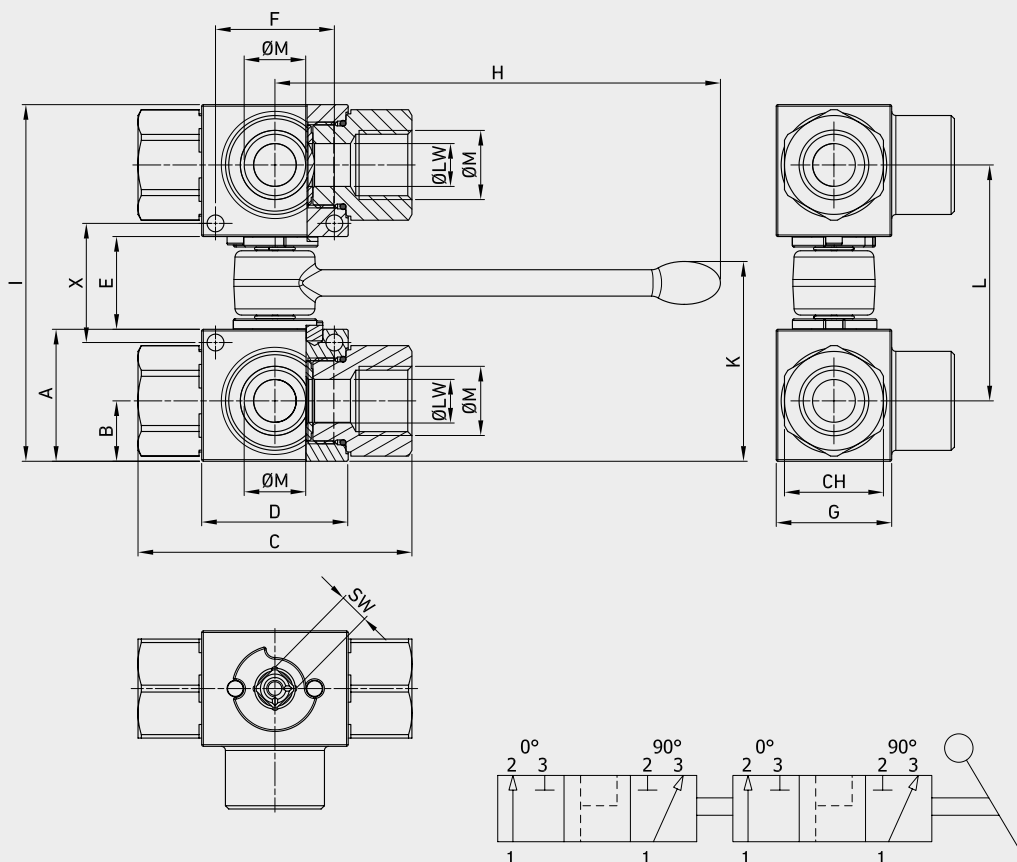


FOR AGRICULTURAL

TYPE / ITEM CODE	DN	PN		A	B	C	D	E	F	G	H	I	ØM	ØK*	W*	X*	SW	ØLW
GE2	13	MPa 50	mm	43,35	21,5	83	48,4	15,85	62,2	37	65,53	61,35	G 1/2	6,5	4,8	37,5	9	13
		Psi 7250	inch	1,71	0,85	3,27	1,91	0,62	2,45	1,46	2,58	2,42		0,26	0,19	1,48	0,35	0,51

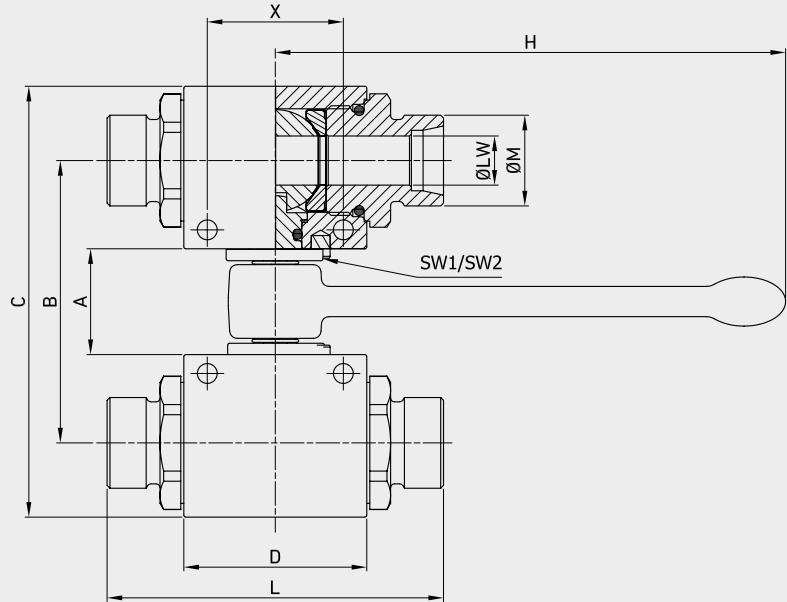
With SPECIAL SPRING LEVER DIN/ISO 228 BSP





## FOR AGRICULTURAL

TYPE / ITEM CODE	DN	A	B	C	D	E	F	G	H	I	L	CH	SW	X	K	ØLW	ØM	
GE5 DOUBLE G3/8 GE5GGT2_DOUBLE	10	mm	35	15	71	41,8	28,1	34	30	135	98,1	68,1	27	9	36,1	56	10	G3/8
		inch	1,38	0,59	2,80	1,65	1,11	1,34	1,18	5,31	3,86	2,68		0,35	1,42	2,20	0,39	
GE5 DOUBLE G1/2 GE5GGT3_DOUBLE	13	mm	40	18,3	83	44,4	28,1	36	35	135	108,1	71,5	30	9	36,1	60,6	13	G1/2
		inch	1,57	0,72	3,27	1,75	1,11	1,42	1,38	5,31	4,26	2,81		0,35	1,42	2,39	0,51	



FOR AGRICULTURAL

GE2 LEVER TANDEM DIN/ISO 228 BSP

TYPE / ITEM CODE	DN	PN		A	B	C	D	L	H	X	ØLW	SW1/SW2	WEIGHT	ØM
GE2 LEVER TANDEM G1/4	DN6	MPa 500	mm	28,5	67,6	97,6	42,4	71	135	34	6	9	kg 0,98	G1/4
		Psi 7250	inch	1,12	2,66	3,84	1,67	2,80	5,31	1,34	0,24	0,35	lb 2,16	
GE2 LEVERTANDEM G3/8	DN10	MPa 500	mm	28,5	67,6	97,6	44,4	73	135	34	10	9	kg 1,2	G3/8
		Psi 7250	inch	1,12	2,66	3,84	1,75	2,87	5,31	1,34	0,39	0,35	lb 2,65	
GE2 LEVER TANDEM G1/2	DN13	MPa 500	mm	28,5	74,7	114	48,8	83	135	36	13	9	kg 1,4	G1/2
		Psi 7250	inch	1,12	2,94	4,49	1,92	3,27	5,31	1,42	0,51	0,35	lb 3,09	
GE2 LEVER TANDEM G3/4	DN20	MPa 420	mm	37	94	151	62,5	95	213	50	20	14	kg 2,5	G3/4
		Psi 6090	inch	1,46	3,70	5,94	2,46	3,74	8,39	1,97	0,79	0,55	lb 5,51	
GE2 LEVER TANDEM G1	DN25	MPa 420	mm	37	102	167	66,5	112,4	213	50	25	14	kg 3,8	G1
		Psi 6090	inch	1,46	4,02	6,57	2,62	4,43	8,39	1,97	0,98	0,55	lb 8,38	
GE2 LEVER TANDEM G1 1/4 R	DN25	MPa 350	mm	37	102	167	66,5	112,4	213	50	25	14	kg 3,8	G11/4
		Psi 5075	inch	1,46	4,02	6,57	2,62	4,43	8,39	1,97	0,98	0,55	lb 8,38	
GE2 LEVER TANDEM G1 1/2R	DN25	MPa 350	mm	37	102	167	66,5	112,4	213	50	25	14	kg 3,8	G1 1/2
		Psi 5075	inch	1,46	4,02	6,57	2,62	4,43	8,39	1,97	0,98	0,55	lb 8,38	

## GE2 LEVER TANDEM ANSI/ASME B1.20.1 NPT

TYPE / ITEM CODE	DN	PN		A	B	C	D	L	H	X	ØLW	SW1/SW2	WEIGHT	ØM	
GE2 LEVER TANDEM N1/4	DN6	MPa 500	mm	28,5	67,6	97,6	42,4	71	135	34	6	9	kg	0,98	N1/4
		Psi 7250	inch	1,12	2,66	3,84	1,67	2,80	5,31	1,34	0,24	0,35	lb	2,16	
GE2 LEVER TANDEM N3/8	DN10	MPa 500	mm	28,5	67,6	97,6	44,4	73	135	34	10	9	kg	1,2	N3/8
		Psi 7250	inch	1,12	2,66	3,84	1,75	2,87	5,31	1,34	0,39	0,35	lb	2,65	
GE2 LEVER TANDEM N1/2	DN13	Mpa 500	mm	28,5	74,7	114	48,8	83	135	36	13	9	kg	1,40	N1/2
		Psi 7250	inch	1,12	2,94	4,49	1,92	3,27	5,31	1,42	0,51	0,35	lb	3,09	
GE2 LEVER TANDEM N 3/4	DN20	Mpa 420	mm	37	94	151	62,5	95	213	36	20	14	kg	2,50	N3/4
		Psi 6090	inch	1,46	3,70	5,94	2,46	3,74	8,39	1,42	0,79	0,55	lb	5,51	
GE2 LEVER TANDEM N1	DN25	Mpa 350	mm	37	102	167	66,5	112,4	213	50	25	14	kg	3,80	N1
		Psi 5075	inch	1,46	4,02	6,57	2,62	4,43	8,39	1,97	0,98	0,55	lb	8,38	
GE2 LEVER TANDEM N1 1/4R	DN25	Mpa350	mm	37	102	167	66,5	112,4	213	50	25	14	kg	3,80	N1 1/4
		Psi 5075	inch	1,46	4,02	6,57	2,62	4,43	8,39	1,97	0,98	0,55	lb	8,38	
GE2 LEVER TANDEM N1 1/2R	DN25	Mpa 350	mm	37	102	167	66,5	112,4	213	50	25	14	kg	3,80	N1 1/2
		Psi5075	inch	1,46	4,02	6,57	2,62	4,43	8,39	1,97	0,98	0,55	lb	8,38	

## GE2 LEVER TANDEM SAE J1926-1

TYPE / ITEM CODE	DN	PN		A	B	C	D	L	H	X	ØLW	SW1/SW2	WEIGHT	ØM	
GE2 LEVER TANDEM SAE4	DN6	MPa 500	mm	28,5	67,6	97,6	42,4	71	135	34	6	9	kg	0,98	7/16
		Psi 7250	inch	1,12	2,66	3,84	1,67	2,80	5,31	1,34	0,24	0,35	lb	2,16	UNF
GE2 LEVER TANDEM SAE6	DN10	MPa 500	mm	28,5	67,6	97,6	44,4	73	135	34	10	9	kg	1,2	9/16
		Psi 7250	inch	1,12	2,66	3,84	1,75	2,87	5,31	1,34	0,39	0,35	lb	2,65	UNF
GE2 LEVER TANDEM SAE8	DN13	Mpa 500	mm	28,5	74,7	114	48,8	83	135	36	13	9	kg	1,4	3/4
		Psi 7250	inch	1,12	2,94	4,49	1,92	3,27	5,31	1,42	0,51	0,35	lb	3,09	UNF
GE2 LEVER TANDEM SAE12	DN20	Mpa 420	mm	37	94	151	62,5	95	213	36	20	14	kg	2,50	1 1/16
		Psi 6090	inch	1,46	3,70	5,94	2,46	3,74	8,39	1,42	0,79	0,55	lb	5,51	UNF
GE2 LEVER TANDEM SA16	DN25	Mpa 350	mm	37	102	167	66,5	112,4	213	50	25	14	kg	3,80	1 5/16
		Psi 5075	inch	1,46	4,02	6,57	2,62	4,43	8,39	1,97	0,98	0,55	lb	8,38	UNF
GE2 LEVER TANDEM SAE20R	DN25	Mpa350	mm	37	102	167	66,5	112,4	213	50	25	14	kg	3,80	1 5/8
		Psi 5075	inch	1,46	4,02	6,57	2,62	4,43	8,39	1,97	0,98	0,55	lb	8,38	UNF
GE2 LEVER TANDEM SAE24R	DN25	Mpa 350	mm	37	102	167	66,5	112,4	213	50	25	14	kg	3,80	1 7/8
		Psi5075	inch	1,46	4,02	6,57	2,62	4,43	8,39	1,97	0,98	0,55	lb	8,38	UNF

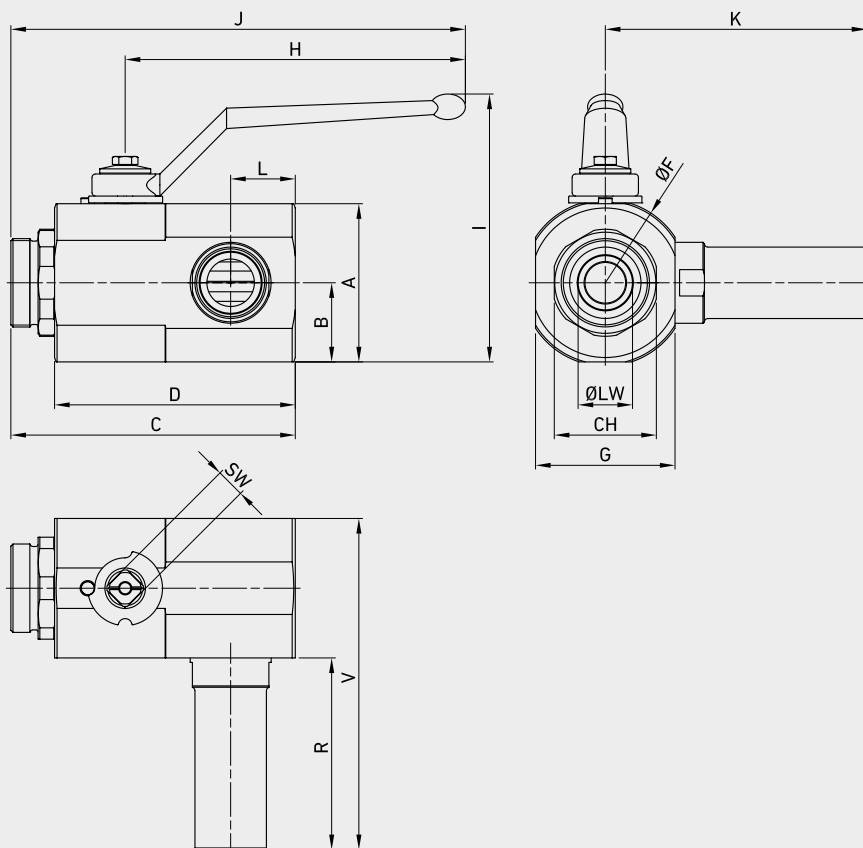
> continue at following page

**GE2 LEVER TANDEM DIN 2353 HEAVY SERIES**

TYPE / ITEM CODE	DN	PN		A	B	C	D	L	H	X	ØLW	SW1/SW2	WEIGHT	ØM
GE2 LEVER TANDEM 8S	DN6	MPa 500	mm	28,5	67,6	97,6	42,4	76	135	34	4	9	kg 0,98	M16x1,5
		Psi 7250	inch	1,12	2,66	3,84	1,67	2,99	5,31	1,34	0,16	0,35	lb 2,16	
GE2 LEVER TANDEM 10S	DN6	MPa 500	mm	28,5	67,6	97,6	42,4	76	135	34	6	9	kg 0,98	M18x1,5
		Psi 7250	inch	1,12	2,66	3,84	1,67	2,99	5,31	1,34	0,24	0,35	lb 2,16	
GE2 LEVER TANDEM 12S	DN8	MPa 500	mm	28,5	67,6	97,6	42,4	76	135	34	8	9	kg 0,98	M20x1,5
		Psi 7250	inch	1,12	2,66	3,84	1,67	2,99	5,31	1,34	0,31	0,35	lb 2,16	
GE2 LEVER TANDEM 12S	DN10	MPa 500	mm	28,5	67,6	97,6	42,4	76	135	34	10	9	kg 1,2	M20x1,5
		Psi 7250	inch	1,12	2,66	3,84	1,67	2,99	5,31	1,34	0,39	0,35	lb 2,65	
GE2 LEVER TANDEM 14S	DN10	MPa 500	mm	28,5	67,6	97,6	42,4	82,5	135	34	10	9	kg 1,2	M22x1,5
		Psi 7250	inch	1,12	2,66	3,84	1,67	3,25	5,31	1,34	0,39	0,35	lb 2,65	
GE2 LEVER TANDEM 16S	DN13	MPa 500	mm	28,5	67,6	97,6	42,4	89	135	34	13	9	kg 1,4	M24x1,5
		Psi 7250	inch	1,12	2,66	3,84	1,67	3,50	5,31	1,34	0,51	0,35	lb 3,09	
GE2 LEVER TANDEM 20S	DN13	MPa 500	mm	28,5	67,6	97,6	42,4	93	135	34	13	9	kg 1,4	M30x2
		Psi 7250	inch	1,12	2,66	3,84	1,67	3,66	5,31	1,34	0,51	0,35	lb 3,09	
GE2 LEVER TANDEM 25S	DN20	Mpa 420	mm	37	94	151	62,5	111	213	50	20	14	kg 2,50	M36X2
		Psi 6090	inch	1,46	3,70	5,94	2,46	4,37	8,39	1,97	0,79	0,55	lb 5,51	
GE2 LEVER TANDEM 30S	DN25	Mpa 350	mm	37	102	167	66,5	121	213	50	25	14	kg 3,80	M42X2
		Psi 5075	inch	1,46	4,02	6,57	2,62	4,76	8,39	1,97	0,98	0,55	lb 8,38	
GE2 LEVER TANDEM 38S	DN25	Mpa350	mm	37	102	167	66,5	131	213	50	25	14	kg 3,80	M52X2
		Psi 5075	inch	1,46	4,02	6,57	2,62	5,16	8,39	1,97	0,98	0,55	lb 8,38	

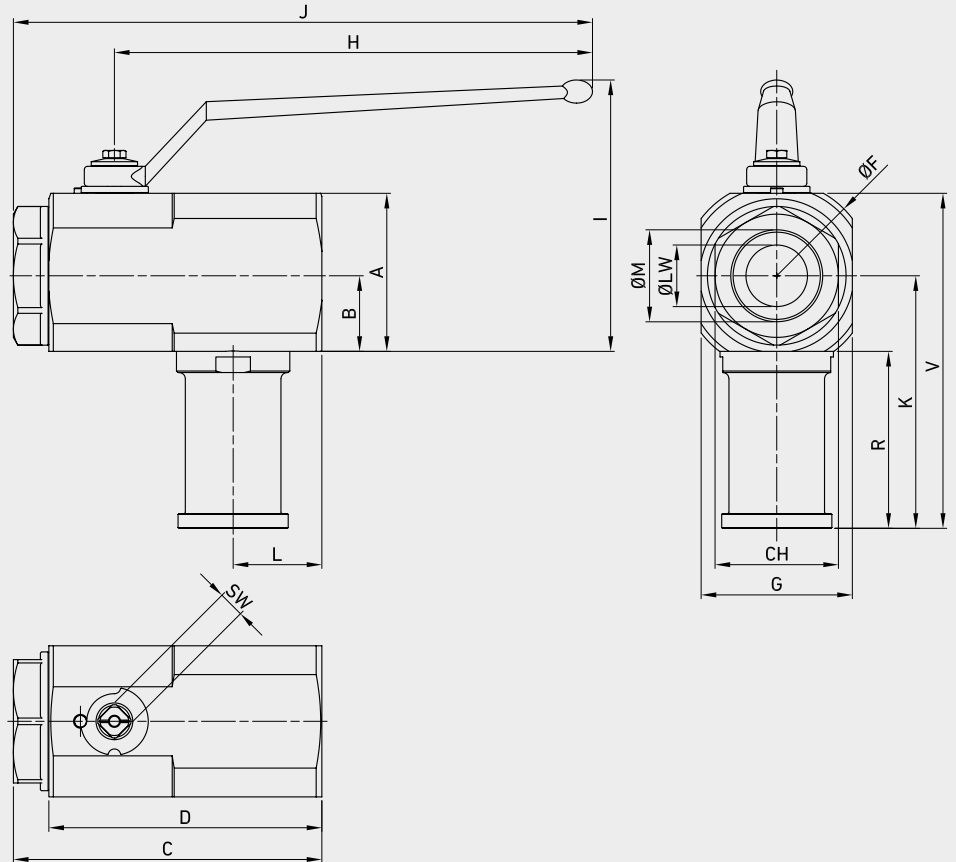
**GE2 LEVER TANDEM DIN 2353 LIGHT SERIES**

TYPE / ITEM CODE	DN	PN		A	B	C	D	L	H	X	ØLW	SW1/SW2	WEIGHT	ØM
GE2 LEVER TANDEM 6L	DN6	MPa 500	mm	28,5	67,6	97,6	42,4	76	135	34	6	9	kg 0,98	M12X1,5
		Psi 7250	inch	1,12	2,66	3,84	1,67	2,99	5,31	1,34	0,24	0,35	lb 2,16	
GE2 LEVER TANDEM 8L	DN6	MPa 500	mm	28,5	67,6	97,6	42,4	76	135	34	6	9	kg 0,98	M14X1,5
		Psi 7250	inch	1,12	2,66	3,84	1,67	2,99	5,31	1,34	0,24	0,35	lb 2,16	
GE2 LEVER TANDEM 10L	DN6	MPa 500	mm	28,5	67,6	97,6	42,4	76	135	34	6	9	kg 0,98	M16X1,5
		Psi 7250	inch	1,12	2,66	3,84	1,67	2,99	5,31	1,34	0,24	0,35	lb 2,16	
GE2 LEVER TANDEM 10L	DN10	MPa 500	mm	28,5	67,6	97,6	42,4	76,5	135	34	8	9	kg 1,2	M16X1,5
		Psi 7250	inch	1,12	2,66	3,84	1,67	3,01	5,31	1,34	0,31	0,35	lb 2,65	
GE2 LEVER TANDEM 12L	DN10	MPa 500	mm	28,5	67,6	97,6	42,4	79,5	135	34	10	9	kg 1,2	M18X1,5
		Psi 7250	inch	1,12	2,66	3,84	1,67	3,13	5,31	1,34	0,39	0,35	lb 2,65	
GE2 LEVER TANDEM 15L	DN13	MPa 500	mm	28,5	67,6	97,6	42,4	87	135	34	13	9	kg 1,4	M22X1,5
		Psi 7250	inch	1,12	2,66	3,84	1,67	3,43	5,31	1,34	0,51	0,35	lb 3,09	
GE2 LEVER TANDEM 18L	DN13	MPa 500	mm	28,5	67,6	97,6	42,4	87	135	34	13	9	kg 1,4	M26X15
		Psi 7250	inch	1,12	2,66	3,84	1,67	3,43	5,31	1,34	0,51	0,35	lb 3,09	
GE2 LEVER TANDEM 22L	DN20	Mpa 420	mm	37	94	151	62,5	110	213	50	20	14	kg 2,50	M30X2
		Psi 6090	inch	1,46	3,70	5,94	2,46	4,33	8,39	1,97	0,79	0,55	lb 5,51	
GE2 LEVER TANDEM 28L	DN25	Mpa 350	mm	37	102	167	66,5	117	213	50	25	14	kg 3,80	M36X2
		Psi 5075	inch	1,46	4,02	6,57	2,62	4,61	8,39	1,97	0,98	0,55	lb 8,38	
GE2 LEVER TANDEM 35L	DN25	Mpa350	mm	37	102	167	66,5	119	213	50	25	14	kg 3,80	M45X2
		Psi 5075	inch	1,46	4,02	6,57	2,62	4,69	8,39	1,97	0,98	0,55	lb 8,38	
GE2 LEVER TANDEM 42L	DN25	Mpa350	mm	37	102	167	66,5	119	213	50	25	14	kg 3,80	M52X2
		Psi 5075	inch	1,46	4,02	6,57	2,62	4,69	8,39	1,97	0,98	0,55	lb 8,38	



## FOR BUILDING

TYPE / ITEM CODE	DN	A	B	C	D	H	I	L	J	ØM	ØLW	CH	G	ØF	K	R	V	SW	
VA DN25 35L PIPE 35L	25	mm	71	35,5	146	119,6	180	120	38	240	M45x2	25	55	74	83,5	178	141	215	14
		inch	2,80	1,40	5,75	4,71	7,09	4,72	1,50	9,45		0,98		2,91	3,29	7,01	5,55	8,46	0,55
VA DN32 42L PIPE 42L	32	mm	93	46,5	163,2	137,5	200	158	38	263	M52x2	32	60	82	98	161	120	202	17
		inch	3,66	1,83	6,43	5,41	7,87	6,22	1,50	10,35		1,26		3,23	3,86	6,34	4,72	7,95	0,67
VA DN32 G1 1/4 PIPE 35L	32	mm	93	46,5	157,5	137,5	200	158	38	257,5	G 1 1/4	32	70	82	98	126	141	167	17
		inch	3,66	1,83	6,20	5,41	7,87	6,22	1,50	10,14		1,26		3,23	3,86	4,96	5,55	6,57	0,67
VA DN32 G1 1/2 PIPE 42L	32	mm	93	46,5	157,5	137,5	200	158	38	257,5	G 1 1/2	32	70	82	98	161	120	202	17
		inch	3,66	1,83	6,20	5,41	7,87	6,22	1,50	10,14		1,26		3,23	3,86	6,34	4,72	7,95	0,67



FOR BUILDING

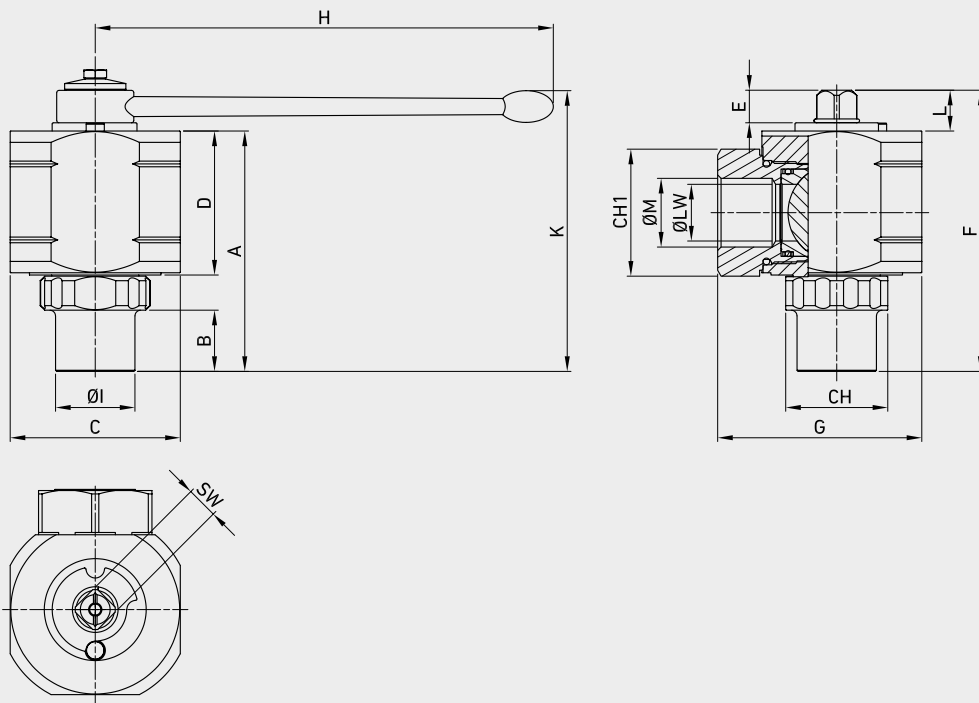
TYPE / ITEM CODE	DN	A	B	C	D	H	I	L	J	ØM	ØLW	CH	G	ØF	K	R	V	SW	
VA DN40 G2R PIPE SAE3000	40	mm	102,5	49	200	177	310	176	57,5	375,5	G2	40	80	98	123	164	115	217	17
		inch	4,04	1,93	7,87	6,97	12,20	6,93	2,26	14,78		1,57		3,86	4,84	6,46	4,53	8,54	0,67
VA DN40 G2R PIPE 42L	40	mm	102,5	49	200	177	200	167	57,5	265,5	G2	40	80	98	123	128,5	79,5	182	17
		inch	4,04	1,93	7,87	6,97	7,87	6,57	2,26	10,45		1,57		3,86	4,84	5,06	3,13	7,17	0,67
VA DN40 G2R PIPE G2M	40	mm	102,5	49	200	177	200	167	57,5	265,5	G2	40	80	98	123	158	109	211,5	17
		inch	4,04	1,93	7,87	6,97	7,87	6,57	2,26	10,45		1,57		3,86	4,84	6,22	4,29	8,33	0,67

On request

Supply and assembly of NUT and CUTTING RING

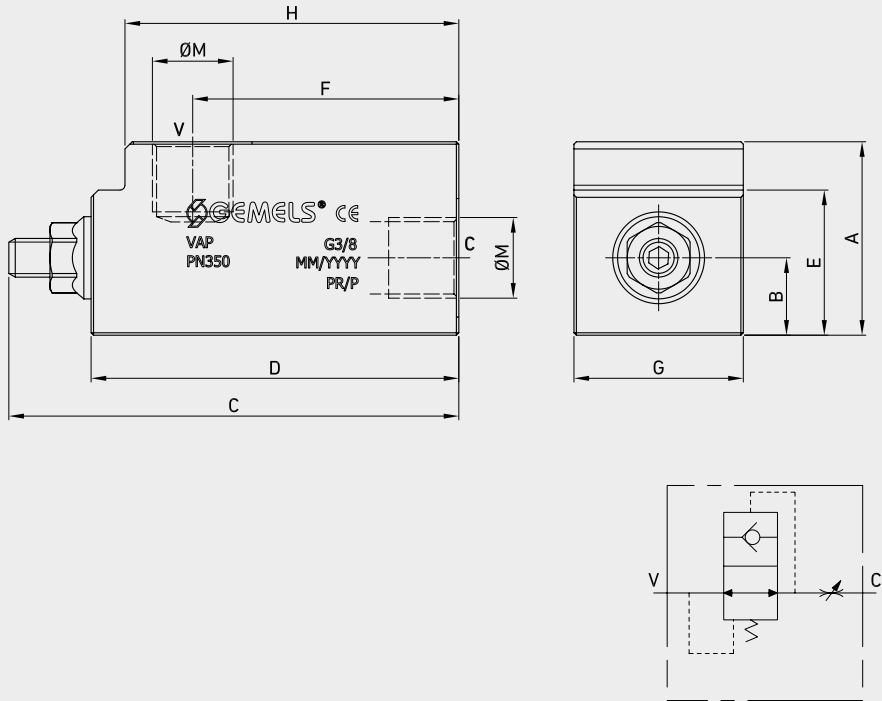
Supply of KIT for pipe separately

Pipe available with different threads



FOR BUILDING/ELEVATOR

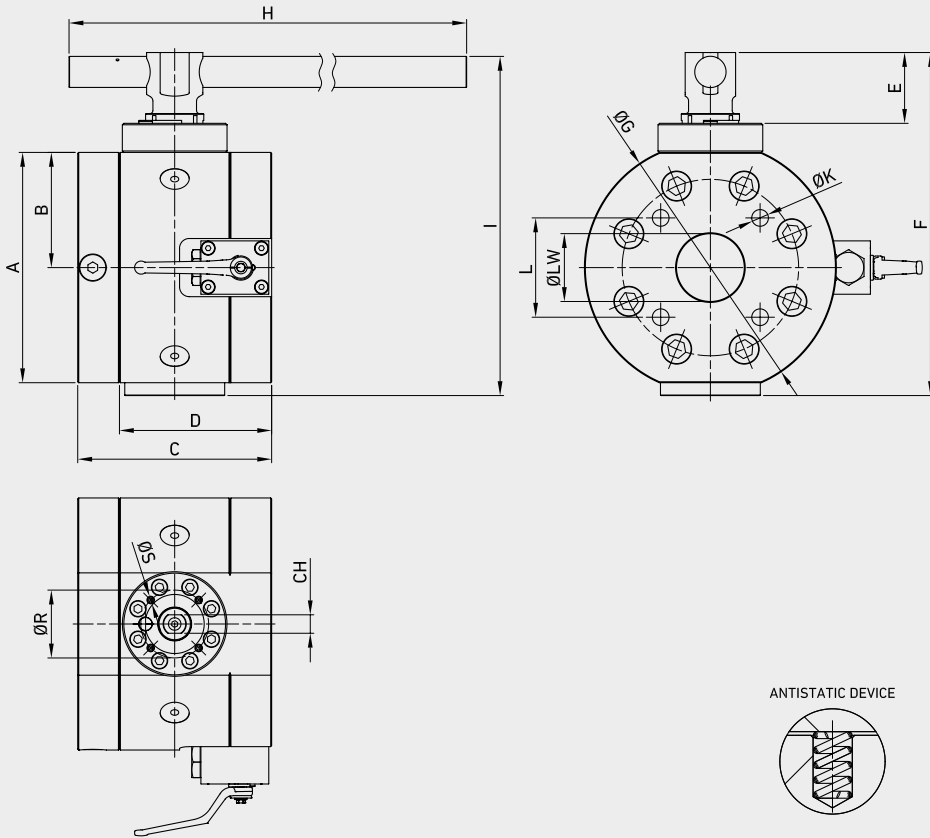
TYPE / ITEM CODE	DN	A	B	C	D	E	F	G	H	ØI	L	CH	CH1	SW	K	ØLW	ØM
VA DN25 G1 PIPE 35L - S310206A01A0PAP	DN25	mm	106	27	70,5	75	14,35	124	90	35	18	45	50	14	124	25	G1
		inch	4,17	1,06	2,78	2,95	0,56	4,88	3,54	7,95	1,38	0,71	0,55	4,88	0,98		



FOR BUILDING/ELEVATOR

TYPE / ITEM CODE	DN	A	B	C	D	E	F	G	H	ØM	
VAP DN10 G3/8 - S680203A01AAPAU	10	mm	40	16	93	76	30	55	35	69	G3/8
		inch	1,57	0,63	3,66	2,99	1,18	2,17	1,38	2,72	



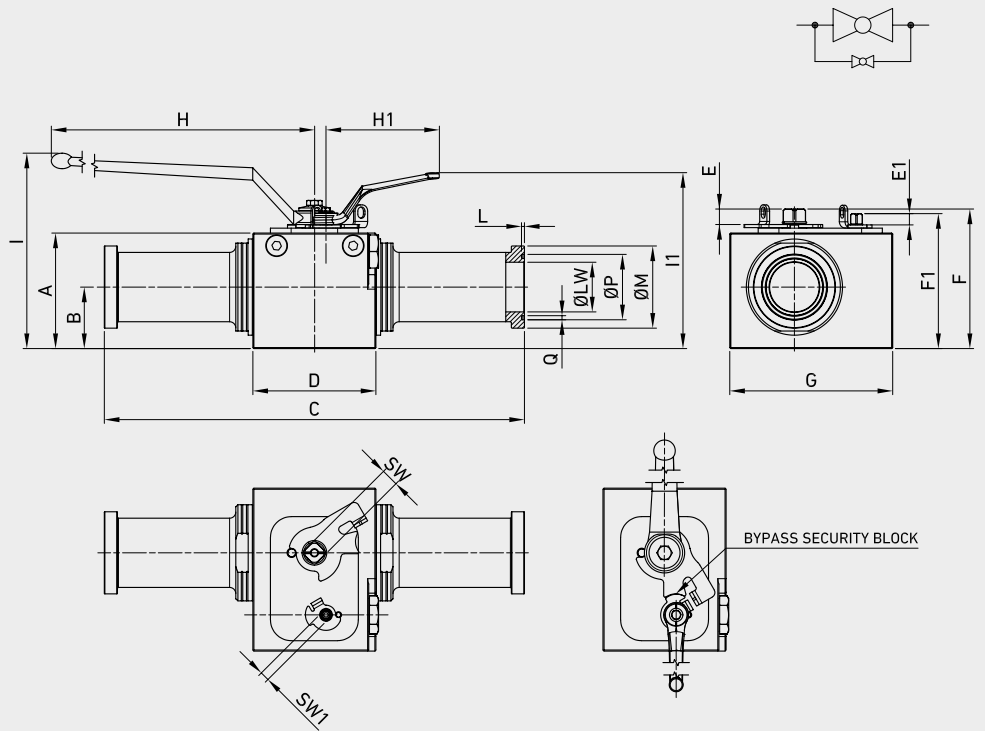


ANTISTATIC DEVICE



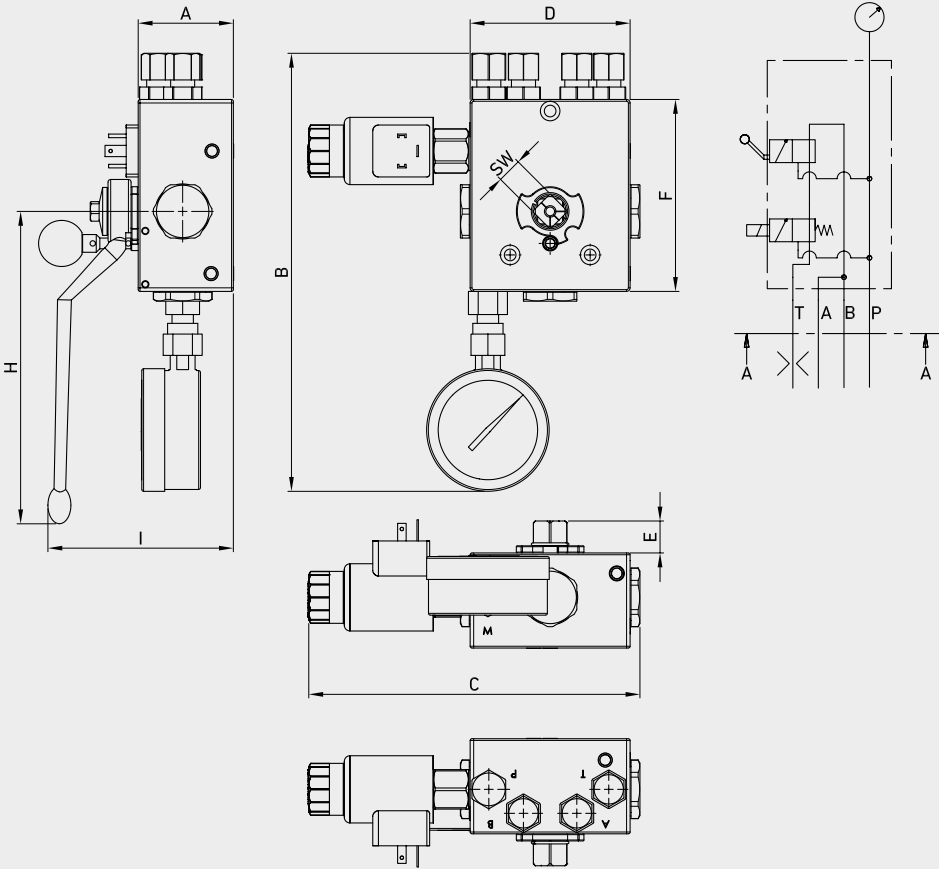
FOR STEEL PLANT

TYPE / ITEM CODE	DN	A	B	C	D	E	F	ØG	H	I	L	ØK	ØT	ØS	ISO5211	CH	ØLW
GRY 3"	74	mm	238	119	200	157	73	354	260	650	350	102,5	70	M8	F07	19	74
		inch	9,37	4,69	7,87	6,18	2,87	13,94	10,24	25,59	13,78	4,04	4xM20	2,76	M8	F07	19
GRY 4"	100	mm	300	150	280	223,5	77	412	300	650	400	113,2	102	M10	F10	24	100
		inch	11,81	5,91	11,02	8,80	3,03	16,22	11,81	25,59	15,75	4,46	4xM24	4,02	M10	F10	24



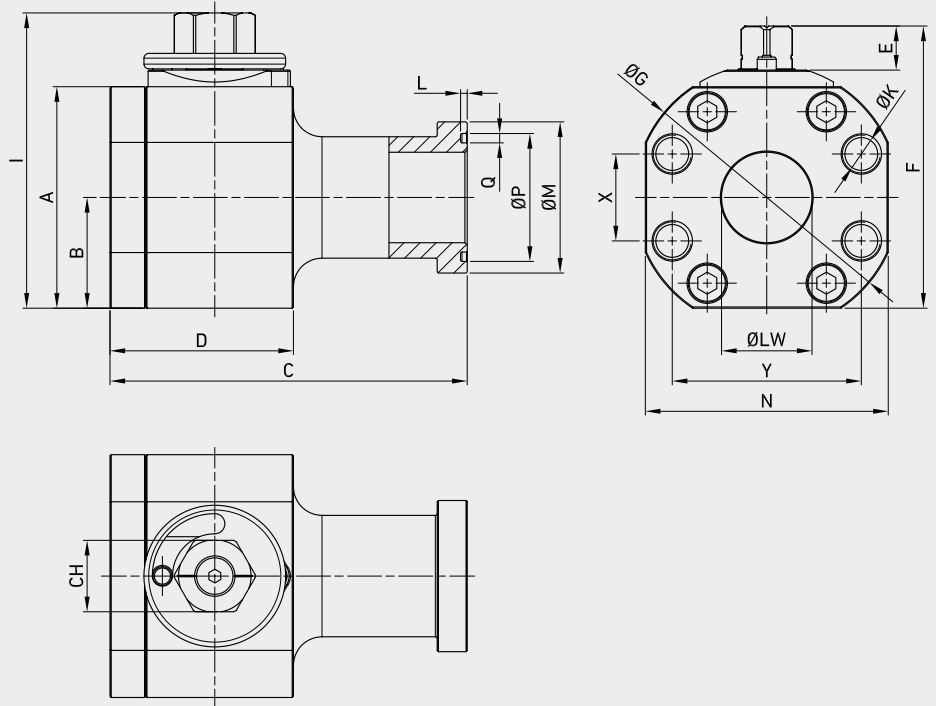
FOR STEEL PLANT

TYPE / ITEM CODE	DN	PN		A	B	C	D	E	E1	F	F1	G	H	H1	I	I1	ØM	ØP	Q	SW	SW1	ØLW	
GBYS6 (SAE J518 S6000 EXTRA LONG)	50	MPa	42	mm	112	60	406	119	15	11	135	131	157,5	310	110	189	170	79,4	63,25	3,94	17	9	48
		Psi	6090	inch	4,41	2,36	15,98	4,69	0,59	0,43	5,31	5,16	6,20	12,20	4,33	7,44	6,69	3,13	2,49	0,16	0,67	0,35	1,89



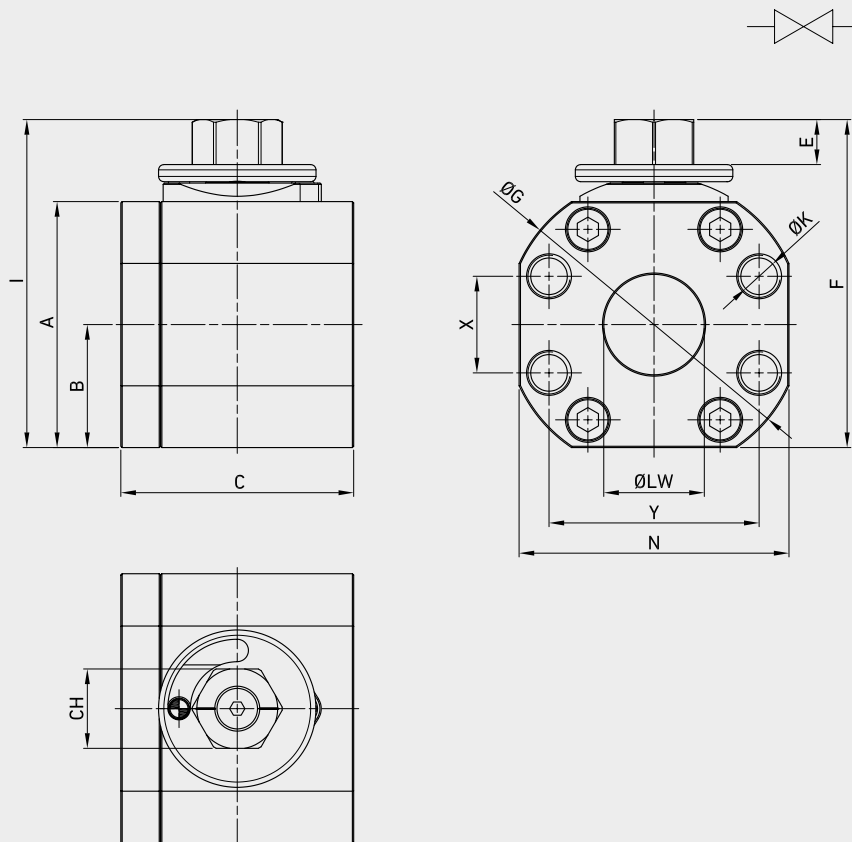
FOR MARINE

TYPE / ITEM CODE	DN		A	B	C	D	E	F	H	I	SW
G3DB 3/8	10	mm	53,5	247	186	90	18	108	178	104	14
		inch	2,11	9,72	7,32	3,54	0,71	4,25	7,01	4,09	0,55



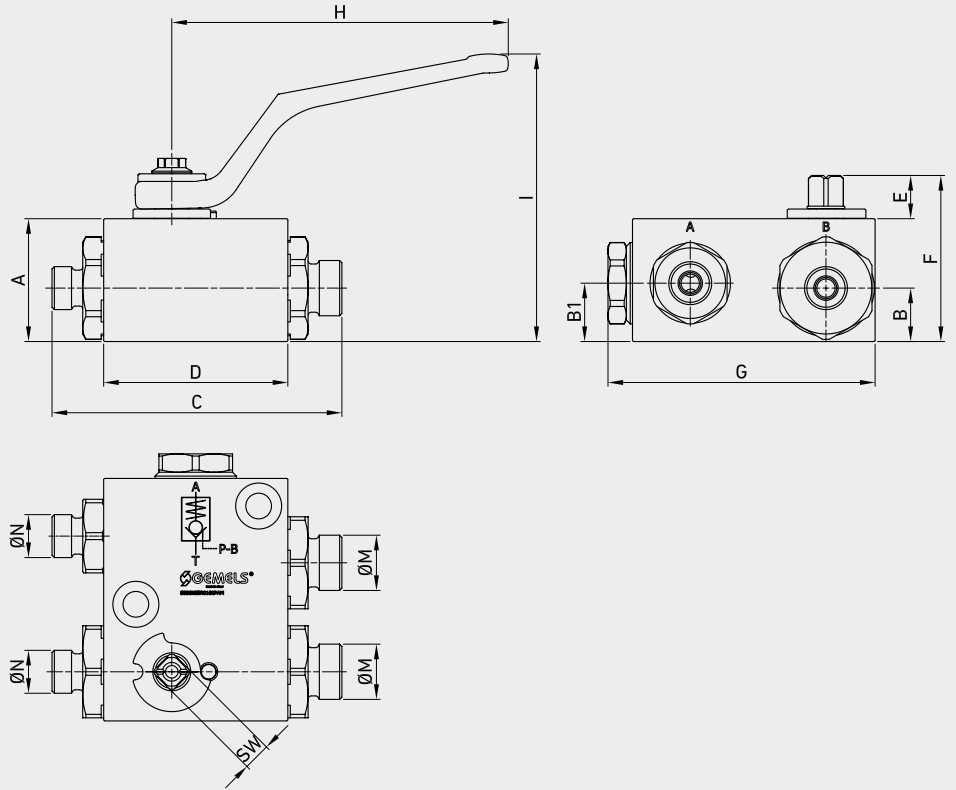
FOR BUILDING / HEAVY EQUIPMENT

TYPE / ITEM CODE	DN	A	B	C	D	E	F	ØG	I	L	ØM	N	CH	ØP	Q	X	Y	ØK	ØLW
GB2 S6 1 1/2	40	mm	93	46,5	150	77	118,5	112	124	2,79	63,5	102	30	53,72	3,94	36,5	79,4	4xM16	38
		inch	3,66	1,83	5,91	3,03	0,73	4,67	4,41	4,88	0,11	2,50		4,02	2,11	0,16	1,44		3,13
GB2 S3 2	40	mm	93	46,5	150	77	118,5	112	124	2,79	71,75	102	30	63,25	3,94	42,9	77,8	4xM12	38
		inch	3,66	1,83	5,91	3,03	0,73	4,67	4,41	4,88	0,11	2,82		4,02	2,49	0,16	1,69		3,06



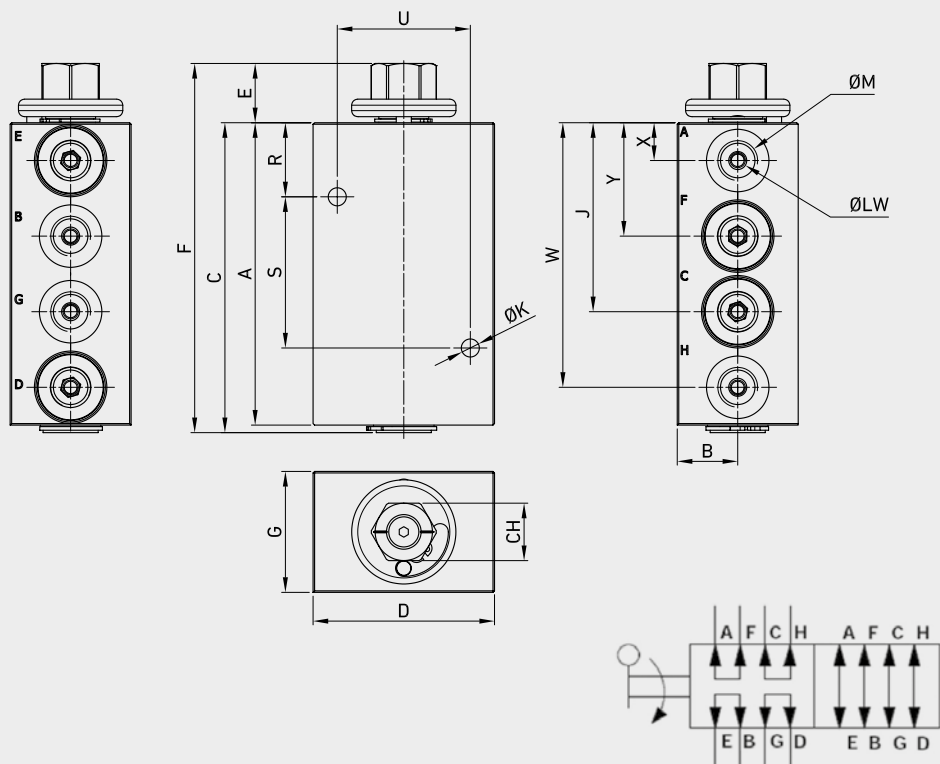
FOR BUILDING / HEAVY EQUIPMENT

TYPE / ITEM CODE	DN	A	B	C	D	E	F	ØG	I	L	ØM	N	CH	ØP	Q	X	Y	ØK	ØLW
GB2 S6 1 1/2	40	mm	93	46,5	88	-	18,5	118,5	112	124	-	-	102	-	-	36,5	79,4	4xM16	38
		inch	3,66	1,83	3,46	-	0,73	4,67	4,41	4,88	-	-	4,02	30	-	-	1,44	3,13	



FOR BUILDING / HEAVY EQUIPMENT

TYPE / ITEM CODE	DN		A	B	B1	C	D	E	F	G	H	I	ØM	ØN	SW
GESp4 DIN12L/8L VBpSE 3/8 DN10	10	mm	40	17,4	19	94,4	60	14,1	54,1	87	110	94	DIN 12L	DIN 8L	9
		inch	1,57	0,69	0,75	3,72	2,36	0,56	2,13	3,43	4,33	3,70	-	-	0,35

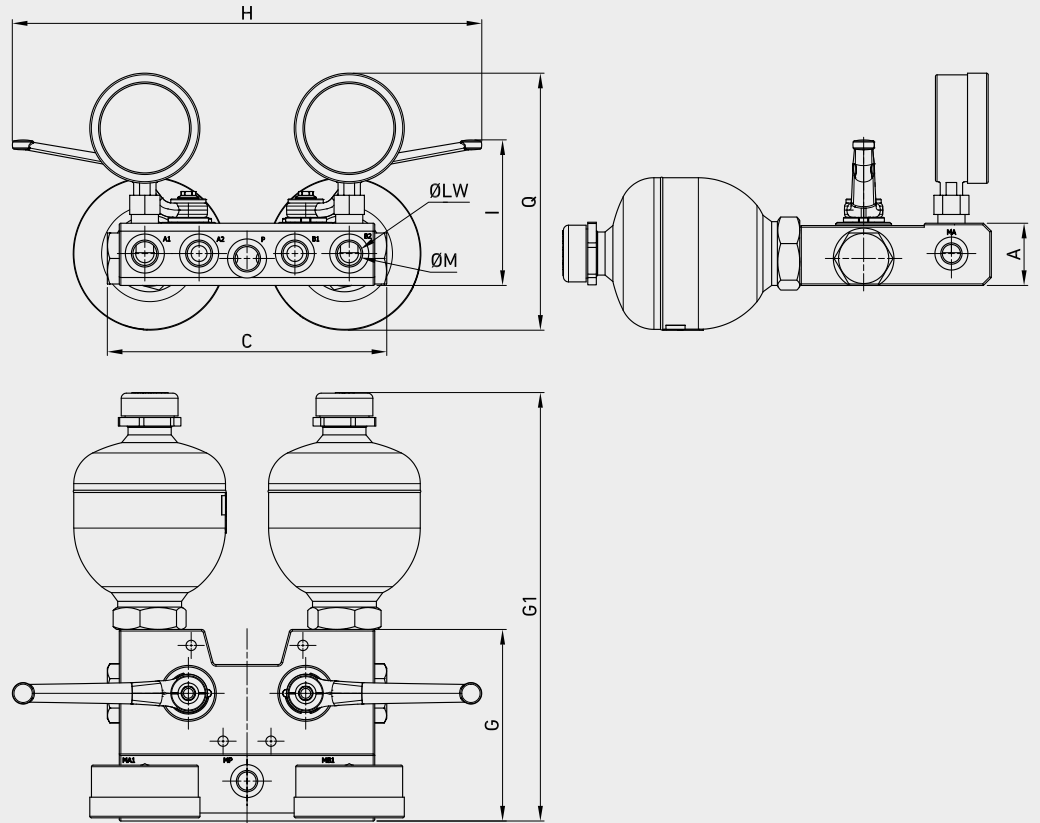


FOR HEAVY EQUIPMENT

TYPE / ITEM CODE	DN	PN	A	B	C	D	E	F	G	J	ØM	ØK	R	S	U	W	X	Y	CH	ØLW
PA00401	6	MPa 15	mm 100	20	102,5	60	20	122	40	62,5	G1/4	6	24,5	50	44	87,5	12,5	37,5	19	6
		Psi 2175,00	inch 3,94	0,79	4,04	2,36	0,79	4,80	1,57	2,46										

CUSTOMIZED

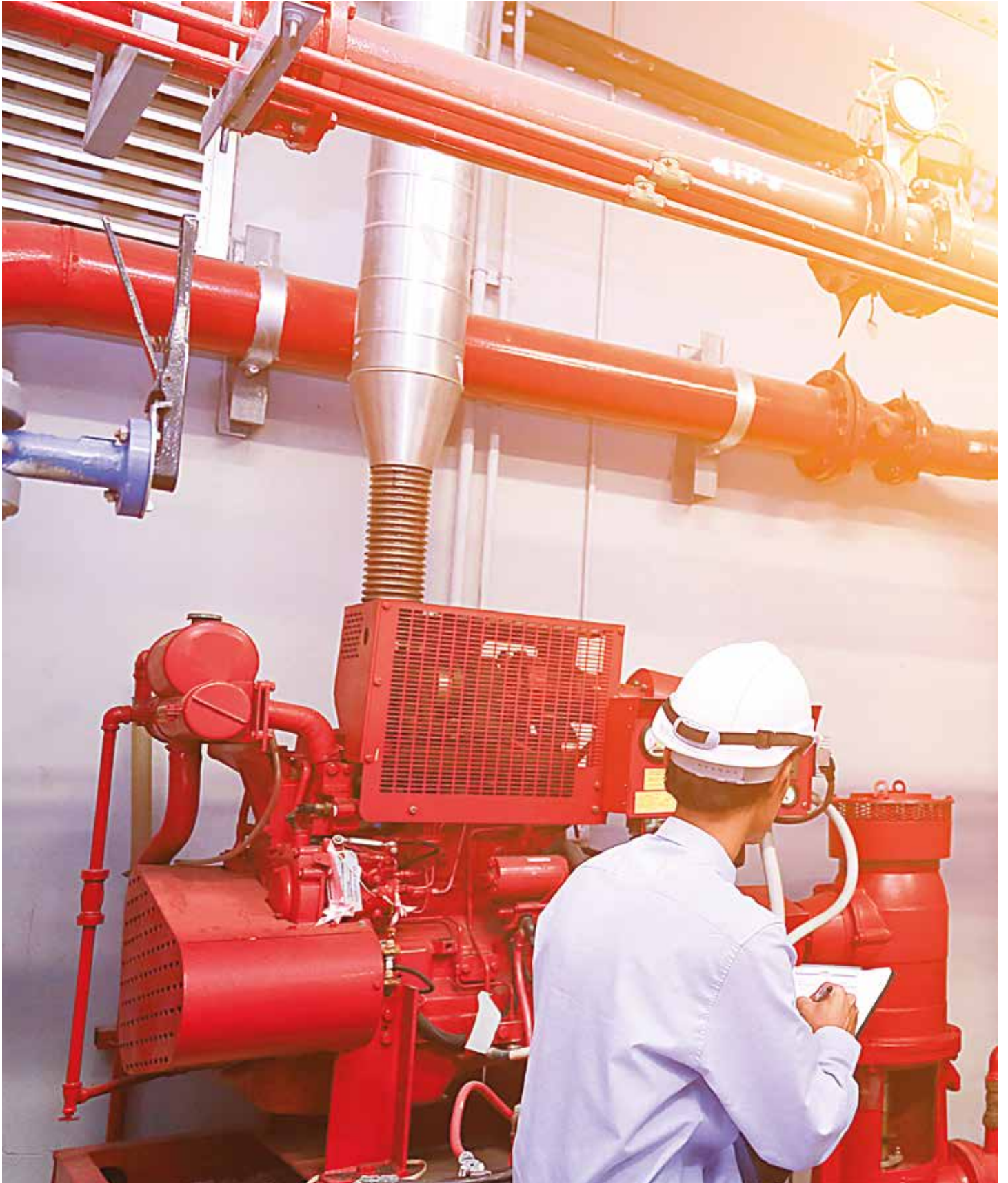
HYDRAULIC BALL VALVES



FOR OLEODYNAMIC

TYPE / ITEM CODE	DN		A	C	G	G1	H	I	Q	ØM	ØLW
VALVE BLOCK	10	mm	39	175	120	268	294	91	161	G1/2	10
		inch	1,54	6,89	4,72	10,55	11,57	3,58	6,34		0,39







# GH2

## 2-WAY HIGH PRESSURE BALL VALVES

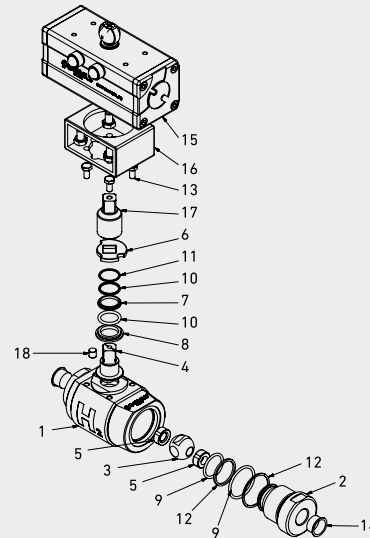
- For hydrogen application
- Up to PN1000

Edition. 21.2

### SS Stainless Steel

- Type: ball valve 2 way high cycle
- Sizes: from DN6 up to DN25
- Ends: BSP-NPT-SAE
- Pressure: up to PN1000
- Treatment: Galvanized

### STANDARD COMPOSITION OF VALVE



POS	DESCRIPTION	Q.TY	<span style="background-color: #0070C0; color: white; border-radius: 50%; padding: 2px;">SS</span> Stainless Steel MATERIAL
1	Body	1	ASTM A479 TP.316
2	Adapter	1	ASTM A479 TP.316
3	Ball	1	ASTM A182 FXM-19
4	Stem	1	ASTM A182 FXM-19
5	Ball seat	2	GEM_PA
6	Washer	1	AISI 316
7	Upper Bushing	1	GEM_PA
8	Lower Bushing	1	GEM_PA
9	Adapter o-ring	2	FKM AED
10	Stem o-ring	2	FKM AED
11	Stem Back-up	1	PTFE
12	Adapter Back-up	2	PTFE
13	Screws	8	ISO 4017 A4
14	Caps	2	PVC
15	Actuator	1	N/A
16	Connector	1	1.0737
17	Joint	1	1.0737
18	Pin	1	AISI 316



## CODE DESCRIPTION STRUCTURE

**GH2** **G1/2** **DN13** **4** **4** **J** **4** **A** **B**

**Type and way of valve**

GH2 2-way

**Ends**

GAS DIN/ ISO 228 BSP	NPT ANSI /ASME B1.20.1	SAE J1926-1
G 1/4	N 1/4	SAE4
G 3/8	N 3/8	SAE6
G 1/2	N 1/2	SAE8
G 3/4	N 3/4	SAE12
G 1	N 1	SAE16

**Size**

From DN6 to DN25

**Body Material**

ASTM A479 TP316

**Adapter material**

ASTM A479 TP316

**Steam material**

ASTM A182 FXM-19

**Ball Material**

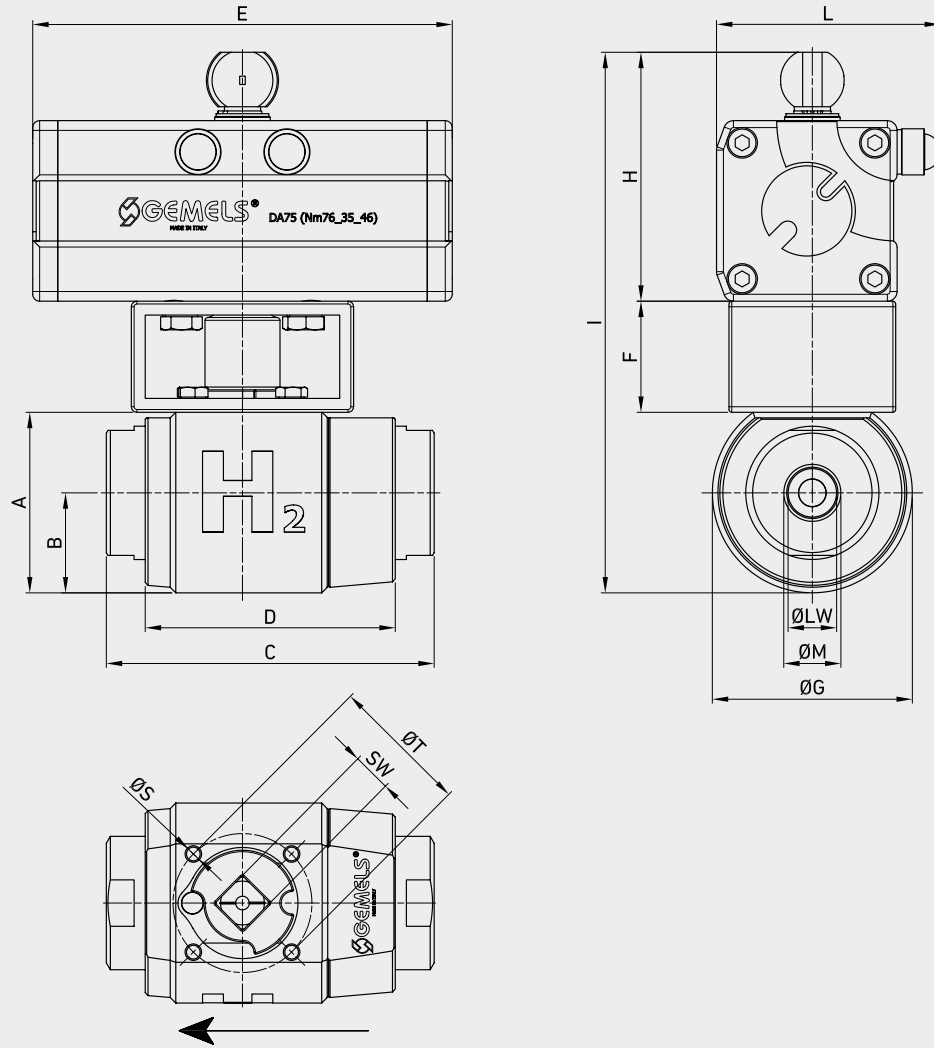
ASTM A182 FXM-19

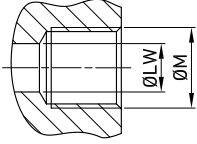
**Seat material**

GEM PA

**Seal material**

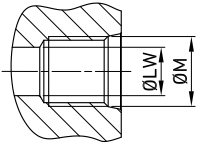
FKM AED





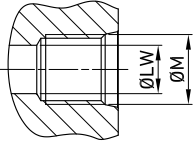
### GH2 DIN/ISO 228 BSP

TYPE	DN	PN		A	B	C	D	E	F	G	H	I	ØM	ØS	ØT	ISO5211	SW	ØLW
GH2	6	MPa 100	mm	65,5	36	118	90	151	40	72	90	195	G 1/4	M6	50	F05	14	10
		Psi 14500	inch	2,58	1,42	4,65	3,54	5,94	1,57	2,83	3,54	7,68			1,97		0,55	0,39
GH2	10	MPa 100	mm	65,5	36	118	90	151	40	72	90	195	G 3/8	M6	50	F05	14	10
		Psi 14500	inch	2,58	1,42	4,65	3,54	5,94	1,57	2,83	3,54	7,68			1,97		0,55	0,39
GH2	13	MPa 100	mm	65,5	36	118	90	151	40	72	90	195	G 1/2	M6	50	F05	14	12
		Psi 14500	inch	2,58	1,42	4,65	3,54	5,94	1,57	2,83	3,54	7,68			1,97		0,55	0,47
GH2	20	MPa 100	mm	78,5	42	126,5	98,5	151	40	84	90	208,5	G 3/4	M6	50	F05	14	18
		Psi 14500	inch	3,09	1,65	4,98	3,88	5,94	1,57	3,31	3,54	8,21			1,97		0,55	0,71
GH2	25	MPa 100	mm	78,5	42	126,5	98,5	151	40	84	90	208,5	G 1	M6	50	F05	14	18
		Psi 14500	inch	3,09	1,65	4,98	3,88	5,94	1,57	3,31	3,54	8,21			1,97		0,55	0,71



### GH2 ANSI/ASME B1.20.1 NPT

TYPE	DN	PN		A	B	C	D	E	F	G	H	I	ØM	ØS	ØT	ISO5211	SW	ØLW
GH2	6	MPa 100	mm	65,5	36	118	90	151	40	72	90	195	N 1/4	M6	50	F05	14	10
		Psi 14500	inch	2,58	1,42	4,65	3,54	5,94	1,57	2,83	3,54	7,68			1,97		0,55	0,39
GH2	10	MPa 100	mm	65,5	36	118	90	151	40	72	90	195	N 3/8	M6	50	F05	14	10
		Psi 14500	inch	2,58	1,42	4,65	3,54	5,94	1,57	2,83	3,54	7,68			1,97		0,55	0,39
GH2	13	MPa 100	mm	65,5	36	118	90	151	40	72	90	195	N 1/2	M6	50	F05	14	12
		Psi 14500	inch	2,58	1,42	4,65	3,54	5,94	1,57	2,83	3,54	7,68			1,97		0,55	0,47
GH2	20	MPa 100	mm	78,5	42	126,5	98,5	151	40	84	90	208,5	N 3/4	M6	50	F05	14	18
		Psi 14500	inch	3,09	1,65	4,98	3,88	5,94	1,57	3,31	3,54	8,21			1,97		0,55	0,71
GH2	25	MPa 100	mm	78,5	42	126,5	98,5	151	40	84	90	208,5	N 1	M6	50	F05	14	18
		Psi 14500	inch	3,09	1,65	4,98	3,88	5,94	1,57	3,31	3,54	8,21			1,97		0,55	0,71



GH2 SAE J1926-1

TYPE	DN	PN	A	B	C	D	E	F	G	H	I	ØM	ØS	ØT	ISO5211	SW	ØLW	
GH2	6	MPa 100	mm	65,5	36	118	90	151	40	72	90	195	7/16 UNF	M6	50	F05	14	10
		Psi 14500	inch	2,58	1,42	4,65	3,54	5,94	1,57	2,83	3,54	7,68			1,97		0,55	0,39
GH2	10	MPa 100	mm	65,5	36	118	90	151	40	72	90	195	9/16 UNF	M6	50	F05	14	10
		Psi 14500	inch	2,58	1,42	4,65	3,54	5,94	1,57	2,83	3,54	7,68			1,97		0,55	0,39
GH2	13	MPa 100	mm	65,5	36	118	90	151	40	72	90	195	3/4 UNF	M6	50	F05	14	12
		Psi 14500	inch	2,58	1,42	4,65	3,54	5,94	1,57	2,83	3,54	7,68			1,97		0,55	0,47
GH2	20	MPa 100	mm	78,5	42	126,5	98,5	151	40	84	90	208,5	1 1/16 UNF	M6	50	F05	14	18
		Psi 14500	inch	3,09	1,65	4,98	3,88	5,94	1,57	3,31	3,54	8,21			1,97		0,55	0,71
GH2	25	MPa 100	mm	78,5	42	126,5	98,5	151	40	84	90	208,5	1 5/16 UNF	M6	50	F05	14	18
		Psi 14500	inch	3,09	1,65	4,98	3,88	5,94	1,57	3,31	3,54	8,21			1,97		0,55	0,71





# GEM

## 2-WAY HIGH PRESSURE BALL VALVES

Edition. 21.1

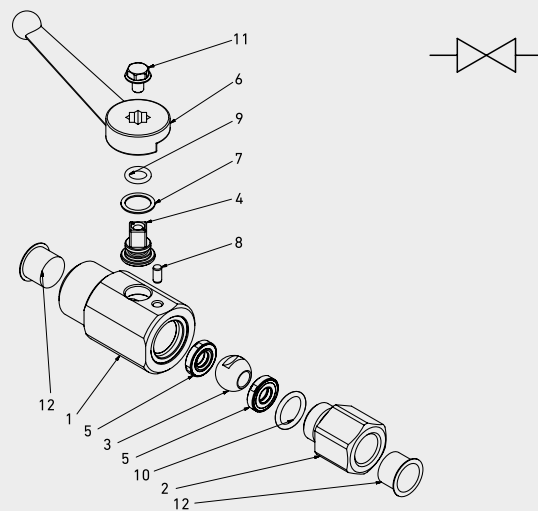
### CS Carbon Steel

- Type: ball valve 2 way
- Sizes: DN6
- Ends: BSP-NPT-SAE
- Pressure: up to PN500
- Temp range: from -20°C to +100°C
- Treatment: Galvanized

### SS Stainless Steel

- Type: ball valve 2 way
- Sizes: DN6
- Ends: BSP-NPT-SAE
- Pressure: up to PN500
- Temp range: from -30°C to +100°C

### STANDARD COMPOSITION OF VALVE



POS	DESCRIPTION	Q.TY	CS	SS
			Carbon Steel	Stainless Steel
			MATERIAL	
1	Body	1	1,0737	1,4305
2	Adapter	1	1,0737	1,4305
3	Ball	1	1,0737	1,4404
4	Stem	1	1,0737	1,4305
5	Ball seat	2	POM	POM
6	Handle	1	ZINC	ZINC
7	Stem ring	1	POM	POM
8	Pin	1	1,0737	1,4404
9	Stem o-ring	1	NBR	NBR
10	Adapter o-ring	2	NBR	NBR
11	Screw	1	DIN 6921 8.8	DIN 6921 A4
12	Caps	2	PVC	PVC





**CODE DESCRIPTION STRUCTURE**

GEM	G 1/4	DN6	1	1	1	1	A	B
-----	-------	-----	---	---	---	---	---	---

**Type and way of valve**

GEM 2-way

**Ends**

GAS DIN/ ISO 228	NPT ANSI /ASME B1.20.1	SAE J1926-1
BSP	B1.20.1	
G 1/4	N 1/4	SAE4

**Size**

DN6

**Body Material**

- 1 = 1,0737
- 3 = 1,4305

**Adapter material**

- 1 = 1,0737
- 3 = 1,4305

**Stem material**

- 1 = 1,0737 3 = 1,4305\*
- 3 = 1,4305

**Ball Material**

- 4 = 1,4404
- 4 = 1,4404

**Seat material**

A = POM D = PEEK\* G = PA612\* C = PTFE\*

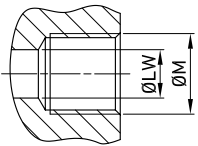
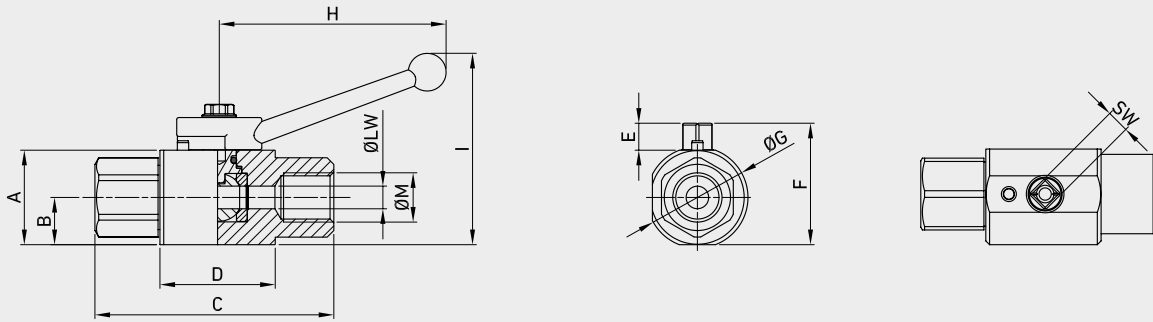
**Seal material**

B = NBR E = FKM\* F = EPDM\* L = MVQ\*

\*On request

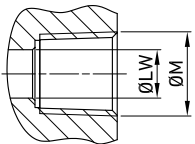
- Reduced bore
- Special threads
- Pressure class up to PN50 Mpa
- Locking device

For further special requests please consult our technical/commercial service.



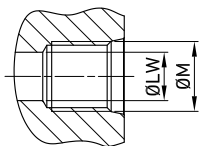
**GEM DIN/ISO 228 BSP**

TYPE	DN	PN		A	B	C	D	E	F	ØG	H	I	ØM	SW	ØLW	WEIGHT	CS	SS		
		MPa	psi														Carbon Steel	Stainless Steel		
																	ITEM CODE			
GEM G 1/4	6	MPa	50	mm	25	12,5	63	31,5	7	32,5	26,8	60	51	G 1/4	6	6	kg	0,195	G12GGT15011A000	G12GGT15033A000
		Psi	7250	inch	0,98	0,49	2,48	1,24	0,28	1,28	1,06	2,36	2,01		0,24	0,24	lb	0,43		



**GEM ANSI/ASME B1.20.1 NPT**

TYPE	DN	PN		A	B	C	D	E	F	ØG	H	I	ØM	SW	ØLW	WEIGHT	CS	SS		
		MPa	psi														Carbon Steel	Stainless Steel		
																	ITEM CODE			
GEM N 1/4	6	MPa	50	mm	25	12,5	63	31,5	7	32,5	26,8	60	51	N 1/4	6	6	kg	0,195	G12NNT15011A000	G12NNT15033A000
		Psi	7250	inch	0,98	0,49	2,48	1,24	0,28	1,28	1,06	2,36	2,01		0,24	0,24	lb	0,43		



**GEM SAE J1926-1**

TYPE	DN	PN		A	B	C	D	E	F	ØG	H	I	ØM	SW	ØLW	WEIGHT	CS	SS		
																	Carbon Steel	Stainless Steel		
																	ITEM CODE			
GEM SAE4	6	MPa	50	mm	25	12,5	63	31,5	7	32,5	26,8	60	51	7/16-	6	6	kg	0,195	G12EEE05011A000	G12EEE05033A000
		Psi	7250	inch	0,98	0,49	2,48	1,24	0,28	1,28	1,06	2,36	2,01	20 UNF	0,24	0,24	lb	0,43		



# GE1

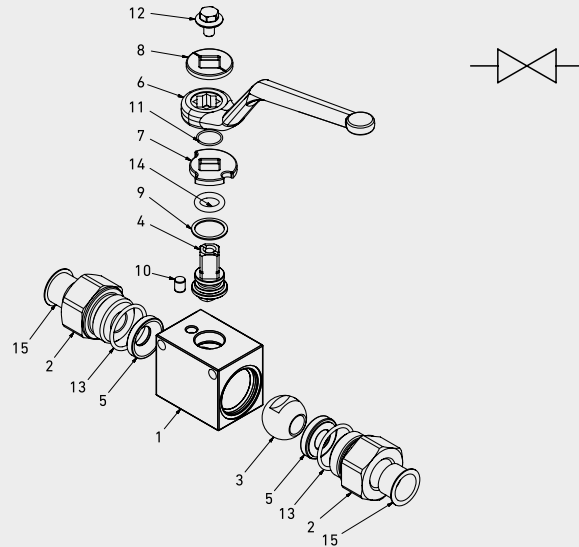
## 2-WAY HIGH PRESSURE BALL VALVES

Edition. 21.1

### CS Carbon Steel

- Type: ball valve 2 way
- Sizes: from DN6 up to DN13
- Ends: BSP-NPT-SAE
- Pressure: up to PN500
- Temp range: from -20°C to +100°C
- Treatment: Galvanized

### STANDARD COMPOSITION OF VALVE



POS	DESCRIPTION	Q.TY	CS Carbon Steel MATERIAL
1	Body	1	1,0737
2	Adapter	2	1,0737
3	Ball	1	1,0737
4	Stem	1	1,0737
5	Ball seat	2	POM
6	Handle	1	ZINC
7	Washer	1	1,0116
8	Washer	1	1,0116
9	Stem ring	1	POM
10	Pin	1	1,0737
11	Seeger	1	1,4404
12	Adapter o-ring	2	NBR
13	Stem o-ring	1	NBR
14	Screw	1	Din 6921 8.8
15	Caps	2	PVC



SMALLER DESIGN

## CODE DESCRIPTION STRUCTURE

**GE1 G 1/4 DN6 1 1 1 1 A B**

**Type and way of valve**

GE1 2-way

**Ends**

<b>GAS DIN/</b>	<b>NPT ANSI</b>	<b>SAE</b>
<b>ISO 228</b>	<b>/ASME</b>	<b>J1926-1</b>
<b>BSP</b>	<b>B1.20.1</b>	

G 1/4	N 1/4	SAE4
G 3/8	N 3/8	SAE6
G 1/2	N 1/2	SAE8

**Size**

from DN6 to DN13

**Body Material**

● 1 = 1,0737

**Adapter material**

● 1 = 1,0737

**Stem material**

● 1 = 1,0737 4 = 1,4404\*

**Ball Material**

● 1 = 1,0737 4 = 1,4404\*

**Seat material**

A = POM

**Seal material**

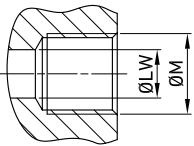
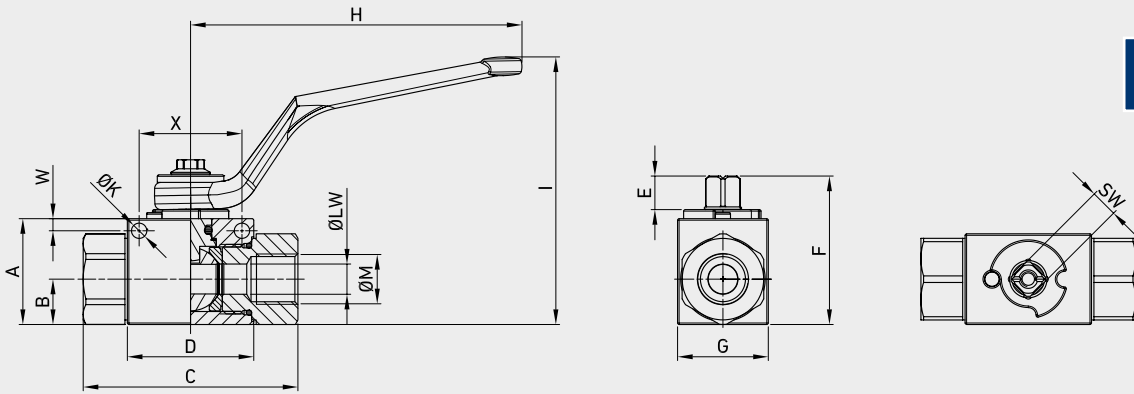
B = NBR

**\*On request**

- Reduced bore
- Special threads
- Pressure class up to PN50 MPa
- Pneumatic and electrical actuator
- Security block
- Locking device

*For further special requests please consult our technical/commercial service.*

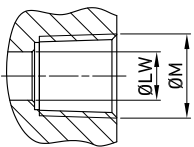
SMALLER DESIGN



GE1 DIN/ISO 228 BSP

CS  
Carbon Steel  
ITEM CODE  
FIXING HOLES INCLUDED

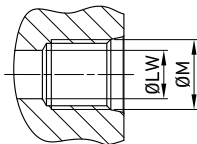
TYPE	DN	PN	A	B	C	D	E	F	G	H	I	ØM	ØK	W	X	SW	ØLW	WEIGHT
GE1 G 1/4	6	MPa 50	mm 33	14,3	69	40,4	11,1	47,25	26	110	87	G 1/4	5,10	4	34	9	6	kg 0,378
		Psi 7250	inch 1,30	0,56	2,72	1,59	0,44	1,86	1,02	4,33	3,43		0,20	0,16	1,34	0,35	0,24	lb 0,83
GE1 G 3/8	10	MPa 50	mm 35	15	71	41,8	11,1	49,25	30	110	89	G 3/8	5,1	4	34	9	10	kg 0,467
		Psi 7250	inch 1,38	0,59	2,80	1,65	0,44	1,94	1,18	4,33	3,50		0,20	0,16	1,34	0,35	0,39	lb 1,03
GE1 G 1/2	13	MPa 50	mm 40	18,3	83	44,4	11,1	54,25	35	110	94	G 1/2	5,1	4	36	9	13	kg 0,635
		Psi 7250	inch 1,57	0,72	3,27	1,75	0,44	2,14	1,38	4,33	3,70		0,20	0,16	1,42	0,35	0,51	lb 1,40



GE1 ANSI/ASME B1.20.1 NPT

CS  
Carbon Steel  
ITEM CODE  
FIXING HOLES INCLUDED

TYPE	DN	PN	A	B	C	D	E	F	G	H	I	ØM	ØK	W	X	SW	ØLW	WEIGHT
GE1 N 1/4	6	MPa 50	mm 33	14,3	69	40,4	11,1	47,25	26	110	87	N 1/4	5,10	4	34	9	6	kg 0,378
		Psi 7250	inch 1,30	0,56	2,72	1,59	0,44	1,86	1,02	4,33	3,43		0,20	0,16	1,34	0,35	0,24	lb 0,83
GE1 N 3/8	10	MPa 50	mm 35	15	71	41,8	11,1	49,25	30	110	89	N 3/8	5,1	4	34	9	10	kg 0,467
		Psi 7250	inch 1,38	0,59	2,80	1,65	0,44	1,94	1,18	4,33	3,50		0,20	0,16	1,34	0,35	0,39	lb 1,03
GE1 N 1/2	13	MPa 50	mm 40	18,3	83	44,4	11,1	54,25	35	110	94	N 1/2	5,1	4	36	9	13	kg 0,635
		Psi 7250	inch 1,57	0,72	3,27	1,75	0,44	2,14	1,38	4,33	3,70		0,20	0,16	1,42	0,35	0,51	lb 1,40


**GE1 SAE J1926-1**

																				CS			
																				Carbon Steel			
TYPE	DN	PN		A	B	C	D	E	F	G	H	I	ØM	ØK	W	X	SW	ØLW	WEIGHT	ITEM CODE			
GE1 SAE4	6	MPa	50	mm	33	14,3	69	40,4	11,1	47,25	26	110	87	7/16	5,10	4	34	9	6	kg 0,378	GE1EEE05011A000		
		Psi	7250	inch	1,30	0,56	2,72	1,59	0,44	1,86	1,02	4,33	3,43	UNF	0,20	0,16	1,34	0,35	0,24	lb 0,83			
GE1 SAE6	10	MPa	50	mm	35	15	71	41,8	11,1	49,25	30	110	89	9/16	5,1	4	34	9	10	kg 0,467	GE1EEE15011A000		
		Psi	7250	inch	1,38	0,59	2,80	1,65	0,44	1,94	1,18	4,33	3,50	UNF	0,20	0,16	1,34	0,35	0,39	lb 1,03			
GE1 SAE8	13	MPa	50	mm	40	18,3	83	44,4	11,1	54,25	35	110	94	3/4	5,1	4	36	9	13	kg 0,635	GE1EEE25011A000		
		Psi	7250	inch	1,57	0,72	3,27	1,75	0,44	2,14	1,38	4,33	3,70	UNF	0,20	0,16	1,42	0,35	0,51	lb 1,40			
																				FIXING HOLES INCLUDED			



# GE2

## 2-WAY HIGH PRESSURE BALL VALVES

Edition. 21.5

### CS Carbon Steel

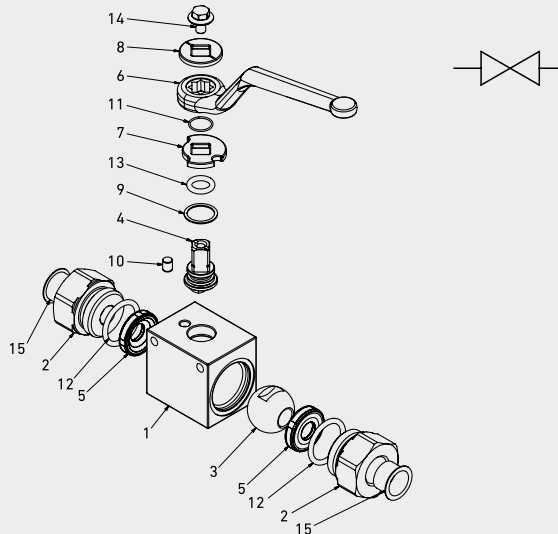
- Type: ball valve 2 way
- Sizes: from DN6 up to DN25
- Ends: BSP-NPT-SAE-DIN
- Pressure: up to PN500
- Temp range: from -20°C to +100°C
- Treatment: Galvanized

### SS Stainless Steel

- Type: ball valve 2 way
- Sizes: from DN6 up to DN25
- Ends: BSP-NPT-SAE-DIN
- Pressure: up to PN500
- Temp range: from -30°C to +100°C

DNV Certified

### STANDARD COMPOSITION OF VALVE



POS	DESCRIPTION	Q.TY	CS	SS
			Carbon Steel	Stainless Steel
			MATERIAL	
1	Body	1	1,0737	1,4404
2	Adapter	2	1,0737	1,4404
3	Ball	1	1,0737	1,4404
4	Stem	1	1,0737	1,4404
5	Ball seat	2	POM	POM
6	Handle	1	ZINC	ZINC
7	Washer	1	1,0116	1,4404
8	Washer	1	1,0116	1,4404
9	Stem ring	1	POM	POM
10	Pin	1	1,0737	1,4404
11	Seeger	1	1,4404	1,4404
12	Adapter o-ring	2	NBR	NBR
13	Stem o-ring	1	NBR	NBR
14	Screw	1	Din 6921 8.8	Din 6921 A4
15	Caps	2	PVC	PVC





**CODE DESCRIPTION STRUCTURE**

**GE2 G 1/2 DN13 1 1 1 1 A B**

**Type and way of valve**

GE2 2-way

**Ends**

GAS DIN/ ISO 228 BSP	NPT ANSI /ASME B1.20.1	SAE J1926-1	DIN 2353 HEAVY SERIES	DIN 2353 LIGHT SERIES
G 1/4	N 1/4	SAE4	8S	6L
G 3/8	N 3/8	SAE6	10S	8L
G 1/2	N 1/2	SAE8	12S	10L
G 3/4	N 3/4	SAE12	14S	12L
G 1	N 1	SAE16	16S	15L
G 1 1/4 R	N 1 1/4 R	SAE20R	20S	18L
G 1 1/2 R	N 1 1/2 R	SAE24R	25S	22L
			30S	28L
			38S	35L
				42L

**Size**

from DN6 to DN25

**Body Material**

- 1 = 1,0737
- 4 = 1,4404

**Adapter material**

- 1 = 1,0737
- 4 = 1,4404

**Stem material**

- 1 = 1,0737 4 = 1,4404\*
- 4 = 1,4404

**Ball Material**

- 1 = 1,0737 4 = 1,4404\*
- 4 = 1,4404

**Seat material**

A = POM D = PEEK\* G = PA612\* K = GEMPTFE\* C = PTFE\*

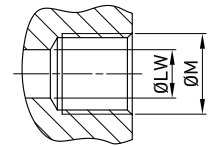
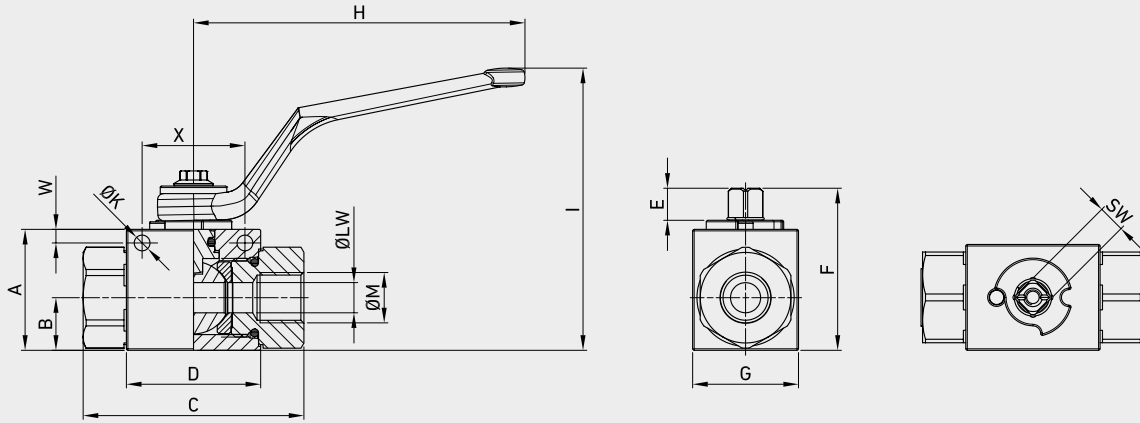
**Seal material**

B = NBR E = FKM\* F = EPDM\* L = MVQ\*

**\*On request**

- Reduced bore
- Special threads
- Pressure class up to PN50 MPa
- Pneumatic and electrical actuator
- Security block
- Locking device
- Fixing holes for SS valves

For further special requests please consult our technical/commercial service.

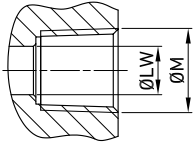


GE2 DIN/ISO 228 BSP

TYPE	DN	PN	A	B	C	D	E	F	G	H	I	ØM	ØK*	W*	X*	SW	ØLW	WEIGHT	CS	SS			
																			Carbon Steel	Stainless Steel			
																				ITEM CODE			
GE2 G 1/4	6	MPa	50	mm	35	14,5	71	42,4	11	49	30	110	87	G 1/4	5,25	4,5	34	9	6	kg	0,49	GE2GGT15011A000	GE2GGT15044A000
		Psi	7250	inch	1,38	0,57	2,80	1,67	0,43	1,93	1,18	4,33	3,43		0,21	0,18	1,34	0,35	0,24	lb	1,08		
GE2 G 3/8	10	MPa	50	mm	40	17,4	73	44,4	11	54,25	35	110	93	G 3/8	5,25	4,5	34	9	10	kg	0,644	GE2GGT25011A000	GE2GGT25044A000
		Psi	7250	inch	1,57	0,69	2,87	1,75	0,43	2,14	1,38	4,33	3,66		0,21	0,18	1,34	0,35	0,39	lb	1,42		
GE2 G 1/2	13	MPa	50	mm	43	19,7	83	48,4	11	57	37	110	97	G 1/2	5,25	5	36	9	13	kg	0,757	GE2GGT35011A000	GE2GGT35044A000
		Psi	7250	inch	1,69	0,78	3,27	1,91	0,43	2,24	1,46	4,33	3,82		0,21	0,20	1,42	0,35	0,51	lb	1,67		
GE2 G 3/4	20	MPa	42	mm	57	25,4	95	62,5	14	75,5	49	180	105	G 3/4	6,25	6	50	14	20	kg	1,438	GE2GGT44011A000	GE2GGT44044A000
		Psi	6090	inch	2,24	1,00	3,74	2,46	0,55	2,97	1,93	7,09	4,13		0,25	0,24	1,97	0,55	0,79	lb	3,17		
GE2 G 1	25	MPa	42	mm	65	29,5	112	66,5	14	83,5	55	180	113	G 1	6,25	6	50	14	25	kg	2,223	GE2GGT53011A000	GE2GGT53044A000
		Psi	6090	inch	2,56	1,16	4,41	2,62	0,55	3,29	2,17	7,09	4,45		0,25	0,24	1,97	0,55	0,98	lb	4,90		
GE2 G 1 1/4 R	25	MPa	35	mm	65	29,5	120	66,5	14	83,5	55	180	113	G 1 1/4	6,25	6	50	14	25	kg	2,273	GE2GGR63011A000	GE2GGR63044A000
		Psi	5075	inch	2,56	1,16	4,72	2,62	0,55	3,29	2,17	7,09	4,45		0,25	0,24	1,97	0,55	0,98	lb	5,01		
GE2 G 1 1/2 R	25	MPa	35	mm	65	29,5	124	66,5	14	83,5	55	180	113	G 1 1/2	6,25	6	50	14	25	kg	2,386	GE2GGR73011A000	GE2GGR73044A000
		Psi	5075	inch	2,56	1,16	4,88	2,62	0,55	3,29	2,17	7,09	4,45		0,25	0,24	1,97	0,55	0,98	lb	5,26		

Size only for carbon steel valves with fixing holes included.

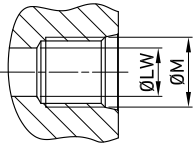
FIXING HOLES INCLUDED


**GE2 ANSI/ASME B1.20.1 NPT**

TYPE	DN	PN	A	B	C	D	E	F	G	H	I	ØM	ØK*	W*	X*	SW	ØLW	WEIGHT	CS	SS	
																			Carbon Steel	Stainless Steel	
																				ITEM CODE	
GE2 N 1/4	6	MPa 50	mm 35	14,5	71	42,4	11	49	30	110	87	N 1/4	5,25	4,5	34	9	6	kg 0,49	GE2NNT15011A000	GE2NNT15044A000	
		Psi 7250	inch 1,38	0,57	2,80	1,67	0,43	1,93	1,18	4,33	3,43		0,21	0,18	1,34	0,35	0,24	lb 1,08			
GE2 N 3/8	10	MPa 50	mm 40	17,4	73	44,4	11	54,25	35	110	93	N 3/8	5,25	4,5	34	9	10	kg 0,644	GE2NNT25011A000	GE2NNT25044A000	
		Psi 7250	inch 1,57	0,69	2,87	1,75	0,43	2,14	1,38	4,33	3,66		0,21	0,18	1,34	0,35	0,39	lb 1,42			
GE2 N 1/2	13	MPa 50	mm 43	19,7	83	48,4	11	57	37	110	97	N 1/2	5,25	5	36	9	13	kg 0,757	GE2NNT35011A000	GE2NNT35044A000	
		Psi 7250	inch 1,69	0,78	3,27	1,91	0,43	2,24	1,46	4,33	3,82		0,21	0,20	1,42	0,35	0,51	lb 1,67			
GE2 N 3/4	20	MPa 42	mm 57	25,4	95	62,5	14	75,5	49	180	105	N 3/4	6,25	6	50	14	20	kg 1,438	GE2NNT44011A000	GE2NNT44044A000	
		Psi 6090	inch 2,24	1,00	3,74	2,46	0,55	2,97	1,93	7,09	4,13		0,25	0,24	1,97	0,55	0,79	lb 3,17			
GE2 N 1	25	MPa 42	mm 65	29,5	112	66,5	14	83,5	55	180	113	N 1	6,25	6	50	14	25	kg 2,223	GE2NNT53011A000	GE2NNT53044A000	
		Psi 6090	inch 2,56	1,16	4,41	2,62	0,55	3,29	2,17	7,09	4,45		0,25	0,24	1,97	0,55	0,98	lb 4,90			
GE2 N 1 1/4 R	25	MPa 35	mm 65	29,5	120	66,5	14	83,5	55	180	113	N 1	6,25	6	50	14	25	kg 2,273	GE2NNR63011A000	GE2NNR63044A000	
		Psi 5075	inch 2,56	1,16	4,72	2,62	0,55	3,29	2,17	7,09	4,45	1/4	0,25	0,24	1,97	0,55	0,98	lb 5,01			
GE2 N 1 1/2 R	25	MPa 35	mm 65	29,5	124	66,5	14	83,5	55	180	113	N 1	6,25	6	50	14	25	kg 2,386	GE2NNR73011A000	GE2NNR73044A000	
		Psi 5075	inch 2,56	1,16	4,88	2,62	0,55	3,29	2,17	7,09	4,45	1/2	0,25	0,24	1,97	0,55	0,98	lb 5,26			

Size only for carbon steel valves with fixing holes included.

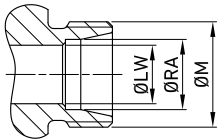
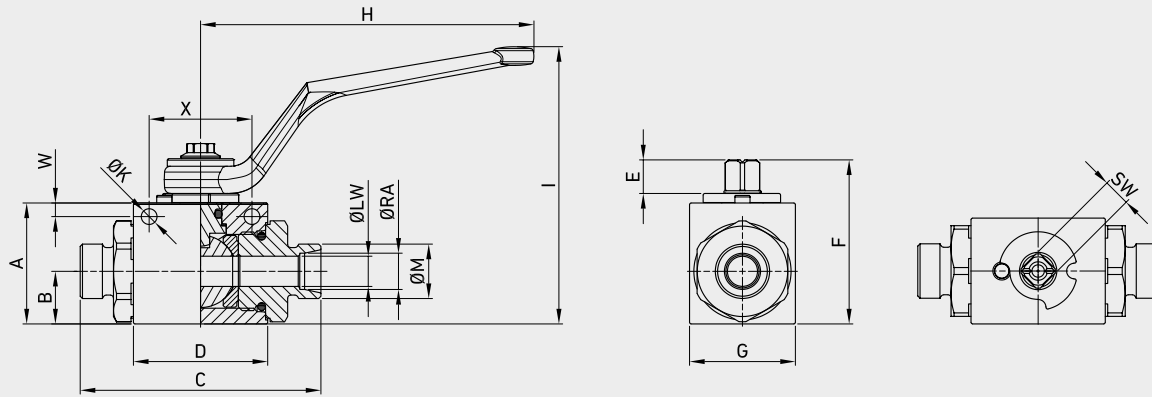
FIXING HOLES INCLUDED


**GE2 SAE J1926-1**

TYPE	DN	PN	A	B	C	D	E	F	G	H	I	ØM	ØK*	W*	X*	SW	ØLW	WEIGHT	CS	SS	
																			Carbon Steel	Stainless Steel	
																				ITEM CODE	
GE2 SAE4	6	MPa 50	mm 35	14,5	71	42,4	11,1	49	30	110	87	7/16	5,25	4,5	34	9	6	kg 0,512	GE2EEE05011A000	GE2EEE05044A000	
		Psi 7250	inch 1,38	0,57	2,80	1,67	0,44	1,93	1,18	4,33	3,43	UNF	0,21	0,18	1,34	0,35	0,24	lb 1,13			
GE2 SAE6	10	MPa 50	mm 40	17,5	73	44,4	11,1	54,25	35	110	93	9/16	5,25	4,5	34	9	10	kg 0,5	GE2EEE15011A000	GE2EEE15044A000	
		Psi 7250	inch 1,57	0,69	2,87	1,75	0,44	2,14	1,38	4,33	3,66	UNF	0,21	0,18	1,34	0,35	0,39	lb 1,10			
GE2 SAE8	13	MPa 50	mm 43	19,7	83	48,4	11,1	57,25	37	110	97	3/4	5,25	5	36	9	13	kg 0,779	GE2EEE25011A000	GE2EEE25044A000	
		Psi 7250	inch 1,69	0,78	3,27	1,91	0,44	2,25	1,46	4,33	3,82	UNF	0,21	0,20	1,42	0,35	0,51	lb 1,72			
GE2 SAE12	20	MPa 42	mm 57	25,4	95	62,5	14,35	75,5	49	180	105	1 1/16	6,25	6	50	14	20	kg 1,441	GE2EEE34011A000	GE2EEE34044A000	
		Psi 6090	inch 2,24	1,00	3,74	2,46	0,56	2,97	1,93	7,09	4,13	UNF	0,25	0,24	1,97	0,55	0,79	lb 3,18			
GE2 SAE16	25	MPa 42	mm 65	29,5	112,4	66,5	14,35	83,5	55	180	113	1 5/16	6,25	6	50	14	25	kg 2,335	GE2EEE43011A000	GE2EEE43044A000	
		Psi 6090	inch 2,56	1,16	4,43	2,62	0,56	3,29	2,17	7,09	4,45	UNF	0,25	0,24	1,97	0,55	0,98	lb 5,15			
GE2 SAE20R	25	MPa 35	mm 65	29,5	120,4	66,5	14,35	83,5	55	180	113	1 5/8	6,25	6	50	14	25	kg 2,307	GE2EEE53011A000	GE2EEE53044A000	
		Psi 5075	inch 2,56	1,16	4,74	2,62	0,56	3,29	2,17	7,09	4,45	UNF	0,25	0,24	1,97	0,55	0,98	lb 5,09			
GE2 SAE24R	25	MPa 35	mm 65	29,5	124,4	66,5	14,35	83,5	55	180	113	1 7/8	6,25	6	50	14	25	kg 2,399	GE2EEE63011A000	GE2EEE63044A000	
		Psi 5075	inch 2,56	1,16	4,90	2,62	0,56	3,29	2,17	7,09	4,45	UNF	0,25	0,24	1,97	0,55	0,98	lb 5,29			

Size only for carbon steel valves with fixing holes included.

FIXING HOLES INCLUDED

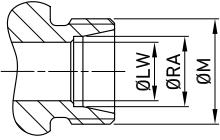


GE2 DIN 2353 HEAVY SERIES

TYPE	DN	PN	A	B	C	D	E	F	G	H	I	ØM	ØK*	W*	X*	SW	ØLW	ØRA	WEIGHT	<div style="display: flex; justify-content: space-around; align-items: center;"> <span style="border: 1px solid black; border-radius: 50%; padding: 2px;">CS</span> <span style="border: 1px solid black; border-radius: 50%; padding: 2px;">SS</span> </div>		
																				Carbon Steel	Stainless Steel	
																					ITEM CODE	
GE2 8S	6	MPa 50	mm 35	14,5	76	42,4	11,1	49,25	30	110	87	M16x1,5	5,25	4,5	34	9	4	8	kg 0,501	GE2DDS05011A000	GE2DDS05044A000	
		Psi 7250	inch 1,38	0,57	2,99	1,67	0,44	1,94	1,18	4,33	3,43		0,21	0,18	1,34	0,35	0,16	0,31	lb 1,10			
GE2 10S	6	MPa 50	mm 35	14,5	76	42,4	11,1	49,25	30	110	87	M18x1,5	5,25	4,5	34	9	6	10	kg 0,501	GE2DDS15011A000	GE2DDS15044A000	
		Psi 7250	inch 1,38	0,57	2,99	1,67	0,44	1,94	1,18	4,33	3,43		0,21	0,18	1,34	0,35	0,24	0,39	lb 1,10			
GE2 12S	8	MPa 50	mm 35	14,5	76	42,4	11	49,25	30	110	87	M20x1,5	5,25	4,5	34	9	8	12	kg 0,501	GE2DRS5011A000	GE2DRS5044A000	
		Psi 7250	inch 1,38	0,57	2,99	1,67	0,43	1,94	1,18	4,33	3,43		0,21	0,18	1,34	0,35	0,31	0,47	lb 1,10			
GE2 12S	10	MPa 50	mm 40	17,4	76	44,4	11	54,25	35	110	93	M20x1,5	5,25	4,5	34	9	10	12	kg 0,599	GE2DDS25011A000	GE2DDS25044A000	
		Psi 7250	inch 1,57	0,69	2,99	1,75	0,43	2,14	1,38	4,33	3,66		0,21	0,18	1,34	0,35	0,39	0,47	lb 1,32			
GE2 14S	10	MPa 50	mm 40	17,4	82,5	44,4	11	54,25	35	110	93	M22x1,5	5,25	4,5	34	9	10	14	kg 0,629	GE2DDS35011A000	GE2DDS35044A000	
		Psi 7250	inch 1,57	0,69	3,25	1,75	0,43	2,14	1,38	4,33	3,66		0,21	0,18	1,34	0,35	0,39	0,55	lb 1,39			
GE2 16S	13	MPa 50	mm 43	19,7	89	48,4	11	57	37	110	97	M24x1,5	5,25	5	36	9	13	16	kg 0,67	GE2DDS45011A000	GE2DDS45044A000	
		Psi 7250	inch 1,69	0,78	3,50	1,91	0,43	2,24	1,46	4,33	3,82		0,21	0,20	1,42	0,35	0,51	0,63	lb 1,48			
GE2 20S	13	MPa 50	mm 43	19,7	93	48,4	11	57	37	110	97	M30x2	5,25	5	36	9	13	20	kg 0,786	GE2DDS55011A000	GE2DDS55044A000	
		Psi 7250	inch 1,69	0,78	3,66	1,91	0,43	2,24	1,46	4,33	3,82		0,21	0,20	1,42	0,35	0,51	0,79	lb 1,73			
GE2 25S	20	MPa 42	mm 57	25,4	111	62,5	14	75,5	49	180	105	M36x2	6,25	6	50	14	20	25	kg 1,485	GE2DDS64011A000	GE2DDS64044A000	
		Psi 6090	inch 2,24	1,00	4,37	2,46	0,55	2,97	1,93	7,09	4,13		0,25	0,24	1,97	0,55	0,79	0,98	lb 3,27			
GE2 30S	25	MPa 35	mm 65	29,5	121	66,5	14	83,5	55	180	113	M42x2	6,25	6	50	14	25	30	kg 2,145	GE2DDS73011A000	GE2DDS73044A000	
		Psi 5075	inch 2,56	1,16	4,76	2,62	0,55	3,29	2,17	7,09	4,45		0,25	0,24	1,97	0,55	0,98	1,18	lb 4,73			
GE2 38S	25	MPa 35	mm 65	29,5	131	66,5	14	83,5	55	180	113	M52x2	6,25	6	50	14	25	38	kg 2,373	GE2DDS83011A000	GE2DDS83044A000	
		Psi 5075	inch 2,56	1,16	5,16	2,62	0,55	3,29	2,17	7,09	4,45		0,25	0,24	1,97	0,55	0,98	1,50	lb 5,23			

Size only for carbon steel valves with fixing holes included.

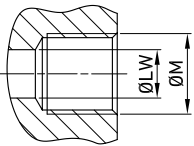
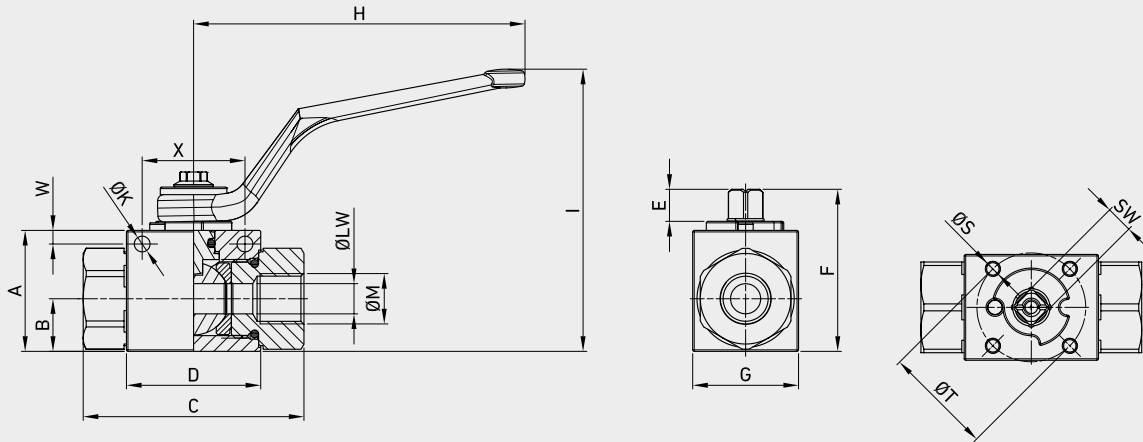
FIXING HOLES INCLUDED


**GE2 DIN 2353 LIGHT SERIES**

TYPE	DN	PN	A	B	C	D	E	F	G	H	I	ØM	ØK*	W*	X*	SW	ØLW	ØRA	WEIGHT	CS	SS	
																				Carbon Steel	Stainless Steel	
																					ITEM CODE	
GE2 6L	6	MPa 50	mm	35	14,5	76	42,4	11	49	30	110	87	M12x1,5	5,25	4,5	34	9	6	6	kg 0,475	GE2DDL05011A000	GE2DDL05044A000
		Psi 7250	inch	1,38	0,57	2,99	1,67	0,43	1,93	1,18	4,33	3,43		0,21	0,18	1,34	0,35	0,24	0,24	lb 1,05		
GE2 8L	6	MPa 50	mm	35	14,5	76	42,4	11	49	30	110	87	M14x1,5	5,25	4,5	34	9	6	8	kg 0,477	GE2DDL15011A000	GE2DDL15044A000
		Psi 7250	inch	1,38	0,57	2,99	1,67	0,43	1,93	1,18	4,33	3,43		0,21	0,18	1,34	0,35	0,24	0,31	lb 1,05		
GE2 10L	6	MPa 50	mm	35	14,5	76	42,4	11	49	30	110	87	M16x1,5	5,25	4,5	34	9	6	10	kg 0,475	GE2DRL5011A000	GE2DRL5044A000
		Psi 7250	inch	1,38	0,57	2,99	1,67	0,43	1,93	1,18	4,33	3,43		0,21	0,18	1,34	0,35	0,24	0,39	lb 1,05		
GE2 10L	10	MPa 50	mm	40	17,4	76,5	44,4	11	54,25	35	110	93	M16x1,5	5,25	4,5	34	9	8	10	kg 0,597	GE2DDL25011A000	GE2DDL25044A000
		Psi 7250	inch	1,57	0,69	3,01	1,75	0,43	2,14	1,38	4,33	3,66		0,21	0,18	1,34	0,35	0,31	0,39	lb 1,32		
GE2 12L	10	MPa 50	mm	40	17,4	79,5	44,4	11	54,25	35	110	93	M18x1,5	5,25	4,5	34	9	10	12	kg 0,616	GE2DDL35011A000	GE2DDL35044A000
		Psi 7250	inch	1,57	0,69	3,13	1,75	0,43	2,14	1,38	4,33	3,66		0,21	0,18	1,34	0,35	0,39	0,47	lb 1,36		
GE2 15L	13	MPa 50	mm	43	19,7	87	48,4	11	57	37	110	97	M22x1,5	5,25	5	36	9	13	15	kg 0,731	GE2DDL45011A000	GE2DDL45044A000
		Psi 7250	inch	1,69	0,78	3,43	1,91	0,43	2,24	1,46	4,33	3,82		0,21	0,20	1,42	0,35	0,51	0,59	lb 1,61		
GE2 18L	13	MPa 50	mm	43	19,7	87	48,4	11	57	37	110	97	M26x1,5	5,25	5	36	9	13	18	kg 0,748	GE2DDL55011A000	GE2DDL55044A000
		Psi 7250	inch	1,69	0,78	3,43	1,91	0,43	2,24	1,46	4,33	3,82		0,21	0,20	1,42	0,35	0,51	0,71	lb 1,65		
GE2 22L	20	MPa 42	mm	57	25,4	110	62,5	14	75,5	49	180	105	M30x2	6,25	6	50	14	20	22	kg 1,463	GE2DDL64011A000	GE2DDL64044A000
		Psi 6090	inch	2,24	1,00	4,33	2,46	0,55	2,97	1,93	7,09	4,13		0,25	0,24	1,97	0,55	0,79	0,87	lb 3,23		
GE2 28L	25	MPa 35	mm	65	29,5	117	66,5	14	83,5	55	180	113	M36x2	6,25	6	50	14	25	28	kg 2,131	GE2DDL73011A000	GE2DDL73044A000
		Psi 5075	inch	2,56	1,16	4,61	2,62	0,55	3,29	2,17	7,09	4,45		0,25	0,24	1,97	0,55	0,98	1,10	lb 4,70		
GE2 35L	25	MPa 35	mm	65	29,5	119	66,5	14	83,5	55	180	113	M45x2	6,25	6	50	14	25	35	kg 2,163	GE2DDL83011A000	GE2DDL83044A000
		Psi 5075	inch	2,56	1,16	4,69	2,62	0,55	3,29	2,17	7,09	4,45		0,25	0,24	1,97	0,55	0,98	1,38	lb 4,77		
GE2 42L	25	MPa 35	mm	65	29,5	119	66,5	14	83,5	55	180	113	M52x2	6,25	6	50	14	25	42	kg 2,256	GE2DDL93011A000	GE2DDL93044A000
		Psi 5075	inch	2,56	1,16	4,69	2,62	0,55	3,29	2,17	7,09	4,45		0,25	0,24	1,97	0,55	0,98	1,65	lb 4,97		

Size only for carbon steel valves with fixing holes included.

**FIXING HOLES INCLUDED**



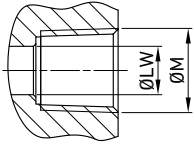
GE2 DIN/ISO 228 BSP

Assembling threads per ISO5211

TYPE	DN	PN	A	B	C	D	E	F	G	H	I	ØM	ØS	ØT	ØK*	W*	X*	ISO5211	SW	ØLW	WEIGHT	ITEM CODE	
																						CS	SS
GE2 G 1/4	6	MPa 50	mm 35 14,5 71 42,4 11 49 30 110 87	G	M4	35 5,25 4,5 34	F03	9 6	kg 0,49	GE2GGT15011AF50	GE2GGT15044AF50												
		Psi 7250	inch 1,38 0,57 2,80 1,67 0,43 1,93 1,18 4,33 3,43	1/4	M4	1,38 0,21 0,18 1,34	F03	0,35 0,24	lb 1,08														
GE2 G 3/8	10	MPa 50	mm 40 17,4 73 44,4 11 54,25 35 110 93	G	M5	36 5,25 4,5 34	F03	9 10	kg 0,644	GE2GGT25011AF50	GE2GGT25044AF50												
		Psi 7250	inch 1,57 0,69 2,87 1,75 0,43 2,14 1,38 4,33 3,66	3/8	M5	1,42 0,21 0,18 1,34	F03	0,35 0,39	lb 1,42														
GE2 G 1/2	13	MPa 50	mm 43 19,7 83 48,4 11 57 37 110 97	G	M5	36 5,25 5 36	F03	9 13	kg 0,757	GE2GGT35011AF50	GE2GGT35044AF50												
		Psi 7250	inch 1,69 0,78 3,27 1,91 0,43 2,24 1,46 4,33 3,82	1/2	M5	1,42 0,21 0,20 1,42	F03	0,35 0,51	lb 1,67														
GE2 G 3/4	20	MPa 42	mm 57 25,4 95 62,5 14 75,5 49 180 105	G	M6	50 6,25 6 50	F05	14 20	kg 1,438	GE2GGT44011AF50	GE2GGT44044AF50												
		Psi 6090	inch 2,24 1,00 3,74 2,46 0,55 2,97 1,93 7,09 4,13	3/4	M6	1,97 0,25 0,24 1,97	F05	0,55 0,79	lb 3,17														
GE2 G 1	25	MPa 42	mm 65 29,5 112 66,5 14 83,5 55 180 113	G 1	M6	50 6,25 6 50	F05	14 25	kg 2,223	GE2GGT53011AF50	GE2GGT53044AF50												
		Psi 6090	inch 2,56 1,16 4,41 2,62 0,55 3,29 2,17 7,09 4,45	1	M6	1,97 0,25 0,24 1,97	F05	0,55 0,98	lb 4,90														
GE2 G 1 1/4 R	25	MPa 35	mm 65 29,5 120 66,5 14 83,5 55 180 113	G 1	M6	50 6,25 6 50	F05	14 25	kg 2,273	GE2GGR63011AF50	GE2GGR63044AF50												
		Psi 5075	inch 2,56 1,16 4,72 2,62 0,55 3,29 2,17 7,09 4,45	1/4	M6	1,97 0,25 0,24 1,97	F05	0,55 0,98	lb 5,01														
GE2 G 1 1/2 R	25	MPa 35	mm 65 29,5 124 66,5 14 83,5 55 180 113	G 1	M6	50 6,25 6 50	F05	14 25	kg 2,386	GE2GGR73011AF50	GE2GGR73044AF50												
		Psi 5075	inch 2,56 1,16 4,88 2,62 0,55 3,29 2,17 7,09 4,45	1/2	M6	1,97 0,25 0,24 1,97	F05	0,55 0,98	lb 5,26														

Size only for carbon steel valves with fixing holes included.

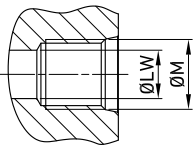
FIXING HOLES INCLUDED


**GE2 ANSI/ASME B1.20.1 NPT**

Assembling threads per ISO5211																				CS	SS		
																				Carbon Steel	Stainless Steel		
TYPE	DN	PN	A	B	C	D	E	F	G	H	I	ØM	ØS	ØT	ØK*	W*	X*	ISO5211	SW	ØLW	WEIGHT	ITEM CODE	
GE2 N 1/4	6	MPa 50	mm 35	14,5	71	42,4	11	49	30	110	87	N	M4	35	5,25	4,5	34	F03	9	6	kg 0,49	GE2NNT15011AF50	GE2NNT15044AF50
		Psi 7250	inch 1,38	0,57	2,80	1,67	0,43	1,93	1,18	4,33	3,43	1/4	M4	1,38	0,21	0,18	1,34		0,35	0,24	lb 1,08		
GE2 N 3/8	10	MPa 50	mm 40	17,4	73	44,4	11	54,25	35	110	93	N	M5	36	5,25	4,5	34	F03	9	10	kg 0,644	GE2NNT25011AF50	GE2NNT25044AF50
		Psi 7250	inch 1,57	0,69	2,87	1,75	0,43	2,14	1,38	4,33	3,66	3/8	M5	1,42	0,21	0,18	1,34		0,35	0,39	lb 1,42		
GE2 N 1/2	13	MPa 50	mm 43	19,7	83	48,4	11	57	37	110	97	N	M5	36	5,25	5	36	F03	9	13	kg 0,757	GE2NNT35011AF50	GE2NNT35044AF50
		Psi 7250	inch 1,69	0,78	3,27	1,91	0,43	2,24	1,46	4,33	3,82	1/2	M5	1,42	0,21	0,20	1,42		0,35	0,51	lb 1,67		
GE2 N 3/4	20	MPa 42	mm 57	25,4	95	62,5	14	75,5	49	180	105	N	M6	50	6,25	6	50	F05	14	20	kg 1,438	GE2NNT44011AF50	GE2NNT44044AF50
		Psi 6090	inch 2,24	1,00	3,74	2,46	0,55	2,97	1,93	7,09	4,13	3/4	M6	1,97	0,25	0,24	1,97		0,55	0,79	lb 3,17		
GE2 N 1	25	MPa 42	mm 65	29,5	112	66,5	14	83,5	55	180	113	N1	M6	50	6,25	6	50	F05	14	25	kg 2,223	GE2NNT53011AF50	GE2NNT53044AF50
		Psi 6090	inch 2,56	1,16	4,41	2,62	0,55	3,29	2,17	7,09	4,45	1/4	M6	1,97	0,25	0,24	1,97		0,55	0,98	lb 4,90		
GE2 N 1 1/4 R	25	MPa 35	mm 65	29,5	120	66,5	14	83,5	55	180	113	N1	M6	50	6,25	6	50	F05	14	25	kg 2,273	GE2NNR63011AF50	GE2NNR63044AF50
		Psi 5075	inch 2,56	1,16	4,72	2,62	0,55	3,29	2,17	7,09	4,45	1/4	M6	1,97	0,25	0,24	1,97		0,55	0,98	lb 5,01		
GE2 N 1 1/2 R	25	MPa 35	mm 65	29,5	124	66,5	14	83,5	55	180	113	N1	M6	50	6,25	6	50	F05	14	25	kg 2,386	GE2NNR73011AF50	GE2NNR73044AF50
		Psi 5075	inch 2,56	1,16	4,88	2,62	0,55	3,29	2,17	7,09	4,45	1/2	M6	1,97	0,25	0,24	1,97		0,55	0,98	lb 5,26		

Size only for carbon steel valves with fixing holes included.

FIXING HOLES INCLUDED


**GE2 SAE J1926-1**

Assembling threads per ISO5211																				CS	SS		
																				Carbon Steel	Stainless Steel		
TYPE	DN	PN	A	B	C	D	E	F	G	H	I	ØM	ØS	ØT	ØK*	W*	X*	ISO5211	SW	ØLW	WEIGHT	ITEM CODE	
GE2 SAE4	6	MPa 50	mm 35	14,5	71	42,4	11,1	49	30	110	87	7/16	M4	35	5,25	4,5	34	F03	9	6	kg 0,512	GE2EEE05011AF50	GE2EEE05044AF50
		Psi 7250	inch 1,38	0,57	2,80	1,67	0,44	1,93	1,18	4,33	3,43	UNF	M4	1,38	0,21	0,18	1,34		0,35	0,24	lb 1,13		
GE2 SAE6	10	MPa 50	mm 40	17,5	73	44,8	11,1	54,25	35	110	93	9/16	M4	35	5,25	4,5	34	F03	9	10	kg 0,5	GE2EEE15011AF50	GE2EEE15044AF50
		Psi 7250	inch 1,57	0,69	2,87	1,76	0,44	2,14	1,38	4,33	3,66	UNF	M4	1,38	0,21	0,18	1,34		0,35	0,39	lb 1,10		
GE2 SAE8	13	MPa 50	mm 43	19,7	83	48,4	11,1	57,25	37	110	97	3/4	M5	36	5,25	5	36	F03	9	13	kg 0,779	GE2EEE25011AF50	GE2EEE25044AF50
		Psi 7250	inch 1,69	0,78	3,27	1,91	0,44	2,25	1,46	4,33	3,82	UNF	M5	1,42	0,21	0,20	1,42		0,35	0,51	lb 1,72		
GE2 SAE12	20	MPa 50	mm 57	25,4	95	62,5	14,35	75,5	49	180	105	1 1/16	M5	50	6,25	6	50	F05	14	20	kg 1,441	GE2EEE34011AF50	GE2EEE34044AF50
		Psi 7250	inch 2,24	1,00	3,74	2,46	0,56	2,97	1,93	7,09	4,13	UNF	M5	1,97	0,25	0,24	1,97		0,55	0,79	lb 3,18		
GE2 SAE16	25	MPa 42	mm 65	29,5	112,4	66,5	14,35	83,5	55	180	113	1 5/16	M6	50	6,25	6	50	F05	14	25	kg 2,335	GE2EEE43011AF50	GE2EEE43044AF50
		Psi 6090	inch 2,56	1,16	4,43	2,62	0,56	3,29	2,17	7,09	4,45	UNF	M6	1,97	0,25	0,24	1,97		0,55	0,98	lb 5,15		
GE2 SAE20R	25	MPa 35	mm 65	29,5	120,4	66,5	14,35	83,5	55	180	113	1 5/8	M6	50	6,25	6	50	F05	14	25	kg 2,307	GE2EEE53011AF50	GE2EEE53044AF50
		Psi 5075	inch 2,56	1,16	4,74	2,62	0,56	3,29	2,17	7,09	4,45	UNF	M6	1,97	0,25	0,24	1,97		0,55	0,98	lb 5,09		
GE2 SAE24R	25	MPa 35	mm 65	29,5	124,4	66,5	14,35	83,5	55	180	113	1 7/8	M6	50	6,25	6	50	F05	14	25	kg 2,399	GE2EEE63011AF50	GE2EEE63044AF50
		Psi 5075	inch 2,56	1,16	4,90	2,62	0,56	3,29	2,17	7,09	4,45	UNF	M6	1,97	0,25	0,24	1,97		0,55	0,98	lb 5,29		

Size only for carbon steel valves with fixing holes included.

FIXING HOLES INCLUDED



# GE2 HC High Cyclicality

2-WAY HIGH PRESSURE BALL VALVES

1.000.000 CYCLES

Edition. 21.3

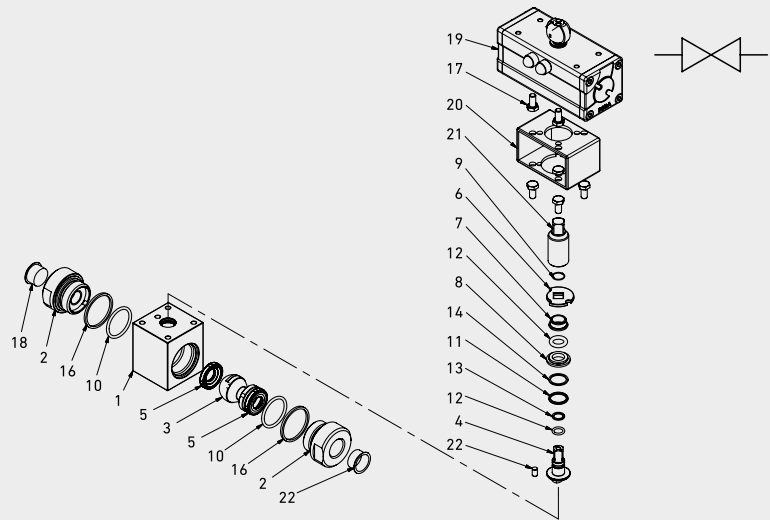
## CS Carbon Steel

- Type: ball valve 2 way high cycles
- Sizes: from DN6 up to DN32
- Ends: BSP-NPT-SAE
- Pressure: up to PN500
- Temp range: from -20°C to +100°C
- Treatment: Galvanized

## SS Stainless Steel

- Type: ball valve 2 way high cycles
- Sizes: from DN6 up to DN32
- Ends: BSP-NPT-SAE
- Pressure: up to PN500
- Temp range: from -30°C to +100°C

## STANDARD COMPOSITION OF VALVE



POS	DESCRIPTION	Q.TY		MATERIAL		POS	DESCRIPTION	Q.TY		MATERIAL	
		DN10-13	DN20-25-32	CS Carbon Steel	SS Stainless Steel			DN10-13	DN20-25-32	CS Carbon Steel	SS Stainless Steel
1	Body	1	1	1,0737	1,4404	12	Stem o-ring	1	/	NBR	NBR
2	Adapter	2	2	1,0460	1,4404	13	Stem Back-up	1	1	PTFE	PTFE
3	Ball	1	1	1,4404	1,4404	14	Stem Back-up	1	/	PTFE	PTFE
4	Stem	1	1	1,4542	1,4542	15	Stem quad-ring	1	1	NBR	NBR
5	Ball seat	2	2	PA612G	PA612G	16	Closure gasket	2	2	GRAPHITE	GRAPHITE
6	Washer	1	1	1,0116	1,0116	17	Screws	8	8	ISO 4017 8.8	ISO 4017 8.8
7	Upper Bushing	1	1	POM - A1000	POM -A1000	18	Caps	2	2	PVC	PVC
8	Lower Bushing	1	1	POM - A1000	POM -A1000	19	Actuator	1	1	N/A	N/A
9	Seeger	1	1	1,4404	1,4404	20	Connector	1	1	1,0737	1,0737
10	Adapter o-ring	2	2	NBR	NBR	21	Joint	1	1	1,0737	1,0737
11	Stem o-ring	1	1	NBR	NBR	22	Pin	1	1	1,0737	1,4404





STANDARD DESIGN: BARE STEM WITH ACTUATOR HOLES

CODE DESCRIPTION STRUCTURE

GE2 HC	G 1/2	DN13	1	2	M	4	A	B
--------	-------	------	---	---	---	---	---	---

Type and way of valve

GE2 HC 2-way

Ends

GAS DIN/ ISO 228 BSP	NPT ANSI /ASME B1.20.1	SAE J1926-1
G 1/4	N 1/4	SAE4
G 3/8	N 3/8	SAE6
G 1/2	N 1/2	SAE8
G 3/4	N 3/4	SAE12
G 1	N 1	SAE16
G 1 1/4	N 1 1/4	SAE20

Size

from DN6 to DN32

Body Material

- 1 = 1,0737
- 4 = 1,4404

Adapter material

- 2 = 1,0460
- 4 = 1,4404

Stem material

- M = 1,4542
- M = 1,4542

Ball Material

- 4 = 1,4404
- 4 = 1,4404

Seat material

A = POM D = PEEK\* G = PA612\* K = GEMPTFE\* C = PTFE\*

Seal material

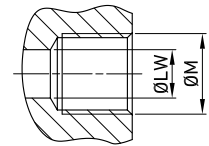
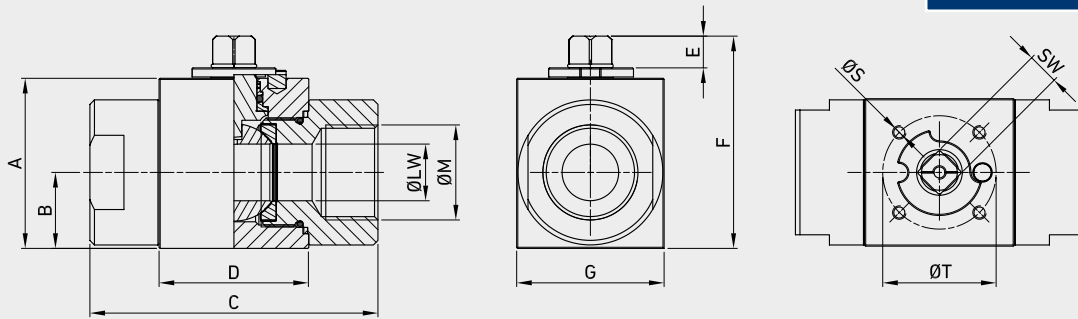
B = NBR E = FKM\* F = EPDM\* L = MVQ\*

\*On request

- Pneumatic and electrical actuator

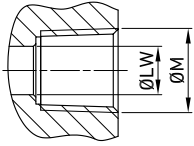
For further special requests please consult our technical/commercial service.

STANDARD DESIGN: BARE STEM WITH ACTUATOR HOLES

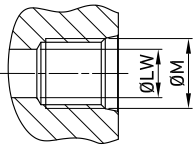


GE2 HC DIN/ISO 228 BSP

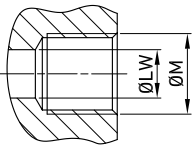
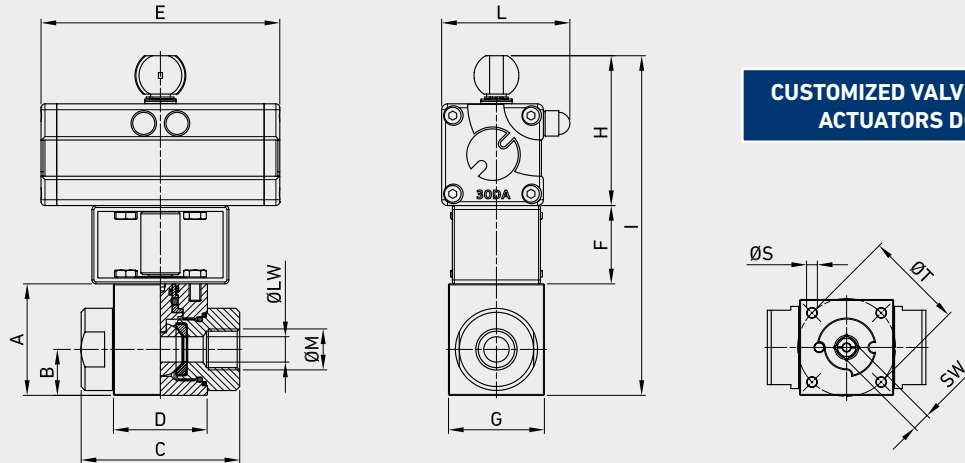
TYPE	DN	PN	A	B	C	D	E	F	G	ØM	ØS	ØT	ISO5211	SW	ØLW	WEIGHT	ITEM CODE	
																	CS	SS
GE2 HC G 1/4	6	MPa 50	mm 57	24,5	73	44	11	71,3	49	G 1/4	M6	50	F05	9	10	kg 0,505	G590202A1301TAA	G590202A2P01TAA
		Psi 7250	inch 2,24	0,96	2,87	1,73	0,43	2,81	1,93									
GE2 HC G 3/8	10	MPa 50	mm 57	24,5	73	44	11	71,3	49	G 3/8	M6	50	F05	9	10	kg 0,744	G590203A1301TAA	G590203A2P01TAA
		Psi 7250	inch 2,24	0,96	2,87	1,73	0,43	2,81	1,93									
GE2 HC G 1/2	13	MPa 50	mm 57	23,5	81	48	11	71,3	49	G 1/2	M6	50	F05	9	13	kg 1,238	G590204A1301TAA	G590204A2P01TAA
		Psi 7250	inch 2,24	0,93	3,19	1,89	0,43	2,81	1,93									
GE2 HC G 3/4	20	MPa 40	mm 65	27	98	62	14	83,7	55	G 3/4	M6	50	F05	14	20	kg 1,818	G590205A1301RAA	G590205A2P01RAA
		Psi 5800	inch 2,56	1,06	3,86	2,44	0,55	3,30	2,17									
GE2 HC G 1	25	MPa 35	mm 75	33,5	106	66	14	93,6	65	G 1	M6	50	F05	14	25	kg 2,323	G590206A1301PAA	G590206A2P01PAA
		Psi 5075	inch 2,95	1,32	4,17	2,60	0,55	3,69	2,56									
GE2 HC G 1 1/4 R	25	MPa 35	mm 75	33,5	127	66	14	93,6	65	G 1 1/4	M6	50	F05	14	25	kg 2,573	G590207R1301PAA	G590207R2P01PAA
		Psi 5075	inch 2,95	1,32	5,00	2,60	0,55	3,69	2,56									
GE2 HC G 1 1/4	32	MPa 35	mm 87	40,75	127	83	14	93,6	80	G 1 1/4	M8	70	F07	14	32	kg 2,890	G590207A1301PAA	G590207A2P01PAA
		Psi 5075	inch 3,43	1,60	5,00	3,27	0,55	3,69	3,15									


**GE2 HC ANSI/ASME B1.20.1 NPT**

																	CS	SS
																	Carbon Steel	Stainless Steel
TYPE	DN	PN	A	B	C	D	E	F	G	ØM	ØS	ØT	ISO5211	SW	ØLW	WEIGHT	ITEM CODE	
GE2 HC N 1/4	6	MPa 50	mm 57	24,5	73	44	11	71,3	49	N 1/4	M6	50	F05	9	10	kg 0,505	G590902A1301TAA	G590902A2P01TAA
		Psi 7250	inch 2,24	0,96	2,87	1,73	0,43	2,81	1,93									
GE2 HC N 3/8	10	MPa 50	mm 57	24,5	73	44	11	71,3	49	N 3/8	M6	50	F05	9	10	kg 0,744	G590903A1301TAA	G590903A2P01TAA
		Psi 7250	inch 2,24	0,96	2,87	1,73	0,43	2,81	1,93									
GE2 HC N 1/2	13	MPa 50	mm 57	23,5	81	48	11	71,3	49	N 1/2	M6	50	F05	9	13	kg 1,238	G590904A1301TAA	G590904A2P01TAA
		Psi 7250	inch 2,24	0,93	3,19	1,89	0,43	2,81	1,93									
GE2 HC N 3/4	20	MPa 40	mm 65	27	98	62	14	83,7	55	N 3/4	M6	50	F05	14	20	kg 1,818	G590905A1301RAA	G590905A2P01RAA
		Psi 5800	inch 2,56	1,06	3,86	2,44	0,55	3,30	2,17									
GE2 HC N 1	25	MPa 35	mm 75	33,5	106	66	14	93,6	65	N 1	M6	50	F05	14	25	kg 2,323	G590906A1301PAA	G590906A2P01PAA
		Psi 5075	inch 2,95	1,32	4,17	2,60	0,55	3,69	2,56									
GE2 HC N 1/4 R	25	MPa 35	mm 75	33,5	127	66	14	93,6	65	N1 1/4	M6	50	F05	14	25	kg 2,573	G590907R1301PAA	G590907R2P01PAA
		Psi 5075	inch 2,95	1,32	5,00	2,60	0,55	3,69	2,56									
GE2 HC N 1 1/4	32	MPa 35	mm 87	40,75	127	83	14	93,6	80	N1 1/4	M8	70	F07	14	32	kg 2,890	G590907A1301PAA	G590907A2P01PAA
		Psi 5075	inch 3,43	1,60	5,00	3,27	0,55	3,69	3,15									


**GE2 HC SAE J1926-1**

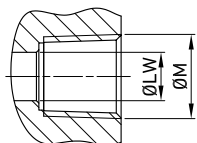
																	CS	SS
																	Carbon Steel	Stainless Steel
TYPE	DN	PN	A	B	C	D	E	F	G	ØM	ØS	ØT	ISO5211	SW	ØLW	WEIGHT	ITEM CODE	
GE2 HC SAE4	6	MPa 50	mm 57	24,5	73	44	11	71,3	49	7/16	M6	50	F05	9	10	kg 0,505	G590B02A1301TAA	G590B02A2P01TAA
		Psi 7250	inch 2,24	0,96	2,87	1,73	0,43	2,81	1,93									
GE2 HC SAE6	10	MPa 50	mm 57	24,5	73	44	11	71,3	49	9/16	M6	50	F05	9	10	kg 0,744	G590B03A1301TAA	G590B03A2P01TAA
		Psi 7250	inch 2,24	0,96	2,87	1,73	0,43	2,81	1,93									
GE2 HC SAE8	13	MPa 50	mm 57	23,5	81	48	11	71,3	49	3/4	M6	50	F05	9	13	kg 1,238	G590B04A1301TAA	G590B04A2P01TAA
		Psi 7250	inch 2,24	0,93	3,19	1,89	0,43	2,81	1,93									
GE2 HC SAE12	20	MPa 40	mm 65	27	98	62	14	83,7	55	1 1/16	M6	50	F05	14	20	kg 1,818	G590B05A1301RAA	G590B05A2P01RAA
		Psi 5800	inch 2,56	1,06	3,86	2,44	0,55	3,30	2,17									
GE2 HC SAE16	25	MPa 35	mm 75	33,5	106	66	14	93,6	65	1 5/16	M6	50	F05	14	25	kg 2,323	G590B06A1301PAA	G590B06A2P01PAA
		Psi 5075	inch 2,95	1,32	4,17	2,60	0,55	3,69	2,56									
GE2 HC SAE20R	25	MPa 35	mm 75	33,5	127	66	14	93,6	65	1 5/8	M6	50	F05	14	25	kg 2,573	G590B07R1301PAA	G590B07R2P01PAA
		Psi 5075	inch 2,95	1,32	5,00	2,60	0,55	3,69	2,56									
GE2 HC SAE20	32	MPa 35	mm 87	40,75	127	83	14	93,6	80	1 5/8	M8	70	F07	14	32	kg 2,890	G590B07A1301PAA	G590B07A2P01PAA
		Psi 5075	inch 3,43	1,60	5,00	3,27	0,55	3,69	3,15									



GE2 HC DIN/ISO 228 BSP

TYPE	DN	PN	A	B	C	D	E	F	G	H	I	L	ØM	ØS	ØT	ISO5211	SW	ØLW	WEIGHT
GE2 HC G 1/4	6	MPa 50	mm 57	24,5	73	44	122	40	49	76,6	173,6	65,5	G 1/4	M6	50	F05	9	10	kg 1,113
		Psi 7250	inch 2,24	0,96	2,87	1,73	4,80	1,57	1,93	3,02	6,83	2,58			1,97		0,35	0,39	lb 2,45
GE2 HC G 3/8	10	MPa 50	mm 57	24,5	73	44	122	40	49	76,6	173,6	65,5	G 3/8	M6	50	F05	9	10	kg 1,0610
		Psi 7250	inch 2,24	0,96	2,87	1,73	4,80	1,57	1,93	3,02	6,83	2,58			1,97		0,35	0,39	lb 2,34
GE2 HC G 1/2	13	MPa 50	mm 57	23,5	81	48	122	40	49	76,6	173,6	65,5	G 1/2	M6	50	F05	9	13	kg 1,187
		Psi 7250	inch 2,24	0,93	3,19	1,89	4,80	1,57	1,93	3,02	6,83	2,58			1,97		0,35	0,51	lb 2,62
GE2 HC G 3/4	20	MPa 40	mm 65	27	98	62	151	40	55	89,6	194,6	80,6	G 3/4	M6	50	F05	14	20	kg 1,9350
		Psi 5800	inch 2,56	1,06	3,86	2,44	5,94	1,57	2,17	3,53	7,66	3,17			1,97		0,55	0,79	lb 4,27
GE2 HC G 1	25	MPa 35	mm 75	33,5	106	66	151	40	65	89,6	204,6	80,6	G 1	M6	50	F05	14	25	kg 2,787
		Psi 5075	inch 2,95	1,32	4,17	2,60	5,94	1,57	2,56	3,53	8,06	3,17			1,97		0,55	0,98	lb 6,14
GE2 HC G 1 1/4 R	25	MPa 35	mm 75	33,5	127	66	151	40	65	89,6	204,6	80,6	G1 1/4	M6	50	F05	14	25	kg 4,768
		Psi 5075	inch 2,95	1,32	5,00	2,60	5,94	1,57	2,56	3,53	8,06	3,17			1,97		0,55	0,98	lb 10,51
GE2 HC G 1 1/4	32	MPa 35	mm 87	40,75	127	83	197	40	80	105	232	95,6	G1 1/4	M8	70	F07	14	32	kg 4,933
		Psi 5075	inch 3,43	1,60	5,00	3,27	7,76	1,57	3,15	4,13	9,13	3,76			2,76		0,55	1,26	lb 10,88

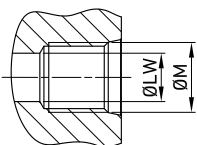
Customized valves with selected actuators



### GE2 HC ANSI/ASME B1.20.1 NPT

TYPE	DN	PN	A	B	C	D	E	F	G	H	I	L	ØM	ØS	ØT	ISO5211	SW	ØLW	WEIGHT	
GE2 HC N 1/4	6	MPa 50	mm	57	24,5	73	44	122	40	49	76,6	173,6	65,5	N 1/4	M6	50	F05	9	10	kg 1,113
		Psi 7250	inch	2,24	0,96	2,87	1,73	4,80	1,57	1,93	3,02	6,83	2,58			1,97		0,35	0,39	lb 2,45
GE2 HC N 3/8	10	MPa 50	mm	57	24,5	73	44	122	40	49	76,6	173,6	65,5	N 3/8	M6	50	F05	9	10	kg 1,2100
		Psi 7250	inch	2,24	0,96	2,87	1,73	4,80	1,57	1,93	3,02	6,83	2,58			1,97		0,35	0,39	lb 2,67
GE2 HC N 1/2	13	MPa 50	mm	57	23,5	81	48	122	40	49	76,6	173,6	65,5	N 1/2	M6	50	F05	9	13	kg 1,184
		Psi 7250	inch	2,24	0,93	3,19	1,89	4,80	1,57	1,93	3,02	6,83	2,58			1,97		0,35	0,51	lb 2,61
GE2 HC N 3/4	20	MPa 40	mm	65	27	98	62	151	40	55	89,6	194,6	80,6	N 3/4	M6	50	F05	14	20	kg 2,04
		Psi 5800	inch	2,56	1,06	3,86	2,44	5,94	1,57	2,17	3,53	7,66	3,17			1,97		0,55	0,79	lb 4,50
GE2 HC N 1	25	MPa 35	mm	75	33,5	106	66	151	40	65	89,6	204,6	80,6	N 1	M6	50	F05	14	25	kg 3,08
		Psi 5075	inch	2,95	1,32	4,17	2,60	5,94	1,57	2,56	3,53	8,06	3,17			1,97		0,55	0,98	lb 6,79
GE2 HC N 1/4 R	25	MPa 35	mm	75	33,5	127	66	151	40	65	89,6	204,6	80,6	N 1 1/4	M6	50	F05	14	25	kg 3,08
		Psi 5075	inch	2,95	1,32	5,00	2,60	5,94	1,57	2,56	3,53	8,06	3,17			1,97		0,55	0,98	lb 6,79
GE2 HC N 1 1/4	32	MPa 35	mm	87	40,75	127	83	197	40	80	105	232	95,6	N 1 1/4	M8	70	F07	14	32	kg 4,933
		Psi 5075	inch	3,43	1,60	5,00	3,27	7,76	1,57	3,15	4,13	9,13	3,76			2,76		0,55	1,26	lb 10,88

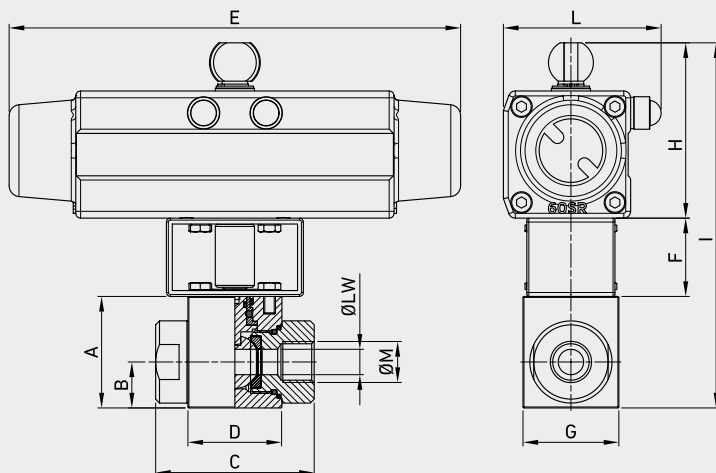
Customized valves with selected actuators



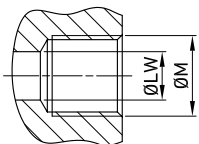
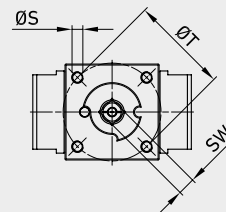
### GE2 HC SAE J1926-1

TYPE	DN	PN	A	B	C	D	E	F	G	H	I	L	ØM	ØS	ØT	ISO5211	SW	ØLW	WEIGHT	
GE2 HC SAE4	6	MPa 50	mm	57	24,5	73	44	122	40	49	76,6	173,6	65,5	7/16	M6	50	F05	9	10	kg 1,113
		Psi 7250	inch	2,24	0,96	2,87	1,73	4,80	1,57	1,93	3,02	6,83	2,58	UNF		1,97		0,35	0,39	lb 2,45
GE2 HC SAE6	10	MPa 50	mm	57	24,5	73	44	122	40	49	76,6	173,6	65,5	9/16	M6	50	F05	9	10	kg 1,2100
		Psi 7250	inch	2,24	0,96	2,87	1,73	4,80	1,57	1,93	3,02	6,83	2,58	UNF		1,97		0,35	0,39	lb 2,67
GE2 HC SAE8	13	MPa 50	mm	57	23,5	81	48	122	40	49	76,6	173,6	65,5	3/4	M6	50	F05	9	13	kg 1,187
		Psi 7250	inch	2,24	0,93	3,19	1,89	4,80	1,57	1,93	3,02	6,83	2,58	UNF		1,97		0,35	0,51	lb 2,62
GE2 HC SAE12	20	MPa 40	mm	65	27	98	62	151	40	55	89,6	194,6	80,6	1 1/16	M6	50	F05	14	20	kg 1,9350
		Psi 5800	inch	2,56	1,06	3,86	2,44	5,94	1,57	2,17	3,53	7,66	3,17	UNF		1,97		0,55	0,79	lb 4,27
GE2 HC SAE16	25	MPa 35	mm	75	33,5	106	66	151	40	65	89,6	204,6	80,6	1 5/16	M6	50	F05	14	25	kg 2,787
		Psi 5075	inch	2,95	1,32	4,17	2,60	5,94	1,57	2,56	3,53	8,06	3,17	UNF		1,97		0,55	0,98	lb 6,14
GE2 HC SAE20R	25	MPa 35	mm	75	33,5	127	66	151	40	65	89,6	204,6	80,6	1 5/8	M6	50	F05	14	25	kg 4,768
		Psi 5075	inch	2,95	1,32	5,00	2,60	5,94	1,57	2,56	3,53	8,06	3,17	UNF		1,97		0,55	0,98	lb 10,51
GE2 HC SAE20	32	MPa 35	mm	87	40,75	127	83	197	40	80	105	232	95,6	1 5/8	M8	70	F07	14	32	kg 4,934
		Psi 5075	inch	3,43	1,60	5,00	3,27	7,76	1,57	3,15	4,13	9,13	3,76	UNF		2,76		0,55	1,26	lb 10,88

Customized valves with selected actuators



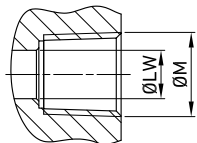
CUSTOMIZED VALVES WITH SELECTED ACTUATORS SPRING RETURN



GE2 HC DIN/ISO 228 BSP

TYPE	DN	PN	A	B	C	D	E	F	G	H	I	L	ØM	ØS	ØT	ISO5211	SW	ØLW	WEIGHT
GE2 HC G 1/4	6	MPa 50	mm 57	24,5	73	44	231	40	49	89,6	186,6	80,6	G 1/4	M6	50	F05	9	10	kg 1,113
		Psi 7250	inch 2,24	0,96	2,87	1,73	9,09	1,57	1,93	3,53	7,35	3,17			1,97		0,35	0,39	lb 2,45
GE2 HC G 3/8	10	MPa 50	mm 57	24,5	73	44	231	40	49	89,6	186,6	80,6	G 3/8	M6	50	F05	9	10	kg 1,0610
		Psi 7250	inch 2,24	0,96	2,87	1,73	9,09	1,57	1,93	3,53	7,35	3,17			1,97		0,35	0,39	lb 2,34
GE2 HC G 1/2	13	MPa 50	mm 57	23,5	81	48	231	40	49	89,6	186,6	80,6	G 1/2	M6	50	F05	9	13	kg 1,187
		Psi 7250	inch 2,24	0,93	3,19	1,89	9,09	1,57	1,93	3,53	7,35	3,17			1,97		0,35	0,51	lb 2,62
GE2 HC G 3/4	20	MPa 40	mm 65	27	98	62	300	40	55	105	210	96	G 3/4	M6	50	F05	14	20	kg 1,9350
		Psi 5800	inch 2,56	1,06	3,86	2,44	11,81	1,57	2,17	4,13	8,27	3,78			1,97		0,55	0,79	lb 4,27
GE2 HC G 1	25	MPa 35	mm 75	33,5	106	66	300	40	65	105	220	96	G 1	M6	50	F05	14	25	kg 2,787
		Psi 5075	inch 2,95	1,32	4,17	2,60	11,81	1,57	2,56	4,13	8,66	3,78			1,97		0,55	0,98	lb 6,14
GE2 HC G 1 1/4 R	25	MPa 35	mm 75	33,5	127	66	300	40	65	105	220	96	G1 1/4	M6	50	F05	14	25	kg 4,768
		Psi 5075	inch 2,95	1,32	5,00	2,60	11,81	1,57	2,56	4,13	8,66	3,78			1,97		0,55	0,98	lb 10,51
GE2 HC G 1 1/4	32	MPa 35	mm 87	40,75	127	83	410	40	80	135	262	131	G1 1/4	M8	70	F07	14	32	kg 4,933
		Psi 5075	inch 3,43	1,60	5,00	3,27	16,14	1,57	3,15	5,31	10,31	5,16			2,76		0,55	1,26	lb 10,88

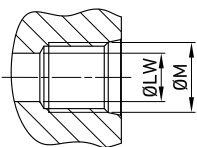
Customized valves with selected actuators



## GE2 HC ANSI/ASME B1.20.1 NPT

TYPE	DN	PN	A	B	C	D	E	F	G	H	I	L	ØM	ØS	ØT	ISO5211	SW	ØLW	WEIGHT	
GE2 HC N 1/4	6	MPa 50	mm	57	24,5	73	44	231	40	49	89,6	186,6	80,6	N 1/4	M6	50	F05	9	10	kg 1,113
		Psi 7250	inch	2,24	0,96	2,87	1,73	9,09	1,57	1,93	3,53	7,35	3,17			1,97		0,35	0,39	lb 2,45
GE2 HC N 3/8	10	MPa 50	mm	57	24,5	73	44	231	40	49	89,6	186,6	80,6	N 3/8	M6	50	F05	9	10	kg 1,2100
		Psi 7250	inch	2,24	0,96	2,87	1,73	9,09	1,57	1,93	3,53	7,35	3,17			1,97		0,35	0,39	lb 2,67
GE2 HC N 1/2	13	MPa 50	mm	57	23,5	81	48	231	40	49	89,6	186,6	80,6	N 1/2	M6	50	F05	9	13	kg 1,184
		Psi 7250	inch	2,24	0,93	3,19	1,89	9,09	1,57	1,93	3,53	7,35	3,17			1,97		0,35	0,51	lb 2,61
GE2 HC N 3/4	20	MPa 40	mm	65	27	98	62	300	40	55	105	210	96	N 3/4	M6	50	F05	14	20	kg 2,04
		Psi 5800	inch	2,56	1,06	3,86	2,44	11,81	1,57	2,17	4,13	8,27	3,78			1,97		0,55	0,79	lb 4,50
GE2 HC N 1	25	MPa 35	mm	75	33,5	106	66	300	40	65	105	220	96	N 1	M6	50	F05	14	25	kg 3,08
		Psi 5075	inch	2,95	1,32	4,17	2,60	11,81	1,57	2,56	4,13	8,66	3,78			1,97		0,55	0,98	lb 6,79
GE2 HC N 1/4 R	25	MPa 35	mm	75	33,5	127	66	300	40	65	105	220	96	N 1 1/4	M6	50	F05	14	25	kg 3,08
		Psi 5075	inch	2,95	1,32	5,00	2,60	11,81	1,57	2,56	4,13	8,66	3,78			1,97		0,55	0,98	lb 6,79
GE2 HC N 1 1/4	32	MPa 35	mm	87	40,75	127	83	410	40	80	135	262	131	N 1 1/4	M8	70	F07	14	32	kg 4,933
		Psi 5075	inch	3,43	1,60	5,00	3,27	16,14	1,57	3,15	5,31	10,31	5,16			2,76		0,55	1,26	lb 10,88

Customized valves with selected actuators



## GE2 HC SAE J1926-1

TYPE	DN	PN	A	B	C	D	E	F	G	H	I	L	ØM	ØS	ØT	ISO5211	SW	ØLW	WEIGHT	
GE2 HC SAE4	6	MPa 57	mm	57	24,5	73	44	231	40	49	89,6	186,6	80,6	7/16	M6	50	F05	9	10	kg 1,113
		Psi 2,24	inch	2,24	0,96	2,87	1,73	9,09	1,57	1,93	3,53	7,35	3,17	UNF		1,97		0,35	0,39	lb 2,45
GE2 HC SAE6	10	MPa 57	mm	57	24,5	73	44	231	40	49	89,6	186,6	80,6	9/16	M6	50	F05	9	10	kg 1,2100
		Psi 2,24	inch	2,24	0,96	2,87	1,73	9,09	1,57	1,93	3,53	7,35	3,17	UNF		1,97		0,35	0,39	lb 2,67
GE2 HC SAE8	13	MPa 57	mm	57	23,5	81	48	231	40	49	89,6	186,6	80,6	3/4	M6	50	F05	9	13	kg 1,187
		Psi 2,24	inch	2,24	0,93	3,19	1,89	9,09	1,57	1,93	3,53	7,35	3,17	UNF		1,97		0,35	0,51	lb 2,62
GE2 HC SAE12	20	MPa 65	mm	65	27	98	62	300	40	55	105	210	96	1 1/16	M6	50	F05	14	20	kg 1,9350
		Psi 2,56	inch	2,56	1,06	3,86	2,44	11,81	1,57	2,17	4,13	8,27	3,78	UNF		1,97		0,55	0,79	lb 4,27
GE2 HC SAE16	25	MPa 75	mm	75	33,5	106	66	300	40	65	105	220	96	1 5/16	M6	50	F05	14	25	kg 2,787
		Psi 2,95	inch	2,95	1,32	4,17	2,60	11,81	1,57	2,56	4,13	8,66	3,78	UNF		1,97		0,55	0,98	lb 6,14
GE2 HC SAE20R	25	MPa 75	mm	75	33,5	127	66	300	40	65	105	220	96	1 5/8	M6	50	F05	14	25	kg 4,768
		Psi 2,95	inch	2,95	1,32	5,00	2,60	11,81	1,57	2,56	4,13	8,66	3,78	UNF		1,97		0,55	0,98	lb 10,51
GE2 HC SAE20	32	MPa 87	mm	87	40,75	127	83	410	40	80	135	262	131	1 5/8	M8	70	F07	14	32	kg 4,934
		Psi 3,43	inch	3,43	1,60	5,00	3,27	16,14	1,57	3,15	5,31	10,31	5,16	UNF		2,76		0,55	1,26	lb 10,88

Customized valves with selected actuators



# GE3L

## 3-WAY HIGH PRESSURE BALL VALVES

Edition. 21.5

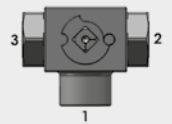
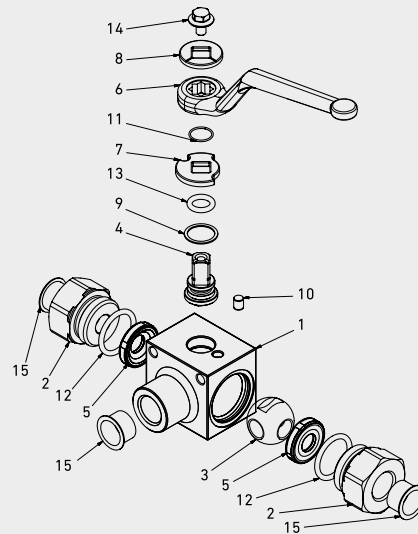
### CS Carbon Steel

- Type: ball valve 3 way
- Sizes: from DN6 up to DN25
- Ends: BSP-NPT-SAE-DIN
- Pressure: up to PN500
- Temp range: from -20°C to +100°C
- Treatment: Galvanized

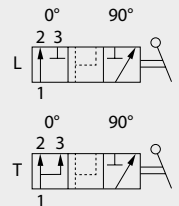
### SS Stainless Steel

- Type: ball valve 3 way
- Sizes: from DN6 up to DN25
- Ends: BSP-NPT-SAE-DIN
- Pressure: up to PN500
- Temp range: from -30°C to +100°C

### STANDARD COMPOSITION OF VALVE



**WARNING!**  
Pressure inlet only from center port 1



POS	DESCRIPTION	Q.TY	CS	SS
			Carbon Steel	Stainless Steel
			MATERIAL	
1	Body	1	1,0737	1,4404
2	Adapter	2	1,0737	1,4404
3	Ball	1	1,0737	1,4404
4	Stem	1	1,0737	1,4404
5	Ball seat	2	POM	POM
6	Handle	1	ZINC	ZINC
7	Washer	1	1,0116	1,4404
8	Washer	1	1,0116	1,4404
9	Stem ring	1	POM	POM
10	Pin	1	1,0737	1,4404
11	Seeger	1	1,4404	1,4404
12	Adapter o-ring	2	NBR	NBR
13	Stem o-ring	1	NBR	NBR
14	Screw	1	Din 6921 8.8	Din 6921 A4
15	Caps	3	PVC	PVC





**CODE DESCRIPTION STRUCTURE**

**GE3 G 1/2 DN13 1 1 1 1 A B**

**Type and way of valve**

GE3 3-way L scheme  
 GE3 3-way T scheme (available)

**Ends**

GAS DIN/ ISO 228 BSP	NPT ANSI /ASME B1.20.1	SAE J1926-1	DIN 2353 HEAVY SERIES	DIN 2353 LIGHT SERIES
G 1/4	N 1/4	SAE4	8S	6L
G 3/8	N 3/8	SAE6	10S	8L
G 1/2	N 1/2	SAE8	12S	10L
G 3/4	N 3/4	SAE12	14S	12L
G 1	N 1	SAE16	16S	15L
G 1 1/4 R	N 1 1/4 R	SAE20R	20S	18L
G 1 1/2 R	N 1 1/2 R	SAE24R	25S 30S 38S	22L 28L 35L

**Size**

from DN6 to DN25

**Body Material**

- 1 = 1,0737
- 4 = 1,4404

**Adapter material**

- 1 = 1,0737
- 4 = 1,4404

**Stem material**

- 1 = 1,0737 4 = 1,4404\*
- 4 = 1,4404

**Ball Material**

- 1 = 1,0737 4 = 1,4404\*
- 4 = 1,4404

**Seat material**

A = POM D = PEEK\* G = PA612\* K = GEMPTFE\* C = PTFE\*

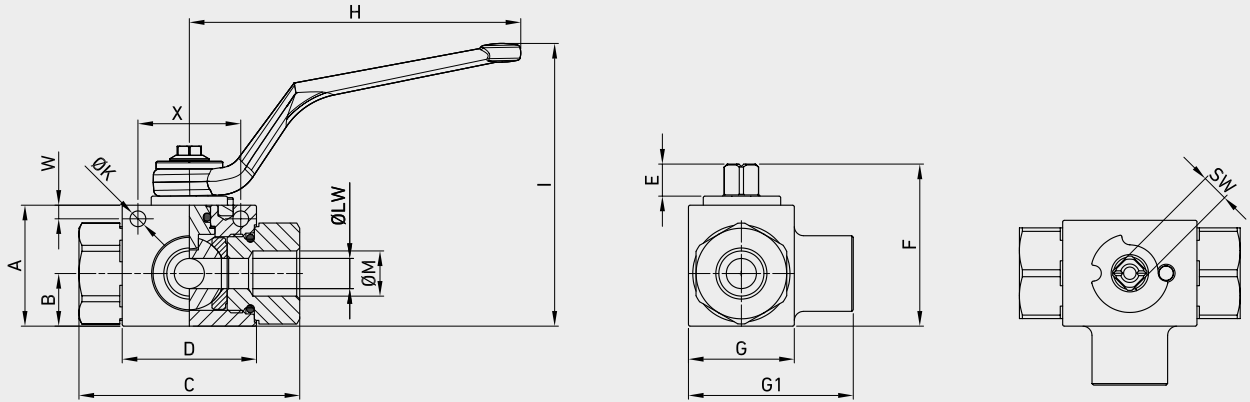
**Seal material**

B = NBR E = FKM\* F = EPDM\* L = MVQ\*

**\*On request**

- Reduced bore
- Special threads
- Pressure class up to PN40 MPa
- Pneumatic and electrical actuator
- Security block
- Locking device
- Fixing holes for SS valves

For further special requests please consult our technical/commercial service.

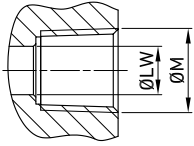


GE3 DIN/ISO 228 BSP

TYPE	DN	PN												<span style="border: 1px solid black; border-radius: 50%; padding: 2px;">CS</span> Carbon Steel <span style="border: 1px solid black; border-radius: 50%; padding: 2px;">SS</span> Stainless Steel							
			A	B	C	D	E	F	G	G1	H	I	ØM	ØK*	W*	X*	SW	ØLW	WEIGHT	ITEM CODE	
GE3L G 1/4	6	MPa 50	mm 35	14,5	71	42,4	11	49	30	48,5	110	87	G 1/4	5,25	4,5	34	9	6	kg 0,536	GE3GGT14011A000	GE3GGT14044A000
		Psi 7250	inch 1,38	0,57	2,80	1,67	0,43	1,93	1,18	1,91	4,33	3,43		0,21	0,18	1,34	0,35	0,24	lb 1,18		
GE3L G 3/8	10	MPa 50	mm 40	17,4	73	44,4	11	54,25	35	54,5	110	93	G 3/8	5,25	4,5	34	9	10	kg 0,695	GE3GGT24011A000	GE3GGT24044A000
		Psi 7250	inch 1,57	0,69	2,87	1,75	0,43	2,14	1,38	2,15	4,33	3,66		0,21	0,18	1,34	0,35	0,39	lb 1,53		
GE3L G 1/2	13	MPa 50	mm 43	19,7	83	48,4	11	57	37	58,5	110	97	G 1/2	5,25	5	36	9	13	kg 0,825	GE3GGT33011A000	GE3GGT33044A000
		Psi 7250	inch 1,69	0,78	3,27	1,91	0,43	2,24	1,46	2,30	4,33	3,82		0,21	0,20	1,42	0,35	0,51	lb 1,82		
GE3L G 3/4	20	MPa 42	mm 57	25,4	95	62,5	14	75,5	49	75	180	105	G 3/4	6,25	6	50	14	20	kg 1,583	GE3GGT44011A000	GE3GGT43044A000
		Psi 6090	inch 2,24	1,00	3,74	2,46	0,55	2,97	1,93	2,95	7,09	4,13		0,25	0,24	1,97	0,55	0,79	lb 3,49		
GE3L G 1	25	MPa 42	mm 65	29,5	112	66,5	14	83,5	55	89	180	113	G 1	6,25	6	50	14	25	kg 2,421	GE3GGT53011A000	GE3GGT53044A000
		Psi 6090	inch 2,56	1,16	4,41	2,62	0,55	3,29	2,17	3,50	7,09	4,45		0,25	0,24	1,97	0,55	0,98	lb 5,34		
GE3L G 1 1/4 R	25	MPa 35	mm 65	29,5	120	66,5	14	83,5	55	89	180	113	G 1 1/4	6,25	6	50	14	25	kg 2,601	GE3GGR63011A000	GE3GGR63044A000
		Psi 5075	inch 2,56	1,16	4,72	2,62	0,55	3,29	2,17	3,50	7,09	4,45		0,25	0,24	1,97	0,55	0,98	lb 5,73		
GE3L G 1 1/2 R	25	MPa 35	mm 65	29,5	124	66,5	14	83,5	55	89	180	113	G 1 1/2	6,25	6	50	14	25	kg 2,756	GE3GGR73011A000	GE3GGR73044A000
		Psi 5075	inch 2,56	1,16	4,88	2,62	0,55	3,29	2,17	3,50	7,09	4,45		0,25	0,24	1,97	0,55	0,98	lb 6,08		

Size only for carbon steel valves with fixing holes included.

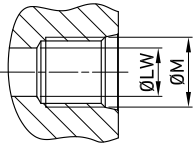
FIXING HOLES INCLUDED


**GE3 ANSI/ASME B1.20.1 NPT**

																				CS	SS
																				Carbon Steel	Stainless Steel
TYPE	DN	PN	A	B	C	D	E	F	G	G1	H	I	ØM	ØK*	W*	X*	SW	ØLW	WEIGHT	ITEM CODE	
GE3L N 1/4	6	MPa 50	mm 35	14,5	71	42,4	11	49	30	48,5	110	87	N 1/4	5,25	4,5	34	9	6	kg 0,536	GE3NNT14011A000	GE3NNT14044A000
		Psi 7250	inch 1,38	0,57	2,80	1,67	0,43	1,93	1,18	1,91	4,33	3,43		0,21	0,18	1,34	0,35	0,24	lb 1,18		
GE3L N 3/8	10	MPa 50	mm 40	17,4	73	44,4	11	54,25	35	54,5	110	93	N 3/8	5,25	4,5	34	9	10	kg 0,695	GE3NNT24011A000	GE3NNT24044A000
		Psi 7250	inch 1,57	0,69	2,87	1,75	0,43	2,14	1,38	2,15	4,33	3,66		0,21	0,18	1,34	0,35	0,39	lb 1,53		
GE3L N 1/2	13	MPa 50	mm 43	19,7	83	48,4	11	57	37	58,5	110	97	N 1/2	5,25	5	36	9	13	kg 0,825	GE3NNT33011A000	GE3NNT33044A000
		Psi 7250	inch 1,69	0,78	3,27	1,91	0,43	2,24	1,46	2,30	4,33	3,82		0,21	0,20	1,42	0,35	0,51	lb 1,82		
GE3L N 3/4	20	MPa 42	mm 57	25,4	95	62,5	14	75,5	49	75	180	105	N 3/4	6,25	6	50	14	20	kg 1,583	GE3NNT44011A000	GE3NNT43044A000
		Psi 6090	inch 2,24	1,00	3,74	2,46	0,55	2,97	1,93	2,95	7,09	4,13		0,25	0,24	1,97	0,55	0,79	lb 3,49		
GE3L N 1	25	MPa 42	mm 65	29,5	112	66,5	14	83,5	55	89	180	113	N 1	6,25	6	50	14	25	kg 2,421	GE3NNT53011A000	GE3NNT53044A000
		Psi 6090	inch 2,56	1,16	4,41	2,62	0,55	3,29	2,17	3,50	7,09	4,45		0,25	0,24	1,97	0,55	0,98	lb 5,34		
GE3L N 1/4 R	25	MPa 35	mm 65	29,5	120	66,5	14	83,5	55	89	180	113	N 1	6,25	6	50	14	25	kg 2,601	GE3NNR63011A000	GE3NNR63044A000
		Psi 5075	inch 2,56	1,16	4,72	2,62	0,55	3,29	2,17	3,50	7,09	4,45		1/4	0,25	0,24	1,97	0,55	0,98		
GE3L N 1/2 R	25	MPa 35	mm 65	29,5	124	66,5	14	83,5	55	89	180	113	N 1	6,25	6	50	14	25	kg 2,756	GE3NNR73011A000	GE3NNR73044A000
		Psi 5075	inch 2,56	1,16	4,88	2,62	0,55	3,29	2,17	3,50	7,09	4,45		1/2	0,25	0,24	1,97	0,55	0,98		

Size only for carbon steel valves with fixing holes included.

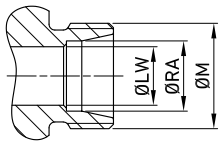
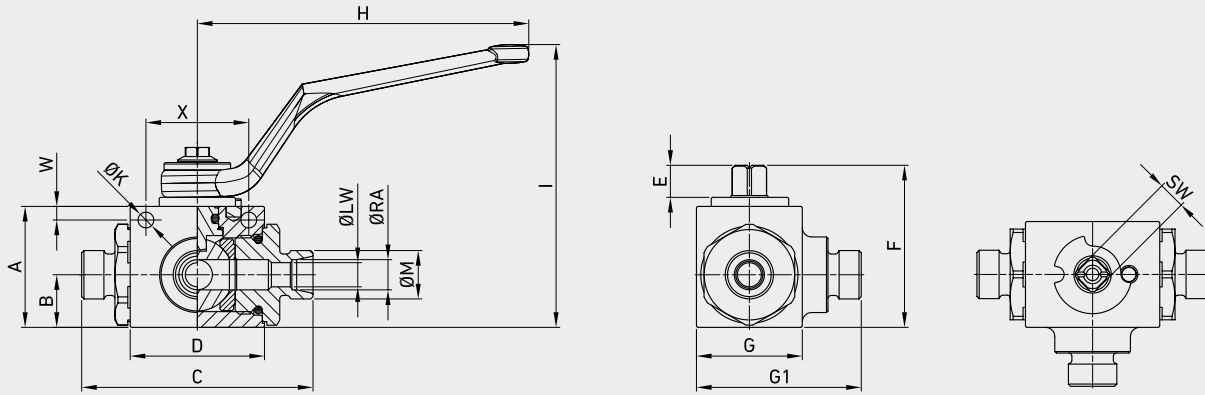
FIXING HOLES INCLUDED


**GE3 SAE J1926-1**

																				CS	SS
																				Carbon Steel	Stainless Steel
TYPE	DN	PN	A	B	C	D	E	F	G	G1	H	I	ØM	ØK*	W*	X*	SW	ØLW	WEIGHT	ITEM CODE	
GE3L SAE4	6	MPa 50	mm 35	14,5	71	42,4	11	49	30	48,5	110	87	7/16	5,25	4,5	34	9	6	kg 0,512	GE3EEE04011A000	GE3EEE04044A000
		Psi 7250	inch 1,38	0,57	2,80	1,67	0,43	1,93	1,18	1,91	4,33	3,43		UNF	0,21	0,18	1,34	0,35	0,24		
GE3L SAE6	10	MPa 50	mm 40	17,5	73	44,8	11	54,25	35	54,5	110	93	9/16	5,25	4,5	34	9	10	kg 0,695	GE3EEE14011A000	GE3EEE14044A000
		Psi 7250	inch 1,57	0,69	2,87	1,76	0,43	2,14	1,38	2,15	4,33	3,66		UNF	0,21	0,18	1,34	0,35	0,39		
GE3L SAE8	13	MPa 50	mm 43	19,7	83	48,4	11	57	37	58,5	110	97	3/4	5,25	5	36	9	13	kg 0,825	GE3EEE23011A000	GE3EEE23044A000
		Psi 7250	inch 1,69	0,78	3,27	1,91	0,43	2,24	1,46	2,30	4,33	3,82		UNF	0,21	0,20	1,42	0,35	0,51		
GE3L SAE12	20	MPa 42	mm 57	25,4	95	62,5	14	75,5	49	75	180	105	1 1/16	6,25	6	50	14	20	kg 1,583	GE3EEE34011A000	GE3EEE34044A000
		Psi 6090	inch 2,24	1,00	3,74	2,46	0,55	2,97	1,93	2,95	7,09	4,13		UNF	0,25	0,24	1,97	0,55	0,79		
GE3L SAE16	25	MPa 42	mm 65	29,4	112	66,5	14	83,5	55	89	180	113	1 5/16	6,25	6	50	14	25	kg 2,421	GE3EEE43011A000	GE3EEE43044A000
		Psi 6090	inch 2,56	1,16	4,41	2,62	0,55	3,29	2,17	3,50	7,09	4,45		UNF	0,25	0,24	1,97	0,55	0,98		
GE3L SAE20R	25	MPa 35	mm 65	29,4	120	66,5	14	83,5	55	89	180	113	1 5/8	6,25	6	50	14	25	kg 2,601	GE3EEE53011A000	GE3EEE53044A000
		Psi 5075	inch 2,56	1,16	4,72	2,62	0,55	3,29	2,17	3,50	7,09	4,45		UNF	0,25	0,24	1,97	0,55	0,98		
GE3L SAE24R	25	MPa 35	mm 65	29,4	124	66,5	14	83,5	55	89	180	113	1 7/8	6,25	6	50	14	25	kg 2,756	GE3EEE63011A000	GE3EEE63044A000
		Psi 5075	inch 2,56	1,16	4,88	2,62	0,55	3,29	2,17	3,50	7,09	4,45		UNF	0,25	0,24	1,97	0,55	0,98		

Size only for carbon steel valves with fixing holes included.

FIXING HOLES INCLUDED

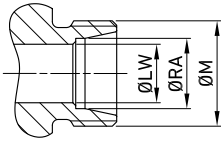


GE3 DIN 2353 HEAVY SERIES

TYPE	DN	PN	A	B	C	D	E	F	G	G1	H	I	ØM	ØK*	W*	X*	SW	ØLW	ØRA	WEIGHT	ITEM CODE	
																					CS	SS
GE3L 8S	6	MPa 50	mm 35	14,5	76	42,4	11	49	30	48,5	110	87	M16x1,5	5,25	4,5	34	9	4	8	kg 0,53	GE3DDS04011A000	GE3DDS04044A000
		Psi 7250	inch 1,38	0,57	2,99	1,67	0,43	1,93	1,18	1,91	4,33	3,43		0,21	0,18	1,34	0,35	0,16	0,31	lb 1,17		
GE3L 10S	6	MPa 50	mm 35	14,5	76	42,4	11	49	30	48,5	110	87	M18x1,5	5,25	4,5	34	9	6	10	kg 0,532	GE3DDS14011A000	GE3DDS14044A000
		Psi 7250	inch 1,38	0,57	2,99	1,67	0,43	1,93	1,18	1,91	4,33	3,43		0,21	0,18	1,34	0,35	0,24	0,39	lb 1,17		
GE3L 12S	8	MPa 50	mm 35	14,5	76	42,4	11	49	30	48,5	110	87	M20x1,5	5,25	4,5	34	9	8	12	kg 0,535	GE3DDRS4011A000	GE3DDRS4044A000
		Psi 7250	inch 1,38	0,57	2,99	1,67	0,43	1,93	1,18	1,91	4,33	3,43		0,21	0,18	1,34	0,35	0,31	0,47	lb 1,18		
GE3L 12S	10	MPa 50	mm 40	17,4	76	44,4	11	54,25	35	54,5	110	93	M20x1,5	5,25	4,5	34	9	10	12	kg 0,633	GE3DDS24011A000	GE3DDS24044A000
		Psi 7250	inch 1,57	0,69	2,99	1,75	0,43	2,14	1,38	2,15	4,33	3,66		0,21	0,18	1,34	0,35	0,39	0,47	lb 1,40		
GE3L 14S	10	MPa 50	mm 40	17,4	82,5	44,4	11	54,25	35	54,5	110	93	M22x1,5	5,25	4,5	34	9	10	14	kg 0,665	GE3DDS34011A000	GE3DDS34044A000
		Psi 7250	inch 1,57	0,69	3,25	1,75	0,43	2,14	1,38	2,15	4,33	3,66		0,21	0,18	1,34	0,35	0,39	0,55	lb 1,47		
GE3L 16S	13	MPa 50	mm 43	19,7	89	48,4	11	57	37	59	110	97	M24x1,5	5,25	5	36	9	13	16	kg 0,722	GE3DDS43011A000	GE3DDS43044A000
		Psi 7250	inch 1,69	0,78	3,50	1,91	0,43	2,24	1,46	2,32	4,33	3,82		0,21	0,20	1,42	0,35	0,51	0,63	lb 1,59		
GE3L 20S	13	MPa 50	mm 43	19,7	93	48,4	11	57	37	59	110	97	M30x2	5,25	5	36	9	13	20	kg 0,861	GE3DDS53011A000	GE3DDS53044A000
		Psi 7250	inch 1,69	0,78	3,66	1,91	0,43	2,24	1,46	2,32	4,33	3,82		0,21	0,20	1,42	0,35	0,51	0,79	lb 1,90		
GE3L 25S	20	MPa 35	mm 57	25,4	111	62,5	14	75,5	49	75	180	105	M36x2	6,25	6	50	14	20	25	kg 1,639	GE3DDS64011A000	GE3DDS63044A000
		Psi 5075	inch 2,24	1,00	4,37	2,46	0,55	2,97	1,93	2,95	7,09	4,13		0,25	0,24	1,97	0,55	0,79	0,98	lb 3,61		
GE3L 30S	25	MPa 35	mm 65	29,5	121	66,5	14	83,5	55	89	180	113	M42x2	6,25	6	50	14	25	30	kg 2,361	GE3DDS73011A000	GE3DDS73044A000
		Psi 5075	inch 2,56	1,16	4,76	2,62	0,55	3,29	2,17	3,50	7,09	4,45		0,25	0,24	1,97	0,55	0,98	1,18	lb 5,21		
GE3L 38S	25	MPa 35	mm 65	29,5	131	66,5	14	83,5	55	89	180	113	M52x2	6,25	6	50	14	25	38	kg 2,655	GE3DDS83011A000	GE3DDS83044A000
		Psi 5075	inch 2,56	1,16	5,16	2,62	0,55	3,29	2,17	3,50	7,09	4,45		0,25	0,24	1,97	0,55	0,98	1,50	lb 5,85		

Size only for carbon steel valves with fixing holes included.

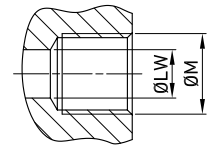
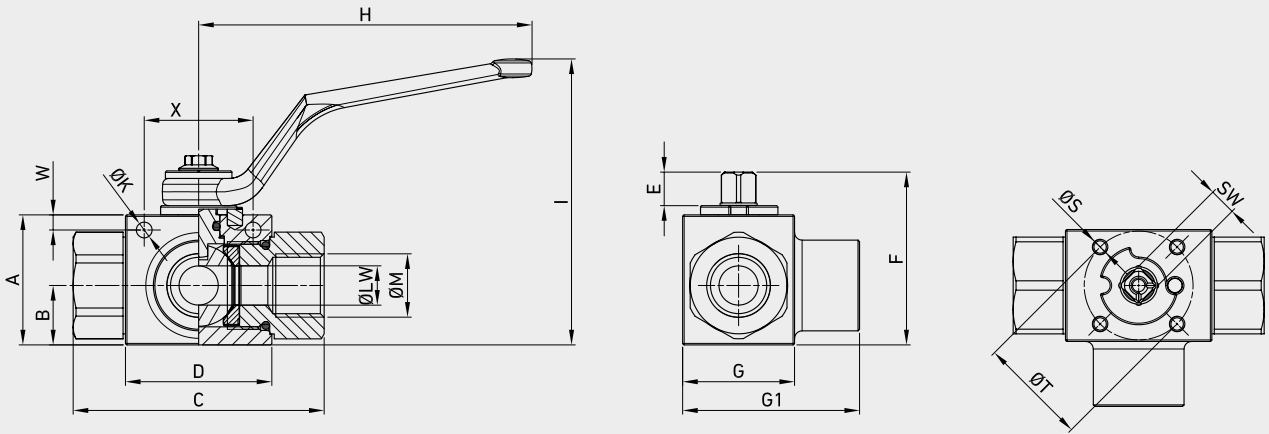
FIXING HOLES INCLUDED


**GE3 DIN 2353 LIGHT SERIES**

TYPE	DN	PN	A	B	C	D	E	F	G	G1	H	I	ØM	ØK*	W*	X*	SW	ØLW	ØRA	WEIGHT	CS	SS	
																					Carbon Steel	Stainless Steel	
																						ITEM CODE	
GE3L 6L	6	MPa 50	mm 35 14,5 76 42,4 11 49 30 48,5 110 87	M12x1,5	5,25 4,5 34 9 6 6	kg 0,53	GE3DDL04011A000	GE3DDL04044A000															
		Psi 7250	inch 1,38 0,57 2,99 1,67 0,43 1,93 1,18 1,91 4,33 3,43		0,21 0,18 1,34 0,35 0,24 0,24	lb 1,17																	
GE3L 8L	6	MPa 50	mm 35 14,5 76 42,4 11 49 30 48,5 110 87	M14x1,5	5,25 4,5 34 9 6 8	kg 0,532	GE3DDL14011A000	GE3DDL14044A000															
		Psi 7250	inch 1,38 0,57 2,99 1,67 0,43 1,93 1,18 1,91 4,33 3,43		0,21 0,18 1,34 0,35 0,24 0,31	lb 1,17																	
GE3L 10L	6	MPa 50	mm 35 14,5 76 42,4 11 49 30 48,5 110 87	M16x1,5	5,25 4,5 34 9 6 10	kg 0,535	GE3DDR14011A000	GE3DDR14044A000															
		Psi 7250	inch 1,38 0,57 2,99 1,67 0,43 1,93 1,18 1,91 4,33 3,43		0,21 0,18 1,34 0,35 0,24 0,39	lb 1,18																	
GE3L 10L	10	MPa 50	mm 40 17,4 76,5 44,4 11 54,25 35 54,5 110 93	M16x1,5	5,25 4,5 34 9 10 10	kg 0,633	GE3DDL24011A000	GE3DDL24044A000															
		Psi 7250	inch 1,57 0,69 3,01 1,75 0,43 2,14 1,38 2,15 4,33 3,66		0,21 0,18 1,34 0,35 0,39 0,39	lb 1,40																	
GE3L 12L	10	MPa 50	mm 40 17,4 79,5 44,4 11 54,25 35 54,5 110 93	M18x1,5	5,25 4,5 34 9 10 12	kg 0,665	GE3DDL34011A000	GE3DDL34044A000															
		Psi 7250	inch 1,57 0,69 3,13 1,75 0,43 2,14 1,38 2,15 4,33 3,66		0,21 0,18 1,34 0,35 0,39 0,47	lb 1,47																	
GE3L 15L	13	MPa 50	mm 43 19,7 87 48,4 11 57 37 59 110 97	M22x1,5	5,25 5 36 9 13 15	kg 0,722	GE3DDL43011A000	GE3DDL43044A000															
		Psi 7250	inch 1,69 0,78 3,43 1,91 0,43 2,24 1,46 2,32 4,33 3,82		0,21 0,20 1,42 0,35 0,51 0,59	lb 1,59																	
GE3L 18L	13	MPa 50	mm 43 19,7 87 48,4 11 57 37 59 110 97	M26x1,5	5,25 5 36 9 13 18	kg 0,861	GE3DDL53011A000	GE3DDL53044A000															
		Psi 7250	inch 1,69 0,78 3,43 1,91 0,43 2,24 1,46 2,32 4,33 3,82		0,21 0,20 1,42 0,35 0,51 0,71	lb 1,90																	
GE3L 22L	20	MPa 35 40	mm 57 25,4 110 62,5 14 75,5 49 75 180 105	M30x2	6,25 6 50 14 20 22	kg 1,639	GE3DDL64011A000	GE3DDL63044A000															
		Psi 5075 5800	inch 2,24 1,00 4,33 2,46 0,55 2,97 1,93 2,95 7,09 4,13		0,25 0,24 1,97 0,55 0,79 0,87	lb 3,61																	
GE3L 28L	25	MPa 35	mm 65 29,5 117 66,5 14 83,5 55 89 180 113	M36x2	6,25 6 50 14 25 28	kg 2,361	GE3DDL73011A000	GE3DDL73044A000															
		Psi 5075	inch 2,56 1,16 4,61 2,62 0,55 3,29 2,17 3,50 7,09 4,45		0,25 0,24 1,97 0,55 0,98 1,10	lb 5,21																	
GE3L 35L	25	MPa 35	mm 65 29,5 119 66,5 14 83,5 55 89 180 113	M45x2	6,25 6 50 14 25 35	kg 2,361	GE3DDL83011A000	GE3DDL83044A000															
		Psi 5075	inch 2,56 1,16 4,69 2,62 0,55 3,29 2,17 3,50 7,09 4,45		0,25 0,24 1,97 0,55 0,98 1,38	lb 5,21																	

Size only for carbon steel valves with fixing holes included.

**FIXING HOLES INCLUDED**



GE3 DIN/ISO 228 BSP

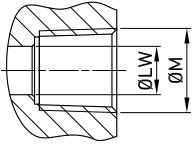
Assembling threads per ISO5211

CS Carbon Steel SS Stainless Steel

TYPE	DN	PN	A	B	C	D	E	F	G	G1	H	I	ØM	ØS	ØT	ØK*	W*	X*	ISO5211	SW	ØLW	WEIGHT	ITEM CODE	
GE3L G 1/4	6	MPa 50	mm 35	14,5	71	42,4	11	49	30	48,5	110	87	G	M4	35	5,25	4,5	34	F03	9	6	kg 0,536	GE3GGT14011AF50	GE3GGT14044AF50
		Psi 7250	inch 1,38	0,57	2,80	1,67	0,43	1,93	1,18	1,91	4,33	3,43	1/4	M4	1,38	0,21	0,18	1,34	F03	0,35	0,24	lb 1,18		
GE3L G 3/8	10	MPa 50	mm 40	17,4	73	44,4	11	54,25	35	54,5	110	93	G	M5	36	5,25	4,5	34	F03	9	10	kg 0,695	GE3GGT24011AF50	GE3GGT24044AF50
		Psi 7250	inch 1,57	0,69	2,87	1,75	0,43	2,14	1,38	2,15	4,33	3,66	3/8	M5	1,42	0,21	0,18	1,34	F03	0,35	0,39	lb 1,53		
GE3L G 1/2	13	MPa 50	mm 43	19,7	83	48,4	11	57	37	58,5	110	97	G	M5	36	5,25	5	36	F03	9	13	kg 0,825	GE3GGT33011AF50	GE3GGT33044AF50
		Psi 7250	inch 1,69	0,78	3,27	1,91	0,43	2,24	1,46	2,30	4,33	3,82	1/2	M5	1,42	0,21	0,20	1,42	F03	0,35	0,51	lb 1,82		
GE3L G 3/4	20	MPa 42	mm 57	25,4	95	62,5	14	75,5	49	75	180	105	G	M6	50	6,25	6	50	F05	14	20	kg 1,583	GE3GGT44011AF50	GE3GGT43044AF50
		Psi 6090	inch 2,24	1,00	3,74	2,46	0,55	2,97	1,93	2,95	7,09	4,13	3/4	M6	1,97	0,25	0,24	1,97	F05	0,55	0,79	lb 3,49		
GE3L G 1	25	MPa 42	mm 65	29,5	112	66,5	14	83,5	55	89	180	113	G 1	M6	50	6,25	6	50	F05	14	25	kg 2,421	GE3GGT53011AF50	GE3GGT53044AF50
		Psi 6090	inch 2,56	1,16	4,41	2,62	0,55	3,29	2,17	3,50	7,09	4,45	G 1	M6	1,97	0,25	0,24	1,97	F05	0,55	0,98	lb 5,34		
GE3L G 1 1/4 R	25	MPa 35	mm 65	29,5	120	66,5	14	83,5	55	89	180	113	G 1	M6	50	6,25	6	50	F05	14	25	kg 2,601	GE3GGR63011AF50	GE3GGR63044AF50
		Psi 5075	inch 2,56	1,16	4,72	2,62	0,55	3,29	2,17	3,50	7,09	4,45	1/4	M6	1,97	0,25	0,24	1,97	F05	0,55	0,98	lb 5,73		
GE3L G 1 1/2 R	25	MPa 35	mm 65	29,5	124	66,5	14	83,5	55	89	180	113	G 1	M6	50	6,25	6	50	F05	14	25	kg 2,756	GE3GGR73011AF50	GE3GGR73044AF50
		Psi 5075	inch 2,56	1,16	4,88	2,62	0,55	3,29	2,17	3,50	7,09	4,45	1/2	M6	1,97	0,25	0,24	1,97	F05	0,55	0,98	lb 6,08		

Size only for carbon steel valves with fixing holes included.

FIXING HOLES INCLUDED



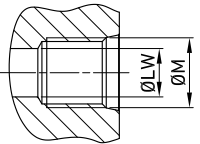
### GE3 ANSI/ASME B1.20.1 NPT

Assembling threads per ISO5211

TYPE	DN	PN	A	B	C	D	E	F	G	G1	H	I	ØM	ØS	ØT	ØK*	W*	X*	ISO5211	SW	ØLW	WEIGHT	CS	SS
																							Carbon Steel	Stainless Steel
																							ITEM CODE	
GE3L N 1/4	6	MPa 50	mm 35 14,5 71 42,4 11 49 30 48,5 110 87	N	M4	35 5,25 4,5 34	F03	9 6	kg 0,536	GE3NNT14011AF50	GE3NNT14044AF50													
		Psi 7250	inch 1,38 0,57 2,80 1,67 0,43 1,93 1,18 1,91 4,33 3,43	1/4	M4	1,38 0,21 0,18 1,34	F03	0,35 0,24	lb 1,18															
GE3L N 3/8	10	MPa 50	mm 40 17,4 73 44,4 11 54,3 35 54,5 110 93	N	M5	36 5,25 4,5 34	F03	9 10	kg 0,695	GE3NNT24011AF50	GE3NNT24044AF50													
		Psi 7250	inch 1,57 0,69 2,87 1,75 0,43 2,14 1,38 2,15 4,33 3,66	3/8	M5	1,42 0,21 0,18 1,34	F03	0,35 0,39	lb 1,53															
GE3L N 1/2	13	MPa 50	mm 43 19,7 83 48,4 11 57 37 58,5 110 97	N	M5	36 5,25 5 36	F03	9 13	kg 0,825	GE3NNT33011AF50	GE3NNT33044AF50													
		Psi 7250	inch 1,69 0,78 3,27 1,91 0,43 2,24 1,46 2,30 4,33 3,82	1/2	M5	1,42 0,21 0,20 1,42	F03	0,35 0,51	lb 1,82															
GE3L N 3/4	20	MPa 42	mm 57 25,4 95 62,5 14 75,5 49 75 180 105	N	M6	50 6,25 6 50	F05	14 20	kg 1,583	GE3NNT 44011AF50	GE3NNT43044AF50													
		Psi 6090	inch 2,24 1,00 3,74 2,46 0,55 2,97 1,93 2,95 7,09 4,13	3/4	M6	1,97 0,25 0,24 1,97	F05	0,55 0,79	lb 3,49															
GE3L N 1	25	MPa 42	mm 65 29,5 112 66,5 14 83,5 55 89 180 113	N	M6	50 6,25 6 50	F05	14 25	kg 2,421	GE3NNT53011AF50	GE3NNT53044AF50													
		Psi 6090	inch 2,56 1,16 4,41 2,62 0,55 3,29 2,17 3,50 7,09 4,45	1	M6	1,97 0,25 0,24 1,97	F05	0,55 0,98	lb 5,34															
GE3L N 1/4 R	25	MPa 35	mm 65 29,5 120 66,5 14 83,5 55 89 180 113	N 1	M6	50 6,25 6 50	F05	14 25	kg 2,601	GE3NNR63011AF50	GE3NNR63044AF50													
		Psi 5075	inch 2,56 1,16 4,72 2,62 0,55 3,29 2,17 3,50 7,09 4,45	1/4	M6	1,97 0,25 0,24 1,97	F05	0,55 0,98	lb 5,73															
GE3L N 1/2 R	25	MPa 35	mm 65 29,5 124 66,5 14 83,5 55 89 180 113	N 1	M6	50 6,25 6 50	F05	14 25	kg 2,756	GE3NNR73011AF50	GE3NNR73044AF50													
		Psi 5075	inch 2,56 1,16 4,88 2,62 0,55 3,29 2,17 3,50 7,09 4,45	1/2	M6	1,97 0,25 0,24 1,97	F05	0,55 0,98	lb 6,08															

Size only for carbon steel valves with fixing holes included.

FIXING HOLES INCLUDED



### GE3 SAE J1926-1

Assembling threads per ISO5211

TYPE	DN	PN	A	B	C	D	E	F	G	G1	H	I	ØM	ØS	ØT	ØK*	W*	X*	ISO5211	SW	ØLW	WEIGHT	CS	SS
																							Carbon Steel	Stainless Steel
																							ITEM CODE	
GE3L SAE4	6	MPa 50	mm 35 14,5 71 42,4 11 49 30 48,5 110 87	7/16	M4	35 5,25 4,5 34	F03	9 6	kg 0,512	GE3EEE04011AF50	GE3EEE04044AF50													
		Psi 7250	inch 1,38 0,57 2,80 1,67 0,43 1,93 1,18 1,91 4,33 3,43	UNF	M4	1,38 0,21 0,18 1,34	F03	0,35 0,24	lb 1,13															
GE3L SAE6	10	MPa 50	mm 40 17,5 73 44,8 11 54,3 35 54,5 110 93	9/16	M4	35 5,25 4,5 34	F03	9 10	kg 0,695	GE3EEE14011AF50	GE3EEE14044AF50													
		Psi 7250	inch 1,57 0,69 2,87 1,76 0,43 2,14 1,38 2,15 4,33 3,66	UNF	M4	1,38 0,21 0,18 1,34	F03	0,35 0,39	lb 1,53															
GE3L SAE8	13	MPa 50	mm 43 19,7 83 48,4 11 57 37 58,5 110 97	3/4	M5	36 5,25 5 36	F03	9 13	kg 0,825	GE3EEE23011AF50	GE3EEE23044AF50													
		Psi 7250	inch 1,69 0,78 3,27 1,91 0,43 2,24 1,46 2,30 4,33 3,82	UNF	M5	1,42 0,21 0,20 1,42	F03	0,35 0,51	lb 1,82															
GE3L SAE12	20	MPa 42	mm 57 25,4 95 62,5 14 75,5 49 75 180 105	1 1/16	M5	36 6,25 6 50	F03	14 20	kg 1,583	GE3EEE34011AF50	GE3EEE34044AF50													
		Psi 6090	inch 2,24 1,00 3,74 2,46 0,55 2,97 1,93 2,95 7,09 4,13	UNF	M5	1,42 0,25 0,24 1,97	F03	0,55 0,79	lb 3,49															
GE3L SAE16	25	MPa 42	mm 65 29,4 112 66,5 14 83,5 55 89 180 113	1 5/16	M6	50 6,25 6 50	F05	14 25	kg 2,421	GE3EEE43011AF50	GE3EEE43044AF50													
		Psi 6090	inch 2,56 1,16 4,41 2,62 0,55 3,29 2,17 3,50 7,09 4,45	UNF	M6	1,97 0,25 0,24 1,97	F05	0,55 0,98	lb 5,34															
GE3L SAE20R	25	MPa 35	mm 65 29,4 120 66,5 14 83,5 55 89 180 113	1 5/8	M6	50 6,25 6 50	F05	14 25	kg 2,601	GE3EEE53011AF50	GE3EEE53044AF50													
		Psi 5075	inch 2,56 1,16 4,72 2,62 0,55 3,29 2,17 3,50 7,09 4,45	UNF	M6	1,97 0,25 0,24 1,97	F05	0,55 0,98	lb 5,73															
GE3L SAE24R	25	MPa 35	mm 65 29,4 124 66,5 14 83,5 55 89 180 113	1 7/8	M6	50 6,25 6 50	F05	14 25	kg 2,756	GE3EEE63011AF50	GE3EEE63044AF50													
		Psi 5075	inch 2,56 1,16 4,88 2,62 0,55 3,29 2,17 3,50 7,09 4,45	UNF	M6	1,97 0,25 0,24 1,97	F05	0,55 0,98	lb 6,08															

Size only for carbon steel valves with fixing holes included.

FIXING HOLES INCLUDED

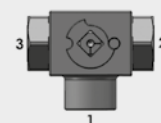
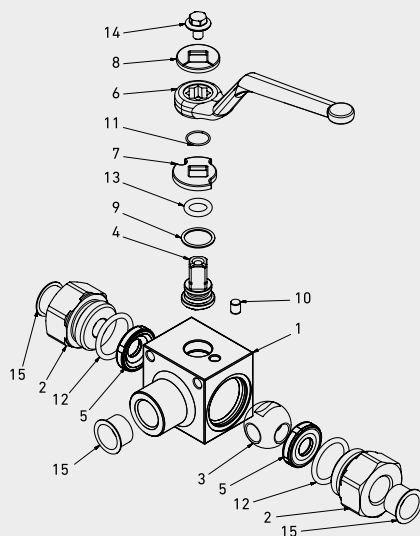


# GE3T

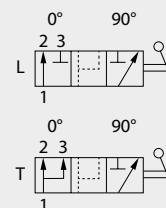
## 3-WAY HIGH PRESSURE BALL VALVES

Edition. 21.0

### STANDARD COMPOSITION OF VALVE



**WARNING!**  
Pressure inlet only from center port 1



#### CS Carbon Steel

- Type: ball valve 3 way (T scheme)
- Sizes: from DN6 up to DN25
- Ends: BSP-NPT-SAE-DIN
- Pressure: up to PN500
- Temp range: from -20°C to +100°C
- Treatment: Galvanized

#### SS Stainless Steel

- Type: ball valve 3 way (T scheme)
- Sizes: from DN6 up to DN25
- Ends: BSP-NPT-SAE-DIN
- Pressure: up to PN500
- Temp range: from -30°C to +100°C

POS	DESCRIPTION	Q.TY	CS	SS
			Carbon Steel	Stainless Steel
			MATERIAL	
1	Body	1	1,0737	1,4404
2	Adapter	2	1,0737	1,4404
3	Ball	1	1,0737	1,4404
4	Stem	1	1,0737	1,4404
5	Ball seat	2	POM	POM
6	Handle	1	ZINC	ZINC
7	Washer	1	1,0116	1,4404
8	Washer	1	1,0116	1,4404
9	Stem ring	1	POM	POM
10	Pin	1	1,0737	1,4404
11	Seeger	1	1,4404	1,4404
12	Adapter o-ring	2	NBR	NBR
13	Stem o-ring	1	NBR	NBR
14	Screw	1	Din 6921 8.8	Din 6921 A4
15	Caps	3	PVC	PVC





CODE DESCRIPTION STRUCTURE

GE3	G 1/2	DN13	1	1	1	1	A	B
-----	-------	------	---	---	---	---	---	---

Type and way of valve

GE3 3-way T scheme

Ends

GAS DIN/ ISO 228 BSP	NPT ANSI /ASME B1.20.1	SAE J1926-1	DIN 2353 HEAVY SERIES	DIN 2353 LIGHT SERIES
G 1/4	N 1/4	SAE4	8S	6L
G 3/8	N 3/8	SAE6	10S	8L
G 1/2	N 1/2	SAE8	12S	10L
G 3/4	N 3/4	SAE12	14S	12L
G 1	N 1	SAE16	16S	15L
G 1 1/4 R	N 1 1/4 R	SAE20R	20S	18L
G 1 1/2 R	N 1 1/2 R	SAE24R	25S	22L
			30S	28L
			38S	35L

Size

from DN6 to DN25

Body Material

- 1 = 1,0737
- 4 = 1,4404

Adapter material

- 1 = 1,0737
- 4 = 1,4404

Stem material

- 1 = 1,0737 4 = 1,4404\*
- 4 = 1,4404

Ball Material

- 1 = 1,0737 4 = 1,4404\*
- 4 = 1,4404

Seat material

A = POM D = PEEK\* G = PA612\* K = GEMPTFE\* C = PTFE\*

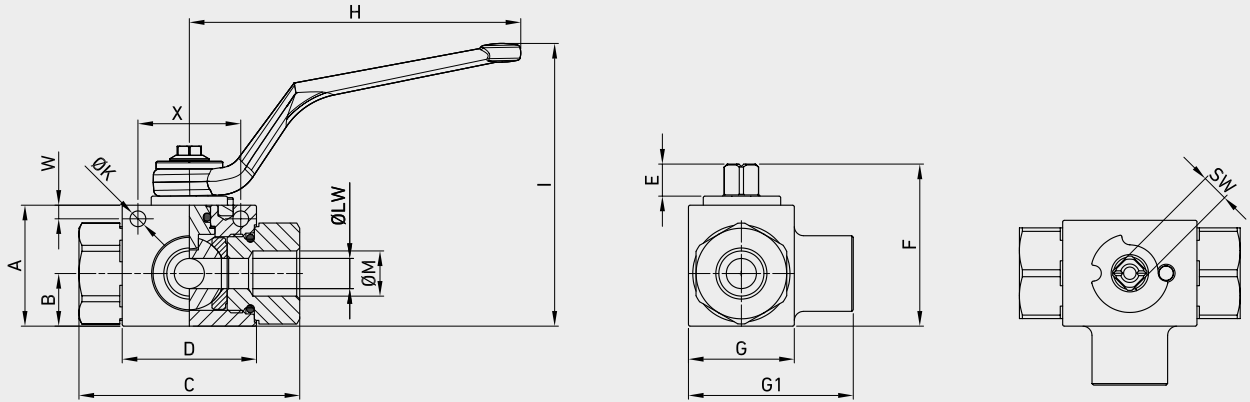
Seal material

B = NBR E = FKM\* F = EPDM\* L = MVQ\*

\*On request

- Reduced bore
- Special threads
- Pressure class up to PN40 MPa
- Pneumatic and electrical actuator
- Security block
- Locking device
- Fixing holes for SS valves

For further special requests please consult our technical/commercial service.

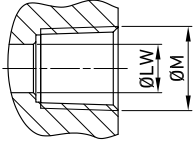


GE3 DIN/ISO 228 BSP

TYPE	DN	PN												<span style="border: 1px solid black; border-radius: 50%; padding: 2px;">CS</span> Carbon Steel <span style="border: 1px solid black; border-radius: 50%; padding: 2px; margin-left: 20px;">SS</span> Stainless Steel							
			A	B	C	D	E	F	G	G1	H	I	ØM	ØK*	W*	X*	SW	ØLW	WEIGHT	ITEM CODE	
GE3T G 1/4	6	MPa 50	mm 35	14,5	71	42,4	11	49	30	48,5	110	87	G 1/4	5,25	4,5	34	9	6	kg 0,536	GEAGGT14011A000	GEAGGT14044A000
		Psi 7250	inch 1,38	0,57	2,80	1,67	0,43	1,93	1,18	1,91	4,33	3,43		0,21	0,18	1,34	0,35	0,24	lb 1,18		
GE3T G 3/8	10	MPa 50	mm 40	17,4	73	44,4	11	54,25	35	54,5	110	93	G 3/8	5,25	4,5	34	9	10	kg 0,695	GEAGGT24011A000	GEAGGT24044A000
		Psi 7250	inch 1,57	0,69	2,87	1,75	0,43	2,14	1,38	2,15	4,33	3,66		0,21	0,18	1,34	0,35	0,39	lb 1,53		
GE3T G 1/2	13	MPa 50	mm 43	19,7	83	48,4	11	57	37	58,5	110	97	G 1/2	5,25	5	36	9	13	kg 0,825	GEAGGT33011A000	GEAGGT33044A000
		Psi 7250	inch 1,69	0,78	3,27	1,91	0,43	2,24	1,46	2,30	4,33	3,82		0,21	0,20	1,42	0,35	0,51	lb 1,82		
GE3T G 3/4	20	MPa 42	mm 57	25,4	95	62,5	14	75,5	49	75	180	105	G 3/4	6,25	6	50	14	20	kg 1,583	GEAGGT44011A000	GEAGGT43044A000
		Psi 6090	inch 2,24	1,00	3,74	2,46	0,55	2,97	1,93	2,95	7,09	4,13		0,25	0,24	1,97	0,55	0,79	lb 3,49		
GE3T G 1	25	MPa 42	mm 65	29,5	112	66,5	14	83,5	55	89	180	113	G 1	6,25	6	50	14	25	kg 2,421	GEAGGT53011A000	GEAGGT53044A000
		Psi 6090	inch 2,56	1,16	4,41	2,62	0,55	3,29	2,17	3,50	7,09	4,45		0,25	0,24	1,97	0,55	0,98	lb 5,34		
GE3T G 1 1/4 R	25	MPa 35	mm 65	29,5	120	66,5	14	83,5	55	89	180	113	G 1 1/4	6,25	6	50	14	25	kg 2,601	GEAGGR63011A000	GEAGGR63044A000
		Psi 5075	inch 2,56	1,16	4,72	2,62	0,55	3,29	2,17	3,50	7,09	4,45		0,25	0,24	1,97	0,55	0,98	lb 5,73		
GE3T G 1 1/2 R	25	MPa 35	mm 65	29,5	124	66,5	14	83,5	55	89	180	113	G 1 1/2	6,25	6	50	14	25	kg 2,756	GEAGGR73011A000	GEAGGR73044A000
		Psi 5075	inch 2,56	1,16	4,88	2,62	0,55	3,29	2,17	3,50	7,09	4,45		0,25	0,24	1,97	0,55	0,98	lb 6,08		

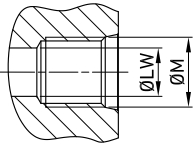
Size only for carbon steel valves with fixing holes included.

FIXING HOLES INCLUDED


**GE3 ANSI/ASME B1.20.1 NPT**

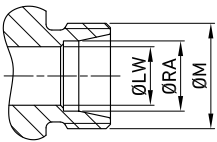
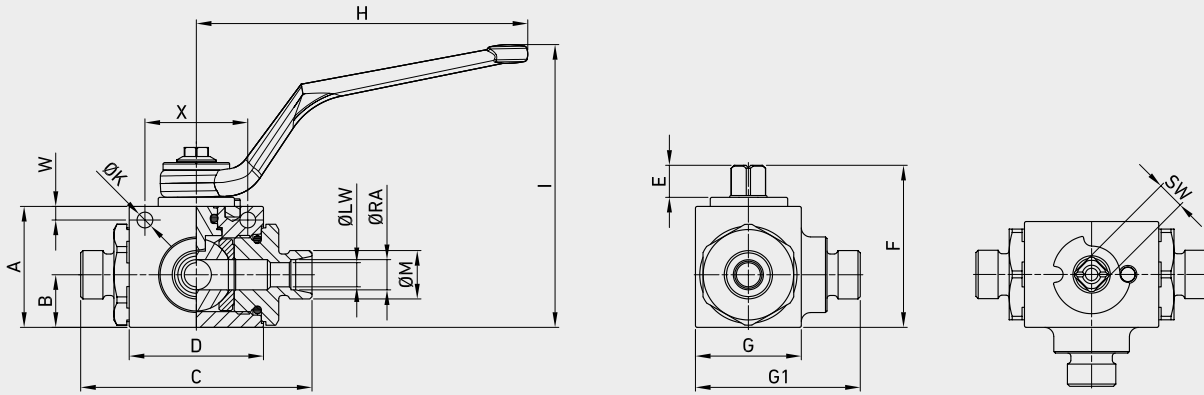
																				CS	SS
																				Carbon Steel	Stainless Steel
TYPE	DN	PN	A	B	C	D	E	F	G	G1	H	I	ØM	ØK*	W*	X*	SW	ØLW	WEIGHT	ITEM CODE	
GE3T N 1/4	6	MPa 50	mm 35	14,5	71	42,4	11	49	30	48,5	110	87	N 1/4	5,25	4,5	34	9	6	kg 0,536	GEANNT15011A000	GEANNT15044A000
		Psi 7250	inch 1,38	0,57	2,80	1,67	0,43	1,93	1,18	1,91	4,33	3,43		0,21	0,18	1,34	0,35	0,24	lb 1,18		
GE3T N 3/8	10	MPa 50	mm 40	17,4	73	44,4	11	54,25	35	54,5	110	93	N 3/8	5,25	4,5	34	9	10	kg 0,695	GEANNT24011A000	GEANNT25044A000
		Psi 7250	inch 1,57	0,69	2,87	1,75	0,43	2,14	1,38	2,15	4,33	3,66		0,21	0,18	1,34	0,35	0,39	lb 1,53		
GE3T N 1/2	13	MPa 50	mm 43	19,7	83	48,4	11	57	37	58,5	110	97	N 1/2	5,25	5	36	9	13	kg 0,825	GEANNT33011A000	GEANNT33044A000
		Psi 7250	inch 1,69	0,78	3,27	1,91	0,43	2,24	1,46	2,30	4,33	3,82		0,21	0,20	1,42	0,35	0,51	lb 1,82		
GE3T N 3/4	20	MPa 42	mm 57	25,4	95	62,5	14	75,5	49	75	180	105	N 3/4	6,25	6	50	14	20	kg 1,583	GEANNT44011A000	GEANNT46044A000
		Psi 6090	inch 2,24	1,00	3,74	2,46	0,55	2,97	1,93	2,95	7,09	4,13		0,25	0,24	1,97	0,55	0,79	lb 3,49		
GE3T N 1	25	MPa 42	mm 65	29,5	112	66,5	14	83,5	55	89	180	113	N 1	6,25	6	50	14	25	kg 2,421	GEANNT53011A000	GEANNT56044A000
		Psi 6090	inch 2,56	1,16	4,41	2,62	0,55	3,29	2,17	3,50	7,09	4,45		0,25	0,24	1,97	0,55	0,98	lb 5,34		
GE3T N 1/4 R	25	MPa 35	mm 65	29,5	120	66,5	14	83,5	55	89	180	113	N 1	6,25	6	50	14	25	kg 2,601	GEANNR63011A000	GEANNR63044A000
		Psi 5075	inch 2,56	1,16	4,72	2,62	0,55	3,29	2,17	3,50	7,09	4,45		1/4	0,25	0,24	1,97	0,55	0,98		
GE3T N 1/2 R	25	MPa 35	mm 65	29,5	124	66,5	14	83,5	55	89	180	113	N 1	6,25	6	50	14	25	kg 2,756	GEANNR73011A000	GEANNR73044A000
		Psi 5075	inch 2,56	1,16	4,88	2,62	0,55	3,29	2,17	3,50	7,09	4,45		1/2	0,25	0,24	1,97	0,55	0,98		
																				FIXING HOLES INCLUDED	

Size only for carbon steel valves with fixing holes included.


**GE3 SAE J1926-1**

																				CS	SS
																				Carbon Steel	Stainless Steel
TYPE	DN	PN	A	B	C	D	E	F	G	G1	H	I	ØM	ØK*	W*	X*	SW	ØLW	WEIGHT	ITEM CODE	
GE3T SAE4	6	MPa 50	mm 35	14,5	71	42,4	11	49	30	48,5	110	87	7/16	5,25	4,5	34	9	6	kg 0,512	GEAEEE05011A000	GEAEEE05044A000
		Psi 7250	inch 1,38	0,57	2,80	1,67	0,43	1,93	1,18	1,91	4,33	3,43		UNF	0,21	0,18	1,34	0,35	0,24		
GE3T SAE6	10	MPa 50	mm 40	17,5	73	44,8	11	54,25	35	54,5	110	93	9/16	5,25	4,5	34	9	10	kg 0,695	GEAEEE15011A000	GEAEEE15044A000
		Psi 7250	inch 1,57	0,69	2,87	1,76	0,43	2,14	1,38	2,15	4,33	3,66		UNF	0,21	0,18	1,34	0,35	0,39		
GE3T SAE8	13	MPa 50	mm 43	19,7	83	48,4	11	57	37	58,5	110	97	3/4	5,25	5	36	9	13	kg 0,825	GEAEEE25011A000	GEAEEE25044A000
		Psi 7250	inch 1,69	0,78	3,27	1,91	0,43	2,24	1,46	2,30	4,33	3,82		UNF	0,21	0,20	1,42	0,35	0,51		
GE3T SAE12	20	MPa 42	mm 57	25,4	95	62,5	14	75,5	49	75	180	105	1 1/16	6,25	6	50	14	20	kg 1,583	GEAEEE36011A000	GEAEEE36044A000
		Psi 6090	inch 2,24	1,00	3,74	2,46	0,55	2,97	1,93	2,95	7,09	4,13		UNF	0,25	0,24	1,97	0,55	0,79		
GE3T SAE16	25	MPa 42	mm 65	29,4	112	66,5	14	83,5	55	89	180	113	1 5/16	6,25	6	50	14	25	kg 2,421	GEAEEE46011A000	GEAEEE46044A000
		Psi 6090	inch 2,56	1,16	4,41	2,62	0,55	3,29	2,17	3,50	7,09	4,45		UNF	0,25	0,24	1,97	0,55	0,98		
GE3T SAE20R	25	MPa 35	mm 65	29,4	120	66,5	14	83,5	55	89	180	113	1 5/8	6,25	6	50	14	25	kg 2,601	GEAEEE53011A000	GEAEEE53044A000
		Psi 5075	inch 2,56	1,16	4,72	2,62	0,55	3,29	2,17	3,50	7,09	4,45		UNF	0,25	0,24	1,97	0,55	0,98		
GE3T SAE24R	25	MPa 35	mm 65	29,4	124	66,5	14	83,5	55	89	180	113	1 7/8	6,25	6	50	14	25	kg 2,756	GEAEEE63011A000	GEAEEE63044A000
		Psi 5075	inch 2,56	1,16	4,88	2,62	0,55	3,29	2,17	3,50	7,09	4,45		UNF	0,25	0,24	1,97	0,55	0,98		
																				FIXING HOLES INCLUDED	

Size only for carbon steel valves with fixing holes included.

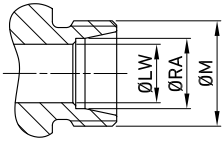


GE3 DIN 2353 HEAVY SERIES

TYPE	DN	PN	A	B	C	D	E	F	G	G1	H	I	ØM	ØK*	W*	X*	SW	ØLW	ØRA	WEIGHT	ITEM CODE	
																					CS	SS
GE3T 8S	6	MPa 50	mm 35	14,5	76	42,4	11	49	30	48,5	110	87	M16x1,5	5,25	4,5	34	9	4	8	kg 0,53	GEADDS05011A000	GEADDS05044A000
		Psi 7250	inch 1,38	0,57	2,99	1,67	0,43	1,93	1,18	1,91	4,33	3,43		0,21	0,18	1,34	0,35	0,16	0,31	lb 1,17		
GE3T 10S	6	MPa 50	mm 35	14,5	76	42,4	11	49	30	48,5	110	87	M18x1,5	5,25	4,5	34	9	6	10	kg 0,532	GEADDS15011A000	GEADDS15044A000
		Psi 7250	inch 1,38	0,57	2,99	1,67	0,43	1,93	1,18	1,91	4,33	3,43		0,21	0,18	1,34	0,35	0,24	0,39	lb 1,17		
GE3T 12S	8	MPa 50	mm 35	14,5	76	42,4	11	49	30	48,5	110	87	M20x1,5	5,25	4,5	34	9	8	12	kg 0,535	GEADDRS5011A000	GEADDRS5044A000
		Psi 7250	inch 1,38	0,57	2,99	1,67	0,43	1,93	1,18	1,91	4,33	3,43		0,21	0,18	1,34	0,35	0,31	0,47	lb 1,18		
GE3T 12S	10	MPa 50	mm 40	17,4	76	44,4	11	54,25	35	54,5	110	93	M20x1,5	5,25	4,5	34	9	10	12	kg 0,633	GEADDS25011A000	GEADDS25044A000
		Psi 7250	inch 1,57	0,69	2,99	1,75	0,43	2,14	1,38	2,15	4,33	3,66		0,21	0,18	1,34	0,35	0,39	0,47	lb 1,40		
GE3T 14S	10	MPa 50	mm 40	17,4	82,5	44,4	11	54,25	35	54,5	110	93	M22x1,5	5,25	4,5	34	9	10	14	kg 0,665	GEADDS35011A000	GEADDS35044A000
		Psi 7250	inch 1,57	0,69	3,25	1,75	0,43	2,14	1,38	2,15	4,33	3,66		0,21	0,18	1,34	0,35	0,39	0,55	lb 1,47		
GE3T 16S	13	MPa 50	mm 43	19,7	89	48,4	11	57	37	59	110	97	M24x1,5	5,25	5	36	9	13	16	kg 0,722	GEADDS45011A000	GEADDS45044A000
		Psi 7250	inch 1,69	0,78	3,50	1,91	0,43	2,24	1,46	2,32	4,33	3,82		0,21	0,20	1,42	0,35	0,51	0,63	lb 1,59		
GE3T 20S	13	MPa 50	mm 43	19,7	93	48,4	11	57	37	59	110	97	M30x2	5,25	5	36	9	13	20	kg 0,861	GEADDS55011A000	GEADDS55044A000
		Psi 7250	inch 1,69	0,78	3,66	1,91	0,43	2,24	1,46	2,32	4,33	3,82		0,21	0,20	1,42	0,35	0,51	0,79	lb 1,90		
GE3T 25S	20	MPa 35   40	mm 57	25,4	111	62,5	14	75,5	49	75	180	105	M36x2	6,25	6	50	14	20	25	kg 1,639	GEADDS63011A000	GEADDS64044A000
		Psi 5075   5800	inch 2,24	1,00	4,37	2,46	0,55	2,97	1,93	2,95	7,09	4,13		0,25	0,24	1,97	0,55	0,79	0,98	lb 3,61		
GE3T 30S	25	MPa 35	mm 65	29,5	121	66,5	14	83,5	55	89	180	113	M42x2	6,25	6	50	14	25	30	kg 2,361	GEADDS73011A000	GEADDS73044A000
		Psi 5075	inch 2,56	1,16	4,76	2,62	0,55	3,29	2,17	3,50	7,09	4,45		0,25	0,24	1,97	0,55	0,98	1,18	lb 5,21		
GE3T 38S	25	MPa 35	mm 65	29,5	131	66,5	14	83,5	55	89	180	113	M52x2	6,25	6	50	14	25	38	kg 2,655	GEADDS83011A000	GEADDS83044A000
		Psi 5075	inch 2,56	1,16	5,16	2,62	0,55	3,29	2,17	3,50	7,09	4,45		0,25	0,24	1,97	0,55	0,98	1,50	lb 5,85		

Size only for carbon steel valves with fixing holes included.

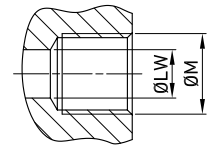
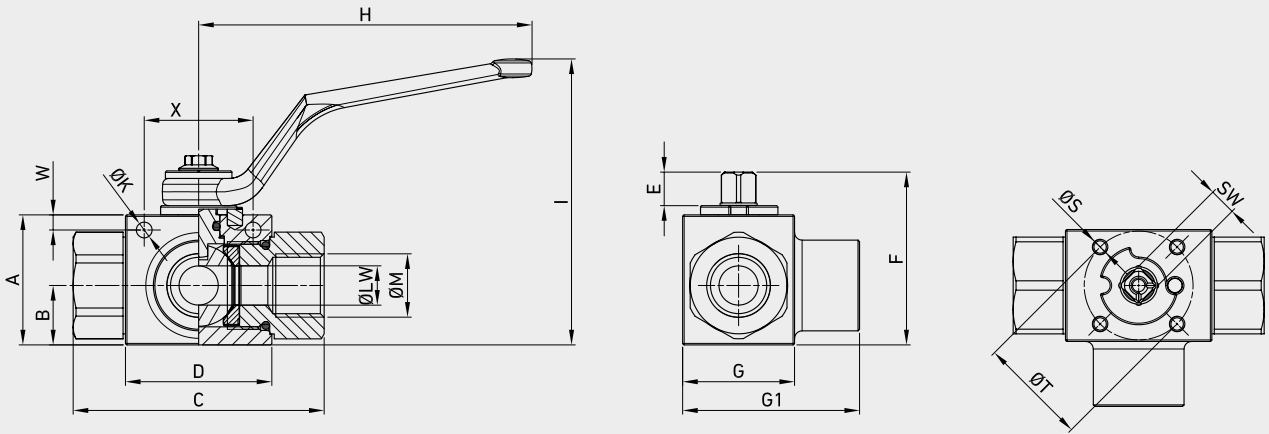
FIXING HOLES INCLUDED


**GE3 DIN 2353 LIGHT SERIES**

TYPE	DN	PN	A	B	C	D	E	F	G	G1	H	I	ØM	ØK*	W*	X*	SW	ØLW	ØRA	WEIGHT	CS	SS	
																					Carbon Steel	Stainless Steel	
																						ITEM CODE	
GE3T 6L	6	MPa 50	mm 35	14,5	76	42,4	11	49	30	48,5	110	87	M12x1,5	5,25	4,5	34	9	6	6	kg 0,53	GEADDL05011A000	GEADDL05044A000	
		Psi 7250	inch 1,38	0,57	2,99	1,67	0,43	1,93	1,18	1,91	4,33	3,43		0,21	0,18	1,34	0,35	0,24	0,24	lb 1,17			
GE3T 8L	6	MPa 50	mm 35	14,5	76	42,4	11	49	30	48,5	110	87	M14x1,5	5,25	4,5	34	9	6	8	kg 0,532	GEADDL15011A000	GEADDL15044A000	
		Psi 7250	inch 1,38	0,57	2,99	1,67	0,43	1,93	1,18	1,91	4,33	3,43		0,21	0,18	1,34	0,35	0,24	0,31	lb 1,17			
GE3T 10L	6	MPa 50	mm 35	14,5	76	42,4	11	49	30	48,5	110	87	M16x1,5	5,25	4,5	34	9	6	10	kg 0,535	GEADDRL5011A000	GEADDRL5044A000	
		Psi 7250	inch 1,38	0,57	2,99	1,67	0,43	1,93	1,18	1,91	4,33	3,43		0,21	0,18	1,34	0,35	0,24	0,39	lb 1,18			
GE3T 10L	10	MPa 50	mm 40	17,4	76,5	44,4	11	54,25	35	54,5	110	93	M16x1,5	5,25	4,5	34	9	10	10	kg 0,633	GEADDL25011A000	GEADDL25044A000	
		Psi 7250	inch 1,57	0,69	3,01	1,75	0,43	2,14	1,38	2,15	4,33	3,66		0,21	0,18	1,34	0,35	0,39	0,39	lb 1,40			
GE3T 12L	10	MPa 50	mm 40	17,4	79,5	44,4	11	54,25	35	54,5	110	93	M18x1,5	5,25	4,5	34	9	10	12	kg 0,665	GEADDL35011A000	GEADDL35044A000	
		Psi 7250	inch 1,57	0,69	3,13	1,75	0,43	2,14	1,38	2,15	4,33	3,66		0,21	0,18	1,34	0,35	0,39	0,47	lb 1,47			
GE3T 15L	13	MPa 50	mm 43	19,7	87	48,4	11	57	37	59	110	97	M22x1,5	5,25	5	36	9	13	15	kg 0,722	GEADDL45011A000	GEADDL43044A000	
		Psi 7250	inch 1,69	0,78	3,43	1,91	0,43	2,24	1,46	2,32	4,33	3,82		0,21	0,20	1,42	0,35	0,51	0,59	lb 1,59			
GE3T 18L	13	MPa 50	mm 43	19,7	87	48,4	11	57	37	59	110	97	M26x1,5	5,25	5	36	9	13	18	kg 0,861	GEADDL53011A000	GEADDL55044A000	
		Psi 7250	inch 1,69	0,78	3,43	1,91	0,43	2,24	1,46	2,32	4,33	3,82		0,21	0,20	1,42	0,35	0,51	0,71	lb 1,90			
GE3T 22L	20	MPa 35 40	mm 57	25,4	110	62,5	14	75,5	49	75	180	105	M30x2	6,25	6	50	14	20	22	kg 1,639	GEADDL63011A000	GEADDL64044A000	
		Psi 5075 5800	inch 2,24	1,00	4,33	2,46	0,55	2,97	1,93	2,95	7,09	4,13		0,25	0,24	1,97	0,55	0,79	0,87	lb 3,61			
GE3T 28L	25	MPa 35	mm 65	29,5	117	66,5	14	83,5	55	89	180	113	M36x2	6,25	6	50	14	25	28	kg 2,361	GEADDL73011A000	GEADDL73044A000	
		Psi 5075	inch 2,56	1,16	4,61	2,62	0,55	3,29	2,17	3,50	7,09	4,45		0,25	0,24	1,97	0,55	0,98	1,10	lb 5,21			
GE3T 35L	25	MPa 35	mm 65	29,5	119	66,5	14	83,5	55	89	180	113	M45x2	6,25	6	50	14	25	35	kg 2,361	GEADDL83011A000	GEADDL83044A000	
		Psi 5075	inch 2,56	1,16	4,69	2,62	0,55	3,29	2,17	3,50	7,09	4,45		0,25	0,24	1,97	0,55	0,98	1,38	lb 5,21			

Size only for carbon steel valves with fixing holes included.

**FIXING HOLES INCLUDED**



GE3 DIN/ISO 228 BSP

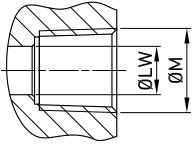
Assembling threads per ISO5211

CS Carbon Steel SS Stainless Steel

TYPE	DN	PN	A	B	C	D	E	F	G	G1	H	I	ØM	ØS	ØT	ØK*	W*	X*	ISO5211	SW	ØLW	WEIGHT	ITEM CODE	
GE3T G 1/4	6	MPa 50	mm 35	14,5	71	42,4	11	49	30	48,5	110	87	G	M4	35	5,25	4,5	34	F03	9	6	kg 0,536	GEAGGT15011AF50	GEAGGT15044AF50
		Psi 7250	inch 1,38	0,57	2,80	1,67	0,43	1,93	1,18	1,91	4,33	3,43	1/4	M4	1,38	0,21	0,18	1,34				0,35		
GE3T G 3/8	10	MPa 50	mm 40	17,4	73	44,4	11	54,25	35	54,5	110	93	G	M5	36	5,25	4,5	34	F03	9	10	kg 0,695	GEAGGT24011AF50	GEAGGT25044AF50
		Psi 7250	inch 1,57	0,69	2,87	1,75	0,43	2,14	1,38	2,15	4,33	3,66	3/8	M5	1,42	0,21	0,18	1,34				0,35		
GE3T G 1/2	13	MPa 50	mm 43	19,7	83	48,4	11	57	37	58,5	110	97	G	M5	36	5,25	5	36	F03	9	13	kg 0,825	GEAGGT35011AF50	GEAGGT35044AF50
		Psi 7250	inch 1,69	0,78	3,27	1,91	0,43	2,24	1,46	2,30	4,33	3,82	1/2	M5	1,42	0,21	0,20	1,42				0,35		
GE3T G 3/4	20	MPa 42	mm 57	25,4	95	62,5	14	75,5	49	75	180	105	G	M6	50	6,25	6	50	F05	14	20	kg 1,583	GEAGGT45011AF50	GEAGGT45044AF50
		Psi 6090	inch 2,24	1,00	3,74	2,46	0,55	2,97	1,93	2,95	7,09	4,13	3/4	M6	1,97	0,25	0,24	1,97				0,55		
GE3T G 1	25	MPa 42	mm 65	29,5	112	66,5	14	83,5	55	89	180	113	G 1	M6	50	6,25	6	50	F05	14	25	kg 2,421	GEAGGT53011AF50	GEAGGT56044AF50
		Psi 6090	inch 2,56	1,16	4,41	2,62	0,55	3,29	2,17	3,50	7,09	4,45	G 1	M6	1,97	0,25	0,24	1,97				0,55		
GE3T G 1 1/4 R	25	MPa 35	mm 65	29,5	120	66,5	14	83,5	55	89	180	113	G 1	M6	50	6,25	6	50	F05	14	25	kg 2,601	GEAGGR63011AF50	GEAGGR63044AF50
		Psi 5075	inch 2,56	1,16	4,72	2,62	0,55	3,29	2,17	3,50	7,09	4,45	1/4	M6	1,97	0,25	0,24	1,97				0,55		
GE3T G 1 1/2 R	25	MPa 35	mm 65	29,5	124	66,5	14	83,5	55	89	180	113	G 1	M6	50	6,25	6	50	F05	14	25	kg 2,756	GEAGGR73011AF50	GEAGGR73044AF50
		Psi 5075	inch 2,56	1,16	4,88	2,62	0,55	3,29	2,17	3,50	7,09	4,45	1/2	M6	1,97	0,25	0,24	1,97				0,55		

Size only for carbon steel valves with fixing holes included.

FIXING HOLES INCLUDED

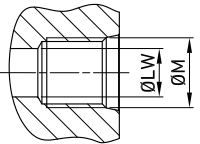


### GE3 ANSI/ASME B1.20.1 NPT

Assembling threads per ISO5211																				CS	SS			
																				Carbon Steel	Stainless Steel			
TYPE	DN	PN	A	B	C	D	E	F	G	G1	H	I	ØM	ØS	ØT	ØK*	W*	X*	ISO5211	SW	ØLW	WEIGHT	ITEM CODE	
GE3T N 1/4	6	MPa 50	mm 35	14,5	71	42,4	11	49	30	48,5	110	87	N	M4	35	5,25	4,5	34	F03	9	6	kg 0,536	GEANNT15011AF50	GEANNT14044AF50
		Psi 7250	inch 1,38	0,57	2,80	1,67	0,43	1,93	1,18	1,91	4,33	3,43	1/4	1,38	0,21	0,18	1,34	0,35				0,24		
GE3T N 3/8	10	MPa 50	mm 40	17,4	73	44,4	11	54,25	35	54,5	110	93	N	M5	36	5,25	4,5	34	F03	9	10	kg 0,695	GEANNT25011AF50	GEANNT25044AF50
		Psi 7250	inch 1,57	0,69	2,87	1,75	0,43	2,14	1,38	2,15	4,33	3,66	3/8	1,42	0,21	0,18	1,34	0,35				0,39		
GE3T N 1/2	13	MPa 50	mm 43	19,7	83	48,4	11	57	37	58,5	110	97	N	M5	36	5,25	5	36	F03	9	13	kg 0,825	GEANNT35011AF50	GEANNT35044AF50
		Psi 7250	inch 1,69	0,78	3,27	1,91	0,43	2,24	1,46	2,30	4,33	3,82	1/2	1,42	0,21	0,20	1,42	0,35				0,51		
GE3T N 3/4	20	MPa 42	mm 57	25,4	95	62,5	14	75,5	49	75	180	105	N	M6	50	6,25	6	50	F05	14	20	kg 1,583	GEANNT4G011AF50	GEANNT4G044AF50
		Psi 6090	inch 2,24	1,00	3,74	2,46	0,55	2,97	1,93	2,95	7,09	4,13	3/4	1,97	0,25	0,24	1,97	0,55				0,79		
GE3T N 1	25	MPa 42	mm 65	29,5	112	66,5	14	83,5	55	89	180	113	N	M6	50	6,25	6	50	F05	14	25	kg 2,421	GEANNT53011AF50	GEANNT5G044AF50
		Psi 6090	inch 2,56	1,16	4,41	2,62	0,55	3,29	2,17	3,50	7,09	4,45	1	1,97	0,25	0,24	1,97	0,55				0,98		
GE3T N 1/4 R	25	MPa 35	mm 65	29,5	120	66,5	14	83,5	55	89	180	113	N 1	M6	50	6,25	6	50	F05	14	25	kg 2,601	GEANNR63011AF50	GEANNR63044AF50
		Psi 5075	inch 2,56	1,16	4,72	2,62	0,55	3,29	2,17	3,50	7,09	4,45	1/4	1,97	0,25	0,24	1,97	0,55				0,98		
GE3T N 1/2 R	25	MPa 35	mm 65	29,5	124	66,5	14	83,5	55	89	180	113	N 1	M6	50	6,25	6	50	F05	14	25	kg 2,756	GEANNR73011AF50	GEANNR73044AF50
		Psi 5075	inch 2,56	1,16	4,88	2,62	0,55	3,29	2,17	3,50	7,09	4,45	1/2	1,97	0,25	0,24	1,97	0,55				0,98		

Size only for carbon steel valves with fixing holes included.

FIXING HOLES INCLUDED



### GE3 SAE J1926-1

Assembling threads per ISO5211																				CS	SS			
																				Carbon Steel	Stainless Steel			
TYPE	DN	PN	A	B	C	D	E	F	G	G1	H	I	ØM	ØS	ØT	ØK*	W*	X*	ISO5211	SW	ØLW	WEIGHT	ITEM CODE	
GE3T SAE4	6	MPa 50	mm 35	14,5	71	42,4	11	49	30	48,5	110	87	7/16	M4	35	5,25	4,5	34	F03	9	6	kg 0,512	GEAEEE05011AF50	GEAEEE05044AF50
		Psi 7250	inch 1,38	0,57	2,80	1,67	0,43	1,93	1,18	1,91	4,33	3,43	UNF	1,38	0,21	0,18	1,34	0,35				0,24		
GE3T SAE6	10	MPa 50	mm 40	17,5	73	44,8	11	54,25	35	54,5	110	93	9/16	M4	35	5,25	4,5	34	F03	9	10	kg 0,695	GEAEEE15011AF50	GEAEEE15044AF50
		Psi 7250	inch 1,57	0,69	2,87	1,76	0,43	2,14	1,38	2,15	4,33	3,66	UNF	1,38	0,21	0,18	1,34	0,35				0,39		
GE3T SAE8	13	MPa 50	mm 43	19,7	83	48,4	11	57	37	58,5	110	97	3/4	M5	36	5,25	5	36	F03	9	13	kg 0,825	GEAEEE25011AF50	GEAEEE25044AF50
		Psi 7250	inch 1,69	0,78	3,27	1,91	0,43	2,24	1,46	2,30	4,33	3,82	UNF	1,42	0,21	0,20	1,42	0,35				0,51		
GE3T SAE12	20	MPa 42	mm 57	25,4	95	62,5	14	75,5	49	75	180	105	1 1/16	M5	36	6,25	6	50	F03	14	20	kg 1,583	GEAEEE3G011AF50	GEAEEE3G044AF50
		Psi 6090	inch 2,24	1,00	3,74	2,46	0,55	2,97	1,93	2,95	7,09	4,13	UNF	1,42	0,25	0,24	1,97	0,55				0,79		
GE3T SAE16	25	MPa 42	mm 65	29,4	112	66,5	14	83,5	55	89	180	113	1 5/16	M6	50	6,25	6	50	F05	14	25	kg 2,421	GEAEEE4G011AF50	GEAEEE4G044AF50
		Psi 6090	inch 2,56	1,16	4,41	2,62	0,55	3,29	2,17	3,50	7,09	4,45	UNF	1,97	0,25	0,24	1,97	0,55				0,98		
GE3T SAE20R	25	MPa 35	mm 65	29,4	120	66,5	14	83,5	55	89	180	113	1 5/8	M6	50	6,25	6	50	F05	14	25	kg 2,601	GEAEEE53011AF50	GEAEEE53044AF50
		Psi 5075	inch 2,56	1,16	4,72	2,62	0,55	3,29	2,17	3,50	7,09	4,45	UNF	1,97	0,25	0,24	1,97	0,55				0,98		
GE3T SAE24R	25	MPa 35	mm 65	29,4	124	66,5	14	83,5	55	89	180	113	1 7/8	M6	50	6,25	6	50	F05	14	25	kg 2,756	GEAEEE63011AF50	GEAEEE63044AF50
		Psi 5075	inch 2,56	1,16	4,88	2,62	0,55	3,29	2,17	3,50	7,09	4,45	UNF	1,97	0,25	0,24	1,97	0,55				0,98		

Size only for carbon steel valves with fixing holes included.

FIXING HOLES INCLUDED



# GE3 HC

## 3-WAY HIGH PRESSURE BALL VALVES

Edition. 21.2

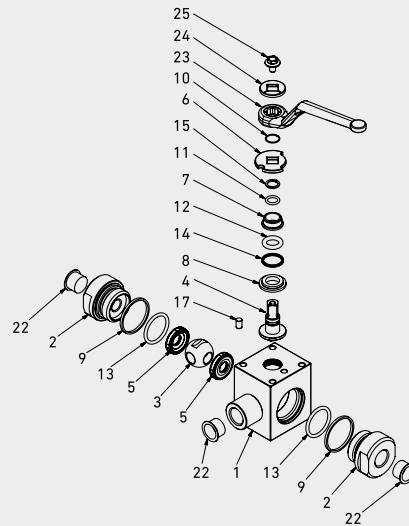
### CS Carbon Steel

- Type: ball valve 3 way high cycles
- Sizes: from DN10 up to DN25
- Ends: BSP-NPT-SAE
- O-Rings: NBR, FKM, EPDM, MVQ
- Pressure: up to PN500
- Temp range: -20°C to +100°C
- Treatment: Galvanized

### SS Stainless Steel

- Type: ball valve 3 way high cycles
- Sizes: from DN10 up to DN25
- Ends: BSP-NPT-SAE
- O-Rings: NBR, FKM, EPDM, MVQ
- Pressure: up to PN500
- Temp range: -30°C to +100°C

### STANDARD COMPOSITION OF VALVE



POS	DESCRIPTION	Q.TY		MATERIAL		POS	DESCRIPTION	Q.TY		MATERIAL	
		DN10-13	DN20-25-32	CS Carbon Steel	SS Stainless Steel			DN10-13	DN20-25-32	CS Carbon Steel	SS Stainless Steel
1	Body	1	1	1,0737	1,0737	10	Seeger	1	1	1,4301	1,4301
2	Adapter	2	2	1,0460	1,0460	11	Stem o-ring	1	1	NBR	NBR
3	Ball	1	1	1,4404	1,4404	12	Stem o-ring	1	/	NBR	NBR
4	Stem	1	1	1,4542	1,4542	13	Adapter o-ring	2	2	NBR	NBR
5	Ball seat	2	2	PA612G	PA612G	14	Stem quad-ring	1	1	NBR	NBR
6	Washer	1	1	1,0116	1,0116	15	Stem Back-up	1	1	PTFE	PTFE
7	Upper Bushing	1	1	POM - A1000	POM - A1000	16	Stem Back-up	1	1	PTFE	PTFE
8	Lower Bushing	1	1	POM - A1000	POM - A1000	17	Pin	1	1	1,0737	1,0737
9	Closure gasket	2	2	GRAPHITE	GRAPHITE	18	Caps	2	2	PVC	PVC





**CODE DESCRIPTION STRUCTURE**

GE3 HC	G 1/2	DN13	1	2	M	4	A	B
--------	-------	------	---	---	---	---	---	---

**Type and way of valve**

GE3 HC 3-way

**Ends**

GAS DIN/ ISO 228 BSP	NPT ANSI /ASME B1.20.1	SAE J1926-1
G 3/8	N 3/8	SAE6
G 1/2	N 1/2	SAE8
G 3/4	N 3/4	SAE12
G 1	N 1	SAE16

**Size**

DN10  
DN13  
DN20  
DN25

**Body Material**

- 1 = 1,0737
- 4 = 1,4404

**Adapter material**

- 2 = 1,0460
- 4 = 1,4404

**Stem material**

- M = 1,4542
- M = 1,4542

**Ball Material**

- 4 = 1,4404
- 4 = 1,4404

**Seat material**

A = POM D = PEEK\* G = PA612\* K = GEMPTFE\* C = PTFE\*

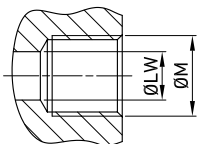
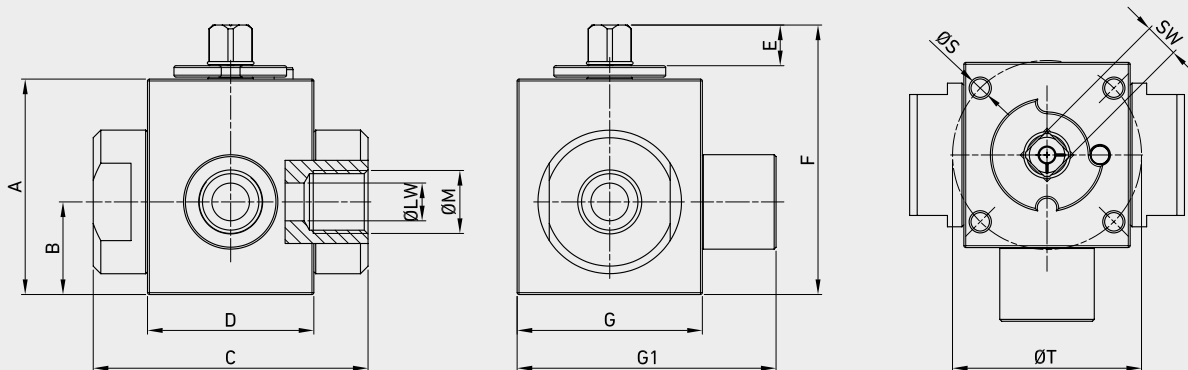
**Seal material**

B = NBR E = FKM\* F = EPDM\* L = MVQ\*

\*On request

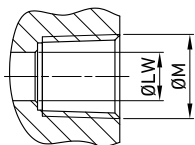
- Pneumatic and electrical actuator

For further special requests please consult our technical/commercial service.

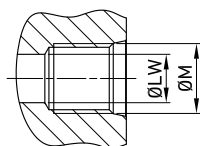


GE3 HC DIN/ISO 228 BSP

TYPE	DN	PN	A	B	C	D	E	F	G	G1	ØM	ØS	ØT	ISO5211	SW	ØLW	WEIGHT	ITEM CODE	
																		CS	SS
GE3 HCG 3/8	10	MPa 50	mm 57	24,5	73	44	11	71,3	49	68,5	G 3/8	M6	50	F05	9	10	kg 0,8	G610203A1301TAA	G610203A2P01TAA
		Psi 7250	inch 2,24	0,96	2,87	1,73	0,43	2,81	1,93	2,70									
GE3 HCG 1/2	13	MPa 50	mm 57	23,5	81	48	11	71,3	49	70,5	G 1/2	M6	50	F05	9	13	kg 1,318	G610204A1301TAA	G610204A2P01TAA
		Psi 7250	inch 2,24	0,93	3,19	1,89	0,43	2,81	1,93	2,78									
GE3 HCG 3/4	20	MPa 40	mm 65	27	98	62	14	83,7	55	85	G 3/4	M6	50	F05	14	20	kg 2	G610205A1301TAA	G610205A2P01TAA
		Psi 5800	inch 2,56	1,06	3,86	2,44	0,55	3,30	2,17	3,35									
GE3 HCG 1/2	25	MPa 35	mm 75	33,5	106	66	14	93,6	65	97,5	G1	M6	50	F05	14	25	kg 2,572	G610206A1301TAA	G610206A2P01TAA
		Psi 5075	inch 2,95	1,32	4,17	2,60	0,55	3,69	2,56	3,84									


**GE3 HC ANSI/ASME B1.20.1 NPT**

																	CS	SS				
																	Carbon Steel	Stainless Steel				
TYPE	DN	PN		A	B	C	D	E	F	G	G1	ØM	ØS	ØT	ISO5211	SW	ØLW	WEIGHT	ITEM CODE			
GE3 HCN 3/8	10	MPa	50	mm	57	24,5	73	44	11	71,3	49	68,5	N 3/8	M6	50	F05	9	10	kg	0,8	G610903A1301TAA	G610903A2P01TAA
		Psi	7250	inch	2,24	0,96	2,87	1,73	0,43	2,81	1,93	2,70							1,97	0,35		
GE3 HCN 1/2	13	MPa	50	mm	57	23,5	81	48	11	71,3	49	70,5	N 1/2	M6	50	F05	9	13	kg	1,318	G610904A1301TAA	G610904A2P01TAA
		Psi	7250	inch	2,24	0,93	3,19	1,89	0,43	2,81	1,93	2,78							1,97	0,35		
GE3 HCN 3/4	20	MPa	40	mm	65	27	98	62	14	83,7	55	85	N 3/4	M6	50	F05	14	20	kg	2	G610905A1301TAA	G610905A2P01TAA
		Psi	5800	inch	2,56	1,06	3,86	2,44	0,55	3,30	2,17	3,35							1,97	0,55		
GE3 HC N1	25	MPa	35	mm	75	33,5	106	66	14	93,6	65	97,5	N1	M6	50	F05	14	25	kg	2,572	G610906A1301TAA	G610906A2P01TAA
		Psi	5075	inch	2,95	1,32	4,17	2,60	0,55	3,69	2,56	3,84							1,97	0,55		


**GE3 HC SAE J1926-1**

																	CS	SS				
																	Carbon Steel	Stainless Steel				
TYPE	DN	PN		A	B	C	D	E	F	G	G1	ØM	ØS	ØT	ISO5211	SW	ØLW	WEIGHT	ITEM CODE			
GE3 HC SAE6	10	MPa	50	mm	57	24,5	73	44	11	71,3	49	68,5	9/16	M6	50	F05	9	10	kg	0,8	G610B03A1301TAA	G610B03A2P01TAA
		Psi	7250	inch	2,24	0,96	2,87	1,73	0,43	2,81	1,93	2,70							UNF	1,97		
GE3 HC SAE8	13	MPa	50	mm	57	23,5	81	48	11	71,3	49	70,5	3/4	M6	50	F05	9	13	kg	1,318	G610B04A1301TAA	G610B04A2P01TAA
		Psi	7250	inch	2,24	0,93	3,19	1,89	0,43	2,81	1,93	2,78							UNF	1,97		
GE3 HC SAE12	20	MPa	40	mm	65	27	98	62	14	83,7	55	85	11/16	M6	50	F05	14	20	kg	2	G610B05A1301TAA	G610B05A2P01TAA
		Psi	5800	inch	2,56	1,06	3,86	2,44	0,55	3,30	2,17	3,35							UNF	1,97		
GE3 HC SAE16	25	MPa	35	mm	75	33,5	106	66	14	93,6	65	97,5	15/16	M6	50	F05	14	25	kg	2,572	G610B06A1301TAA	G610B06A2P01TAA
		Psi	5075	inch	2,95	1,32	4,17	2,60	0,55	3,69	2,56	3,84							UNF	1,97		



# GE5

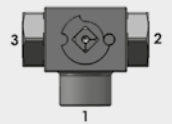
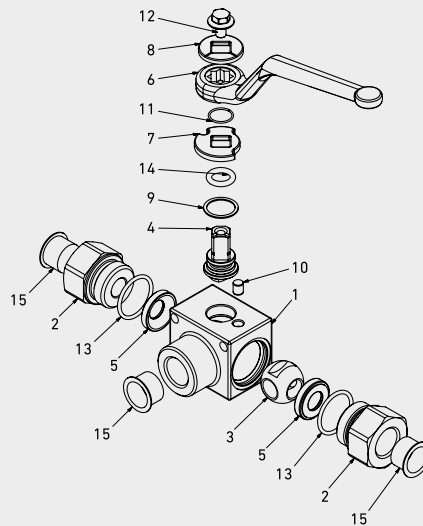
## 3-WAY HIGH PRESSURE BALL VALVES

Edition. 21.0

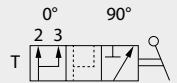
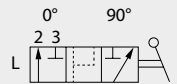
### CS Carbon Steel

- Type: ball valve 3 way
- Sizes: from DN6 up to DN13
- Ends: BSP-NPT-SAE
- Pressure: up to PN500
- Temp range: from -20°C to +100°C
- Treatment: Galvanized

### STANDARD COMPOSITION OF VALVE



**WARNING!**  
Pressure inlet only  
from center port 1



POS	DESCRIPTION	Q.TY	MATERIAL
1	Body	1	1,0737
2	Adapter	2	1,0737
3	Ball	1	1,0737
4	Stem	1	1,0737
5	Ball seat	2	POM
6	Handle	1	ZINC
7	Washer	1	1,0116
8	Washer	1	1,0116
9	Stem ring	1	POM
10	Pin	1	1,0737
11	Seeger	1	1,4404
12	Adapter o-ring	2	NBR
13	Stem o-ring	1	NBR
14	Screw	1	Din 6921 8.8
15	Caps	3	PVC

CS

Carbon Steel



SMALLER DESIGN

CODE DESCRIPTION STRUCTURE

GE5	G3/8	DN10	1	1	1	1	A	B
-----	------	------	---	---	---	---	---	---

Type and way of valve

GE5 3-way

Ends

GAS DIN/ ISO 228 BSP	NPT ANSI /ASME B1.20.1	SAE J1926-1
G 1/4	N 1/4	SAE4
G 3/8	N 3/8	SAE6
G 1/2	N 1/2	SAE8

Size

from DN6 to DN13

Body Material

● 1 = 1,0737

Adapter material

● 1 = 1,0737

Stem material

● 1 = 1,0737 4 = 1,4404\*

Ball Material

● 1 = 1,0737 4 = 1,4404\*

Seat material

A = POM

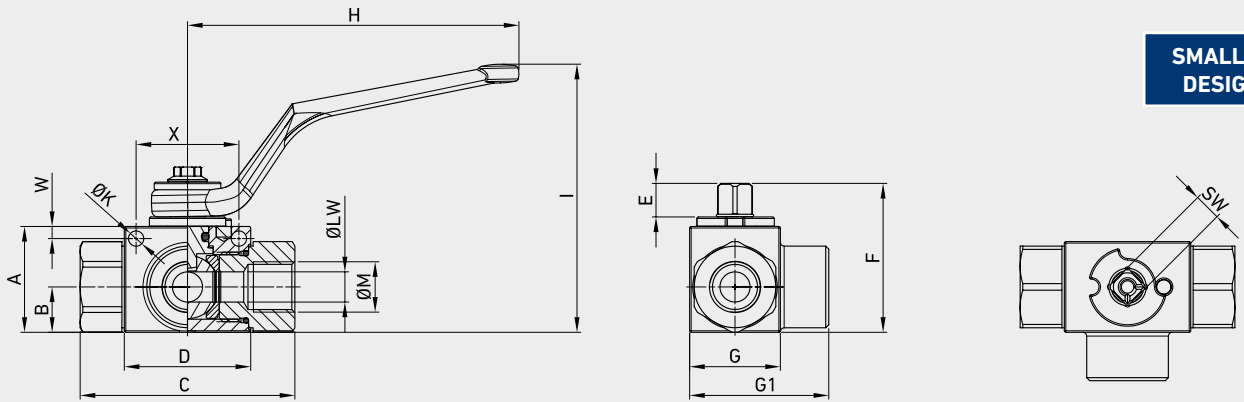
Seal material

B = NBR

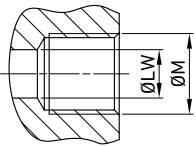
\*On request

- Reduced bore
- Special threads
- Pressure class up to PN50 Mpa
- Pneumatic and electrical actuator
- Security block
- Locking device

For further special requests please consult our technical/commercial service.

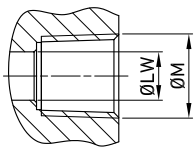


**SMALLER DESIGN**



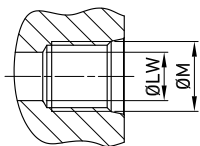
**GE5 DIN/ISO 228 BSP**

																			CS Carbon Steel		
TYPE	DN	PN	A	B	C	D	E	F	G	G1	H	I	ØM	ØK	W	X	SW	ØLW	WEIGHT	ITEM CODE	
GE5 G 1/4	6	MPa 50	mm	33	14,3	69	40,4	11,1	47,15	26	42	110	87	G 1/4	5,10	4	34	9	6	kg 0,411	GE5GGT15011A000
		Psi 7250	inch	1,30	0,56	2,72	1,59	0,44	1,86	1,02	1,65	4,33	3,43		0,20	0,16	1,34	0,35	0,24	lb 0,91	
GE5 G 3/8	10	MPa 50	mm	35	15	71	41,8	11,1	49,15	30	46	110	89	G 3/8	5,1	4	34	9	10	kg 0,512	GE5GGT25011A000
		Psi 7250	inch	1,38	0,59	2,80	1,65	0,44	1,94	1,18	1,81	4,33	3,50		0,20	0,16	1,34	0,35	0,39	lb 1,13	
GE5 G 1/2	13	MPa 50	mm	40	18,3	83	44,4	11,1	54,15	35	54	110	94	G 1/2	5,1	4	36	9	13	kg 0,72	GE5GGT35011A000
		Psi 7250	inch	1,57	0,72	3,27	1,75	0,44	2,13	1,38	2,13	4,33	3,70		0,20	0,16	1,42	0,35	0,51	lb 1,59	
																			FIXING HOLES INCLUDED		



**GE5 ANSI/ASME B1.20.1 NPT**

																			CS Carbon Steel		
TYPE	DN	PN	A	B	C	D	E	F	G	G1	H	I	ØM	ØK	W	X	SW	ØLW	WEIGHT	ITEM CODE	
GE5 N 1/4	6	MPa 50	mm	33	14,3	69	40,4	11,1	47,15	26	42	110	87	N 1/4	5,10	4	34	9	6	kg 0,411	GE5NNT15011A000
		Psi 7250	inch	1,30	0,56	2,72	1,59	0,44	1,86	1,02	1,65	4,33	3,43		0,20	0,16	1,34	0,35	0,24	lb 0,91	
GE5 N 3/8	10	MPa 50	mm	35	15	71	41,8	11,1	49,15	30	46	110	89	N 3/8	5,1	4	34	9	10	kg 0,512	GE5NNT25011A000
		Psi 7250	inch	1,38	0,59	2,80	1,65	0,44	1,94	1,18	1,81	4,33	3,50		0,20	0,16	1,34	0,35	0,39	lb 1,13	
GE5 N 1/2	13	MPa 50	mm	40	18,3	83	44,4	11,1	54,15	35	54	110	94	N 1/2	5,1	4	36	9	13	kg 0,72	GE5NNT35011A000
		Psi 7250	inch	1,57	0,72	3,27	1,75	0,44	2,13	1,38	2,13	4,33	3,70		0,20	0,16	1,42	0,35	0,51	lb 1,59	
																			FIXING HOLES INCLUDED		


**GE5 SAE J1926-1**

																				CS Carbon Steel		
TYPE	DN	PN		A	B	C	D	E	F	G	G1	H	I	ØM	ØK	W	X	SW	ØLW	WEIGHT	ITEM CODE	
GE5 SAE4	6	MPa	50	mm	33	14,3	69	40,4	11,1	47,15	26	42	110	87	7/16	5,10	4	34	9	6	kg 0,411	GE5EEE05011A000
		Psi	7250	inch	1,30	0,56	2,72	1,59	0,44	1,86	1,02	1,65	4,33	3,43	UNF	0,20	0,16	1,34	0,35	0,24	lb 0,91	
GE5 SAE6	10	MPa	50	mm	35	15	71	41,8	10,8	49,15	30	46	110	89	9/16	5,1	4	34	9	10	kg 0,512	GE5EEE15011A000
		Psi	7250	inch	1,38	0,59	2,80	1,65	0,43	1,94	1,18	1,81	4,33	3,50	UNF	0,20	0,16	1,34	0,35	0,39	lb 1,13	
GE5 SAE8	13	MPa	50	mm	40	18,3	83	44,4	11,1	54,15	35	54	110	94	3/4	5,1	4	36	9	13	kg 0,72	GE5EEE25011A000
		Psi	7250	inch	1,57	0,72	3,27	1,75	0,44	2,13	1,38	2,13	4,33	3,70	UNF	0,20	0,16	1,42	0,35	0,51	lb 1,59	
																				FIXING HOLES INCLUDED		



# GE3K

## 3-WAY HIGH PRESSURE BALL VALVES

Edition. 21.1

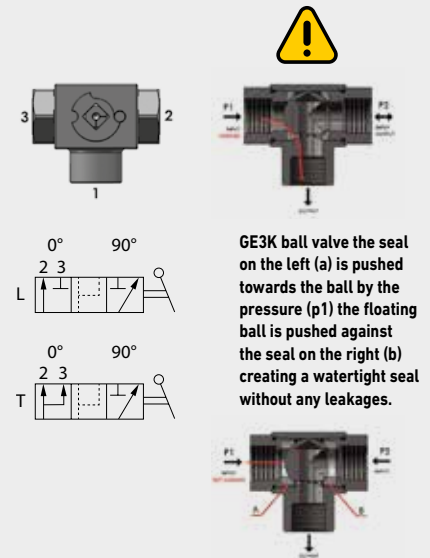
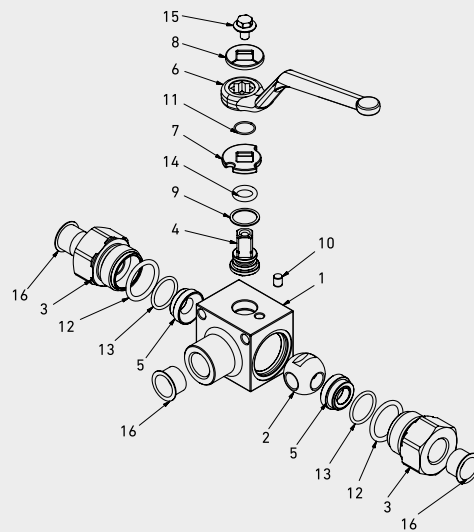
### CS Carbon Steel

- Type: ball valve 3 way special seats, zero leakage
- Sizes: from DN6 up to DN25
- Ends: BSP-NPT-SAE
- Pressure: up to PN500
- Temp range: from -20°C to +100°C
- Treatment: Galvanized

### SS Stainless Steel

- Type: ball valve 3 way special seats, zero leakage
- Sizes: from DN6 up to DN25
- Ends: BSP-NPT-SAE
- Pressure: up to PN500
- Temp range: from -30°C to +100°C

### STANDARD COMPOSITION OF VALVE



POS	DESCRIPTION	Q.TY	CS	SS
			Carbon Steel	Stainless Steel
			MATERIAL	
1	Body	1	1,0737	1,4404
2	Adapter	2	1,0737	1,4404
3	Ball	1	1,0737	1,4404
4	Stem	1	1,0737	1,4404
5	Ball seat	2	POM	POM
6	Handle	1	ZINC	ZINC
7	Washer	1	1,0116	1,0116
8	Washer	1	1,0116	1,4404
9	Stem ring	1	POM	POM
10	Pin	1	1,0737	1,4404
11	Seeger	1	1,4404	1,4404
12	Adapter o-ring	2	NBR	NBR
13	Seal o-ring	2	NBR	NBR
14	Stem o-ring	1	NBR	NBR
15	Screw	1	Din 6921 8.8	Din 6921 A4
16	Caps	3	PVC	PVC





**CODE DESCRIPTION STRUCTURE**

GE3K	G1/2	DN13	1	1	1	1	A	B
------	------	------	---	---	---	---	---	---

**Type and way of valve**

GE3K 3-way

**Ends**

GAS DIN/ NPT ANSI SAE  
ISO 228 /ASME J1926-1  
BSP B1.20.1

G 1/4 N 1/4 SAE4  
G 3/8 N 3/8 SAE6  
G 1/2 N 1/2 SAE8  
G 3/4 N 3/4 SAE12  
G 1 N 1 SAE16  
G 1 1/4 R N 1 1/4 R SAE20R  
G 1 1/2 R N 1 1/2 R SAE24R

**Size**

from DN6 to DN25

**Body Material**

- 1 = 1,0737
- 4 = 1,4404

**Adapter material**

- 1 = 1,0737
- 4 = 1,4404

**Stem material**

- 1 = 1,0737 4 = 1,4404\*
- 4 = 1,4404

**Ball Material**

- 1 = 1,0737 4 = 1,4404\*
- 4 = 1,4404

**Seat material**

A = POM D = PEEK\* G = PA612\* K = GEMPTFE\* C = PTFE\*

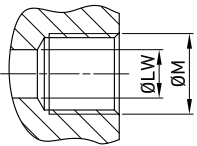
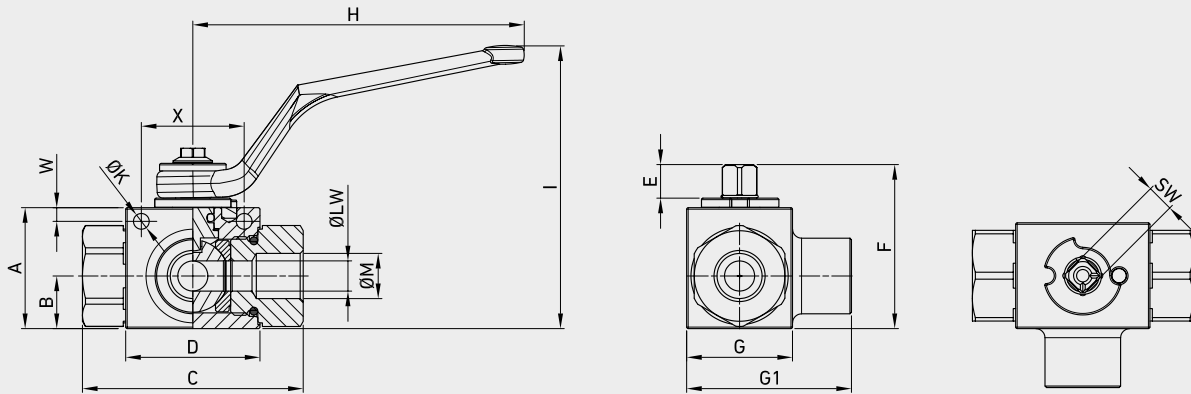
**Seal material**

B = NBR E = FKM\* F = EPDM\* L = MVQ\*

**\*On request**

- Reduced bore
- Special threads
- Pressure class up to PN40 Mpa
- Pneumatic and electrical actuator
- Security block
- Locking device

For further special requests please consult our technical/commercial service.

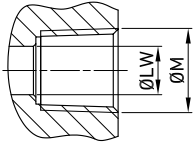


GE3K DIN/ISO 228 BSP

TYPE	DN	PN												<span style="border: 1px solid black; border-radius: 50%; padding: 2px;">CS</span> Carbon Steel <span style="border: 1px solid black; border-radius: 50%; padding: 2px; margin-left: 20px;">SS</span> Stainless Steel							
			A	B	C	D	E	F	G	G1	H	I	ØM	ØK*	W*	X*	SW	ØLW	WEIGHT	ITEM CODE	
GE3K G 1/4	6	MPa 50	mm 35	14,5	71	42,4	11	49	30	48,5	110	87	G 1/4	5,25	4,5	34	9	6	kg 0,536	GK3GGT14011A000	GK3GGT14044A000
		Psi 7250	inch 1,38	0,57	2,80	1,67	0,43	1,93	1,18	1,91	4,33	3,43		0,21	0,18	1,34	0,35	0,24	lb 1,18		
GE3K G 3/8	10	MPa 50	mm 40	17,4	73	44,4	11	54,25	35	54,5	110	93	G 3/8	5,25	4,5	34	9	10	kg 0,695	GK3GGT24011A000	GK3GGT24044A000
		Psi 7250	inch 1,57	0,69	2,87	1,75	0,43	2,14	1,38	2,15	4,33	3,66		0,21	0,18	1,34	0,35	0,39	lb 1,53		
GE3K G 1/2	13	MPa 50	mm 43	19,7	83	48,4	11	57	37	58,5	110	97	G 1/2	5,25	5	36	9	13	kg 0,825	GK3GGT33011A000	GK3GGT33044A000
		Psi 7250	inch 1,69	0,78	3,27	1,91	0,43	2,24	1,46	2,30	4,33	3,82		0,21	0,20	1,42	0,35	0,51	lb 1,82		
GE3K G 3/4	20	MPa 40 35	mm 57	25,4	95	62,5	14	75,5	49	75	180	105	G 3/4	6,25	6	50	14	20	kg 1,583	GK3GGT44011A000	GK3GGT43044A000
		Psi 5800 5075	inch 2,24	1,00	3,74	2,46	0,55	2,97	1,93	2,95	7,09	4,13		0,25	0,24	1,97	0,55	0,79	lb 3,49		
GE3K G 1	25	MPa 35	mm 65	29,5	105	66,5	14	83,5	55	89	180	113	G 1	6,25	6	50	14	25	kg 2,421	GK3GGT53011A000	GK3GGT53044A000
		Psi 5075	inch 2,56	1,16	4,13	2,62	0,55	3,29	2,17	3,50	7,09	4,45		0,25	0,24	1,97	0,55	0,98	lb 5,34		
GE3K G 1 1/4 R	25	MPa 35	mm 65	29,5	120	66,5	14	83,5	55	89	180	113	G 1 1/4	6,25	6	50	14	25	kg 2,601	GK3GGR63011A000	GK3GGR63044A000
		Psi 5075	inch 2,56	1,16	4,72	2,62	0,55	3,29	2,17	3,50	7,09	4,45		0,25	0,24	1,97	0,55	0,98	lb 5,73		
GE3K G 1 1/2 R	25	MPa 35	mm 65	29,5	124	66,5	14	83,5	55	89	180	113	G 1 1/2	6,25	6	50	14	25	kg 2,756	GK3GGR73011A000	GK3GGR73044A000
		Psi 5075	inch 2,56	1,16	4,88	2,62	0,55	3,29	2,17	3,50	7,09	4,45		0,25	0,24	1,97	0,55	0,98	lb 6,08		

Size only for carbon steel valves with fixing holes included.

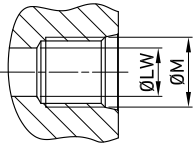
**FIXING HOLES INCLUDED**


**GE3K ANSI/ASME B1.20.1 NPT**

																	CS Carbon Steel		SS Stainless Steel						
TYPE	DN	PN		A	B	C	D	E	F	G	G1	H	I	ØM	ØK*	W*	X*	SW	ØLW	WEIGHT	ITEM CODE				
GE3K N 1/4	6	MPa	50	mm	35	14,5	71	42,4	11	49	30	48,5	110	87	N 1/4	5,25	4,5	34	9	6	kg	0,536	GK3NNT14011A000	GK3NNT14044A000	
		Psi	7250	inch	1,38	0,57	2,80	1,67	0,43	1,93	1,18	1,91	4,33	3,43		0,21	0,18	1,34	0,35	0,24	lb	1,18			
GE3K N 3/8	10	MPa	50	mm	40	17,4	73	44,4	11	54,25	35	54,5	110	93	N 3/8	5,25	4,5	34	9	10	kg	0,695	GK3NNT24011A000	GK3NNT24044A000	
		Psi	7250	inch	1,57	0,69	2,87	1,75	0,43	2,14	1,38	2,15	4,33	3,66		0,21	0,18	1,34	0,35	0,39	lb	1,53			
GE3K N 1/2	13	MPa	50	mm	43	19,7	83	48,4	11	57	37	58,5	110	97	N 1/2	5,25	5	36	9	13	kg	0,825	GK3NNT33011A000	GK3NNT33044A000	
		Psi	7250	inch	1,69	0,78	3,27	1,91	0,43	2,24	1,46	2,30	4,33	3,82		0,21	0,20	1,42	0,35	0,51	lb	1,82			
GE3K N 3/4	20	MPa	40	35	mm	57	25,4	95	62,5	14	75,5	49	75	180	105	N 3/4	6,25	6	50	14	20	kg	1,583	GK3NNT44011A000	GK3NNT43044A000
		Psi	5800	5075	inch	2,24	1,00	3,74	2,46	0,55	2,97	1,93	2,95	7,09	4,13		0,25	0,24	1,97	0,55	0,79	lb	3,49		
GE3K N 1	25	MPa	35	mm	65	29,5	105	66,5	14	83,5	55	89	180	113	N 1	6,25	6	50	14	25	kg	2,421	GK3NNT53011A000	GK3NNT53044A000	
		Psi	5075	inch	2,56	1,16	4,13	2,62	0,55	3,29	2,17	3,50	7,09	4,45		0,25	0,24	1,97	0,55	0,98	lb	5,34			
GE3K N 1/4 R	25	MPa	35	mm	65	29,5	120	66,5	14	83,5	55	89	180	113	N 1	6,25	6	50	14	25	kg	2,601	GK3NNR63011A000	GK3NNR63044A000	
		Psi	5075	inch	2,56	1,16	4,72	2,62	0,55	3,29	2,17	3,50	7,09	4,45		1/4	0,25	0,24	1,97	0,55	0,98	lb			5,73
GE3K N 1/2 R	25	MPa	35	mm	65	29,5	124	66,5	14	83,5	55	89	180	113	N 1	6,25	6	50	14	25	kg	2,756	GK3NNR73011A000	GK3NNR73044A000	
		Psi	5075	inch	2,56	1,16	4,88	2,62	0,55	3,29	2,17	3,50	7,09	4,45		1/2	0,25	0,24	1,97	0,55	0,98	lb			6,08

Size only for carbon steel valves with fixing holes included.

FIXING HOLES INCLUDED


**GE3K SAE J1926-1**

																	CS Carbon Steel		SS Stainless Steel						
TYPE	DN	PN		A	B	C	D	E	F	G	G1	H	I	ØM	ØK*	W*	X*	SW	ØLW	WEIGHT	ITEM CODE				
GE3K SAE4	6	MPa	50	mm	35	14,5	71	42,4	11	49	30	48,5	110	87	7/16	5,25	4,5	34	9	6	kg	0,536	GK3EEE04011A000	GK3EEE04044A000	
		Psi	7250	inch	1,38	0,57	2,80	1,67	0,43	1,93	1,18	1,91	4,33	3,43		UNF	0,21	0,18	1,34	0,35	0,24	lb			1,18
GE3K SAE6	10	MPa	50	mm	40	17,4	73	44,4	11	54,25	35	54,5	110	93	9/16	5,25	4,5	34	9	10	kg	0,695	GK3EEE14011A000	GK3EEE14044A000	
		Psi	7250	inch	1,57	0,69	2,87	1,75	0,43	2,14	1,38	2,15	4,33	3,66		UNF	0,21	0,18	1,34	0,35	0,39	lb			1,53
GE3K SAE8	13	MPa	50	mm	43	19,7	83	48,4	11	57	37	58,5	110	97	3/4	5,25	5	36	9	13	kg	0,825	GK3EEE23011A000	GK3EEE23044A000	
		Psi	7250	inch	1,69	0,78	3,27	1,91	0,43	2,24	1,46	2,30	4,33	3,82		UNF	0,21	0,20	1,42	0,35	0,51	lb			1,82
GE3K SAE12	20	MPa	40	35	mm	57	25,4	95	62,5	14	75,5	49	75	180	105	1 1/16	6,25	6	50	14	20	kg	1,583	GK3EEE34011A000	GK3EEE34044A000
		Psi	5800	5075	inch	2,24	1,00	3,74	2,46	0,55	2,97	1,93	2,95	7,09	4,13		UNF	0,25	0,24	1,97	0,55	0,79	lb		
GE3K SAE16	25	MPa	35	mm	65	29,5	105	66,5	14	83,5	55	89	180	113	1 5/16	6,25	6	50	14	25	kg	2,421	GK3EEE43011A000	GK3EEE43044A000	
		Psi	5075	inch	2,56	1,16	4,13	2,62	0,55	3,29	2,17	3,50	7,09	4,45		UNF	0,25	0,24	1,97	0,55	0,98	lb			5,34
GE3K SAE20R	25	MPa	35	mm	65	29,5	120	66,5	14	83,5	55	89	180	113	1 5/8	6,25	6	50	14	25	kg	2,601	GK3EEE53011A000	GK3EEE53044A000	
		Psi	5075	inch	2,56	1,16	4,72	2,62	0,55	3,29	2,17	3,50	7,09	4,45		UNF	0,25	0,24	1,97	0,55	0,98	lb			5,73
GE3K SAE24R	25	MPa	35	mm	65	29,5	124	66,5	14	83,5	55	89	180	113	1 7/8	6,25	6	50	14	25	kg	2,756	GK3EEE63011A000	GK3EEE63044A000	
		Psi	5075	inch	2,56	1,16	4,88	2,62	0,55	3,29	2,17	3,50	7,09	4,45		UNF	0,25	0,24	1,97	0,55	0,98	lb			6,08

Size only for carbon steel valves with fixing holes included.

FIXING HOLES INCLUDED



# GEF

## 2-WAY HIGH PRESSURE BALL VALVES

Edition. 21.3

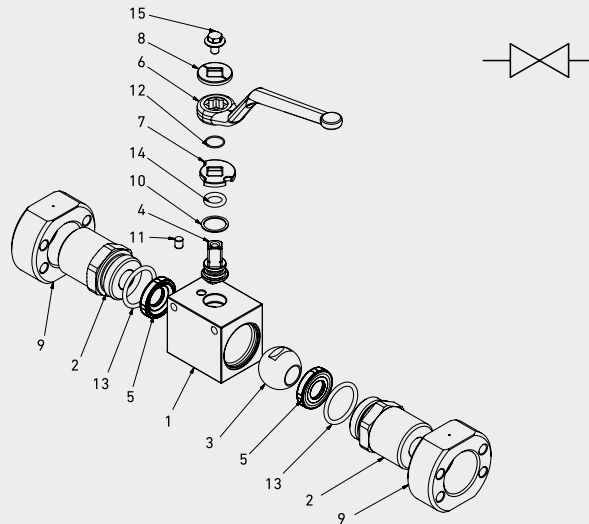
### CS Carbon Steel

- Type: ball valve 2 way
- Sizes: from DN13 up to DN25
- Ends: ISO6162-1/-2  
SAEJ518-1/-2
- Pressure: up to PN420 / S6000
- Temp range: -20°C to +100°C
- Treatment: Galvanized

### SS Stainless Steel

- Type: ball valve 2 way
- Sizes: from DN13 up to DN25
- Ends: ISO6162-1/-2  
SAEJ518-1/-2
- Pressure: up to PN420 / S6000
- Temp range: -30°C to +100°C

### STANDARD COMPOSITION OF VALVE



POS	DESCRIPTION	Q.TY	CS	SS
			Carbon Steel	Stainless Steel
			MATERIAL	
1	Body	1	1,0737	1,4404
2	Adapter	2	1,0737	1,4404
3	Ball	1	1,0737	1,4404
4	Stem	1	1,0737	1,4404
5	Ball seat	2	POM	POM
6	Handle	1	ZINC	ZINC
7	Washer	1	1,0116	1,4404
8	Washer	1	1,0116	1,4404
9	Flange	2	1,0737	1,4404
10	Stem ring	1	POM	POM
11	Pin	1	1,0737	1,4404
12	Seeger	1	1,4404	1,4404
13	Adapter o-ring	2	NBR	NBR
14	Stem o-ring	1	NBR	NBR
15	Screw	1	Din 6921 8.8	Din 6921 A4



CODE DESCRIPTION STRUCTURE

GE	F3	DN13	1	1	1	1	A	B
----	----	------	---	---	---	---	---	---

Type and way of valve

GE 2-way

Ends

Valves dimension of pressure (PSI) F3 Valves dimension of pressure (PSI) F6

S3000 S6000

Size

from DN13 to DN25

Body Material

- 1 = 1,0737
- 4 = 1,4404

Adapter material

- 1 = 1,0737
- 4 = 1,4404

Stem material

- 1 = 1,0737 4 = 1,4404\*
- 4 = 1,4404

Ball Material

- 1 = 1,0737 4 = 1,4404\*
- 4 = 1,4404

Seat material

A = POM D = PEEK\* G = PA612\* K = GEMPTFE\* C = PTFE\*

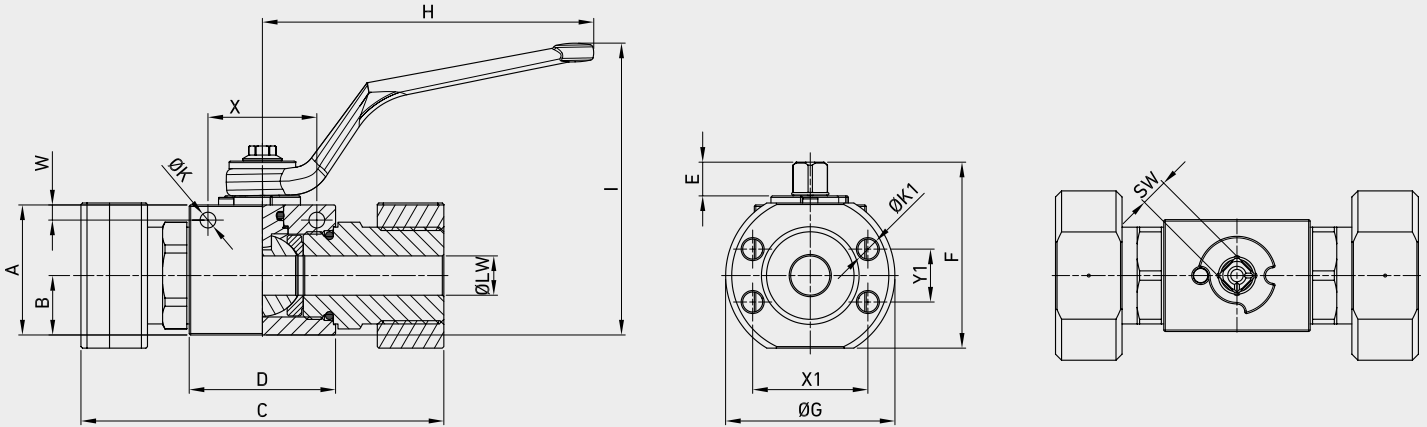
Seal material

B = NBR E = FKM\* F = EPDM\* L = MVQ\*

\*On request

- Reduced bore
- Special threads
- Pressure class up to PN6000 Psi
- Pneumatic and electrical actuator
- Locking device

For further special requests please consult our technical/commercial service.



GEF SAE J518 S3000 - F61

TYPE	DN	PN	A	B	C	D	E	F	ØG	H	I	ØK1	X1	Y1	ØK*	W*	X*	ØLW	SW	WEIGHT	CS	SS
																					Carbon Steel	Stainless Steel
																					ITEM CODE	
GEF3	13	MPa 35	mm 43	19,7	120	48,4	11	61,5	56	110	95	M8	38,1	17,5	5,25	5	36	13	9	kg 1,504	GE2FFC0L011A000	GE2FFC0L044A000
		Psi 5075	inch 1,69	0,78	4,72	1,91	0,43	2,42	2,20	4,33	3,74		1,50	0,69	0,21	0,20	1,42	0,51	0,35	lb 3,32		
GEF3	20	MPa 35	mm 57	25,4	136	62,5	14	80,1	72	180	105	M10	47,6	22,2	6,25	6	50	20	14	kg 2,608	GE2FFC1L011A000	GE2FFC1L044A000
		Psi 5075	inch 2,24	1,00	5,35	2,46	0,55	3,15	2,83	7,09	4,13		1,87	0,87	0,25	0,24	1,97	0,79	0,55	lb 5,75		
GEF3	25	MPa 35	mm 65	29,5	148	66,5	14	89	81	180	113	M10	52,4	26,2	6,25	6	50	25	14	kg 3,891	GE2FFC2L011A000	GE2FFC2L044A000
		Psi 5075	inch 2,56	1,16	5,83	2,62	0,55	3,50	3,19	7,09	4,45		2,06	1,03	0,25	0,24	1,97	0,98	0,55	lb 8,58		

Size only for carbon steel valves with fixing holes included.

GEF SAE J518 S3000 UNC - F61

TYPE	DN	PN	A	B	C	D	E	F	ØG	H	I	ØK1	X1	Y1	ØK*	W*	X*	ØLW	SW	WEIGHT	CS	SS
																					Carbon Steel	Stainless Steel
																					ITEM CODE	
GEF3	13	MPa 35	mm 43	19,7	120	48,4	11	61,5	56	110	95	5/16-18	38,1	17,5	5,25	5	36	13	9	kg 1,504	GE2FUC0L011A000	GE2FUC0L044A000
		Psi 5075	inch 1,69	0,78	4,72	1,91	0,43	2,42	2,20	4,33	3,74	UNC	1,50	0,69	0,21	0,20	1,42	0,51	0,35	lb 3,32		
GEF3	20	MPa 35	mm 57	25,4	136	62,5	14	80,1	72	180	105	3/8-16	47,6	22,2	6,25	6	50	20	14	kg 2,608	GE2FUC1L011A000	GE2FUC1L044A000
		Psi 5075	inch 2,24	1,00	5,35	2,46	0,55	3,15	2,83	7,09	4,13	UNC	1,87	0,87	0,25	0,24	1,97	0,79	0,55	lb 5,75		
GEF3	25	MPa 35	mm 65	29,5	148	66,5	14	89	81	180	113	3/8-16	52,4	26,2	6,25	6	50	25	14	kg 3,891	GE2FUC2L011A000	GE2FUC2L044A000
		Psi 5075	inch 2,56	1,16	5,83	2,62	0,55	3,50	3,19	7,09	4,45	UNC	2,06	1,03	0,25	0,24	1,97	0,98	0,55	lb 8,58		

Size only for carbon steel valves with fixing holes included.

**GEF SAE J518 S6000 - F62**

																				CS Carbon Steel	SS Stainless Steel		
TYPE	DN	PN	A	B	C	D	E	F	ØG	H	I	ØK1	X1	Y1	ØK*	W*	X*	ØLW	SW	WEIGHT	ITEM CODE		
GEF6	13	MPa 42	mm	43	19,7	120	48,4	11	61,5	56	110	95	M8	40,5	18,2	5,25	5	36	13	9	kg 1,504	GE2FFC6G011A000	GE2FFC6G044A000
		Psi 6090	inch	1,69	0,78	4,72	1,91	0,43	2,42	2,20	4,33	3,74		1,59	0,72	0,21	0,20	1,42	0,51	0,35	lb 3,32		
GEF6	20	MPa 42	mm	57	25,4	136	62,5	14	80,1	72	180	105	M10	50,8	23,8	6,25	6	50	20	14	kg 2,608	GE2FFC74011A000	GE2FFC74044A000
		Psi 6090	inch	2,24	1,00	5,35	2,46	0,55	3,15	2,83	7,09	4,13		2,00	0,94	0,25	0,24	1,97	0,79	0,55	lb 5,75		
GEF6	25	MPa 42	mm	65	29,5	148	66,5	14	89	81	180	113	M12	57,2	27,8	6,25	6	50	25	14	kg 3,891	GE2FFC83011A000	GE2FFC83044A000
		Psi 6090	inch	2,56	1,16	5,83	2,62	0,55	3,50	3,19	7,09	4,45		2,25	1,09	0,25	0,24	1,97	0,98	0,55	lb 8,58		

Size only for carbon steel valves with fixing holes included.

**GEF SAE J518 S6000 UNC - F62**

																				CS Carbon Steel	SS Stainless Steel		
TYPE	DN	PN	A	B	C	D	E	F	ØG	H	I	ØK1	X1	Y1	ØK*	W*	X*	ØLW	SW	WEIGHT	ITEM CODE		
GEF6	13	MPa 42	mm	43	19,7	120	48,4	11	61,5	56	110	95	5/16-18	40,5	18,2	5,25	5	36	13	9	kg 1,504	GE2FUC6G011A000	GE2FUC6G044A000
		Psi 6090	inch	1,69	0,78	4,72	1,91	0,43	2,42	2,20	4,33	3,74	UNC	1,59	0,72	0,21	0,20	1,42	0,51	0,35	lb 3,32		
GEF6	20	MPa 42	mm	57	25,4	136	62,5	14	75,5	72	180	105	3/8-16	50,8	23,8	6,25	6	50	20	14	kg 2,608	GE2FUC74011A000	GE2FUC74044A000
		Psi 6090	inch	2,24	1,00	5,35	2,46	0,55	2,97	2,83	7,09	4,13	UNC	2,00	0,94	0,25	0,24	1,97	0,79	0,55	lb 5,75		
GEF6	25	MPa 42	mm	65	29,5	148	66,5	14	89	81	180	113	7/16-14	57,2	27,8	6,25	6	50	25	14	kg 3,891	GE2FUC83011A000	GE2FUC83044A000
		Psi 6090	inch	2,56	1,16	5,83	2,62	0,55	3,50	3,19	7,09	4,45	UNC	2,25	1,09	0,25	0,24	1,97	0,98	0,55	lb 8,58		

Size only for carbon steel valves with fixing holes included.



# GES

## 2-WAY HIGH PRESSURE BALL VALVES

Edition. 21.4

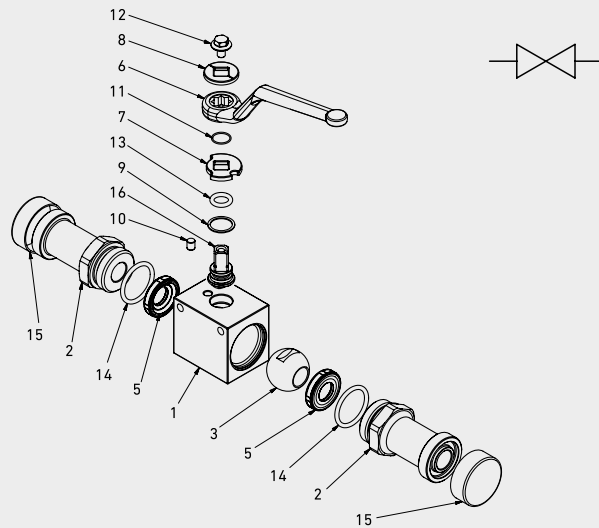
### CS Carbon Steel

- Type: ball valve 2 way
- Sizes: from DN13 up to DN25
- Ends: SAE J518
- Pressure: up to PN420 / S6000
- Temp range: -20°C to +100°C
- Treatment: Galvanized

### SS Stainless Steel

- Type: ball valve 2 way
- Sizes: from DN13 up to DN25
- Ends: SAE J518
- Pressure: up to PN420 / S6000
- Temp range: -30°C to +100°C

### STANDARD COMPOSITION OF VALVE



POS	DESCRIPTION	Q.TY	CS	SS
			Carbon Steel	Stainless Steel
			MATERIAL	
1	Body	1	1,0737	1,4404
2	Adapter	2	1,0737	1,4404
3	Ball	1	1,0737	1,4404
4	Stem	1	1,0737	1,4404
5	Ball seat	2	POM	POM
6	Handle	1	ZINC	ZINC
7	Washer	1	1,0116	1,4404
8	Washer	1	1,0116	1,4404
9	Stem ring	1	POM	POM
10	Pin	1	1,0737	1,4404
11	Seeger	1	1,4404	1,4404
12	Adapter o-ring	2	NBR	NBR
13	Stem o-ring	1	NBR	NBR
14	Screw	1	Din 6921 8.8	Din 6921 A4
15	Caps	2	PVC	PVC





**CODE DESCRIPTION STRUCTURE**

GE	S3	DN13	1	1	1	1	A	B
----	----	------	---	---	---	---	---	---

Type and way of valve

GE 2-way

Ends

Valves dimension of pressure (PSI) S3  
Valves dimension of pressure (PSI) S6

S3000 S6000

Size

from DN13 to DN25

Body Material

- 1 = 1,0737
- 4 = 1,4404

Adapter material

- 1 = 1,0737
- 4 = 1,4404

Stem material

- 1 = 1,0737 4 = 1,4404\*
- 4 = 1,4404

Ball Material

- 1 = 1,0737 4 = 1,4404\*
- 4 = 1,4404

Seat material

A = POM D = PEEK\* G = PA612\* K = GEMPTFE\* C = PTFE\*

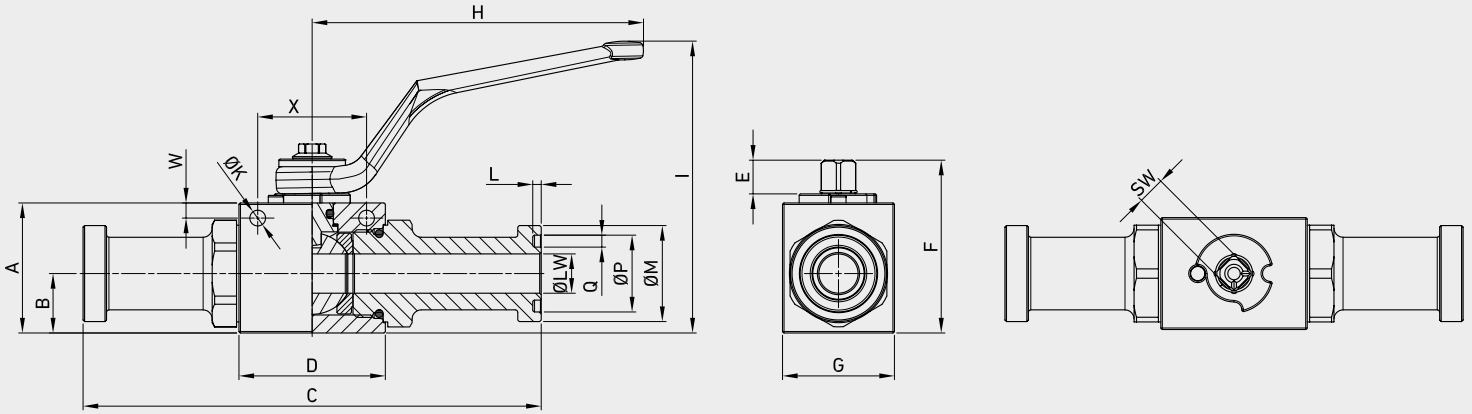
Seal material

B = NBR E = FKM\* F = EPDM\* L = MVQ\*

\*On request

- Reduced bore
- Special threads
- Pressure class up to PN6000 Psi
- Pneumatic and electrical actuator
- Locking device

For further special requests please consult our technical/commercial service.



GES SAE J518 S3000 - C61

TYPE	DN	PN	A	B	C	D	E	F	G	H	I	L	ØM	ØP	Q	ØK*	W*	X*	SW	ØLW	WEIGHT	CS	SS
																						Carbon Steel	Stainless Steel
																						ITEM CODE	
GES3	13	MPa 35	mm 43	19,7	151,5	48,4	11	57	37	110	99,5	2,79	30,2	25,4	3,94	5,25	5	36	9	13	kg 0,96	GE2SSC0L011A000	GE2SSC0L044A000
		Psi 5075	inch 1,69	0,78	5,96	1,91	0,43	2,24	1,46	4,33	3,92	0,11	1,19	1,00	0,16	0,21	0,20	1,42	0,35	0,51	lb 2,12		
GES3	20	MPa 35	mm 55	25,4	162	62,5	14	75,5	45	180	106,5	2,79	38,1	31,75	3,94	6,25	6	50	14	20	kg 1,717	GE2SSC1L011A000	GE2SSC1L044A000
		Psi 5075	inch 2,17	1,00	6,38	2,46	0,55	2,97	1,77	7,09	4,19	0,11	1,50	1,25	0,16	0,25	0,24	1,97	0,55	0,79	lb 3,79		
GES3	25	MPa 35	mm 65	29,5	178	66,5	14	83,5	55	180	116,5	2,79	44,4	39,2	3,94	6,25	6	50	14	25	kg 2,597	GE2SSC2L011A000	GE2SSC2L044A000
		Psi 5075	inch 2,56	1,16	7,01	2,62	0,55	3,29	2,17	7,09	4,59	0,11	1,75	1,54	0,16	0,25	0,24	1,97	0,55	0,98	lb 5,73		

Size only for carbon steel valves with fixing holes included.

GES3 SAE J518 S3000 EXTRA LONG - C61

TYPE	DN	PN	A	B	C	D	E	F	G	H	I	L	ØM	ØP	Q	ØK*	W*	X*	SW	ØLW	WEIGHT	CS
																						Carbon Steel
																						ITEM CODE
GES3	13	MPa 35	mm 43	19,7	170	48,4	11,1	57,25	37	110	97	2,79	30,2	25,4	3,94	5,25	5	36	9	13	kg 1,02	GE2SXC0L011A000
		Psi 5075	inch 1,69	0,78	6,69	1,91	0,44	2,25	1,46	4,33	3,82	0,11	1,19	1,00	0,16	0,21	0,20	1,42	0,35	0,51	lb 2,25	
GES3	20	MPa 35	mm 57	25,4	200	62,5	14,35	75,5	49	180	105	2,79	38,1	31,75	3,94	6,25	6	50	14	19	kg 2,07	GE2SXC1L011A000
		Psi 5075	inch 2,24	1,00	7,87	2,46	0,56	2,97	1,93	7,09	4,13	0,11	1,50	1,25	0,16	0,25	0,24	1,97	0,55	0,75	lb 4,56	
GES3	25	MPa 35	mm 65	29,5	215	66,5	14,35	83,5	55	180	112,6	2,79	44,45	39,62	3,94	6,25	6	50	14	25	kg 2,79	GE2SXC2L011A000
		Psi 5075	inch 2,56	1,16	8,46	2,62	0,56	3,29	2,17	7,09	4,43	0,11	1,75	1,56	0,16	0,25	0,24	1,97	0,55	0,98	lb 6,15	

Size only for carbon steel valves with fixing holes included.

**GES SAE J518 S6000 - C62**

TYPE	DN	PN	A	B	C	D	E	F	G	H	I	L	ØM	ØP	Q	ØK*	W*	X*	SW	ØLW	WEIGHT	CS	SS
																						Carbon Steel	Stainless Steel
																						ITEM CODE	
GES6	13	MPa 42	mm 43	19,7	151,5	48,4	11	57	37	110	99,5	2,79	31,6	25,4	3,94	5,25	5	36	9	13	kg 0,956	GE2SSC6G011A000	GE2SSC6G044A000
		Psi 6090	inch 1,69	0,78	5,96	1,91	0,43	2,24	1,46	4,33	3,92	0,11	1,24	1,00	0,16	0,21	0,20	1,42	0,35	0,51	lb 2,11		
GES6	20	MPa 42	mm 55	25,4	174	62,5	14	75,5	45	180	106,5	2,79	41,3	31,75	3,94	6,25	6	50	14	20	kg 1,792	GE2SSC74011A000	GE2SSC74044A000
		Psi 6090	inch 2,17	1,00	6,85	2,46	0,55	2,97	1,77	7,09	4,19	0,11	1,63	1,25	0,16	0,25	0,24	1,97	0,55	0,79	lb 3,95		
GES6	25	MPa 42	mm 65	29,5	198	66,5	14	83,5	55	180	116,5	2,79	47,8	39,2	3,94	6,25	6	50	14	25	kg 2,759	GE2SSC83011A000	GE2SSC83044A000
		Psi 6090	inch 2,56	1,16	7,80	2,62	0,55	3,29	2,17	7,09	4,59	0,11	1,88	1,54	0,16	0,25	0,24	1,97	0,55	0,98	lb 6,08		

Size only for carbon steel valves with fixing holes included.

**GES6 SAE J518 S6000 EXTRA LONG - C62**

TYPE	DN	PN	A	B	C	D	E	F	G	H	I	L	ØM	ØP	Q	ØK*	W*	X*	SW	ØLW	WEIGHT	CS
																						Carbon Steel
																						ITEM CODE
GES6	13	MPa 42	mm 43	19,7	180	48,4	11,1	57,25	37	110	97	2,79	31,75	25,4	3,94	5,25	5	36	9	13	kg 1,05	GE2SXC6G011A000
		Psi 6090	inch 1,69	0,78	7,09	1,91	0,44	2,25	1,46	4,33	3,82	0,11	1,25	1,00	0,16	0,21	0,20	1,42	0,35	0,51	lb 2,31	
GES6	20	MPa 42	mm 57	25,4	200	62,5	14,35	75,5	49	180	105	2,79	41,3	31,75	3,94	6,25	6	50	14	19	kg 2,11	GE2SXC74011A000
		Psi 6090	inch 2,24	1,00	7,87	2,46	0,56	2,97	1,93	7,09	4,13	0,11	1,63	1,25	0,16	0,25	0,24	1,97	0,55	0,75	lb 4,65	
GES6	25	MPa 42	mm 65	29,5	250	66,5	14,35	83,5	55	180	112,6	2,79	47,63	39,62	3,94	6,25	6	50	14	25	kg 3,07	GE2SXC83011A000
		Psi 6090	inch 2,56	1,16	9,84	2,62	0,56	3,29	2,17	7,09	4,43	0,11	1,88	1,56	0,16	0,25	0,24	1,97	0,55	0,98	lb 6,77	

Size only for carbon steel valves with fixing holes included.



# GEF-S

## 2-WAY HIGH PRESSURE BALL VALVES

Edition. 21.2

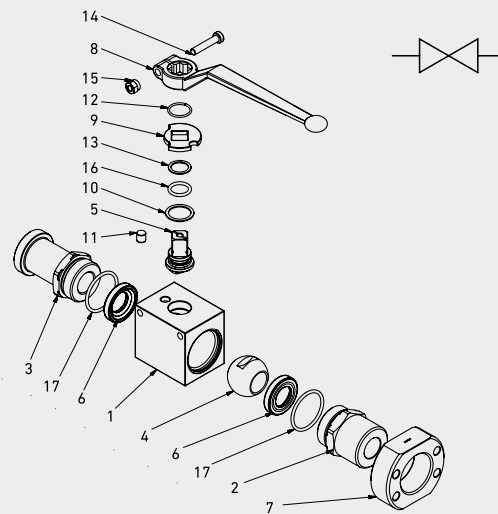
### CS Carbon Steel

- Type: ball valve 2 way
- Sizes: from DN13 up to DN25
- Ends: ISO6162-1/-2  
SAEJ518-1/-2
- Pressure: up to PN420 / S6000
- Temp range: from -20°C to +100°C
- Treatment: Galvanized

### SS Stainless Steel

- Type: ball valve 2 way
- Sizes: from DN13 up to DN25
- Ends: ISO6162-1/-2  
SAEJ518-1/-2
- Pressure: up to PN420 / S6000
- Temp range: from -30°C to +100°C

### STANDARD COMPOSITION OF VALVE



POS	DESCRIPTION	Q.TY	CS	SS
			Carbon Steel	Stainless Steel
			MATERIAL	
1	Body	1	1,0737	1,4404
2	Adapter	1	1,0737	1,4404
3	Plug	1	1,0737	1,4404
4	Ball	1	1,0737	1,4404
5	Stem	1	1,0737	1,4404
6	Ball seat	2	POM	POM
7	Flange	1	1,0737	1,4404
8	Handle	1	ZINC	ZINC
9	Washer	1	1,0116	1,4404
10	Stem ring	1	POM	POM
11	Pin	1	1,0737	1,4404
12	Seeger	1	1,4404	1,4404
13	Stem back up	1	PTFE	PTFE
14	Lever screw	1	ISO1207 8.8	ISO1207 8.8
15	Lever nut	1	ISO7040	ISO7040
16	Stem o-ring	1	NBR	NBR
17	Adapter o-ring	2	NBR	NBR



**CODE DESCRIPTION STRUCTURE**

GE	F3-S3	DN13	1	1	1	1	A	B
----	-------	------	---	---	---	---	---	---

**Type and way of valve**

GE 2-way

**Ends**

Valves dimension of pressure (PSI) F3/S3  
Valves dimension of pressure (PSI) F6/S6

S3000 S6000

**Size**

from DN13 to DN25

**Body Material**

- 1 = 1,0737
- 4 = 1,4404

**Adapter material**

- 1 = 1,0737
- 4 = 1,4404

**Stem material**

- 1 = 1,0737 4 = 1,4404\*
- 4 = 1,4404

**Ball Material**

- 1 = 1,0737 4 = 1,4404\*
- 4 = 1,4404

**Seat material**

A = POM D = PEEK\* G = PA612\* K = GEMPTFE\* C = PTFE\*

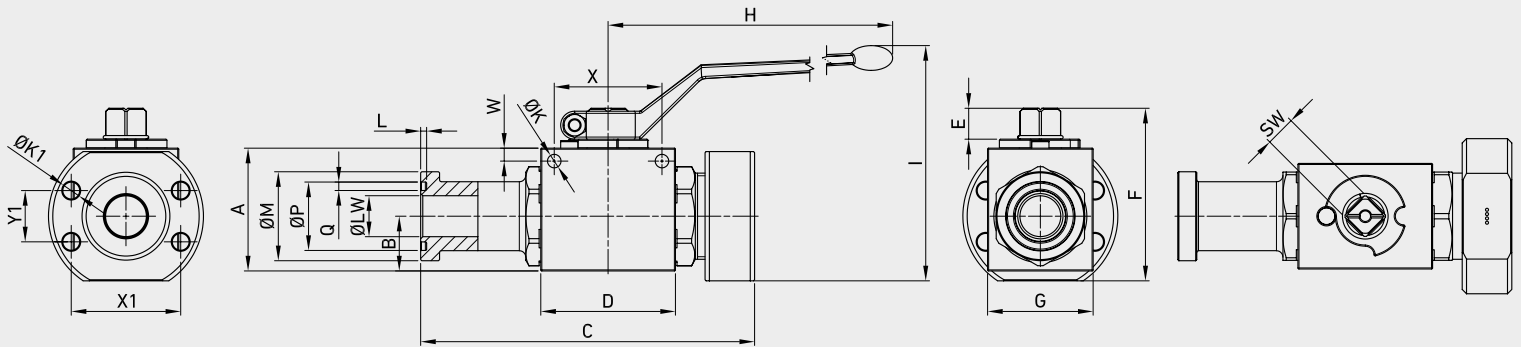
**Seal material**

B = NBR E = FKM\* F = EPDM\* L = MVQ\*

**\*On request**

- Reduced bore
- Special threads
- Pressure class up to PN6000 Psi
- Pneumatic and electrical actuator
- Locking device

*For further special requests please consult our technical/commercial service.*



GEFS3

TYPE	DN	PN	A	B	C	D	E	F	G	H	I	L	ØK1	ØM	ØP	Q	ØK*	W*	X*	X1	Y1	ØLW	SW	WEIGHT	ITEM CODE	
																									CS	SS
GEFS3	13	MPa 35	mm 43	19,7	135,7	48,4	11,1	61,5	37	110	101	2,79	M8	30,2	25,4	3,94	5,25	5	36	38,1	17,5	13	9	kg 1,223	GE2SFC0L011A000	GE2SFC0L044A000
		Psi 5075	inch 1,69	0,77	5,34	1,91	0,44	2,42	1,46	4,33	3,98	0,11		1,19	1,00	0,16	0,21	0,20	1,42	1,50	0,69	0,51	0,35	lb 2,70		
GEFS3	20	MPa 35	mm 57	25,4	149	62,5	14,35	80,1	49	180	109	2,79	M10	38,1	31,75	3,94	6,25	6	50	47,6	22,2	19	14	kg 2,349	GE2SFC1L011A000	GE2SFC1L044A000
		Psi 5075	inch 2,24	1,00	5,87	2,46	0,56	3,15	1,93	7,09	4,29	0,11		1,50	1,25	0,16	0,25	0,24	1,97	1,87	0,87	0,75	0,55	lb 5,18		
GEFS3	25	MPa 35	mm 65	29,5	163	66,5	14,35	89	55	180	118	2,79	M10	44,45	39,62	3,94	6,25	6	50	52,4	26,2	25	14	kg 3,216	GE2SFC2L011A000	GE2SFC2L044A000
		Psi 5075	inch 2,56	1,16	6,42	2,62	0,56	3,50	2,17	7,09	4,65	0,11		1,75	1,56	0,16	0,25	0,24	1,97	2,06	1,03	0,98	0,55	lb 7,09		

Size only for carbon steel valves with fixing holes included.

GEFS3 U

TYPE	DN	PN	A	B	C	D	E	F	G	H	I	L	ØK1	ØM	ØP	Q	ØK*	W*	X*	X1	Y1	ØLW	SW	WEIGHT	ITEM CODE	
																									CS	SS
GEFS3	13	MPa 35	mm 43	19,7	135,7	48,4	11,1	61,5	37	110	101	2,79	5/16-48	30,2	25,4	3,94	5,25	5	36	38,1	17,5	13	9	kg 1,2	GE2S0C0L011A000	GE2S0C0L044A000
		Psi 5075	inch 1,69	0,78	5,34	1,91	0,44	2,42	1,46	4,33	3,98	0,11	UNC	1,19	1,00	0,16	0,21	0,20	1,42	1,50	0,69	0,51	0,35	lb 2,70		
GEFS3	20	MPa 35	mm 57	25,4	149	62,5	14,35	80,1	49	180	109	2,79	3/8-16	38,1	31,75	3,94	6,25	6	50	47,6	22,2	19	14	kg 2,35	GE2S0C1L011A000	GE2S0C1L044A000
		Psi 5075	inch 2,24	1,00	5,87	2,46	0,56	3,15	1,93	7,09	4,29	0,11	UNC	1,50	1,25	0,16	0,25	0,24	1,97	1,87	0,87	0,75	0,55	lb 5,18		
GEFS3	25	MPa 35	mm 65	29,5	163	66,5	14,35	89	55	180	118	2,79	3/8-16	44,45	39,62	3,94	6,25	6	50	52,4	26,2	25	14	kg 3,2	GE2S0C2L011A000	GE2S0C2L044A000
		Psi 5075	inch 2,56	1,16	6,42	2,62	0,56	3,50	2,17	7,09	4,65	0,11	UNC	1,75	1,56	0,16	0,25	0,24	1,97	2,06	1,03	0,98	0,55	lb 7,09		

Size only for carbon steel valves with fixing holes included.

**GEFS6**

																				CS Carbon Steel	SS Stainless Steel					
																				ITEM CODE						
TYPE	DN	PN	A	B	C	D	E	F	G	H	I	L	ØK1	ØM	ØP	Q	ØK*	W*	X*	X1	Y1	ØLW	SW	WEIGHT		
GEFS6	13	MPa 42	mm 43	19,7	135,8	48,4	11,1	61,5	37	110	101	2,79	M8	31,75	25,4	3,94	5,25	5	36	40,5	18,2	13	9	kg 1,217	GE2SFC6G011A000	GE2SFC6G044A000
		Psi 6090	inch 1,69	0,77	5,34	1,91	0,44	2,42	1,46	4,33	3,98	0,11		1,25	1,00	0,16	0,21	0,20	1,42	1,59	0,72	0,51	0,35	lb 2,68		
GEFS6	20	MPa 42	mm 57	25,4	155	62,5	14,35	80,1	49	180	109	2,79	M10	41,3	31,75	3,94	6,25	6	50	50,8	23,8	19	14	kg 2,273	GE2SFC74011A000	GE2SFC74044A000
		Psi 6090	inch 2,24	1,00	6,10	2,46	0,56	3,15	1,93	7,09	4,29	0,11		1,63	1,25	0,16	0,25	0,24	1,97	2,00	0,94	0,75	0,55	lb 5,01		
GEFS6	25	MPa 42	mm 65	29,5	173	66,5	14,35	89	55	180	118	2,79	M12	47,63	39,62	3,94	6,25	6	50	57,2	27,8	25	14	kg 3,309	GE2SFC83011A000	GE2SFC83044A000
		Psi 6090	inch 2,56	1,16	6,81	2,62	0,56	3,50	2,17	7,09	4,65	0,11		1,88	1,56	0,16	0,25	0,24	1,97	2,25	1,09	0,98	0,55	lb 7,30		

Size only for carbon steel valves with fixing holes included.

**GEFS6 U**

																				CS Carbon Steel	SS Stainless Steel					
																				ITEM CODE						
TYPE	DN	PN	A	B	C	D	E	F	G	H	I	L	ØK1	ØM	ØP	Q	ØK*	W*	X*	X1	Y1	ØLW	SW	WEIGHT		
GEFS6	13	MPa 42	mm 43	19,7	135,8	48,4	11,1	61,5	37	110	101	2,79	5/16-18	31,75	25,4	3,94	5,25	5	36	40,5	18,2	13	9	kg 1,217	GE2S0C6G011A000	GE2S0C6G044A000
		Psi 6090	inch 1,69	0,77	5,34	1,91	0,44	2,42	1,46	4,33	3,98	0,11	UNC	1,25	1,00	0,16	0,21	0,20	1,42	1,59	0,72	0,51	0,35	lb 2,68		
GEFS6	20	MPa 42	mm 57	25,4	155	62,5	14,35	80,1	49	180	109	2,79	3/8-16	41,3	31,75	3,94	6,25	6	50	50,8	23,8	19	14	kg 2,273	GE2S0C74011A000	GE2S0C74044A000
		Psi 6090	inch 2,24	1,00	6,10	2,46	0,56	3,15	1,93	7,09	4,29	0,11	UNC	1,63	1,25	0,16	0,25	0,24	1,97	2,00	0,94	0,75	0,55	lb 5,01		
GEFS6	25	MPa 42	mm 65	29,5	173	66,5	14,35	89	55	180	118	2,79	7/16-14	47,63	39,62	3,94	6,25	6	50	57,2	27,8	25	14	kg 3,309	GE2S0C83011A000	GE2S0C83044A000
		Psi 6090	inch 2,56	1,16	6,81	2,62	0,56	3,50	2,17	7,09	4,65	0,11	UNC	1,88	1,56	0,16	0,25	0,24	1,97	2,25	1,09	0,98	0,55	lb 7,30		

Size only for carbon steel valves with fixing holes included.



# GB1

## 2-WAY HIGH PRESSURE BALL VALVES

Edition. 21.3

### CS Carbon Steel

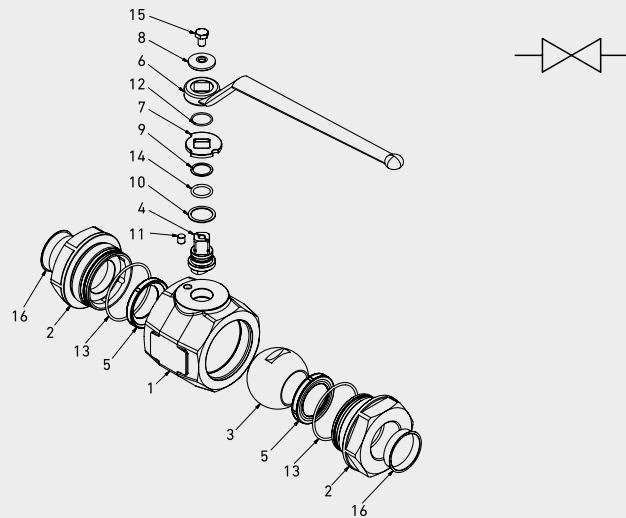
- Type: forged ball valve 2 way
- Sizes: from DN32 up to DN50
- Ends: BSP-NPT-SAE
- Pressure: up to PN420
- Temp range: from -30°C to +100°C (body -46°C)
- Treatment: Galvanized

### SS Stainless Steel

- Type: forged ball valve 2 way
- Sizes: from DN32 up to DN50
- Ends: BSP-NPT-SAE
- Pressure: up to PN420
- Temp range: from -30°C to +100°C (body -46°C)

DNV Certified

### STANDARD COMPOSITION OF VALVE



POS	DESCRIPTION	Q.TY	CS	SS
			Carbon Steel	Stainless Steel
			MATERIAL	
1	Body	1	1,0570	1,4404
2	Adapter	2	1,0570	1,4404
3	Ball	1	1,0737	1,4404
4	Stem	1	1,0737	1,4404
5	Ball seat	2	POM	POM
6	Handle	1	1,0116	1,0116
7	Washer	1	1,0116	1,4031
8	Washer	1	1,0737	1,4031
9	Back-up	1	PTFE	PTFE
10	Stem ring	1	POM	POM
11	Pin	1	1,0737	1,4404
12	Seeger	1	1,4404	1,4404
13	Adapter o-ring	4	NBR	NBR
14	Stem o-ring	1	NBR	NBR
15	Screw	1	ISO4017 8.8	ISO4017 A4
16	Caps	2	PVC	PVC





CODE DESCRIPTION STRUCTURE

GB1	G 1 1/2	DN32	L	L	1	1	A	B
-----	---------	------	---	---	---	---	---	---

Type and way of valve

GB1 2-way

Ends

GAS DIN/ ISO 228 BSP	NPT ANSI /ASME B1.20.1	SAE J1926-1	DIN 2353 LIGHT SERIES	DIN 2353 HEAVY SERIES
G 1 1/4	N 1 1/4	SAE20	35L	38S
G 1 1/2	N 1 1/2	SAE24	42L	
G 2	N 2	SAE32		

Size

from DN32 to DN50

Body Material

- L = 1,0570
- 4 = 1,4404

Adapter material

- L = 1,0570
- 4 = 1,4404

Stem material

- 1 = 1,0737 4 = 1,4404\*
- 4 = 1,4404

Ball Material

- 1 = 1,0737 4 = 1,4404\*
- 4 = 1,4404

Seat material

A = POM D = PEEK\* G = PA612\* K = GEMPTFE\* C = PTFE\*

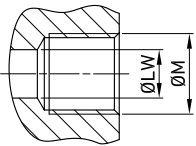
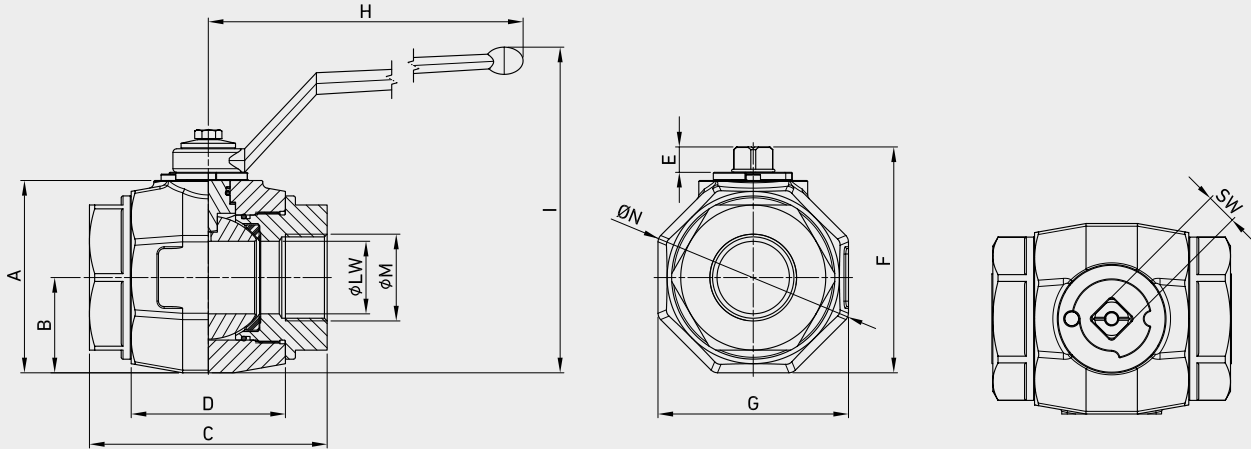
Seal material

B = NBR E = FKM\* F = EPDM\* L = MVQ\*

\*On request

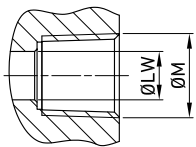
- Reduced bore
- Special threads
- Pressure class up to PN42 MPa
- Pneumatic and electrical actuator
- Security block
- Locking device

For further special requests please consult our technical/commercial service.



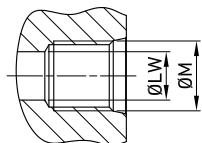
GB1 DIN/ISO 228 BSP

TYPE	DN	PN	A	B	C	D	E	F	ØN	H	I	ØM	G	SW	ØLW	WEIGHT	CS	SS			
																	Carbon Steel	Stainless Steel			
																	ITEM CODE				
GB1 G 1 1/4	32	MPa	42	mm	89	42,5	115	75	14	107,5	92	310	162,5	G 1	85	17	32	kg	4,489	GB1GGT6G0L1A000	GB1GGT6G044A000
		Psi	6090	inch	3,50	1,67	4,53	2,95	0,55	4,23	3,62	12,20	6,40	1/4	3,35	0,67	1,26	lb	9,90		
GB1 G 1 1/2	40	MPa	42	mm	106	52,5	131	85	14	124,5	113	310	179,5	G 1	105	17	40	kg	6,750	GB1GGT7G0L1A000	GB1GGT7G044A000
		Psi	6090	inch	4,17	2,07	5,16	3,35	0,55	4,90	4,45	12,20	7,07	1/2	4,13	0,67	1,57	lb	14,88		
GB1 G 2	50	MPa	42	mm	115,5	58,5	140	97,85	14	134	126	310	189	G 2	117	17	50	kg	8,708	GB1GGT8G0L1A000	GB1GGT8G044A000
		Psi	6090	inch	4,55	2,30	5,51	3,85	0,55	5,28	4,96	12,20	7,44		4,61	0,67	1,97	lb	19,20		

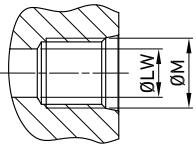
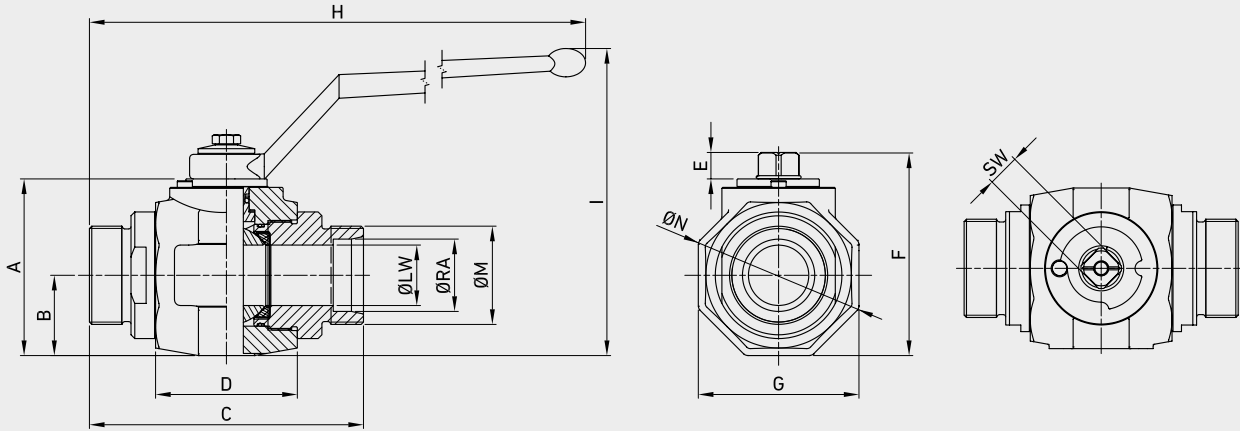


GB1 ANSI/ASME B1.20.1 NPT

TYPE	DN	PN	A	B	C	D	E	F	ØN	H	I	ØM	G	SW	ØLW	WEIGHT	CS	SS			
																	Carbon Steel	Stainless Steel			
																	ITEM CODE				
GB1 N 1 1/4	32	MPa	42	mm	89	42,5	115	75	14	107,5	92	310	162,5	N 1	85	17	32	kg	4,489	GB1NNT6G0L1A000	GB1NNT6G044A000
		Psi	6090	inch	3,50	1,67	4,53	2,95	0,55	4,23	3,62	12,20	6,40	1/4	3,35	0,67	1,26	lb	9,90		
GB1 N 1 1/2	40	MPa	42	mm	106	52,5	131	85	14	124,5	113	310	179,5	N 1	105	17	40	kg	6,774	GB1NNT7G0L1A000	GB1NNT7G044A000
		Psi	6090	inch	4,17	2,07	5,16	3,35	0,55	4,90	4,45	12,20	7,07	1/2	4,13	0,67	1,57	lb	14,93		
GB1 N 2	50	MPa	42	mm	115,5	58,5	140	97,85	14	134	126	310	189	N 2	117	17	50	kg	8,708	GB1NNT8G0L1A000	GB1NNT8G044A000
		Psi	6090	inch	4,55	2,30	5,51	3,85	0,55	5,28	4,96	12,20	7,44		4,61	0,67	1,97	lb	19,20		

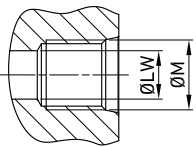

**GB1 SAE J1926-1**

TYPE	DN	PN		A	B	C	D	E	F	ØN	H	I	ØM	G	SW	ØLW	WEIGHT	CS	SS		
		MPa	Psi															Carbon Steel	Stainless Steel		
																			ITEM CODE		
GB1 SAE20	32	MPa	42	mm	89	42,5	115	75	14	107,5	92	310	162,5	1 5/8	85	17	32	kg	4,489	GB1EEE5G0L1A000	GB1EEE5G044A000
		Psi	6090	inch	3,50	1,67	4,53	2,95	0,55	4,23	3,62	12,20	6,40	UNF	3,35	0,67	1,26	lb	9,90		
GB1 SAE24	40	MPa	42	mm	106	52,5	131	85	14	124,5	113	310	179,5	1 7/8	105	17	40	kg	6,822	GB1EEE6G0L1A000	GB1EEE6G044A000
		Psi	6090	inch	4,17	2,07	5,16	3,35	0,55	4,90	4,45	12,20	7,07	UNF	4,13	0,67	1,57	lb	15,04		
GB1 SAE32	50	MPa	42	mm	115,5	58,5	140	97,85	14	134	126	310	189	1 1/2	117	17	50	kg	8,708	GB1EEE7G0L1A000	GB1EEE7G044A000
		Psi	6090	inch	4,55	2,30	5,51	3,85	0,55	5,28	4,96	12,20	7,44	UNF	4,61	0,67	1,97	lb	19,20		



GB1 DIN 2353 LIGHT SERIES

TYPE	DN	PN	A	B	C	D	E	F	ØN	H	I	ØM	G	SW	ØRA	ØLW	WEIGHT	CS	SS			
																		Carbon Steel	Stainless Steel			
																		ITEM CODE				
GB1 35L	32	MPa	42	mm	93	46,5	135	75,3	14,5	111,5	97	300	111,3	M45X2	88	17	38,3	32	kg	3,400	GB2DDLA3021A000	GB2DDLA3044A000
		Psi	6090	inch	3,66	1,83	5,31	2,96	0,57	4,39	3,82	11,81	4,38		3,46	0,67	1,51	1,26	lb	7,50		
GB1 42L	40	MPa	42	mm	106	52,5	142	85	14	124,5	113	310	179,5	M52X2	105	17	42,3	38	kg	4,854	GB2DDL3021A000	GB2DDL3044A000
		Psi	6090	inch	4,17	2,07	5,59	3,35	0,55	4,90	4,45	12,20	7,07		4,13	0,67	1,67	1,50	lb	10,70		



GB1 DIN 2353 LIGHT SERIES

TYPE	DN	PN	A	B	C	D	E	F	ØN	H	I	ØM	G	SW	ØRA	ØLW	WEIGHT	CS	SS			
																		Carbon Steel	Stainless Steel			
																		ITEM CODE				
GB1 38S	32	MPa	42	mm	89	42,5	145	75	14	107,5	92	310	162	M52x2	85	17	38,3	32	kg	4,400	GB2DDS93021A000	GB2DDS93044A000
		Psi	6090	inch	3,50	1,67	5,71	2,95	0,55	4,23	3,62	12,20	6,38		3,35	0,67	1,51	1,26	lb	9,70		





# GB3

## 3-WAY HIGH PRESSURE BALL VALVES

Edition. 21.2

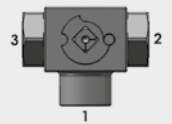
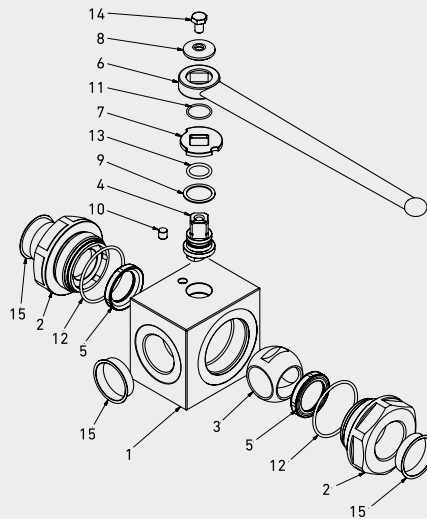
### CS Carbon Steel

- Type: ball valve 3 way
- Sizes: from DN32 up to DN50
- Ends: BSP-NPT
- Pressure: up to PN350
- Temp range: from -20°C to +100°C
- Treatment: Galvanized

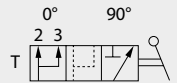
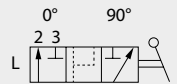
### SS Stainless Steel

- Type: ball valve 3 way
- Sizes: from DN32 up to DN50
- Ends: BSP-NPT
- Pressure: up to PN350
- Temp range: from -30°C to +100°C

### STANDARD COMPOSITION OF VALVE



**WARNING!**  
Pressure inlet only from center port 1



POS	DESCRIPTION	Q.TY	CS	SS
			Carbon Steel	Stainless Steel
			MATERIAL	
1	Body	1	1,0570	1,4404
2	Adapter	2	1,0570	1,4404
3	Ball	1	1,0737	1,4404
4	Stem	1	1,0737	1,4404
5	Ball seat	2	POM	POM
6	Handle	1	1,0116	1,0116
7	Washer	1	1,0116	1,4404
8	Washer	1	1,0116	1,4404
9	Stem ring	1	POM	POM
10	Pin	1	1,0737	1,4404
11	Seeger	1	1,4404	1,4404
12	Adapter o-ring	4	NBR	NBR
13	Stem o-ring	1	NBR	NBR
14	Screw	1	ISO4017 8.8	ISO4017 A4
15	Caps	3	PVC	PVC



CODE DESCRIPTION STRUCTURE

GB3	G1 1/2	DN40	2	2	1	1	A	B
-----	--------	------	---	---	---	---	---	---

Type and way of valve

GB3 3-way

Ends

GAS DIN/ NPT ANSI  
ISO 228 /ASME  
BSP B1.20.1

G1 1/4 N1 1/4  
G1 1/2 N1 1/2  
G2 N2

Size

from DN32 to DN50

Body Material

- 2 = 1,0570
- 4 = 1,4404

Adapter material

- 2 = 1,0570
- 4 = 1,4404

Stem material

- 1 = 1,0737 4 = 1,4404\*
- 4 = 1,4404

Ball Material

- 1 = 1,0737 4 = 1,4404\*
- 4 = 1,4404

Seat material

A = POM D = PEEK\* G = PA612\* K = GEMPTFE\* C = PTFE\*

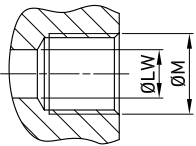
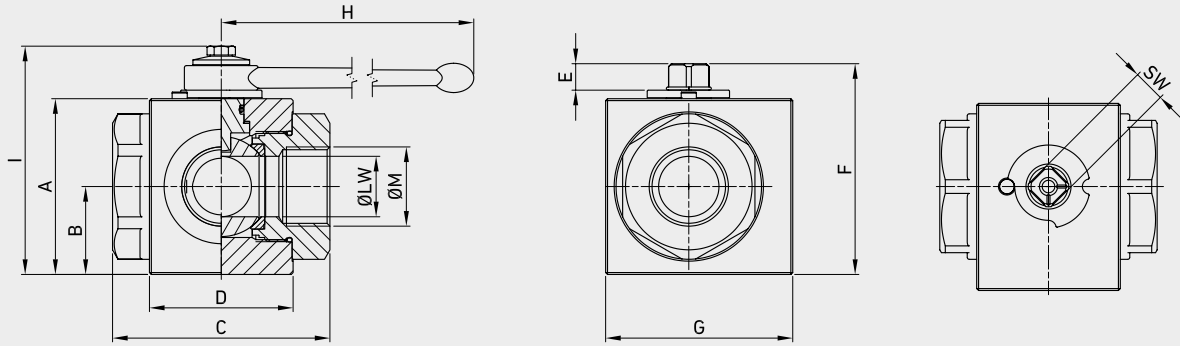
Seal material

B = NBR E = FKM\* F = EPDM\* L = MVQ\*

\*On request

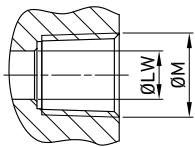
- Reduced bore
- Special threads
- Pressure class up to PN35 MPa
- Pneumatic and electrical actuator
- Locking device

For further special requests please consult our technical/commercial service.



GB3 DIN/ISO 228 BSP

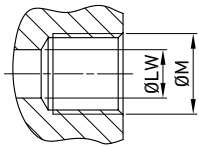
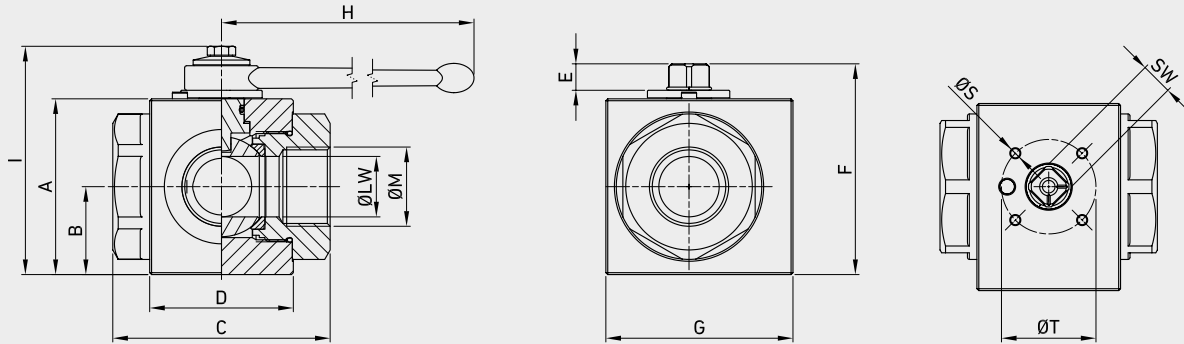
TYPE	DN	PN	A	B	C	D	E	F	G	H	I	ØM	SW	ØLW	WEIGHT	CS	SS
																Carbon Steel	Stainless Steel
																ITEM CODE	
GB3 G1 1/4	32	MPa 35	mm 93	46,5	115	75	13,5	111,5	99	300	120,5	G 1 1/4	17	32	kg 5,725	GB3GGT63021A000	GB3GGT63044A000
		Psi 5075	inch 3,66	1,83	4,53	2,95	0,53	4,39	3,90	11,81	4,74						
GB3 G1 1/2	40	MPa 35	mm 107	53,5	131	85	13,5	125,5	115	300	134,5	G 1 1/2	17	40	kg 8,632	GB3GGT73021A000	GB3GGT73044A000
		Psi 5075	inch 4,21	2,11	5,16	3,35	0,53	4,94	4,53	11,81	5,30						
GB3 G 2	50	MPa 35	mm 114	57	140	98	13,5	132,5	128	300	141,5	G 2	17	50	kg 10,607	GB3GGT83021A000	GB3GGT83044A000
		Psi 5075	inch 4,49	2,24	5,51	3,86	0,53	5,22	5,04	11,81	5,57						



GB3 ANSI/ASME B1.20.1 NPT

TYPE	DN	PN	A	B	C	D	E	F	G	H	I	ØM	SW	ØLW	WEIGHT	CS	SS
																Carbon Steel	Stainless Steel
																ITEM CODE	
GB3 N 1 1/4	32	MPa 35	mm 93	46,5	115	75	13,5	111,5	99	300	120,5	N 1 1/4	17	32	kg 5,725	GB3NNT63021A000	GB3NNT63044A000
		Psi 5075	inch 3,66	1,83	4,53	2,95	0,53	4,39	3,90	11,81	4,74						
GB3 N 1 1/2	40	MPa 35	mm 107	53,5	131	85	13,5	125,5	115	300	134,5	N 1 1/2	17	40	kg 8,632	GB3NNT73021A000	GB3NNT73044A000
		Psi 5075	inch 4,21	2,11	5,16	3,35	0,53	4,94	4,53	11,81	5,30						
GB3 N 2	50	MPa 35	mm 114	57	140	98	13,5	132,5	128	300	141,5	N 2	17	50	kg 10,607	GB3NNT83021A000	GB3NNT83044A000
		Psi 5075	inch 4,49	2,24	5,51	3,86	0,53	5,22	5,04	11,81	5,57						

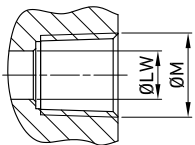




### GB3 DIN/ISO 228 BSP

Assembling threads per ISO5211

TYPE	DN	PN	Assembling threads per ISO5211													ITEM CODE				
			A	B	C	D	E	F	G	H	I	ØM	ØS	ØT	ISO5211	SW	ØLW	WEIGHT	CS Carbon Steel	SS Stainless Steel
GB3 G 1 1/4	32	MPa 35	mm 93	46,5	115	75	13,5	111,5	99	300	120,5	G 1	M6	50	F05	17	32	kg 5,725	GB3GGT63021AF50	GB3GGT63044AF50
		Psi 5075	inch 3,66	1,83	4,53	2,95	0,53	4,39	3,90	11,81	4,74	1/4		1,97		0,67	1,26	lb 12,62		
GB3 G 1 1/2	40	MPa 35	mm 107	53,5	131	85	13,5	125,5	115	300	134,5	G 1	M6	50	F05	17	40	kg 8,632	GB3GGT73021AF50	GB3GGT73044AF50
		Psi 5075	inch 4,21	2,11	5,16	3,35	0,53	4,94	4,53	11,81	5,30	1/2		1,97		0,67	1,57	lb 19,03		
GB3 G 2	50	MPa 35	mm 114	57	140	98	13,5	132,5	128	300	141,5	G 2	M6	50	F05	17	50	kg 10,607	GB3GGT83021AF50	GB3GGT83044AF50
		Psi 5075	inch 4,49	2,24	5,51	3,86	0,53	5,22	5,04	11,81	5,57			1,97		0,67	1,97	lb 23,38		



### GB3 ANSI/ASME B1.20.1 NPT

Assembling threads per ISO5211

TYPE	DN	PN	Assembling threads per ISO5211													ITEM CODE				
			A	B	C	D	E	F	G	H	I	ØM	ØS	ØT	ISO5211	SW	ØLW	WEIGHT	CS Carbon Steel	SS Stainless Steel
GB3 N 1 1/4	32	MPa 35	mm 93	46,5	115	75	13,5	111,5	99	300	120,5	N 1	M6	50	F05	17	32	kg 5,725	GB3NNT63021AF50	GB3NNT63044AF50
		Psi 5075	inch 3,66	1,83	4,53	2,95	0,53	4,39	3,90	11,81	4,74	1/4		1,97		0,67	1,26	lb 12,62		
GB3 N 1 1/2	40	MPa 35	mm 107	53,5	131	85	13,5	125,5	115	300	134,5	N 1	M6	50	F05	17	40	kg 8,632	GB3NNT73021AF50	GB3NNT73044AF50
		Psi 5075	inch 4,21	2,11	5,16	3,35	0,53	4,94	4,53	11,81	5,30	1/2		1,97		0,67	1,57	lb 19,03		
GB3 N 2	50	MPa 35	mm 114	57	140	98	13,5	132,5	128	300	141,5	N 2	M6	50	F05	17	50	kg 10,607	GB3NNT83021AF50	GB3NNT83044AF50
		Psi 5075	inch 4,49	2,24	5,51	3,86	0,53	5,22	5,04	11,81	5,57			1,97		0,67	1,97	lb 23,38		



# GBF

## 2-WAY HIGH PRESSURE BALL VALVES

Edition. 21.3

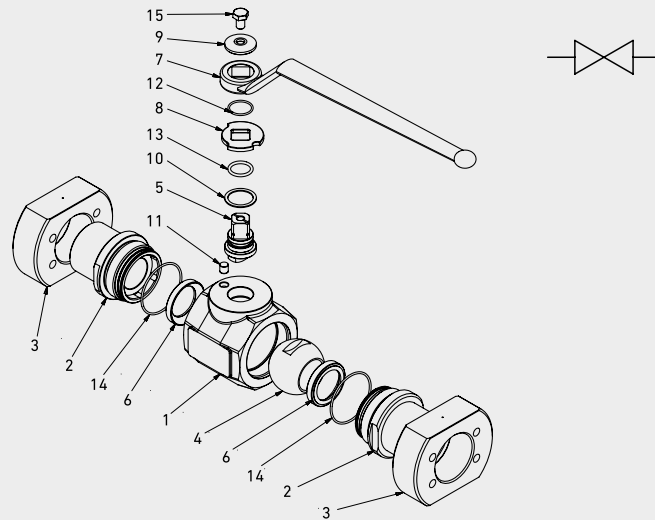
### CS Carbon Steel

- Type: forged ball valve 2 way
- Sizes: from DN32 up to DN50
- Ends: ISO6162-1/-2, SAEJ518-1/-2
- Pressure: up to PN420 / S6000
- Temp range: from -30°C to +100°C (body -46°C)
- Treatment: Galvanized

### SS Stainless Steel

- Type: forged ball valve 2 way
- Sizes: from DN32 up to DN50
- Ends: ISO6162-1/-2, SAEJ518-1/-2
- Pressure: up to PN420 / S6000
- Temp range: from -30°C to +100°C (body -46°C)

### STANDARD COMPOSITION OF VALVE



POS	DESCRIPTION	Q.TY	CS	SS
			Carbon Steel	Stainless Steel
			MATERIAL	
1	Body	1	1,0570	1,4404
2	Adapter	2	1,0570	1,4404
3	Ball	1	1,0737	1,4404
4	Stem	1	1,0737	1,4404
5	Ball seat	2	POM	POM
6	Handle	1	1,0116	1,0116
7	Washer	1	1,0116	1,4404
8	Washer	1	1,0737	1,4404
9	Flange	2	1,0570	1,4404
10	Stem ring	1	POM	POM
11	Pin	1	1,0737	1,4404
12	Seeger	1	1,4404	1,4404
13	Adapter o-ring	4	NBR	NBR
14	Stem o-ring	1	NBR	NBR
15	Screw	1	ISO4017 8.8	ISO4017 A4



**CODE DESCRIPTION STRUCTURE**

<b>GB</b>	<b>F3</b>	<b>DN32</b>	<b>2</b>	<b>2</b>	<b>1</b>	<b>1</b>	<b>A</b>	<b>B</b>
-----------	-----------	-------------	----------	----------	----------	----------	----------	----------

**Type and way of valve** \_\_\_\_\_

GB 2-way

**Ends** \_\_\_\_\_

**Valves dimension of pressure (PSI) F3**    **Valves dimension of pressure (PSI) F6**

S3000    S6000

**Size** \_\_\_\_\_

from DN32 to DN50

**Body Material** \_\_\_\_\_

- 2 = 1,0570
- 4 = 1,4404

**Adapter material** \_\_\_\_\_

- 2 = 1,0570
- 4 = 1,4404

**Stem material** \_\_\_\_\_

- 1 = 1,0737    4 = 1,4404\*
- 4 = 1,4404

**Ball Material** \_\_\_\_\_

- 1 = 1,0737    4 = 1,4404\*
- 4 = 1,4404

**Seat material** \_\_\_\_\_

A = POM    D = PEEK\*    G = PA612\*    K = GEMPTFE\*    C = PTFE\*

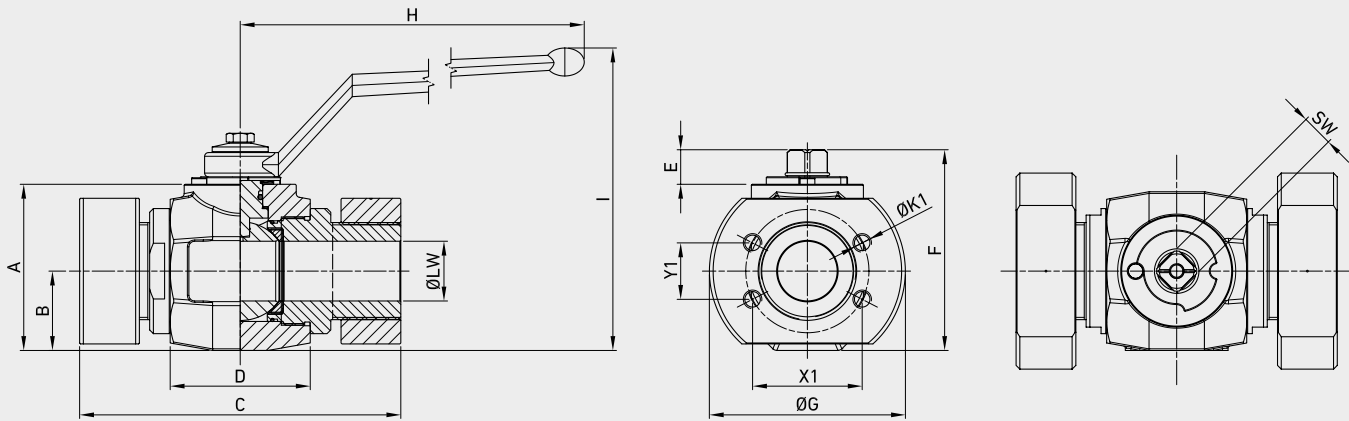
**Seal material** \_\_\_\_\_

B = NBR    E = FKM\*    F = EPDM\*    L = MVQ\*

\*On request

- Reduced bore
- Special threads
- Pressure class up to PN5000 Psi
- Pneumatic and electrical actuator
- Locking device

*For further special requests please consult our technical/commercial service.*



GBF SAE J518 S3000 - F61

TYPE	DN	PN	A	B	C	D	E	F	ØG	H	I	ØK1	X1	Y1	SW	ØLW	WEIGHT	CS	SS
																		Carbon Steel	Stainless Steel
																		ITEM CODE	
GBF3	32	MPa 28	mm 89	42,5	172	75	14	107,5	105	310	162	M10	58,7	30,2	17	32	kg 8,102	GB2FFC3L021A000	GB2FFC3L044A000
		Psi 4060	inch 3,50	1,67	6,77	2,95	0,55	4,23	4,13	12,20	6,38		2,31	1,19	0,67	1,26	lb 17,86		
GBF3	40	MPa 21	mm 106	52,5	176,5	85	14	124,5	120	310	180	M12	69,8	35,7	17	40	kg 11,142	GB2FFC4L021A000	GB2FFC4L044A000
		Psi 3045	inch 4,17	2,07	6,95	3,35	0,55	4,90	4,72	12,20	7,09		2,75	1,41	0,67	1,57	lb 24,56		
GBF3	50	MPa 21	mm 115,5	58,5	196	98	14	134	145	310	190	M12	77,8	42,9	17	50	kg 15,343	GB2FFC5L021A000	GB2FFC5L044A000
		Psi 3045	inch 4,55	2,30	7,72	3,86	0,55	5,28	5,71	12,20	7,48		3,06	1,69	0,67	1,97	lb 33,83		

GBF SAE J518 S3000 UNC - F61

TYPE	DN	PN	A	B	C	D	E	F	ØG	H	I	ØK1	X1	Y1	SW	ØLW	WEIGHT	CS	SS
																		Carbon Steel	Stainless Steel
																		ITEM CODE	
GBF3	32	MPa 28	mm 89	42,5	172	75	14	107,5	98	310	163	7/16-14	58,7	30,2	17	32	kg 8,102	GB2FUC3L021A000	GB2FUC3L044A000
		Psi 4060	inch 3,50	1,67	6,77	2,95	0,55	4,23	3,86	12,20	6,42	UNC	2,31	1,19	0,67	1,26	lb 17,86		
GBF3	40	MPa 21	mm 106	52,5	176,5	85	14	124,5	113	310	180	1/2-13	69,8	35,7	17	40	kg 11,142	GB2FUC4L021A000	GB2FUC4L044A000
		Psi 3045	inch 4,17	2,07	6,95	3,35	0,55	4,90	4,45	12,20	7,09	UNC	2,75	1,41	0,67	1,57	lb 24,56		
GBF3	50	MPa 21	mm 115,5	58,5	196	98	14	134	123	310	190	1/2-13	77,8	42,9	17	50	kg 15,343	GB2FUC5L021A000	GB2FUC5L044A000
		Psi 3045	inch 4,55	2,30	7,72	3,86	0,55	5,28	4,84	12,20	7,48	UNC	3,06	1,69	0,67	1,97	lb 33,83		

**GBF SAE J518 S6000 - F62**

TYPE	DN	PN															ITEM CODE					
																	CS Carbon Steel	SS Stainless Steel				
				A	B	C	D	E	F	ØG	H	I	ØK1	X1	Y1	SW	ØLW	WEIGHT				
GBF6	32	MPa	42	mm	89	42,5	172	75	14	107,5	98	310	160	M12	66,7	31,8	17	32	kg	8,102	GB2FFC93021A000	GB2FFC93044A000
		Psi	6090	inch	3,50	1,67	6,77	2,95	0,55	4,23	3,86	12,20	6,30		2,63	1,25	0,67	1,26	lb	17,86		
GBF6	40	MPa	42	mm	106	52,5	176,5	85	14	124,5	113	310	180	M16	79,4	36,5	17	40	kg	11,142	GB2FFCA3021A000	GB2FFCA3044A000
		Psi	6090	inch	4,17	2,07	6,95	3,35	0,55	4,90	4,45	12,20	7,09		3,13	1,44	0,67	1,57	lb	24,56		
GBF6	50	MPa	42	mm	115,5	58,5	196	98	14	134	123	310	190	M20	96,8	44,5	17	50	kg	15,343	GB2FFCB3021A000	GB2FFCB3044A000
		Psi	6090	inch	4,55	2,30	7,72	3,86	0,55	5,28	4,84	12,20	7,48		3,81	1,75	0,67	1,97	lb	33,83		

**GBF SAE J518 S6000 UNC - F62**

TYPE	DN	PN															ITEM CODE					
																	CS Carbon Steel	SS Stainless Steel				
				A	B	C	D	E	F	ØG	H	I	ØK1	X1	Y1	SW	ØLW	WEIGHT				
GBF6	32	MPa	42	mm	89	42,5	172	75	14	107,5	98	310	163	1/2-13	66,7	31,8	17	32	kg	8,102	GB2FUC93021A000	GB2FUC93044A000
		Psi	6090	inch	3,50	1,67	6,77	2,95	0,55	4,23	3,86	12,20	6,42	UNC	2,63	1,25	0,67	1,26	lb	17,86		
GBF6	40	MPa	42	mm	106	52,5	176,5	85	14	124,5	113	310	180	5/8-11	79,4	36,5	17	40	kg	11,142	GB2FUCA3021A000	GB2FUCA3044A000
		Psi	6090	inch	4,17	2,07	6,95	3,35	0,55	4,90	4,45	12,20	7,09	UNC	3,13	1,44	0,67	1,57	lb	24,56		
GBF6	50	MPa	42	mm	115,5	58,5	196	98	14	134	123	310	190	3/4-10	96,8	44,5	17	50	kg	15,343	GB2FUCB3021A000	GB2FUCB3044A000
		Psi	6090	inch	4,55	2,30	7,72	3,86	0,55	5,28	4,84	12,20	7,48	UNC	3,81	1,75	0,67	1,97	lb	33,83		

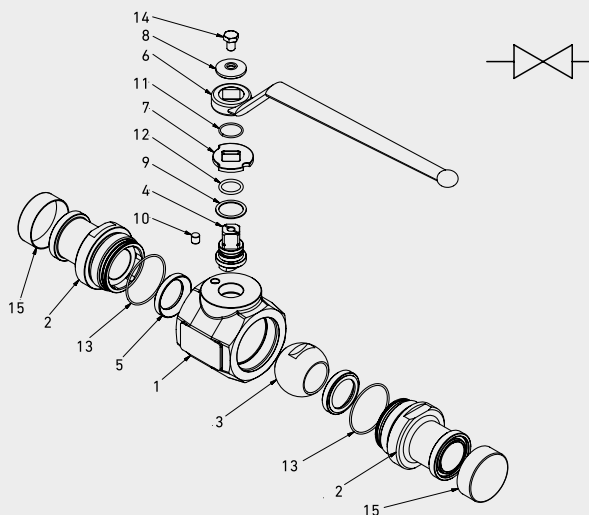


# GBS

## 2-WAY HIGH PRESSURE BALL VALVES

Edition. 21.4

### STANDARD COMPOSITION OF VALVE



#### CS Carbon Steel

- Type: forged ball valve 2 way
- Sizes: from DN32 up to DN50
- Ends: SAE J518
- Pressure: up to PN420 / S6000
- Temp range: from -30°C to +100°C (body -46°C)
- Treatment: Galvanized

#### SS Stainless Steel

- Type: forged ball valve 2 way
- Sizes: from DN32 up to DN50
- Ends: SAE J518
- Pressure: up to PN420 / S6000
- Temp range: from -30°C to +100°C (body -46°C)

POS	DESCRIPTION	Q.TY	CS	SS
			Carbon Steel	Stainless Steel
			MATERIAL	
1	Body	1	1,0570	1,4404
2	Adapter	2	1,0570	1,4404
3	Ball	1	1,0737	1,4404
4	Stem	1	1,0737	1,4404
5	Ball seat	2	POM	POM
6	Handle	1	1,0116	1,0116
7	Washer	1	1,0116	1,4404
8	Washer	1	1,0737	1,4404
9	Stem ring	1	POM	POM
10	Pin	1	1,0737	1,4404
11	Seeger	1	1,4404	1,4404
12	Adapter o-ring	4	NBR	NBR
13	Stem o-ring	1	NBR	NBR
14	Screw	1	ISO4017 8.8	ISO4017 A4
15	Caps	2	PVC	PVC



**CODE DESCRIPTION STRUCTURE**

<b>GB</b>	<b>S3</b>	<b>DN32</b>	<b>2</b>	<b>2</b>	<b>1</b>	<b>1</b>	<b>A</b>	<b>B</b>
-----------	-----------	-------------	----------	----------	----------	----------	----------	----------

**Type and way of valve**

GB 2-way

**Ends**

Valves dimension of pressure (PSI) F3-S3  
Valves dimension of pressure (PSI) F6-S6

S3000 S6000

**Size**

from DN32 to DN50

**Body Material**

- 2 = 1,0570
- 4 = 1,4404

**Adapter material**

- 2 = 1,0570
- 4 = 1,4404

**Stem material**

- 1 = 1,0737 4 = 1,4404\*
- 4 = 1,4404

**Ball Material**

- 1 = 1,0737 4 = 1,4404\*
- 4 = 1,4404

**Seat material**

A = POM D = PEEK\* G = PA612\* K = GEMPTFE\* C = PTFE\*

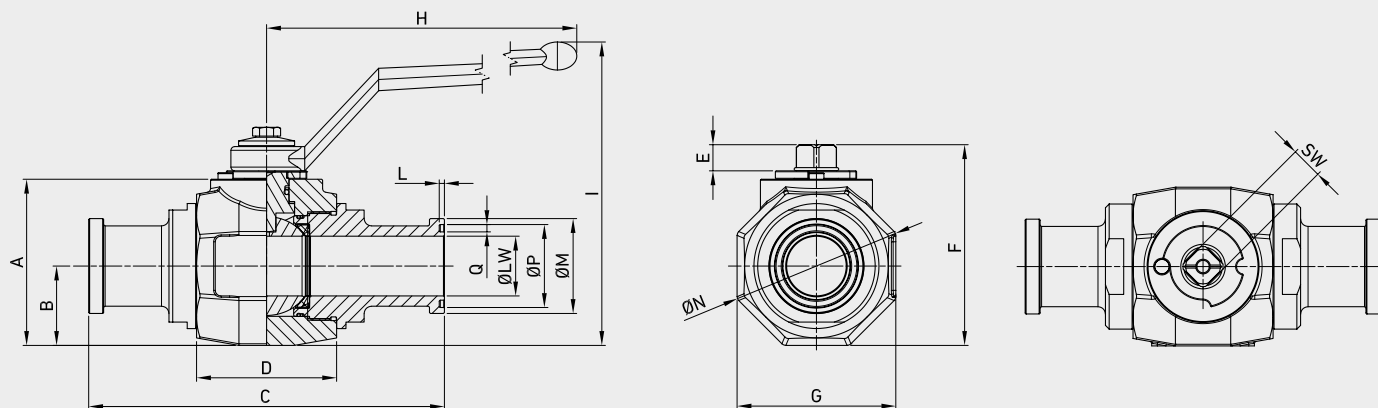
**Seal material**

B = NBR E = FKM\* F = EPDM\* L = MVQ\*

**\*On request**

- Reduced bore
- Special threads
- Pressure class up to PN5000 Psi
- Pneumatic and electrical actuator
- Locking device

*For further special requests please consult our technical/commercial service.*



GBS SAE J518 S3000 - C61

TYPE	DN	PN		A	B	C	D	E	F	G	H	I	L	ØM	ØN	ØP	Q	SW	ØLW	WEIGHT	CS	SS		
																					Carbon Steel	Stainless Steel		
																						ITEM CODE		
GBS3	32	MPa	28	mm	89	42,5	190,5	75	14	107,5	85	310	162,5	2,79	50,8	91,5	44,45	3,94	17	32	kg	5,429	GB2SSC3L021A000	GB2SSC3L044A000
		Psi	4060	inch	3,50	1,67	7,50	2,95	0,55	4,23	3,35	12,20	6,40	0,11	2,00	3,60	1,75	0,16	0,67	1,26	lb	11,97		
GBS3	40	MPa	21	mm	106	52,5	230,5	85	14	124,5	105	310	180	2,79	60,26	112	53,72	3,94	17	40	kg	8,265	GB2SSC4L021A000	GB2SSC4L044A000
		Psi	3045	inch	4,17	2,07	9,07	3,35	0,55	4,90	4,13	12,20	7,09	0,11	2,37	4,41	2,11	0,16	0,67	1,57	lb	18,22		
GBS3	50	MPa	21	mm	115,5	58,5	232	98	14	134	117	310	190	2,79	71,4	126	63,25	3,94	17	50	kg	9,865	GB2SSC5L021A000	GB2SSC5L044A000
		Psi	3045	inch	4,55	2,30	9,13	3,86	0,55	5,28	4,61	12,20	7,48	0,11	2,81	4,96	2,49	0,16	0,67	1,97	lb	21,75		

GBS3 SAE J518 S3000 EXTRA LONG - C61

TYPE	DN	PN		A	B	C	D	E	F	G	H	I	L	ØM	ØN	ØP	Q	SW	ØLW	WEIGHT	CS		
																					Carbon Steel		
																					ITEM CODE		
GBS3	32	MPa	28	mm	89	42,5	275	75	14	107,5	85	310	162,5	2,79	50,8	91,5	44,45	3,94	17	30	kg	5,206	GB2SXC3L021A000
		Psi	4060	inch	3,50	1,67	10,83	2,95	0,55	4,23	3,35	12,20	6,40	0,11	2,00	3,60	1,75	0,16	0,67	1,18	lb	11,48	
GBS3	40	MPa	21	mm	106	52,5	321	85	14	124,5	105	310	180	2,79	60,33	112	53,72	3,94	17	38	kg	8,323	GB2SXC4L021A000
		Psi	3045	inch	4,17	2,07	12,64	3,35	0,55	4,90	4,13	12,20	7,09	0,11	2,38	4,41	2,11	0,16	0,67	1,50	lb	18,35	
GBS3	50	MPa	21	mm	115,5	58,5	323	97,85	14	134	117	310	190	2,79	71,4	126	63,25	3,94	17	48	kg	10,097	GB2SXC5L021A000
		Psi	3045	inch	4,55	2,30	12,72	3,85	0,55	5,28	4,61	12,20	7,48	0,11	2,81	4,96	2,49	0,16	0,67	1,89	lb	22,26	



**GBS SAE J518 S6000 - C62**

TYPE	DN	PN																		CS	SS		
																				Carbon Steel	Stainless Steel		
			A	B	C	D	E	F	G	H	I	L	ØM	ØN	ØP	Q	SW	ØLW	WEIGHT	ITEM CODE			
GBS6	32	MPa 42	mm	89	42,5	223	75	14	107,5	85	310	162,5	2,79	54	91,5	44,45	3,94	17	32	kg	5,828	GB2SSC93021A000	GB2SSC93044A000
		Psi 6090	inch	3,50	1,67	8,78	2,95	0,55	4,23	3,35	12,20	6,40	0,11	2,13	3,60	1,75	0,16	0,67	1,26	lb	12,85		
GBS6	40	MPa 42	mm	106	52,5	281	85	14	124,5	105	310	180	2,79	63,46	112	53,67	3,94	17	40	kg	8,251	GB2SSCA3021A000	GB2SSCA3044A000
		Psi 6090	inch	4,17	2,07	11,06	3,35	0,55	4,90	4,13	12,20	7,09	0,11	2,50	4,41	2,11	0,16	0,67	1,57	lb	18,19		
GBS6	50	MPa 42	mm	115,5	58,5	316	98	14	134	117	310	190	2,79	79,4	126	63,25	3,94	17	50	kg	11,774	GB2SSCB3021A000	GB2SSCB3044A000
		Psi 6090	inch	4,55	2,30	12,44	3,86	0,55	5,28	4,61	12,20	7,48	0,11	3,13	4,96	2,49	0,16	0,67	1,97	lb	25,96		

**GBS6 SAE J518 S6000 EXTRA LONG - C62**

TYPE	DN	PN																		CS		
																				Carbon Steel		
			A	B	C	D	E	F	G	H	I	L	ØM	ØN	ØP	Q	SW	ØLW	WEIGHT	ITEM CODE		
GBS6	32	MPa 42	mm	89	42,5	322	75	14	107,5	85	310	162,5	2,79	54	91,5	44,45	3,94	17	32	kg	5,828	GB2SXC93021A000
		Psi 6090	inch	3,50	1,67	12,68	2,95	0,55	4,23	3,35	12,20	6,40	0,11	2,13	3,60	1,75	0,16	0,67	1,26	lb	12,85	
GBS6	40	MPa 42	mm	106	52,5	380	85	14	124,5	105	310	180	2,79	63,46	112	53,72	3,94	17	38	kg	8,47	GB2SXCA3021A000
		Psi 6090	inch	4,17	2,07	14,96	3,35	0,55	4,90	4,13	12,20	7,09	0,11	2,50	4,41	2,11	0,16	0,67	1,50	lb	18,67	
GBS6	50	MPa 42	mm	115,5	58,5	385	97,85	14	134	117	310	190	2,79	79,4	126	63,25	3,94	17	48	kg	12,058	GB2SXC93021A000
		Psi 6090	inch	4,55	2,30	15,16	3,85	0,55	5,28	4,61	12,20	7,48	0,11	3,13	4,96	2,49	0,16	0,67	1,89	lb	26,58	



# GBF-S

## 2-WAY HIGH PRESSURE BALL VALVES

Edition. 21.2

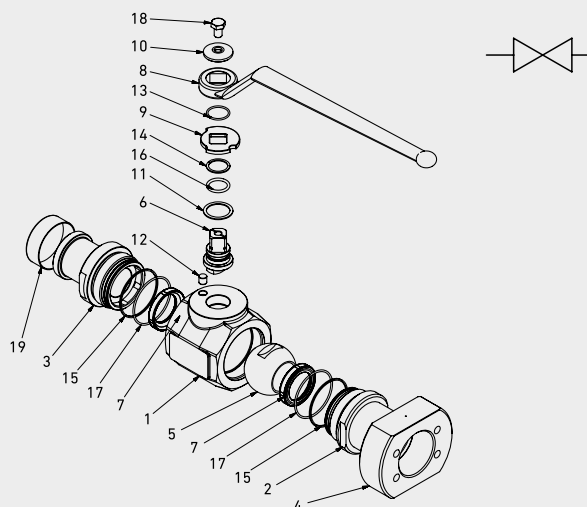
### CS Carbon Steel

- Type: forged ball valve 2 way
- Sizes: from DN32 up to DN50
- Ends: ISO6162-1/-2, SAEJ518-1/-2
- Pressure: up to PN420 / S6000
- Temp range: from -30°C to +100°C (body -46°C)
- Treatment: Galvanized

### SS Stainless Steel

- Type: forged ball valve 2 way
- Sizes: from DN32 up to DN50
- Ends: ISO6162-1/-2, SAEJ518-1/-2
- Pressure: up to PN420 / S6000
- Temp range: from -30°C to +100°C (body -46°C)

### STANDARD COMPOSITION OF VALVE



POS	DESCRIPTION	Q.TY	CS	SS
			Carbon Steel	Stainless Steel
			MATERIAL	
1	Body	1	1,0570	1,4404
2	Adapter	1	1,0570	1,4404
3	Plug	1	1,0570	1,4404
4	Flange	1	1,0570	1,4404
5	Ball	1	1,0737	1,4440
6	Stem	1	1,0737	1,4404
7	Ball seat	2	POM	POM
8	Handle	1	1,0116	1,0116
9	Washer	1	1,0116	1,4404
10	Washer	1	1,0737	1,4404
11	Stem ring	1	POM	POM
12	Pin	1	1,0737	1,4404
13	Seeger	1	1,4404	1,4404
14	Stem back up	1	PTFE	PTFE
15	Adapter back up	2	PTFE	PTFE
16	Stem o ring	1	NBR	NBR
17	Adapter o ring	2	NBR	NBR
18	Screw	1	ISO4017 8.8	ISO4017 8.8
19	Cap	1	PVC	PVC



**CODE DESCRIPTION STRUCTURE**

<b>GB</b>	<b>F3-S3</b>	<b>DN32</b>	<b>2</b>	<b>2</b>	<b>1</b>	<b>1</b>	<b>A</b>	<b>B</b>
-----------	--------------	-------------	----------	----------	----------	----------	----------	----------

**Type and way of valve**

GB 2-way

**Ends**

Valves dimension of pressure (PSI) F3/S3  
Valves dimension of pressure (PSI) F6/S6

S3000 S6000

**Size**

from DN32 to DN50

**Body Material**

- 2 = 1,0570
- 4 = 1,4404

**Adapter material**

- 2 = 1,0570
- 4 = 1,4404

**Stem material**

- 1 = 1,0737 4 = 1,4404\*
- 4 = 1,4404

**Ball Material**

- 1 = 1,0737 4 = 1,4404\*
- 4 = 1,4404

**Seat material**

A = POM D = PEEK\* G = PA612\* K = GEMPTFE\* C = PTFE\*

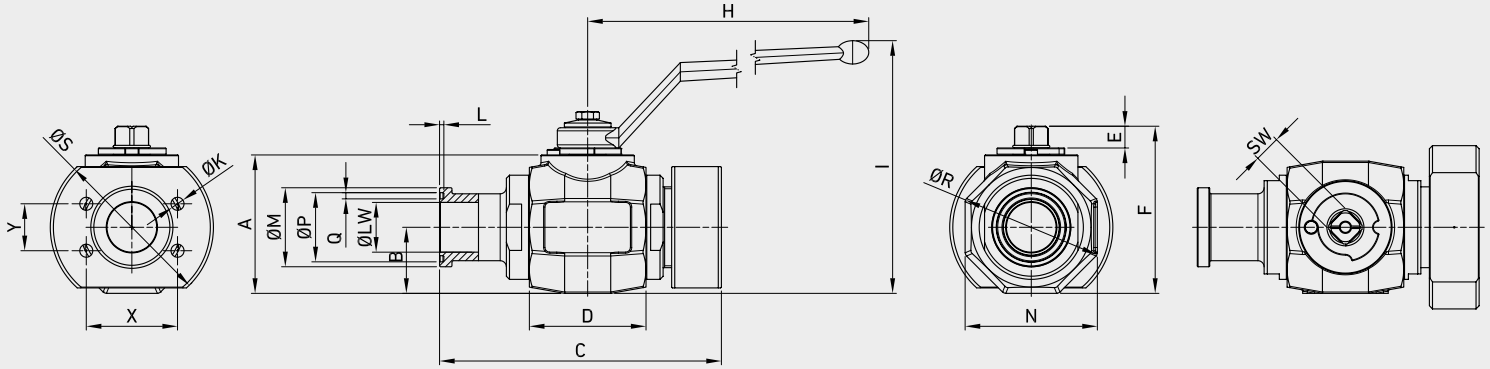
**Seal material**

B = NBR E = FKM\* F = EPDM\* L = MVQ\*

**\*On request**

- Reduced bore
- Special threads
- Pressure class up to PN5000 Psi
- Pneumatic and electrical actuator
- Locking device

*For further special requests please consult our technical/commercial service.*



GBFS3

TYPE	DN	PN																			CS		SS		
			A	B	C	D	E	F	H	I	L	ØK	ØM	N	ØP	Q	ØR	ØS	X	Y	SW	ØLW	WEIGHT	Carbon Steel	Stainless Steel
GBFS3	32	MPa 28	mm 89	42,5	181,2	75	14	107,5	310	162,5	2,79	M10	50,8	85	44,45	3,94	91,5	105	58,7	30,2	17	32	kg 5,955	GB2SFC3L021A000	GB2SFC3L044A000
		Psi 4060	inch 3,50	1,67	7,14	2,95	0,55	4,23	12,20	6,40	0,11		2,00	3,35	1,75	0,16	3,60	4,13	2,31	1,19	0,67	1,26	lb 13,13		
GBFS3	40	MPa 21	mm 106	52,5	203,5	85	14	124,5	310	180	2,79	M12	60,33	105	53,72	3,94	112,8	120	69,8	35,7	17	38	kg 9,118	GB2SFC4L021A000	GB2SFC4L044A000
		Psi 3045	inch 4,17	2,07	8,01	3,35	0,55	4,90	12,20	7,09	0,11		2,38	4,13	2,11	0,16	4,44	4,72	2,75	1,41	0,67	1,50	lb 20,10		
GBFS3	50	MPa 21	mm 115,5	58,5	214	97,85	14	134	310	190	2,79	M12	71,42	117	63,25	3,94	125,8	145	77,8	42,9	17	48	kg 12,032	GB2SFC5L021A000	GB2SFC5L044A000
		Psi 3045	inch 4,55	2,30	8,43	3,85	0,55	5,28	12,20	7,48	0,11		2,81	4,61	2,49	0,16	4,95	5,71	3,06	1,69	0,67	1,89	lb 26,53		

GBFS3 U

TYPE	DN	PN																			CS		SS		
			A	B	C	D	E	F	H	I	L	ØK	ØM	N	ØP	Q	ØR	ØS	X	Y	SW	ØLW	WEIGHT	Carbon Steel	Stainless Steel
GBFS3	32	MPa 28	mm 89	42,5	181,2	75	14	107,5	310	162,5	2,79	7/16-14	50,8	85	44,45	3,94	91,5	105	58,7	30,2	17	32	kg 5,955	GB2S0C3L021A000	GB2S0C3L044A000
		Psi 4060	inch 3,50	1,67	7,14	2,95	0,55	4,23	12,20	6,40	0,11	UNC	2,00	3,35	1,75	0,16	3,60	4,13	2,31	1,19	0,67	1,26	lb 13,13		
GBFS3	40	MPa 21	mm 106	52,5	203,5	85	14	124,5	310	180	2,79	1/2-13	60,33	105	53,72	3,94	112,8	120	69,8	35,7	17	38	kg 9,118	GB2S0C4L021A000	GB2S0C4L044A000
		Psi 3045	inch 4,17	2,07	8,01	3,35	0,55	4,90	12,20	7,09	0,11	UNC	2,38	4,13	2,11	0,16	4,44	4,72	2,75	1,41	0,67	1,50	lb 20,10		
GBFS3	50	MPa 21	mm 115,5	58,5	214	97,85	14	134	310	190	2,79	1/2-13	71,42	117	63,25	3,94	125,8	145	77,8	42,9	17	48	kg 12,03	GB2S0C5L021A000	GB2S0C5L044A000
		Psi 3045	inch 4,55	2,30	8,43	3,85	0,55	5,28	12,20	7,48	0,11	UNC	2,81	4,61	2,49	0,16	4,95	5,71	3,06	1,69	0,67	1,89	lb 26,53		

**GBFS6**

																				CS Carbon Steel	SS Stainless Steel				
																				ITEM CODE					
TYPE	DN	PN	A	B	C	D	E	F	H	I	L	ØK	ØM	N	ØP	Q	ØR	ØS	X	Y	SW	ØLW	WEIGHT		
GBFS6	32	MPa 42	mm 89	42,5	197,5	75	14	107,5	310	162,5	2,79	M12	54	85	44,45	3,94	91,5	105	66,7	31,8	17	32	kg 6,145	GB2SFC93021A000	GB2SFC93044A000
		Psi 6090	inch 3,50	1,67	7,78	2,95	0,55	4,23	12,20	6,40	0,11		2,13	3,35	1,75	0,16	3,60	4,13	2,63	1,25	0,67	1,26	lb 13,55		
GBFS6	40	MPa 42	mm 106	52,5	228,5	85	14	124,5	310	180	2,79	M16	63,5	105	53,72	3,94	112,8	120	79,4	36,5	17	38	kg 9,085	GB2SFCA3021A000	GB2SFCA3044A000
		Psi 6090	inch 4,17	2,07	9,00	3,35	0,55	4,90	12,20	7,09	0,11		2,50	4,13	2,11	0,16	4,44	4,72	3,13	1,44	0,67	1,50	lb 20,03		
GBFS6	50	MPa 42	mm 115,5	58,5	256	97,85	14	134	310	190	2,79	M20	79,4	117	63,25	3,94	125,8	145	96,8	44,5	17	48	kg 12,858	GB2SFCB3021A000	GB2SFCB3044A000
		Psi 6090	inch 4,55	2,30	10,08	3,85	0,55	5,28	12,20	7,48	0,11		3,13	4,61	2,49	0,16	4,95	5,71	3,81	1,75	0,67	1,89	lb 28,35		

**GBFS6 U**

																				CS Carbon Steel	SS Stainless Steel				
																				ITEM CODE					
TYPE	DN	PN	A	B	C	D	E	F	H	I	L	ØK	ØM	N	ØP	Q	ØR	ØS	X	Y	SW	ØLW	WEIGHT		
GBFS6	32	MPa 42	mm 89	42,5	197,5	75	14	107,5	310	162,5	2,79	1/2-13	54	85	44,45	3,94	91,5	105	66,7	31,8	17	32	kg 6,145	GB2S0C93021A000	GB2S0C93044A000
		Psi 6090	inch 3,50	1,67	7,78	2,95	0,55	4,23	12,20	6,40	0,11	UNC	2,13	3,35	1,75	0,16	3,60	4,13	2,63	1,25	0,67	1,26	lb 13,55		
GBFS6	40	MPa 42	mm 106	52,5	228,5	85	14	124,5	310	180	2,79	5/8-11	63,5	105	53,72	3,94	112,8	120	79,4	36,5	17	38	kg 9,085	GB2S0CA3021A000	GB2S0CA3044A000
		Psi 6090	inch 4,17	2,07	9,00	3,35	0,55	4,90	12,20	7,09	0,11	UNC	2,50	4,13	2,11	0,16	4,44	4,72	3,13	1,44	0,67	1,50	lb 20,03		
GBFS6	50	MPa 42	mm 115,5	58,5	256	97,85	14	134	310	190	2,79	3/4-10	79,4	117	63,25	3,94	125,8	145	96,8	44,5	17	48	kg 12,885	GB2S0CB3021A000	GB2S0CB3044A000
		Psi 6090	inch 4,55	2,30	10,08	3,85	0,55	5,28	12,20	7,48	0,11	UNC	3,13	4,61	2,49	0,16	4,95	5,71	3,81	1,75	0,67	1,89	lb 28,41		



# GVS

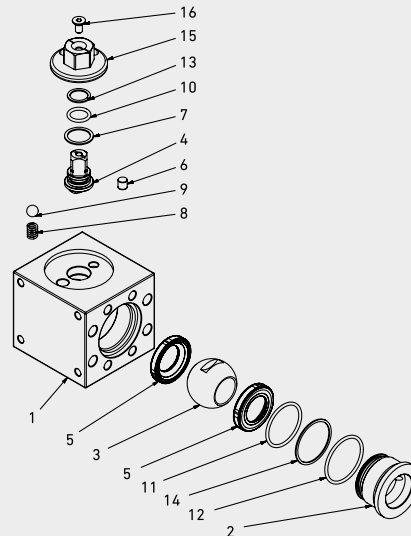
## 2-WAY HIGH PRESSURE BALL VALVES

Edition. 21.2

### CS Carbon Steel

- Type: ball valve 2 way
- Sizes: from DN13 up to DN32
- Ends: ISO6162-1/-2 (SAE J518)
- O-Rings: NBR, FKM, EPDM, MVQ
- Pressure: up to PN420 / S3000-S6000
- Temp range: -20°C to +100°C
- Treatment: Galvanized

### STANDARD COMPOSITION OF VALVE



POS	DESCRIPTION	Q.TY	CS Carbon Steel MATERIAL
1	Body	1	1,0737
2	Closure	1	1,0737
3	Ball	1	1,0737
4	Stem	1	1,0737
5	Ball seat	2	POM
6	Pin	1	1,0737
7	Stem ring	1	POM
8	Spring UNI17223-1	1	1,0116
9	Spring ball	1	1,0116
10	Stem o-ring	1	FKM
11	Adapter o-ring	1	FKM
12	Washer	1	1,0737
13	Screw	1	DIN 7991 8.8



**CODE DESCRIPTION STRUCTURE**

<b>GVS</b>	<b>G1/2</b>	<b>DN13</b>	<b>1</b>	<b>1</b>	<b>1</b>	<b>1</b>	<b>A</b>	<b>B</b>
------------	-------------	-------------	----------	----------	----------	----------	----------	----------

Type and way of valve \_\_\_\_\_

GVS

Ends \_\_\_\_\_

ISO6162-1/-2 (SAE J518)

S3000  
S6000

Size \_\_\_\_\_

DN13  
DN20  
DN25  
DN32  
DN40

Body Material \_\_\_\_\_

● 1 = 1,0737

Adapter material \_\_\_\_\_

● 1 = 1,0737

Stem material \_\_\_\_\_

● 1 = 1,0737

Ball Material \_\_\_\_\_

● 1 = 1,0737

Ball seat material \_\_\_\_\_

A = POM D = PEEK\* K = GEMPTFE\* C = PTFE\*

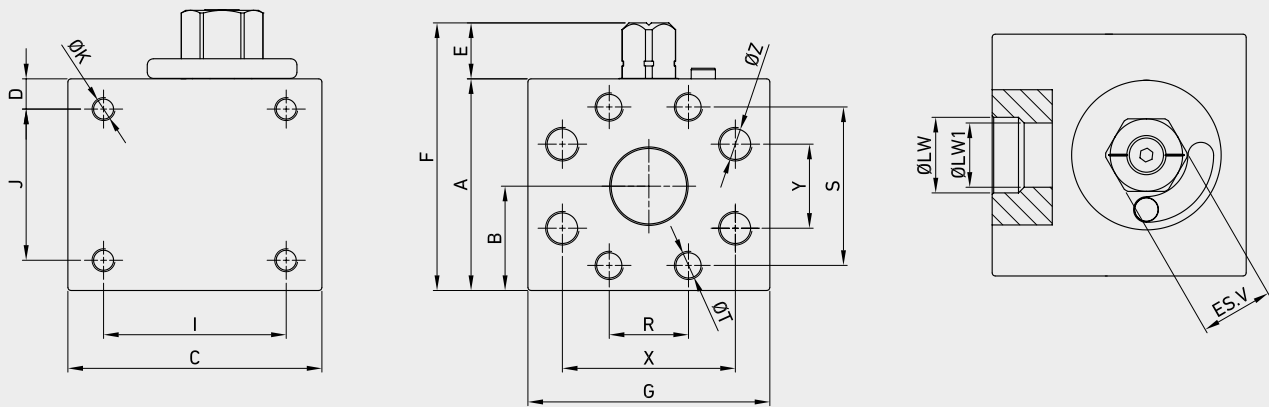
Adapter and stem seal material \_\_\_\_\_

E = FKM B = NBR F = EPDM\* L = MVQ\*

\*On request

- Reduced bore
- Special threads
- Locking device
- Pressure class up to PN6000 Psi

For further special requests please consult our technical/commercial service.



GVS ISO6162-1/-2 (SAE J518)

CS  
Carbon Steel

TYPE	DN	PN	A	B	C	D	E	ES.V	F	G	I	J	ØK	S3000 ISO6162-1			S6000 ISO6162-2			WEIGHT	ITEM CODE		
														R	S	ØT	X	Y	ØZ			ØLW	ØLW1
GVS 1/2	13	MPa 42	mm 50	24,6	75	7,5	14,1	19	60,35	55	56	35	M8	17,5	38,1	M8	40,5	18,2	M8	13	13	kg 1,432	GV2FFT3G011B000
		Psi 6090	inch 1,97	0,97	2,95	0,30	0,56	0,75	2,38	2,17	2,20	1,38	M8	0,69	1,50	M8	1,59	0,72	M8	0,51	0,51	lb 3,16	
GVS 3/4	20	MPa 42	mm 65	33,4	78,7	8,5	18,5	24	83,5	65	65	48	M8	22,2	47,6	M10	50,8	23,8	M10	20	20	kg 2,5	GV2FFT4G011B000
		Psi 6090	inch 2,56	1,31	3,10	0,33	0,73	0,94	3,29	2,56	2,56	1,89	M8	0,87	1,87	M10	2,00	0,94	M10	0,79	0,79	lb 5,51	
GVS 1	25	MPa 42	mm 70	34,5	90,6	9	18,5	24	88,5	74	72,6	52	M10	26,2	52,4	M10	57,2	27,8	M12	25	25	kg 3,151	GV2FFT5G011B000
		Psi 6090	inch 2,76	1,36	3,57	0,35	0,73	0,94	3,48	2,91	2,86	2,05	M10	1,03	2,06	M10	2,25	1,09	M12	0,98	0,98	lb 6,95	
GVS 1 1/4	32	MPa 42	mm 90	43,5	88,4	10	18,5	24	108,5	85	70	70	M10	-	-	-	66,7	31,8	M12	32	25	kg 4,55	GV2FFR6G011B000
		Psi 6090	inch 3,54	1,71	3,48	0,39	0,73	0,94	4,27	3,35	2,76	2,76	M10	-	-	-	2,63	1,25	M12	1,26	0,98	lb 10,03	







# GVS Flanged

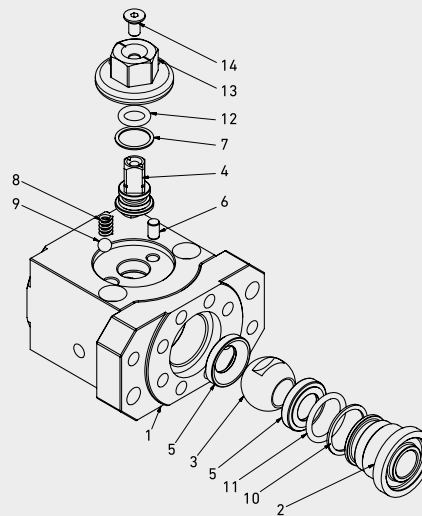
2 WAY HIGH PRESSURE BALL VALVES  
FLANGED PANEL MOUNTING

Edition. 21.0

## CS Carbon Steel

- Type: ball valve 2 way (panel mounting)
- Sizes: from DN13 up to DN32
- Ends: ISO6162-1/-2 (SAE J518)
- O-Rings: NBR, FKM, EPDM, MVQ
- Pressure: up to PN420 / S3000-S6000
- Temp range: -20°C to +100°C
- Treatments: Galvanized

## STANDARD COMPOSITION OF VALVE



POS	DESCRIPTION	Q.TY	CS Carbon Steel MATERIAL
1	Body	1	1,0737
2	Closure	1	1,0737
3	Ball	1	1,0737
4	Stem	1	1,0737
5	Ball seat	2	POM
6	Pin	1	1,0737
7	Stem ring	1	POM
8	Spring UNI17223-1	1	1,0116
9	Spring ball	1	1,0116
10	Stem o-ring	1	FKM
11	Adapter o-ring	1	FKM
12	Washer	1	1,0737
13	Screw	1	DIN 7991 8.8



**CODE DESCRIPTION STRUCTURE**

<b>GVS</b>	<b>G1/2</b>	<b>DN13</b>	<b>1</b>	<b>1</b>	<b>1</b>	<b>1</b>	<b>A</b>	<b>B</b>
------------	-------------	-------------	----------	----------	----------	----------	----------	----------

**Type and way of valve**

GVS flanged panel mounting

**Ends**

ISO6162-1/-2 (SAE J518)  
S3000  
S6000

**Size**

DN13  
DN20  
DN25  
DN32  
DN40

**Body Material**

● 1 = 1,0737

**Adapter material**

● 1 = 1,0737

**Stem material**

● 1 = 1,0737

**Ball Material**

● 1 = 1,0737

**Ball seat material**

A = POM D = PEEK\* K = GEMPTFE\* C = PTFE\*

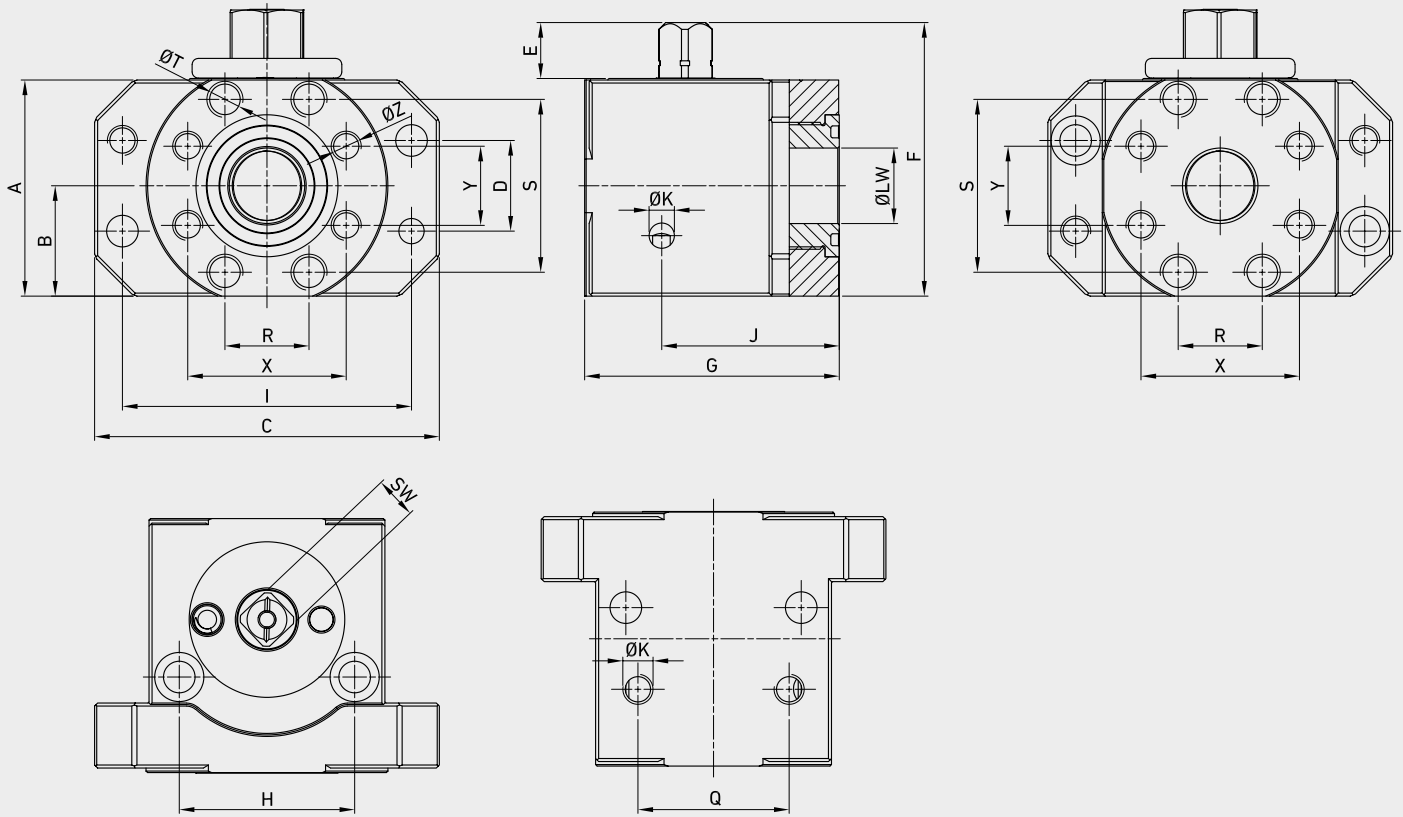
**Adapter and stem seal material**

E = FKM B = NBR F = EPDM\* L = MVQ\*

*\*On request*

- Reduced bore
- Special threads
- Locking device
- Pressure class up to PN6000 Psi

*For further special requests please consult our technical/commercial service.*

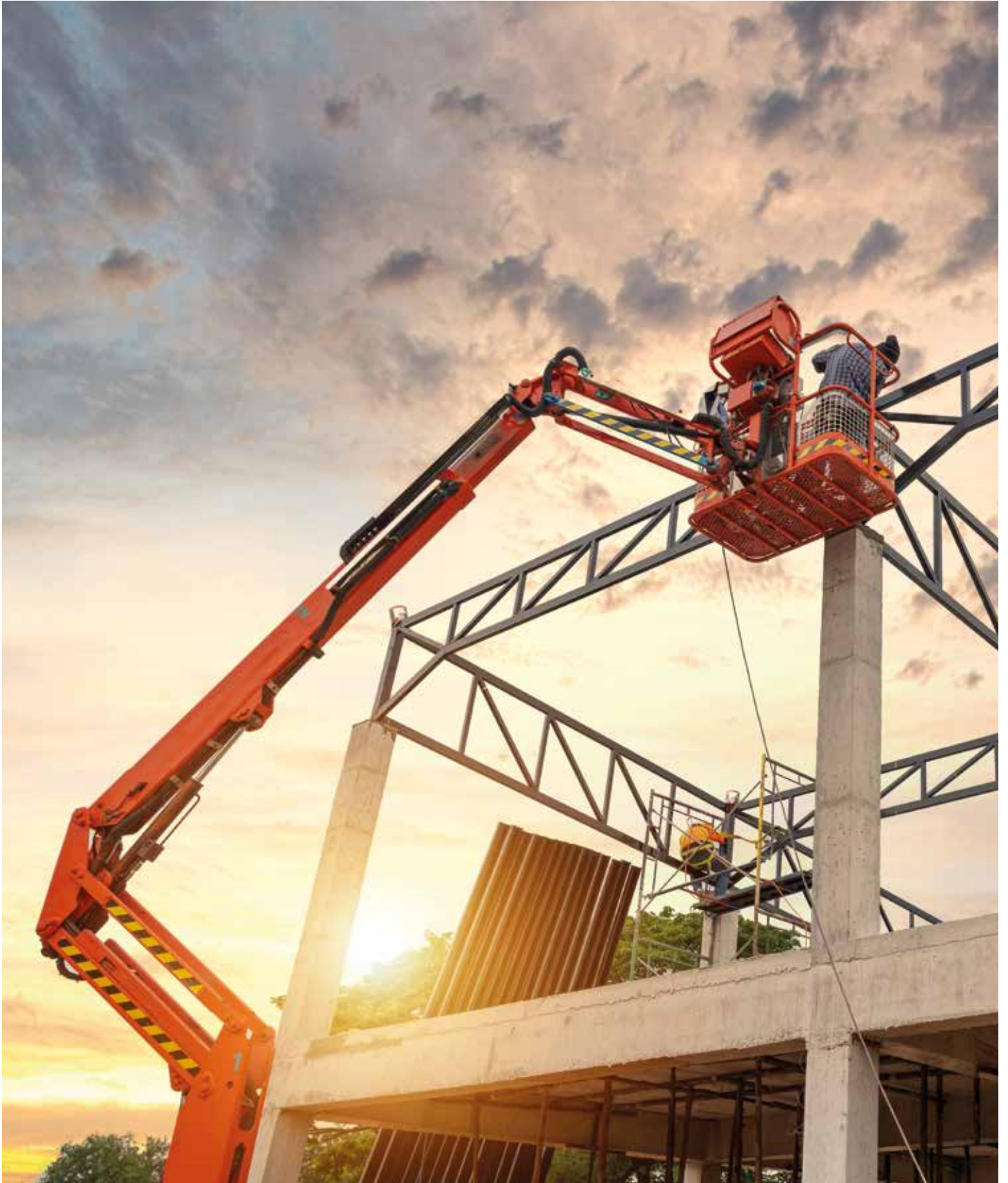


■ GVS ISO6162-1/-2 (SAE J518)

CS  
Carbon Steel

TYPE	DN	PN	A	B	C	D	E	F	ØK	R	S	ØT	X	Y	ØZ	I	Q	G	SW	H	ØLW	J	WEIGHT	ITEM CODE
GVS 1/2 F61/62	13	MPa 42	mm 49,5	24,6	90	20	14	61,2	M8	17,5	38,1	M8	40,5	18,2	M8	74	45	75	9	46	13	42,5	kg 1,6	GV2FFT3G011BA00
		Psi 6090	inch 1,95	0,97	3,54	0,79	0,55	2,41		0,69	1,50		1,59	0,72		2,91	1,77	2,95	0,35	1,81	0,51	1,67	lb 3,53	
GVS 3/4 F61/62	20	MPa 42	mm 63	31,4	109	26	14	80,7	M10	23,8	50,8	M10	47,6	22,2	M10	92	50	80,1	14	58	20	53,5	kg 2,7	GV2FFT4G011BA00
		Psi 6090	inch 2,48	1,24	4,29	1,02	0,55	3,18		0,94	2,00		1,87	0,87		3,62	1,97	3,15	0,55	2,28	0,79	2,11	lb 5,95	
GVS 1 F61/62	25	MPa 42	mm 72	37	114	30	18,5	91	M10	27,8	57,2	M12	52,4	26,2	M10	95,6	50	84	14	58	25	58,5	kg 3,4	GV2FFT5G011BA00
		Psi 6090	inch 2,83	1,46	4,49	1,18	0,73	3,58		1,09	2,25		2,06	1,03		3,76	1,97	3,31	0,55	2,28	0,98	2,30	lb 7,50	
GVS 1 1/4 F62*	32	MPa 42	mm 89	42,5	129	40	18,5		M10	31	66,7	M12	-	-	M16	108	50	90	17	70	32	58,8	kg 5,7	GV2FFT6G011BA00
		Psi 6090	inch 3,50	1,67	5,08	1,57	0,73	0,00		1,22	2,63		-	-		4,25	1,97	3,54	0,67	2,76	1,26	2,31	lb 12,57	

\*GVS 1 1/4 ONLY ISO 6162-2





# GV2

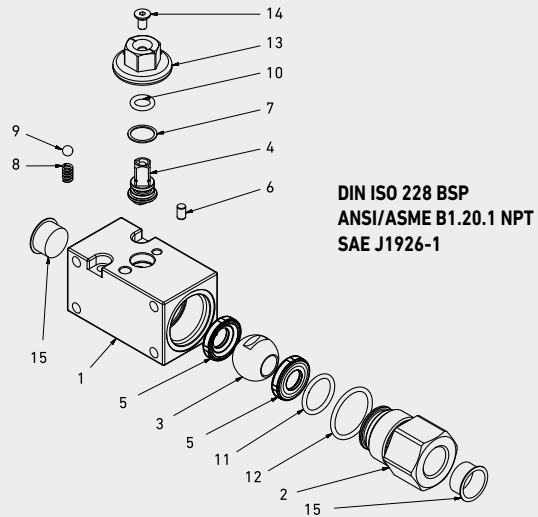
## 2-WAY HIGH PRESSURE BALL VALVES

Edition. 21.4

### CS Carbon Steel

- Type: ball valve 2 way
- Sizes: from DN10 up to DN32
- Ends: BSP-NPT-SAE / ISO6162-1
- Pressure: up to PN500 / S6000
- Temp range: from -20°C to +100°C
- Treatment: Galvanized

### STANDARD COMPOSITION OF VALVE



DIN ISO 228 BSP  
ANSI/ASME B1.20.1 NPT  
SAE J1926-1

REGISTERED DESIGN

POS	DESCRIPTION	Q.TY	CS Carbon Steel MATERIAL
1	Body	1	1,0737
2	Adapter	1	1,0737
3	Ball	1	1,0737
4	Stem	1	1,0737
5	Ball seat	2	PA612G
6	Pin	1	1,0737
7	Stem ring	1	POM
8	Spring UNI17223-1	1	1,0116
9	Spring ball	1	1,0116
10	Stem o-ring	1	FKM
11	Adapter o-ring	1	FKM
12	Adapter o-ring	1	FKM
13	Washer	1	1,0737
14	Screw	1	DIN 7991 8.8
15	Caps	2	PVC



**CODE DESCRIPTION STRUCTURE**

<b>GV2</b>	<b>G 1/2</b>	<b>DN13</b>	<b>1</b>	<b>1</b>	<b>1</b>	<b>1</b>	<b>A</b>	<b>B</b>
------------	--------------	-------------	----------	----------	----------	----------	----------	----------

**Type and way of valve**

GV2 2-way

**Ends**

GAS DIN/ ISO 228 BSP	NPT ANSI /ASME B1.20.1	SAE J1926-1	ISO6162
G 3/8	N 3/8	SAE6	S6000
G 1/2	N 1/2	SAE8	
G 3/4	N 3/4	SAE12	
G 1	N 1	SAE16	
G 1 1/4 R	N 1 1/4 R	SAE20R	
G 1 1/4	N 1 1/4	SAE20	

**Size**

from DN10 to DN32

**Body Material**

● 1 = 1,0737

**Adapter material**

● 1 = 1,0737

**Stem material**

● 1 = 1,0737

**Ball Material**

● 1 = 1,0737

**Seat material**

A = POM D = PEEK\* G = PA612\* K = GEMPTFEL\* C = PTFE\*

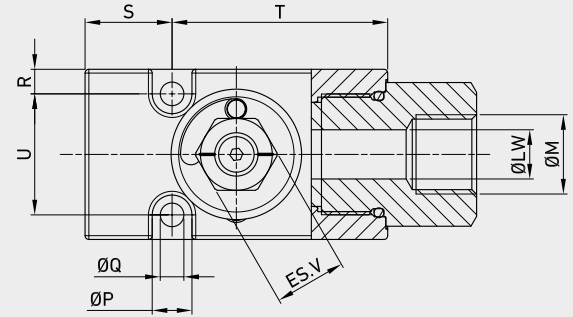
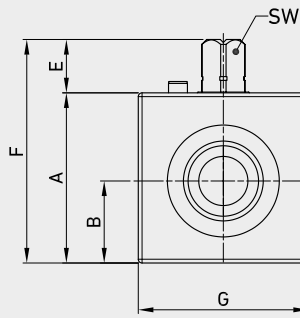
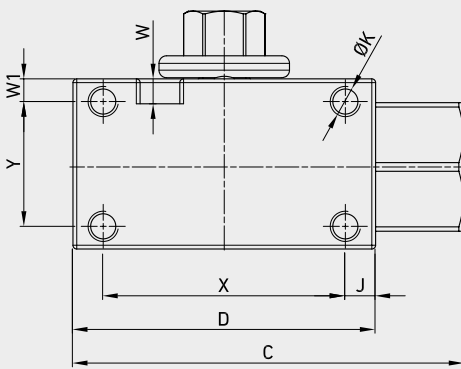
**Seal material**

B = NBR E = FKM\* F = EPDM\* L = MVQ\*

**\*On request**

- Reduced bore
- Special threads
- Pressure class up to PN50 Mpa
- Pressure class up to PN6000 Psi
- Locking device

For further special requests please consult our technical/commercial service.



GV2 DIN/ISO 228 BSP

																							CS Carbon Steel						
TYPE	DN	PN	A	B	C	D	E	ES.V	F	G	I	J	ØK	ØM	ØP	ØQ	R	S	T	U	W	W1	X	Y	SW	ØLW	WEIGHT	ITEM CODE	
GV2 G 3/8	10	MPa 50	mm 43	20,4	88,5	70	14,1	19	57,1	37	60,9	7	M6	G 3/8	10,5	6,25	6,5	16	54	24	6,6	3,5	56	33	9	10	kg	0,919	GV2GGT25011B000
		Psi 7250	inch 1,69	0,80	3,48	2,76	0,56	0,75	2,25	1,46	2,40	0,28			0,41	0,25	0,26	0,63	2,13	0,94	0,26	0,14	2,20	1,30	0,35	0,39	lb	2,03	
GV2 G 1/2	13	MPa 50	mm 45	21,7	103,5	80	14,1	19	59,1	45	62,9	8	M8	G 1/2	10,5	6,25	6,5	23	57	32	6,6	6	64	33	9	13	kg	1,307	GV2GGT35011B000
		Psi 7250	inch 1,77	0,85	4,07	3,15	0,56	0,75	2,33	1,77	2,48	0,31			0,41	0,25	0,26	0,91	2,24	1,26	0,26	0,24	2,52	1,30	0,35	0,51	lb	2,88	
GV2 G 3/4	20	MPa 50	mm 55	23,4	129,5	101	18,5	24	73,5	55	78	10,5	M8	G 3/4	13,5	9	7,5	25,5	75,5	40	8	6	80	43	14	20	kg	2,424	GV2GGT45011B000
		Psi 7250	inch 2,17	0,92	5,10	3,98	0,73	0,94	2,89	2,17	3,07	0,41			0,53	0,35	0,30	1,00	2,97	1,57	0,31	0,24	3,15	1,69	0,55	0,79	lb	5,34	
GV2 G 1	25	MPa 50	mm 65	29,5	133,5	105	18,5	24	83,5	65	88	7,5	M8	G 1	13,5	9	8,5	27,5	77,5	48	8	6	90	53	14	25	kg	3,446	GV2GGT55011B000
		Psi 7250	inch 2,56	1,16	5,26	4,13	0,73	0,94	3,29	2,56	3,46	0,30			0,53	0,35	0,33	1,08	3,05	1,89	0,31	0,24	3,54	2,09	0,55	0,98	lb	7,60	
GV2 G 1 1/4 R	25	MPa 50	mm 65	29,5	133,5	105	18,5	24	83,5	65	88	7,5	M8	G 1 1/4 R	13,5	9	8,5	27,5	77,5	48	8	6	90	53	14	25	kg	3,265	GV2GGR65011B000
		Psi 7250	inch 2,56	1,16	5,26	4,13	0,73	0,94	3,29	2,56	3,46	0,30			0,53	0,35	0,33	1,08	3,05	1,89	0,31	0,24	3,54	2,09	0,55	0,98	lb	7,20	
GV2 G 1 1/4	32	MPa 50	mm 80	33,5	133,5	105	18,5	30	98,5	80	104	9,5	M8	G 1 1/4	13,5	9	10	24,5	80,5	60	8	8	86	64	17	32	kg	4,991	GV2GGT65011B000
		Psi 7250	inch 3,15	1,32	5,26	4,13	0,73	1,18	3,88	3,15	4,09	0,37			0,53	0,35	0,39	0,96	3,17	2,36	0,31	0,31	3,39	2,52	0,67	1,26	lb	11,00	

GV2 ANSI/ASME B1.20.1 NPT

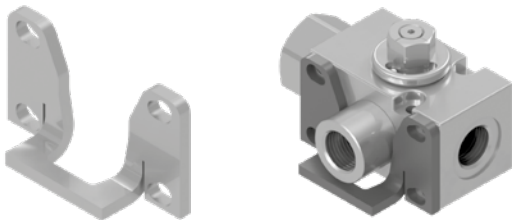
																							CS Carbon Steel						
TYPE	DN	PN	A	B	C	D	E	ES.V	F	G	I	J	ØK	ØM	ØP	ØQ	R	S	T	U	W	W1	X	Y	SW	ØLW	WEIGHT	ITEM CODE	
GV2 N 3/8	10	MPa 50	mm 43	20,4	88,5	70	14,1	19	57,1	37	60,9	7	M6	N 3/8	10,5	6,25	6,5	16	54	24	6,6	3,5	56	33	9	10	kg	0,919	GV2NNT25011B000
		Psi 7250	inch 1,69	0,80	3,48	2,76	0,56	0,75	2,25	1,46	2,40	0,28			0,41	0,25	0,26	0,63	2,13	0,94	0,26	0,14	2,20	1,30	0,35	0,39	lb	2,03	
GV2 N 1/2	13	MPa 50	mm 45	21,7	103,5	80	14,1	19	59,1	45	62,9	8	M8	N 1/2	10,5	6,25	6,5	23	57	32	6,6	6	64	33	9	13	kg	1,307	GV2NNT35011B000
		Psi 7250	inch 1,77	0,85	4,07	3,15	0,56	0,75	2,33	1,77	2,48	0,31			0,41	0,25	0,26	0,91	2,24	1,26	0,26	0,24	2,52	1,30	0,35	0,51	lb	2,88	
GV2 N 3/4	20	MPa 50	mm 55	23,4	129,5	101	18,5	24	73,5	55	78	10,5	M8	N 3/4	13,5	9	7,5	25,5	75,5	40	8	6	80	43	14	20	kg	2,424	GV2NNT45011B000
		Psi 7250	inch 2,17	0,92	5,10	3,98	0,73	0,94	2,89	2,17	3,07	0,41			0,53	0,35	0,30	1,00	2,97	1,57	0,31	0,24	3,15	1,69	0,55	0,79	lb	5,34	
GV2 N 1	25	MPa 50	mm 65	29,5	133,5	105	18,5	24	83,5	65	88	7,5	M8	N 1	13,5	9	8,5	27,5	77,5	48	8	6	90	53	14	25	kg	3,446	GV2NNT55011B000
		Psi 7250	inch 2,56	1,16	5,26	4,13	0,73	0,94	3,29	2,56	3,46	0,30			0,53	0,35	0,33	1,08	3,05	1,89	0,31	0,24	3,54	2,09	0,55	0,98	lb	7,60	
GV2 N 1 1/4 R	25	MPa 50	mm 65	29,5	133,5	105	18,5	24	83,5	65	88	7,5	M8	N 1 1/4 R	13,5	9	8,5	27,5	77,5	48	8	6	90	53	14	25	kg	3,265	GV2NNR65011B000
		Psi 7250	inch 2,56	1,16	5,26	4,13	0,73	0,94	3,29	2,56	3,46	0,30			0,53	0,35	0,33	1,08	3,05	1,89	0,31	0,24	3,54	2,09	0,55	0,98	lb	7,20	
GV2 N 1 1/4	32	MPa 50	mm 80	33,5	133,5	105	18,5	30	98,5	80	104	9,5	M8	N 1 1/4	13,5	9	10	24,5	80,5	60	8	8	86	64	17	32	kg	4,991	GV2NNT65011B000
		Psi 7250	inch 3,15	1,32	5,26	4,13	0,73	1,18	3,88	3,15	4,09	0,37			0,53	0,35	0,39	0,96	3,17	2,36	0,31	0,31	3,39	2,52	0,67	1,26	lb	11,00	



GV2 SAE J1926-1

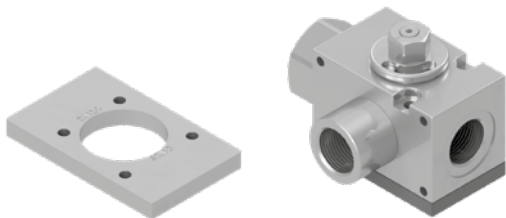
																						CS Carbon Steel						
TYPE	DN	PN	A	B	C	D	E	ES.V	F	G	I	J	ØK	ØM	ØP	ØQ	R	S	T	U	W	W1	X	Y	SW	ØLW	WEIGHT	ITEM CODE
GV2 SAE6	10	MPa 50	mm 43	20,4	88,5	70	14,1	19	57,1	37	60,9	7	M6	SAE6	10,5	6,25	6,5	16	54	24	6,6	3,5	56	33	9	10	kg 0,919	GV2EEE15011B000
		Psi 7250	inch 1,69	0,80	3,48	2,76	0,56	0,75	2,25	1,46	2,40	0,28			0,41	0,25	0,26	0,63	2,13	0,94	0,26	0,14	2,20	1,30	0,35	0,39	lb 2,03	
GV2 SAE8	13	MPa 50	mm 45	21,7	103,5	80	14,1	19	59,1	45	62,9	8	M8	SAE8	10,5	6,25	6,5	23	57	32	6,6	6	64	33	9	13	kg 1,307	GV2EEE25011B000
		Psi 7250	inch 1,77	0,85	4,07	3,15	0,56	0,75	2,33	1,77	2,48	0,31			0,41	0,25	0,26	0,91	2,24	1,26	0,26	0,24	2,52	1,30	0,35	0,51	lb 2,88	
GV2 SAE12	20	MPa 50	mm 55	23,4	129,5	101	18,5	24	73,5	55	78	10,5	M8	SAE	13,5	9	7,5	25,5	75,5	40	8	6	80	43	14	20	kg 2,424	GV2EEE35011B000
		Psi 7250	inch 2,17	0,92	5,10	3,98	0,73	0,94	2,89	2,17	3,07	0,41			12	0,53	0,35	0,30	1,00	2,97	1,57	0,31	0,24	3,15	1,69	0,55	0,79	
GV2 SAE16	25	MPa 50	mm 65	29,5	133,5	105	18,5	24	83,5	65	88	7,5	M8	SAE	13,5	9	8,5	27,5	77,5	48	8	6	90	53	14	25	kg 3,446	GV2EEE45011B000
		Psi 7250	inch 2,56	1,16	5,26	4,13	0,73	0,94	3,29	2,56	3,46	0,30			16	0,53	0,35	0,33	1,08	3,05	1,89	0,31	0,24	3,54	2,09	0,55	0,98	
GV2 SAE20R	25	MPa 50	mm 65	29,5	133,5	105	18,5	24	83,5	65	88	7,5	M8	SAE	13,5	9	8,5	27,5	77,5	48	8	6	90	53	14	25	kg 3,265	GV2EEE85011B000
		Psi 7250	inch 2,56	1,16	5,26	4,13	0,73	0,94	3,29	2,56	3,46	0,30			20R	0,53	0,35	0,33	1,08	3,05	1,89	0,31	0,24	3,54	2,09	0,55	0,98	
GV2 SAE20	32	MPa 50	mm 80	33,5	133,5	105	18,5	30	98,5	80	104	9,5	M8	SAE	13,5	9	10	24,5	80,5	60	8	8	86	64	17	32	kg 4,991	GV2EEE55011B000
		Psi 7250	inch 3,15	1,32	5,26	4,13	0,73	1,18	3,88	3,15	4,09	0,37			20	0,53	0,35	0,39	0,96	3,17	2,36	0,31	0,31	3,39	2,52	0,67	1,26	

WELD MOUNTING PLATES



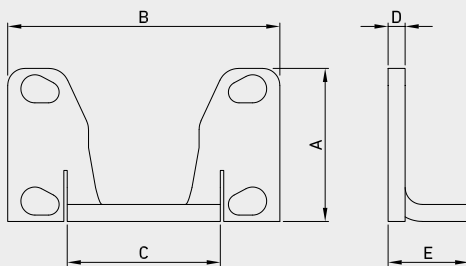
Lateral plate

TYPE	DN	A	B	C	D	E	Material	Treatment	WEIGHT	CODE
GV LATERAL PLATE	10-13	mm 45	80	45	5	23,7	Carbon Steel	Phosphated	kg 0,088	C0635101Z
		inch 1,77	3,15	1,77	0,20	0,93			lb 0,19	
	20-25	mm 65	105	63	5	23,7	Carbon Steel	Phosphated	kg 0,158	C0635301Z
		inch 2,56	4,13	2,48	0,20	0,93			lb 0,35	

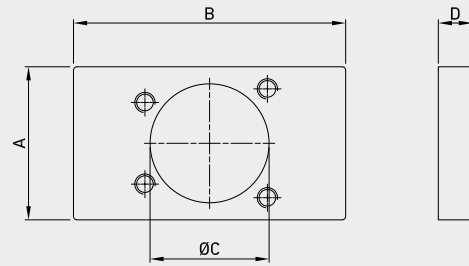


Low plate

TYPE	DN	A	B	CØ	D	Material	Treatment	WEIGHT	CODE
GV LOW PLATE	10-13	mm 45	80	35	10	Carbon Steel	Phosphated	kg 0,201	C0634901Z
		inch 1,77	3,15	1,38	0,39			lb 0,44	
	20-25	mm 65	105	45	10	Carbon Steel	Phosphated	kg 0,398	C0635001Z
		inch 2,56	4,13	1,77	0,39			lb 0,88	



Lateral plate



Low plate



# GV3

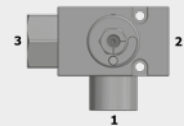
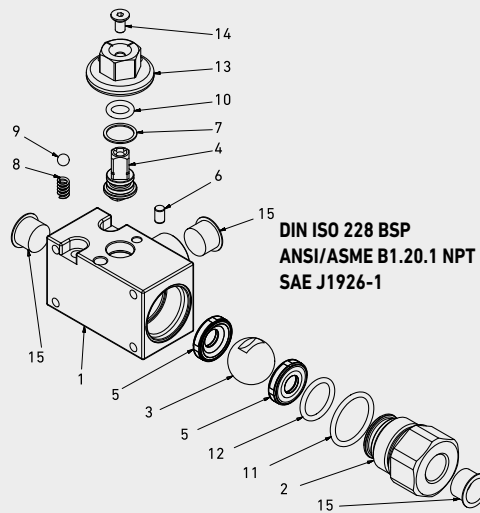
## 3-WAY HIGH PRESSURE BALL VALVES

Edition. 21.4

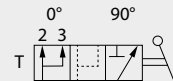
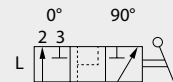
### CS Carbon Steel

- Type: ball valve 3 way
- Sizes: from DN10 up to DN32
- Ends: BSP-NPT-SAE / ISO6162-1
- Pressure: up to PN500 / S6000
- Temp range: from -20°C to +100°C
- Treatment: Galvanized

### STANDARD COMPOSITION OF VALVE



**WARNING!**  
Pressure inlet only  
from center port 1



REGISTERED DESIGN

POS	DESCRIPTION	Q.TY	MATERIAL
1	Body	1	1,0737
2	Adapter	1	1,0737
3	Ball	1	1,0737
4	Stem	1	1,0737
5	Ball seat	2	PA612G
6	Pin	1	1,0737
7	Stem ring	1	POM
8	Spring UNI17223-1	1	1,0116
9	Spring ball	1	1,0116
10	Stem o-ring	1	FKM
11	Adapter o-ring	1	FKM
12	Adapter o-ring	1	FKM
13	Washer	1	1,0737
14	Screw	1	DIN 7991 8.8
15	Caps	2	PVC

CS

Carbon Steel



**CODE DESCRIPTION STRUCTURE**

**GV3 G 1/2 DN13 1 1 1 1 A B**

**Type and way of valve**

GV3 3-way

**Ends**

GAS DIN/ ISO 228 BSP	NPT ANSI /ASME B1.20.1	SAE J1926-1	ISO6162
G 3/8	N 3/8	SAE6	S6000
G 1/2	N 1/2	SAE8	
G 3/4	N 3/4	SAE12	
G 1	N 1	SAE16	
G 1 1/4 R	N 1 1/4 R	SAE20R	
G 1 1/4	N 1 1/4	SAE20	

**Size**

from DN10 to DN32

**Body Material**

● 1 = 1,0737

**Adapter material**

● 1 = 1,0737

**Stem material**

● 1 = 1,0737

**Ball Material**

● 1 = 1,0737

**Seat material**

A = POM D = PEEK\* K = GEMPTFE\* C = PTFE\*

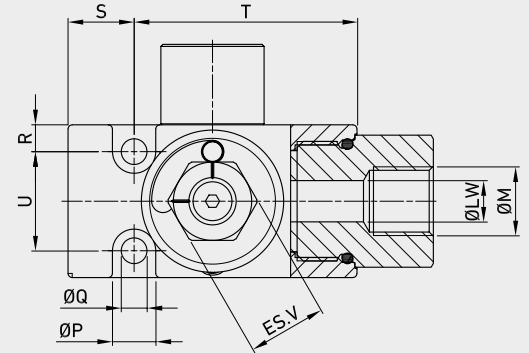
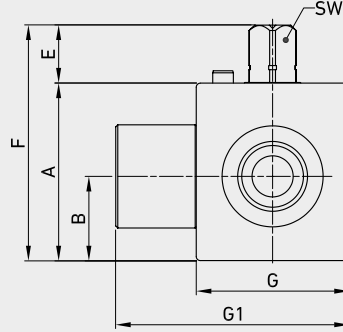
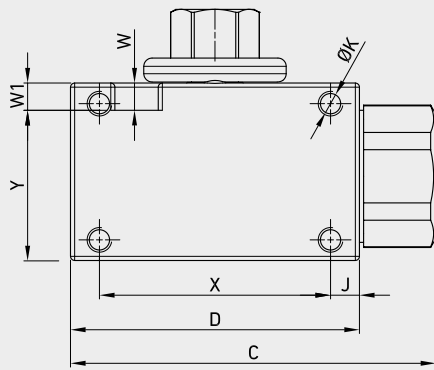
**Seal material**

B = NBR E = FKM\* F = EPDM\* L = MVQ\*

**\*On request**

- Reduced bore
- Special threads
- Pressure class up to PN50 Mpa
- Pressure class up to PN6000 Psi
- Locking device

For further special requests please consult our technical/commercial service.



GV3 DIN/ISO 228 BSP

																								CS Carbon Steel						
TYPE	DN	PN	A	B	C	D	E	ES.V	F	G	G1	I	J	ØK	ØM	ØP	ØQ	R	S	T	U	W	W1	X	Y	SW	ØLW	WEIGHT	ITEM CODE	
GV3 G 3/8	10	MPa 50	mm 43	20,4	88,5	70	14,1	19	57,1	37	61	60,9	7	M6	G 3/8	10,5	6,25	6,5	16	54	24	6,6	3,5	56	33	9	10	kg	1,15	GV3GGT24011B000
		Psi 7250	inch 1,69	0,80	3,48	2,76	0,56	0,75	2,25	1,46	2,40	2,40	0,28			0,41	0,25	0,26	0,63	2,13	0,94	0,26	0,14	2,20	1,30	0,35	0,39	lb	2,54	
GV3 G 1/2	13	MPa 50	mm 45	21,7	103,5	80	14,1	19	59,1	45	66,5	62,9	8	M8	G 1/2	10,5	6,25	6,5	23	57	32	6,6	6	64	33	9	13	kg	1,362	GV3GGT33011B000
		Psi 7250	inch 1,77	0,85	4,07	3,15	0,56	0,75	2,33	1,77	2,62	2,48	0,31			0,41	0,25	0,26	0,91	2,24	1,26	0,26	0,24	2,52	1,30	0,35	0,51	lb	3,00	
GV3 G 3/4	20	MPa 35	mm 55	23,4	129,5	101	18,5	24	73,5	55	85	78	10,5	M8	G 3/4	13,5	9	7,5	25,5	75,5	40	8	6	80	43	14	20	kg	2,51	GV3GGT43011B000
		Psi 5075	inch 2,17	0,92	5,10	3,98	0,73	0,94	2,89	2,17	3,35	3,07	0,41			0,53	0,35	0,30	1,00	2,97	1,57	0,31	0,24	3,15	1,69	0,55	0,79	lb	5,53	
GV3 G 1	25	MPa 35	mm 65	29,5	133,5	105	18,5	24	83,5	65	97,5	88	7,5	M8	G 1	13,5	9	8,5	27,5	77,5	48	8	6	90	53	14	25	kg	3,564	GV3GGT53011B000
		Psi 5075	inch 2,56	1,16	5,26	4,13	0,73	0,94	3,29	2,56	3,84	3,46	0,30			0,53	0,35	0,33	1,08	3,05	1,89	0,31	0,24	3,54	2,09	0,55	0,98	lb	7,86	
GV3 G 1 1/4 R	25	MPa 35	mm 65	29,5	133,5	105	18,5	24	83,5	65	99	88	7,5	M8	G 1	13,5	9	8,5	27,5	77,5	48	8	6	90	53	14	25	kg	3,485	GV3GGR63011B000
		Psi 5075	inch 2,56	1,16	5,26	4,13	0,73	0,94	3,29	2,56	3,90	3,46	0,30			0,53	0,35	0,33	1,08	3,05	1,89	0,31	0,24	3,54	2,09	0,55	0,98	lb	7,68	
GV3 G 1 1/4	32	MPa 35	mm 80	33,5	133,5	105	18,5	30	98,5	80	118	104	9,5	M8	G 1	13,5	9	10	24,5	80,5	60	8	8	86	64	17	32	kg	5,32	GV3GGT63011B000
		Psi 5075	inch 3,15	1,32	5,26	4,13	0,73	1,18	3,88	3,15	4,65	4,09	0,37			0,53	0,35	0,39	0,96	3,17	2,36	0,31	0,31	3,39	2,52	0,67	1,26	lb	11,73	

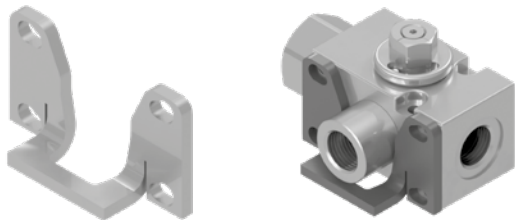
GV3 ANSI/ASME B1.20.1 NPT

																								CS Carbon Steel						
TYPE	DN	PN	A	B	C	D	E	ES.V	F	G	G1	I	J	ØK	ØM	ØP	ØQ	R	S	T	U	W	W1	X	Y	SW	ØLW	WEIGHT	ITEM CODE	
GV3 N 3/8	10	MPa 50	mm 43	20,4	88,5	70	14,1	19	57,1	37	61	60,9	7	M6	N 3/8	10,5	6,25	6,5	16	54	24	6,6	3,5	56	33	9	10	kg	1,15	GV3NNT24011B000
		Psi 7250	inch 1,69	0,80	3,48	2,76	0,56	0,75	2,25	1,46	2,40	2,40	0,28			0,41	0,25	0,26	0,63	2,13	0,94	0,26	0,14	2,20	1,30	0,35	0,39	lb	2,54	
GV3 N 1/2	13	MPa 50	mm 45	21,7	103,5	80	14,1	19	59,1	45	66,5	62,9	8	M8	N 1/2	10,5	6,25	6,5	23	57	32	6,6	6	64	33	9	13	kg	1,362	GV3NNT33011B000
		Psi 7250	inch 1,77	0,85	4,07	3,15	0,56	0,75	2,33	1,77	2,62	2,48	0,31			0,41	0,25	0,26	0,91	2,24	1,26	0,26	0,24	2,52	1,30	0,35	0,51	lb	3,00	
GV3 N 3/4	20	MPa 35	mm 55	23,4	129,5	101	18,5	24	73,5	55	85	78	10,5	M8	N 3/4	13,5	9	7,5	25,5	75,5	40	8	6	80	43	14	20	kg	2,51	GV3NNT43011B000
		Psi 5075	inch 2,17	0,92	5,10	3,98	0,73	0,94	2,89	2,17	3,35	3,07	0,41			0,53	0,35	0,30	1,00	2,97	1,57	0,31	0,24	3,15	1,69	0,55	0,79	lb	5,53	
GV3 N 1	25	MPa 35	mm 65	29,5	133,5	105	18,5	24	83,5	65	97,5	88	7,5	M8	N 1	13,5	9	8,5	27,5	77,5	48	8	6	90	53	14	25	kg	3,564	GV3NNT53011B000
		Psi 5075	inch 2,56	1,16	5,26	4,13	0,73	0,94	3,29	2,56	3,84	3,46	0,30			0,53	0,35	0,33	1,08	3,05	1,89	0,31	0,24	3,54	2,09	0,55	0,98	lb	7,86	
GV3 N 1 1/4 R	25	MPa 35	mm 65	29,5	133,5	105	18,5	24	83,5	65	99	88	7,5	M8	N 1	13,5	9	8,5	27,5	77,5	48	8	6	90	53	14	25	kg	3,485	GV3NNR63011B000
		Psi 5075	inch 2,56	1,16	5,26	4,13	0,73	0,94	3,29	2,56	3,90	3,46	0,30			0,53	0,35	0,33	1,08	3,05	1,89	0,31	0,24	3,54	2,09	0,55	0,98	lb	7,68	
GV3 N 1 1/4	32	MPa 35	mm 80	33,5	133,5	105	18,5	30	98,5	80	118	104	9,5	M8	N 1	13,5	9	10	24,5	80,5	60	8	8	86	64	17	32	kg	5,32	GV3NNT63011B000
		Psi 5075	inch 3,15	1,32	5,26	4,13	0,73	1,18	3,88	3,15	4,65	4,09	0,37			0,53	0,35	0,39	0,96	3,17	2,36	0,31	0,31	3,39	2,52	0,67	1,26	lb	11,73	

GV3 SAE J1926-1

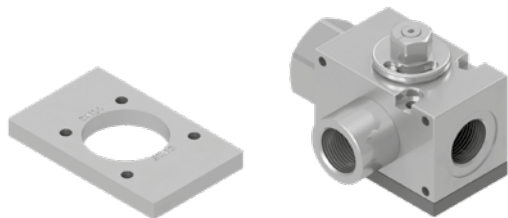
																						CS Carbon Steel								
TYPE	DN	PN	A	B	C	D	E	ES	V	F	G	G1	I	J	ØK	ØM	ØP	ØQ	R	S	T	U	W	W1	X	Y	SW	ØLW	WEIGHT	ITEM CODE
GV3 SAE6	10	MPa 50	mm 43	20,4	88,5	70	14,1	19	57,1	37	61	60,9	7	M6	SAE6	10,5	6,25	6,5	16	54	24	6,6	3,5	56	33	9	10	kg 1,15	GV3EEE14011B000	
		Psi 7250	inch 1,69	0,80	3,48	2,76	0,56	0,75	2,25	1,46	2,40	2,40	0,28			0,41	0,25	0,26	0,63	2,13	0,94	0,26	0,14	2,20	1,30	0,35	0,39	lb 2,54		
GV3 SAE8	13	MPa 50	mm 45	21,7	103,5	80	14,1	19	59,1	45	66,5	62,9	8	M8	SAE8	10,5	6,25	6,5	23	57	32	6,6	6	64	33	9	13	kg 1,362	GV3EEE23011B000	
		Psi 7250	inch 1,77	0,85	4,07	3,15	0,56	0,75	2,33	1,77	2,62	2,48	0,31			0,41	0,25	0,26	0,91	2,24	1,26	0,26	0,24	2,52	1,30	0,35	0,51	lb 3,00		
GV3 SAE12	20	MPa 35	mm 55	23,4	129,5	101	18,5	24	73,5	55	85	78	10,5	M8	SAE	13,5	9	7,5	25,5	75,5	40	8	6	80	43	14	20	kg 2,51	GV3EEE33011B000	
		Psi 5075	inch 2,17	0,92	5,10	3,98	0,73	0,94	2,89	2,17	3,35	3,07	0,41			12	0,53	0,35	0,30	1,00	2,97	1,57	0,31	0,24	3,15	1,69	0,55	0,79		lb 5,53
GV3 SAE16	25	MPa 35	mm 65	29,5	133,5	105	18,5	24	83,5	65	97,5	88	7,5	M8	SAE	13,5	9	8,5	27,5	77,5	48	8	6	90	53	14	25	kg 3,564	GV3EEE43011B000	
		Psi 5075	inch 2,56	1,16	5,26	4,13	0,73	0,94	3,29	2,56	3,84	3,46	0,30			16	0,53	0,35	0,33	1,08	3,05	1,89	0,31	0,24	3,54	2,09	0,55	0,98		lb 7,86
GV3 SAE20R	25	MPa 35	mm 65	29,5	133,5	105	18,5	24	83,5	65	99	88	7,5	M8	SAE	13,5	9	8,5	27,5	77,5	48	8	6	90	53	14	25	kg 3,485	GV3EEE83011B000	
		Psi 5075	inch 2,56	1,16	5,26	4,13	0,73	0,94	3,29	2,56	3,90	3,46	0,30			20R	0,53	0,35	0,33	1,08	3,05	1,89	0,31	0,24	3,54	2,09	0,55	0,98		lb 7,68
GV3 SAE20	32	MPa 35	mm 80	33,5	133,5	105	18,5	30	98,5	80	118	104	9,5	M8	SAE	13,5	9	10	24,5	80,5	60	8	8	86	64	17	32	kg 5,32	GV3EEE53011B000	
		Psi 5075	inch 3,15	1,32	5,26	4,13	0,73	1,18	3,88	3,15	4,65	4,09	0,37			20	0,53	0,35	0,39	0,96	3,17	2,36	0,31	0,31	3,39	2,52	0,67	1,26		lb 11,73

WELD MOUNTING PLATES



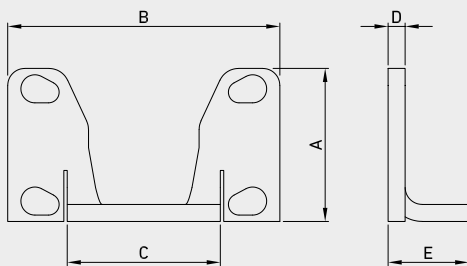
Lateral plate

TYPE	DN	A	B	C	D	E	Material	Treatment	WEIGHT	CODE
GV LATERAL PLATE	10-13	mm 45	80	45	5	23,7	Carbon Steel	Phosphated	kg 0,088	C0635101Z
		inch 1,77	3,15	1,77	0,20	0,93			lb 0,19	
	20-25	mm 65	105	63	5	23,7	Carbon Steel	Phosphated	kg 0,158	C0635301Z
		inch 2,56	4,13	2,48	0,20	0,93			lb 0,35	

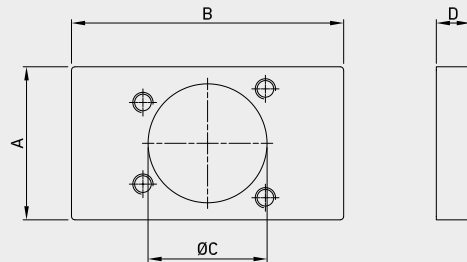


Low plate

TYPE	DN	A	B	CØ	D	Material	Treatment	WEIGHT	CODE
GV LOW PLATE	10-13	mm 45	80	35	10	Carbon Steel	Phosphated	kg 0,201	C0634901Z
		inch 1,77	3,15	1,38	0,39			lb 0,44	
	20-25	mm 65	105	45	10	Carbon Steel	Phosphated	kg 0,398	C0635001Z
		inch 2,56	4,13	1,77	0,39			lb 0,88	



Lateral plate



Low plate



# GV3K

## 3-WAY HIGH PRESSURE BALL VALVES

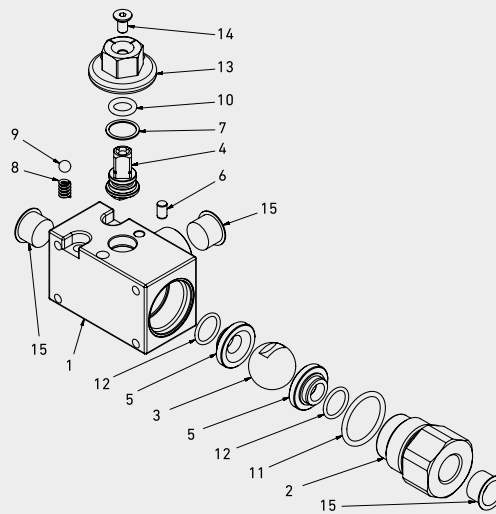
Edition. 21.1

### CS Carbon Steel

- Type: ball valve 3 way special seats, zero leakage
- Sizes: from DN10 up to DN20
- Ends: BSP-NPT-SAE / ISO6162-1
- O-Rings: NBR, FKM, EPDM, MVQ
- Pressure: up to PN500 / S6000
- Temp range: -20°C to +100°C
- Treatment: Galvanized

REGISTERED DESIGN

### STANDARD COMPOSITION OF VALVE



POS	DESCRIPTION	Q.TY	CS Carbon Steel MATERIAL
1	Body	1	1,0737
2	Adapter	1	1,0737
3	Ball	1	1,0737
4	Stem	1	1,0737
5	Ball seat	2	POM
6	Pin	1	1,0737
7	Stem ring	1	POM
8	Spring UNI17223-1	1	1,0116
9	Spring ball	1	1,0116
10	Stem o-ring	1	FKM
11	Adapter o-ring	1	FKM
12	Adapter o-ring	1	FKM
13	Washer	1	1,0737
14	Screw	1	DIN 7991 8.8
15	Caps	2	PVC



**CODE DESCRIPTION STRUCTURE**

GV	G1/2	DN13	1	1	1	1	A	B
----	------	------	---	---	---	---	---	---

**Type and way of valve**

GV3K 3-way

**Ends**

GAS DIN/ ISO 228 BSP	NPT ANSI /ASME B1.20.1	SAE J1926-1	ISO 6162
G 3/8	N 3/8	SAE6	S6000
G 1/2	N 1/2	SAE8	
G 3/4	N 3/4	SAE12	

**Size**

DN10  
DN13  
DN20

**Body Material**

● 1 = 1,0737

**Adapter material**

● 1 = 1,0737

**Steam material**

● 1 = 1,0737

**Ball Material**

● 1 = 1,0737

**Seat material**

A = POM D = PEEK\* K = GEMPTFE\* C = PTFE\*

**Seal material**

E = FKM\* B = NBR\* F = EPDM\* L = MVQ\*

**\*On request**

- Reduced bore
- Special threads

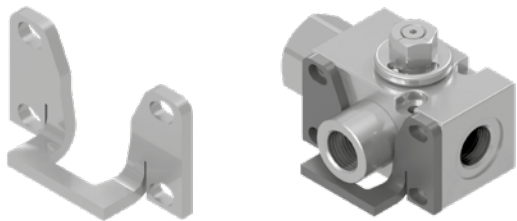
- Pressure class up to PN50 Mpa
- Locking device

*For further special requests please consult our technical/commercial service.*



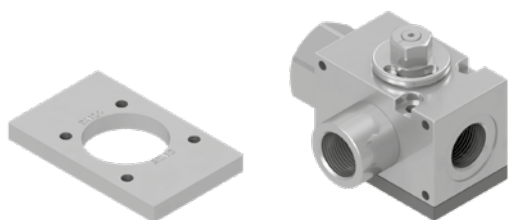


## WELD MOUNTING PLATES



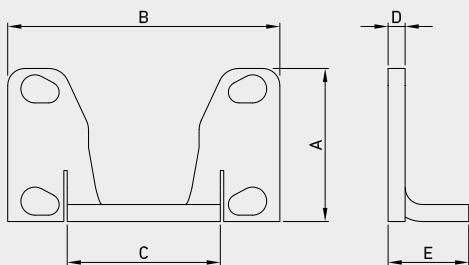
### Lateral plate

TYPE	DN	A	B	C	D	E	Material	Treatment	WEIGHT	CODE		
GV LATERAL PLATE	10-13	mm	45	80	45	5	23,7	Carbon Steel	Phosphated	kg	0,088	C0635101Z
		inch	1,77	3,15	1,77	0,20	0,93			lb	0,19	
	20-25	mm	65	105	63	5	23,7	Carbon Steel	Phosphated	kg	0,158	
		inch	2,56	4,13	2,48	0,20	0,93			lb	0,35	

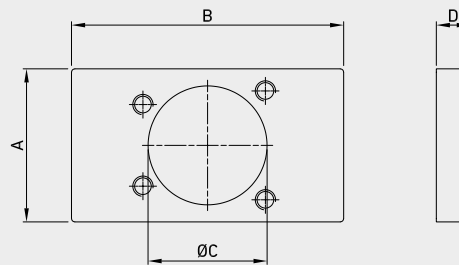


### Low plate

TYPE	DN	A	B	CØ	D	Material	Treatment	WEIGHT	CODE		
GV LOW PLATE	10-13	mm	45	80	35	10	Carbon Steel	Phosphated	kg	0,201	C0634901Z
		inch	1,77	3,15	1,38	0,39			lb	0,44	
	20-25	mm	65	105	45	10	Carbon Steel	Phosphated	kg	0,398	
		inch	2,56	4,13	1,77	0,39			lb	0,88	



Lateral plate



Low plate



# G3K

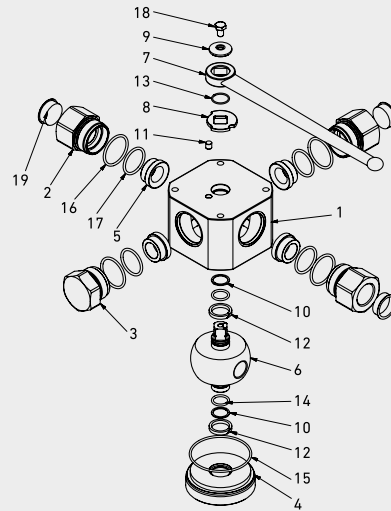
## 3-WAY HIGH PRESSURE BALL VALVES

Edition. 21.2

### CS Carbon Steel

- Type: ball valve 3 way
- Sizes: from DN6 up to DN25
- Ends: BSP-NPT
- Pressure: up to PN500
- Temp range: from -20°C to +100°C
- Treatment: Galvanized

### STANDARD COMPOSITION OF VALVE



POS	DESCRIPTION	Q.TY	CS	POS	DESCRIPTION	Q.TY	CS
			Carbon Steel				Carbon Steel
			MATERIAL				MATERIAL
1	Body	1	1,0737	11	Pin	1	1,0737
2	Adapter	3	1,0737	12	Body ring	2	PTFE
3	Close adapter	1	1,0737	13	Seeger	1	1,4404
4	Stemball adapter	1	1,0737	14	Stemball o-ring	2	NBR
5	Ball seat	4	POM	15	Body o-ring	1	NBR
6	Ball stem	1	1,0737	16	Adapter o-ring	4	NBR
7	Handle	1	ZINC	17	Seal o-ring	4	NBR
8	Washer	1	1,0116	18	Screw	1	DIN 6921 8.8
9	Washer	1	1,0116	19	Caps	4	PVC
10	Stemball ring	2	PTFE				



**CODE DESCRIPTION STRUCTURE**

<b>G3K</b>	<b>K01</b>	<b>G1/4</b>	<b>DN6</b>	<b>1</b>	<b>1</b>	<b>1</b>	<b>1</b>	<b>A</b>	<b>B</b>
------------	------------	-------------	------------	----------	----------	----------	----------	----------	----------

**Type and way of valve**

G3K 3-way

**Type of way**

- L K01
- T K02
- X K14

**Ends**

**GAS DIN/ NPT ANSI**  
**ISO 228 /ASME**  
**BSP B1.20.1**

- G 1/4 N 1/4
- G 3/8 N 3/8
- G 1/2 N 1/2
- G 3/4 N 3/4
- G 1 N 1
- G 1 1/4 R N 1 1/4 R
- G 1 1/2 R N 1 1/2 R

**Size**

from DN6 to DN25

**Body Material**

- 1 = 1,0737

**Adapter material**

- 1 = 1,0737

**Stem material**

- 1 = 1,0737 4 = 1,4404\*

**Ball Material**

- 1 = 1,0737 4 = 1,4404\*

**Seat material**

A = POM

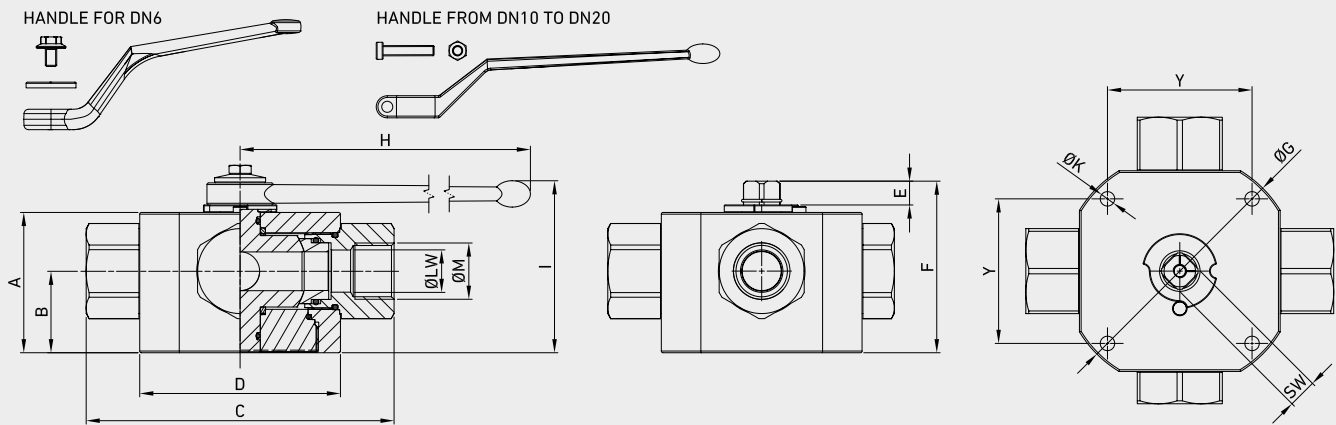
**Seal material**

B = NBR

**\*On request**

- Reduced bore
- Special threads
- Pressure class up to PN35 MPa
- Pneumatic and electrical actuator
- Locking device

For further special requests please consult our technical/commercial service.



**G3K DIN ISO 228 BSP**

TYPE	DN	PN	A	B	C	D	E	F	ØG	H	I	ØK	ØM	Y	SW	ØLW	WEIGHT
G3K G 1/4	6	MPa 50	mm 42	21,5	100	70	11	56,5	-	110	97,5	6,5	G 1/4	55	9	6	kg 1,767
		Psi 7250	inch 1,65	0,85	3,94	2,76	0,43	2,22	-	4,33	3,84	0,26		2,17	0,35	0,24	lb 3,90
G3K G 3/8	10	MPa 50	mm 53	28,5	115	80	14	71,5	-	180	101	6,5	G 3/8	65	14	10	kg 3,018
		Psi 7250	inch 2,09	1,12	4,53	3,15	0,55	2,81	-	7,09	3,98	0,26		2,56	0,55	0,39	lb 6,65
G3K G 1/2	13	MPa 40	mm 62	33	136	100	14	80,5	-	180	110	8,5	G 1/2	80	14	13	kg 5,247
		Psi 5800	inch 2,44	1,30	5,35	3,94	0,55	3,17	-	7,09	4,33	0,33		3,15	0,55	0,51	lb 11,57
G3K G 3/4	20	MPa 35	mm 68	36	156	113	14	86,5	-	300	116,5	8,5	G 3/4	85	14	20	kg 6,898
		Psi 5075	inch 2,68	1,42	6,14	4,45	0,55	3,41	-	11,81	4,59	0,33		3,35	0,55	0,79	lb 15,21
G3K G 1	25	MPa 35	mm 82	47,5	181	118	14	100,5	138	300	130,5	8,5	G 1	85	14	25	kg 9,005
		Psi 5075	inch 3,23	1,87	7,13	4,65	0,55	3,96	5,43	11,81	5,14	0,33		3,35	0,55	0,98	lb 19,85
G3K G 1 1/4 R	25	MPa 35	mm 82	47,5	181	118	14	100,5	138	300	130,5	8,5	G 1 1/4	85	14	25	kg 8,989
		Psi 5075	inch 3,23	1,87	7,13	4,65	0,55	3,96	5,43	11,81	5,14	0,33		3,35	0,55	0,98	lb 19,82
G3K G 1 1/2 R	25	MPa 35	mm 82	47,5	181	118	14	100,5	138	300	130,5	8,5	G 1 1/2	85	14	25	kg 9,213
		Psi 5075	inch 3,23	1,87	7,13	4,65	0,55	3,96	5,43	11,81	5,14	0,33		3,35	0,55	0,98	lb 20,31

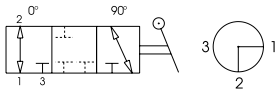
**G3K ANSI/ASME B1.20.1 NPT**

TYPE	DN	PN	A	B	C	D	E	F	ØG	H	I	ØK	ØM	Y	SW	ØLW	WEIGHT
G3K N 1/4	6	MPa 50	mm 42	21,5	100	70	11	56,5	-	110	97,5	6,5	N 1/4	55	9	6	kg 1,767
		Psi 7250	inch 1,65	0,85	3,94	2,76	0,43	2,22	-	4,33	3,84	0,26		2,17	0,35	0,24	lb 3,90
G3K N 3/8	10	MPa 50	mm 53	28,5	115	80	14	71,5	-	180	101	6,5	N 3/8	65	14	10	kg 3,018
		Psi 7250	inch 2,09	1,12	4,53	3,15	0,55	2,81	-	7,09	3,98	0,26		2,56	0,55	0,39	lb 6,65
G3K N 1/2	13	MPa 40	mm 62	33	136	100	14	80,5	-	180	110	8,5	N 1/2	80	14	13	kg 5,247
		Psi 5800	inch 2,44	1,30	5,35	3,94	0,55	3,17	-	7,09	4,33	0,33		3,15	0,55	0,51	lb 11,57
G3K N 3/4	20	MPa 35	mm 68	36	156	113	14	86,5	-	300	116,5	8,5	N 3/4	85	14	20	kg 6,898
		Psi 5075	inch 2,68	1,42	6,14	4,45	0,55	3,41	-	11,81	4,59	0,33		3,35	0,55	0,79	lb 15,21
G3K N 1	25	MPa 35	mm 82	47,5	181	118	14	100,5	138	300	130,5	8,5	N 1	85	14	25	kg 9,005
		Psi 5075	inch 3,23	1,87	7,13	4,65	0,55	3,96	5,43	11,81	5,14	0,33		3,35	0,55	0,98	lb 19,85
G3K N 1 1/4 R	25	MPa 35	mm 82	47,5	181	118	14	100,5	138	300	130,5	8,5	N 1 1/4	85	14	25	kg 8,989
		Psi 5075	inch 3,23	1,87	7,13	4,65	0,55	3,96	5,43	11,81	5,14	0,33		3,35	0,55	0,98	lb 19,82
G3K N 1 1/2 R	25	MPa 35	mm 82	47,5	181	118	14	100,5	138	300	130,5	8,5	N 1 1/2	85	14	25	kg 9,213
		Psi 5075	inch 3,23	1,87	7,13	4,65	0,55	3,96	5,43	11,81	5,14	0,33		3,35	0,55	0,98	lb 20,31

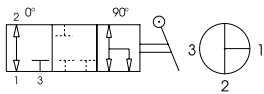
G3K DIN ISO 228 BSP

G3K ANSL/ASME B1.20.1 NPT

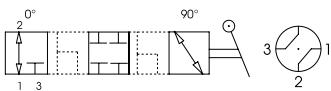
L scheme  
G3 K01



T scheme  
G3 K02



X scheme  
G3 K14



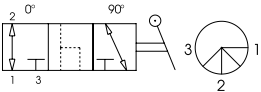
	CS Carbon Steel		CS Carbon Steel
ØLW-K01	ITEM CODE G3K01	ØLW-K01	ITEM CODE G3K01
6	G23GGT15011A000	6	G23NNT15011A000
10	G23GGT25011A000	10	G23NNT25011A000
13	G23GGT34011A000	13	G23NNT34011A000
19	G23GGT43011A000	19	G23NNT43011A000
23	G23GGT53011A000	23	G23NNT53011A000
23	G23GGR63011A000	23	G23NNR63011A000
23	G23GGR73011A000	23	G23NNR73011A000

ØLW-K02	ITEM CODE G3K02	ØLW-K02	ITEM CODE G3K02
6	G2AGGT15011A000	6	G2ANNT15011A000
10	G2AGGT25011A000	10	G2ANNT25011A000
13	G2AGGT34011A000	13	G2ANNT34011A000
19	G2AGGT43011A000	19	G2ANNT43011A000
23	G2AGGT53011A000	23	G2ANNT53011A000
23	G2AGGR63011A000	23	G2ANNR63011A000
23	G2AGGR73011A000	23	G2ANNR73011A000

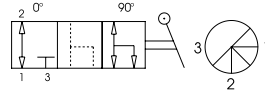
ØLW-K14	ITEM CODE G3K14	ØLW-K14	ITEM CODE G3K14
5	G2BGGT15011A000	5	G2BNNT15011A000
7	G2BGGT25011A000	7	G2BNNT25011A000
10	G2BGGT34011A000	10	G2BNNT34011A000
15	G2BGGT43011A000	15	G2BNNT43011A000
17	G2BGGT53011A000	17	G2BNNT53011A000
17	G2BGGR63011A000	17	G2BNNR63011A000
17	G2BGGR73011A000	17	G2BNNR73011A000

Special schemes on request

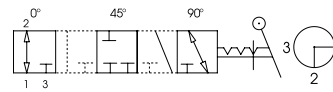
G3 K03



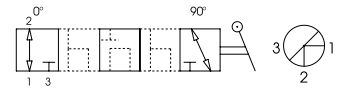
G3 K04



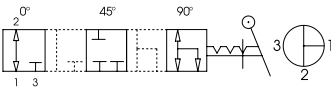
G3 K05



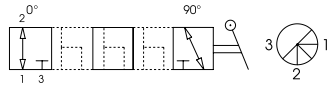
G3 K06



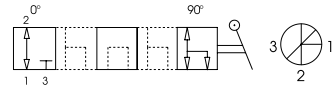
G3 K07



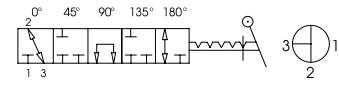
G3 K08



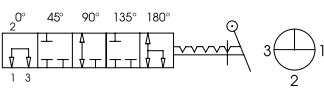
G3 K09



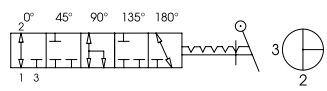
G3 K10



G3 K11



G3 K12





# G4K

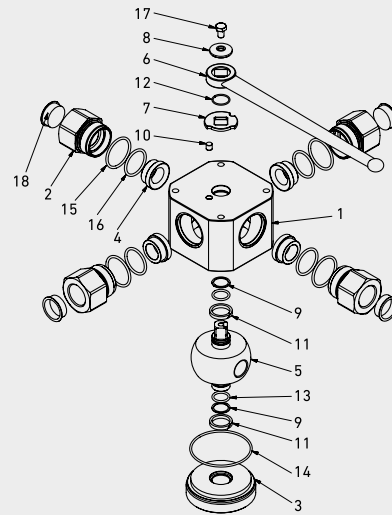
## 4-WAY HIGH PRESSURE BALL VALVES

Edition. 21.2

### CS Carbon Steel

- Type: ball valve 4 way
- Sizes: from DN6 up to DN25
- Ends: BSP-NPT
- Pressure: up to PN500
- Temp range: from -20°C to +100°C
- Treatment: Galvanized

### STANDARD COMPOSITION OF VALVE



POS	DESCRIPTION	Q.TY	CS Carbon Steel MATERIAL	POS	DESCRIPTION	Q.TY	CS Carbon Steel MATERIAL
1	Body	1	1,0737	11	Body ring	2	PTFE
2	Adapter	4	1,0737	12	Seeger	1	1,4404
3	Stemball adapter	1	1,0737	13	Stemball o-ring	2	NBR
4	Ball seat	4	POM	14	Body o-ring	1	NBR
5	Ball stem	1	1,0737	15	Adapter o-ring	4	NBR
6	Handle	1	ZINC	16	Seal o-ring	4	NBR
7	Washer	1	1,0116	17	Screw	1	DIN 6921 8.8
8	Washer	1	1,0116	18	Caps	4	PVC
9	Stemball ring	2	PTFE				
10	Pin	1	1,0737				



**CODE DESCRIPTION STRUCTURE**

<b>G4K</b>	<b>K01</b>	<b>G1/4</b>	<b>DN6</b>	<b>1</b>	<b>1</b>	<b>1</b>	<b>1</b>	<b>A</b>	<b>B</b>
------------	------------	-------------	------------	----------	----------	----------	----------	----------	----------

**Type and way of valve** \_\_\_\_\_

G4K 4-way

**Type of way** \_\_\_\_\_

- L K01
- T K02
- X K14

**Ends** \_\_\_\_\_

**GAS DIN/ NPT ANSI**  
**ISO 228 /ASME**  
**BSP B1.20.1**

- G 1/4 N 1/4
- G 3/8 N 3/8
- G 1/2 N 1/2
- G 3/4 N 3/4
- G 1 N 1
- G 1 1/4 R N 1 1/4 R
- G 1 1/2 R N 1 1/2 R

**Size** \_\_\_\_\_

from DN6 to DN25

**Body Material** \_\_\_\_\_

- 1 = 1,0737

**Adapter material** \_\_\_\_\_

- 1 = 1,0737

**Stem material** \_\_\_\_\_

- 1 = 1,0737

**Ball Material** \_\_\_\_\_

- 1 = 1,0737

**Seat material** \_\_\_\_\_

A = POM

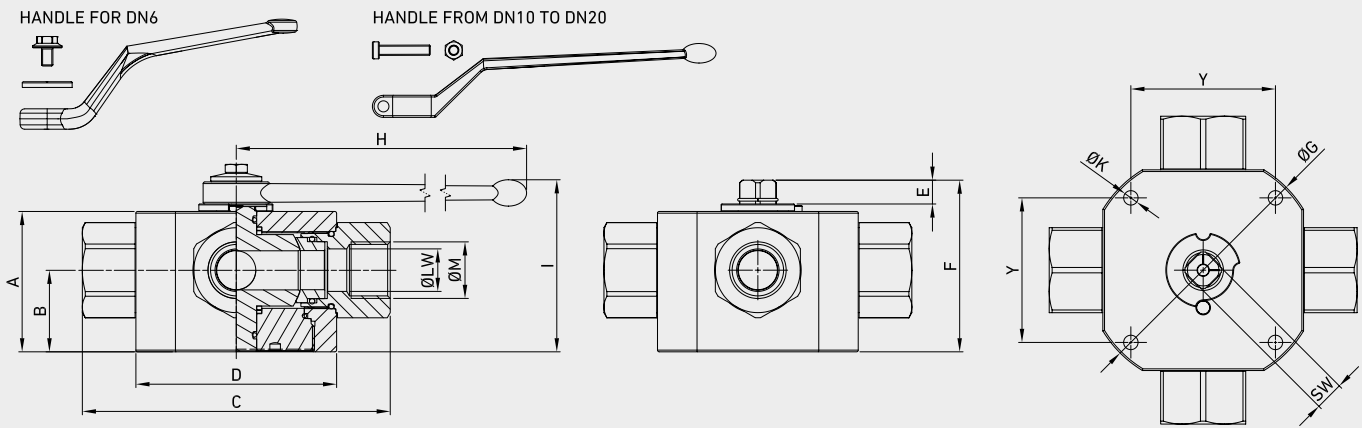
**Seal material** \_\_\_\_\_

B = NBR

\*On request

- Reduced bore
- Special threads
- Pressure class up to PN50 MPa
- Pneumatic and electrical actuator
- Locking device

For further special requests please consult our technical/commercial service.



**G4K DIN ISO 228 BSP**

TYPE	DN	PN	A	B	C	D	E	F	ØG	H	I	ØK	ØM	Y	SW	ØLW	WEIGHT
G4K G 1/4	6	MPa 50	mm 42	21,5	100	70	11	56,5	-	110	97,5	6,5	G 1/4	55	9	6	kg 1,767
		Psi 7250	inch 1,65	0,85	3,94	2,76	0,43	2,22	-	4,33	3,84	0,26		2,17	0,35	0,24	lb 3,90
G4K G 3/8	10	MPa 50	mm 53	28,5	115	80	14	71,5	-	180	101	6,5	G 3/8	65	14	10	kg 3,018
		Psi 7250	inch 2,09	1,12	4,53	3,15	0,55	2,81	-	7,09	3,98	0,26		2,56	0,55	0,39	lb 6,65
G4K G 1/2	13	MPa 40	mm 62	33	136	100	14	80,5	-	180	110	8,5	G 1/2	80	14	13	kg 5,247
		Psi 5800	inch 2,44	1,30	5,35	3,94	0,55	3,17	-	7,09	4,33	0,33		3,15	0,55	0,51	lb 11,57
G4K G 3/4	20	MPa 35	mm 68	36	156	113	14	86,5	-	300	116,5	8,5	G 3/4	85	14	20	kg 6,898
		Psi 5075	inch 2,68	1,42	6,14	4,45	0,55	3,41	-	11,81	4,59	0,33		3,35	0,55	0,79	lb 15,21
G4K G 1	25	MPa 35	mm 82	47,5	181	118	14	100,5	138	300	130,5	8,5	G 1	85	14	25	kg 9,005
		Psi 5075	inch 3,23	1,87	7,13	4,65	0,55	3,96	5,43	11,81	5,14	0,33		3,35	0,55	0,98	lb 19,85
G4K G 1 1/4 R	25	MPa 35	mm 82	47,5	181	118	14	100,5	138	300	130,5	8,5	G 1 1/4	85	14	25	kg 8,989
		Psi 5075	inch 3,23	1,87	7,13	4,65	0,55	3,96	5,43	11,81	5,14	0,33		3,35	0,55	0,98	lb 19,82
G4K G 1 1/2 R	25	MPa 35	mm 82	47,5	181	118	14	100,5	138	300	130,5	8,5	G 1 1/2	85	14	25	kg 9,213
		Psi 5075	inch 3,23	1,87	7,13	4,65	0,55	3,96	5,43	11,81	5,14	0,33		3,35	0,55	0,98	lb 20,31

**G4K ANSI/ASME B1.20.1 NPT**

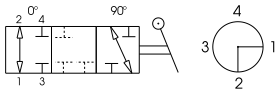
TYPE	DN	PN	A	B	C	D	E	F	ØG	H	I	ØK	ØM	Y	SW	ØLW	WEIGHT
G4K N 1/4	6	MPa 50	mm 42	21,5	100	70	11	56,5	-	110	97,5	6,5	N 1/4	55	9	6	kg 1,767
		Psi 7250	inch 1,65	0,85	3,94	2,76	0,43	2,22	-	4,33	3,84	0,26		2,17	0,35	0,24	lb 3,90
G4K N 3/8	10	MPa 50	mm 53	28,5	115	80	14	71,5	-	180	101	6,5	N 3/8	65	14	10	kg 3,018
		Psi 7250	inch 2,09	1,12	4,53	3,15	0,55	2,81	-	7,09	3,98	0,26		2,56	0,55	0,39	lb 6,65
G4K N 1/2	13	MPa 40	mm 62	33	136	100	14	80,5	-	180	110	8,5	N 1/2	80	14	13	kg 5,247
		Psi 5800	inch 2,44	1,30	5,35	3,94	0,55	3,17	-	7,09	4,33	0,33		3,15	0,55	0,51	lb 11,57
G4K N 3/4	20	MPa 35	mm 68	36	156	113	14	86,5	-	300	116,5	8,5	N 3/4	85	14	20	kg 6,898
		Psi 5075	inch 2,68	1,42	6,14	4,45	0,55	3,41	-	11,81	4,59	0,33		3,35	0,55	0,79	lb 15,21
G4K N 1	25	MPa 35	mm 82	47,5	181	118	14	100,5	138	300	130,5	8,5	N 1	85	14	25	kg 9,005
		Psi 5075	inch 3,23	1,87	7,13	4,65	0,55	3,96	5,43	11,81	5,14	0,33		3,35	0,55	0,98	lb 19,85
G4K N 1 1/4 R	25	MPa 35	mm 82	47,5	181	118	14	100,5	138	300	130,5	8,5	N 1 1/4	85	14	25	kg 8,989
		Psi 5075	inch 3,23	1,87	7,13	4,65	0,55	3,96	5,43	11,81	5,14	0,33		3,35	0,55	0,98	lb 19,82
G4K N 1 1/2 R	25	MPa 35	mm 82	47,5	181	118	14	100,5	138	300	130,5	8,5	N 1 1/2	85	14	25	kg 9,213
		Psi 5075	inch 3,23	1,87	7,13	4,65	0,55	3,96	5,43	11,81	5,14	0,33		3,35	0,55	0,98	lb 20,31



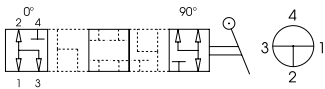
G4K DIN ISO 228 BSP

G4K ANSL/ASME B1.20.1 NPT

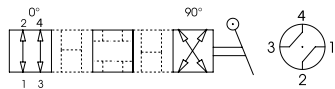
L scheme  
G4 K01



T scheme  
G4 K13



X scheme  
G4 K14



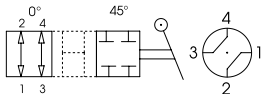
	CS Carbon Steel		CS Carbon Steel
ØLW-K01	ITEM CODE G4K01	ØLW-K01	ITEM CODE G4K01
6	G24GGT15011A000	6	G24NNT15011A000
10	G24GGT25011A000	10	G24NNT25011A000
13	G24GGT34011A000	13	G24NNT34011A000
19	G24GGT43011A000	19	G24NNT43011A000
23	G24GGT53011A000	23	G24NNT53011A000
23	G24GGR63011A000	23	G24NNT63011A000
23	G24GGR73011A000	23	G24NNT73011A000

ØLW-K13	ITEM CODE G4K13	ØLW-K13	ITEM CODE G4K13
6	G2DGGT15011A000	6	G2DNNT15011A000
10	G2DGGT25011A000	10	G2DNNT25011A000
13	G2DGGT34011A000	13	G2DNNT34011A000
19	G2DGGT43011A000	19	G2DNNT43011A000
23	G2DGGT53011A000	23	G2DNNT53011A000
23	G2DGGR63011A000	23	G2DNNT63011A000
23	G2DGGR73011A000	23	G2DNNT73011A000

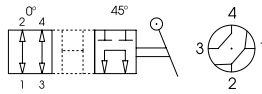
ØLW-K14	ITEM CODE G4K14	ØLW-K14	ITEM CODE G3K14
5	G2EGGT15011A000	5	G2ENNT15011A000
7	G2EGGT25011A000	7	G2ENNT25011A000
10	G2EGGT34011A000	10	G2ENNT34011A000
15	G2EGGT43011A000	15	G2ENNT43011A000
17	G2EGGT53011A000	17	G2ENNT53011A000
17	G2EGGR63011A000	17	G2ENNT63011A000
17	G2EGGR73011A000	17	G2ENNT73011A000

Special schemes on request

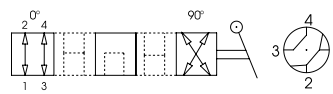
G4 K15



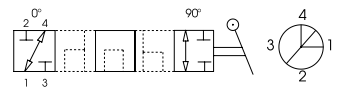
G4 K16



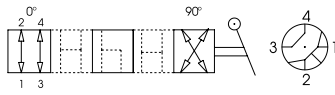
G4 K17



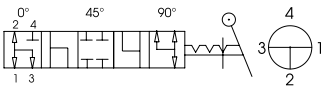
G4 K18



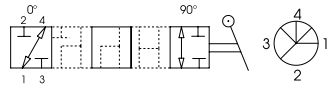
G4 K19



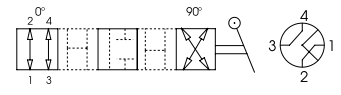
G4 K20



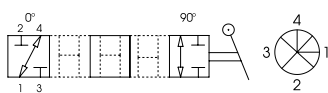
G4 K21



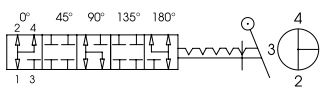
G4 K22



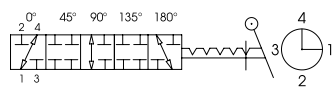
G4 K23



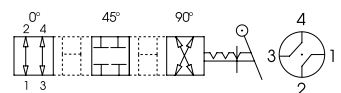
G4 K24



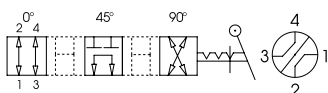
G4 K25



G4 K26



G4 K27





# GPK2

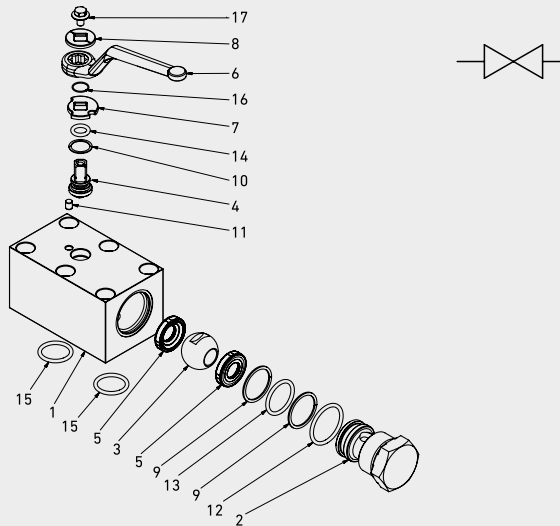
## 2-WAY HIGH PRESSURE BALL VALVES

Edition. 21.2

### CS Carbon Steel

- Type: manifold
- Sizes: from DN6 up to DN50
- Ends: Drilling pattern Gemels
- Pressure: up to PN500
- Temp range: from -20°C to +100°C
- Treatment: Galvanized

### STANDARD COMPOSITION OF VALVE



POS	DESCRIPTION	Q.TY	CS Carbon Steel		POS	DESCRIPTION	Q.TY	CS Carbon Steel	
				MATERIAL					MATERIAL
1	Body	1		1,0737	11	Seeger	1		1,4404
2	Adapter	1		1,0737	12	Adapter o-ring	1		NBR
3	Ball	1		1,0737	13	Adapter o-ring	1		NBR
4	Stem	1		1,0737	14	Body o-ring	2		NBR
5	Ball seat	2		POM	15	Stem o-ring	1		NBR
6	Handle	1		ZINC	16	Screw	1		Din 6921 8.8
7	Washer	1		1,0116	17	Back-Up	2		PTFE
8	Washer	1		1,0116					
9	Stem ring	1		POM					
10	Pin	1		1,0737					



**CODE DESCRIPTION STRUCTURE**

<b>GPK2</b>	<b>DN13</b>	<b>1</b>	<b>1</b>	<b>1</b>	<b>1</b>	<b>A</b>	<b>B</b>
-------------	-------------	----------	----------	----------	----------	----------	----------

**Type and way of valve**

GPK2 2-way

**Size**

from DN6 to DN50

**Body Material**

● 1 = 1,0737 4 = 1,4404\*

**Adapter material**

● 1 = 1,0737 4 = 1,4404\*

**Stem material**

● 1 = 1,0737 4 = 1,4404\*

**Ball Material**

● 1 = 1,0737 4 = 1,4404\*

**Seat material**

A = POM D = PEEK\* G = PA612\* K = GEMPTFE\* C = PTFE\*

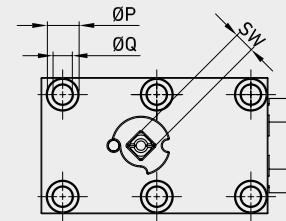
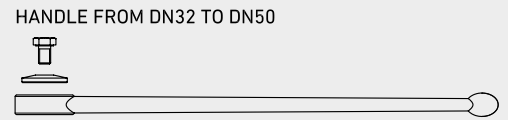
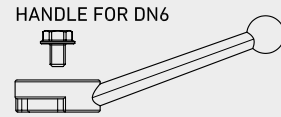
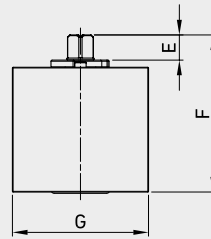
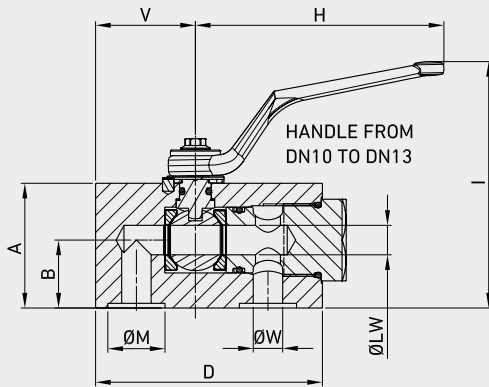
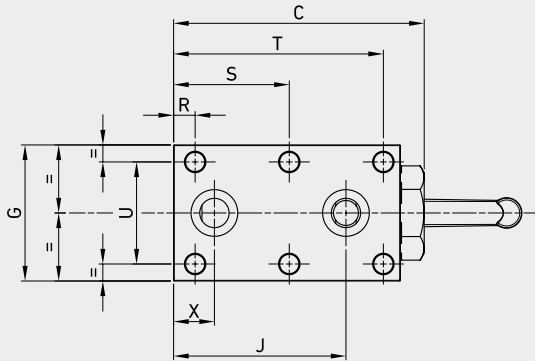
**Seal material**

B = NBR E = FKM\*

**\*On request**

- Reduced bore
- Pressure class up to PN50 MPa
- Pneumatic and electrical actuator
- Locking device

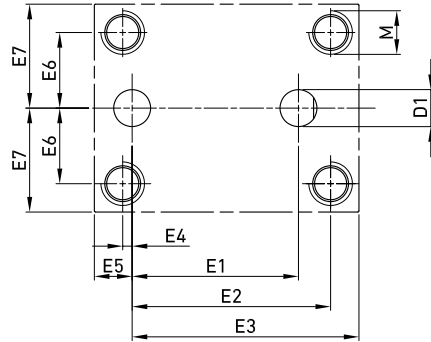
*For further special requests please consult our technical/commercial service.*



GPK2

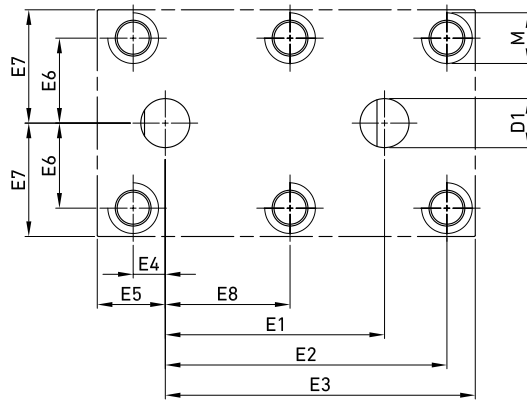
CS  
Carbon Steel

TYPE	DN	PN	A	B	C	D	E	F	G	H	I	J	ØM	ØP	ØQ	R	S	T	U	V	ØW	X	SW	ØLW	WEIGHT	ITEM CODE
GPK2	6	MPa 50	mm 35	22,5	64,5	58	7,5	42,5	40	60	61	44	11,8	10,5	6,5	9	-	44,5	27	26,5	6	9,5	6	6	kg 0,593	GP200T15011A000
		Psi 7250	inch 1,38	0,89	2,54	2,28	0,30	1,67	1,57	2,36	2,40	1,73	0,46	0,41	0,26	0,35	-	1,75	1,06	1,04	0,24	0,37	0,24	0,24	lb 1,31	
GPK2	10	MPa 50	mm 45	22,5	79,5	70	11	59	55	110	101	54	14,9	13,5	8,5	7,5	-	62,5	40	28,75	9,8	10	9	10	kg 1,304	GP200T25011A000
		Psi 7250	inch 1,77	0,89	3,13	2,76	0,43	2,32	2,17	4,33	3,98	2,13	0,59	0,53	0,33	0,30	-	2,46	1,57	1,13	0,39	0,39	0,35	0,39	lb 2,87	
GPK2	13	MPa 40	mm 55	30	110,5	100	11	69	60	110	111	76	24,9	13,5	8,5	9,5	51	92,5	45	44	13	18	9	13	kg 2,387	GP200T34011A000
		Psi 5800	inch 2,17	1,18	4,35	3,94	0,43	2,72	2,36	4,33	4,37	2,99	0,98	0,53	0,33	0,37	2,01	3,64	1,77	1,73	0,51	0,71	0,35	0,51	lb 5,26	
GPK2	20	MPa 35	mm 70	38,5	129	118	14	88,5	70	180	121,5	90	29	16,5	10,5	11,5	60	108,5	51	52	20	21	14	20	kg 4,079	GP200T43011A000
		Psi 5075	inch 2,76	1,52	5,08	4,65	0,55	3,48	2,76	7,09	4,78	3,54	1,14	0,65	0,41	0,45	2,36	4,27	2,01	2,05	0,79	0,83	0,55	0,79	lb 8,99	
GPK2	25	MPa 35	mm 79,5	44	146	135	14	98	80	180	131	105	34,9	16,5	10,5	9	67	124	60	61,25	25	24	14	25	kg 5,883	GP200T53011A000
		Psi 5075	inch 3,13	1,73	5,75	5,31	0,55	3,86	3,15	7,09	5,16	4,13	1,37	0,65	0,41	0,35	2,64	4,88	2,36	2,41	0,98	0,94	0,55	0,98	lb 12,97	
GPK2	32	MPa 35	mm 105,5	58,75	183,5	165	14	124	100	300	124	124	39,7	19	13	11	79	147	78	74	32	28	17	32	kg 12,169	GP200T63011A000
		Psi 5075	inch 4,15	2,31	7,22	6,50	0,55	4,88	3,94	11,81	4,88	4,88	1,56	0,75	0,51	0,43	3,11	5,79	3,07	2,91	1,26	1,10	0,67	1,26	lb 26,83	
GPK2	40	MPa 35	mm 115	61,25	201,5	185	14	133,5	130	300	134	141	47,7	25	16,5	29	85	141	95	85	37	24	17	40	kg 18,624	GP200T73011A000
		Psi 5075	inch 4,53	2,41	7,93	7,28	0,55	5,26	5,12	11,81	5,28	5,55	1,88	0,98	0,65	1,14	3,35	5,55	3,74	3,35	1,46	0,94	0,67	1,57	lb 41,06	
GPK2	50	MPa 35	mm 129	72	256,5	240	14	147	150	300	147,5	174	59,8	31	21	38	106	174	112	106	48	38	17	48	kg 30,644	GP200T83011A000
		Psi 5075	inch 5,08	2,83	10,10	9,45	0,55	5,79	5,91	11,81	5,81	6,85	2,35	1,22	0,83	1,50	4,17	6,85	4,41	4,17	1,89	1,50	0,67	1,89	lb 67,56	



### DRILLING PATTERN FOR DN6 TO DN10

DN	D1	E1	E2	E3	E4	E5	E6	E7	M	O-RING	
6	mm	6	35	34,5	48,5	0,5	9,5	13,5	20	M6	7,30 X 2,40
	inch	0,24	1,38	1,36	1,91	0,02	0,37	0,53	0,79		
10	mm	9,5	44	52,5	60	2,5	10	20	27,5	M8	9,92 X 2,62
	inch	0,37	1,73	2,07	2,36	0,10	0,39	0,79	1,08		



### DRILLING PATTERN FOR DN13 TO DN50

DN	D1	E1	E2	E3	E4	E5	E6	E7	E8	M	O-RING	
13	mm	13	58	74,5	82	8,5	18	22,5	30	33	M8	20,64 X 2,62
	inch	0,51	2,28	2,93	3,23	0,33	0,71	0,89	1,18	1,30		
20	mm	20	69	87,5	97	9,5	21	25,5	35	39	M10	23,81 X 2,62
	inch	0,79	2,72	3,44	3,82	0,37	0,83	1,00	1,38	1,54		
25	mm	25	81	100	111	15	24	30	40	43	M10	31,42 X 2,62
	inch	0,98	3,19	3,94	4,37	0,59	0,94	1,18	1,57	1,69		
32	mm	32	96	119	137	17	28	39	50	51	M12	34,59 X 2,62
	inch	1,26	3,78	4,69	5,39	0,67	1,10	3,07	1,97	2,01		
40	mm	37	-	112	156	-	29	47,5	65	56	M16	42,52 X 2,62
	inch	1,46	-	4,41	6,14	-	1,14	1,87	2,56	2,20		
50	mm	48	-	136	202	-	38	56	75	68	M20	53,64 X 2,62
	inch	1,89	-	5,35	7,95	-	1,50	2,20	2,95	2,68		



# GPK3

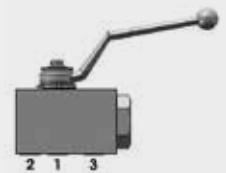
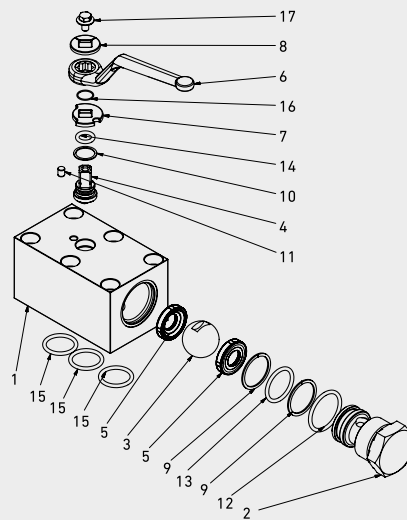
## 3-WAY HIGH PRESSURE BALL VALVES

Edition. 21.3

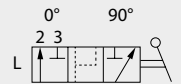
### CS Carbon Steel

- Type: manifold
- Sizes: from DN6 up to DN50
- Ends: Drilling pattern Gemels
- Pressure: up to PN500
- Temp range: from -20°C to +100°C
- Treatment: Galvanized

### STANDARD COMPOSITION OF VALVE



**WARNING!**  
Pressure inlet only from center port 1



POS	DESCRIPTION	Q.TY	CS Carbon Steel MATERIAL	POS	DESCRIPTION	Q.TY	CS Carbon Steel MATERIAL
1	Body	1	1,0737	11	Seeger	1	1,4404
2	Adapter	1	1,0737	12	Adapter o-ring	1	NBR
3	Ball	1	1,0737	13	Adapter o-ring	1	NBR
4	Stem	1	1,0737	14	Body o-ring	3	NBR
5	Ball seat	2	POM	15	Stem o-ring	1	NBR
6	Handle	1	ZINC	16	Screw	1	Din 6921 8.8
7	Washer	1	1,0116	17	Back-Up	2	PTFE
8	Washer	1	1,0116				
9	Stem ring	1	POM				
10	Pin	1	1,0737				



CODE DESCRIPTION STRUCTURE

GPK3 DN13 1 1 1 1 A B

Type and way of valve

GPK3 3-way

Size

from DN6 to DN50

Body Material

● 1 = 1,0737 4 = 1,4404\*

Adapter material

● 1 = 1,0737 4 = 1,4404\*

Stem material

● 1 = 1,0737 4 = 1,4404\*

Ball Material

● 1 = 1,0737 4 = 1,4404\*

Seat material

A = POM D = PEEK\* G = PA612\* K = GEMPTFE\* C = PTFE\*

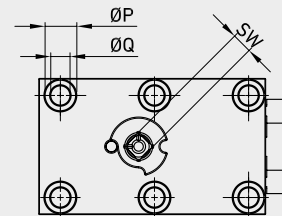
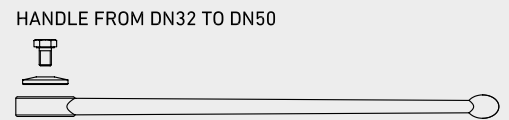
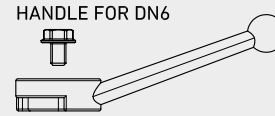
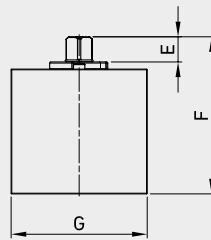
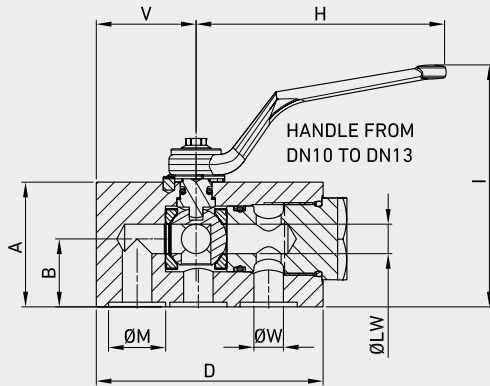
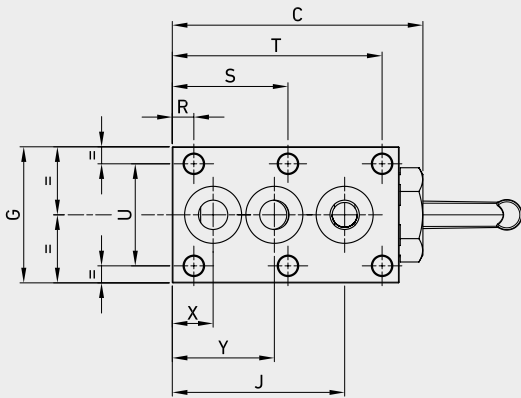
Seal material

B = NBR E = FKM\*

\*On request

- Reduced bore
- Pressure class up to PN50 MPa
- Pneumatic and electrical actuator
- Locking device

For further special requests please consult our technical/commercial service.

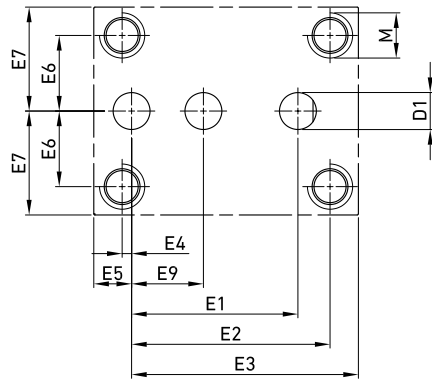


GPK3

CS  
Carbon Steel

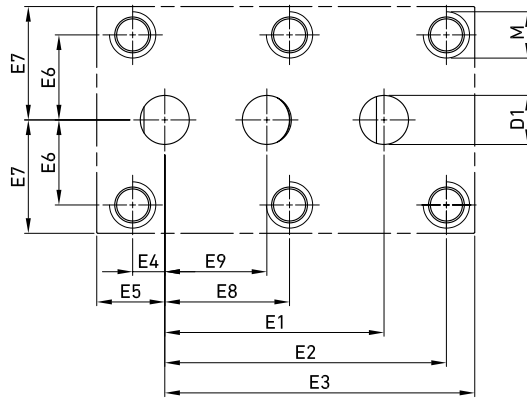
TYPE	DN	PN	A	B	C	D	E	F	G	H	I	J	ØM	ØP	ØQ	R	S	T	U	V	ØW	X	Y	SW	ØLW	WEIGHT	ITEM CODE
GPK3	6	MPa 50	mm 35	22,5	65	58	7,5	42,5	40	110	61	44,5	11,8	10,5	6,5	9	-	44	27	26,5	6	9,5	27	6	6	kg 0,593	GP300T15011A000
		Psi 7250	inch 1,38	0,89	2,56	2,28	0,30	1,67	1,57	4,33	2,40	1,75	0,46	0,41	0,26	0,35	-	1,73	1,06	1,04	0,24	0,37	1,06	0,24	0,24	lb 1,31	
GPK3	10	MPa 50	mm 45	22,5	80	70	11	59	55	110	101	54	14,9	13,5	8,5	7,5	-	62,5	40	28,75	9,8	10	29	9	10	kg 1,304	GP300T25011A000
		Psi 7250	inch 1,77	0,89	3,15	2,76	0,43	2,32	2,17	4,33	3,98	2,13	0,59	0,53	0,33	0,30	-	2,46	1,57	1,13	0,39	0,39	1,14	0,35	0,39	lb 2,87	
GPK3	13	MPa 40	mm 55	30	111	100	11	69	60	110	111	76	24,9	13,5	8,5	9,5	51	92,5	45	44	13	18	44,5	9	13	kg 2,387	GP300T34011A000
		Psi 5800	inch 2,17	1,18	4,37	3,94	0,43	2,72	2,36	4,33	4,37	2,99	0,98	0,53	0,33	0,37	2,01	3,64	1,77	1,73	0,51	0,71	1,75	0,35	0,51	lb 5,26	
GPK3	20	MPa 35	mm 70	38,5	129	118	14	88,5	70	180	121,5	90	29	16,5	10,5	11,5	60	108,5	51	52	20	21	52	14	20	kg 4,079	GP300T43011A000
		Psi 5075	inch 2,76	1,52	5,08	4,65	0,55	3,48	2,76	7,09	4,78	3,54	1,14	0,65	0,41	0,45	2,36	4,27	2,01	2,05	0,79	0,83	2,05	0,55	0,79	lb 8,99	
GPK3	25	MPa 35	mm 80	44	146	135	14	98	80	180	131	105	34,9	16,5	10,5	9	66,5	124	60	61,25	25	24	62	14	25	kg 5,883	GP300T53011A000
		Psi 5075	inch 3,15	1,73	5,75	5,31	0,55	3,86	3,15	7,09	5,16	4,13	1,37	0,65	0,41	0,35	2,62	4,88	2,36	2,41	0,98	0,94	2,44	0,55	0,98	lb 12,97	
GPK3	32	MPa 35	mm 106	58,8	184	165	14	124	100	300	124	124	39,7	19	13	11	79	147	78	74	32	28	74	17	32	kg 12,169	GP300T63011A000
		Psi 5075	inch 4,17	2,31	7,24	6,50	0,55	4,88	3,94	11,81	4,88	4,88	1,56	0,75	0,51	0,43	3,11	5,79	3,07	2,91	1,26	1,10	2,91	0,67	1,26	lb 26,83	
GPK3	40	MPa 35	mm 115	61,3	202	185	14	133,5	130	300	134	141	47,7	25	16,5	29	85	141	95	85	37	29	85	17	40	kg 18,624	GP300T73011A000
		Psi 5075	inch 4,53	2,41	7,95	7,28	0,55	5,26	5,12	11,81	5,28	5,55	1,88	0,98	0,65	1,14	3,35	5,55	3,74	3,35	1,46	1,14	3,35	0,67	1,57	lb 41,06	
GPK3	50	MPa 35	mm 129	72	257	240	14	147	150	300	147,5	174	59,8	31	21	38	106	174	112	106	48	38	106	17	48	kg 30,644	GP300T83011A000
		Psi 5075	inch 5,08	2,83	10,12	9,45	0,55	5,79	5,91	11,81	5,81	6,85	2,35	1,22	0,83	1,50	4,17	6,85	4,41	4,17	1,89	1,50	4,17	0,67	1,89	lb 67,56	





**DRILLING PATTERN FOR DN6 TO DN10**

DN		D1	E1	E2	E3	E4	E5	E6	E7	E9	M	O-RING
6	mm	6	35	34,5	48,5	0,5	9,5	13,5	20	17,5	M6	7,30 X 2,40
	inch	0,24	1,38	1,36	1,91	0,02	0,37	0,53	0,79	0,69		
10	mm	9,5	44	52,5	60	2,5	10	20	27,5	19	M8	9,92 X 2,62
	inch	0,37	1,73	2,07	2,36	0,10	0,39	0,79	1,08	0,75		



**DRILLING PATTERN FOR DN13 TO DN50**

DN		D1	E1	E2	E3	E4	E5	E6	E7	E8	E9	M	O-RING
13	mm	13	58	74,5	82	8,5	18	22,5	30	33	27	M8	20,64 X 2,62
	inch	0,51	2,28	2,93	3,23	0,33	0,71	0,89	1,18	1,30	1,06		
20	mm	20	69	87,5	97	9,5	21	25,5	35	39	31	M10	23,81 X 2,62
	inch	0,79	2,72	3,44	3,82	0,37	0,83	1,00	1,38	1,54	1,22		
25	mm	25	81	100	111	15	24	30	40	43	38	M10	31,42 X 2,62
	inch	0,98	3,19	3,94	4,37	0,59	0,94	1,18	1,57	1,69	1,50		
32	mm	32	96	119	137	17	28	39	50	51	46	M12	34,59 X 2,62
	inch	1,26	3,78	4,69	5,39	0,67	1,10	1,54	1,97	2,01	1,81		
40	mm	37	112	112	156	-	29	47,5	65	56	56	M16	42,52 X 2,62
	inch	1,46	4,41	4,41	6,14	-	1,14	1,87	2,56	2,20	2,20		
50	mm	48	136	136	202	-	38	56	75	68	68	M20	53,64 X 2,62
	inch	1,89	5,35	5,35	7,95	-	1,50	2,20	2,95	2,68	2,68		



# GRC

## 2-WAY HIGH PRESSURE BALL VALVES

Edition. 21.2

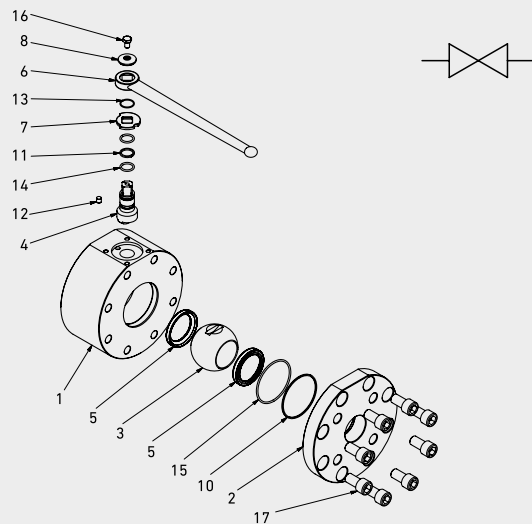
### CS Carbon Steel

- Type: ball valve 2 way
- Sizes: from DN25 up to DN125
- Ends: ISO6164 (CETOP)
- Pressure: up to PN420 / S6000
- Temp range: -20°C to +100°C
- Treatment: Galvanized

### SS Stainless Steel

- Type: ball valve 2 way
- Sizes: from DN25 up to DN125
- Ends: ISO6164 (CETOP)
- Pressure: up to PN420 / S6000
- Temp range: -30°C to +100°C

### STANDARD COMPOSITION OF VALVE



POS	DESCRIPTION	Q.TY	CS	SS
			Carbon Steel	Stainless Steel
			MATERIAL	
1	Body	1	1,0570	1,4404
2	Flange	1	1,0570	1,4404
3	Ball	1	1,0570	1,4404
4	Stem	1	1,4542	1,4542
5	Seat	2	POM	POM
6	Handle	1	1,0116	1,0116
7	Washer	1	1,0116	1,0116
8	Washer	1	1,0116	1,0116
9	Flange Back-Up	1	PTFE	PTFE
10	Stem Back-Up	1	PTFE	PTFE
11	Stem Ring	1	PTFE	PTFE
12	Pin	1	1,0737	1,4404
13	Flange o-ring	1	NBR	NBR
14	Stem o-ring	2	NBR	NBR
15	Seeger	1	1,4404	1,4404
16	T.C.E.I. Screw	8	DIN6921 8.8	ISO4762 A4
17	T.E. Screw	1	DIN6921 8.8	ISO4762 A4



CODE DESCRIPTION STRUCTURE

GRC	250	DN50	2	2	M	2	A	B
-----	-----	------	---	---	---	---	---	---

Type and way of valve

GRC 2-way

Ends

VALVE DIMENSION OF PRESSURE (PSI)

PN250  
PN350  
PN400

Size

from DN25 to DN125

Body Material

- 2 = 1,0570
- 4 = 1,4404

Adapter material

- 2 = 1,0570
- 4 = 1,4404

Stem material

- M = 1,4542
- M = 1,4542

Ball Material

- 2 = 1,0570 4 = 1,4404\*
- 4 = 1,4404

Seat material

A = POM D = PEEK\* G = PA612\* K = GEMPTFE\* C = PTFE\*

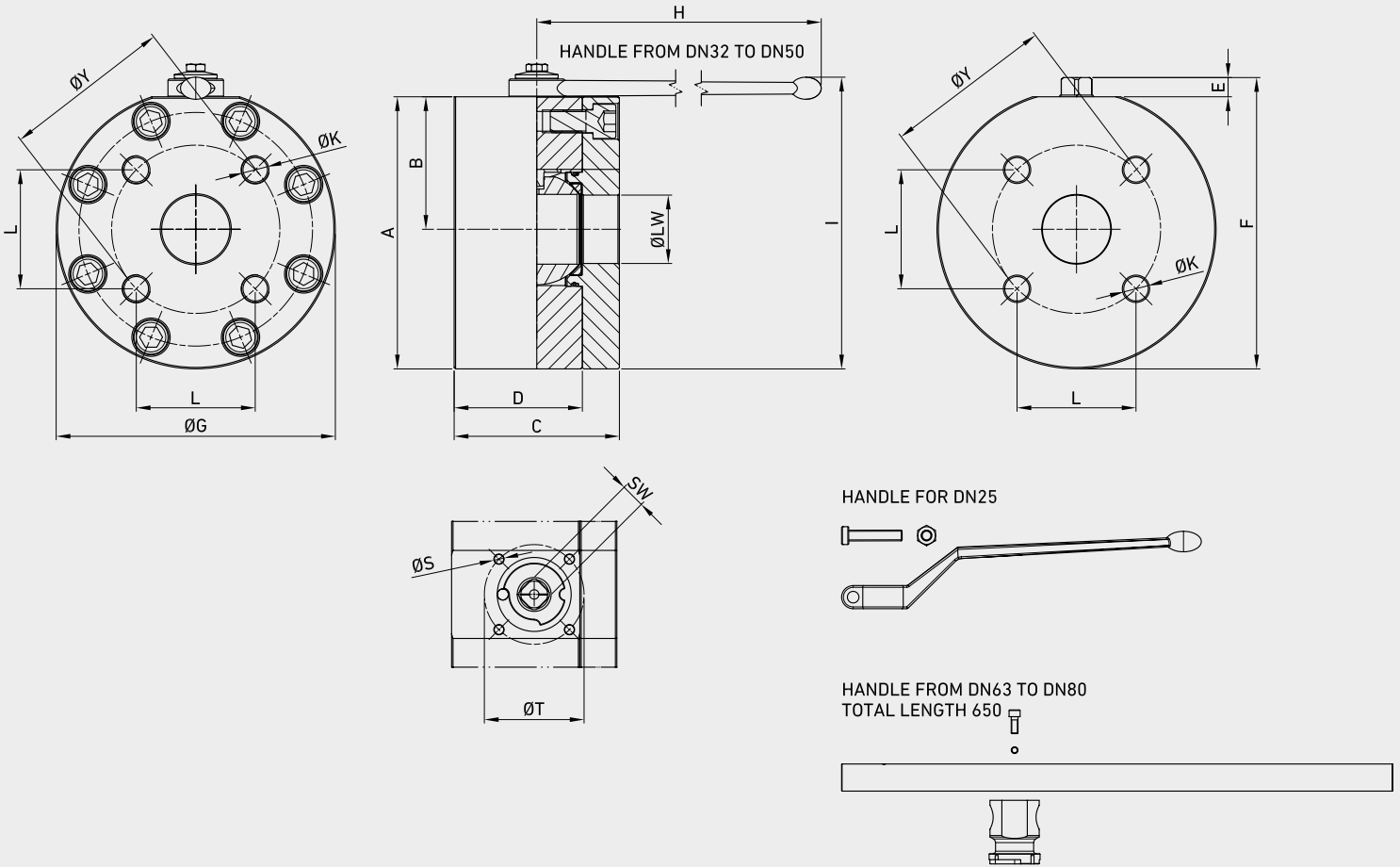
Seal material

B = NBR E = FKM\* F = EPDM\* L = MVQ\*

\*On request

- Reduced bore
- Special threads
- Pressure class up to PN40 Mpa
- Pneumatic and electrical actuator
- Locking device

For further special requests please consult our technical/commercial service.



**GRC CETOP250 ISO6164**

TYPE	DN	PN	A	B	C	D	E	F	$\varnothing G$	H	I	L	$\varnothing K$	$\varnothing T$	$\varnothing S$	$\varnothing Y$	ISO5211	SW	$\varnothing LW$	WEIGHT	CS	SS	
																					Carbon Steel	Stainless Steel	
																						ITEM CODE	
GRC250	25	MPa 25	mm 98,5	39,5	88	69	14	113	118	180	143	43,8	4x	50	M6	62	F05	14	25	kg 6,317	GR2CTT52022A000	GR2CTT52044A000	
		Psi 3625	inch 3,88	1,56	3,46	2,72	0,55	4,45	4,65	7,09	5,63	1,72	M10	1,97	M6	2,44		0,55	0,98	lb 13,93			
GRC250	32	MPa 25	mm 143,5	71	100	73	14	162	145	300	162	51,6	4x	50	M6	73	F05	17	32	kg 12,228	GR2CTT6202PA000	GR2CTT6204NA000	
		Psi 3625	inch 5,65	2,80	3,94	2,87	0,55	6,38	5,71	11,81	6,38	2,03	M12	1,97	M6	2,87		0,67	1,26	lb 26,96			
GRC250	38	MPa 25	mm 160	78	110	80	14	178,5	165	300	180	60,1	4x	50	M6	85	F05	17	38	kg 16,867	GR2CTT7202PA000	GR2CTT7204NA000	
		Psi 3625	inch 6,30	3,07	4,33	3,15	0,55	7,03	6,50	11,81	7,09	2,37	M16	1,97	M6	3,35		0,67	1,50	lb 37,19			
GRC250	51	MPa 25	mm 192	93	116	90	14	206	196	300	205	69,3	4x	70	M8	98	F07	17	47	kg 32,855	GR2CTT8202PA000	GR2CTT8204NA000	
		Psi 3625	inch 7,56	3,66	4,57	3,54	0,55	8,11	7,72	11,81	8,07	2,73	M16	2,76	M8	3,86		0,67	1,85	lb 72,43			
GRC250	56	MPa 25	mm 192	93	150	107	14	206	203	300	206	83,4	4x	70	M8	118	F07	17	58	kg 32,855	GR2CTT9202PA000	GR2CTT9204NA000	
		Psi 3625	inch 7,56	3,66	5,91	4,21	0,55	8,11	7,99	11,81	8,11	3,28	M20	2,76	M8	4,65		0,67	2,28	lb 72,43			
GRC250	63	MPa 25	mm 205	100	150	107	18	223	210	600	272	102,5	4x	70	M8	145	F07	19	70	kg 36,569	GR2CTTA202PA000	GR2CTTA204NA000	
		Psi 3625	inch 8,07	3,94	5,91	4,21	0,71	8,78	8,27	23,62	10,71	4,04	M20	2,76	M8	5,71		0,75	2,76	lb 80,62			
GRC250	100	MPa 25	mm 251	122	200	147	27	278	258	650	325	113,2	4xM24	102	M10	160,1	F10	24	90	kg 36,569	GR2CTTB202PA000	GR2CTTB204NA000	
		Psi 3625	inch 9,88	4,80	7,87	5,79	1,06	10,94	10,16	25,59	12,80	4,46		4,02	M10	6,30		0,94	3,54	lb 80,62			

**GRC CETOP350 ISO6164**

																				CS	SS	
																				Carbon Steel	Stainless Steel	
TYPE	DN	PN	A	B	C	D	E	F	ØG	H	I	L	ØK	ØT	ØS	ØY	ISO5211	SW	ØLW	WEIGHT	ITEM CODE	
GRC350	25	MPa 35	mm	102,5	39,5	88	69	14	117	118	180	143	50,9	4x 50	50	72	F05	14	25	kg 7,2	GR2CTT53022A000	GR2CTT53044A000
		Psi 5075	inch	4,04	1,56	3,46	2,72	0,55	4,61	4,65	7,09	5,63	2,00	M12	1,97	M6	2,83		0,55	0,98	lb 15,87	
GRC350	32	MPa 35	mm	141	68	105	75,5	14	158	145	300	162	56,6	4x 50	50	80	F05	17	32	kg 12,5	GR2CTT6302PA000	GR2CTT6304NA000
		Psi 5075	inch	5,55	2,68	4,13	2,97	0,55	6,22	5,71	11,81	6,38	2,23	M16	1,97	M6	3,15		0,67	1,26	lb 27,56	
GRC350	40	MPa 35	mm	161	78	110	80	14	178	165	300	180	69,5	4x 50	50	98	F05	17	38	kg 16,6	GR2CTT7302PA000	GR2CTT7304NA000
		Psi 5075	inch	6,34	3,07	4,33	3,15	0,55	7,01	6,50	11,81	7,09	2,74	M16	1,97	M6	3,86		0,67	1,50	lb 36,60	
GRC350	50	MPa 35	mm	193	94	116	90	14	210	196	300	205	83,5	4x 70	70	118	F07	17	48	kg 25	GR2CTT8302PA000	GR2CTT8304NA000
		Psi 5075	inch	7,60	3,70	4,57	3,54	0,55	8,27	7,72	11,81	8,07	3,29	M20	2,76	M8	4,65		0,67	1,89	lb 55,12	
GRC350	65	MPa 35	mm	204	100	150	107	21	224	208	600	272	102,5	4x 70	70	145	F07	19	63	kg 44	GR2CTT9302PA000	GR2CTT9304NA000
		Psi 5075	inch	8,03	3,94	5,91	4,21	0,83	8,82	8,19	23,62	10,71	4,04	M24	2,76	M8	5,71		0,75	2,48	lb 97,00	
GRC350	80	MPa 35	mm	208	100	150	107	22	233,5	215	600	280	123,7	4x 70	70	175	F07	19	75	kg 45	GR2CTTA302PA000	GR2CTTA304NA000
		Psi 5075	inch	8,19	3,94	5,91	4,21	0,87	9,19	8,46	23,62	11,02	4,87	M30	2,76	M8	6,89		0,75	2,95	lb 99,21	
GRC350	100	MPa 35	mm	251	122	200	147	26,5	277	258	600	326	141,5	8x 102	102	200	F10	24	95	kg 70	GR2CTTB302PA000	GR2CTTB304NA000
		Psi 5075	inch	9,88	4,80	7,87	5,79	1,04	10,91	10,16	23,62	12,83	5,57	M24	4,02	M10	7,87		0,94	3,74	lb 154,32	
GRC350	125	MPa 35	mm	303	148	220	170	32	330	310	900	389	-	8x 125	125	245	F12	36	118	kg 109	GR2CTTC302PA000	GR2CTTC304NA000
		Psi 5075	inch	11,93	5,83	8,66	6,69	1,26	12,99	12,20	35,43	15,31	-	M30	4,92	M12	9,65		1,42	4,65	lb 240,30	

**GRC CETOP400 ISO6164**

																				CS	SS	
																				Carbon Steel	Stainless Steel	
TYPE	DN	PN	A	B	C	D	E	F	ØG	H	I	L	ØK	ØT	ØS	ØY	ISO5211	SW	ØLW	WEIGHT	ITEM CODE	
GRC400	25	MPa 40	mm	98,5	39,5	88	69	14	113	118	180	143	43,8	4x 50	50	62	F05	14	25	kg 6,317	GR2CTT54022A000	GR2CTT54044A000
		Psi 5800	inch	3,88	1,56	3,46	2,72	0,55	4,45	4,65	7,09	5,63	1,72	M10	1,97	M6	2,44		0,55	0,98	lb 13,93	
GRC400	32	MPa 40	mm	143,5	71	100	73	14	162	145	300	162	51,6	4x 50	50	73	F05	17	32	kg 12,228	GR2CTT6402PA000	GR2CTT6404NA000
		Psi 5800	inch	5,65	2,80	3,94	2,87	0,55	6,38	5,71	11,81	6,38	2,03	M12	1,97	M6	2,87		0,67	1,26	lb 26,96	
GRC400	38	MPa 40	mm	160	78	110	80	14	178,5	165	300	180	60,1	4x 50	50	85	F05	17	38	kg 16,867	GR2CTT7402PA000	GR2CTT7404NA000
		Psi 5800	inch	6,30	3,07	4,33	3,15	0,55	7,03	6,50	11,81	7,09	2,37	M16	1,97	M6	3,35		0,67	1,50	lb 37,19	
GRC400	51	MPa 40	mm	192	93	116	90	14	206	196	300	205	69,3	4x 70	70	98	F07	17	47	kg 32,855	GR2CTT8402PA000	GR2CTT8404NA000
		Psi 5800	inch	7,56	3,66	4,57	3,54	0,55	8,11	7,72	11,81	8,07	2,73	M16	2,76	M8	3,86		0,67	1,85	lb 72,43	
GRC400	56	MPa 40	mm	192	93	150	107	14	206	203	300	208	83,4	4x 70	70	118	F07	17	58	kg 32,855	GR2CTT9402PA000	GR2CTT9404NA000
		Psi 5800	inch	7,56	3,66	5,91	4,21	0,55	8,11	7,99	11,81	8,19	3,28	M20	2,76	M8	4,65		0,67	2,28	lb 72,43	
GRC400	63	MPa 40	mm	205	100	150	107	18	223	210	600	272	102,5	4x 70	70	145	F07	19	70	kg 36,569	GR2CTTA402PA000	GR2CTTA404NA000
		Psi 5800	inch	8,07	3,94	5,91	4,21	0,71	8,78	8,27	23,62	10,71	4,04	M24	2,76	M8	5,71		0,75	2,76	lb 80,62	
GRC400	80	MPa 40	mm	251	122	170	132	26,5	278	258	600	326	123,7	4x 102	102	175	F10	24	74	kg 65,411	GR2CTTB402PA000	GR2CTTB404NA000
		Psi 5800	inch	9,88	4,80	6,69	5,20	1,04	10,94	10,16	23,62	12,83	4,87	M30	4,02	M10	6,89		0,94	2,91	lb 144,21	



# GRS

## 2-WAY HIGH PRESSURE BALL VALVES

Edition. 21.3

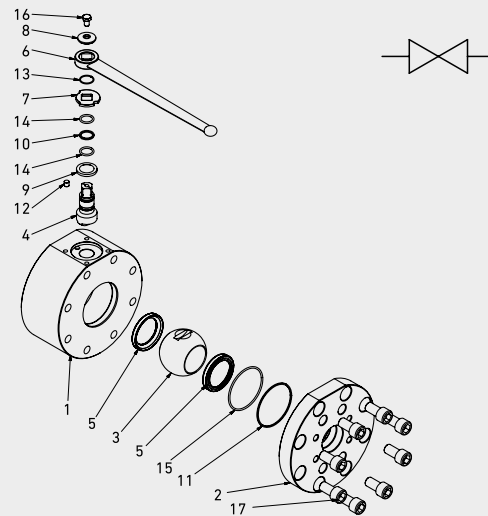
### CS Carbon Steel

- Type: ball valve 2 way
- Sizes: from DN13 up to DN125
- Ends: ISO6162-1 / ISO6162 (SAE J518)
- Pressure: up to PN420 / S6000
- Temp range: -20°C to +100°C
- Treatment: Galvanized

### SS Stainless Steel

- Type: ball valve 2 way
- Sizes: from DN13 up to DN125
- Ends: ISO6162-1 / ISO6162 (SAE J518)
- Pressure: up to PN420 / S6000
- Temp range: -30°C to +100°C

### STANDARD COMPOSITION OF VALVE



POS	DESCRIPTION	Q.TY	CS	SS
			Carbon Steel	Stainless Steel
			MATERIAL	
1	Body	1	1,0570	1,4404
2	Flange	1	1,0570	1,4404
3	Ball	1	1,0570	1,4404
4	Stem	1	1,4542	1,4542
5	Seat	2	POM	POM
6	Handle	1	1,0116	1,0116
7	Washer	1	1,0116	1,0116
8	Washer	1	1,0116	1,0116
9	Flange Back-Up	1	PTFE	PTFE
10	Stem Back-Up	1	PTFE	PTFE
11	Stem Ring	1	PTFE	PTFE
12	Pin	1	1,0737	1,4404
13	Flange o-ring	1	NBR	NBR
14	Stem o-ring	2	NBR	NBR
15	Seeger	1	1,4404	1,4404
16	T.C.E.I. Screw	8	DIN6921 8.8	ISO4762 A4
17	T.E. Screw	1	DIN6921 8.8	ISO4762 A4



## CODE DESCRIPTION STRUCTURE

**GR S3 DN50 2 2 M 2 A B**

**Type and way of valve**

GRS 2-way

**Ends**

**VALVE DIMENSION OF PRESSURE (PSI)**

S3 S6  
S3000 S6000

**Size**

from DN13 to DN125

**Body Material**

- 2 = 1,0570
- 4 = 1,4404

**Adapter material**

- 2 = 1,0570
- 4 = 1,4404

**Stem material**

- M = 1,4542
- M = 1,4542

**Ball Material**

- 2 = 1,0570 4 = 1,4404\*
- 4 = 1,4404

**Seat material**

A = POM D = PEEK\* G = PA612\* K = GEMPTFE\* C = PTFE\*

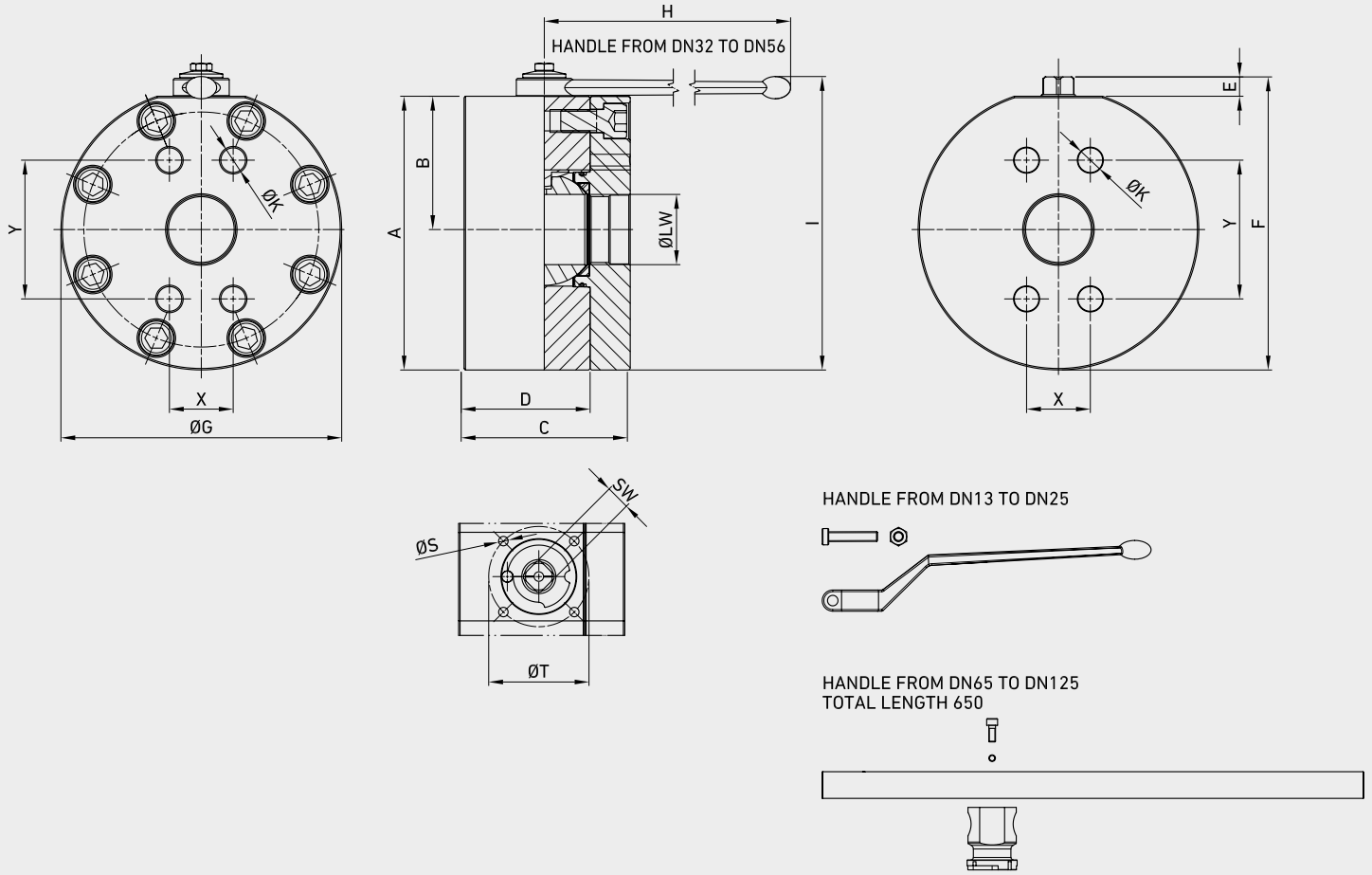
**Seal material**

B = NBR E = FKM\* F = EPDM\* L = MVQ\*

**\*On request**

- Reduced bore
- Special threads
- Pressure class up to PN40 Mpa
- Pneumatic and electrical actuator
- Locking device

*For further special requests please consult our technical/commercial service.*





**GRS SAE J518 S3000**

TYPE	DN	PN	A	B	C	D	E	F	ØG	H	I	ØK	ØT	ØS	X	Y	ISO5211	SW	ØLW	WEIGHT	CS	SS	
																					Carbon Steel	Stainless Steel	
																						ITEM CODE	
GRS3	13	MPa 21	mm 67	28	75	58	11	78,3	78	110	121	M8	36	M5	17,5	38,1	F03	9	13	kg 2,405	GR2FFT3F022A000	GR2FFT3F044A000	
		Psi 3045	inch 2,64	1,10	2,95	2,28	0,43	3,08	3,07	4,33	4,76		1,42		0,69	1,50		0,35	0,51	lb 5,30			
GRS3	20	MPa 21	mm 85,5	36,5	80	60	14	100	103	180	132	M10	50	M6	22,2	47,6	F05	14	20	kg 3,902	GR2FFT4F022A000	GR2FFT4F044A000	
		Psi 3045	inch 3,37	1,44	3,15	2,36	0,55	3,94	4,06	7,09	5,20		1,97		0,87	1,87		0,55	0,79	lb 8,60			
GRS3	25	MPa 21	mm 98,5	39,5	88	69	14	113	118	180	142	M10	50	M6	26,2	52,4	F05	14	25	kg 6,317	GR2FFT5F022A000	GR2FFT5F044A000	
		Psi 3045	inch 3,88	1,56	3,46	2,72	0,55	4,45	4,65	7,09	5,59		1,97		1,03	2,06		0,55	0,98	lb 13,93			
GRS3	32	MPa 21	mm 143,5	70,9	100	73	14	162	145	300	163	M10	50	M6	30,2	58,7	F05	17	32	kg 12,228	GR2FFT6F02PA000	GR2FFT6F04NA000	
		Psi 3045	inch 5,65	2,79	3,94	2,87	0,55	6,38	5,71	11,81	6,42		1,97		1,19	2,31		0,67	1,26	lb 26,96			
GRS3	40	MPa 21	mm 160	78	110	80	14	178,5	165	300	180	M12	50	M6	35,7	69,8	F05	17	38	kg 16,867	GR2FFT7F02PA000	GR2FFT7F04NA000	
		Psi 3045	inch 6,30	3,07	4,33	3,15	0,55	7,03	6,50	11,81	7,09		1,97		1,41	2,75		0,67	1,50	lb 37,19			
GRS3	50	MPa 21	mm 192	93	116	90	14	205,5	196	300	205	M12	70	M8	42,9	77,8	F07	17	48	kg 25,606	GR2FFT8F02PA000	GR2FFT8F04NA000	
		Psi 3045	inch 7,56	3,66	4,57	3,54	0,55	8,09	7,72	11,81	8,07		2,76		1,69	3,06		0,67	1,89	lb 56,45			
GRS3	65	MPa 17,5	mm 198	93	150	107	20,5	212	203	600	266	M12	70	M8	50,8	88,9	F07	19	63	kg 32,717	GR2FFT9F02PA000	GR2FFT9F04NA000	
		Psi 2537,5	inch 7,80	3,66	5,91	4,21	0,81	8,35	7,99	23,6	10,47		2,76		2,00	3,50		0,75	2,48	lb 72,13			
GRS3	80	MPa 16	mm 205	100	150	107	22	227,5	210	600	277	M16	70	M8	61,9	106,4	F07	19	73	kg 36,413	GR2FFTA02PA000	GR2FFTA04NA000	
		Psi 2320	inch 8,07	3,94	5,91	4,21	0,87	8,96	8,27	23,6	10,91		2,76		2,44	4,19		0,75	2,87	lb 80,28			
GRS3	100	MPa 3,5	mm 251	122	170	132	27	278	258	600	326	M16	102	M10	77,9	130,2	F10	24	95	kg 61,273	GR2FFTB02PA000	GR2FFTB04NA000	
		Psi 507,5	inch 9,88	4,80	6,69	5,20	1,06	10,9	10,2	23,6	12,83		4,02		3,07	5,13		0,94	3,74	lb 135,08			
GRS3	125	MPa 3,5	mm 288	140	210	160	35	322	310	600	389	M16	125	M12	92,1	152,4	F12	36	115	kg 98,048	GR2FFTC02PA000	GR2FFTC04NA000	
		Psi 507,5	inch 11,3	5,51	8,27	6,30	1,38	12,7	12,2	23,6	15,31		4,92		3,63	6,00		1,42	4,53	lb 216,16			

GRS SAE J518 S3000 UNC

																				CS	SS	
																				Carbon Steel	Stainless Steel	
TYPE	DN	PN	A	B	C	D	E	F	ØG	H	I	ØK	ØT	ØS	X	Y	ISO5211	SW	ØLW	WEIGHT	ITEM CODE	
GRS3	13	MPa 21	mm 67	28	75	58	11	78,3	78	110	121	5/16	36	M5	17,5	38,1	F03	9	13	kg 2,405	GR2FUT3F022A000	GR2FUT3F044A000
		Psi 3045	inch 2,64	1,10	2,95	2,28	0,43	3,08	3,07	4,33	4,76	UNC 1,42				0,69		1,50	0,35	0,51		
GRS3	20	MPa 21	mm 85,5	36,5	80	60	14	100	103	180	132	3/8	50	M6	22,2	47,6	F05	14	20	kg 3,902	GR2FUT4F022A000	GR2FUT4F044A000
		Psi 3045	inch 3,37	1,44	3,15	2,36	0,55	3,94	4,06	7,09	5,20	UNC 1,97				0,87		1,87	0,55	0,79		
GRS3	25	MPa 21	mm 98,5	39,5	88	69	14	113	118	180	142	3/8	50	M6	26,2	52,4	F05	14	25	kg 6,317	GR2FUT5F022A000	GR2FUT5F044A000
		Psi 3045	inch 3,88	1,56	3,46	2,72	0,55	4,45	4,65	7,09	5,59	UNC 1,97				1,03		2,06	0,55	0,98		
GRS3	32	MPa 21	mm 143,5	70,9	100	73	14	162	145	300	163	7/16	50	M6	30,2	58,7	F05	17	32	kg 12,228	GR2FUT6F022A000	GR2FUT6F044A000
		Psi 3045	inch 5,65	2,79	3,94	2,87	0,55	6,38	5,71	11,8	6,42	UNC 1,97				1,19		2,31	0,67	1,26		
GRS3	40	MPa 21	mm 160	78	110	80	14	178,5	165	300	180	1/2	50	M6	35,7	69,8	F05	17	38	kg 16,867	GR2FUT7F022A000	GR2FUT7F044A000
		Psi 3045	inch 6,30	3,07	4,33	3,15	0,55	7,03	6,50	11,8	7,09	UNC 1,97				1,41		2,75	0,67	1,50		
GRS3	50	MPa 21	mm 192	93	116	90	14	205,5	196	300	205	1/2	70	M8	42,9	77,8	F07	17	48	kg 25,606	GR2FUT8F022A000	GR2FUT8F044A000
		Psi 3045	inch 7,56	3,66	4,57	3,54	0,55	8,09	7,72	11,8	8,07	UNC 2,76				1,69		3,06	0,67	1,89		
GRS3	65	MPa 17,5	mm 198	93	150	107	20,5	212	203	600	266	1/2	70	M8	50,8	88,9	F07	19	63	kg 32,717	GR2FUT9F022A000	GR2FUT9F044A000
		Psi 2537,5	inch 7,80	3,66	5,91	4,21	0,81	8,35	7,99	23,2	10,47	UNC 2,76				2,00		3,50	0,75	2,48		
GRS3	80	MPa 16	mm 205	100	150	107	22	227,5	210	600	277	5/8	70	M8	61,9	106,4	F07	19	73	kg 36,413	GR2FUTAF022A000	GR2FUTAF044A000
		Psi 2320	inch 8,07	3,94	5,91	4,21	0,87	8,96	8,27	23,6	10,91	UNC 2,76				2,44		4,19	0,75	2,87		
GRS3	100	MPa 3,5	mm 251	122	170	132	27	278	258	600	326	5/8	102	M10	77,9	130,2	F10	24	95	kg 61,273	GR2FUTBF022A000	GR2FUTBF044A000
		Psi 507,5	inch 9,88	4,80	6,69	5,20	1,06	10,9	10,2	23,6	12,83	UNC 4,02				3,07		5,13	0,94	3,74		
GRS3	125	MPa 3,5	mm 288	140	210	160	35	322	310	600	389	5/8	125	M12	92,1	152,4	F12	36	115	kg 98,048	GR2FUTCF022A000	GR2FUTCF044A000
		Psi 507,5	inch 11,4	5,51	8,27	6,30	1,38	12,6	12,2	23,6	15,31	UNC 4,92				3,63		6,00	1,42	4,53		

**GRS SAE J518 S6000**

																				CS	SS	
																				Carbon Steel	Stainless Steel	
TYPE	DN	PN	A	B	C	D	E	F	ØG	H	I	ØK	ØT	ØS	X	Y	ISO5211	SW	ØLW	WEIGHT	ITEM CODE	
GRS6	13	MPa 42	mm 67	28	75	58	11	78,3	78	110	121	M8	36	M5	18,2	40,5	F03	9	13	kg 2,405	GR2FFT3G022A000	GR2FFT3G044A000
		Psi 6090	inch 2,64	1,10	2,95	2,28	0,43	3,08	3,07	4,33	4,76		1,42		0,72	1,59		0,35	0,51	lb 5,30		
GRS6	20	MPa 42	mm 85,5	36,5	80	60	14	100	103	180	132	M10	50	M6	23,8	50,8	F05	14	20	kg 3,902	GR2FFT4G022A000	GR2FFT4G044A000
		Psi 6090	inch 3,37	1,44	3,15	2,36	0,55	3,94	4,06	7,09	5,20		1,97		0,94	2,00		0,55	0,79	lb 8,60		
GRS6	25	MPa 42	mm 98,5	39,5	88	69	14	113	118	180	142	M12	50	M6	27,8	57,2	F05	14	25	kg 6,317	GR2FFT5G022A000	GR2FFT5G044A000
		Psi 6090	inch 3,88	1,56	3,46	2,72	0,55	4,45	4,65	7,09	5,59		1,97		1,09	2,25		0,55	0,98	lb 13,93		
GRS6	32	MPa 42	mm 143,5	70,9	100	73	14	162	145	300	163	M12	50	M6	31,8	66,7	F05	17	32	kg 12,228	GR2FFT6G022A000	GR2FFT6G044A000
		Psi 6090	inch 5,65	2,79	3,94	2,87	0,55	6,38	5,71	11,8	6,42		1,97		1,25	2,63		0,67	1,26	lb 26,96		
GRS6	40	MPa 42	mm 160	78	110	80	14	178,5	165	300	180	M16	50	M6	36,5	79,4	F05	17	38	kg 16,867	GR2FFT7G022A000	GR2FFT7G044A000
		Psi 6090	inch 6,30	3,07	4,33	3,15	0,55	7,03	6,50	11,8	7,09		1,97		1,44	3,13		0,67	1,50	lb 37,19		
GRS6	50	MPa 42	mm 192	93	116	90	14	205,5	196	300	205	M20	70	M8	44,5	96,8	F07	17	48	kg 25,606	GR2FFT8G022A000	GR2FFT8G044A000
		Psi 6090	inch 7,56	3,66	4,57	3,54	0,55	8,09	7,72	11,8	8,07		2,76		1,75	3,81		0,67	1,89	lb 56,45		

**GRS SAE J518 S6000 UNC**

																				CS	SS	
																				Carbon Steel	Stainless Steel	
TYPE	DN	PN	A	B	C	D	E	F	ØG	H	I	ØK	ØT	ØS	X	Y	ISO5211	SW	ØLW	WEIGHT	ITEM CODE	
GRS6	13	MPa 42	mm 67	28	75	58	11	78,3	78	110	121	5/16	36	M5	18,2	40,5	F03	9	13	kg 2,405	GR2FUT3G022A000	GR2FUT3G044A000
		Psi 6090	inch 2,64	1,10	2,95	2,28	0,43	3,08	3,07	4,33	4,76	UNC	1,42		0,72	1,59		0,35	0,51	lb 5,30		
GRS6	20	MPa 42	mm 85,5	36,5	80	60	14	100	103	180	132	3/8	50	M6	23,8	50,8	F05	14	20	kg 3,902	GR2FUT4G022A000	GR2FUT4G044A000
		Psi 6090	inch 3,37	1,44	3,15	2,36	0,55	3,94	4,06	7,09	5,20	UNC	1,97		0,94	2,00		0,55	0,79	lb 8,60		
GRS6	25	MPa 42	mm 98,5	39,5	88	69	14	113	118	180	152	7/16	50	M6	27,8	57,2	F05	14	25	kg 6,317	GR2FUT5G022A000	GR2FUT5G044A000
		Psi 6090	inch 3,88	1,56	3,46	2,72	0,55	4,45	4,65	7,09	5,98	UNC	1,97		1,09	2,25		0,55	0,98	lb 13,93		
GRS6	32	MPa 42	mm 143,5	70,9	100	73	14	162	145	300	163	1/2	50	M6	31,8	66,7	F05	17	32	kg 12,228	GR2FUT6G022A000	GR2FUT6G044A000
		Psi 6090	inch 5,65	2,79	3,94	2,87	0,55	6,38	5,71	11,81	6,42	UNC	1,97		1,25	2,63		0,67	1,26	lb 26,96		
GRS6	40	MPa 42	mm 160	78	110	80	14	178,5	165	300	180	5/8	50	M6	36,5	79,4	F05	17	38	kg 16,867	GR2FUT7G022A000	GR2FUT7G044A000
		Psi 6090	inch 6,30	3,07	4,33	3,15	0,55	7,03	6,50	11,81	7,09	UNC	1,97		1,44	3,13		0,67	1,50	lb 37,19		
GRS6	50	MPa 42	mm 192	93	116	90	14	205,5	196	300	205	3/4	70	M8	44,5	96,8	F07	17	48	kg 25,606	GR2FUT8G022A000	GR2FUT8G044A000
		Psi 6090	inch 7,56	3,66	4,57	3,54	0,55	8,09	7,72	11,81	8,07	UNC	2,76		1,75	3,81		0,67	1,89	lb 56,45		



# GHP

## 2-WAY HIGH PRESSURE BALL VALVES

Edition. 21.1

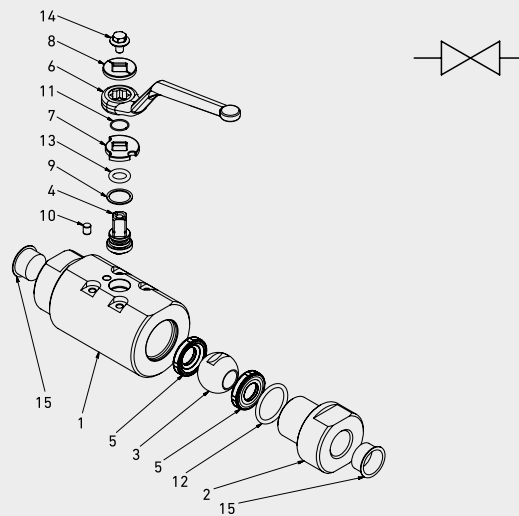
### CS Carbon Steel

- Type: ball valve 2 way
- Sizes: from DN13 up to DN100
- Ends: BSP-NPT
- Pressure: up to PN370
- Temp range: from -20°C to +100°C
- Treatment: Galvanized

### SS Stainless Steel

- Type: ball valve 2 way
- Sizes: from DN13 up to DN100
- Ends: BSP-NPT
- Pressure: up to PN370
- Temp range: from -30°C to +100°C

### STANDARD COMPOSITION OF VALVE



POS	DESCRIPTION	Q.TY	CS	SS
			Carbon Steel	Stainless Steel
			MATERIAL	
1	Body	1	1,0570	1,4404
2	Adapter	1	1,0570	1,4404
3	Ball	1	1,4404	1,4404
4	Stem	1	1,4404	1,4404
5	Ball seat	2	POM	POM
6	Handle	1	ZINC	ZINC
7	Washer	1	1,0116	1,4404
8	Washer	1	1,0116	1,4404
9	Stem ring	1	POM	POM
10	Pin	1	1,0737	1,4404
11	Seeger	1	1,4404	1,4404
12	Adapter o-ring	1	NBR	NBR
13	Stem o-ring	1	NBR	NBR
14	Screw	1	Din 6921 8.8	Din 6921 A4
15	Caps	2	PVC	PVC



**CODE DESCRIPTION STRUCTURE**

<b>GHP</b>	<b>G1 1/2</b>	<b>DN13</b>	<b>2</b>	<b>2</b>	<b>4</b>	<b>4</b>	<b>A</b>	<b>B</b>
------------	---------------	-------------	----------	----------	----------	----------	----------	----------

**Type and way of valve**

GHP 2-way

**Ends**

GAS DIN/ ISO 228 /ASME  
NPT ANSI /ASME  
BSP B1.20.1

G 1/2	N 1/2
G 3/4	N 3/4
G 1	N 1
G 1 1/4	N 1 1/4
G 1 1/2	N 1 1/2
G 2	N 2
G 2 1/2	N 2 1/2
G 3	N 3
G 4	N 4

**Size**

from DN13 to DN100

**Body Material**

- 2 = 1,0570
- 4 = 1,4404

**Adapter material**

- 2 = 1,0570
- 4 = 1,4404

**Stem material**

- 4 = 1,4404 M = 1,4542
- 4 = 1,4404 M = 1,4542

**Ball Material**

- 4 = 1,4404
- 4 = 1,4404

**Seat material**

A = POM D = PEEK\* G = PA612\* K = GEMPTFE\* C = PTFE\*

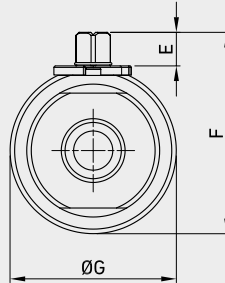
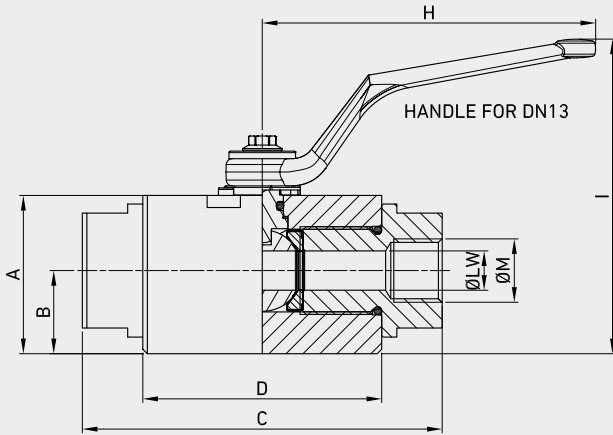
**Seal material**

B = NBR E = FKM\* F = EPDM\* L = MVQ\*

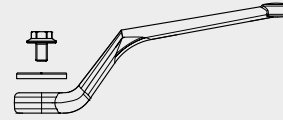
**\*On request**

- Reduced bore
- Special threads
- Pressure class up to PN42 MPa
- Pneumatic and electrical actuator
- Security block
- Locking device

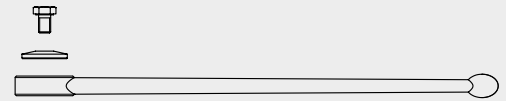
*For further special requests please consult our technical/commercial service.*



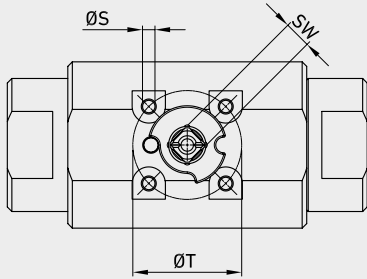
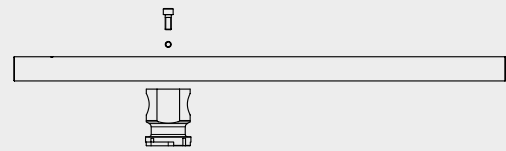
HANDLE FROM DN20 TO DN25



HANDLE FROM DN32 TO DN50



HANDLE FROM DN65 TO DN100  
TOTAL LENGTH 650



GHP DIN/ISO 228 BSP

TYPE	DN	PN	A	B	C	D	E	F	ØG	H	I	ØM	ØS	ØT	ISO5211	SW	ØLW	WEIGHT	CS	SS	
																			Carbon Steel	Stainless Steel	
																				ITEM CODE	
GHP G 1/2	13	MPa 37	mm 53	27,5	119	79	11	66,5	55	110	102,5	G	M5	36	F03	9	13	kg 1,81	GH2GGT3H024A000	GH2GGT3H044A000	
		Psi 5365	inch 2,09	1,08	4,69	3,11	0,43	2,62	2,17	4,33	4,04	1/2	M5	1,42	F03	0,35	0,51	lb 3,99			
GHP G 3/4	20	MPa 37	mm 70	38,5	149	99	14	88,6	77	180	118	G	M6	50	F05	14	20	kg 4,378	GH2GGT4H024A000	GH2GGT4H044A000	
		Psi 5365	inch 2,76	1,52	5,87	3,90	0,55	3,49	3,03	7,09	4,65	3/4	M6	1,97	F05	0,55	0,79	lb 9,65			
GHP G 1	25	MPa 37	mm 80,5	45	168	105	14	99	90	180	129	G 1	M6	50	F05	14	25	kg 6,219	GH2GGT5H024A000	GH2GGT5H044A000	
		Psi 5365	inch 3,17	1,77	6,61	4,13	0,55	3,90	3,54	7,09	5,08	G 1	M6	1,97	F05	0,55	0,98	lb 13,71			
GHP G 1 1/4	32	MPa 37	mm 95	48,5	156	106	14	113	97	300	112	G 1	M6	50	F05	17	32	kg 6,74	GH2GGT6H024A000	GH2GGT6H044A000	
		Psi 5365	inch 3,74	1,91	6,14	4,17	0,55	4,45	3,82	11,81	4,41	1/4	M6	1,97	F05	0,67	1,26	lb 14,86			
GHP G 1 1/2	40	MPa 37	mm 111,5	58	166,5	110,5	14	130	116	300	128	G 1	M6	50	F05	17	40	kg 10	GH2GGT7H024A000	GH2GGT7H044A000	
		Psi 5365	inch 4,39	2,28	6,56	4,35	0,55	5,12	4,57	11,81	5,04	1/2	M6	1,97	F05	0,67	1,57	lb 22,05			
GHP G 2	50	MPa 37	mm 118,5	61,5	175	115	14	137	123	300	137	G 2	M6	50	F05	17	49	kg 11,169	GH2GGT8H024A000	GH2GGT8H044A000	
		Psi 5365	inch 4,67	2,42	6,89	4,53	0,55	5,39	4,84	11,81	5,39	G 2	M6	1,97	F05	0,67	1,93	lb 24,62			
GHP G 2 1/2	65	MPa 37	mm 184,5	93,5	211,5	131,5	30,5	223,5	187	600	280	G 2	M10	102	F10	24	63	kg 36,5	GH2GGT9H02NA000	GH2GGT9H04NA000	
		Psi 5365	inch 7,26	3,68	8,33	5,18	1,20	8,80	7,36	23,62	11,02	1/2	M10	4,02	F10	0,94	2,48	lb 80,47			
GHP G 3	80	MPa 37	mm 200	102	239	162,5	30,5	239	204	600	294	G 3	M10	102	F10	24	74	kg 46,5	GH2GGTAH02NA000	GH2GGTAH04NA000	
		Psi 5365	inch 7,87	4,02	9,41	6,40	1,20	9,41	8,03	23,62	11,57	G 3	M10	4,02	F10	0,94	2,91	lb 102,51			
GHP G 4	100	MPa 37	mm 236	120	295,5	218	31	268,5	240	450	316,5	G 4	M10	102	F10	24	95	kg 77	GH2GGTBH02NA000	GH2GGTBH04NA000	
		Psi 5365	inch 9,29	4,72	11,63	8,58	1,22	10,57	9,45	17,72	12,46	G 4	M10	4,02	F10	0,94	3,74	lb 169,76			

**GHP ANSI-ASME B1.20.1 NPT**

																		CS Carbon Steel	SS Stainless Steel	
																		ITEM CODE		
TYPE	DN	PN	A	B	C	D	E	F	ØG	H	I	ØM	ØS	ØT	ISO5211	SW	ØLW	WEIGHT		
GHP N 1/2	13	MPa 37	mm 53	27,5	119	79	11	66,5	55	110	102,5	N	M5	36	F03	9	13	kg 1,81	GH2NNT3H024A000	GH2NNT3H044A000
		Psi 5365	inch 2,09	1,08	4,69	3,11	0,43	2,62	2,17	4,33	4,04	1/2	M5	1,42	F03	0,35	0,51	lb 3,99		
GHP N 3/4	20	MPa 37	mm 70	38,5	149	99	14	88,6	77	180	118	N	M6	50	F05	14	20	kg 4,378	GH2NNT4H024A000	GH2NNT4H044A000
		Psi 5365	inch 2,76	1,52	5,87	3,90	0,55	3,49	3,03	7,09	4,65	3/4	M6	1,97	F05	0,55	0,79	lb 9,65		
GHP N 1	25	MPa 37	mm 80,5	45	168	105	14	99	90	180	129	N 1	M6	50	F05	14	25	kg 6,219	GH2NNT5H024A000	GH2NNT5H044A000
		Psi 5365	inch 3,17	1,77	6,61	4,13	0,55	3,90	3,54	7,09	5,08	N 1	M6	1,97	F05	0,55	0,98	lb 13,71		
GHP N 1 1/4	32	MPa 37	mm 95	48,5	156	106	14	113	97	300	112	N 1	M6	50	F05	17	32	kg 6,74	GH2NNT6H024A000	GH2NNT6H044A000
		Psi 5365	inch 3,74	1,91	6,14	4,17	0,55	4,45	3,82	11,81	4,41	1/4	M6	1,97	F05	0,67	1,26	lb 14,86		
GHP N 1 1/2	40	MPa 37	mm 111,5	58	166,5	110,5	14	130	116	300	128	N 1	M6	50	F05	17	40	kg 10	GH2NNT7H024A000	GH2NNT7H044A000
		Psi 5365	inch 4,39	2,28	6,56	4,35	0,55	5,12	4,57	11,81	5,04	1/2	M6	1,97	F05	0,67	1,57	lb 22,05		
GHP N 2	50	MPa 37	mm 118,5	61,5	175	115	14	137	123	300	137	N 2	M6	50	F05	17	49	kg 11,169	GH2NNT8H024A000	GH2NNT8H044A000
		Psi 5365	inch 4,67	2,42	6,89	4,53	0,55	5,39	4,84	11,81	5,39	N 2	M6	1,97	F05	0,67	1,93	lb 24,62		
GHP N 2 1/2	65	MPa 37	mm 184,5	93,5	211,5	131,5	30,5	223,5	187	600	280	N 2	M10	102	F10	24	63	kg 36,5	GH2NNT9H02NA000	GH2NNT9H04NA000
		Psi 5365	inch 7,26	3,68	8,33	5,18	1,20	8,80	7,36	23,62	11,02	1/2	M10	4,02	F10	0,94	2,48	lb 80,47		
GHP N 3	80	MPa 37	mm 200	102	239	162,5	30,5	239	204	600	294	N 3	M10	102	F10	24	74	kg 46,5	GH2NNTAH02NA000	GH2NNTAH04NA000
		Psi 5365	inch 7,87	4,02	9,41	6,40	1,20	9,41	8,03	23,62	11,57	N 3	M10	4,02	F10	0,94	2,91	lb 102,51		
GHP N 4	100	MPa 37	mm 236	120	295,5	218	31	268,5	240	450	316,5	N 4	M10	102	F10	24	95	kg 77	GH2NNTBH02NA000	GH2NNTBH04NA000
		Psi 5365	inch 9,29	4,72	11,63	8,58	1,22	10,57	9,45	17,72	12,46	N 4	M10	4,02	F10	0,94	3,74	lb 169,76		







## HYDRAULIC VALVES

Beside our ball valves, **GEMELS** includes in the range a wide variety of models, customized solutions and hydraulic valves such as overcenter, manifold, swivel joints, flow dividers, check valves, pressure relief valves. This allow **GEMELS** to guarantee to our customers and distributors a full package for different application like: agriculture, automotive, naval, firefighting, CNG, steel plant, aerospace and many others.

# VALVES



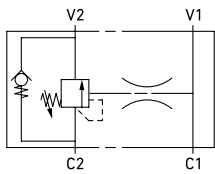
# VOSE

## SINGLE EFFECT OVERCENTER VALVE

Edition. 21.1

### CS Carbon Steel

- Type: Single Effect Overcenter Valve
- Sizes: DN6-DN20
- Ends: BSP-NPT-SAE
- Pressure: up to PN350
- Temp range: from -20°C to +90°C
- Treatment: Galvanized



## STRUCTURE

### Type and way of valve

#### Ends

GAS DIN/  
ISO 228  
BSP

NPT ANSI  
/ASME  
B1.20.1

SAE  
J1926-1

#### Material

VOSE

G 1/4  
G 3/8  
G 1/2  
G 3/4

N 1/4  
N 3/8  
N 1/2  
N 3/4

SAE4  
SAE6  
SAE8  
SAE12

CS CARBON STEEL



## FEATURES

### PILOT RATIO

4.25:1  
6.25:1

### FLUID VISCOSITY

ISO 3448

### FILTRATION

ISO4406

### FLUID TEMPERATURE

-20°C +90°C

### AMBIENT TEMPERATURE

-20°C +50°C

### STANDARD SEALS

NBR

### ADJUSTMENT

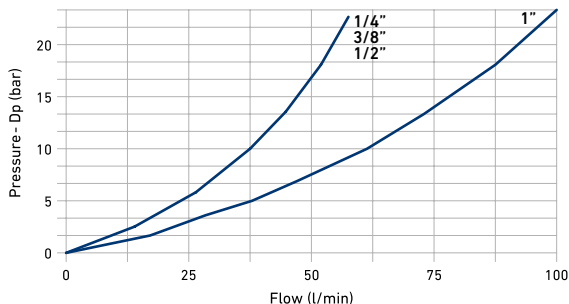
Steel cap

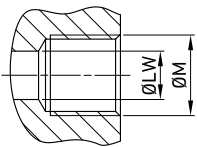
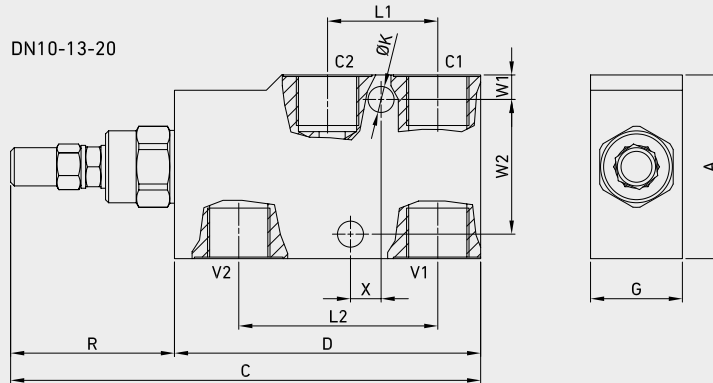
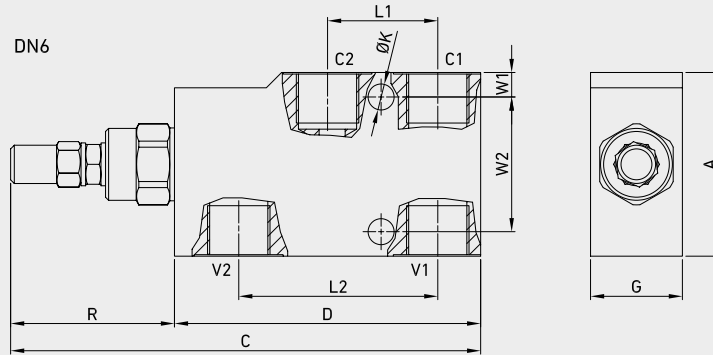
#### \*On request

- Pilot ratio 8:1 and 11:1
- Bigger sizes
- Tamper proof cap

## PERFORMANCES V to C

Oil viscosity 24mm<sup>2</sup>/s (3,5°E) - Temperature 50°C

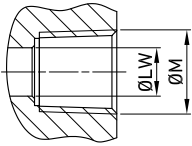




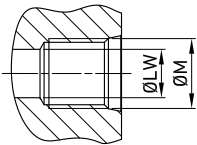
VOSE DIN/ISO 228 BSP

CS  
Carbon Steel

TYPE	DN	PN	STANDARD SETTING	SETTING RANGE	A	C	D	G	L1	L2	R	ØM	ØK	W1	W2	X	PILOT RATIO	MAX FLOW (l/min)	WEIGHT	ITEM CODE
VOSE G 1/4	6	MPa 35	30	6-35	mm 50	149	95	25	30	58	54	G 1/4	6,5	7	36	-	4,25:1	30	kg 0,9	NV02G010000
		Psi 5075	4350	870-5075	inch 1,97	5,87	3,74	0,98	1,18	2,28	2,13		0,26	0,28	1,42	-			lb 1,98	
VOSE G 3/8	10	MPa 35	30	6-35	mm 60	153,5	100	30	30	60	53,5	G 3/8	8,5	8	44	10	4,25:1	40	kg 1,25	NV02G020000
		Psi 5075	4350	870-5075	inch 2,36	6,04	3,94	1,18	1,18	2,36	2,11		0,33	0,31	1,73	0,39			lb 2,76	
VOSE G 1/2	13	MPa 35	30	6-35	mm 60	153,5	100	30	36	65	53,5	G 1/2	8,5	8	44	10	4,25:1	60	kg 1,2	NV02G030000
		Psi 5075	30	870-5075	inch 2,36	6,04	3,94	1,18	1,42	2,56	2,11		0,33	0,31	1,73	0,39			lb 2,65	
VOSE G 3/4	20	MPa 35	30	6-35	mm 80	183	127	35	46	85	56	G 3/4	8,5	18	44	10	6,25:1	90	kg 2,3	NV02G040000
		Psi 5075	4350	870-5075	inch 3,15	7,20	5,00	1,38	1,81	3,35	2,20		0,33	0,71	1,73	0,39			lb 5,07	


**VOSE ANSI/ASME B1.20.1 NPT**
**Carbon Steel**

TYPE	DN	PN	STANDARD SETTING	SETTING RANGE	A	C	D	G	L1	L2	R	$\varnothing M$	$\varnothing K$	W1	W2	X	PILOT RATIO	MAX FLOW (l/min)	WEIGHT	ITEM CODE
VOSE N 1/4	6	MPa 35	30	6-35	mm 50 149 95 25 30 58 54							N 1/4	6,5	7	36	-	4.25:1	30	kg 0,9	NVO2N010000
		Psi 5075	4350	870-5075	inch 1,97 5,87 3,74 0,98 1,18 2,28 2,13								0,26	0,28	1,42	-			lb 1,98	
VOSE N 3/8	10	MPa 35	30	6-35	mm 60 153,5 100 30 30 60 53,5							N 3/8	8,5	8	44	10	4.25:1	40	kg 1,25	NVO2N020000
		Psi 5075	4350	870-5075	inch 2,36 6,04 3,94 1,18 1,18 2,36 2,11								0,33	0,31	1,73	0,39			lb 2,76	
VOSE N 1/2	13	MPa 35	30	6-35	mm 60 153,5 100 30 36 65 53,5							N 1/2	8,5	8	44	10	4.25:1	60	kg 1,2	NVO2N030000
		Psi 5075	30	870-5075	inch 2,36 6,04 3,94 1,18 1,42 2,56 2,11								0,33	0,31	1,73	0,39			lb 2,65	
VOSE N 3/4	20	MPa 35	30	6-35	mm 80 183 127 35 46 85 56							N 3/4	8,5	18	44	10	6.25:1	90	kg 2,3	NVO2N040000
		Psi 5075	4350	870-5075	inch 3,15 7,20 5,00 1,38 1,81 3,35 2,20								0,33	0,71	1,73	0,39			lb 5,07	


**VOSE SAE J1926-1**
**Carbon Steel**

TYPE	DN	PN	STANDARD SETTING	SETTING RANGE	A	C	D	G	L1	L2	R	$\varnothing M$	$\varnothing K$	W1	W2	X	PILOT RATIO	MAX FLOW (l/min)	WEIGHT	ITEM CODE
VOSE SAE 4	6	MPa 35	30	6-35	mm 50 149 95 25 30 58 54							7/16 UNF	6,5	7	36	-	4.25:1	30	kg 0,9	NVO2S010000
		Psi 5075	4350	870-5075	inch 1,97 5,87 3,74 0,98 1,18 2,28 2,13								0,26	0,28	1,42	-			lb 1,98	
VOSE SAE 6	10	MPa 35	30	6-35	mm 60 153,5 100 30 30 60 53,5							9/16 UNF	8,5	8	44	10	4.25:1	40	kg 1,25	NVO2S020000
		Psi 5075	4350	870-5075	inch 2,36 6,04 3,94 1,18 1,18 2,36 2,11								0,33	0,31	1,73	0,39			lb 2,76	
VOSE SAE 8	13	MPa 35	30	6-35	mm 60 153,5 100 30 36 65 53,5							3/4 - 16 UNF	8,5	8	44	10	4.25:1	60	kg 1,2	NVO2S030000
		Psi 5075	30	870-5075	inch 2,36 6,04 3,94 1,18 1,42 2,56 2,11								0,33	0,31	1,73	0,39			lb 2,65	
VOSE SAE 12	20	MPa 35	30	6-35	mm 80 183 127 35 46 85 56							1 1/16 UN	8,5	18	44	10	6.25:1	90	kg 2,3	NVO2S040000
		Psi 5075	4350	870-5075	inch 3,15 7,20 5,00 1,38 1,81 3,35 2,20								0,33	0,71	1,73	0,39			lb 5,07	



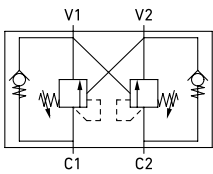
# VODE

## DOUBLE EFFECT OVERCENTER VALVE

Edition. 21.1

### CS Carbon Steel

- Type: Double Effect Overcenter Valve
- Sizes: DN6-DN20
- Ends: BSP-NPT-SAE
- Pressure: up to PN350
- Temp range: from -20°C to +90°C
- Treatment: Galvanized



## STRUCTURE

Type and way of valve	Ends			Material
	GAS DIN/ ISO 228 BSP	NPT ANSI /ASME B1.20.1	SAE J1926-1	
VODE	G 1/4 G 3/8 G 1/2 G 3/4	N 1/4 N 3/8 N 1/2 N 3/4	SAE4 SAE6 SAE8 SAE12	CS CARBON STEEL



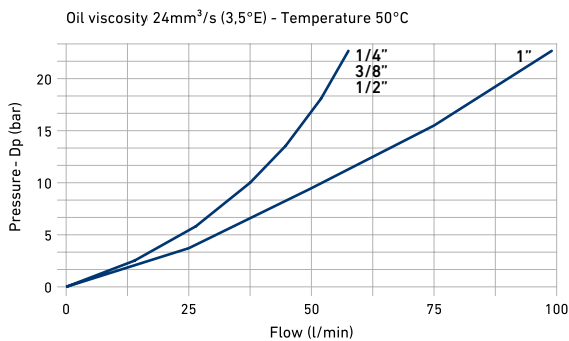
## FEATURES

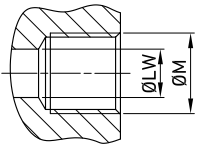
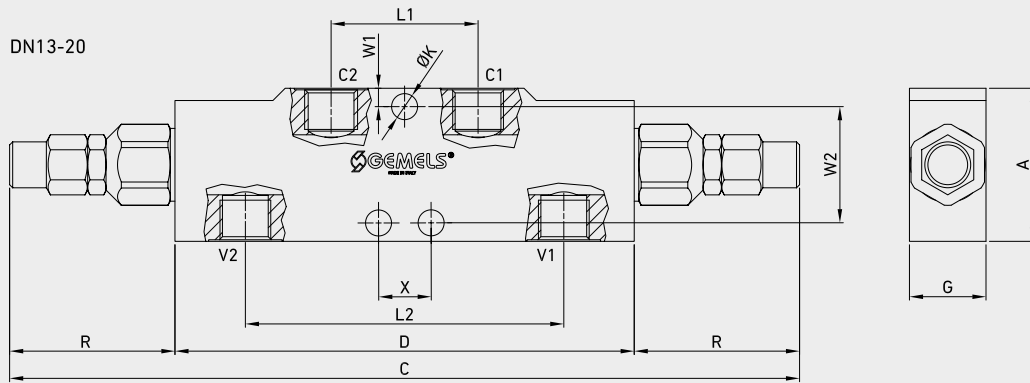
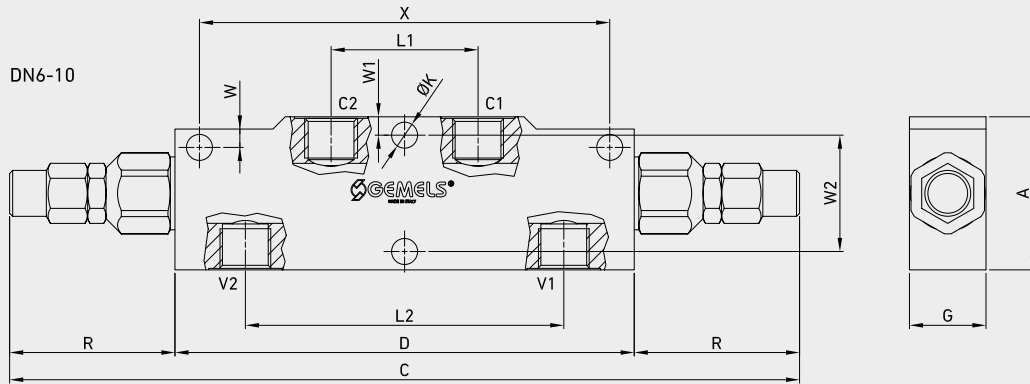
PILOT RATIO	FLUID VISCOSITY	FILTRATION	FLUID TEMPERATURE	AMBIENT TEMPERATURE	STANDARD SEALS	ADJUSTMENT
4,25:1 6,25:1	ISO 3448	ISO4406	-20°C +90°C	-20°C +50°C	NBR	Steel cap Std. Tamper proof cap

**\*On request**

- Pilot ratio 8:1 and 11:1
- Bigger sizes
- Tamper proof cap

## PERFORMANCES V to C



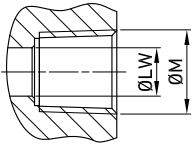


VODE DIN/ISO 228 BSP

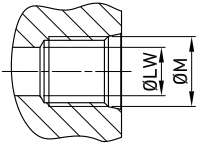
CS  
Carbon Steel

TYPE	DN	PN	STANDARD SETTING	SETTING RANGE	A	C	D	G	L1	L2	R	ØM	ØK	W	W1	W2	X	PILOT RATIO	MAX FLOW (l/min)	WEIGHT	ITEM CODE
VODE G 1/4	6	MPa 35	30	6-35	mm 50	258	150	25	48	104	54	G 1/4	8,5	10	6	38	134	4,25:1	30	kg 1,42	NV01G010000
		Psi 5075	4350	870-5075	inch 1,97	10,16	5,91	0,98	1,89	4,09	2,13	G 1/4	0,33	0,39	0,24	1,50	5,28			lb 3,13	
VODE G 3/8	10	MPa 35	30	3-35	mm 50	258	150	25	48	104	54	G 3/8	8,5	10	6	38	134	4,25:1	40	kg 1,39	NV01G020000
		Psi 5075	4350	435-5075	inch 1,97	10,16	5,91	0,98	1,89	4,09	2,13	G 3/8	0,33	0,39	0,24	1,50	5,28			lb 3,06	
VODE G 1/2	13	MPa 35	30	6-35	mm 60	258	150	30	50	110	54	G 1/2	8,5	-	8	44	30	4,25:1	60	kg 2	NV01G030000
		Psi 5075	4350	870-5075	inch 2,36	10,16	5,91	1,18	1,97	4,33	2,13	G 1/2	0,33	-	0,31	1,73	1,18			lb 4,41	
VODE G 3/4	20	MPa 35	30	6-35	mm 80	304	190	35	65	143	57	G 3/4	8,5	-	8	64	44	6,25:1	90	kg 3,8	NV01G040000
		Psi 5075	4350	435-5075	inch 3,15	11,97	7,48	1,38	2,56	5,63	2,24	G 3/4	0,33	-	0,31	2,52	1,73			lb 8,38	




**VODE ANSI/ASME B1.20.1 NPT**

																			CS Carbon Steel		
TYPE	DN	PN	STANDARD SETTING	SETTING RANGE	A	C	D	G	L1	L2	R	ØM	ØK	W	W1	W2	X	PILOT RATIO	MAX FLOW (l/min)	WEIGHT	ITEM CODE
VODE N 1/4	6	MPa 35	30	6-35	mm 50 258 150 25 48 104 54	N 1/4	8,5	10	6	38	134	4.25:1	30	kg 1,42	NVO1N010000						
		Psi 5075	4350	870-5075	inch 1,97 10,16 5,91 0,98 1,89 4,09 2,13											0,33	0,39	0,24	1,50	5,28	lb 3,13
VODE N 3/8	10	MPa 35	30	3-35	mm 50 258 150 25 48 104 54	N 3/8	8,5	10	6	38	134	4.25:1	40	kg 1,39	NVO1N020000						
		Psi 5075	4350	435-5075	inch 1,97 10,16 5,91 0,98 1,89 4,09 2,13											0,33	0,39	0,24	1,50	5,28	lb 3,06
VODE N 1/2	13	MPa 35	30	6-35	mm 60 258 150 30 50 110 54	N 1/2	8,5	-	8	44	30	4.25:1	60	kg 2	NVO1N030000						
		Psi 5075	4350	870-5075	inch 2,36 10,16 5,91 1,18 1,97 4,33 2,13											0,33	-	0,31	1,73	1,18	lb 4,41
VODE N 3/4	20	MPa 35	30	6-35	mm 80 304 190 35 65 143 57	N 3/4	8,5	-	8	64	44	6.25:1	90	kg 3,8	NVO1N040000						
		Psi 5075	4350	435-5075	inch 3,15 11,97 7,48 1,38 2,56 5,63 2,24											0,33	-	0,31	2,52	1,73	lb 8,38


**VODE SAE J1926-1**

																			CS Carbon Steel		
TYPE	DN	PN	STANDARD SETTING	SETTING RANGE	A	C	D	G	L1	L2	R	ØM	ØK	W	W1	W2	X	PILOT RATIO	MAX FLOW (l/min)	WEIGHT	ITEM CODE
VODE SAE 4	6	MPa 35	30	6-35	mm 50 258 150 25 48 104 54	7/16 UNF	8,5	10	6	38	134	4.25:1	30	kg 1,42	NVO1S010000						
		Psi 5075	4350	870-5075	inch 1,97 10,16 5,91 0,98 1,89 4,09 2,13											0,33	0,39	0,24	1,50	5,28	lb 3,13
VODE SAE 6	10	MPa 35	30	3-35	mm 50 258 150 25 48 104 54	9/16 UNF	8,5	10	6	38	134	4.25:1	40	kg 1,39	NVO1S020000						
		Psi 5075	4350	435-5075	inch 1,97 10,16 5,91 0,98 1,89 4,09 2,13											0,33	0,39	0,24	1,50	5,28	lb 3,06
VODE SAE 8	13	MPa 35	30	6-35	mm 60 258 150 30 50 110 54	3/4-16 UNF	8,5	-	8	44	30	4.25:1	60	kg 2	NVO1S030000						
		Psi 5075	4350	870-5075	inch 2,36 10,16 5,91 1,18 1,97 4,33 2,13											0,33	-	0,31	1,73	1,18	lb 4,41
VODE SAE 12	20	MPa 35	30	6-35	mm 80 304 190 35 65 143 57	1 1/16 -12 UN	8,5	-	8	64	44	6.25:1	90	kg 3,8	NVO1S040000						
		Psi 5075	4350	435-5075	inch 3,15 11,97 7,48 1,38 2,56 5,63 2,24											0,33	-	0,31	2,52	1,73	lb 8,38



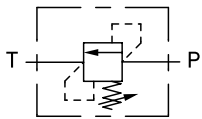
# VRC

## DIRECT ACTING RELIEF VALVE WITH MANIFOLD

Edition. 21.2

### CS Carbon Steel

- Type: Direct Acting Relief Valve with Manifold
- Sizes: DN6-DN10
- Ends: BSP-NPT-SAE
- Pressure: up to PN350
- Temp range: from -20°C to +80°C
- Treatment: Galvanized



## STRUCTURE

Type and way of valve	Ends			Material
	GAS DIN/ ISO 228 BSP	NPT ANSI /ASME B1.20.1	SAE J1926-1	
VRC	G 1/4 G 3/8	N 1/4 N 3/8	SAE4 SAE6	CS CARBON STEEL

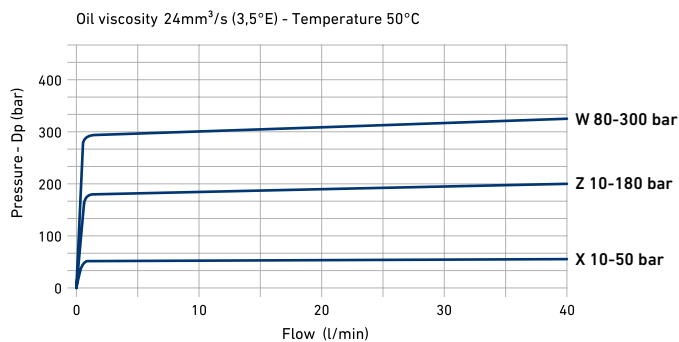


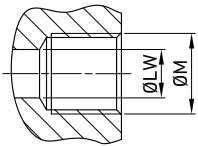
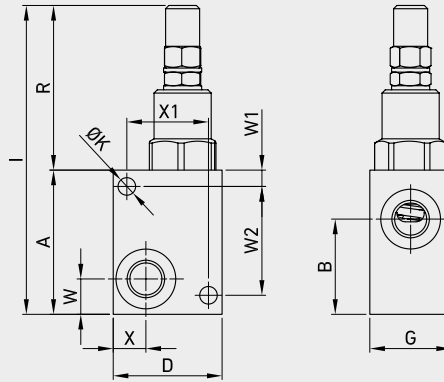
## FEATURES

MAX. FLOW (L/MIN)	FLUID VISCOSITY	FILTRATION	FLUID TEMPERATURE	AMBIENT TEMPERATURE	STANDARD SEALS	SEALS MATERIAL	SETTING RANGE	STANDARD SETTING AT 5l/min (BAR)	ADJUSTMENT
40	ISO 3448	ISO4406	-20°C/80°C	-20°C/50°C	NBR 70 Shore A	NBR 70 Shore A Viton*	10-180 10-50* 80-300*	90 30* 150*	Screw with steel cap Tamper resistant cap* Handknob and locknut*

\*On request

## PERFORMANCES

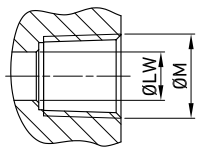




VRC DIN/ISO 228 BSP

CS  
Carbon Steel

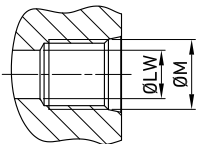
TYPE	DN	PN	A	B	D	G	I	R	ØM	ØK	W	W1	W2	X	X1	WEIGHT	ITEM CODE
VRC G 1/4	6	MPa 35	mm 52	35	40	30	114	62	G 1/4	6,5	13	5	40	12	30	kg 0,45	NVR1G010000
		Psi 5075	inch 2,05	1,38	1,57	1,18	4,49	2,44		0,26	0,51	0,20	1,57	0,47	1,18	lb 0,99	
VRC G 3/8	10	MPa 35	mm 55	35,5	40	30	117	62	G 3/8	6,5	15	5	43	12	30	kg 0,45	NVR1G020000
		Psi 5075	inch 2,17	1,40	1,57	1,18	4,61	2,44		0,26	0,59	0,20	1,69	0,47	1,18	lb 0,99	



VRC ANSI/ASME B1.20.1 NPT

CS  
Carbon Steel

TYPE	DN	PN	A	B	D	G	I	R	ØM	ØK	W	W1	W2	X	X1	WEIGHT	ITEM CODE
VRC N 1/4	6	MPa 35	mm 52	35	40	30	114	62	N 1/4	6,5	13	5	40	12	30	kg 0,45	NVR1N010000
		Psi 5075	inch 2,05	1,38	1,57	1,18	4,49	2,44		0,26	0,51	0,20	1,57	0,47	1,18	lb 0,99	
VRC N 3/8	10	MPa 35	mm 55	35,5	40	30	117	62	N 3/8	6,5	15	5	43	12	30	kg 0,45	NVR1N020000
		Psi 5075	inch 2,17	1,40	1,57	1,18	4,61	2,44		0,26	0,59	0,20	1,69	0,47	1,18	lb 0,99	



**VRC SAE J1926-1**

**CS**  
Carbon Steel

TYPE	DN	PN	A	B	D	G	I	R	ØM	ØK	W	W1	W2	X	X1	WEIGHT	ITEM CODE
VRC SAE 4	6	MPa 35	mm 52	35	40	30	114	62	7/16	6,5	13	5	40	12	30	kg 0,45	NVR1S010000
		Psi 5075	inch 2,05	1,38	1,57	1,18	4,49	2,44	UNF	0,26	0,51	0,20	1,57	0,47	1,18	lb 0,99	
VRC SAE 6	10	MPa 35	mm 55	35,5	40	30	117	62	9/16	6,5	15	5	43	12	30	kg 0,45	NVR1S020000
		Psi 5075	inch 2,17	1,40	1,57	1,18	4,61	2,44	UNF	0,26	0,59	0,20	1,69	0,47	1,18	lb 0,99	



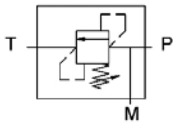
# VRM

## RELIEF VALVE IN MANIFOLD WITH MANOMETER PORT

Edition. 21.3

### CS Carbon Steel

- Type: Relief Valve in Manifold with Manometer Port
- Sizes: DN10-DN13-DN20
- Ends: BSP-NPT-SAE
- Pressure: up to PN350
- Temp range: from -20°C to +80°C
- Treatment: Galvanized



## STRUCTURE

Type and way of valve	Ends			Material
	GAS DIN/ ISO 228 BSP	NPT ANSI /ASME B1.20.1	SAE J1926-1	
VRM	G 3/8 G 1/2 G 3/4	N 3/8 N 1/2 N 3/4	SAE6 SAE8 SAE12	CS CARBON STEEL

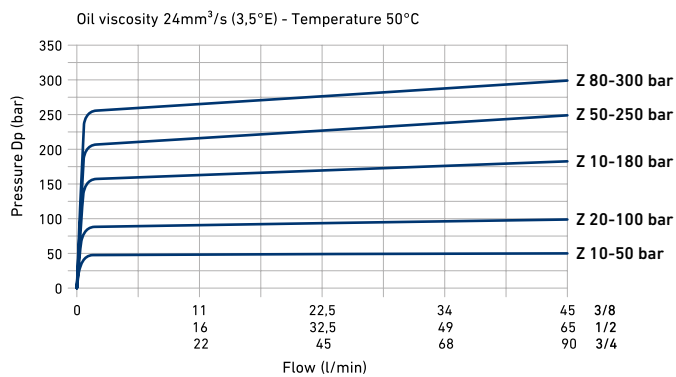


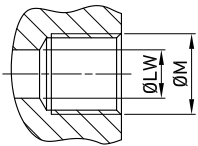
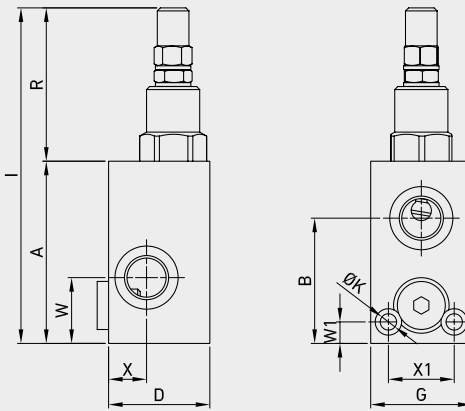
## FEATURES

MAX. FLOW (L/MIN)	FLUID VISCOSITY	FILTRATION	FLUID TEMPERATURE	AMBIENT TEMPERATURE	STANDARD SEALS	SEALS MATERIAL	SETTING RANGE	STANDARD SETTING	ADJUSTMENT
45 (DN10)	ISO 3448	ISO4406	-20°C/80°C	-20°C/50°C	NBR 70 Shore A	NBR 70 Shore A	10-180	90	Screw with steel cap Tamper resistant cap* Handknob and locknut*
70 (DN13)						Viton*	10-50*	30*	
90 (DN20)							20-100* 50-250* 80-300*	70* 130* 150*	

\*On request

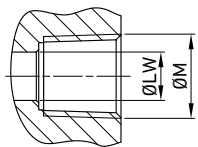
## PERFORMANCES





VRM DIN/ISO 228 BSP

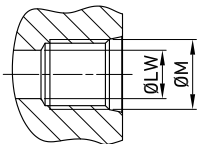
																CS Carbon Steel			
TYPE	DN	PN		A	B	D	G	I	R	ØM	ØK	W	W1	X	X1	WEIGHT	ITEM CODE		
VRM G 3/8	10	MPa	35	mm	72	49,5	40	40	134	62	G 1/4	6,5	26	8,5	15	26	kg	0,8	NVR2G020000
		Psi	5075	inch	2,83	1,95	1,57	1,57	5,28	2,44		0,26	1,02	0,33	0,59	1,02	lb	1,76	
VRM G 1/2	13	MPa	35	mm	77	54	45	45	139	62	G 3/8	6,5	29,5	8,5	17,5	30	kg	1	NVR2G030000
		Psi	5075	inch	3,03	2,13	1,77	1,77	5,47	2,44		0,26	1,16	0,33	0,69	1,18	lb	2,20	
VRM G 3/4	20	MPa	35	mm	92	68	50	50	154	62	G 1/2	6,5	35	10	20	32	kg	1,5	NVR2G040000
		Psi	5075	inch	3,62	2,68	1,97	1,97	6,06	2,44		0,26	1,38	0,39	0,79	1,26	lb	3,31	



VRM ANSI/ASME B1.20.1 NPT

																CS Carbon Steel			
TYPE	DN	PN		A	B	D	G	I	R	ØM	ØK	W	W1	X	X1	WEIGHT	ITEM CODE		
VRM N 3/8	10	MPa	35	mm	72	49,5	40	40	134	62	N 1/4	6,5	26	8,5	15	26	kg	0,8	NVR2N020000
		Psi	5075	inch	2,83	1,95	1,57	1,57	5,28	2,44		0,26	1,02	0,33	0,59	1,02	lb	1,76	
VRM N 1/2	13	MPa	35	mm	77	54	45	45	139	62	N 3/8	6,5	29,5	8,5	17,5	30	kg	1	NVR2N030000
		Psi	5075	inch	3,03	2,13	1,77	1,77	5,47	2,44		0,26	1,16	0,33	0,69	1,18	lb	2,20	
VRM N 3/4	20	MPa	35	mm	92	68	50	50	154	62	N 1/2	6,5	35	10	20	32	kg	1,5	NVR2N040000
		Psi	5075	inch	3,62	2,68	1,97	1,97	6,06	2,44		0,26	1,38	0,39	0,79	1,26	lb	3,31	




**VRM SAE J1926-1**

																	CS Carbon Steel	
TYPE	DN	PN		A	B	D	G	I	R	ØM	ØK	W	W1	X	X1	WEIGHT	ITEM CODE	
VRM SAE 6	10	MPa	35	mm	72	49,5	40	40	134	62	7/16 UNF	6,5	26	8,5	15	26	kg	0,8
		Psi	5075	inch	2,83	1,95	1,57	1,57	5,28	2,44		0,26	1,02	0,33	0,59	1,02	lb	1,76
VRM SAE 8	13	MPa	35	mm	77	54	45	45	139	62	9/16 UNF	6,5	29,5	8,5	17,5	30	kg	1
		Psi	5075	inch	3,03	2,13	1,77	1,77	5,47	2,44		0,26	1,16	0,33	0,69	1,18	lb	2,20
VRM SAE 12	20	MPa	35	mm	92	68	50	50	154	62	3/4 UNF	6,5	35	10	20	32	kg	1,5
		Psi	5075	inch	3,62	2,68	1,97	1,97	6,06	2,44		0,26	1,38	0,39	0,79	1,26	lb	3,31



# VBP

Edition. 21.3

## CS Carbon Steel

### • VBPSE

- Type: single pilot operated check valves
- Sizes: from DN6 up to DN50
- Ends: BSP
- Pressure: up to PN350
- Temp range: from -20°C to +100°C
- Treatment: Galvanized

### • VBPDE

- Type: double pilot operated check valves
- Sizes: from DN6 up to DN50
- Ends: BSP
- Pressure: up to PN350
- emp range: from -20°C to +100°C
- Treatment: Galvanized

### • VBPDE CEXC

- Type: double pilot operated check valves
- Sizes: from DN6 up to DN50
- Ends: BSP
- Pressure: up to PN350
- Temp range: from -20°C to +100°C
- Treatment: Galvanized



CODE DESCRIPTION STRUCTURE

**VBPSE** **G1/2** **CS**

Type and way of valve

VBPSE single pilot operated check valves

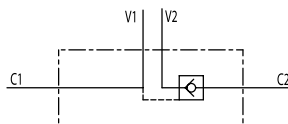
Ends

GAS DIN/  
ISO 228  
BSP

G 1/4  
G 3/8  
G 1/2  
G 3/4

Material

● CS carbon steel



**VBPDE** **G1/2** **CS**

Type and way of valve

VBPDE double pilot operated check valves

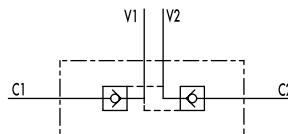
Ends

GAS DIN/  
ISO 228  
BSP

G 1/4  
G 3/8  
G 1/2  
G 3/4

Material

● CS carbon steel



**VBPDE  
CEXC** **G1/2** **CS**

Type and way of valve

VBPDE CEXC double pilot operated check valves

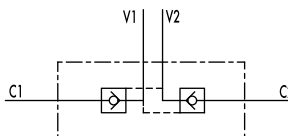
Ends

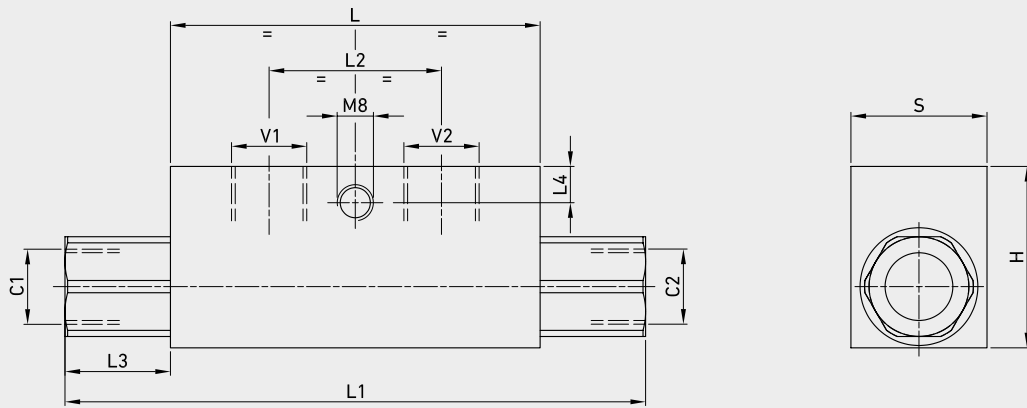
GAS DIN/  
ISO 228  
BSP

G 1/4  
G 3/8  
G 1/2  
G 3/4

Material

● CS carbon steel





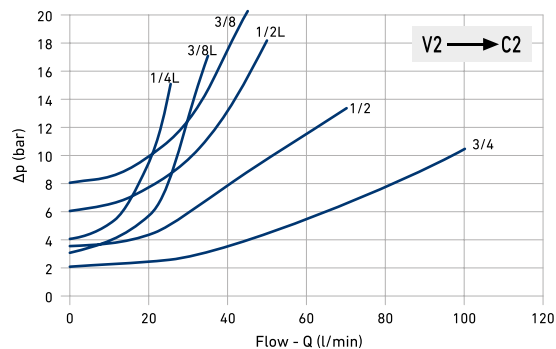
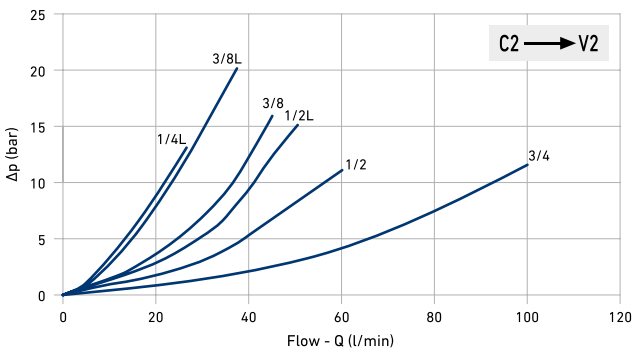
**VBPSE Single pilot operated check valves**

CS  
Carbon Steel

TYPE	V1 - V2 C1 - C2 GAS - MET	MAX PRESSURE	CRACKING PRESSURE	L	L1	L2	L3	L4	H	S	WEIGHT	ITEM CODE			
VBPSE 1/4" L	G 1/4"	MPa	35	0,4	mm	64	106,5	36	18	8	40	30	kg	0,612	NVB2G010000
		Psi	5075	58	inch	2,52	4,19	1,42	0,71	0,31	1,57	1,18	lb	1,35	
VBPSE 3/8" L	G 3/8"	MPa	35	0,3	mm	80	120	38	16	8	40	30	kg	0,706	NVB2G020000
		Psi	5075	43,5	inch	3,15	4,72	1,50	0,63	0,31	1,57	1,18	lb	1,56	
VBPSE 1/2" L	G 1/2"	MPa	35	0,6	mm	90	133	45	17	12,5	45	35	kg	0,994	NVB2G030000
		Psi	5075	87	inch	3,54	5,24	1,77	0,67	0,49	1,77	1,38	lb	2,19	
VBPSE 3/8"	G 3/8"	MPa	35	0,8	mm	90	148	45	25	12,5	40	30	kg	1,13	NVB2G020250
		Psi	5075	116	inch	3,54	5,83	1,77	0,98	0,49	1,57	1,18	lb	2,49	
VBPSE 1/2"	G 1/2"	MPa	35	0,35	mm	80	134	40	23	18	60	35	kg	1,214	NVB2G030260
		Psi	5075	50,75	inch	3,15	5,28	1,57	0,91	0,71	2,36	1,38	lb	2,68	
VBPSE 3/4"	G 3/4"	MPa	35	0,2	mm	100	182	46	36	12	60	40	kg	1,792	NVB2G040000
		Psi	5075	29	inch	3,94	7,17	1,81	1,42	0,47	2,36	1,57	lb	3,95	

**PRESSURE DROP CURVES**

Temperature : 50°C / Oil viscosity: 30cSt



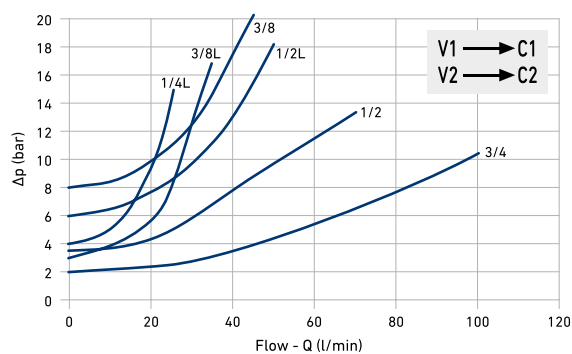
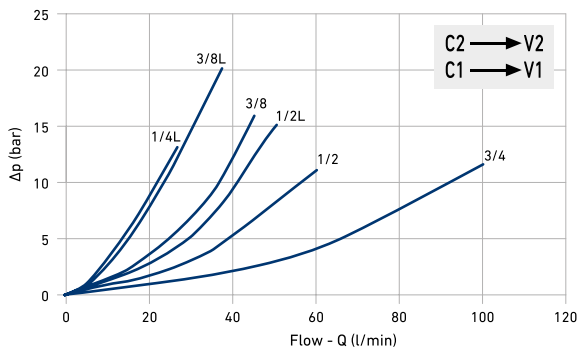
**VBPDE Double pilot operated check valves**

 CS  
Carbon Steel

TYPE	V1 - V2 C1 - C2 GAS - MET	MAX PRESSURE	CRACKING PRESSURE	L	L1	L2	L3	L4	H	S	WEIGHT	ITEM CODE		
VBPDE 1/4"L	G 1/4"	MPa	35	0,4	mm	64	113	36	24,5	8	40	30	kg 0,636	NVB1G010000
		Psi	5075	58	inch	2,52	4,45	1,42	0,96	0,31	1,57	1,18	lb 1,40	
VBPDE 3/8"L	G 3/8"	MPa	35	0,3	mm	80	128	38	24	8	40	30	kg 0,736	NVB1G020000
		Psi	5075	43,5	inch	3,15	5,04	1,50	0,94	0,31	1,57	1,18	lb 1,62	
VBPDE 1/2" L	G 1/2"	MPa	35	0,6	mm	90	142	45	26	12,5	45	35	kg 1,042	NVB1G030000
		Psi	5075	87	inch	3,54	5,59	1,77	1,02	0,49	1,77	1,38	lb 2,30	
VBPDE 3/8"	G 3/8"	MPa	35	0,8	mm	90	156	45	33	12,5	45	35	kg 1,174	NVB1G020050
		Psi	5075	116	inch	3,54	6,14	1,77	1,30	0,49	1,77	1,38	lb 2,59	
VBPDE 1/2"	G 1/2"	MPa	35	0,35	mm	80	144	40	32	18	60	35	kg 1,284	NVB1G030070
		Psi	5075	50,75	inch	3,15	5,67	1,57	1,26	0,71	2,36	1,38	lb 2,83	
VBPDE 3/4"	G 3/4"	MPa	30	0,2	mm	100	192	46	46	12	60	40	kg 1,916	NVB1G040000
		Psi	4350	29	inch	3,94	7,56	1,81	1,81	0,47	2,36	1,57	lb 4,22	

**PRESSURE DROP CURVES**

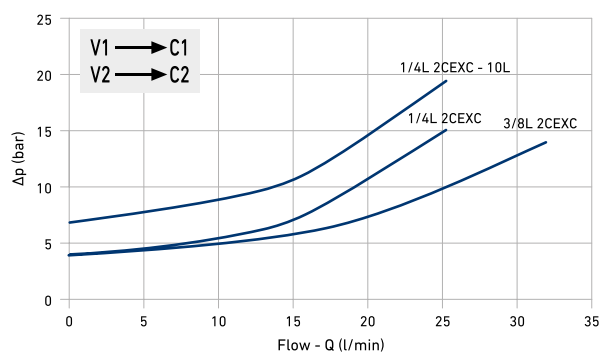
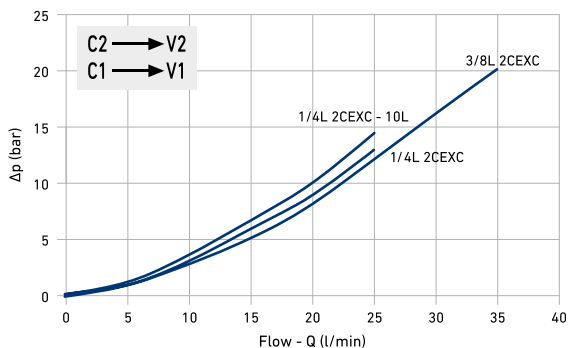
Temperature : 50°C / Oil viscosity: 30cSt


**VBPDE CEXC Double pilot operated check valves for 12mm pipe mounting din (2353)**

TYPE	V1 - V2 C1 - C2 GAS - MET	MAX PRESSURE	CRACKING PRESSURE	L	L1	L2	L3	H	S	WEIGHT		
VBPDE 1/4" L 2 CEXC-10L	G 1/4"	MPa	35	0,7	mm	64	125	36	160	40	30	kg 0,644
		Psi	5075	101,5	inch	2,52	4,92	1,42	6,30	1,57	1,18	lb 1,42
VBPDE 1/4" L 2 CEXC	G 1/4"	MPa	35	0,4	mm	64	130	36	160	40	30	kg 0,648
		Psi	5075	58	inch	2,52	5,12	1,42	6,30	1,57	1,18	lb 1,43
VBPDE 3/8" L 2 CEXC	G 3/8"	MPa	35	0,4	mm	64	130	36	166	40	30	kg 0,630
		Psi	5075	58	inch	2,52	5,12	1,42	6,54	1,57	1,18	lb 1,39

**PRESSURE DROP CURVES**

Temperature : 50°C / Oil viscosity: 30cSt





# RFM/BDM

## FLOW REGULATOR BARREL TYPE

Edition. 21.0

### CS Carbon Steel

- Type: flow regulator barrel
- Sizes: from DN6 up to DN25
- Ends: BSP
- Pressure: up to PN350
- Temp range: -20°C to +100°C

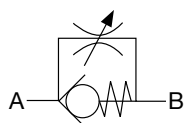
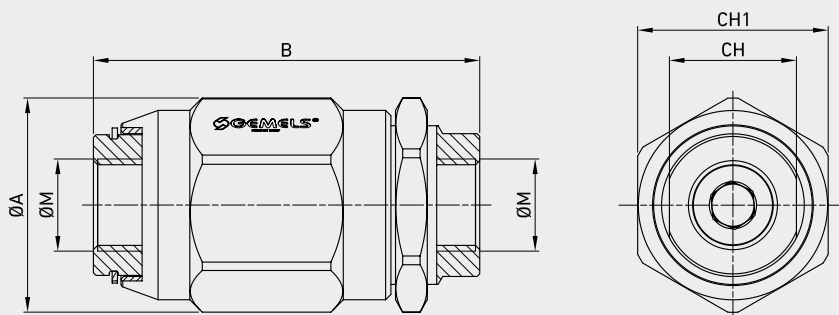


### RFM

- Fluid viscosity: ISO 3448
- Filtration: ISO 4406
- Fluid temperature: -20°C +90°C
- Ambient temperature: -20°C +50°C
- External surfaces: Zinc plated

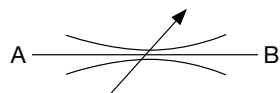
### BDM

- Fluid viscosity: ISO 3448
- Filtration: ISO 4406
- Fluid temperature: -20°C +90°C
- Ambient temperature: -20°C +50°C
- External surfaces: Zinc plated



### RFM DIN/ISO 228 BSP - UNI-DIRECTIONAL

TYPE	DN	PN		MAX FLOW L/m		ØA	B	CH	CH1	ØM	WEIGHT		CS Carbon Steel
		MPa	Psi	L/m	mm						inch	kg	lb
RFM G 1/4	6	MPa	35	15	mm	33,5	62	19	30	G 1/4	kg	0,24	GF2GGT130110RFM
		Psi	5075		inch	1,32					2,44	0,75	
RFM G 3/8	10	MPa	35	35	mm	40,5	73	24	36	G 3/8	kg	0,43	GF2GGT230110RFM
		Psi	5075		inch	1,59					2,87	0,94	
RFM G 1/2	13	MPa	35	45	mm	46	83	30	41	G 1/2	kg	0,68	GF2GGT330110RFM
		Psi	5075		inch	1,81					3,27	1,18	
RFM G 3/4	20	MPa	35	80	mm	60,5	102	36	55	G 3/4	kg	1,1	GF2GGT430110RFM
		Psi	5075		inch	2,38					4,02	1,42	
RFM G 1	25	MPa	25	160	mm	60	109	55	55	G 1	kg	1,314	GF2GGT530110RFM
		Psi	3625		inch	2,36					4,29	2,17	



### BDM DIN/ISO 228 BSP - BI-DIRECTIONAL

TYPE	DN	PN		MAX FLOW L/m		ØA	B	CH	CH1	ØM	WEIGHT		CS Carbon Steel
		MPa	Psi	L/m	mm						inch	kg	lb
BDM G 1/4	6	MPa	35	15	mm	33,5	62	19	30	G 1/4	kg	0,24	GG2GGT13011BDM
		Psi	5075		inch	1,32					2,44	0,75	
BDM G 3/8	10	MPa	35	30	mm	35,5	73	24	32	G 3/8	kg	0,43	GG2GGT23011BDM
		Psi	5075		inch	1,40					2,87	0,94	
BDM G 1/2	13	MPa	35	45	mm	46	83	30	41	G 1/2	kg	0,68	GG2GGT33011BDM
		Psi	5075		inch	1,81					3,27	1,18	
BDM G 3/4	20	MPa	35	80	mm	60,5	102	36	55	G 3/4	kg	1,26	GG2GGT43011BDM
		Psi	5075		inch	2,38					4,02	1,42	
BDM G 1	25	MPa	25	160	mm	60,5	109	41	55	G 1	kg	1,28	GG2GGT53011BDM
		Psi	3625		inch	2,38					4,29	1,61	



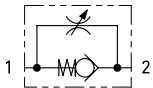
# RF

## FLOW CONTROL

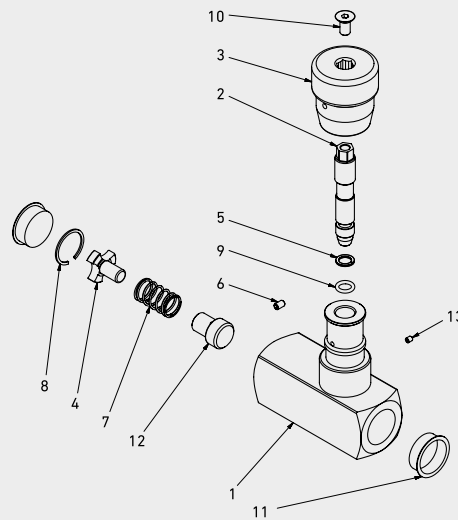
Edition. 21.3

### CS Carbon Steel

- Type: check valve flow control
- Sizes: from DN6 up to DN40
- Ends: BSP-NPT
- Pressure: up to PN400
- Temp range: from -20°C to +100°C
- Treatment: Galvanized



### STANDARD COMPOSITION OF VALVE



POS	DESCRIPTION	Q.TY	CS Carbon Steel MATERIAL
1	Body	1	1,0503
2	Stem	1	ALLUMINIUM
3	Handle	1	X 35 Cr Mo 17
4	Spring ring	1	PTFE
5	Stem ring	1	1,0737
6	Pin	1	1,0116
7	Spring	1	X 35 Cr Mo 17
8	Seeger	1	NBR
9	Stem o-ring	1	DIN 7991 8.8
10	Screw	1	PVC
11	Caps	2	1,0737
12	Poppet	1	DIN 7991 8.8
13	Screw	1	DIN 7991 8.8





**CRACKING PRESSURE**  
0,50 bar

**CODE DESCRIPTION STRUCTURE**

**RF** **G1/2** **CS**

**Type and way of valve**

RF flow control

**Ends**

**GAS DIN/** **NPT ANSI**  
**ISO 228** **/ASME**  
**BSP** **B1.20.1**

G 1/4	N 1/4
G 3/8	N 3/8
G 1/2	N 1/2
G 3/4	N 3/4
G 1	N 1
G 1 1/4	G 1 1/4
G 1 1/2	G 1 1/2

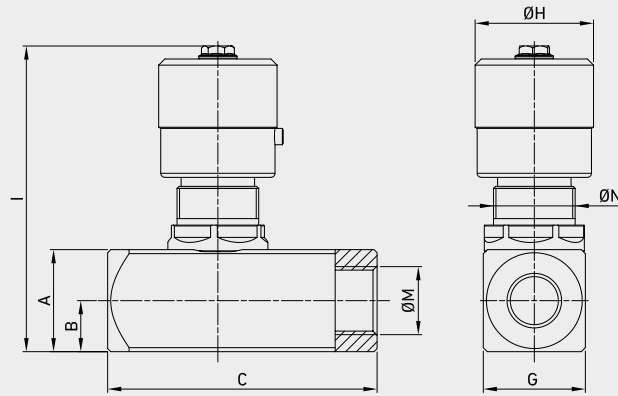
**Material**

CS carbon steel

\*On request

- Special threads
- Pressure class PN 350

*For further special requests please consult our technical/commercial service.*



RF DIN/ISO 228 BSP

CS

Carbon Steel

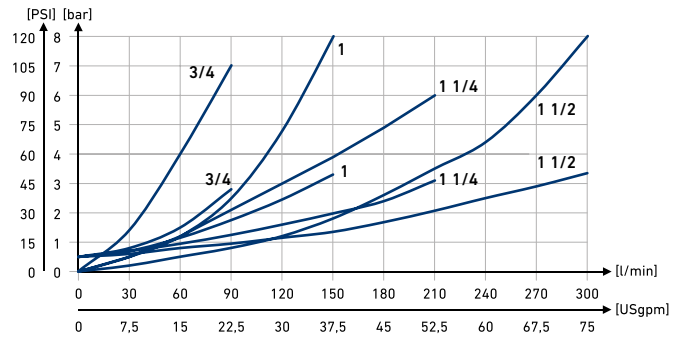
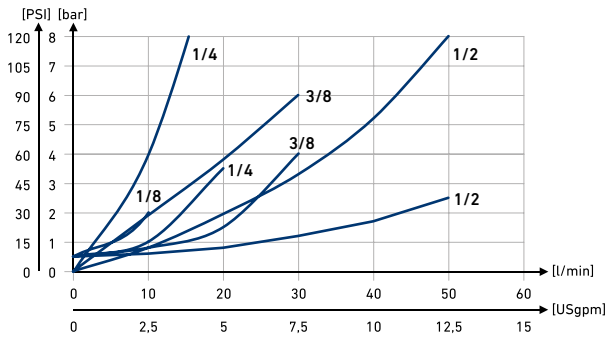
TYPE	DN	PN	MAX FLOW L/m	CRACKING PRESSURE	A	B	C	G	ØH	I	ØM	ØN	WEIGHT	ITEM CODE
RF G 1/4	6	MPa 40	25	MPa 0,05	mm 25	12,5	66	25	30	75	G 1/4	M20X1	kg 0,4	GF2GGT130110000
		Psi 5800		Psi 7,25	inch 0,98	0,49	2,60	0,98	1,18	2,95			lb 0,88	
RF G 3/8	10	MPa 40	35	MPa 0,05	mm 25	12,5	77	25	30	75	G 3/8	M20X1	kg 0,4	GF2GGT230110000
		Psi 5800		Psi 7,25	inch 0,98	0,49	3,03	0,98	1,18	2,95			lb 0,88	
RF G 1/2	13	MPa 40	50	MPa 0,05	mm 30	15	86	30	30	81	G 1/2	M20X1	kg 0,6	GF2GGT330110000
		Psi 5800		Psi 7,25	inch 1,18	0,59	3,39	1,18	1,18	3,19			lb 1,32	
RF G 3/4	20	MPa 40	90	MPa 0,05	mm 40	20	112,5	40	38	110	G 3/4	M35X1.5	kg 1,45	GF2GGT430110000
		Psi 5800		Psi 7,25	inch 1,57	0,79	4,43	1,57	1,50	4,33			lb 3,20	
RF G 1	25	MPa 40	150	MPa 0,05	mm 45	22,5	141	45	38	115	G 1	M35X1.5	kg 2	GF2GGT530110000
		Psi 5800		Psi 7,25	inch 1,77	0,89	5,55	1,77	1,50	4,53			lb 4,41	
RF G 1 1/4	32	MPa 35	200	MPa 0,05	mm 55	27,5	155	55	50	137	G 1 1/4	M45X1.5	kg 3	GF2GGT630110000
		Psi 5075		Psi 7,25	inch 2,17	1,08	6,10	2,17	1,97	5,39			lb 6,61	
RF G 1 1/2	40	MPa 35	300	MPa 0,05	mm 65	32,5	168	65	50	147	G 1 1/2	M45X1.5	kg 4,5	GF2GGT730110000
		Psi 5075		Psi 7,25	inch 2,56	1,28	6,61	2,56	1,97	5,79			lb 9,92	

RF ANSI/ASME B1.20.1 NPT

CS  
Carbon Steel

TYPE	DN	PN	MAX FLOW L/m	CRACKING PRESSURE	A	B	C	G	ØH	I	ØM	ØN	WEIGHT	ITEM CODE
RF N 1/4	6	MPa 40	25	MPa 0,05	mm 25	12,5	66	25	30	75	N 1/4	M20X1	kg 0,4	GF2NNT130110000
		Psi 5800		Psi 7,25	inch 0,98	0,49	2,60	0,98	1,18	2,95			lb 0,88	
RF N 3/8	10	MPa 40	35	MPa 0,05	mm 25	12,5	77	25	30	75	N 3/8	M20X1	kg 0,4	GF2NNT230110000
		Psi 5800		Psi 7,25	inch 0,98	0,49	3,03	0,98	1,18	2,95			lb 0,88	
RF N 1/2	13	MPa 40	50	MPa 0,05	mm 30	15	86	30	30	81	N 1/2	M20X1	kg 0,6	GF2NNT330110000
		Psi 5800		Psi 7,25	inch 1,18	0,59	3,39	1,18	1,18	3,19			lb 1,32	
RF N 3/4	20	MPa 40	90	MPa 0,05	mm 40	20	112,5	40	38	110	N 3/4	M35X1.5	kg 1,45	GF2NNT430110000
		Psi 5800		Psi 7,25	inch 1,57	0,79	4,43	1,57	1,50	4,33			lb 3,20	
RF N 1	25	MPa 40	150	MPa 0,05	mm 45	22,5	141	45	38	115	N 1	M35X1.5	kg 2	GF2NNT530110000
		Psi 5800		Psi 7,25	inch 1,77	0,89	5,55	1,77	1,50	4,53			lb 4,41	
RF N 1 1/4	32	MPa 35	200	MPa 0,05	mm 55	27,5	155	55	50	137	N 1 1/4	M45X1.5	kg 3	GF2NNT630110000
		Psi 5075		Psi 7,25	inch 2,17	1,08	6,10	2,17	1,97	5,39			lb 6,61	
RF N 1 1/2	40	MPa 35	300	MPa 0,05	mm 65	32,5	168	65	50	147	N 1 1/2	M45X1.5	kg 4,5	GF2NNT730110000
		Psi 5075		Psi 7,25	inch 2,56	1,28	6,61	2,56	1,97	5,79			lb 9,92	

PRESSURE DROP CURVES





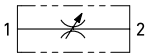
# BD

## FLOW CONTROL B-DIRECTIONAL

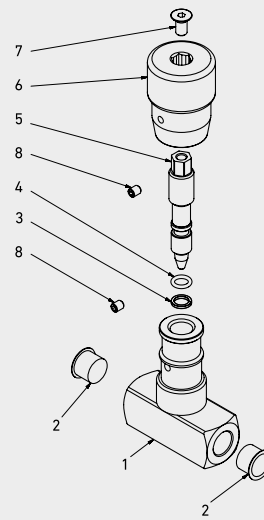
Edition. 21.3

### CS Carbon Steel

- Type: reduce flow control B-directional
- Sizes: from DN6 up to DN40
- Ends: BSP-NPT
- Pressure: up to PN400
- Temp range: from -20°C to +100°C
- Treatment: Galvanized



### STANDARD COMPOSITION OF VALVE



POS	DESCRIPTION	Q.TY	CS Carbon Steel MATERIAL
1	Body	1	1,0737
2	Caps	2	PVC
3	Stem	1	1,05
4	Stem o-ring	1	NBR
5	Stem ring	1	PTFE
6	Handle	1	ALLUMINIUM
7	Screw	1	DIN 7991 8.8
8	Screw	1	DIN 7991 8.8



**CRACKING PRESSURE**  
0,50 bar

**CODE DESCRIPTION STRUCTURE**

**BD** | **G1/2** | **CS**

**Type and way of valve**

BD flow control

**Ends**

**GAS DIN/ NPT ANSI**  
**ISO 228 /ASME**  
**BSP B1.20.1**

G 1/4	N 1/4
G 3/8	N 3/8
G 1/2	N 1/2
G 3/4	N 3/4
G 1	N 1
G 1 1/4	N 1 1/4
G 1 1/2	N 1 1/2

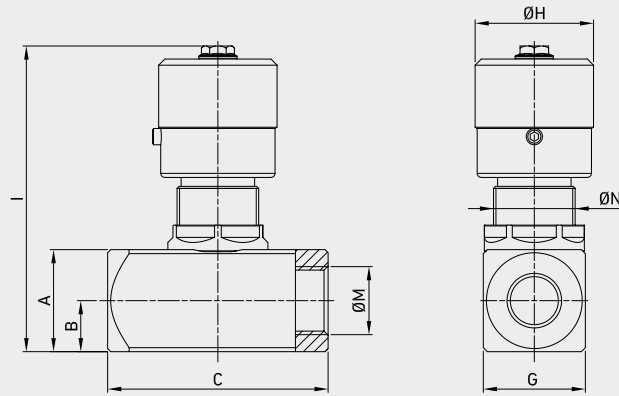
**Material**

CS carbon steel

\*On request

- Special threads
- Pressure class PN 350

*For further special requests please consult our technical/commercial service.*



BD DIN/ISO 228 BSP

CS

Carbon Steel

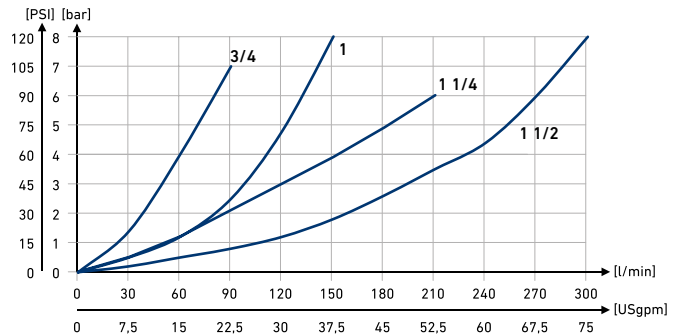
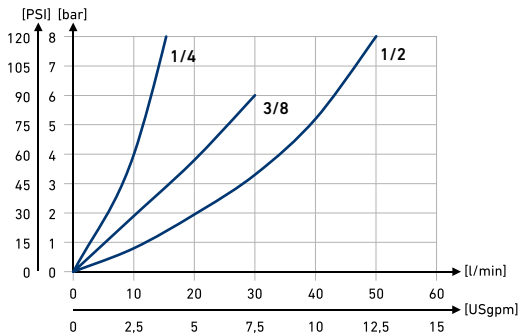
TYPE	DN	PN	MAX FLOW L/m	CRACKING PRESSURE	A	B	C	G	ØH	I	ØM	ØN	WEIGHT	ITEM CODE
BD G 1/4	6	MPa 40	25	MPa 0,05	mm 25	12,5	54	25	30	76	G 1/4	M20X1	kg 0,3	GG2GGT130110000
		Psi 5800		Psi 7,25	inch 0,98	0,49	2,13	0,98	1,18	2,99			lb 0,66	
BD G 3/8	10	MPa 40	35	MPa 0,05	mm 25	12,5	54	25	30	76	G 3/8	M20X1	kg 0,31	GG2GGT230110000
		Psi 5800		Psi 7,25	inch 0,98	0,49	2,13	0,98	1,18	2,99			lb 0,68	
BD G 1/2	13	MPa 40	50	MPa 0,05	mm 30	15	58	30	30	81	G 1/2	M20X1	kg 0,5	GG2GGT330110000
		Psi 5800		Psi 7,25	inch 1,18	0,59	2,28	1,18	1,18	3,19			lb 1,10	
BD G 3/4	20	MPa 40	90	MPa 0,05	mm 40	20	81	40	38	110	G 3/4	M35X1.5	kg 1,1	GG2GGT430110000
		Psi 5800		Psi 7,25	inch 1,57	0,79	3,19	1,57	1,50	4,33			lb 2,43	
BD G 1	25	MPa 40	150	MPa 0,05	mm 45	22,5	102	45	38	114	G 1	M35X1.5	kg 1,5	GG2GGT530110000
		Psi 5800		Psi 7,25	inch 1,77	0,89	4,02	1,77	1,50	4,49			lb 3,31	
BD G 1 1/4	32	MPa 35	200	MPa 0,05	mm 55	27,5	102	55	50	137	G 1 1/4	M45X1.5	kg 2,4	GG2GGT630110000
		Psi 5075		Psi 7,25	inch 2,17	1,08	4,02	2,17	1,97	5,39			lb 5,29	
BD G 1 1/2	40	MPa 35	300	MPa 0,05	mm 65	32,5	102	65	50	147	G 1 1/2	M45X1.5	kg 3	GG2GGT730110000
		Psi 5075		Psi 7,25	inch 2,56	1,28	4,02	2,56	1,97	5,79			lb 6,61	

BD ANSI/ASME B1.20.1 NPT

CS  
Carbon Steel

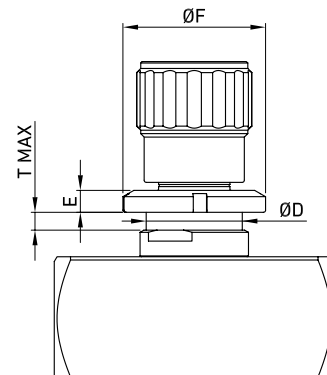
TYPE	DN	PN	MAX FLOW L/m	CRACKING PRESSURE	A	B	C	G	ØH	I	ØM	ØN	WEIGHT	ITEM CODE
BD N 1/4	6	MPa 40	25	MPa 0,05	mm 25	12,5	54	25	30	76	N 1/4	M20X1	kg 0,33	GG2NNT130110000
		Psi 5800		Psi 7,25	inch 0,98	0,49	2,13	0,98	1,18	2,99			lb 0,73	
BD N 3/8	10	MPa 40	35	MPa 0,05	mm 25	12,5	54	25	30	76	N 3/8	M20X1	kg 0,31	GG2NNT230110000
		Psi 5800		Psi 7,25	inch 0,98	0,49	2,13	0,98	1,18	2,99			lb 0,68	
BD N 1/2	13	MPa 40	50	MPa 0,05	mm 30	15	64	30	30	81	N 1/2	M20X1	kg 0,5	GG2NNT330110000
		Psi 5800		Psi 7,25	inch 1,18	0,59	2,52	1,18	1,18	3,19			lb 1,10	
BD N 3/4	20	MPa 40	90	MPa 0,05	mm 40	20	81	40	38	110	N 3/4	M35X1,5	kg 1,1	GG2NNT430110000
		Psi 5800		Psi 7,25	inch 1,57	0,79	3,19	1,57	1,50	4,33			lb 2,43	
BD N 1	25	MPa 40	150	MPa 0,05	mm 45	22,5	102	45	38	114	N 1	M35X1,5	kg 1,5	GG2NNT530110000
		Psi 5800		Psi 7,25	inch 1,77	0,89	4,02	1,77	1,50	4,49			lb 3,31	
BD N 1 1/4	32	MPa 35	200	MPa 0,05	mm 55	27,5	102	55	50	137	N 1 1/4	M45X1,5	kg 2,4	GG2NNT630110000
		Psi 5075		Psi 7,25	inch 2,17	1,08	4,02	2,17	1,97	5,39			lb 5,29	
BD N 1 1/2	40	MPa 35	300	MPa 0,05	mm 65	32,5	102	65	50	147	N 1 1/2	M45X1,5	kg 3	GG2NNT730110000
		Psi 5075		Psi 7,25	inch 2,56	1,28	4,02	2,56	1,97	5,79			lb 6,61	

PRESSURE DROP CURVES



PANEL MOUNTING KIT

TYPE	DN	ØD	ØF	T MAX	E	ITEM CODE
LK6-M	mm 6	M20X1	32	2,7	6	FGI200101Z
	inch 1,26		0,24			
LK10-M	mm 10	M20X1	32	3,2	6	FGI200101Z
	inch 1,26		0,24			
LK13-M	mm 13	M20X1	32	2,2	6	FGI200101Z
	inch 1,26		0,24			
LK20-M	mm 20	M35X1,5	52	6,5	8	FGI251501Z
	inch 2,05		0,31			
LK25-M	mm 25	M35X1,5	52	6,6	8	FGI251501Z
	inch 2,05		0,31			





# VU

## CHECK VALVES

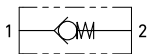
Edition. 21.1

### CS Carbon Steel

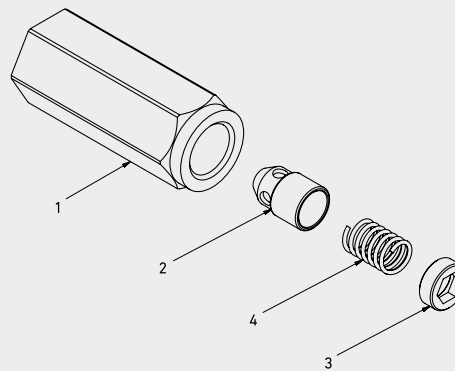
- Type: check valve
- Sizes: from DN6 up to DN50
- Ends: BSP-NPT-SAE
- Pressure: up to PN500
- Temp range: from -20°C to +100°C
- Treatment: Galvanized

### SS Stainless Steel

- Type: check valve
- Sizes: from DN6 up to DN50
- Ends: BSP-NPT-SAE
- Pressure: up to PN500
- Temp range: from -30°C to +100°C



### STANDARD COMPOSITION OF VALVE



POS	DESCRIPTION	Q.TY	CS	SS
			Carbon Steel	Stainless Steel
			MATERIAL	
1	Body	1	1,0737	1,4404
2	Poppet	1	1,4749	1,4305
3	Ring	1	1,0737	1,4305
4	Spring	1	1,0116	1,4310





## CODE DESCRIPTION STRUCTURE

**VU** | **G1/2** | **SS**

### Type and way of valve

VU check valves

### Ends

GAS DIN/ ISO 228 BSP	NPT ANSI /ASME B1.20.1	SAE J1926-1
G 1/4	N 1/4	SAE4
G 3/8	N 3/8	SAE6
G 1/2	N 1/2	SAE8
G 3/4	N 3/4	SAE12
G 1	N 1	SAE16
G 1 1/4	N 1 1/4	
G 1 1/2	N 1 1/2	
G 2	N 2	

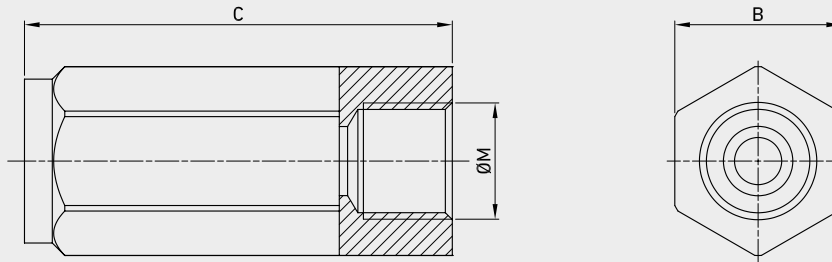
### Material

- CS carbon steel
- SS stainless steel

\*On request

- Special threads
- Pressure class up to PN500
- Spring closed: from 1BAR up to 8BAR

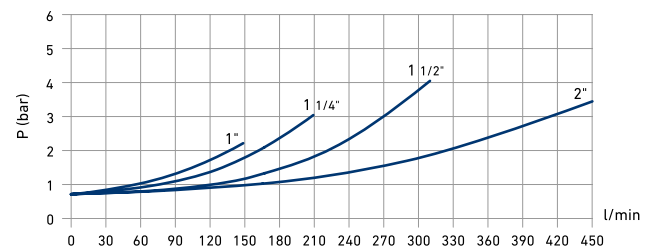
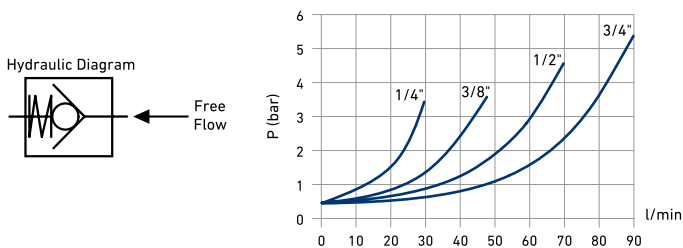
*For further special requests please consult our technical/commercial service.*



VU DIN ISO 228 BSP GAS

TYPE	DN	PN	MAX FLOW L/m	CRACKING PRESSURE	B	C	ØM	WEIGHT	CS	SS
									Carbon Steel	Stainless Steel
ITEM CODE										
VU G 1/4	6	MPa 50	15	MPa 0,04 0,07	mm 19	62	G 1/4	kg 0,11	GC2GGT150110000	GC2GGT150440000
		Psi 7250		Psi 5,8 10,15				lb 0,24		
VU G 3/8	10	MPa 50	30	MPa 0,04 0,07	mm 24	68	G 3/8	kg 0,2	GC2GGT250110000	GC2GGT250440000
		Psi 7250		Psi 5,8 10,15				lb 0,44		
VU G 1/2	13	MPa 50	50	MPa 0,04 0,07	mm 30	77	G 1/2	kg 0,35	GC2GGT350110000	GC2GGT350440000
		Psi 7250		Psi 5,8 10,15				lb 0,77		
VU G 3/4	20	MPa 42	90	MPa 0,04 0,07	mm 36	88	G 3/4	kg 0,53	GC2GGT440110000	GC2GGT440440000
		Psi 6090		Psi 5,8 10,15				lb 1,17		
VU G 1	25	MPa 42	150	MPa 0,04 0,07	mm 41	105	G 1	kg 0,75	GC2GGT530110000	GC2GGT530440000
		Psi 6090		Psi 5,8 10,15				lb 1,65		
VU G 1 1/4	32	MPa 35	200	MPa 0,04 0,07	mm 55	135	G 1 1/4	kg 1,81	GC2GGT630110000	GC2GGT630440000
		Psi 5075		Psi 5,8 10,15				lb 3,99		
VU G 1 1/2	40	MPa 35	300	MPa 0,04 0,07	mm 60	145	G 1 1/2	kg 2,2	GC2GGT730110000	GC2GGT730440000
		Psi 5075		Psi 5,8 10,15				lb 4,85		
VU G 2	50	MPa 35	430	MPa 0,04 0,07	mm 75	175	G 2	kg 4,17	GC2GGT830110000	GC2GGT830440000
		Psi 5075		Psi 5,8 10,15				lb 9,19		

PRESSURE DROP CURVES



**VU ANSI/ASME B1.20.1 NPT**

											CS Carbon Steel	SS Stainless Steel
TYPE	DN	PN	MAX FLOW L/m	CRACKING PRESSURE			B	C	ØM	WEIGHT	ITEM CODE	
VU N 1/4	6	MPa 50	15	MPa 0,04	0,07	mm 19	62	N 1/4		kg 0,11	GC2NNT150110000	GC2NNT150440000
		Psi 7250		Psi 5,8	10,15	inch 2,44	lb 0,24					
VU N 3/8	10	MPa 50	30	MPa 0,04	0,07	mm 24	68	N 3/8		kg 0,2	GC2NNT250110000	GC2NNT250440000
		Psi 7250		Psi 5,8	10,15	inch 2,68	lb 0,44					
VU N 1/2	13	MPa 50	50	MPa 0,04	0,07	mm 30	77	N 1/2		kg 0,35	GC2NNT350110000	GC2NNT350440000
		Psi 7250		Psi 5,8	10,15	inch 3,03	lb 0,77					
VU N 3/4	20	MPa 42	90	MPa 0,04	0,07	mm 36	88	N 3/4		kg 0,53	GC2NNT440110000	GC2NNT440440000
		Psi 6090		Psi 5,8	10,15	inch 3,46	lb 1,17					
VU N 1	25	MPa 42	150	MPa 0,04	0,07	mm 41	105	N 1		kg 0,75	GC2NNT530110000	GC2NNT530440000
		Psi 6090		Psi 5,8	10,15	inch 4,13	lb 1,65					
VU N 1 1/4	32	MPa 35	200	MPa 0,04	0,07	mm 55	135	N 1 1/4		kg 1,81	GC2NNT630110000	GC2NNT630440000
		Psi 5075		Psi 5,8	10,15	inch 5,31	lb 3,99					
VU N 1 1/2	40	MPa 35	300	MPa 0,04	0,07	mm 60	145	N 1 1/2		kg 2,2	GC2NNT730110000	GC2NNT730440000
		Psi 5075		Psi 5,8	10,15	inch 5,71	lb 4,85					
VU N 2	50	MPa 35	430	MPa 0,04	0,07	mm 75	175	N 2		kg 4,17	GC2NNT830110000	GC2NNT830440000
		Psi 5075		Psi 5,8	10,15	inch 6,89	lb 9,19					

**VU SAE J1926-1**

											CS Carbon Steel	SS Stainless Steel
TYPE	DN	PN	MAX FLOW L/m	CRACKING PRESSURE			B	C	ØM	WEIGHT	ITEM CODE	
VU SAE4	6	MPa 50	15	MPa 0,04	0,07	mm 19	62	N 1/4		kg 0,11	GC2EEE050110000	GC2EEE050440000
		Psi 7250		Psi 5,8	10,15	inch 2,44	lb 0,24					
VU SAE6	10	MPa 50	30	MPa 0,04	0,07	mm 24	68	N 3/8		kg 0,2	GC2EEE150110000	GC2EEE150440000
		Psi 7250		Psi 5,8	10,15	inch 2,68	lb 0,44					
VU SAE8	13	MPa 50	50	MPa 0,04	0,07	mm 30	77	N 1/2		kg 0,35	GC2EEE250110000	GC2EEE250440000
		Psi 7250		Psi 5,8	10,15	inch 3,03	lb 0,77					
VU SAE12	20	MPa 42	90	MPa 0,04	0,07	mm 36	88	N 3/4		kg 0,53	GC2EEE340110000	GC2EEE340440000
		Psi 6090		Psi 5,8	10,15	inch 3,46	lb 1,17					
VU SAE16	25	MPa 42	150	MPa 0,04	0,07	mm 41	105	N 1		kg 0,75	GC2EEE430110000	GC2EEE430440000
		Psi 6090		Psi 5,8	10,15	inch 4,13	lb 1,65					



# VUF/VUS

## CHECK VALVE (WITH FLANGES)

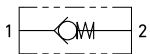
Edition. 21.0

### CS Carbon Steel

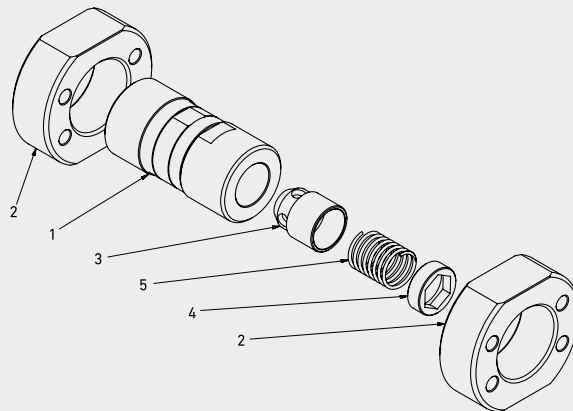
- Type: check valve
- Sizes: from DN13 up to DN50
- Ends: SAE
- Pressure: up to PN420
- Temp range: -20°C to +100°C

### SS Stainless Steel

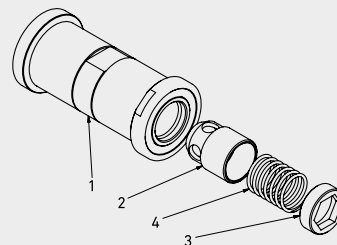
- Type: check valve
- Sizes: from DN13 up to DN50
- Ends: SAE
- Pressure: up to PN420
- Temp range: -30°C to +100°C



### STANDARD COMPOSITION OF VALVE



### VUF



### VUS



VUF



VUS

CODE DESCRIPTION STRUCTURE

VUF/VUS	1/2	CS
---------	-----	----

Type and way of valve

VU check valves

Ends

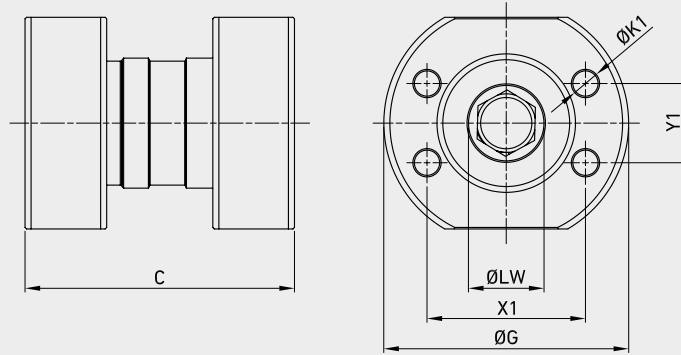
VUF	VUS	VUS
SAE J518	SAE J518	SAE J518
S6000-F62	S3000-C61	S6000-C62
1/2	1/2	1/2
3/4	3/4	3/4
1	1	1
1 1/4	1 1/4	1 1/4
1 1/2	1 1/2	1 1/2
2	2	2

Body Material

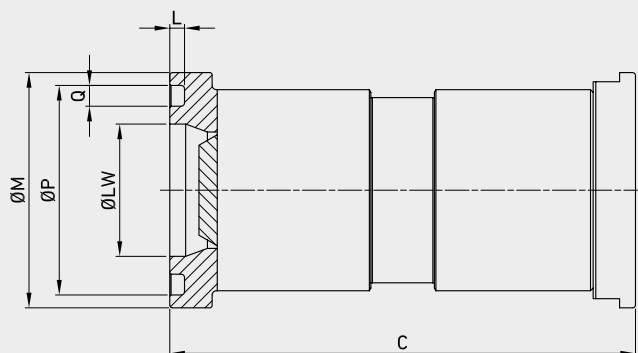
- CS carbon steel
- SS stainless steel

POS	DESCRIPTION	Q.TY	CS	SS
			Carbon Steel	Stainless Steel
MATERIAL				
1	Body	1	1,0737	1,4404
2	Flange*	2*	1,0737	1,4404
3	Poppet	1	1,4749	1,4305
4	Ring	1	1,0737	1,4305
5	Spring	1	1,0116	1,4310

\* Flanges to be considered only in VUF serie


**VU SAE J518 S6000-F62**

TYPE	DN	PN		A		C	ØG	X1	Y1	ØK1	ØLW	WEIGHT		CS	SS
		MPa	Psi	mm	inch							kg	lb	Carbon Steel	Stainless Steel
														ITEM CODE	
VUF 1/2 F62	13	MPa	42	mm	48	70	56	38,1	17,5	M8X1,25	13	kg	1,027	GC2FFC6G0110000	GC2FFC6G0440000
		Psi	6090	inch	1,89	2,76	2,20	1,50	0,69		5,42	lb	2,26		
VUF 3/4 F62	20	MPa	42	mm	60	77	72	50,8	23,8	M10X1,5	19	kg	1,419	GC2FFC7G0110000	GC2FFC7G0440000
		Psi	6090	inch	2,36	3,03	2,83	2,00	0,94		0,75	lb	3,13		
VUF 1 F62	25	MPa	42	mm	70	89	81	52,4	26,2	M10X1,5	25	kg	2,214	GC2FFC8G0110000	GC2FFC8G0440000
		Psi	6090	inch	2,76	3,50	3,19	2,06	1,03		0,98	lb	4,88		
VUF 1 1/4 F62	32	MPa	42	mm	78	115	105	58,7	30,2	M10X1,5	32	kg	4	GC2FFC9G0110000	GC2FFC9G0440000
		Psi	6090	inch	3,07	4,53	4,13	2,31	1,19		1,26	lb	8,82		
VUF 1 1/2 F62	40	MPa	42	mm	96	120	120	69,8	35,7	M12X1,75	38	kg	5,4	GC2FFCAG0110000	GC2FFCAG0440000
		Psi	6090	inch	3,78	4,72	4,72	2,75	1,41		1,50	lb	11,90		
VUF 2 F62	50	MPa	42	mm	145	170	145	96,78	44,49	M20X2,5	48	kg	9,9	GC2FFCBG0110000	GC2FFCBG0440000
		Psi	6090	inch	5,71	6,69	5,71	3,81	1,75		1,89	lb	19,84		


**VU SAE J518 S3000-C61**

TYPE	DN	PN		L		C	ØM	ØP	Q	ØLW	WEIGHT	CS	SS	
												Carbon Steel	Stainless Steel	
												ITEM CODE		
VUS 1/2 C61	13	MPa	42	mm	2,79	67	30,2	25,4	3,94	13	kg	0,18	GC2SSC0G0110000	GC2SSC0G0440000
		Psi	6090	inch	0,11	2,64	1,19	1,00	0,16	5,42	lb	0,40		
VUS 3/4 C61	20	MPa	42	mm	2,79	80	38,1	31,75	3,94	19	kg	0,885	GC2SSC1G0110000	GC2SSC1G0440000
		Psi	6090	inch	0,11	3,15	1,50	1,25	0,16	0,75	lb	1,95		
VUS 1 C61	25	MPa	42	mm	2,79	88	44,15	39,62	3,94	25	kg	1	GC2SSC2G0110000	GC2SSC2G0440000
		Psi	6090	inch	0,11	3,46	1,74	1,56	0,16	0,98	lb	2,20		
VUS 1 1/4 C61	32	MPa	42	mm	2,79	96	50,8	44,45	3,94	31	kg	1,1	GC2SSC3G0110000	GC2SSC3G0440000
		Psi	6090	inch	0,11	3,78	2,00	1,75	0,16	1,22	lb	2,43		
VUS 1 1/2 C61	40	MPa	42	mm	2,79	125	60,33	53,72	3,94	37	kg	1,2	GC2SSC4G0110000	GC2SSC4G0440000
		Psi	6090	inch	0,11	4,92	2,38	2,11	0,16	1,46	lb	2,65		
VUS 2 C61	50	MPa	42	mm	2,79	146	71,42	63,25	3,94	47	kg	2,3	GC2SSC5G0110000	GC2SSC5G0440000
		Psi	6090	inch	0,11	5,75	2,81	2,49	0,16	1,85	lb	5,07		

**VU SAE J518 S6000-C62**

TYPE	DN	PN		L		C	ØM	ØP	Q	ØLW	WEIGHT	CS	SS	
												Carbon Steel	Stainless Steel	
												ITEM CODE		
VUS 1/2 C62	13	MPa	42	mm	2,79	67	31,75	25,4	3,94	13	kg	0,239	GC2SSC6G0110000	GC2SSC6G0440000
		Psi	6090	inch	0,11	2,64	1,25	1,00	0,16	5,42	lb	0,53		
VUS 3/4 C62	20	MPa	42	mm	2,79	80	41,3	31,75	3,94	19	kg	0,54	GC2SSC7G0110000	GC2SSC7G0440000
		Psi	6090	inch	0,11	3,15	1,63	1,25	0,16	0,75	lb	1,19		
VUS 1 C62	25	MPa	42	mm	2,79	90	47,63	39,62	3,94	25	kg	0,6	GC2SSC8G0110000	GC2SSC8G0440000
		Psi	6090	inch	0,11	3,54	1,88	1,56	0,16	0,98	lb	1,32		
VUS 1 1/4 C61	32	MPa	42	mm	2,79	99	54	44,45	3,94	31	kg	0,9	GC2SSC9G0110000	GC2SSC9G0440000
		Psi	6090	inch	0,11	3,90	2,13	1,75	0,16	1,22	lb	1,98		
VUS 1 1/2 C61	40	MPa	42	mm	2,79	130	63,5	53,72	3,94	37	kg	1,5	GC2SSCAG0110000	GC2SSCAG0440000
		Psi	6090	inch	0,11	5,12	2,50	2,11	0,16	1,46	lb	3,30		
VUS 2 C61	50	MPa	42	mm	2,79	150,6	79,4	63,25	3,94	47	kg	3,15	GC2SSCBG0110000	GC2SSCBG0440000
		Psi	6090	inch	0,11	5,93	3,13	2,49	0,16	1,85	lb	6,94		



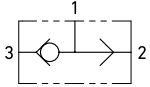
# GEV

## SHUTTLE VALVES

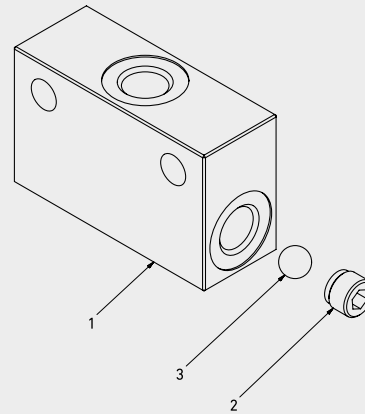
Edition. 21.2

### CS Carbon Steel

- Type: shuttle valve 3 way
- Sizes: from DN6 up to DN25
- Ends: BSP-NPT-SAE
- Pressure: up to PN500
- Temp range: from -20°C to +100°C
- Treatment: Galvanized



### STANDARD COMPOSITION OF VALVE



POS	DESCRIPTION	Q.TY	CS Carbon Steel MATERIAL
1	Body	1	1,0737
2	Adapter	1	1,0737
3	Ball	1	UNI3545





## CODE DESCRIPTION STRUCTURE

**GEV** **G1/2** **DN13** **1**

**Type and way of valve**

GEV 3-way

**Ends**

GAS DIN/ ISO 228 BSP	NPT ANSI /ASME B1.20.1
G 1/4	N 1/4
G 3/8	N 3/8
G 1/2	N 1/2
G 3/4	N 3/4
G 1	N 1

**Nominal dimension**

- DN6
- DN10
- DN13
- DN20
- DN25

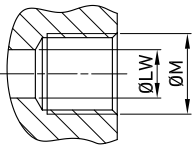
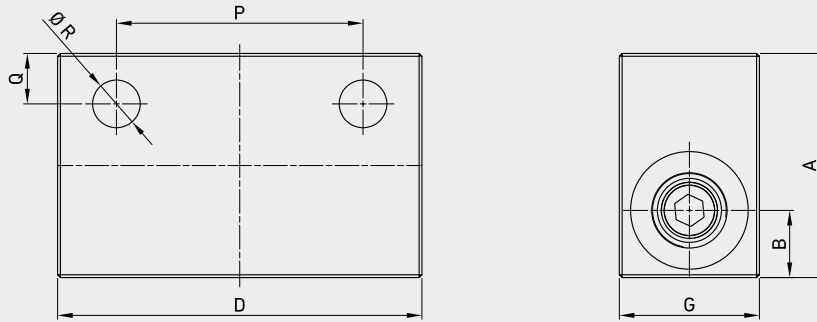
**Body Material**

- 1 = 1.0737

\*On request

- Reduced bore
- Special threads
- Pressure class up to PN25 Mpa

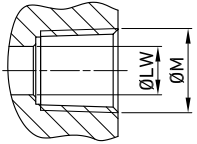
*For further special requests please consult our technical/commercial service.*



GEV DIN/ISO 228 BSP

CS  
Carbon Steel

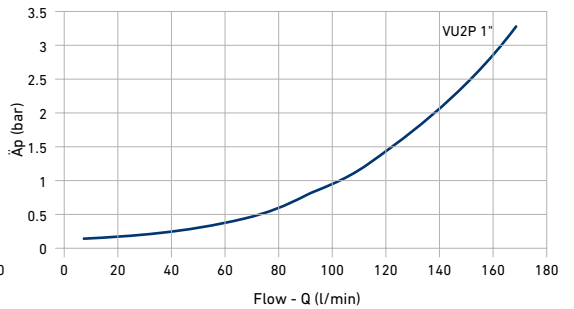
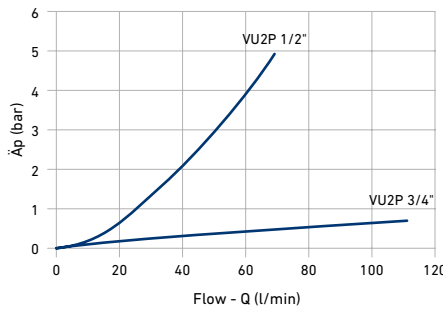
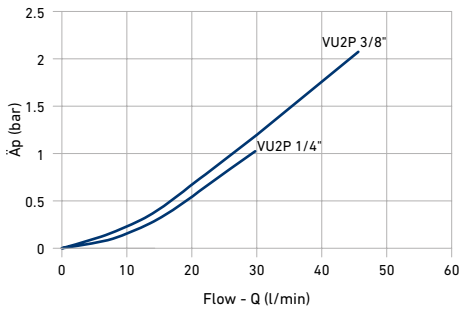
TYPE	DN	PN	A	B	D	G	ØM	P	Q	ØR	ØLW	WEIGHT	ITEM CODE
GEV G 1/4	6	MPa 50	mm 40	12	65	25	G 1/4	44	9	8,5	5	kg 0,43	GEVGGT120110000
		Psi 7250	inch 1,57	0,47	2,56	0,98		1,73	0,35	0,33	0,20	lb 0,95	
GEV G 3/8	10	MPa 50	mm 40	12	65	25	G 3/8	44	9	8,5	7,5	kg 0,40	GEVGGT220110000
		Psi 7250	inch 1,57	0,47	2,56	0,98		1,73	0,35	0,33	0,30	lb 0,88	
GEV G 1/2	13	MPa 50	mm 57	18	76	30	G 1/2	44	12	8,5	11	kg 0,82	GEVGGT320110000
		Psi 7250	inch 2,24	0,71	2,99	1,18		1,73	0,47	0,33	0,43	lb 1,81	
GEV G 3/4	20	MPa 50	mm 65	22	85	40	G 3/4	44	12	8,5	15	kg 1,38	GEVGGT420110000
		Psi 7250	inch 2,56	0,87	3,35	1,57		1,73	0,47	0,33	0,59	lb 3,04	
GEV G 1	25	MPa 50	mm 65	22	95	40	G1	60	11	10,5	21	kg 1,30	GEVGGT520110000
		Psi 7250	inch 2,56	0,87	3,74	1,57		2,36	0,43	0,41	0,83	lb 2,87	



**GEV ANSI/ASME B1.20.1 NPT**

													CS Carbon Steel			
TYPE	DN	PN		A	B	D	G	ØM	P	Q	ØR	ØLW	WEIGHT	ITEM CODE		
GEVN 1/4	6	MPa	50	mm	40	12	65	25	N 1/4	44	9	8,5	5	kg	0,43	GEVNNT120110000
		Psi	7250	inch	1,57	0,47	2,56	0,98		1,73	0,35	0,33	0,20	lb	0,95	
GEVN 3/8	10	MPa	50	mm	40	12	65	25	N 3/8	44	9	8,5	7,5	kg	0,40	GEVNNT220110000
		Psi	7250	inch	1,57	0,47	2,56	0,98		1,73	0,35	0,33	0,30	lb	0,88	
GEVN 1/2	13	MPa	50	mm	57	18	76	30	N 1/2	44	12	8,5	11	kg	0,82	GEVNNT320110000
		Psi	7250	inch	2,24	0,71	2,99	1,18		1,73	0,47	0,33	0,43	lb	1,81	
GEVN 3/4	20	MPa	50	mm	65	22	85	40	N 3/4	44	12	8,5	15	kg	1,38	GEVNNT420110000
		Psi	7250	inch	2,56	0,87	3,35	1,57		1,73	0,47	0,33	0,59	lb	3,04	
GEVN 1	25	MPa	50	mm	65	22	95	40	N 1	60	11	10,5	21	kg	1,30	GEVNNT520110000
		Psi	7250	inch	2,56	0,87	3,74	1,57		2,36	0,43	0,41	0,83	lb	2,87	

**PRESSURE DROP CURVES**





# GPS

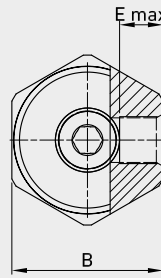
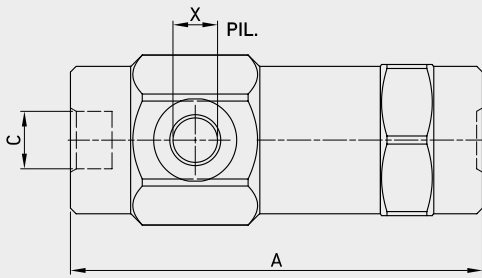
## 3 WAYS SINGLE PILOT OPERATED CHECK VALVES

Edition. 21.0

### CS Carbon Steel

- Type: 3-ways single pilot operated check valves with zincplated steel body
- Sizes: from DN6 up to DN25
- Ends: BSP
- O-Rings: NBR
- Pressure: up to PN400
- Temp range: from -20°C to +100°C
- Treatment: Galvanized





CODE DESCRIPTION STRUCTURE

**GPS G1/4 2,5 V**

Type and way of valve

GPS

Port size

- G 1/4
- G 3/8
- G 1/2
- G 3/4
- G 1

Cracking pressure

- 2,5
- 5
- 3
- 0,5
- 1

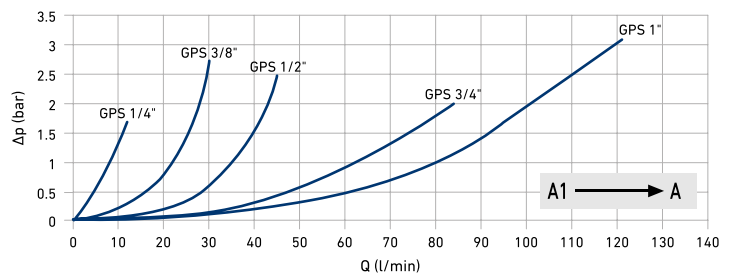
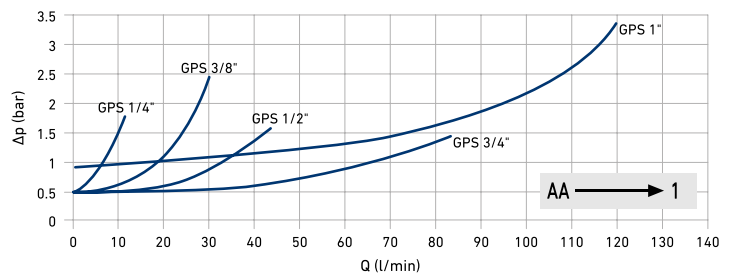
Seals hole

NBR

\*On request  
• 8 Bar spring

PRESSURE DROP CURVES

Oil viscosity 24 mm/sec. (3,5°E)  
Temperature 50° C



GPS

TYPE	MAX FLOW l/min	MAX PRESSURE	CRACKING PRESSURE		A	B	E	C BSPP	X BSPP	PILOT RATIO	WEIGHT	CS
												Carbon Steel
												ITEM CODE
GPS G 1/4	12	MPa 40	0,25	mm 103	36	11					kg 0,650	G550202A01AARAA
		Psi 5800	36,25	inch 4,06	1,42	0,43		1/4	1/4	1:9	lb 1,43	
GPS G 3/8	30	MPa 40	0,5	mm 109	40	11,5					kg 0,820	G550203A01AARAA
		Psi 5800	72,5	inch 4,29	1,57	0,45		3/8	1/4	1:6	lb 1,81	
GPS G 1/2	45	MPa 35	0,3	mm 120	42	11					kg 0,960	G550204A01AAPAA
		Psi 5075	43,5	inch 4,72	1,65	0,43		1/2	1/4	1:4,5	lb 2,12	
GPS G 3/4	85	MPa 35	0,05	mm 131	55	14					kg 1,950	G550205A01AAPAA
		Psi 5075	7,25	inch 5,16	2,17	0,55		3/4	1/4	1:3,7	lb 4,30	
GPS G 1	120	MPa 35	0,1	mm 165	55	14					kg 2,350	G550206A01AAPAA
		Psi 5075	14,5	inch 6,50	2,17	0,55		1	1/4	1:3,5	lb 5,18	



# VB VUBA

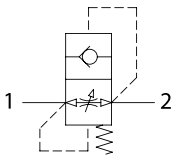
## HOSE BREAK VALVE

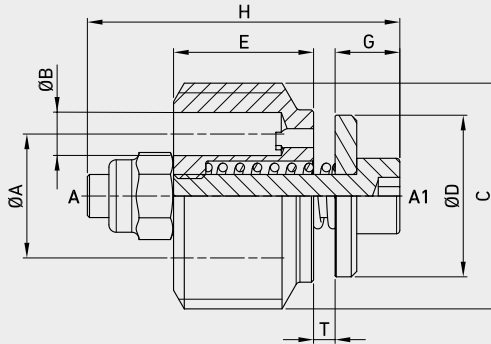
Edition. 21.0

### CS Carbon Steel

- Type: hose break valve
- Sizes: from DN6 up to DN25
- Ends: BSP-NPT-SAE
- Pressure: up to PN350
- Temp range: from -20°C to +100°C
- Treatment: Galvanized

VBF Female insert  
VBF Male insert





CODE DESCRIPTION STRUCTURE

**VB G3/8 T0,5 F0,5**

Type and way of valve

VB

Ends

GAS DIN/  
ISO 228  
BSP

- G 1/4
- G 3/8
- G 1/2
- G 3/4
- G 1

Setting

0,25 > 4,25

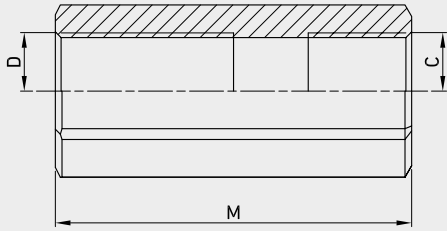
F (throttling hole\*)

		ø min	ø max
VB G 1/4	mm	0,50	1,00
	inch	0,02	0,04
VB G 3/8	mm	0,50	1,25
	inch	0,02	0,05
VB G 1/2	mm	0,50	1,50
	inch	0,02	0,06
VB G 3/4	mm	0,50	2,50
	inch	0,02	0,10
VB G 1	mm	0,50	3,00
	inch	0,02	0,12

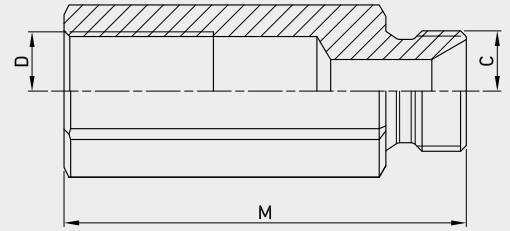
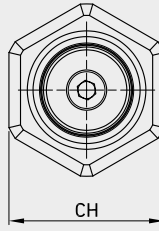
\* omit if not requested

VB VALVE

TYPE	FLOW min-max l/min	ØA		ØB	C	ØD		E	G	H	WEIGHT	CS Carbon Steel	
		mm	inch			mm	inch					ITEM CODE	
VB G 1/4	8-25	mm	8,5	2,4	1/4	9,5	8	5,0	23	kg	0,0065	G540102A01AAPAA	
		inch	0,33	0,09		0,37	0,31	0,20	0,91				
VB G 3/8	16-50	mm	11	3,5	3/8	12,5	11	5,0	23	kg	0,0125	G540103A01AAPAA	
		inch	0,43	0,14		0,49	0,43	0,20	0,91				
VB G 1/2	25-80	mm	13	4,5	1/2	15,0	13	6,0	29	kg	0,0235	G540104A01AAPAA	
		inch	0,51	0,18		0,59	0,51	0,24	1,14				
VB G 3/4	50-150	mm	16	6	3/4	18,5	18	6,0	34	kg	0,0460	G540105A01AAPAA	
		inch	0,63	0,24		0,73	0,71	0,24	1,34				
VB G 1	70-200	mm	20	7	1	23,0	21	7,5	40	kg	0,0945	G540106A01AAPAA	
		inch	0,79	0,28		0,91	0,83	0,30	1,57				



VBF Female housing



VBM Male housing

VBF Female housing

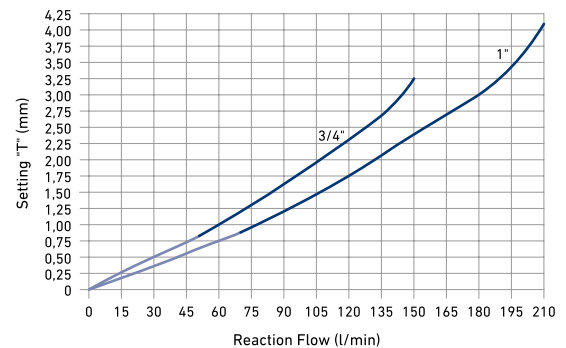
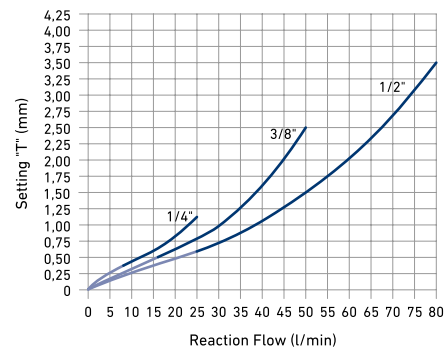
							CS Carbon Steel
TYPE	CS	C-D	B	M	WEIGHT	Q (L/1')	ITEM CODE
VBF G 1/4	1/4	G 1/4	mm 19	48	kg 0,01	28	C01AA03583A010Z
			inch 0,75	1,89	lb 0,02		
VBF G 3/8	3/8	G 3/8	mm 22	52	kg 0,01	50	C01AA03584A010Z
			inch 0,87	2,05	lb 0,02		
VBF G 1/2	1/2	G 1/2	mm 27	60	kg 0,02	85	C01AA03585A010Z
			inch 1,06	2,36	lb 0,04		
VBF G 3/4	3/4	G 3/4	mm 36	72	kg 0,05	150	C01AA03586A010Z
			inch 1,42	2,83	lb 0,11		
VBF G 1	1	G 1	mm 46	85	kg 0,09	180	C01AA03587A010Z
			inch 1,81	3,35	lb 0,20		

VBM Male housing

							CS Carbon Steel
TYPE	CS	C-D	B	M	WEIGHT	Q (L/1')	ITEM CODE
VBM G 1/4	1/4	G 1/4	mm 19	48	kg 0,01	28	C01AA03578A010Z
			inch 0,75	1,89	lb 0,02		
VBM G 3/8	3/8	G 3/8	mm 22	58	kg 0,01	50	C01AA03579A010Z
			inch 0,87	2,28	lb 0,02		
VBM G 1/2	1/2	G 1/2	mm 27	65	kg 0,02	85	C01AA03580A010Z
			inch 1,06	2,56	lb 0,04		
VBM G 3/4	3/4	G 3/4	mm 36	78	kg 0,05	150	C01AA03581A010Z
			inch 1,42	3,07	lb 0,11		
VBM G 1	1	G 1	mm 46	85	kg 0,09	180	C01AA03582A010Z
			inch 1,81	3,35	lb 0,20		

PRESSURE DROP CURVES

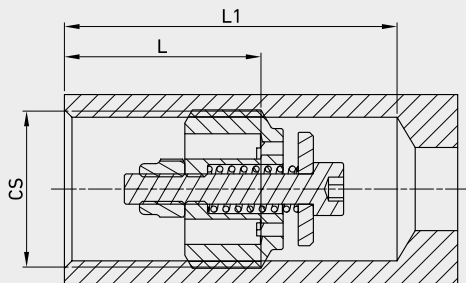
For actuator moved by directional control valve, the reaction flow has to be calculated multiply the nominal flow by 1.5 and by 2 for actuator moved by solenoid operated directional control valve. It is normal to set the reaction flow 1,5 times the rate flow of the system. If not required, the setting of "T" will be supplied at the maximum value.



Warning

the setting values indicated in this diagram are indicative, for any setting value of "T", the reaction flow can change by ±10 % and beyond based on the features of the equipment in which they are installed.




**Applications**

Screw in the valve connecting 1 to the pressure flow and 2 to the actuator. The use together with flow control valve is recommended.

**VB + VBF Assembled (Female-Female)**

TYPE	FLOW min-max l/min	MAX PRESSURE	T	CS	CAVITY		ITEM CODE	
					L	L1		
VB G 1/4	8-25	35 MPa 5075 PSI	see diagram	1/4	mm	24,2	35,2	G480202A0100PAA
					inch	0,95	1,39	
VB G 3/8	16-50	35 MPa 5075 PSI	see diagram	3/8	mm	26,2	37,1	G480203A0100PAA
					inch	1,03	1,46	
VB G 1/2	25-80	35 MPa 5075 PSI	see diagram	1/2	mm	30,3	45,2	G480204A0100PAA
					inch	1,19	1,78	
VB G 3/4	50-150	35 MPa 5075 PSI	see diagram	3/4	mm	38,1	54,2	G480205A0100PAA
					inch	1,50	2,13	
VB G 1	70-200	35 MPa 5075 PSI	see diagram	1	mm	46,2	66,1	G480206A0100PAA
					inch	1,82	2,60	

**VB + VBM Assembled (Male-Female)**

TYPE	FLOW min-max l/min	MAX PRESSURE	T	CS	CAVITY		ITEM CODE	
					L	L1		
VB G 1/4	8-25	35 MPa 5075 PSI	see diagram	1/4	mm	24,2	35,2	G580302A0100PAA
					inch	0,95	1,39	
VB G 3/8	16-50	35 MPa 5075 PSI	see diagram	3/8	mm	26,2	37,1	G580303A0100PAA
					inch	1,03	1,46	
VB G 1/2	25-80	35 MPa 5075 PSI	see diagram	1/2	mm	30,3	45,2	G580304A0100PAA
					inch	1,19	1,78	
VB G 3/4	50-150	35 MPa 5075 PSI	see diagram	3/4	mm	38,1	54,2	G580305A0100PAA
					inch	1,50	2,13	
VB G 1	70-200	35 MPa 5075 PSI	see diagram	1	mm	46,2	66,1	G580306A0100PAA
					inch	1,82	2,60	



# GSJ

## SWIVEL JOINTS

Edition. 21.1

### CS Carbon Steel

- Type: swivel joint in line
- Sizes: from DN6 up to DN32
- Ends: BSP- NPT- SAE (on request)
- Pressure: up to PN420
- Temp range: from -40°C to +100°C
- Treatment: Zinc-Nickel



**CODE DESCRIPTION STRUCTURE**



**Type and way of valve**

GSJ swivel joint

**In line**

90° (on request)

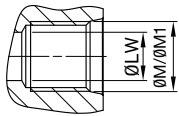
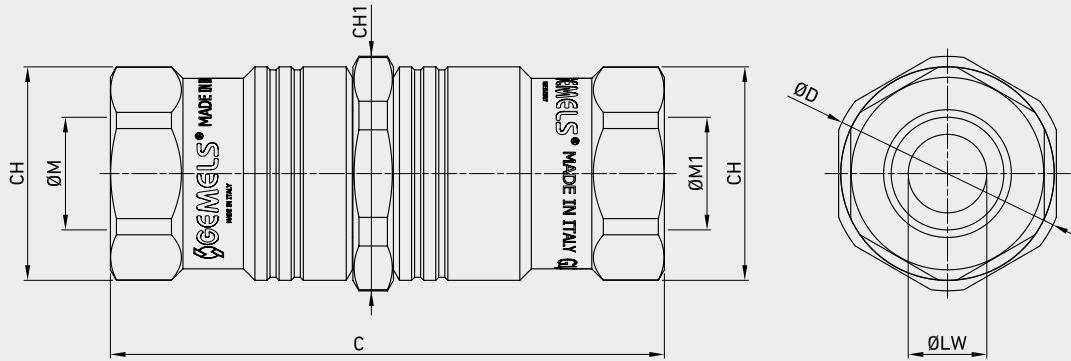
**Ends**

GAS	ISO	ANSI/ASME	SAE
DIN/ISO	8434-6	B1.20.1	J1926-1
228 BSP	BSPP	NPT	
G 1/4	G 1/4	N 1/4	SAE4
G 3/8	G 3/8	N 3/8	SAE6
G 1/2	G 1/2	N 1/2	SAE8
G 3/4	G 3/4	N 3/4	SAE12
G 1	G 1	N 1	SAE16
G 1 1/4	G 1 1/4	N 1 1/4	SAE20

**Material**

- CS carbon steel



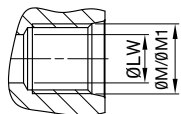


**GSJ - IN LINE ISO 1179-1 BSPP**

FEMALE X FEMALE

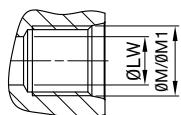
CS  
Carbon Steel

TYPE	DN	MAX WORKING PRESSURE		ØM	ØM1	C	ØD	ØLW	CH	CH1	WEIGHT		ITEM CODE	
GSJ IN LINE G1/4	6	MPa	42	G 1/4	G 1/4	mm	84	31	6	24	28	kg	0,39	NSJ3G010000
		Psi	6090			inch	3,31	1,22	0,24	0,94	1,10	lb	0,86	
GSJ IN LINE G3/8	10	MPa	42	G 3/8	G 3/8	mm	85	38	10	30	34	kg	0,45	NSJ3G020000
		Psi	6090			inch	3,35	1,50	0,39	1,18	1,34	lb	0,99	
GSJ IN LINE G1/2	13	MPa	42	G 1/2	G 1/2	mm	88,5	39	13	32	36	kg	0,51	NSJ3G030000
		Psi	6090			inch	3,48	1,54	0,51	1,26	1,42	lb	1,12	
GSJ IN LINE G3/4	20	MPa	42	G 3/4	G 3/4	mm	100	46	17	36	41	kg	0,85	NSJ3G040000
		Psi	6090			inch	3,94	1,81	0,67	1,42	1,61	lb	1,87	
GSJ IN LINE G1	25	MPa	42	G 1	G 1	mm	108	47,5	22	41	45	kg	0,9	NSJ3G050000
		Psi	6090			inch	4,25	1,87	0,87	1,61	1,77	lb	1,98	
GSJ IN LINE G1 1/4	32	MPa	42	G 1 1/4	G 1 1/4	mm	120	58	26	50	55	kg	1,24	NSJ3G060000
		Psi	6090			inch	4,72	2,28	1,02	1,97	2,17	lb	2,73	


**GSJ - IN LINE ANSI/ASME B1.20.1 NPT**

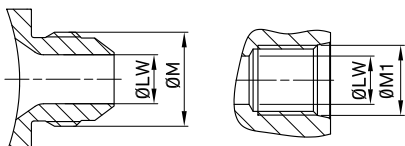
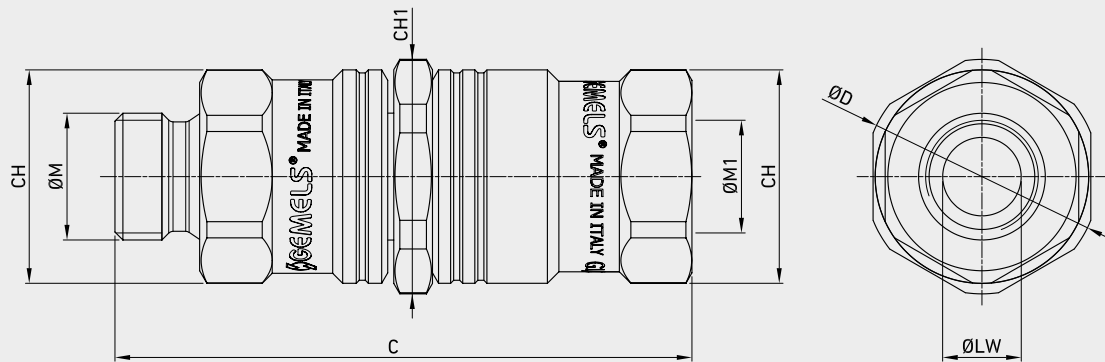
FEMALE X FEMALE

TYPE	DN	MAX WORKING PRESSURE		ØM	ØM1	C	ØD	ØLW	CH	CH1	WEIGHT		ITEM CODE
GSJ IN LINE N1/4	6	MPa	42	N 1/4	N 1/4	mm	85	31	6	24	28	kg	0,39
		Psi	6090			inch	3,35	1,22	0,24	0,94	1,10	lb	0,86
GSJ IN LINE N3/8	10	MPa	42	N 3/8	N 3/8	mm	85	38	10	30	34	kg	0,45
		Psi	6090			inch	3,35	1,50	0,39	1,18	1,34	lb	0,99
GSJ IN LINE N1/2	13	MPa	42	N 1/2	N 1/2	mm	93	39	13	32	36	kg	0,51
		Psi	6090			inch	3,66	1,54	0,51	1,26	1,42	lb	1,12
GSJ IN LINE N3/4	20	MPa	42	N 3/4	N 3/4	mm	97	46	17	36	41	kg	0,85
		Psi	6090			inch	3,82	1,81	0,67	1,42	1,61	lb	1,87
GSJ IN LINE N1	25	MPa	42	N 1	N 1	mm	104	47,5	22	41	45	kg	0,9
		Psi	6090			inch	4,09	1,87	0,87	m	1,77	lb	1,98
GSJ IN LINE N1 1/4	32	MPa	42	N 1 1/4	N 1 1/4	mm	112	58	26	50	55	kg	1,24
		Psi	6090			inch	4,41	2,28	1,02	1,97	2,17	lb	2,73


**GSJ- IN LINE SAE J1926-1**

FEMALE X FEMALE

TYPE	DN	MAX WORKING PRESSURE		ØM	ØM1	C	ØD	ØLW	CH	CH1	WEIGHT		ITEM CODE
GSJ IN LINE SAE4	6	MPa	42	SAE4	SAE4	mm	84	31	6	24	28	kg	0,39
		Psi	6090			inch	3,31	1,22	0,24	0,94	1,10	lb	0,86
GSJ IN LINE SAE6	10	MPa	42	SAE6	SAE6	mm	85	38	10	30	34	kg	0,45
		Psi	6090			inch	3,35	1,50	0,39	1,18	1,34	lb	0,99
GSJ IN LINE SAE8	13	MPa	42	SAE8	SAE8	mm	88,5	39	13	32	36	kg	0,51
		Psi	6090			inch	3,48	1,54	0,51	1,26	1,42	lb	1,12
GSJ IN LINE SAE12	20	MPa	42	SAE12	SAE12	mm	105	46	17	36	41	kg	0,85
		Psi	6090			inch	4,13	1,81	0,67	1,42	1,61	lb	1,87
GSJ IN LINE SAE16	25	MPa	42	SAE16	SAE16	mm	106	47,5	22	41	45	kg	0,9
		Psi	6090			inch	4,17	1,87	0,87	1,61	1,77	lb	1,98
GSJ IN LINE SAE20	32	MPa	42	SAE20	SAE20	mm	120	58	26	50	55	kg	1,24
		Psi	6090			inch	4,72	2,28	1,02	1,97	2,17	lb	2,73



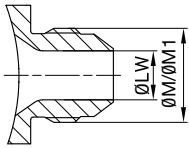
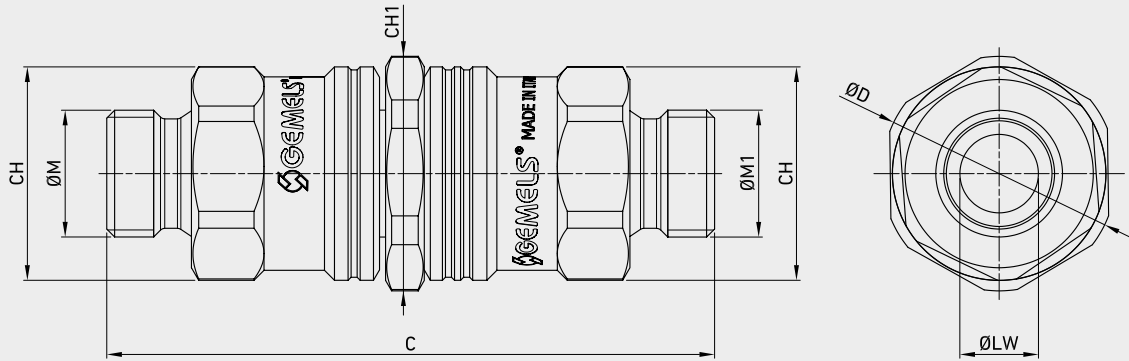
**GSJ - IN LINE ISO 8434-6 and ISO 1179-1 BSPP**

MALE X FEMALE

CS

Carbon Steel

TYPE	DN	MAX WORKING PRESSURE		ØM	ØM1	C	ØD	ØLW	CH	CH1	WEIGHT		ITEM CODE	
GSJ IN LINE G1/4	6	MPa	42	G 1/4	G 1/4	mm	86,5	31	6	24	28	kg	0,39	NSJ3C010000
		Psi	6090									lb	0,86	
GSJ IN LINE G3/8	10	MPa	42	G 3/8	G 3/8	mm	88	38	10	30	34	kg	0,45	NSJ3C020000
		Psi	6090									lb	0,99	
GSJ IN LINE G1/2	13	MPa	42	G 1/2	G 1/2	mm	95,5	39	13	32	36	kg	0,51	NSJ3C030000
		Psi	6090									lb	1,12	
GSJ IN LINE G3/4	20	MPa	42	G 3/4	G 3/4	mm	102	46	17	36	41	kg	0,85	NSJ3C040000
		Psi	6090									lb	1,87	
GSJ IN LINE G1	25	MPa	42	G 1	G 1	mm	109,5	47,5	22	41	45	kg	0,9	NSJ3C050000
		Psi	6090									lb	1,98	
GSJ IN LINE G1 1/4	32	MPa	42	G 1 1/4	G 1 1/4	mm	120	58	26	50	55	kg	1,24	NSJ3C060000
		Psi	6090									lb	2,73	



## GSJ - IN LINE ISO 8434-6

MALE X MALE

TYPE	DN	MAX WORKING PRESSURE		ØM	ØM1	C	ØD	ØLW	CH	CH1	WEIGHT	ITEM CODE		
		MPa	Psi											
GSJ IN LINE G1/4	6	MPa	42	G 1/4	G 1/4	mm	90	31	6	24	28	kg	0,39	NSJ3E010000
		Psi	6090			inch	3,54	1,22	0,24	0,94	1,10	lb	0,86	
GSJ IN LINE G3/8	10	MPa	42	G 3/8	G 3/8	mm	91	38	10	30	34	kg	0,45	NSJ3E020000
		Psi	6090			inch	3,58	1,50	0,39	1,18	1,34	lb	0,99	
GSJ IN LINE G1/2	13	MPa	42	G 1/2	G 1/2	mm	100,5	39	13	32	36	kg	0,51	NSJ3E030000
		Psi	6090			inch	3,96	1,54	0,51	1,26	1,42	lb	1,12	
GSJ IN LINE G3/4	20	MPa	42	G 3/4	G 3/4	mm	104	46	17	36	41	kg	0,85	NSJ3E040000
		Psi	6090			inch	4,09	1,81	0,67	1,42	1,61	lb	1,87	
GSJ IN LINE G1	25	MPa	42	G 1	G 1	mm	112	47,5	22	41	45	kg	0,9	NSJ3E050000
		Psi	6090			inch	4,41	1,87	0,87	1,61	1,77	lb	1,98	
GSJ IN LINE G1 1/4	32	MPa	42	G 1 1/4	G 1 1/4	mm	120	58	26	50	55	kg	1,24	NSJ3E060000
		Psi	6090			inch	4,72	2,28	1,02	1,97	2,17	lb	2,73	



# SJ

## SWIVEL JOINTS

Edition. 21.1

### CS Carbon Steel

- Type: swivel joint / at 90°
- Sizes: from DN6 up to DN50
- Ends: BSP- NPT (on request)
- Pressure: up to PN400
- Temp range: from -20°C to +80°C
- Treatment: Galvanized





**CODE DESCRIPTION STRUCTURE**

SJ	10	G1/2	CS
----	----	------	----

**Type and way of valve**

SJ swivel joint

10 line  
90 90°

**Ends**

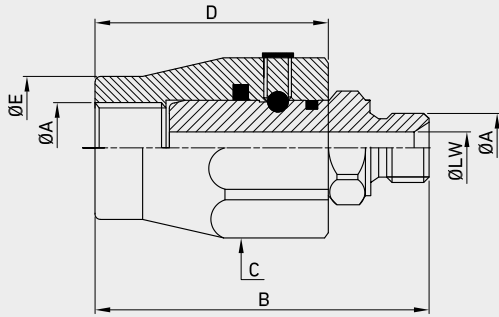
**GAS DIN/  
ISO 228  
BSP**

- G 1/4
- G 3/8
- G 1/2
- G 3/4
- G 1
- G 1 1/4
- G 1 1/2
- G 2

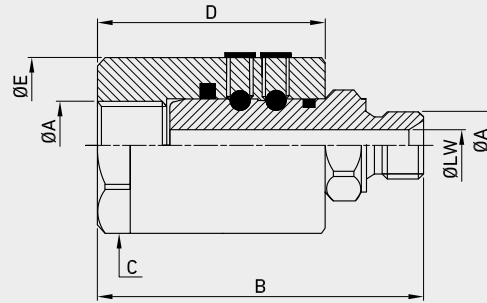
**Material**

- CS carbon steel





SJ - IN LINE FROM 1/4" TO 1/2"



SJ - IN LINE FROM 3/4" TO 2"

SJ - IN LINE FROM 1/4" TO 1/2"

CS

Carbon Steel

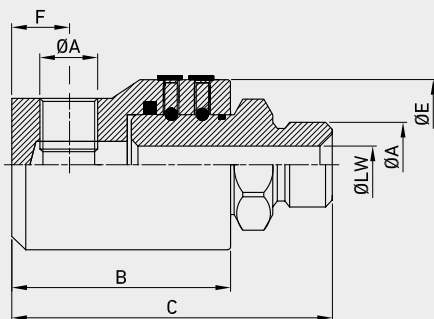
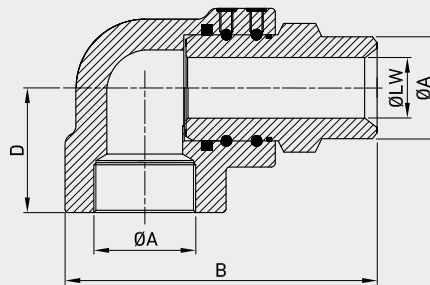
TYPE	ØA	C	B	D	ØE	ØLW	MAX ROTATING PRESSURE	MAX STATIC PRESSURE	MAX FLOW L/min	ITEM CODE		
SJ10 IN LINE 1/4 BSP	G 1/4	mm	30	61	42	24	6	MPa	20	40	25	NSJ2G010000
		inch		2,40	1,65	0,94	0,24	Psi	2900	5800		
SJ10 IN LINE 3/8 BSP	G 3/8	mm	34	66	44	25	8,5	MPa	20	40	35	NSJ2G020000
		inch		2,60	1,73	0,98	0,33	Psi	2900	5800		
SJ10 IN LINE 1/2 BSP	G 1/2	mm	36	71	47	32	11,5	MPa	15	30	60	NSJ2G030000
		inch		2,80	1,85	1,26	0,45	Psi	2175	4350		

SJ - IN LINE FROM 3/4" TO 2"

CS

Carbon Steel

TYPE	ØA	C	B	D	ØE	ØLW	MAX ROTATING PRESSURE	MAX STATIC PRESSURE	MAX FLOW L/min	ITEM CODE		
SJ10 IN LINE 3/4 BSP	G 3/4	mm	45	87,5	56,5	49,5	15	MPa	15	30	100	NSJ2G040000
		inch	1,77	3,44	2,22	1,95	0,59	Psi	2175	4350		
SJ10 IN LINE 1" BSP	G 1	mm	50	93,7	61,5	54,5	20	MPa	10	30	180	NSJ2G050000
		inch	1,97	3,69	2,42	2,15	0,79	Psi	1450	4350		
SJ10 IN LINE 1"1/4 BSP	G 1 1/4	mm	55	101	63	60	28	MPa	10	30	270	NSJ2G060000
		inch	2,17	3,98	2,48	2,36	1,10	Psi	1450	4350		
SJ10 IN LINE 1"1/2 BSP	G 1 1/2	mm	65	110	70	69,5	35	MPa	8	30	350	NSJ2G070000
		inch	2,56	4,33	2,76	2,74	1,38	Psi	1160	4350		
SJ10 IN LINE 2" BSP	G 2	mm	75	119	75	84,5	44	MPa	5	30	700	NSJ2G080000
		inch	2,95	4,69	2,95	3,33	1,73	Psi	725	4350		


**SJ - AT 90° FROM 1/4" TO 1"**

**SJ - AT 90° FROM 1 1/4" TO 2"**
**SJ - AT 90° FROM 1/4" TO 1"**

											CS Carbon Steel		
TYPE	ØA	B	C	ØLW	ØE	F	MAX ROTATING PRESSURE	MAX STATIC PRESSURE	MAX FLOW L/min	ITEM CODE			
SJ90 AT 90 1/4 BSP	G 1/4	mm	50	70	6	33,5	11	MPa	20	40	25	NSJ1G010000	
		inch	1,97	2,76	0,24	1,32	0,43	Psi	2900	5800			
SJ90 AT 90 3/8 BSP	G 3/8	mm	54	77	8,5	37,5	13	MPa	20	40	35	NSJ1G020000	
		inch	2,13	3,03	0,33	1,48	0,51	Psi	2900	5800			
SJ90 AT 90 1/2 BSP	G 1/2	mm	63	87	11,5	39,5	14	MPa	15	30	60	NSJ1G030000	
		inch	2,48	3,43	0,45	1,56	0,55	Psi	2175	4350			
SJ90 AT 90 3/4 BSP	G 3/4	mm	74	104	15	54,5	19,5	MPa	15	30	100	NSJ1G040000	
		inch	2,91	4,09	0,59	2,15	0,77	Psi	2175	4350			
SJ90 AT 90 1" BSP	G 1	mm	87	119	21	55	60	24	MPa	10	30	180	NSJ1G050000
		inch	3,43	4,69	0,83	2,17	2,36	0,94	Psi	1450	4350		

**SJ - AT 90° FROM 1 1/4" TO 2"**

											CS Carbon Steel
TYPE	ØA	B	D	ØLW	MAX ROTATING PRESSURE	MAX STATIC PRESSURE	MAX FLOW L/min	ITEM CODE			
SJ90 AT 90 1" 1/4 BSP	G1 1/4	mm	119,5	52	28	MPa	10	30	270	NSJ1G060000	
		inch	4,70	2,05	1,10	Psi	1450	4350			
SJ90 AT 90 1" 1/2 BSP	G1 1/2	mm	140	62	35	MPa	8	30	350	NSJ1G070000	
		inch	5,51	2,44	1,38	Psi	1160	4350			
SJ90 AT 90 2" BSP	G 2	mm	151	64	44	MPa	5	25	700	NSJ1G080000	
		inch	5,94	2,52	1,73	Psi	725	3625			



# SJ HD

## SWIVEL JOINTS

Edition. 21.1

### CS Carbon Steel

- Type: swivel joint HD / in line
- Sizes: from DN13 up to DN32
- Ends: BSP - UNF/SAE (on request)
- Pressure: up to PN400
- Temp range: -20°C to +80°C
- Treatment: Galvanized



CODE DESCRIPTION STRUCTURE

SJ 10 G1/2 CS

Type and way of valve

SJ HD - HEAVY DUTY swivel joint

10 line

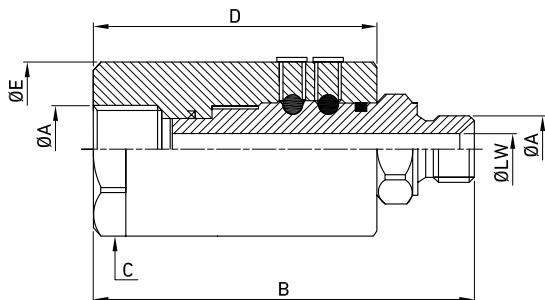
Ends

GAS DIN/ISO  
228 BSP"

G 1/2  
G 3/4  
G 1

Material

● CS carbon steel



SJ HD HEAVY DUTY - IN LINE FROM 1/2" TO 1"

CS  
Carbon Steel

TYPE	ØA	C	B	D	ØE	ØLW	MAX WORKING PRESSURE	MAX PEAK PRESSURE	MAX FLOW L/min	ITEM CODE		
SJ10HD IN LINE 1/2 BSP	G 1/2	mm	36	92	68	40	10	MPa	40	50	95	NSJ2G030001
		inch		3,62	2,68	1,57	0,39	Psi	5800	7250		
SJ10HD IN LINE 3/4 BSP	G 3/4	mm	45	120	89	50	14	MPa	35	50	150	NSJ2G040001
		inch		4,72	3,50	1,97	0,55	Psi	5075	7250		
SJ10HD IN LINE 1 BSP	G 1	mm	50	122	90	55	20	MPa	35	45	215	NSJ2G050001
		inch		4,80	3,54	2,17	0,79	Psi	5075	6525		



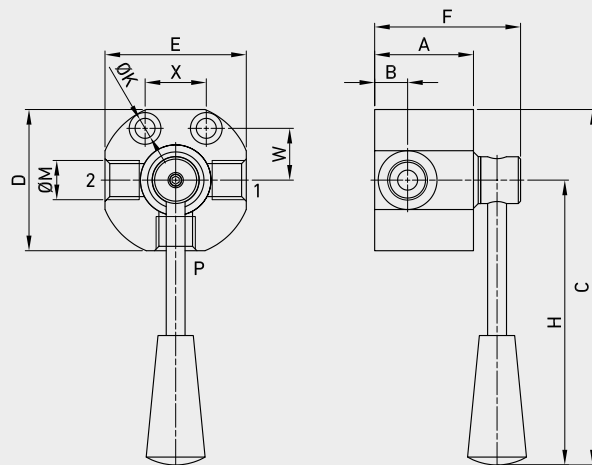
# DDF3-A

## 3 WAYS FLOW DIVERTERS

Edition. 21.0

### CS Carbon Steel

- Type: 3 ways flow diverters
- Pressure: up to PN500
- Treatments: Galvanized



CODE DESCRIPTION STRUCTURE

**DDF3-A G1/2**

Type and way of valve

DDF3-A 3 ways flow dividers

Ends

GAS DIN/  
ISO 228

BSP

G 1/4

G 3/8

G 1/2

G 3/4

Mineral Oil: DIN 51524 ISO 6743/4

Oil viscosity: 15-250mm<sup>2</sup>/s

Oil temperature: -20°C +80°C

Ambient temperature: -20°C +50°C

Max contamination index with filter: 15-250mm<sup>2</sup>/s

Necessary to use a filter to protect the valve

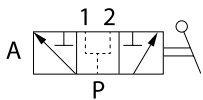
(advised filtration 15um)



DDF3-A - Flow diverter three-way open center

CS  
Carbon Steel

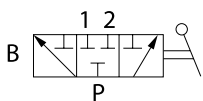
TYPE	DN	PN	A	B	C	D	E	F	w	H	X	ØK	ØM	WEIGHT	ITEM CODE
DDF3-A G1/4	DN6	MPa 500	mm 42	14	150	60	60	62	22	120	26	8,5	G1/4	kg 0,95	NDF4G010000
		Psi 7250	inch 1,65	0,55	5,91	2,36	2,36	2,44	0,87	4,72	1,02	0,33		lb 0,209	
DDF3-A G3/8	DN10	MPa 500	mm 42	14	150	60	60	62	22	120	26	8,5	G3/8	kg 0,95	NDF4G020000
		Psi 7250	inch 1,65	0,55	5,91	2,36	2,36	2,44	0,87	4,72	1,02	0,33		lb 0,209	
DDF3-A G1/2	DN13	MPa 500	mm 45	16	152,5	65	65	65	22	120	26	8,5	G1/2	kg 1,25	NDF4G030000
		Psi 7250	inch 1,77	0,63	6,00	2,56	2,56	2,56	0,87	4,72	1,02	0,33		lb 0,275	
DDF3-A G3/4	DN20	MPa 500	mm 54	23	160	80	80	75	26	120	32	10,5	G3/4	kg 2,14	NDF4G040000
		Psi 7250	inch 2,13	0,91	6,30	3,15	3,15	2,95	1,02	4,72	1,26	0,41		lb 0,471	



DDF3-A - Flow diverter three-way closed center

CS  
Carbon Steel

TYPE	DN	PN	A	B	C	D	E	F	w	H	X	ØK	ØM	WEIGHT	ITEM CODE
DDF3-A G1/4	DN6	MPa 500	mm 42	14	150	60	60	62	22	120	26	8,5	G1/4	kg 0,95	NDF4G010001
		Psi 7250	inch 1,65	0,55	5,91	2,36	2,36	2,44	0,87	4,72	1,02	0,33		lb 0,209	
DDF3-A G3/8	DN10	MPa 500	mm 42	14	150	60	60	62	22	120	26	8,5	G3/8	kg 0,95	NDF4G020001
		Psi 7250	inch 1,65	0,55	5,91	2,36	2,36	2,44	0,87	4,72	1,02	0,33		lb 0,209	
DDF3-A G1/2	DN13	MPa 500	mm 45	16	152,5	65	65	65	22	120	26	8,5	G1/2	kg 1,25	NDF4G030001
		Psi 7250	inch 1,77	0,63	6,00	2,56	2,56	2,56	0,87	4,72	1,02	0,33		lb 0,275	
DDF3-A G3/4	DN20	MPa 500	mm 54	23	160	80	80	75	26	120	32	10,5	G3/4	kg 2,14	NDF4G040001
		Psi 7250	inch 2,13	0,91	6,30	3,15	3,15	2,95	1,02	4,72	1,26	0,41		lb 0,471	





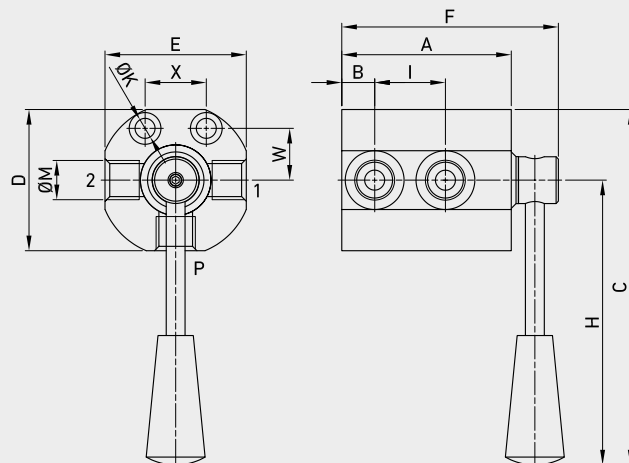
# DDF6-A

## 6 WAYS FLOW DIVERTERS

Edition. 21.0

### CS Carbon Steel

- Type: 6 ways flow diverters
- Pressure: up to PN500
- Treatments: Galvanized





CODE DESCRIPTION STRUCTURE

**DDF6-A G1/2**

Type and way of valve

DDF6-A 6 ways flow dividers

Ends

GAS DIN/  
ISO 228

BSP

G 1/4

G 3/8

G 1/2

G 3/4

Mineral Oil: DIN 51524 ISO 6743/4

Oil viscosity: 15-250mm<sup>2</sup>/s

Oil temperature: -20°C +80°C

Ambient temperature: -20°C +50°C

Max contamination index with filter:  
15-250mm<sup>2</sup>/s

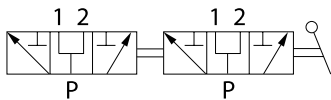
Necessary to use a filter to protect the valve  
(advised filtration 15um)



DDF6-A - Flow diverter six-way open center

CS  
Carbon Steel

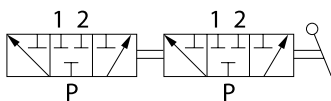
TYPE	DN	PN	A	B	C	D	E	F	w	H	I	X	ØK	ØM	WEIGHT	ITEM CODE
DDF6-A G1/4	DN6	MPa 500	mm 72	14	150	60	60	92	22	120	30	26	8,5	G1/4	kg 1,71	NDF5G010000
		Psi 7250	inch 2,83	0,55	5,91	2,36	2,36	3,62	0,87	4,72	1,18	1,02	0,33		lb 3,76	
DDF6-A G3/8	DN10	MPa 500	mm 72	14	150	60	60	92	22	120	30	26	8,5	G3/8	kg 1,71	NDF5G020000
		Psi 7250	inch 2,83	0,55	5,91	2,36	2,36	3,62	0,87	4,72	1,18	1,02	0,33		lb 3,76	
DDF6-A G1/2	DN13	MPa 500	mm 83	16	152,5	65	65	103	22	120	38	26	8,5	G1/2	kg 2,25	NDF5G030000
		Psi 7250	inch 3,27	0,63	6,00	2,56	2,56	4,06	0,87	4,72	1,50	1,02	0,33		lb 0,4,95	
DDF6-A G3/4	DN20	MPa 500	mm 94	22	160	80	80	119	26	120	44	32	10,5	G3/4	kg 3,84	NDF5G040000
		Psi 7250	inch 3,70	0,87	6,30	3,15	3,15	4,69	1,02	4,72	1,73	1,26	0,41		lb 8,45	



DDF6-A - Flow diverter six-way closed center

CS  
Carbon Steel

TYPE	DN	PN	A	B	C	D	E	F	w	H	I	X	ØK	ØM	WEIGHT	ITEM CODE
DDF6-A G1/4	DN6	MPa 500	mm 72	14	150	60	60	92	22	120	30	26	8,5	G1/4	kg 1,71	NDF5G010001
		Psi 7250	inch 2,83	0,55	5,91	2,36	2,36	3,62	0,87	4,72	1,18	1,02	0,33		lb 3,76	
DDF6-A G3/8	DN10	MPa 500	mm 72	14	150	60	60	92	22	120	30	26	8,5	G3/8	kg 1,71	NDF5G020001
		Psi 7250	inch 2,83	0,55	5,91	2,36	2,36	3,62	0,87	4,72	1,18	1,02	0,33		lb 3,76	
DDF6-A G1/2	DN13	MPa 500	mm 83	16	152,5	65	65	103	22	120	38	26	8,5	G1/2	kg 2,25	NDF5G030001
		Psi 7250	inch 3,27	0,63	6,00	2,56	2,56	4,06	0,87	4,72	1,50	1,02	0,33		lb 0,4,95	
DDF6-A G3/4	DN20	MPa 500	mm 94	22	160	80	80	119	26	120	44	32	10,5	G3/4	kg 3,84	NDF5G040001
		Psi 7250	inch 3,70	0,87	6,30	3,15	3,15	4,69	1,02	4,72	1,73	1,26	0,41		lb 8,45	





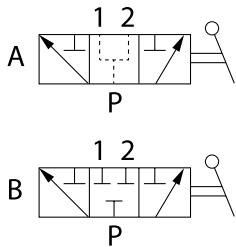
# DDF

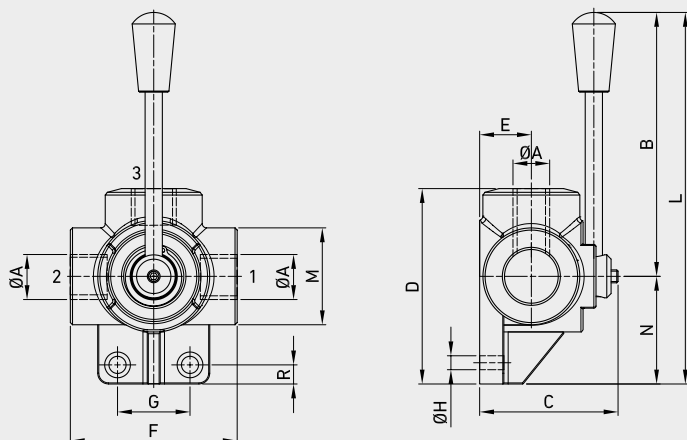
## 3 WAYS FLOW DIVERTERS

Edition. 21.0

### CS Carbon Steel

- Cast iron
- Type: 3 ways flow diverters
- Pressure: up to PN300
- Treatment: Galvanized





CODE DESCRIPTION STRUCTURE

**DDF** | **G1/2**

Type and way of valve

DDF 3 ways flow diverters

Ends

- GAS DIN/
- ISO 228
- BSP
- G 1/4
- G 3/8
- G 1/2
- G 3/4
- G 1

DDF - 3 ways flow diverters with open centre

CS  
Carbon Steel

TYPE	A	PORTATA MAX (MAX FLOW) L/min	PRESSIONE MAX (MAX PRESSURE)	B	C	D	E	F	G	H	L	M	N	R	WEIGHT	ITEM CODE
DDF3 BSP 1/4 - 140	G 1/4	40	MPa 30	mm 128	62	77	21	73	24	8,5	169	35	41	14,5	kg 0,95	NDF1G010000
			Psi 4350	inch 5,04	2,44	3,03	0,83	2,87	0,94	0,33	6,65	1,38	1,61	0,57	lb 2,09	
DDF3 BSP 3/8 - 380	G 3/8	60	MPa 30	mm 128	62	77	21	73	24	8,5	169	35	41	14,5	kg 0,89	NDF1G020000
			Psi 4350	inch 5,04	2,44	3,03	0,83	2,87	0,94	0,33	6,65	1,38	1,61	0,57	lb 1,96	
DDF3 BSP 1/2 - 120	G 1/2	90	MPa 25	mm 128	70	96	25	85	32	10,5	180	40	52	17	kg 1,45	NDF1G030000
			Psi 3625	inch 5,04	2,76	3,78	0,98	3,35	1,26	0,41	7,09	1,57	2,05	0,67	lb 3,20	
DDF3 BSP 3/4 - 340	G 3/4	120	MPa 22	mm 125	80	100	28	90	32	10,5	180	45	55	14	kg 1,82	NDF1G040000
			Psi 3190	inch 4,92	3,15	3,94	1,10	3,54	1,26	0,41	7,09	1,77	2,17	0,55	lb 4,01	
DDF3 BSP 1" - 100	G 1	200	MPa 22	mm 140	90	115	32,5	96	32	11	207	56	67	17	kg 2,5	NDF1G050000
			Psi 3190	inch 5,51	3,54	4,53	1,28	3,78	1,26	0,43	8,15	2,20	2,64	0,67	lb 5,51	



# HYDRAULIC SWIVEL JOINTS

Edition. 21.2

**Type**

HYDRAULIC SWIVEL JOINTS

**Sizes**

from 2WAY up to 22WAY

**Ends**

BSP, NPT, SAE, flange

**Pressure**

up to PN420



**Highest reliability**

- stator: C40 - aluminium; rotor: S355J2G3 - aluminium.

**Working conditions**

- mounting position: vertical;
- axial and radial loads: not allowed;
- max rotating speed: 12 rpm;
- max pressure: 420 bar;
- min/max ambient temperatures: -20°C / +60°C;
- max working temperature: 90°C;
- standard working range: -10°C ÷ 80°C;
- rotating/starting torque: according to the design model.

**Fluids**

- hydraulic oil - DOT 4 - H2O

**Surface treatments**

- rotor: phosphatizing with manganese - nickel plating ENP - hard oxidation;
- stator: hard chromium plating - nickel plating ENP - hard oxidation.

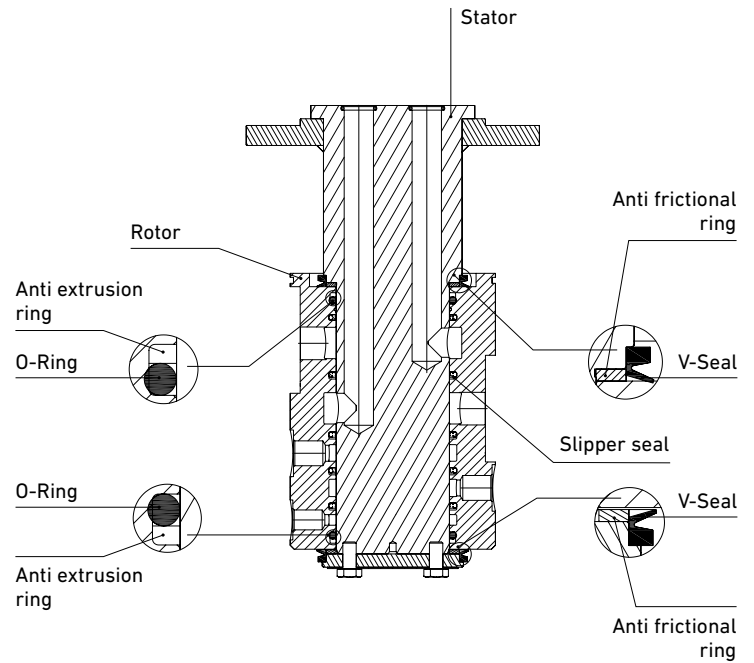
**Sealing components**

- seals in buna N - Viton - EPDM - special Teflon rings.

**Accessories (slip ring)**

- every model can be supplied with electrical swivel joint according to the requirements of the customers.

**CROSS SECTION**



APPLICATIONS & SOLUTIONS



DRILLING RIGS



EXCAVATOR/MOBILE CRANE



UNDERCARRIAGES



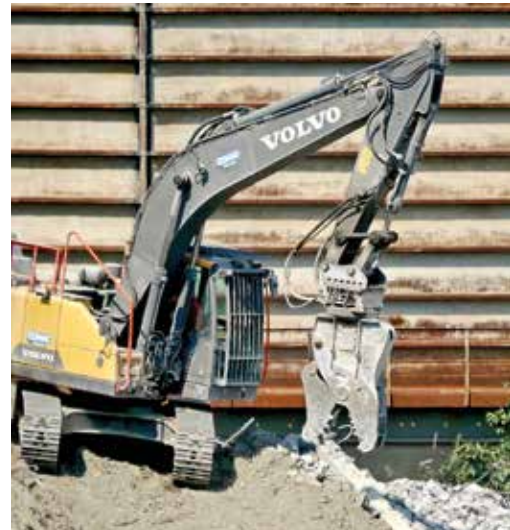
CONCRETE MIXER PUMPS



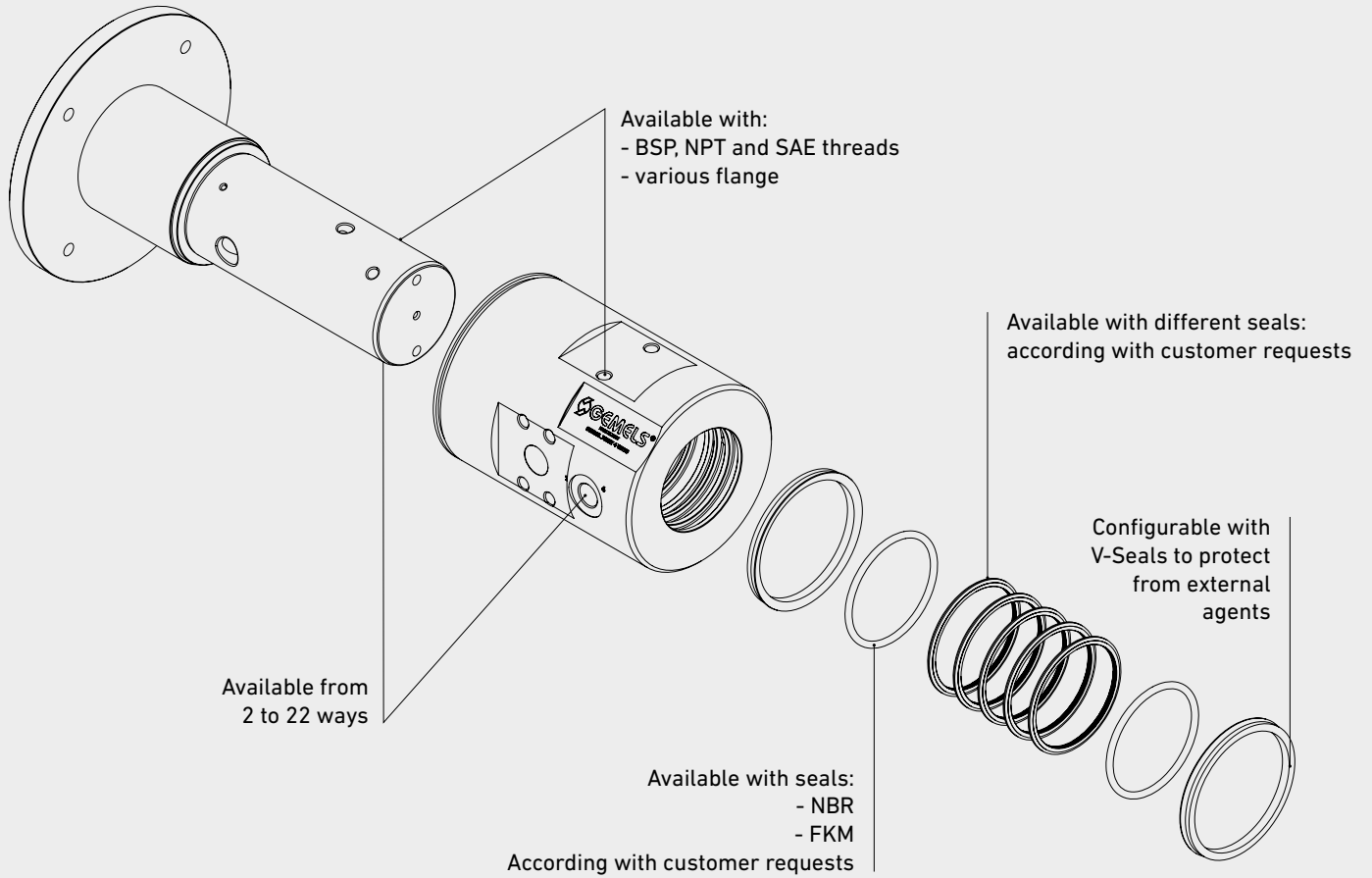
HYDRAULIC + SLIP RING TELEHANDLER



SLIP RING



## COMPOSITION OF HYDRAULIC SWIVEL JOINT









## FLOATING & TRUNNION DESIGN

For Oil&Gas fields, **GEMELS** produces ball valves from 1/4" up to 42", ensuring material 100% Made in Italy/EU. **GEMELS** valves are in accordance to the international norms and to the specifications of the biggest global players in downstream, midstream e upstream fields, both for onshore and offshore application. In addition to manual valves, cooperating with the most important manufacturers of actuators, **GEMELS** supplies also the complete package with pneumatic, electric, Gas-Over-Oil, hydraulic actuators and HIPPS system.

# OIL & GAS



# GN

## 2-WAY HIGH PRESSURE BALL VALVES

Edition. 21.7

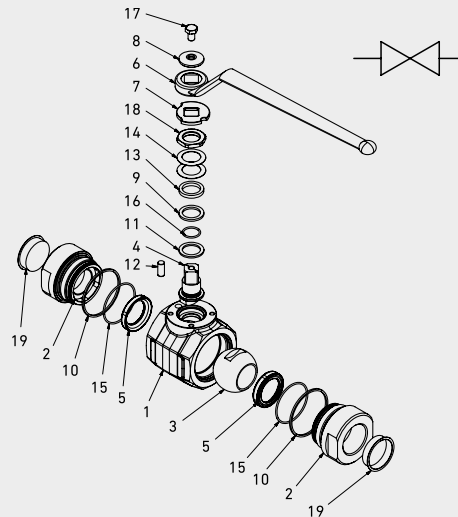
### CS Carbon Steel

- Type: ball valve 2way
- Sizes: from DN6 up to DN50
- Ends: BSP-NPT-SW-SWXT -PE BW
- O-Rings: NBR, FKM, EPDM, MVQ
- Pressure: up to PN500 / S6000
- Temp range: -46°C to +250°C (depending on materials selected)
- Treatment: Galvanized

### SS Stainless Steel

- Type: ball valve 2way
- Sizes: from DN6 up to DN50
- Ends: BSP-NPT-SW-SWXT -PE BW
- O-Rings: NBR, FKM, EPDM, MVQ
- Pressure: up to PN500 / S6000
- Temp range: -46°C to +250°C (depending on materials selected)

### STANDARD COMPOSITION OF VALVE



POS	DESCRIPTION	Q.TY	CS	SS	POS	DESCRIPTION	Q.TY	CS	SS
			Carbon Steel	Stainless Steel				Carbon Steel	Stainless Steel
			MATERIAL					MATERIAL	
1	Body	1	ASTM A350 LF2	ASTM A182 F316	11	Stem ring	2	PTFE	PTFE
2	Adapter	2	ASTM A350 LF2	ASTM A182 F316	12	Spine	1	AISI 316	AISI 316
3	Ball	1	ASTM A479 Tp.316	ASTM A479 Tp.316	13	Press ring	2	AISI 316	AISI 316
4	Stem	1	ASTM A479 Tp.316	ASTM A479 Tp.316	14	Spring	2	AISI 316	AISI 316
5	Ball seat	2	POM	POM	15	Adapter o-ring	2	FKM	FKM
6	Handle	1	Fe37	Fe37	16	Stem o-ring	1	FKM	FKM
7	Washer	1	AISI 316	AISI 316	17	Screw	1	ISO 4762 A4	ISO4762 A4
8	Washer	1	AISI 316	AISI 316	18	Nut	1	AISI 316	AISI 316
9	Body ring	1	Graphite	Graphite	19	Caps	2	PVC	PVC
10	Adapter ring	2	Graphite	Graphite					

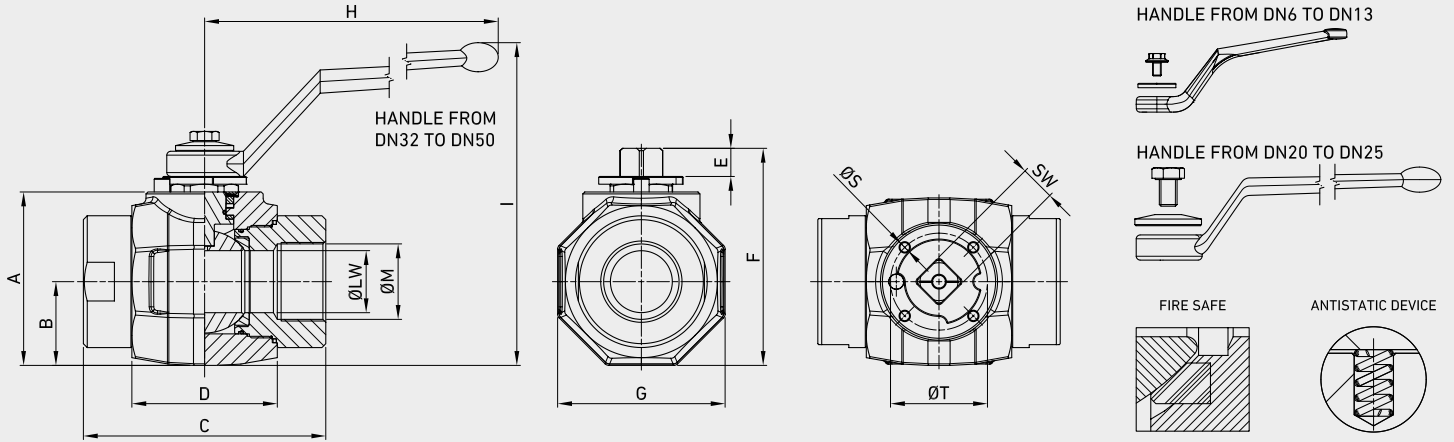


### CODE DESCRIPTION STRUCTURE

		GN	G1 1/2	DN13	LF2	F316	POM																																													
<b>Type and way of valve</b>		GN 2-way																																																		
<b>Ends</b>		<table border="1"> <thead> <tr> <th>GAS DIN/ ISO 228 BSP</th> <th>NPT ANSI /ASME B1.20.1</th> <th>SW</th> <th>SW EXTRALONG</th> <th>PE</th> </tr> </thead> <tbody> <tr><td>G 1/4</td><td>N 1/4</td><td>SW 1/4</td><td>SWXT 1/4</td><td>PE 1/4</td></tr> <tr><td>G 3/8</td><td>N 3/8</td><td>SW 3/8</td><td>SWXT 3/8</td><td>PE 3/8</td></tr> <tr><td>G 1/2</td><td>N 1/2</td><td>SW 1/2</td><td>SWXT 1/2</td><td>PE 1/2</td></tr> <tr><td>G 3/4</td><td>N 3/4</td><td>SW 3/4</td><td>SWXT 3/4</td><td>PE 3/4</td></tr> <tr><td>G 1</td><td>N 1</td><td>SW 1</td><td>SWXT 1</td><td>PE 1</td></tr> <tr><td>G 1 1/4</td><td>N 1 1/4</td><td>SW 1 1/4</td><td>SWXT 1 1/4</td><td>PE 1 1/4</td></tr> <tr><td>G 1 1/2</td><td>N 1 1/2</td><td>SW 1 1/2</td><td>SWXT 1 1/2</td><td>PE 1 1/2</td></tr> <tr><td>G 2</td><td>N 2</td><td>SW 2</td><td>SWXT 2</td><td>PE 2</td></tr> </tbody> </table>						GAS DIN/ ISO 228 BSP	NPT ANSI /ASME B1.20.1	SW	SW EXTRALONG	PE	G 1/4	N 1/4	SW 1/4	SWXT 1/4	PE 1/4	G 3/8	N 3/8	SW 3/8	SWXT 3/8	PE 3/8	G 1/2	N 1/2	SW 1/2	SWXT 1/2	PE 1/2	G 3/4	N 3/4	SW 3/4	SWXT 3/4	PE 3/4	G 1	N 1	SW 1	SWXT 1	PE 1	G 1 1/4	N 1 1/4	SW 1 1/4	SWXT 1 1/4	PE 1 1/4	G 1 1/2	N 1 1/2	SW 1 1/2	SWXT 1 1/2	PE 1 1/2	G 2	N 2	SW 2	SWXT 2	PE 2
GAS DIN/ ISO 228 BSP	NPT ANSI /ASME B1.20.1	SW	SW EXTRALONG	PE																																																
G 1/4	N 1/4	SW 1/4	SWXT 1/4	PE 1/4																																																
G 3/8	N 3/8	SW 3/8	SWXT 3/8	PE 3/8																																																
G 1/2	N 1/2	SW 1/2	SWXT 1/2	PE 1/2																																																
G 3/4	N 3/4	SW 3/4	SWXT 3/4	PE 3/4																																																
G 1	N 1	SW 1	SWXT 1	PE 1																																																
G 1 1/4	N 1 1/4	SW 1 1/4	SWXT 1 1/4	PE 1 1/4																																																
G 1 1/2	N 1 1/2	SW 1 1/2	SWXT 1 1/2	PE 1 1/2																																																
G 2	N 2	SW 2	SWXT 2	PE 2																																																
<b>Sizes</b>		DN6 DN10 DN13 DN20 DN25 DN32 DN40 DN50																																																		
<b>Body and adapter material</b>		<input type="radio"/> LF2 <input checked="" type="radio"/> F316																																																		
<b>Stem and ball material</b>		<input type="radio"/> F316 <input checked="" type="radio"/> F316																																																		
<b>Ball seat material</b>		POM PEEK* GEMPTFE*																																																		
<b>Adapter and stem seal material</b>		FKM NBR* EPDM* MVQ*																																																		

- \*On request
- Reduced bore
  - Special threads
  - Pressure class up to PN500 or 6000 Psi
  - Locking device
  - Pneumatic and electrical actuator

For further special requests please consult our technical/commercial service.



GN DIN/ISO 228 BSP

TYPE	DN		A	B	C	D	E	F	ØG*	H	I	ØLW	ØM	ØS	ISO 5211	ØT	SW	WEIGHT	
GN G 1/4	6	mm	48,5	22	72	44	9,4	65	45	107	108	6	G 1/4	M5	F03	36	9	kg	0,82
		inch	1,91	0,87	2,83	1,73	0,37	2,56	1,77	4,21	4,25	0,24						1,42	0,35
GN G 3/8	10	mm	48,5	22	73	44	9,4	65	45	107	108	10	G 3/8	M5	F03	36	9	kg	0,82
		inch	1,91	0,87	2,87	1,73	0,37	2,56	1,77	4,21	4,25	0,39						1,42	0,35
GN G 1/2	13	mm	53	24	81	48	9,4	70	49	107	113	13	G 1/2	M5	F03	36	9	kg	1,041
		inch	2,09	0,94	3,19	1,89	0,37	2,76	1,93	4,21	4,45	0,51						1,42	0,35
GN G 3/4	20	mm	66	30	98	62	13,4	88	61	200	123	20	G 3/4	M6	F05	50	14	kg	2,089
		inch	2,60	1,18	3,86	2,44	0,53	3,46	2,40	7,87	4,84	0,79						1,97	0,55
GN G 1	25	mm	76	36	106	66	13,4	98	73	200	133	25	G 1	M6	F05	50	14	kg	2,822
		inch	2,99	1,42	4,17	2,60	0,53	3,86	2,87	7,87	5,24	0,98						1,97	0,55
GN G 1 1/4	32	mm	89,5	43	126	75	14,5	112	86	310	166	32	G 1 1/4	M6	F05	50	17	kg	4,508
		inch	3,52	1,69	4,96	2,95	0,57	4,41	3,39	12,20	6,54	1,26						1,97	0,67
GN G 1 1/2	40	mm	106	53	135	85	14	129	106	310	184	40	G 1 1/2	M6	F05	50	17	kg	6,89
		inch	4,17	2,09	5,31	3,35	0,55	5,08	4,17	12,20	7,24	1,57						1,97	0,67
GN G 2	50	mm	116	59	160	98	13,5	138	118	310	194	50	G 2	M6	F05	50	17	kg	9,628
		inch	4,57	2,32	6,30	3,86	0,53	5,43	4,65	12,20	7,64	1,97						1,97	0,67

**(POM SEAL)**

GN DIN/ISO 228 PN500

DN	PN	CS	SS
		Carbon Steel	Stainless Steel
		ITEM CODE	
6	MPa 50	GN2GGT15024B000	GN2GGT15044B000
	Psi 7250		
10	MPa 50	GN2GGT25024B000	GN2GGT25044B000
	Psi 7250		
13	MPa 50	GN2GGT35024B000	GN2GGT35044B000
	Psi 7250		
20	MPa 42	GN2GGT44024B000	GN2GGT44044B000
	Psi 6090		
25	MPa 42	GN2GGT53024B000	GN2GGT53044B000
	Psi 6090		
32	MPa 42	GN2GGT63024B000	GN2GGT63044B000
	Psi 6090		
40	MPa 42	GN2GGT73024B000	GN2GGT73044B000
	Psi 6090		
50	MPa 42	GN2GGT83024B000	GN2GGT83044B000
	Psi 6090		

**(POM SEAL)**

GN DIN/ISO 228 S6000

DN	PN	CS	SS
		Carbon Steel	Stainless Steel
		ITEM CODE	
6	MPa 41,4	GN2GGT1G024B000	GN2GGT1G044B000
	Psi 6000		
10	MPa 41,4	GN2GGT2G024B000	GN2GGT2G044B000
	Psi 6000		
13	MPa 41,4	GN2GGT3G024B000	GN2GGT3G044B000
	Psi 6000		
20	MPa 41,4	GN2GGT4G024B000	GN2GGT4G044B000
	Psi 6000		
25	MPa 41,4	GN2GGT5G024B000	GN2GGT5G044B000
	Psi 6000		
32	MPa 41,4	GN2GGT6G024B000	GN2GGT6G044B000
	Psi 6000		
40	MPa 41,4	GN2GGT7G024B000	GN2GGT7G044B000
	Psi 6000		
50	MPa 41,4	GN2GGT8G024B000	GN2GGT8G044B000
	Psi 6000		

**(PEEK SEAL)**

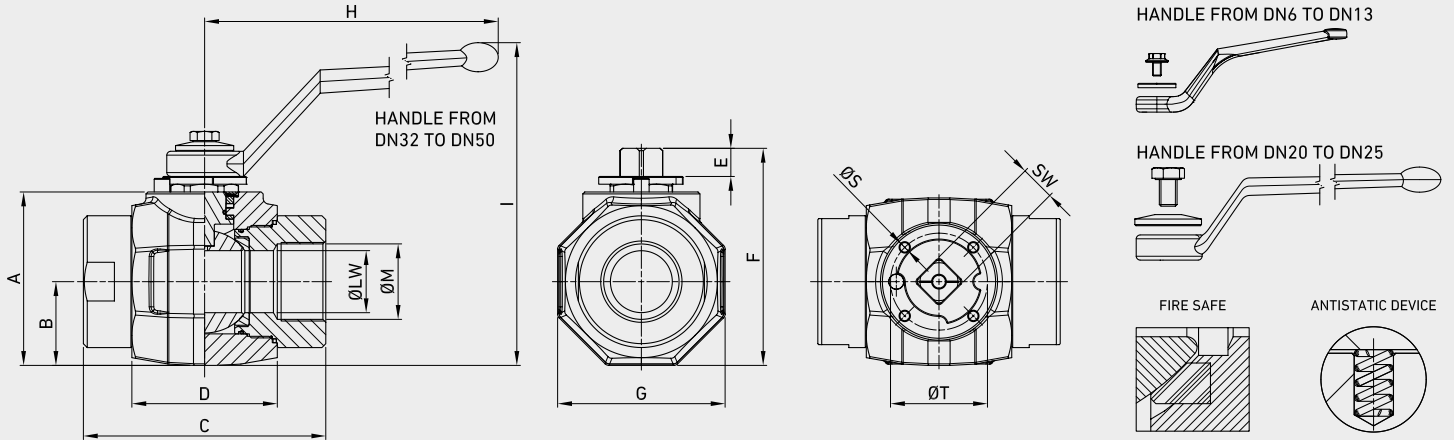
GN DIN/ISO 228 S6000

DN	PN	CS	SS
		Carbon Steel	Stainless Steel
		ITEM CODE	
6	MPa 41,4	GN2GGT1G024N000	GN2GGT1G044N000
	Psi 6000		
10	MPa 41,4	GN2GGT2G024N000	GN2GGT2G044N000
	Psi 6000		
13	MPa 41,4	GN2GGT3G024N000	GN2GGT3G044N000
	Psi 6000		
20	MPa 41,4	GN2GGT4G024N000	GN2GGT4G044N000
	Psi 6000		
25	MPa 41,4	GN2GGT5G024N000	GN2GGT5G044N000
	Psi 6000		
32	MPa 41,4	GN2GGT6G024N000	GN2GGT6G044N000
	Psi 6000		
40	MPa 41,4	GN2GGT7G024N000	GN2GGT7G044N000
	Psi 6000		
50	MPa 41,4	GN2GGT8G024N000	GN2GGT8G044N000
	Psi 6000		

**(GEMPTFE SEAL)**

GN DIN/ISO 228 S6000

DN	PN	CS	SS
		Carbon Steel	Stainless Steel
		ITEM CODE	
6	MPa 35,0	GN2GGT1G024I000	GN2GGT1G044I000
	Psi 5075		
10	MPa 35,0	GN2GGT2G024I000	GN2GGT2G044I000
	Psi 5075		
13	MPa 35,0	GN2GGT3G024I000	GN2GGT3G044I000
	Psi 5075		
20	MPa 17,5	GN2GGT4G024I000	GN2GGT4G044I000
	Psi 2537,5		
25	MPa 15,0	GN2GGT5G024I000	GN2GGT5G044I000
	Psi 2175		
32	MPa 10,0	GN2GGT6G024I000	GN2GGT6G044I000
	Psi 1450		
40	MPa 10,0	GN2GGT7G024I000	GN2GGT7G044I000
	Psi 1450		
50	MPa 10,0	GN2GGT8G024I000	GN2GGT8G044I000
	Psi 1450		



GN ANSI/ASME B1.20.1 NPT

TYPE	DN		A	B	C	D	E	F	ØG*	H	I	ØLW	ØM	ØS	ISO 5211	ØT	SW	WEIGHT	
GN N 1/4	6	mm	48,5	22	72	44	9,4	65	45	107	108	6	N 1/4	M5	F03	36	9	kg	0,82
		inch	1,91	0,87	2,83	1,73	0,37	2,56	1,77	4,21	4,25	0,24						1,42	0,35
GN N 3/8	10	mm	48,5	22	73	44	9,4	65	45	107	108	10	N 3/8	M5	F03	36	9	kg	0,82
		inch	1,91	0,87	2,87	1,73	0,37	2,56	1,77	4,21	4,25	0,39						1,42	0,35
GN N 1/2	13	mm	53	24	81	48	9,4	70	49	107	113	13	N 1/2	M5	F03	36	9	kg	1,041
		inch	2,09	0,94	3,19	1,89	0,37	2,76	1,93	4,21	4,45	0,51						1,42	0,35
GN N 3/4	20	mm	66	30	98	62	13,4	88	61	200	123	20	N 3/4	M6	F05	50	14	kg	2,089
		inch	2,60	1,18	3,86	2,44	0,53	3,46	2,40	7,87	4,84	0,79						1,97	0,55
GN N 1	25	mm	76	36	106	66	13,4	98	73	200	133	25	N 1	M6	F05	50	14	kg	2,822
		inch	2,99	1,42	4,17	2,60	0,53	3,86	2,87	7,87	5,24	0,98						1,97	0,55
GN N 1 1/4	32	mm	89,5	43	126	75	14,5	112	86	310	166	32	N 1 1/4	M6	F05	50	17	kg	4,508
		inch	3,52	1,69	4,96	2,95	0,57	4,41	3,39	12,20	6,54	1,26						1,97	0,67
GN N 1 1/2	40	mm	106	53	135	85	14	129	106	310	184	40	N 1 1/2	M6	F05	50	17	kg	6,89
		inch	4,17	2,09	5,31	3,35	0,55	5,08	4,17	12,20	7,24	1,57						1,97	0,67
GN N 2	50	mm	116	59	160	98	13,5	138	118	310	194	50	N 2	M6	F05	50	17	kg	9,628
		inch	4,57	2,32	6,30	3,86	0,53	5,43	4,65	12,20	7,64	1,97						1,97	0,67

**(POM SEAL)**

GN ANSI/ASME B1.20.1 NPT PN500

DN	PN	CS	SS
		Carbon Steel	Stainless Steel
		ITEM CODE	
6	MPa 50	GN2NNT15024B000	GN2NNT15044B000
	Psi 7250		
10	MPa 50	GN2NNT25024B000	GN2NNT25044B000
	Psi 7250		
13	MPa 50	GN2NNT35024B000	GN2NNT35044B000
	Psi 7250		
20	MPa 42	GN2NNT44024B000	GN2NNT44044B000
	Psi 6090		
25	MPa 42	GN2NNT53024B000	GN2NNT53044B000
	Psi 6090		
32	MPa 42	GN2NNT63024B000	GN2NNT63044B000
	Psi 6090		
40	MPa 42	GN2NNT73024B000	GN2NNT73044B000
	Psi 6090		
50	MPa 42	GN2NNT83024B000	GN2NNT83044B000
	Psi 6090		

**(POM SEAL)**

GN ANSI/ASME B1.20.1 NPT S6000

DN	PN	CS	SS
		Carbon Steel	Stainless Steel
		ITEM CODE	
6	MPa 41,4	GN2NNT1G024B000	GN2NNT1G044B000
	Psi 6000		
10	MPa 41,4	GN2NNT2G024B000	GN2NNT2G044B000
	Psi 6000		
13	MPa 41,4	GN2NNT3G024B000	GN2NNT3G044B000
	Psi 6000		
20	MPa 41,4	GN2NNT4G024B000	GN2NNT4G044B000
	Psi 6000		
25	MPa 41,4	GN2NNT5G024B000	GN2NNT5G044B000
	Psi 6000		
32	MPa 41,4	GN2NNT6G024B000	GN2NNT6G044B000
	Psi 6000		
40	MPa 41,4	GN2NNT7G024B000	GN2NNT7G044B000
	Psi 6000		
50	MPa 41,4	GN2NNT8G024B000	GN2NNT8G044B000
	Psi 6000		

**(PEEK SEAL)**

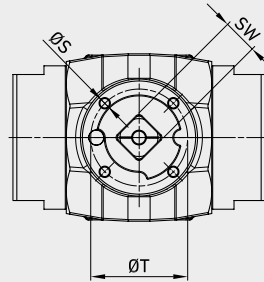
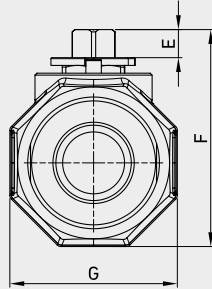
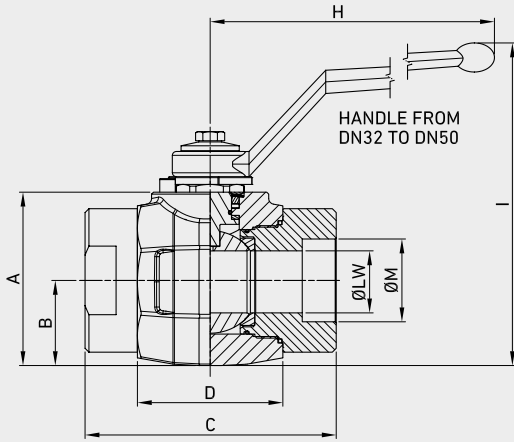
GN ANSI/ASME B1.20.1 NPT S6000

DN	PN	CS	SS
		Carbon Steel	Stainless Steel
		ITEM CODE	
6	MPa 41,4	GN2NNT1G024N000	GN2NNT1G044N000
	Psi 6000		
10	MPa 41,4	GN2NNT2G024N000	GN2NNT2G044N000
	Psi 6000		
13	MPa 41,4	GN2NNT3G024N000	GN2NNT3G044N000
	Psi 6000		
20	MPa 41,4	GN2NNT4G024N000	GN2NNT4G044N000
	Psi 6000		
25	MPa 41,4	GN2NNT5G024N000	GN2NNT5G044N000
	Psi 6000		
32	MPa 41,4	GN2NNT6G024N000	GN2NNT6G044N000
	Psi 6000		
40	MPa 41,4	GN2NNT7G024N000	GN2NNT7G044N000
	Psi 6000		
50	MPa 41,4	GN2NNT8G024N000	GN2NNT8G044N000
	Psi 6000		

**(GEMPTFE SEAL)**

GN ANSI/ASME B1.20.1 NPT S6000

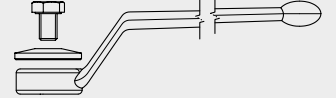
DN	PN	CS	SS
		Carbon Steel	Stainless Steel
		ITEM CODE	
6	MPa 35,0	GN2NNT1G024I000	GN2NNT1G044I000
	Psi 5075		
10	MPa 35,0	GN2NNT2G024I000	GN2NNT2G044I000
	Psi 5075		
13	MPa 35,0	GN2NNT3G024I000	GN2NNT3G044I000
	Psi 5075		
20	MPa 17,5	GN2NNT4G024I000	GN2NNT4G044I000
	Psi 2537,5		
25	MPa 15,0	GN2NNT5G024I000	GN2NNT5G044I000
	Psi 2175		
32	MPa 10,0	GN2NNT6G024I000	GN2NNT6G044I000
	Psi 1450		
40	MPa 10,0	GN2NNT7G024I000	GN2NNT7G044I000
	Psi 1450		
50	MPa 10,0	GN2NNT8G024I000	GN2NNT8G044I000
	Psi 1450		



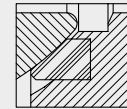
HANDLE FROM DN6 TO DN13



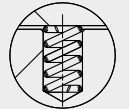
HANDLE FROM DN20 TO DN25



FIRE SAFE



ANTISTATIC DEVICE



GN SW

TYPE	DN		A	B	C	D	E	F	ØG*	H	I	ØLW	ØM	ØS	ISO 5211	ØT	SW	WEIGHT	
GN SW 1/4	6	mm	48,5	22	72	44	9,4	65	45	107	108	6	SW 1/4	M5	F03	36	9	kg	0,82
		inch	1,91	0,87	2,83	1,73	0,37	2,56	1,77	4,21	4,25	0,24						1,42	0,35
GN SW 3/8	10	mm	48,5	22	73	44	9,4	65	45	107	108	10	SW 3/8	M5	F03	36	9	kg	0,82
		inch	1,91	0,87	2,87	1,73	0,37	2,56	1,77	4,21	4,25	0,39						1,42	0,35
GN SW 1/2	13	mm	53	24	81	48	9,4	70	49	107	113	13	SW 1/2	M5	F03	36	9	kg	1,041
		inch	2,09	0,94	3,19	1,89	0,37	2,76	1,93	4,21	4,45	0,51						1,42	0,35
GN SW 3/4	20	mm	66	30	98	62	13,4	88	61	200	123	20	SW 3/4	M6	F05	50	14	kg	2,089
		inch	2,60	1,18	3,86	2,44	0,53	3,46	2,40	7,87	4,84	0,79						1,97	0,55
GN SW 1	25	mm	76	36	106	66	13,4	98	73	200	133	25	SW 1	M6	F05	50	14	kg	2,822
		inch	2,99	1,42	4,17	2,60	0,53	3,86	2,87	7,87	5,24	0,98						1,97	0,55
GN SW 1 1/4	32	mm	89,5	43	126	75	14,5	112	86	310	166	32	SW 1 1/4	M6	F05	50	17	kg	4,508
		inch	3,52	1,69	4,96	2,95	0,57	4,41	3,39	12,20	6,54	1,26						1,97	0,67
GN SW 1 1/2	40	mm	106	53	135	85	14	129	106	310	184	40	SW 1 1/2	M6	F05	50	17	kg	6,89
		inch	4,17	2,09	5,31	3,35	0,55	5,08	4,17	12,20	7,24	1,57						1,97	0,67
GN SW 2	50	mm	116	59	160	98	13,5	138	118	310	194	50	SW 2	M6	F05	50	17	kg	9,628
		inch	4,57	2,32	6,30	3,86	0,53	5,43	4,65	12,20	7,64	1,97						1,97	0,67



**(POM SEAL)**  
 GN SW PN500

DN	PN	CS	SS
		Carbon Steel	Stainless Steel
		ITEM CODE	
6	MPa 50	GN2TTT15024B000	GN2TTT15044B000
	Psi 7250		
10	MPa 50	GN2TTT25024B000	GN2TTT25044B000
	Psi 7250		
13	MPa 50	GN2TTT35024B000	GN2TTT35044B000
	Psi 7250		
20	MPa 42	GN2TTT44024B000	GN2TTT44044B000
	Psi 6090		
25	MPa 42	GN2TTT53024B000	GN2TTT53044B000
	Psi 6090		
32	MPa 42	GN2TTT63024B000	GN2TTT63044B000
	Psi 6090		
40	MPa 42	GN2TTT73024B000	GN2TTT73044B000
	Psi 6090		
50	MPa 42	GN2TTT83024B000	GN2TTT83044B000
	Psi 6090		

**(POM SEAL)**  
 GN SW S6000

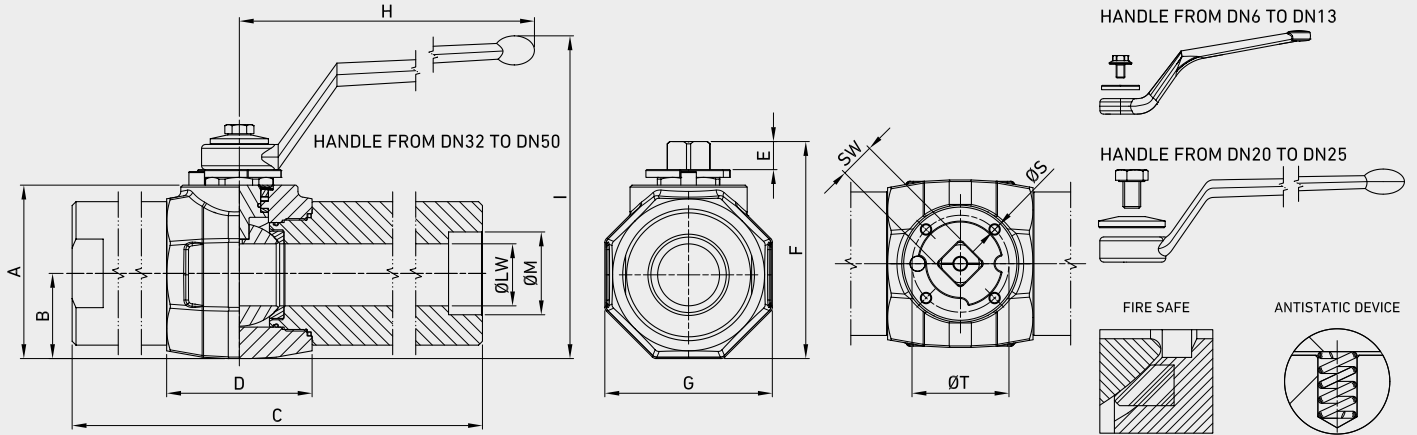
DN	PN	CS	SS
		Carbon Steel	Stainless Steel
		ITEM CODE	
6	MPa 41,4	GN2TTT1G024B000	GN2TTT1G044B000
	Psi 6000		
10	MPa 41,4	GN2TTT2G024B000	GN2TTT2G044B000
	Psi 6000		
13	MPa 41,4	GN2TTT3G024B000	GN2TTT3G044B000
	Psi 6000		
20	MPa 41,4	GN2TTT4G024B000	GN2TTT4G044B000
	Psi 6000		
25	MPa 41,4	GN2TTT5G024B000	GN2TTT5G044B000
	Psi 6000		
32	MPa 41,4	GN2TTT6G024B000	GN2TTT6G044B000
	Psi 6000		
40	MPa 41,4	GN2TTT7G024B000	GN2TTT7G044B000
	Psi 6000		
50	MPa 41,4	GN2TTT8G024B000	GN2TTT8G044B000
	Psi 6000		

**(PEEK SEAL)**  
 GN SW S6000

DN	PN	CS	SS
		Carbon Steel	Stainless Steel
		ITEM CODE	
6	MPa 41,4	GN2TTT1G024N000	GN2TTT1G044N000
	Psi 6000		
10	MPa 41,4	GN2TTT2G024N000	GN2TTT2G044N000
	Psi 6000		
13	MPa 41,4	GN2TTT3G024N000	GN2TTT3G044N000
	Psi 6000		
20	MPa 41,4	GN2TTT4G024N000	GN2TTT4G044N000
	Psi 6000		
25	MPa 41,4	GN2TTT5G024N000	GN2TTT5G044N000
	Psi 6000		
32	MPa 41,4	GN2TTT6G024N000	GN2TTT6G044N000
	Psi 6000		
40	MPa 41,4	GN2TTT7G024N000	GN2TTT7G044N000
	Psi 6000		
50	MPa 41,4	GN2TTT8G024N000	GN2TTT8G044N000
	Psi 6000		

**(GEMPTFE SEAL)**  
 GN SW S6000

DN	PN	CS	SS
		Carbon Steel	Stainless Steel
		ITEM CODE	
6	MPa 35,0	GN2TTT1G024I000	GN2TTT1G044I000
	Psi 5075		
10	MPa 35,0	GN2TTT2G024I000	GN2TTT2G044I000
	Psi 5075		
13	MPa 35,0	GN2TTT3G024I000	GN2TTT3G044I000
	Psi 5075		
20	MPa 17,5	GN2TTT4G024I000	GN2TTT4G044I000
	Psi 2537,5		
25	MPa 15,0	GN2TTT5G024I000	GN2TTT5G044I000
	Psi 2175		
32	MPa 10,0	GN2TTT6G024I000	GN2TTT6G044I000
	Psi 1450		
40	MPa 10,0	GN2TTT7G024I000	GN2TTT7G044I000
	Psi 1450		
50	MPa 10,0	GN2TTT8G024I000	GN2TTT8G044I000
	Psi 1450		



GN SW EXTRALONG

TYPE	DN		A	B	C	D	E	F	ØG*	H	I	ØLW	ØM	ØS	ISO 5211	ØT	SW	WEIGHT	
GN SWXT 1/4	6	mm	48,5	22	262	44	9,4	65	45	107	108	6	SW 1/4	M5	F03	36	9	kg	2,702
		inch	1,91	0,87	10,31	1,73	0,37	2,56	1,77	4,21	4,25	0,24						1,42	0,35
GN SWXT 3/8	10	mm	48,5	22	262	44	9,4	65	45	107	108	10	SW 3/8	M5	F03	36	9	kg	2,599
		inch	1,91	0,87	10,31	1,73	0,37	2,56	1,77	4,21	4,25	0,39						1,42	0,35
GN SWXT 1/2	13	mm	53	24	271	48	9,4	70	49	107	113	13	SW 1/2	M5	F03	36	9	kg	3,303
		inch	2,09	0,94	10,67	1,89	0,37	2,76	1,93	4,21	4,45	0,51						1,42	0,35
GN SWXT 3/4	20	mm	66	30	288	62	13,4	88	61	200	123	20	SW 3/4	M6	F05	50	14	kg	5,595
		inch	2,60	1,18	11,34	2,44	0,53	3,46	2,40	7,87	4,84	0,79						1,97	0,55
GN SWXT 1	25	mm	76	36	296	66	13,4	98	73	200	133	25	SW 1	M6	F05	50	14	kg	7,534
		inch	2,99	1,42	11,65	2,60	0,53	3,86	2,87	7,87	5,24	0,98						1,97	0,55
GN SWXT 11,4	32	mm	89,5	43	318	75	14,5	112	86	310	166	32	SW 1	M6	F05	50	17	kg	8,923
		inch	3,52	1,69	12,52	2,95	0,57	4,41	3,39	12,20	6,54	1,26						1/4	1,97
GN SWXT 1 1/2	40	mm	106	53	325	85	14	129	106	310	184	40	SW 1	M6	F05	50	17	kg	14,49
		inch	4,17	2,09	12,80	3,35	0,55	5,08	4,17	12,20	7,24	1,57						1/2	1,97
GN SWXT 2	50	mm	116	59	350	98	13,5	138	118	310	194	50	SW 2	M6	F05	50	17	kg	18,328
		inch	4,57	2,32	13,78	3,86	0,53	5,43	4,65	12,20	7,64	1,97						1,97	0,67

**(POM SEAL)**

GN SW EXTRALONG PN500

DN	PN	CS	SS
		Carbon Steel	Stainless Steel
		ITEM CODE	
6	MPa 50	GN2TXT15024B000	GN2TXT15044B000
	Psi 7250		
10	MPa 50	GN2TXT25024B000	GN2TXT25044B000
	Psi 7250		
13	MPa 50	GN2TXT35024B000	GN2TXT35044B000
	Psi 7250		
20	MPa 42	GN2TXT44024B000	GN2TXT44044B000
	Psi 6090		
25	MPa 42	GN2TXT53024B000	GN2TXT53044B000
	Psi 6090		
32	MPa 42	GN2TXT63024B000	GN2TXT63044B000
	Psi 6090		
40	MPa 42	GN2TXT73024B000	GN2TXT73044B000
	Psi 6090		
50	MPa 42	GN2TXT83024B000	GN2TXT83044B000
	Psi 6090		

**(POM SEAL)**

GN SW EXTRALONG S6000

DN	PN	CS	SS
		Carbon Steel	Stainless Steel
		ITEM CODE	
6	MPa 41,4	GN2TXT1G024B000	GN2TXT1G044B000
	Psi 6000		
10	MPa 41,4	GN2TXT2G024B000	GN2TXT2G044B000
	Psi 6000		
13	MPa 41,4	GN2TXT3G024B000	GN2TXT3G044B000
	Psi 6000		
20	MPa 41,4	GN2TXT4G024B000	GN2TXT4G044B000
	Psi 6000		
25	MPa 41,4	GN2TXT5G024B000	GN2TXT5G044B000
	Psi 6000		
32	MPa 41,4	GN2TXT6G024B000	GN2TXT6G044B000
	Psi 6000		
40	MPa 41,4	GN2TXT7G024B000	GN2TXT7G044B000
	Psi 6000		
50	MPa 41,4	GN2TXT8G024B000	GN2TXT8G044B000
	Psi 6000		

**(PEEK SEAL)**

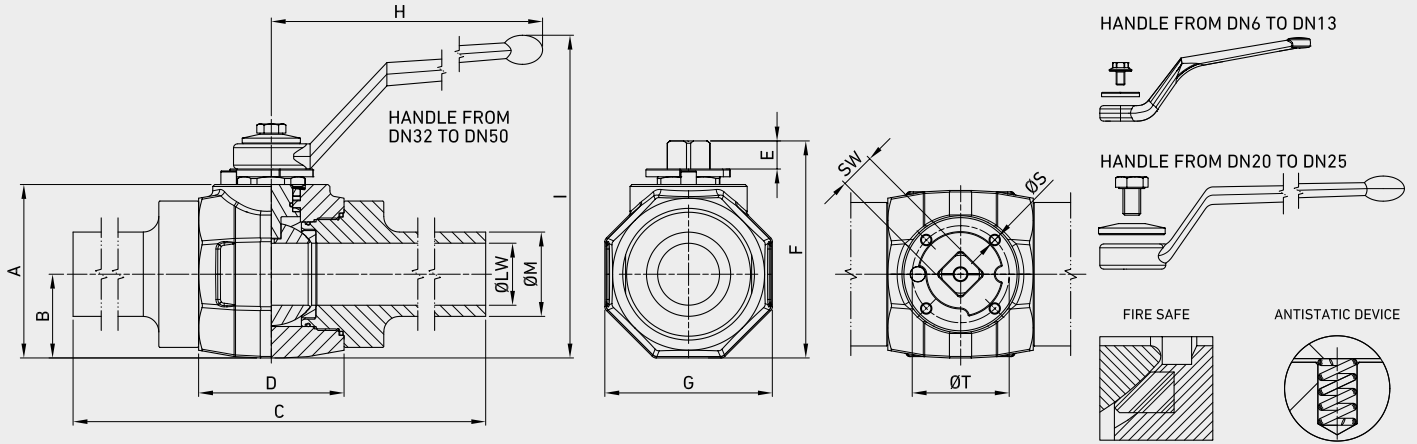
GN SW EXTRALONG S6000

DN	PN	CS	SS
		Carbon Steel	Stainless Steel
		ITEM CODE	
6	MPa 41,4	GN2TXT1G024N000	GN2TXT1G044N000
	Psi 6000		
10	MPa 41,4	GN2TXT2G024N000	GN2TXT2G044N000
	Psi 6000		
13	MPa 41,4	GN2TXT3G024N000	GN2TXT3G044N000
	Psi 6000		
20	MPa 41,4	GN2TXT4G024N000	GN2TXT4G044N000
	Psi 6000		
25	MPa 41,4	GN2TXT5G024N000	GN2TXT5G044N000
	Psi 6000		
32	MPa 41,4	GN2TXT6G024N000	GN2TXT6G044N000
	Psi 6000		
40	MPa 41,4	GN2TXT7G024N000	GN2TXT7G044N000
	Psi 6000		
50	MPa 41,4	GN2TXT8G024N000	GN2TXT8G044N000
	Psi 6000		

**(GEMPTFE SEAL)**

GN SW EXTRALONG S6000

DN	PN	CS	SS
		Carbon Steel	Stainless Steel
		ITEM CODE	
6	MPa 35,0	GN2TXT1G024I000	GN2TXT1G044I000
	Psi 5075		
10	MPa 35,0	GN2TXT2G024I000	GN2TXT2G044I000
	Psi 5075		
13	MPa 35,0	GN2TXT3G024I000	GN2TXT3G044I000
	Psi 5075		
20	MPa 17,5	GN2TXT4G024I000	GN2TXT4G044I000
	Psi 2537,5		
25	MPa 15,0	GN2TXT5G024I000	GN2TXT5G044I000
	Psi 2175		
32	MPa 10,0	GN2TXT6G024I000	GN2TXT6G044I000
	Psi 1450		
40	MPa 10,0	GN2TXT7G024I000	GN2TXT7G044I000
	Psi 1450		
50	MPa 10,0	GN2TXT8G024I000	GN2TXT8G044I000
	Psi 1450		



GN PE

TYPE	DN	A	B	C	D	E	F	ØG*	H	I	ØLW	LSC80	ØM	ØS	ISO 5211	ØT	SW	WEIGHT	
GN PE 1/4	6	mm	48,5	22	272	44	9,4	65	45	107	108	6	3,02	PE 1/4	M5	F03	36	9	kg 1,227
		inch	1,91	0,87	10,71	1,73	0,37	2,56	1,77	4,21	4,25	0,24	0,12				1,42	0,35	lb 2,71
GN PE 3/8	10	mm	48,5	22	272	44	9,4	65	45	107	108	10	3,2	PE 3/8	M5	F03	36	9	kg 1,27
		inch	1,91	0,87	10,71	1,73	0,37	2,56	1,77	4,21	4,25	0,39	0,13				1,42	0,35	lb 2,80
GN PE 1/2	13	mm	53	24	281	48	9,4	70	49	107	113	13	3,73	PE 1/2	M5	F03	36	9	kg 1,709
		inch	2,09	0,94	11,06	1,89	0,37	2,76	1,93	4,21	4,45	0,51	0,15				1,42	0,35	lb 3,77
GN PE 3/4	20	mm	66	30	298	62	13,4	88	61	200	123	20	3,91	PE 3/4	M6	F05	50	14	kg 3,159
		inch	2,60	1,18	11,73	2,44	0,53	3,46	2,40	7,87	4,84	0,79	0,15				1,97	0,55	lb 6,96
GN PE 1	25	mm	76	36	306	66	13,4	98	73	200	133	25	4,55	PE 1	M6	F05	50	14	kg 4,224
		inch	2,99	1,42	12,05	2,60	0,53	3,86	2,87	7,87	5,24	0,98	0,18				1,97	0,55	lb 9,31
GN PE 1 1/4	32	mm	89,5	43	327	75	14,5	112	86	310	166	32	4,85	PE 1 1/4	M6	F05	50	17	kg 4,751
		inch	3,52	1,69	12,87	2,95	0,57	4,41	3,39	12,20	6,54	1,26	0,19				1,97	0,67	lb 10,47
GN PE 1 1/2	40	mm	106	53	335	85	14	129	106	310	184	40	5,08	PE 1 1/2	M6	F05	50	17	kg 8,306
		inch	4,17	2,09	13,19	3,35	0,55	5,08	4,17	12,20	7,24	1,57	0,20				1,97	0,67	lb 18,31
GN PE2	50	mm	116	59	360	98	13,5	138	118	310	194	50	5,54	PE 2	M6	F05	50	17	kg 11,402
		inch	4,57	2,32	14,17	3,86	0,53	5,43	4,65	12,20	7,64	1,97	0,22				1,97	0,67	lb 25,14

**(POM SEAL)**  
 GN PE PN500

DN	PN	CS	SS
		Carbon Steel	Stainless Steel
		ITEM CODE	
6	MPa 50	GN2BWT15024B000	GN2BWT15044B000
	Psi 7250		
10	MPa 50	GN2BWT25024B000	GN2BWT25044B000
	Psi 7250		
13	MPa 50	GN2BWT35024B000	GN2BWT35044B000
	Psi 7250		
20	MPa 42	GN2BWT44024B000	GN2BWT44044B000
	Psi 6090		
25	MPa 42	GN2BWT53024B000	GN2BWT53044B000
	Psi 6090		
32	MPa 42	GN2BWT63024B000	GN2BWT63044B000
	Psi 6090		
40	MPa 42	GN2BWT73024B000	GN2BWT73044B000
	Psi 6090		
50	MPa 42	GN2BWT83024B000	GN2BWT83044B000
	Psi 6090		

**(POM SEAL)**  
 GN PE S6000

DN	PN	CS	SS
		Carbon Steel	Stainless Steel
		ITEM CODE	
6	MPa 41,4	GN2BWTG1024B000	GN2BWTG1044B000
	Psi 6000		
10	MPa 41,4	GN2BWT2G024B000	GN2BWT2G044B000
	Psi 6000		
13	MPa 41,4	GN2BWT3G024B000	GN2BWT3G044B000
	Psi 6000		
20	MPa 41,4	GN2BWT4G024B000	GN2BWT4G044B000
	Psi 6000		
25	MPa 41,4	GN2BWT5G024B000	GN2BWT5G044B000
	Psi 6000		
32	MPa 41,4	GN2BWT6G024B000	GN2BWT6G044B000
	Psi 6000		
40	MPa 41,4	GN2BWT7G024B000	GN2BWT7G044B000
	Psi 6000		
50	MPa 41,4	GN2BWT8G024B000	GN2BWT8G044B000
	Psi 6000		

**(PEEK SEAL)**  
 GN PE S6000

DN	PN	CS	SS
		Carbon Steel	Stainless Steel
		ITEM CODE	
6	MPa 41,4	GN2BWT1G024N000	GN2BWTG1044N000
	Psi 6000		
10	MPa 41,4	GN2BWT2G024N000	GN2BWT2G044N000
	Psi 6000		
13	MPa 41,4	GN2BW T3G024N000	GN2BWT3G044N000
	Psi 6000		
20	MPa 41,4	GN2BWT4G024N000	GN2BWT4G044N000
	Psi 6000		
25	MPa 41,4	GN2BW T5G024N000	GN2BWT5G044N000
	Psi 6000		
32	MPa 41,4	GN2BWT6G024N000	GN2BWT6G044N000
	Psi 6000		
40	MPa 41,4	GN2BWT7G024N000	GN2BWT7G044N000
	Psi 6000		
50	MPa 41,4	GN2BWT8G024N000	GN2BWT8G044N000
	Psi 6000		

**(GEMPTFE SEAL)**  
 GN PE S6000

DN	PN	CS	SS
		Carbon Steel	Stainless Steel
		ITEM CODE	
6	MPa 35,0	GN2BWT1G024I000	GN2BWT1G044I000
	Psi 5075		
10	MPa 35,0	GN2BWT2G024I000	GN2BWT2G044I000
	Psi 5075		
13	MPa 35,0	GN2BWT3G024I000	GN2BWT3G044I000
	Psi 5075		
20	MPa 17,5	GN2BWT4G024I000	GN2BWT4G044I000
	Psi 2537,5		
25	MPa 15,0	GN2BWT5G024I000	GN2BWT5G044I000
	Psi 2175		
32	MPa 10,0	GN2BWT6G024I000	GN2BWT6G044I000
	Psi 1450		
40	MPa 10,0	GN2BWT7G024I000	GN2BWT7G044I000
	Psi 1450		
50	MPa 10,0	GN2BWT8G024I000	GN2BWT8G044I000
	Psi 1450		



# GM

## 2-WAY HIGH PRESSURE BALL VALVES

**PE and SW extralong ends on request**

Edition. 21.6

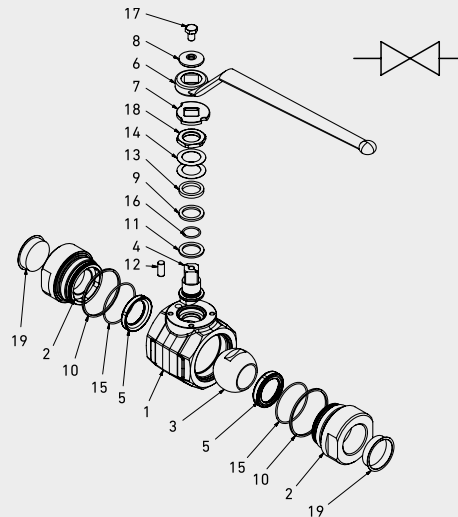
### CS Carbon Steel

- Type: ball valve 2way
- Sizes: from DN6 up to DN100
- Ends: BSP-NPT-SW-SWXT -PE BW
- O-Rings: NBR, FKM, EPDM, MVQ
- Pressure: up to PN500 / S3000
- Temp range: -46°C to +250°C (depending on materials selected)
- Treatment: Galvanized

### SS Stainless Steel

- Type: ball valve 2way
- Sizes: from DN6 up to DN100
- Ends: BSP-NPT-SW-SWXT -PE BW
- O-Rings: NBR, FKM, EPDM, MVQ
- Pressure: up to PN500 / S3000
- Temp range: -46°C to +250°C (depending on materials selected)

### STANDARD COMPOSITION OF VALVE



POS	DESCRIPTION	Q.TY	CS	SS	POS	DESCRIPTION	Q.TY	CS	SS
			Carbon Steel	Stainless Steel				Carbon Steel	Stainless Steel
			MATERIAL					MATERIAL	
1	Body	1	ASTM A350 LF2*	ASTMA182F316	11	Stem ring	2	PTFE	PTFE
2	Adapter	2	ASTM A350 LF2*	ASTMA182F316	12	Pin	1	AISI 316	AISI 316
3	Ball	1	ASTM A479 Tp.316	ASTMA479Tp.316	13	Press ring	1	AISI 316	AISI 316
4	Stem	1	ASTM A479 Tp.316	ASTMA479Tp.316	14	Spring	2	AISI 316	AISI 316
5	Ball Seat	2	POM	POM	15	Adapter o-ring	2	FKM	FKM
6	Handle	1	Fe37	Fe37	16	Stem o-ring	1	FKM	FKM
7	Washer	1	AISI 316	AISI 316	17	Screw	1	ISO4762 A4	ISO4762 A4
8	Washer	1	AISI 316	AISI 316	18	Nut	1	AISI 316	AISI 316
9	Body ring	1	Graphite	Graphite	19	Caps	2	PVC	PVC
10	Adapter ring	2	Graphite	Graphite					



**CODE DESCRIPTION STRUCTURE**

<b>GM</b>	<b>G1 1/2</b>	<b>DN13</b>	<b>LF2</b>	<b>F316</b>	<b>POM</b>
-----------	---------------	-------------	------------	-------------	------------

**Type and way of valve**

GM 2-way

**Ends**

GAS DIN/ ISO 228 BSP	NPT ANSI /ASME B1.20.1	SW
G 1/4	N 1/4	SW 1/4
G 3/8	N 3/8	SW 3/8
G 1/2	N 1/2	SW 1/2
G 3/4	N 3/4	SW 3/4
G 1	N 1	SW 1
G 1 1/4	N 1 1/4	SW 1 1/4
G 1 1/2	N 1 1/2	SW 1 1/2
G 2	N 2	SW 2
G 2 1/2	N 2 1/2	SW 2 1/2
G 3	N 3	SW 3
G 4	N 4	SW 4

**Sizes**

DN6	DN40
DN10	DN50
DN13	DN65
DN20	DN80
DN25	DN100
DN32	

**Body and adapter material**

- A105\* LF2
  - F316
- \*A105 from DN65 up to DN100

**Stem and ball material**

- F316
- F316

**Ball seat material**

POM PEEK\* PTFE\* GEMPTFE\*

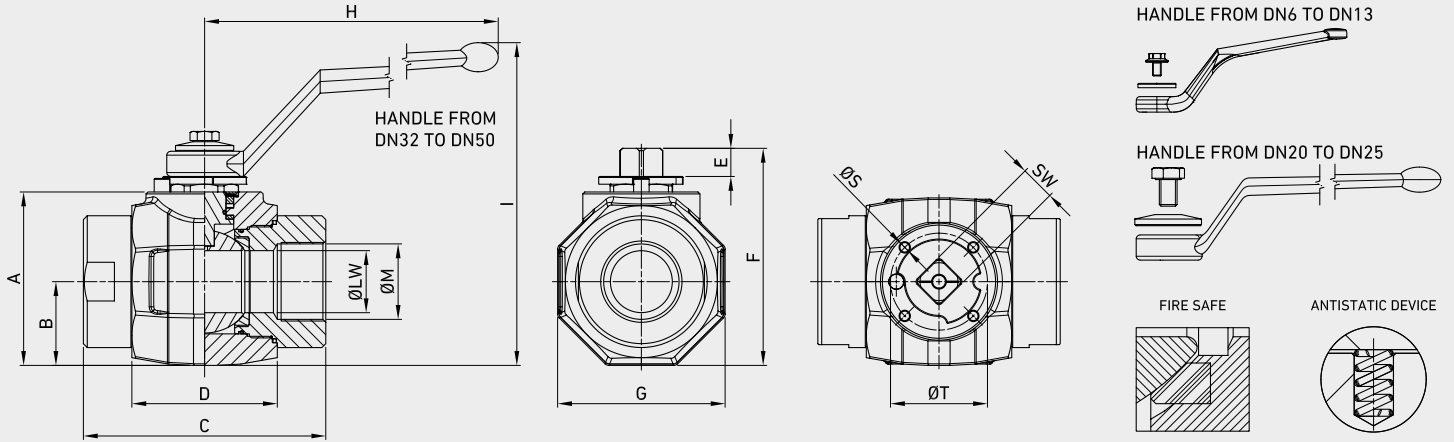
**Adapter and stem seal material**

FKM NBR\* EPDM\* MVQ\*

**\*On request**

- Reduced bore
- Special threads
- Pressure class up to PN500 or 3000 Psi
- Locking device
- PE and SW extralong ends

*For further special requests please consult our technical/commercial service.*



GM DIN/ISO 228 BSP

TYPE	DN		A	B	C	D	E	F	ØG*	H	I	ØM	SW	ØLW	WEIGHT
GM G 1/4	6	mm	48,5	22	72	44	9,4	65	45	107	108	G 1/4	9	6	kg 0,82
		inch	1,91	0,87	2,83	1,73	0,37	2,56	1,77	4,21	4,25		0,35	0,24	lb 1,81
GM G 3/8	10	mm	48,5	22	73	44	9,4	65	45	107	108	G 3/8	9	10	kg 0,82
		inch	1,91	0,87	2,87	1,73	0,37	2,56	1,77	4,21	4,25		0,35	0,39	lb 1,81
GM G 1/2	13	mm	53	24	81	48	9,4	70	49	107	113	G 1/2	9	13	kg 1,041
		inch	2,09	0,94	3,19	1,89	0,37	2,76	1,93	4,21	4,45		0,35	0,51	lb 2,30
GM G 3/4	20	mm	66	30	98	62	13,4	88	61	200	123	G 3/4	14	20	kg 2,089
		inch	2,60	1,18	3,86	2,44	0,53	3,46	2,40	7,87	4,84		0,55	0,79	lb 4,61
GM G 1	25	mm	98	36	106	66	13,4	98	73	200	123	G 1	14	25	kg 2,822
		inch	3,86	1,42	4,17	2,60	0,53	3,86	2,87	7,87	4,84		0,55	0,98	lb 6,22
GM G 1 1/4	32	mm	89,5	43	127	75	14,5	112	86	310	166	G 1 1/4	17	32	kg 4,508
		inch	3,52	1,69	5,00	2,95	0,57	4,41	3,39	12,20	6,54		0,67	1,26	lb 9,94
GM G 1 1/2	40	mm	106	53	135	85	14	129	106	310	184	G 1 1/2	17	40	kg 6,89
		inch	4,17	2,09	5,31	3,35	0,55	5,08	4,17	12,20	7,24		0,67	1,57	lb 15,19
GM G 2	50	mm	116	59	160	98	13,5	138	118	310	194	G 2	17	50	kg 9,628
		inch	4,57	2,32	6,30	3,86	0,53	5,43	4,65	12,20	7,64		0,67	1,97	lb 21,23
GM G 2 1/2	65	mm	140	70	174	105	23,5	176,5	150	600	226	G 2 1/2	19	65	kg 17,506
		inch	5,51	2,76	6,85	4,13	0,93	6,95	5,91	23,62	8,90		0,75	2,56	lb 38,59
GM G 3	80	mm	155	77,5	191,5	114	23,5	191	167	600	241	G 3	19	80	kg 22,896
		inch	6,10	3,05	7,54	4,49	0,93	7,52	6,57	23,62	9,49		0,75	3,15	lb 50,48
GM G 4	100	mm	188	94	230	148	31	231,5	200	600	278,5	G 4	24	100	kg 36,999
		inch	7,40	3,70	9,06	5,83	1,22	9,11	7,87	23,62	10,96		0,94	3,94	lb 81,57

\* This quote is a diameter for DN65-DN80-DN100. For all other sizes it is a polygon (8 or 12 sides)



**(POM SEAL) GM DIN/ISO 228 PN500**

DN	PN	CS	SS
		Carbon Steel	Stainless Steel
		ITEM CODE	
6	MPa 50	GM2GGT15024B000	GM2GGT15044B000
	Psi 7250		
10	MPa 50	GM2GGT25024B000	GM2GGT25044B000
	Psi 7250		
13	MPa 50	GM2GGT35024B000	GM2GGT35044B000
	Psi 7250		
20	MPa 42	GM2GGT44024B000	GM2GGT44044B000
	Psi 6090		
25	MPa 42	GM2GGT53024B000	GM2GGT53044B000
	Psi 6090		
32	MPa 42	GM2GGT63024B000	GM2GGT63044B000
	Psi 6090		
40	MPa 42	GM2GGT73024B000	GM2GGT73044B000
	Psi 6090		
50	MPa 42	GM2GGT83024B000	GM2GGT83044B000
	Psi 6090		
65	MPa 15	GM2GGT9C024B000	GM2GGT9C044B000
	Psi 2175		
80	MPa 10	GM2GGTA1024B000	GM2GGTA1044B000
	Psi 1450		
100	MPa 5	GM2GGTB1024B000	GM2GGTB1044B000
	Psi 725		

**(PTFE SEAL) GM DIN/ISO 228 S800**

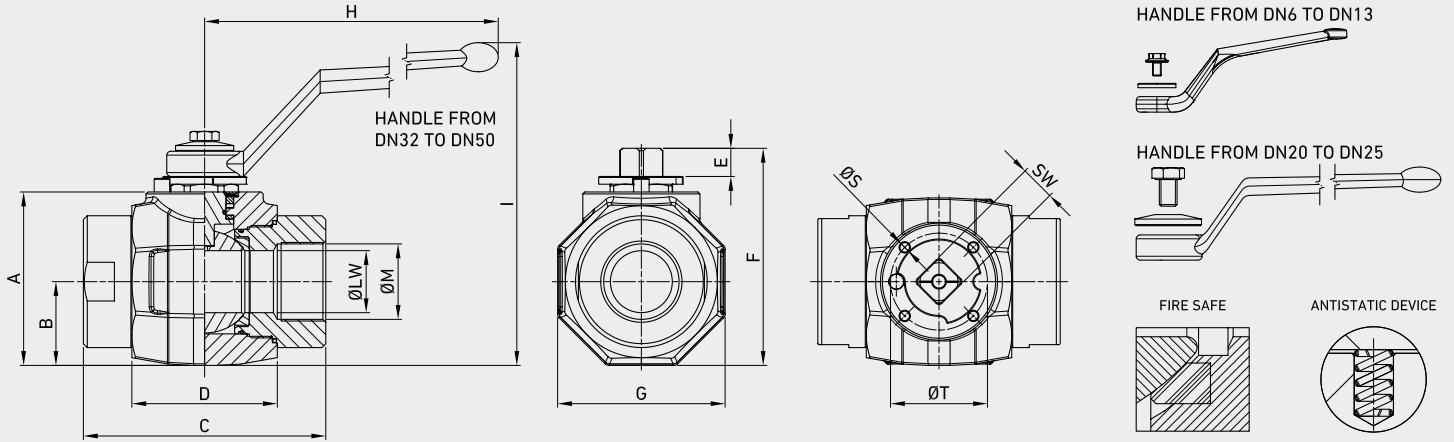
DN	PN	CS	SS
		Carbon Steel	Stainless Steel
		ITEM CODE	
6	MPa 13,0	GM2GGT1A024G000	GM2GGT1A044G000
	Psi 1885		
10	MPa 13,0	GM2GGT2A024G000	GM2GGT2A044G000
	Psi 1885		
13	MPa 13,0	GM2GGT3A024G000	GM2GGT3A044G000
	Psi 1885		
20	MPa 13,0	GM2GGT4A024G000	GM2GGT4A044G000
	Psi 1885		
25	MPa 13,0	GM2GGT5A024G000	GM2GGT5A044G000
	Psi 1885		
32	MPa 10,0	GM2GGT6A024G000	GM2GGT6A044G000
	Psi 1450		
40	MPa 10,0	GM2GG17A024G000	GM2GG17A044G000
	Psi 1450		
50	MPa 10,0	GM2GGT8A024G000	GM2GGT8A044G000
	Psi 1450		
65	MPa 10,0	GM2GGT9A024G000	GM2GGT9A044G000
	Psi 1450		
80	MPa 10,0	GM2GGTAA024G000	GM2GGTAA044G000
	Psi 1450		
100	MPa 5,0	GM2GGTBA024G000	GM2GGTBA044G000
	Psi 725		

**(POM SEAL) GM DIN/ISO 228 S3000**

DN	PN	CS	SS
		Carbon Steel	Stainless Steel
		ITEM CODE	
6	MPa 20,7	GM2GGT1F024B000	GM2GGT1F044B000
	Psi 3000		
10	MPa 20,7	GM2GGT2F024B000	GM2GGT2F044B000
	Psi 3000		
13	MPa 20,7	GM2GGT3F024B000	GM2GGT3F044B000
	Psi 3000		
20	MPa 20,7	GM2GGT4F024B000	GM2GGT4F044B000
	Psi 3000		
25	MPa 20,7	GM2GGT5F024B000	GM2GGT5F044B000
	Psi 3000		
32	MPa 20,7	GM2GGT6F024B000	GM2GGT6F044B000
	Psi 3000		
40	MPa 20,7	GM2GG17F024B000	GM2GG17F044B000
	Psi 3000		
50	MPa 20,7	GM2GGT8F024B000	GM2GGT8F044B000
	Psi 3000		
65	MPa 15	GM2GGT9F024B000	GM2GGT9F044B000
	Psi 3000		
80	MPa 10	GM2GGTAF024B000	GM2GGTAF044B000
	Psi 3000		
100	MPa 5	GM2GGTBF024B000	GM2GGTBF044B000
	Psi 3000		

**(GEMPTFE SEAL) GM DIN/ISO 228 S3000**

DN	PN	CS	SS
		Carbon Steel	Stainless Steel
		ITEM CODE	
6	MPa 20,7	GM2GGT1F024I000	GM2GGT1F044I000
	Psi 3000		
10	MPa 20,7	GM2GGT2F024I000	GM2GGT2F044I000
	Psi 3000		
13	MPa 20,7	GM2GGT3F024I000	GM2GGT3F044I000
	Psi 3000		
20	MPa 20,7	GM2GGT4F024I000	GM2GGT4F044I000
	Psi 3000		
25	MPa 20,7	GM2GGT5F024I000	GM2GGT5F044I000
	Psi 3000		
32	MPa 20,7	GM2GGT6F024I000	GM2GGT6F044I000
	Psi 3000		
40	MPa 20,7	GM2GGT7F024I000	GM2GGT7F044I000
	Psi 3000		
50	MPa 20,7	GM2GGT8F024I000	GM2GGT8F044I000
	Psi 3000		
65	MPa 15	GM2GGT9F024I000	GM2GGT9F044I000
	Psi 3000		
80	MPa 10	GM2GGTAF024I000	GM2GGTAF044I000
	Psi 3000		
100	MPa 5	GM2GGTBF024I000	GM2GGTBF044I000
	Psi 3000		



GM ANSI/ASME B1.20.1 NPT

TYPE	DN		A	B	C	D	E	F	ØG*	H	I	ØM	SW	ØLW	WEIGHT
GM N 1/4	6	mm	48,5	22	72	44	9,4	65	45	107	108	N 1/4	9	6	kg 0,82
		inch	1,91	0,87	2,83	1,73	0,37	2,56	1,77	4,21	4,25		0,35	0,24	lb 1,81
GM N 3/8	10	mm	48,5	22	73	44	9,4	65	45	107	105	N 3/8	9	10	kg 0,82
		inch	1,91	0,87	2,87	1,73	0,37	2,56	1,77	4,21	4,13		0,35	0,39	lb 1,81
GM N 1/2	13	mm	53	24	81	48	9,4	70	49	107	113	N 1/2	9	13	kg 1,041
		inch	2,09	0,94	3,19	1,89	0,37	2,76	1,93	4,21	4,45		0,35	0,51	lb 2,30
GM N 3/4	20	mm	66	30	98	62	13,4	88	61	200	123	N 3/4	14	20	kg 2,089
		inch	2,60	1,18	3,86	2,44	0,53	3,46	2,40	7,87	4,84		0,55	0,79	lb 4,61
GM N 1	25	mm	98	36	106	66	13,4	98	73	200	123	N 1	14	25	kg 2,822
		inch	3,86	1,42	4,17	2,60	0,53	3,86	2,87	7,87	4,84		0,55	0,98	lb 6,22
GM N 1 1/4	32	mm	89,5	43	127	75	14,5	112	86	310	166	N 1 1/4	17	32	kg 4,508
		inch	3,52	1,69	5,00	2,95	0,57	4,41	3,39	12,20	6,54		0,67	1,26	lb 9,94
GM N 1 1/2	40	mm	106	53	135	85	14	129	106	310	184	N 1 1/2	17	40	kg 6,89
		inch	4,17	2,09	5,31	3,35	0,55	5,08	4,17	12,20	7,24		0,67	1,57	lb 15,19
GM N 2	50	mm	116	59	160	98	13,5	138	118	310	194	N 2	17	50	kg 9,628
		inch	4,57	2,32	6,30	3,86	0,53	5,43	4,65	12,20	7,64		0,67	1,97	lb 21,23
GM N 2 1/2	65	mm	140	70	174	105	23,5	176,5	150	600	226	N 2 1/2	19	65	kg 17,506
		inch	5,51	2,76	6,85	4,13	0,93	6,95	5,91	23,62	8,90		0,75	2,56	lb 38,59
GM N 3	80	mm	155	77,5	191,5	114	23,5	191	167	600	241	N 3	19	80	kg 22,896
		inch	6,10	3,05	7,54	4,49	0,93	7,52	6,57	23,62	9,49		0,75	3,15	lb 50,48
GM N 4	100	mm	188	94	230	148	31	231,5	200	600	278,5	N 4	24	100	kg 36,999
		inch	7,40	3,70	9,06	5,83	1,22	9,11	7,87	23,62	10,96		0,94	3,94	lb 81,57

\* This quote is a diameter for DN65-DN80-DN100. For all other sizes it is a polygon (8 or 12 sides)

**(POM SEAL) GM ANSI/ASME B1.20.1 NPT PN500**

DN	PN	CS	SS
		Carbon Steel	Stainless Steel
		ITEM CODE	
6	MPa 50	GM2NNT15024B000	GM2NNT15044B000
	Psi 7250		
10	MPa 50	GM2NNT25024B000	GM2NNT25044B000
	Psi 7250		
13	MPa 50	GM2NNT35024B000	GM2NNT35044B000
	Psi 7250		
20	MPa 42	GM2NNT44024B000	GM2NNT44044B000
	Psi 6090		
25	MPa 42	GM2NNT53024B000	GM2NNT53044B000
	Psi 6090		
32	MPa 42	GM2NNT63024B000	GM2NNT63044B000
	Psi 6090		
40	MPa 42	GM2NNT73024B000	GM2NNT73044B000
	Psi 6090		
50	MPa 42	GM2NNT83024B000	GM2NNT83044B000
	Psi 6090		
65	MPa 15	GM2NNT9C024B000	GM2NNT9C044B000
	Psi 2175		
80	MPa 10	GM2NNTA1024B000	GM2NNTA1044B000
	Psi 1450		
100	MPa 5	GM2NNTB1024B000	GM2NNTB1044B000
	Psi 725		

**(PTFE SEAL) GM ANSI/ASME B1.20.1 NPT S800**

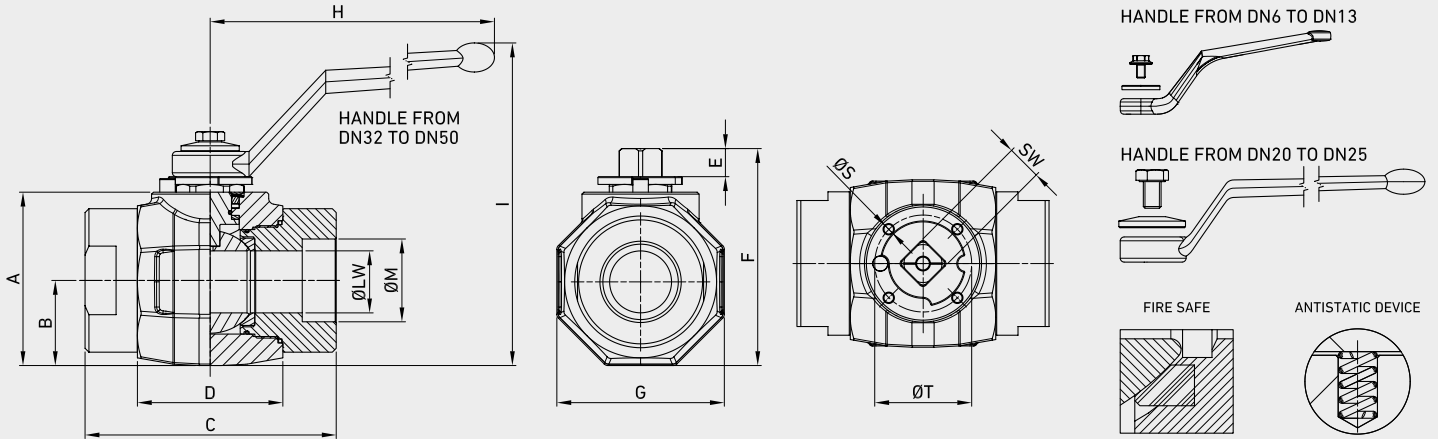
DN	PN	CS	SS
		Carbon Steel	Stainless Steel
		ITEM CODE	
6	MPa 13	GM2NNT1A024G000	GM2NNT1A044G000
	Psi 1885		
10	MPa 13	GM2NNT2A024G000	GM2NNT2A044G000
	Psi 1885		
13	MPa 13	GM2NNT3A024G000	GM2NNT3A044G000
	Psi 1885		
20	MPa 13	GM2NNT4A024G000	GM2NNT4A044G000
	Psi 1885		
25	MPa 13	GM2NNT5A024G000	GM2NNT5A044G000
	Psi 1885		
32	MPa 10	GM2NNT6A024G000	GM2NNT6A044G000
	Psi 1450		
40	MPa 10	GM2NNT7A024G000	GM2NNT7A044G000
	Psi 1450		
50	MPa 10	GM2NNT8A024G000	GM2NNT8A044G000
	Psi 1450		
65	MPa 10	GM2NNT9A024G000	GM2NNT9A044G000
	Psi 1450		
80	MPa 10	GM2NNTAA024G000	GM2NNTAA044G000
	Psi 1450		
100	MPa 5	GM2NNTBA024G000	GM2NNTBA044G000
	Psi 725		

**(POM SEAL) GM ANSI/ASME B1.20.1 NPT S3000**

DN	PN	CS	SS
		Carbon Steel	Stainless Steel
		ITEM CODE	
6	MPa 20,7	GM2NNT1F024B000	GM2NNT1F044B000
	Psi 3000		
10	MPa 20,7	GM2NNT2F024B000	GM2NNT2F044B000
	Psi 3000		
13	MPa 20,7	GM2NNT3F024B000	GM2NNT3F044B000
	Psi 3000		
20	MPa 20,7	GM2NNT4F024B000	GM2NNT4F044B000
	Psi 3000		
25	MPa 20,7	GM2NNT5F024B000	GM2NNT5F044B000
	Psi 3000		
32	MPa 20,7	GM2NNT6F024B000	GM2NNT6F044B000
	Psi 3000		
40	MPa 20,7	GM2NNT7F024B000	GM2NNT7F044B000
	Psi 3000		
50	MPa 20,7	GM2NNT8F024B000	GM2NNT8F044B000
	Psi 3000		
65	MPa 15	GM2NNT9F024B000	GM2NNT9F044B000
	Psi 2175		
80	MPa 10	GM2NNTAF024B000	GM2NNTAF044B000
	Psi 1450		
100	MPa 5	GM2NNTBF024B000	GM2NNTBF044B000
	Psi 725		

**(GEMPTFE SEAL) GM ANSI/ASME B1.20.1 NPT S3000**

DN	PN	CS	SS
		Carbon Steel	Stainless Steel
		ITEM CODE	
6	MPa 20,7	GM2NNT1F024I000	GM2NNT1F044I000
	Psi 3000		
10	MPa 20,7	GM2NNT2F024I000	GM2NNT2F044I000
	Psi 3000		
13	MPa 20,7	GM2NNT3F024I000	GM2NNT3F044I000
	Psi 3000		
20	MPa 20,7	GM2NNT4F024I000	GM2NNT4F044I000
	Psi 3000		
25	MPa 20,7	GM2NNT5F024I000	GM2NNT5F044I000
	Psi 3000		
32	MPa 20,7	GM2NNT6F024I000	GM2NNT6F044I000
	Psi 3000		
40	MPa 20,7	GM2NNT7F024I000	GM2NNT7F044I000
	Psi 3000		
50	MPa 20,7	GM2NNT8F024I000	GM2NNT8F044I000
	Psi 3000		
65	MPa 15	GM2NNT9F024I000	GM2NNT9F044I000
	Psi 3000		
80	MPa 10	GM2NNTAF024I000	GM2NNTAF044I000
	Psi 3000		
100	MPa 5	GM2NNTBF024I000	GM2NNTBF044I000
	Psi 3000		



GM SW

TYPE	DN		A	B	C	D	E	F	ØG*	H	I	ØM	SW	ØLW	WEIGHT
GM SW 1/4	6	mm	48,5	22	72	44	9,4	65	45	107	108	SW 1/4	9	6	kg 0,82
		inch	1,91	0,87	2,83	1,73	0,37	2,56	1,77	4,21	4,25		0,35	0,24	lb 1,81
GM SW 3/8	10	mm	48,5	22	73	44	9,4	65	45	107	105	SW 3/8	9	10	kg 0,82
		inch	1,91	0,87	2,87	1,73	0,37	2,56	1,77	4,21	4,13		0,35	0,39	lb 1,81
GM SW 1/2	13	mm	53	24	81	48	9,4	70	49	107	113	SW 1/2	9	13	kg 1,041
		inch	2,09	0,94	3,19	1,89	0,37	2,76	1,93	4,21	4,45		0,35	0,51	lb 2,30
GM SW 3/4	20	mm	66	30	98	62	13,4	88	61	200	123	SW 3/4	14	20	kg 2,089
		inch	2,60	1,18	3,86	2,44	0,53	3,46	2,40	7,87	4,84		0,55	0,79	lb 4,61
GMSW 1	25	mm	98	36	106	66	13,4	98	73	200	123	SW 1	14	25	kg 2,822
		inch	3,86	1,42	4,17	2,60	0,53	3,86	2,87	7,87	4,84		0,55	0,98	lb 6,22
GM SW 1 1/4	32	mm	89,5	43	127	75	14,5	112	86	310	166	SW 1 1/4	17	32	kg 4,508
		inch	3,52	1,69	5,00	2,95	0,57	4,41	3,39	12,20	6,54		0,67	1,26	lb 9,94
GM SW 1 1/2	40	mm	106	53	135	85	14	129	106	310	184	SW 1 1/2	17	40	kg 6,89
		inch	4,17	2,09	5,31	3,35	0,55	5,08	4,17	12,20	7,24		0,67	1,57	lb 15,19
GM SW 2	50	mm	116	59	160	98	13,5	138	118	310	194	SW 2	17	50	kg 9,628
		inch	4,57	2,32	6,30	3,86	0,53	5,43	4,65	12,20	7,64		0,67	1,97	lb 21,23
GM SW 2 1/2	65	mm	140	70	174	105	23,5	176,5	150	600	226	SW 2 1/2	19	65	kg 17,506
		inch	5,51	2,76	6,85	4,13	0,93	6,95	5,91	23,62	8,90		0,75	2,56	lb 38,59
GM SW 3	80	mm	155	77,5	191,5	114	23,5	191	167	600	241	SW 3	19	80	kg 22,896
		inch	6,10	3,05	7,54	4,49	0,93	7,52	6,57	23,62	9,49		0,75	3,15	lb 50,48
GM SW 4	100	mm	188	94	230	148	31	231,5	200	600	278,5	SW 4	24	100	kg 36,999
		inch	7,40	3,70	9,06	5,83	1,22	9,11	7,87	23,62	10,96		0,94	3,94	lb 81,57

\* This quote is a diameter for DN65-DN80-DN100. For all other sizes it is a polygon (8 or 12 sides)

**(POM SEAL) GM SW PN500**

DN	PN	CS	SS
		Carbon Steel	Stainless Steel
		ITEM CODE	
6	MPa 50	GM2TTT15024B000	GM2TTT15044B000
	Psi 7250		
10	MPa 50	GM2TTT25024B000	GM2TTT25044B000
	Psi 7250		
13	MPa 50	GM2TTT35024B000	GM2TTT35044B000
	Psi 7250		
20	MPa 42	GM2TTT44024B000	GM2TTT44044B000
	Psi 6090		
25	MPa 42	GM2TTT53024B000	GM2TTT53044B000
	Psi 6090		
32	MPa 42	GM2TTT63024B000	GM2TTT63044B000
	Psi 6090		
40	MPa 42	GM2TTT73024B000	GM2TTT73044B000
	Psi 6090		
50	MPa 42	GM2TTT83024B000	GM2TTT83044B000
	Psi 6090		
65	MPa 15	GM2TTT9C024B000	GM2TTT9C044B000
	Psi 2175		
80	MPa 10	GM2TTTA1024B000	GM2TTTA1044B000
	Psi 1450		
100	MPa 5	GM2TTTB1024B000	GM2TTTB1044B000
	Psi 725		

**(PTFE SEAL) GM SW S800**

DN	PN	CS	SS
		Carbon Steel	Stainless Steel
		ITEM CODE	
6	MPa 13	GM2TTT1A024G000	GM2TTT1A044G000
	Psi 1885		
10	MPa 13	GM2TTT2A024G000	GM2TTT2A044G000
	Psi 1885		
13	MPa 13	GM2TTT3A024G000	GM2TTT3A044G000
	Psi 1885		
20	MPa 13	GM2TTT4A024G000	GM2TTT4A044G000
	Psi 1885		
25	MPa 13	GM2TTT5A024G000	GM2TTT5A044G000
	Psi 1885		
32	MPa 13	GM2TTT6A024G000	GM2TTT6A044G000
	Psi 1885		
40	MPa 13	GM2TTT7A024G000	GM2TTT7A044G000
	Psi 1885		
50	MPa 13	GM2TTT8A024G000	GM2TTT8A044G000
	Psi 1885		

**(POM SEAL) GM SW S3000**

DN	PN	CS	SS
		Carbon Steel	Stainless Steel
		ITEM CODE	
6	MPa 20,7	GM2TTT1F024B000	GM2TTT1F044B000
	Psi 3000		
10	MPa 20,7	GM2TTT2F024B000	GM2TTT2F044B000
	Psi 3000		
13	MPa 20,7	GM2TTT3F024B000	GM2TTT3F044B000
	Psi 3000		
20	MPa 20,7	GM2TTT4F024B000	GM2TTT4F044B000
	Psi 3000		
25	MPa 20,7	GM2TTT5F024B000	GM2TTT5F044B000
	Psi 3000		
32	MPa 20,7	GM2TTT6F024B000	GM2TTT6F044B000
	Psi 3000		
40	MPa 20,7	GM2TTT7F024B000	GM2TTT7F044B000
	Psi 3000		
50	MPa 20,7	GM2TTT8F024B000	GM2TTT8F044B000
	Psi 3000		
65	MPa 15	GM2TTT9F024B000	GM2TTT9F044B000
	Psi 3000		
80	MPa 10	GM2TTTAF024B000	GM2TTTAF044B000
	Psi 3000		
100	MPa 5	GM2TTTBF024B000	GM2TTTBF044B000
	Psi 3000		

**(GEMPTFE SEAL) GM SW S3000**

DN	PN	CS	SS
		Carbon Steel	Stainless Steel
		ITEM CODE	
6	MPa 20,7	GM2TTT1F024I000	GM2TTT1F044I000
	Psi 3000		
10	MPa 20,7	GM2TTT2F024I000	GM2TTT2F044I000
	Psi 3000		
13	MPa 20,7	GM2TTT3F024I000	GM2TTT3F044I000
	Psi 3000		
20	MPa 20,7	GM2TTT4F024I000	GM2TTT4F044I000
	Psi 3000		
25	MPa 20,7	GM2TTT5F024I000	GM2TTT5F044I000
	Psi 3000		
32	MPa 20,7	GM2TTT6F024I000	GM2TTT6F044I000
	Psi 3000		
40	MPa 20,7	GM2TTT7F024I000	GM2TTT7F044I000
	Psi 3000		
50	MPa 20,7	GM2TTT8F024I000	GM2TTT8F044I000
	Psi 3000		
65	MPa 15	GM2TTT9F024I000	GM2TTT9F044I000
	Psi 3000		
80	MPa 10	GM2TTTAF024I000	GM2TTTAF044I000
	Psi 3000		
100	MPa 5	GM2TTTBF024I000	GM2TTTBF044I000
	Psi 3000		



# SBF-W

## WAFER TYPE BALL VALVES

Edition. 21.0

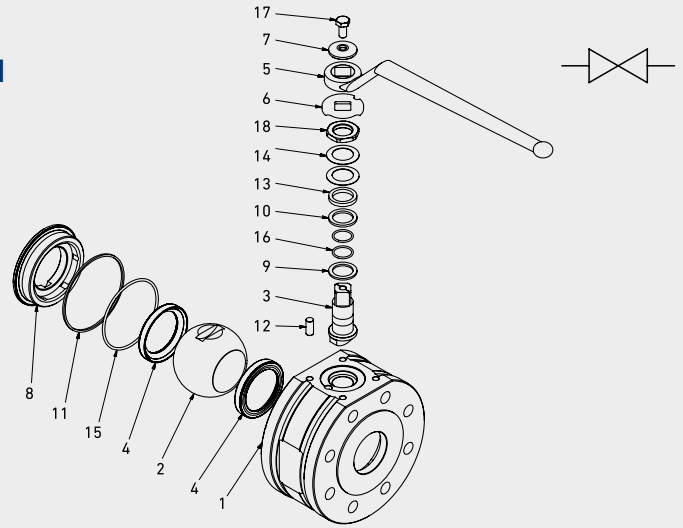
### CS Carbon Steel

- Treatment: Galvanized

### SS Stainless Steel

- **CS, SS, DSS, ALLOY (Forged)**
- Type: ball valve Split Body Floating-Wafer type
- Sizes: from DN13 up to DN150
- Pressure: ANSI150-600
- Temperature: from -50° up to +200° (depending on materials selected)

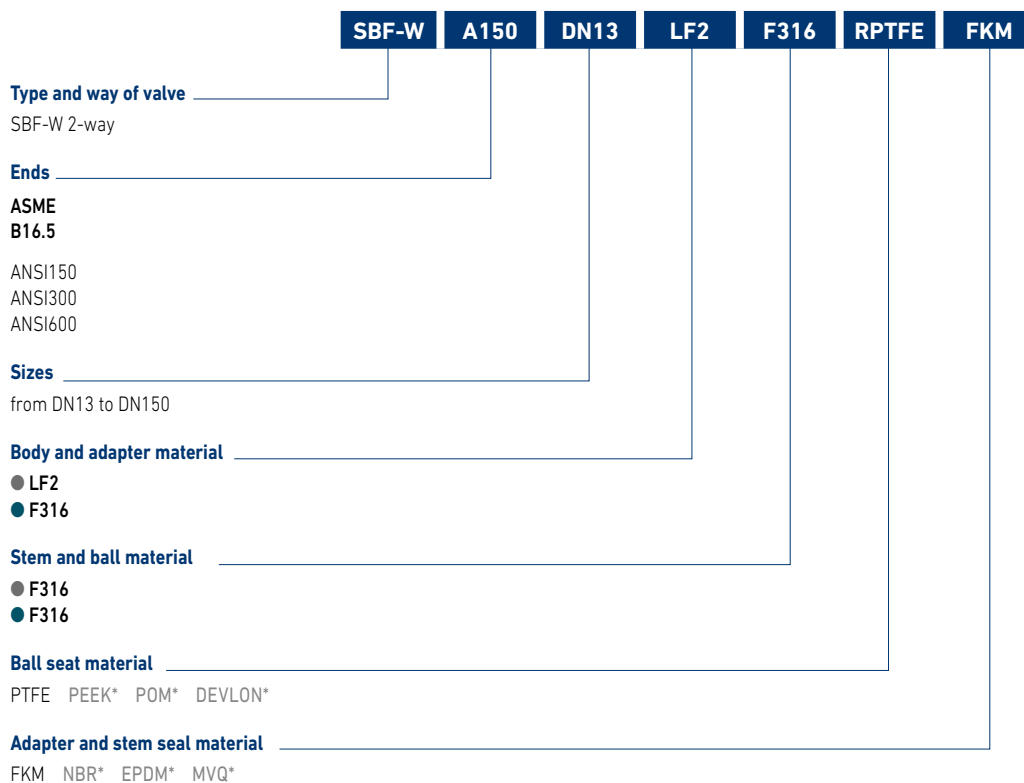
### STANDARD COMPOSITION OF VALVE



POS	DESCRIPTION	Q.TY	CS	SS
			Carbon Steel	Stainless Steel
			MATERIAL	
1	Body	1	ASTM A350 LF2	ASTM A479 Tp.316
2	Ball	1	ASTM A479 Tp.316	ASTM A479 Tp.316
3	Stem	1	ASTM A479 Tp.316	ASTM A479 Tp.316
4	Ball seat	2	RPTFE	RPTFE
5	Handle	1	Fe37	Fe37
6	Washer	1	AISI 316	AISI 316
7	Washer	1	AISI 316	AISI 316
8	Adapter	1	ASTM A350 LF2	ASTM A479 Tp.316
9	Stem ring	1	PTFE	PTFE
10	Up ring	1	Graphite	Graphite
11	Flange ring	1	Graphite	Graphite
12	Pin	1	AISI 316	AISI 316
13	Press ring	1	AISI 316	AISI 316
14	Spring	2	AISI 316	AISI 316
15	Ring nut o-ring	1	FKM	FKM
16	Stem o-ring	1	FKM	FKM
17	Screw	1	ISO4017 A4	ISO4017 A4
18	Nut	1	AISI 316	AISI 316



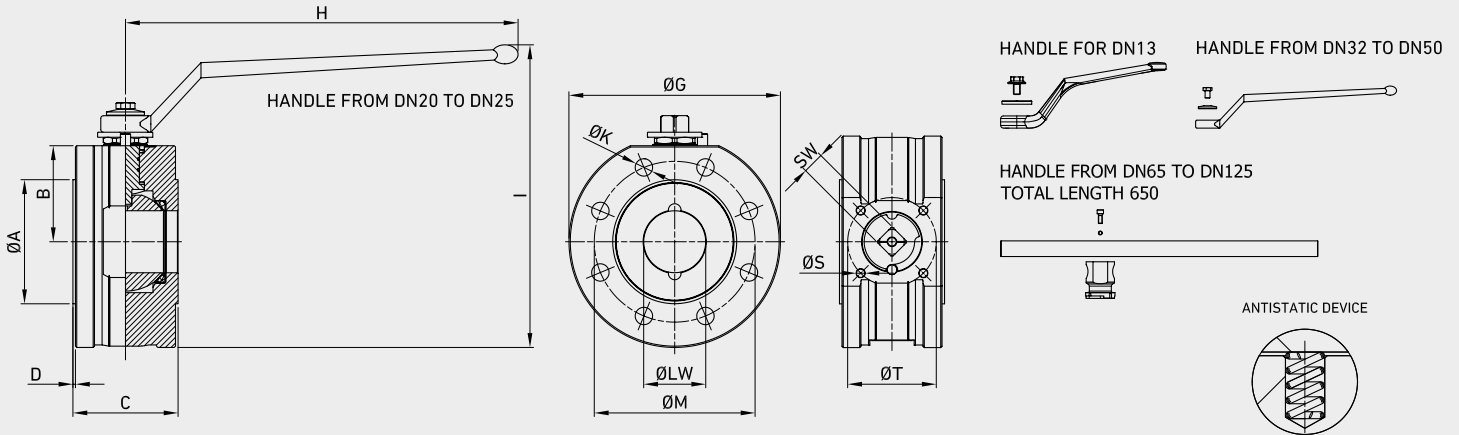
### CODE DESCRIPTION STRUCTURE



\*On request

- Reduced bore
- Pneumatic and electrical actuator
- Locking device

*For further special requests please consult our technical/commercial service.*



SBF-W ANSI 150 FB

TYPE	PN	ØE LINEA	ØA	B	C	D	H	I	ØM	ØG	ØK	n°ØK	ØT	ØS	ISO 5211	SW	ØLW	WEIGHT	CS	SS
																			Carbon Steel	Stainless Steel
																			ITEM CODE	
1/2"	MPa 2	mm 90	46	33	36	1,6	110	137	60,3	94	M12	4	36	M5	F03	9	13	kg 1,5	G514404A1505BAA	G514404A2305BAA
	Psi 290	inch 3,54	1,81	1,30	1,42	0,06	4,33	5,39	2,37	3,70		0,16	1,42		0,35	0,51	lb 3,31			
3/4"	MPa 2	mm 100	57	39	48	1,6	200	143	69,9	98	M12	4	36	M5	F03	14	20	kg 2,5	G514405A1505BAA	G514405A2305BAA
	Psi 290	inch 3,94	2,24	1,54	1,89	0,06	7,87	5,63	2,75	3,86		0,16	1,42		0,55	0,79	lb 5,51			
1"	MPa 2	mm 110	64	41,5	48	1,6	200	149	79,4	104	M12	4	50	M6	F05	14	25	kg 4	G514406A1505BAA	G514406A2305BAA
	Psi 290	inch 4,33	2,52	1,63	1,89	0,06	7,87	5,87	3,13	4,09		0,16	1,97		0,55	0,98	lb 8,82			
1-1/4"	MPa 2	mm 115	69	48	53	2	310	183	88,9	118	M12	4	50	M6	F05	17	32	kg 5,2	G514407A1505BAA	G514407A2305BAA
	Psi 290	inch 4,53	2,72	1,89	2,09	0,08	12,20	7,20	3,50	4,65		0,16	1,97		0,67	1,26	lb 11,46			
1-1/2"	MPa 2	mm 125	85	52,5	63	2	310	200	98,4	135	M12	4	70	M8	F07	17	40	kg 7,3	G514408A1505BAA	G514408A2305BAA
	Psi 290	inch 4,92	3,35	2,07	2,48	0,08	12,20	7,87	3,87	5,31		0,16	2,76		0,67	1,57	lb 16,09			
2"	MPa 2	mm 150	98	56	83	2	310	209	120,7	147	M16	4	70	M8	F07	17	49	kg 11,8	G514410A1505BAA	G514410A2305BAA
	Psi 290	inch 5,91	3,86	2,20	3,27	0,08	12,20	8,23	4,75	5,79		0,16	2,76		0,67	1,93	lb 26,01			
2-1/2"	MPa 2	mm 180	122	80	107	2	450	176	139,7	185	M16	4	70	M8	F07	19	63	kg 17,6	G514412A1505BAA	G514412A2305BAA
	Psi 290	inch 7,09	4,80	3,15	4,21	0,08	17,72	6,93	5,50	7,28		0,16	2,76		0,75	2,48	lb 38,80			
3"	MPa 2	mm 190	135	82,5	120	2	450	245	152,4	187	M16	4	70	M8	F07	19	74	kg 25	G514414A1505BAA	G514414A2305BAA
	Psi 290	inch 7,48	5,31	3,25	4,72	0,08	17,72	9,65	6,00	7,36		0,16	2,76		0,75	2,91	lb 55,12			
4"	MPa 2	mm 230	173	113	152	2	450	327	190,5	246	M16	8	102	M10	F10	24	95	kg 38	G514418A1505BAA	G514418A2305BAA
	Psi 290	inch 9,06	6,81	4,45	5,98	0,08	17,72	12,87	7,50	9,69		0,31	4,02		0,94	3,74	lb 83,78			
6"	MPa 2	mm 280	216	156	255	2	-	234,5	241,3	330	M20	8	165	F10	Ø 50*	150	kg 132	G514422A1505BAA	G514422A2305BAA	
	Psi 290	inch 11,02	8,50	6,14	10,04	0,08	-	9,23	9,50	12,99		0,31	6,50		0,87	Ø 1,97*	5,91			lb 291,01

\*stem with key



**SBF-W ANSI 300 FB**

																	CS Carbon Steel	SS Stainless Steel		
																	ITEM CODE			
TYPE	PN	ØE LINEA	ØA	B	C	D	H	I	ØM	ØG	ØK	n°ØK	ØT	ØS	ISO 5211	SW	ØLW	WEIGHT		
1/2"	MPa 5	mm 95	46	33	36	1,6	110	137	66,7	94	M12	4	36	M5	F03	9	13	kg 1,5	G514404A1505DAA	G514404A2305DAA
	Psi 725	inch 3,74	1,81	1,30	1,42	0,06	4,33	5,39	2,63	3,70		0,16	1,42			0,35	0,51	lb 3,31		
3/4"	MPa 5	mm 115	57	39	48	1,6	200	150	82,6	112	M16	4	50	M6	F05	14	20	kg 2,5	G514405A1505DAA	G514405A2305DAA
	Psi 725	inch 4,53	2,24	1,54	1,89	0,06	7,87	5,91	3,25	4,41		0,16	1,97			0,55	0,79	lb 5,51		
1"	MPa 5	mm 125	64	41,5	48	1,6	200	154	88,9	114	M16	4	50	M6	F05	14	25	kg 4,6	G514406A1505DAA	G514406A2305DAA
	Psi 725	inch 4,92	2,52	1,63	1,89	0,06	7,87	6,06	3,50	4,49		0,16	1,97			0,55	0,98	lb 10,14		
1-1/4"	MPa 5	mm 135	69	49	53	2	310	186	98,4	123	M16	4	50	M6	F05	17	32	kg 5,2	G514407A1505DAA	G514407A2305DAA
	Psi 725	inch 5,31	2,72	1,93	2,09	0,08	12,20	7,32	3,87	4,84		0,16	1,97			0,67	1,26	lb 11,46		
1-1/2"	MPa 5	mm 155	85	55	63	2	310	206	114,3	146	M20	4	70	M8	F07	17	40	kg 7,3	G514408A1505DAA	G514408A2305DAA
	Psi 725	inch 6,10	3,35	2,17	2,48	0,08	12,20	8,11	4,50	5,75		0,16	2,76			0,67	1,57	lb 16,09		
2"	MPa 5	mm 165	98	75,8	83	2	310	239	127	167	M16	8	70	M8	F07	17	49	kg 15	G514410A1505DAA	G514410A2305DAA
	Psi 725	inch 6,50	3,86	2,98	3,27	0,08	12,20	9,41	5,00	6,57		0,31	2,76			0,67	1,93	lb 33,07		
2-1/2"	MPa 5	mm 190	122	85	125	2	450	176	149,2	190	M20	8	70	M8	F07	19	63	kg 21	G514412A1505DAA	G514412A2305DAA
	Psi 725	inch 7,48	4,80	3,35	4,92	0,08	17,72	6,93	5,87	7,48		0,31	2,76			0,75	2,48	lb 46,30		
3"	MPa 5	mm 210	142	94	120	2	450	268	168,3	207	M20	8	70	M8	F07	19	74	kg 35	G514414A1505DAA	G514414A2305DAA
	Psi 725	inch 8,27	5,59	3,70	4,72	0,08	17,72	10,55	6,63	8,15		0,31	2,76			0,75	2,91	lb 77,16		
4"	MPa 5	mm 255	173	113	152	2	450	327	200	246	M20	8	102	M10	F10	24	95	kg 58	G514418A1505DAA	G514418A2305DAA
	Psi 725	inch 10,04	6,81	4,45	5,98	0,08	17,72	12,87	7,87	9,69		0,31	4,02			0,94	3,74	lb 127,87		
6"	MPa 5	mm 320	216	156	255	2	-	234,5	269,9	330	M20	12	165	F10	Ø 50*	150	kg 132	G514422A1505DAA	G514422A2305DAA	
	Psi 725	inch 12,60	8,50	6,14	10,04	0,08	-	9,23	10,63	12,99		0,47	6,50			0,87	Ø 1,97*			5,91

\*stem with key

**SBF-W ANSI 600 FB**

																	CS Carbon Steel	SS Stainless Steel		
																	ITEM CODE			
TYPE	PN	ØE LINEA	ØA	B	C	D	H	I	ØM	ØG	ØK	n°ØK	ØT	ØS	ISO 5211	SW	ØLW	WEIGHT		
1/2"	MPa 10	mm 95	46	33	55	1,6	110	137	66,7	94	M12	4	36	M5	F03	9	13	kg 3	G514404A1505FAA	G514404A2305FAA
	Psi 1450	inch 3,74	1,81	1,30	2,17	0,06	4,33	5,39	2,63	3,70		0,16	1,42			0,35	0,51	lb 6,61		
3/4"	MPa 10	mm 115	57	39	60	1,6	200	150	82,6	114	M16	4	50	M6	F05	14	20	kg 5	G514405A1505FAA	G514405A2305FAA
	Psi 1450	inch 4,53	2,24	1,54	2,36	0,06	7,87	5,91	3,25	4,49		0,16	1,97			0,55	0,79	lb 11,02		
1"	MPa 10	mm 125	64	42	65	1,6	200	160	88,9	124	M16	4	50	M6	F05	14	25	kg 6,5	G514406A1505FAA	G514406A2305FAA
	Psi 1450	inch 4,92	2,52	1,65	2,56	0,06	7,87	6,30	3,50	4,88		0,16	1,97			0,55	0,98	lb 14,33		
1-1/4"	MPa 10	mm 135	69	49	75	2	310	186	98,4	123	M16	4	70	M8	F07	17	32	kg 9	G514407A1505FAA	G514407A2305FAA
	Psi 1450	inch 5,31	2,72	1,93	2,95	0,08	12,20	7,32	3,87	4,84		0,16	2,76			0,67	1,26	lb 19,84		
1-1/2"	MPa 10	mm 155	85	53	85	2	310	206	114,3	146	M20	4	70	M8	F07	17	40	kg 12,4	G514408A1505FAA	G514408A2305FAA
	Psi 1450	inch 6,10	3,35	2,09	3,35	0,08	12,20	8,11	4,50	5,75		0,16	2,76			0,67	1,57	lb 27,34		
2"	MPa 10	mm 165	98	75,8	100	2	310	239	127	167	M16	8	70	M8	F07	17	49	kg 15	G514410A1505FAA	G514410A2305FAA
	Psi 1450	inch 6,50	3,86	2,98	3,94	0,08	12,20	9,41	5,00	6,57		0,31	2,76			0,67	1,93	lb 33,07		
2-1/2"	MPa 10	mm 190	122	85	125	2	450	176	149,2	190	M20	8	70	M8	F07	19	63	kg 21	G514412A1505FAA	G514412A2305FAA
	Psi 1450	inch 7,48	4,80	3,35	4,92	0,08	17,72	6,93	5,87	7,48		0,31	2,76			0,75	2,48	lb 46,30		
3"	MPa 10	mm 210	142	94	150	2	450	268	168,3	207	M20	8	70	M8	F07	19	74	kg 35	G514414A1505FAA	G514414A2305FAA
	Psi 1450	inch 8,27	5,59	3,70	5,91	0,08	17,72	10,55	6,63	8,15		0,31	2,76			0,75	2,91	lb 77,16		
4"	MPa 10	mm 275	173	116	185	2	450	331	215,9	253	M22	8	102	M10	F10	24	95	kg 70	G514418A1505FAA	G514418A2305FAA
	Psi 1450	inch 10,83	6,81	4,57	7,28	0,08	17,72	13,03	8,50	9,96		0,31	4,02			0,94	3,74	lb 154,32		
6"	MPa 10	mm 355	216	156	280	2	-	246,5	292,1	355	M24	12	165	F10	Ø 50*	150	kg 174	G514422A1505FAA	G514422A2305FAA	
	Psi 1450	inch 13,98	8,50	6,14	11,02	0,08	-	9,70	11,50	13,98		0,47	6,50			0,87	Ø 1,97*			5,91

\*stem with key



# SBF

## SPLIT BODY FLOATING

Edition. 21.0

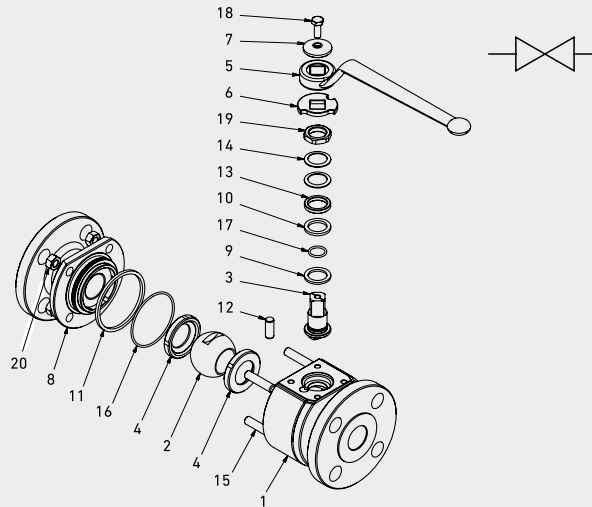
### CS Carbon Steel

- Treatment: Paint protection

### SS Stainless Steel

- **CS, SS, DSS, ALLOY (Forged)**
- Type: ball valve Split Body Floating
- Sizes: from DN13 up to DN150
- Pressure: ANSI 150-2500
- Temperature: from -50° up to +200° (depending on materials selected)

### STANDARD COMPOSITION OF VALVE



POS	DESCRIPTION	Q.TY	CS	SS	POS	DESCRIPTION	Q.TY	CS	SS
			Carbon Steel	Stainless Steel				Carbon Steel	Stainless Steel
			MATERIAL					MATERIAL	
1	Body	1	ASTM A350 LF2	ASTM A479 Tp.316	11	Flange ring	1	Graphite	Graphite
2	Ball	1	ASTM A479 Tp.316	ASTM A479 Tp.316	12	Pin	1	AISI 316	AISI 316
3	Stem	1	ASTM A479 Tp.316	ASTM A479 Tp.316	13	Press ring	1	AISI 316	AISI 316
4	Ball seat	2	RPTFE	RPTFE	14	Spring	2	AISI 316	AISI 316
5	Handle	1	Fe37	Fe37	15	Bolts	8	ASTM A320 L7M	ASTM A193 B8M CL2
6	Washer	1	AISI 316	AISI 316	16	Flange o-ring	1	FKM	FKM
7	Washer	1	AISI 316	AISI 316	17	Stem o-ring	1	FKM	FKM
8	Flange	1	ASTM A350 LF2	ASTM A479 Tp.316	18	Screw	2	ISO 4017 A4	ISO 4017 A4
9	Stem ring	1	PTFE	PTFE	19	Nut	1	AISI 316	AISI 316
10	Up ring	1	Graphite	Graphite	20	Nut	8	ASTM A194 Gr.7M	ASTM A194 Gr.8M

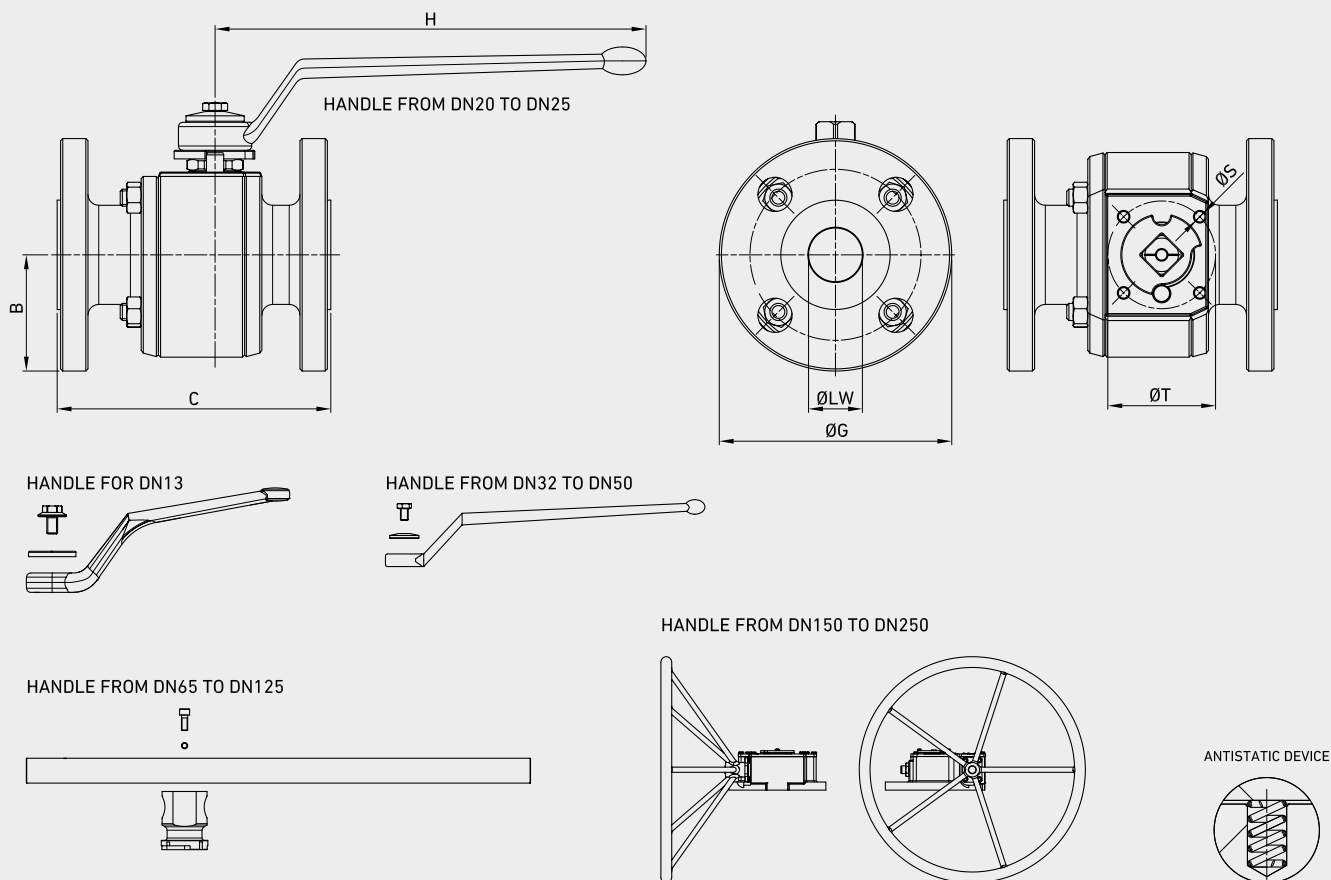


**CODE DESCRIPTION STRUCTURE**

SBF	ANSI600	2"	DN50	FB	LF2	F316	RPTFE	FKM	RF
<p><b>Type and way of valve</b> _____ SBF Split body floating bolted body</p> <p><b>Valves dimension of pressure (LBS)</b> _____ ANSI150 ANSI300 ANSI600 ANSI900 ANSI1500 ANSI2500</p> <p><b>Sizes</b> _____ from 1/2 to 6 inch</p> <p><b>Sizes</b> _____ from DN13 up to DN150</p> <p><b>Bore</b> _____ FB full bore RB reduce bore</p> <p><b>Body material</b> _____ ● A105* LF2 ● F316</p> <p><b>Stem material</b> _____ ● F316 A105* LF2* F51* F304* ● F316 A105* LF2* F51* F304*</p> <p><b>Ball seat material</b> _____ RPTFE PEEK* POM* DEVLON* MET-TO-MET*</p> <p><b>Adapter and stem seal material</b> _____ FKM NBR* EPDM* MVQ*</p> <p><b>Flanged</b> _____ RF RTJ* BW* FF*</p>									

\*On request  
 • Pneumatic and electrical actuator  
 • Locking device

*For further special requests please consult our technical/commercial service.*



**SPLIT BODY**

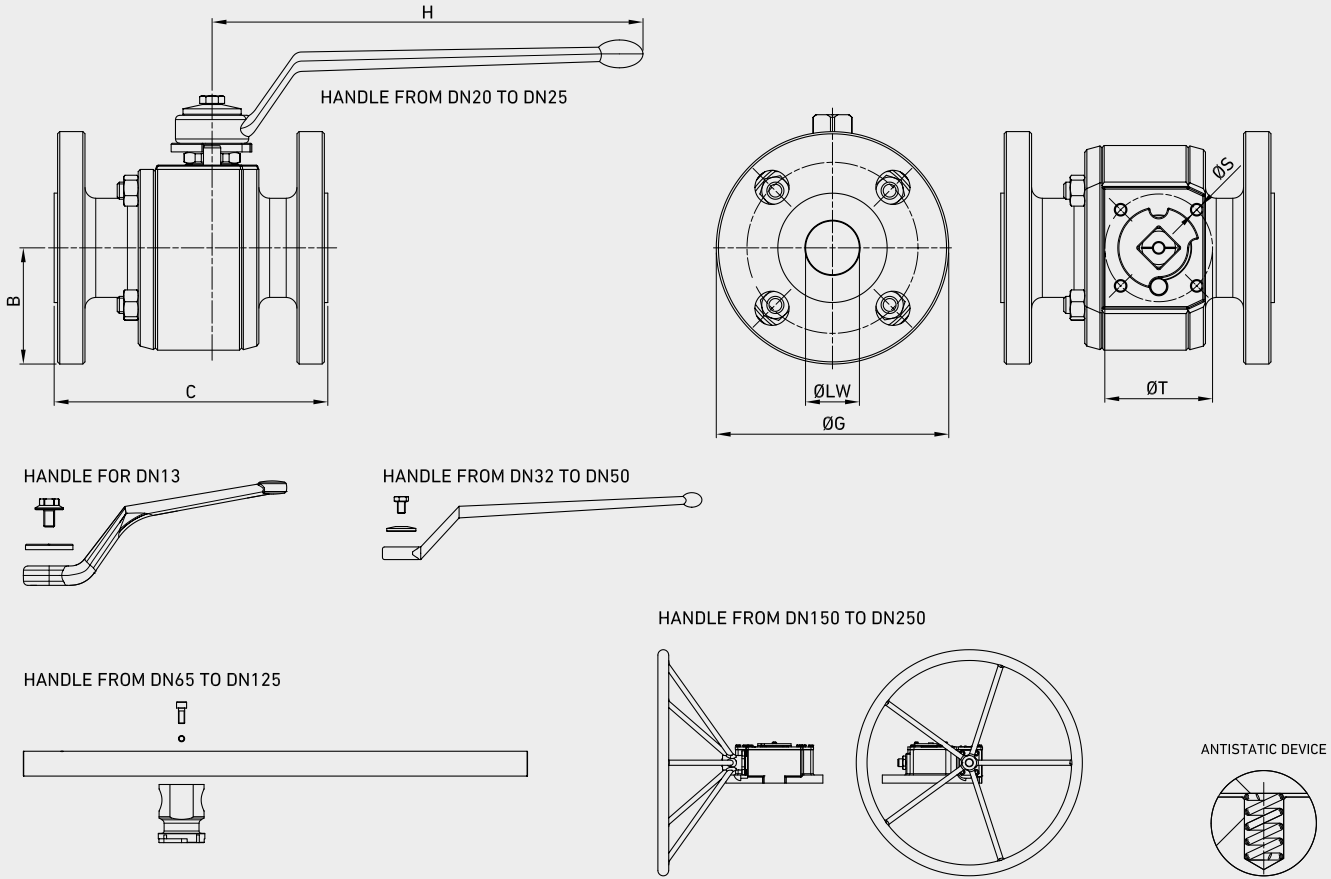
COMPONENTS	MATERIAL	MIN / MAX TEMP.	PROVISIONS
BODY AND FLANGE	ASTM A105	-20°+120°	<ul style="list-style-type: none"> <li>• API-6D Specification for pipeline valves</li> <li>• API 598 Valve inspection and test</li> <li>• ASME B.16.34 Steel valves Flanged and butt welding ends</li> <li>• ASME B16.5 Steel pipe flanges and flanged fittings</li> <li>• ASME B16.10 Face to face and end to end dimensions of ferrous valves</li> <li>• ASTM American society for testing materials</li> <li>• BS 6755 Testing of valves</li> <li>• NACE MR-01 -75 Sulfide stress cracking resistant mettalic materials or oil field equipment</li> <li>• UNI EN ISO 9001 quality system</li> <li>• DIN/ISO 5211 for mounting</li> <li>• BS-5351 steel ball valves for the petroleum, petrochemical and allied industries</li> </ul>
	ASTM A105N	-29°+120°	
	ASTM A182 F316	-60°+230°	
	ASTM A350 LF2	-40°+100°	
STEM	ASTM A479 TP316	-60°+230°	
BALL	ASTM A182 F316	-60°+230°	
STEM SEALS	PTFE	-196°+230	
	GRAPHITE		
	RPTFE	-196°+230°	
BALL SEATS	PEEK	-50°+250°	
	NYLON	-40°+90°	
	DEVLON	-40°+150°	
	METAL-TO-METAL	-60°+230°	
O-RING	NBR	-30°+100°	
	FKM	-40°+200°	
	EPDM	-50°+150°	
STUD/NUT	MVQ	-50°+150°	
	ASTM A193 B7/Gr. 2H		
	ASTM A193 B8/Gr. 8		
	ASTM A320 L7/Gr. 7		

**SBF ANSI 150 FB**

TYPE	INCH	PN	B	C RF	C RTJ	ØG	H	ØT	ØS	ISO 5211	ØLW	ØLW1	WEIGHT
SBF A150	1/2	MPa 2	mm 44,5	108	119	89	110	36	M5	F03	13	-	kg 2,3
		Psi 290	inch 1,75	4,25	4,69	3,50	4,33	1,42			0,51	-	lb 5,07
SBF A150	3/4	MPa 2	mm 49,2	117	130	98,5	200	36	M5	F03	20	-	kg 3,8
		Psi 290	inch 1,94	4,61	5,12	3,88	7,87	1,42			0,79	-	lb 8,38
SBF A150	1	MPa 2	mm 54	127	140	108	200	50	M6	F05	25	-	kg 5
		Psi 290	inch 2,13	5,00	5,51	4,25	7,87	1,97			0,98	-	lb 11,02
SBF A150	1 1/4	MPa 2	mm 58,75	140	153	117,5	200	50	M6	F05	32	-	kg 6,7
		Psi 290	inch 2,31	5,51	6,02	4,63	7,87	1,97			1,26	-	lb 14,77
SBF A150	1 1/2	MPa 2	mm 63,5	165	178	127	310	70	M8	F07	40	-	kg 10,5
		Psi 290	inch 2,50	6,50	7,01	5,00	12,20	2,76			1,57	-	lb 23,15
SBF A150	2	MPa 2	mm 76,2	178	191	152,4	310	70	M8	F07	49	-	kg 13,3
		Psi 290	inch 3,00	7,01	7,52	6,00	12,20	2,76			1,93	-	lb 29,32
SBF A150	2 1/2	MPa 2	mm 89	190	203	178	650	70	M8	F07	63	-	kg 22,7
		Psi 290	inch 3,50	7,48	7,99	7,01	25,59	2,76			2,48	-	lb 50,04
SBF A150	3	MPa 2	mm 95	203	216	190	650	70	M8	F07	74	-	kg 29,6
		Psi 290	inch 3,74	7,99	8,50	7,48	25,59	2,76			2,91	-	lb 65,26
SBF A150	4	MPa 2	mm 115	229	242	230	650	102	M10	F10	100	-	kg 49,6
		Psi 290	inch 4,53	9,02	9,53	9,06	25,59	4,02			3,94	-	lb 109,35
SBF A150	6	MPa 2	mm 139,8	394	407	279,5	-	125	M12	F12	150	-	kg 122
		Psi 290	inch 5,50	15,51	16,02	11,00	-	4,92			5,91	-	lb 268,96

**SBF ANSI 150 RB**

TYPE	INCH	PN	B	C RF	C RTJ	ØG	H	ØT	ØS	ISO 5211	ØLW	ØLW1	WEIGHT
SBF A150	3/4x1/2	MPa 2	mm 49,25	117	130	98,5	110	36	M5	F03	13	20	kg 3
		Psi 290	inch 1,94	4,61	5,12	3,88	4,33	1,42			0,51	0,79	lb 6,61
SBF A150	1x3/4	MPa 2	mm 54	127	140	108	200	36	M5	F03	20	25	kg 4,2
		Psi 290	inch 2,13	5,00	5,51	4,25	7,87	1,42			0,79	0,98	lb 9,26
SBF A150	1 1/4x1	MPa 2	mm 58,75	140	153	117,5	200	50	M6	F05	25	32	kg 5,3
		Psi 290	inch 2,31	5,51	6,02	4,63	7,87	1,97			0,98	1,26	lb 11,68
SBF A150	1 1/2x1 1/4	MPa 2	mm 63,5	165	178	127	200	50	M6	F05	32	40	kg 7,9
		Psi 290	inch 2,50	6,50	7,01	5,00	7,87	1,97			1,26	1,57	lb 17,42
SBF A150	2x1 1/2	MPa 2	mm 75	178	191	152,4	310	70	M8	F07	40	49	kg 11,7
		Psi 290	inch 2,95	7,01	7,52	6,00	12,20	2,76			1,57	1,93	lb 25,79
SBF A150	2 1/2x2	MPa 2	mm 89	190	203	178	310	70	M8	F07	49	63	kg 17,6
		Psi 290	inch 3,50	7,48	7,99	7,01	12,20	2,76			1,93	2,48	lb 38,80
SBF A150	3x2	MPa 2	mm 74	203	216	190	310	70	M8	F07	49	74	kg 18,9
		Psi 290	inch 2,91	7,99	8,50	7,48	12,20	2,76			1,93	2,91	lb 41,67
SBF A150	4x3	MPa 2	mm 114,5	229	242	230	650	102	M10	F10	74	100	kg 29,1
		Psi 290	inch 4,51	9,02	9,53	9,06	25,59	4,02			2,91	3,94	lb 64,15
SBF A150	6x4	MPa 2	mm 139,8	394	407	279,5	-	125	M12	F12	100	150	kg 63
		Psi 290	inch 5,50	15,51	16,02	11,00	-	4,92			3,94	5,91	lb 138,89
SBF A150	8x6	MPa 2	mm 171,5	457	470	343	-	125	M12	F12	150	201	kg 150
		Psi 290	inch 6,75	17,99	18,50	13,50	-	4,92			5,91	7,91	lb 330,69

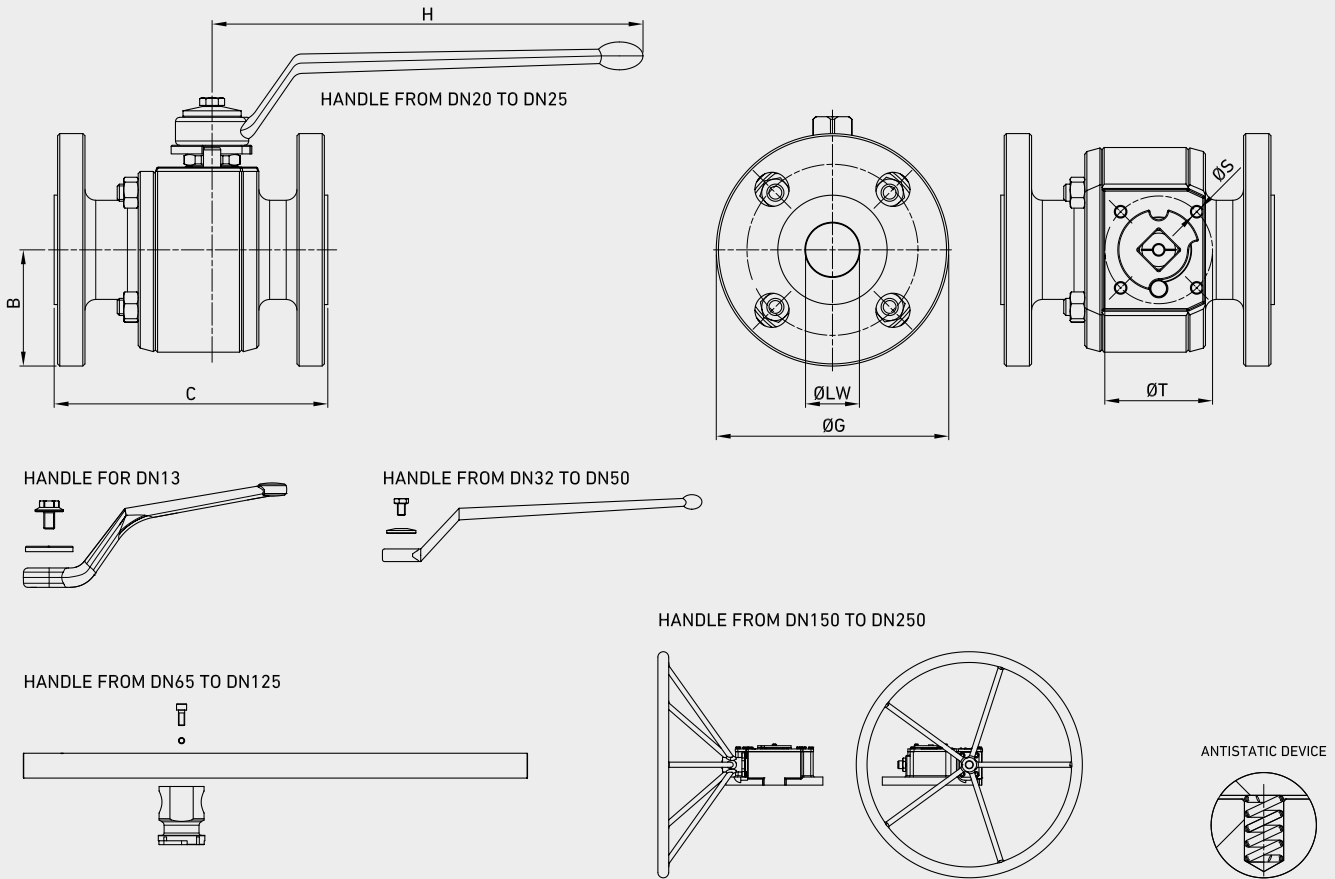


**SBF ANSI 300 FB**

TYPE	INCH	PN	B	CRF	CRTJ	ØG	H	ØT	ØS	ISO 5211	ØLW	ØLW1	WEIGHT
SBF A300	1/2	MPa 5	mm 47,6	140	151	95,2	110	36	M5	F03	13	-	kg 3
		Psi 725	inch 1,87	5,51	5,94	3,75	4,33	1,42			0,51	-	lb 6,61
SBF A300	3/4	MPa 5	mm 58,8	152	165	117,5	200	50	M6	F05	20	-	kg 5,2
		Psi 725	inch 2,31	5,98	6,50	4,63	7,87	1,97			0,79	-	lb 11,46
SBF A300	1	MPa 5	mm 62	165	178	123,8	200	50	M6	F05	25	-	kg 7
		Psi 725	inch 2,44	6,50	7,01	4,87	7,87	1,97			0,98	-	lb 15,43
SBF A300	1 1/4	MPa 5	mm 66,2	178	191	133,3	310	50	M6	F05	32	-	kg 9,3
		Psi 725	inch 2,60	7,01	7,52	5,25	12,20	1,97			1,26	-	lb 20,50
SBF A300	1 1/2	MPa 5	mm 77,8	190	203	155,6	310	70	M8	F07	40	-	kg 13,9
		Psi 725	inch 3,06	7,48	7,99	6,13	12,20	2,76			1,57	-	lb 30,64
SBF A300	2	MPa 5	mm 82,5	216	232	165	310	70	M8	F07	49	-	kg 17,1
		Psi 725	inch 3,25	8,50	9,13	6,50	12,20	2,76			1,93	-	lb 37,70
SBF A300	2 1/2	MPa 5	mm 95,3	241	257	190,5	650	70	M8	F07	63	-	kg 28
		Psi 725	inch 3,75	9,49	10,12	7,50	25,59	2,76			2,48	-	lb 61,73
SBF A300	3	MPa 5	mm 105	283	299	210	650	70	M8	F07	74	-	kg 39
		Psi 725	inch 4,13	11,14	11,77	8,27	25,59	2,76			2,91	-	lb 85,98
SBF A300	4	MPa 5	mm 127	305	321	254	650	102	M10	F10	100	-	kg 73,7
		Psi 725	inch 5,00	12,01	12,64	10,00	25,59	4,02			3,94	-	lb 162,48
SBF A300	6	MPa 5	mm 158,8	403	419	317,5	-	125	M12	F12	150	-	kg 149
		Psi 725	inch 6,25	15,87	16,50	12,50	-	4,92			5,91	-	lb 328,49

**SBF ANSI 300 RB**

TYPE	INCH	PN	B	CRF	CRTJ	ØG	H	ØT	ØS	ISO 5211	ØLW	ØLW1	WEIGHT
SBF A300	3/4x1/2	MPa 5	mm 58,8	152	165	117,5	111	36	M5	F03	13	20	kg 4,4
		Psi 725	inch 2,31	5,98	6,50	4,63	4,37	1,42			0,51	0,79	lb 9,70
SBF A300	1x3/4	MPa 5	mm 62	165	178	123,8	120	50	M5	F05	20	25	kg 6,3
		Psi 725	inch 2,44	6,50	7,01	4,87	4,72	1,97			0,79	0,98	lb 13,89
SBF A300	1 1/4x1	MPa 5	mm 66,2	178	191	133,3	310	50	M6	F05	25	32	kg 8,1
		Psi 725	inch 2,60	7,01	7,52	5,25	12,20	1,97			0,98	1,26	lb 17,86
SBF A300	1 1/2x1 1/4	MPa 5	mm 77,8	190	203	155,6	310	50	M6	F05	32	40	kg 10,3
		Psi 725	inch 3,06	7,48	7,99	6,13	12,20	1,97			1,26	1,57	lb 22,71
SBF A300	2x1 1/2	MPa 5	mm 82,5	216	232	165	310	70	M8	F07	40	49	kg 16,2
		Psi 725	inch 3,25	8,50	9,13	6,50	12,20	2,76			1,57	1,93	lb 35,71
SBF A300	2 1/2x2	MPa 5	mm 95,3	241	257	190,5	650	70	M8	F07	49	63	kg 20,5
		Psi 725	inch 3,75	9,49	10,12	7,50	25,59	2,76			1,93	2,48	lb 45,19
SBF A300	3x2	MPa 5	mm 105	283	299	210	650	70	M8	F07	49	74	kg 26,8
		Psi 725	inch 4,13	11,14	11,77	8,27	25,59	2,76			1,93	2,91	lb 59,08
SBF A300	4x3	MPa 5	mm 127	305	321	254	650	70	M8	F07	74	100	kg 45
		Psi 725	inch 5,00	12,01	12,64	10,00	25,59	2,76			2,91	3,94	lb 99,21
SBF A300	6x4	MPa 5	mm 158,8	403	419	317,5	-	102	M10	F10	100	150	kg 89,5
		Psi 725	inch 6,25	15,87	16,50	12,50	-	4,02			3,94	5,91	lb 197,31
SBF A300	8x6	MPa 5	mm 190,5	502	518	381	-	125	M12	F12	150	201	kg 183
		Psi 725	inch 7,50	19,76	20,39	15,00	-	4,92			5,91	7,91	lb 403,45



SBF ANSI 600 FB

TYPE	INCH	PN	B	C RF	C RTJ	ØG	H	ØT	ØS	ISO 5211	ØLW	ØLW1	WEIGHT
SBF A600	1/2	MPa 10	mm 47,6	165	163	95,2	110	36	M5	F03	13	-	kg 3,4
		Psi 1450	inch 1,87	6,50	6,42	3,75	4,33	1,42			0,51	-	lb 7,50
SBF A600	3/4	MPa 10	mm 58,8	190	190	117,5	200	50	M5	F05	20	-	kg 5,8
		Psi 1450	inch 2,31	7,48	7,48	4,63	7,87	1,97			0,79	-	lb 12,79
SBF A600	1	MPa 10	mm 62	216	216	124	200	50	M6	F05	25	-	kg 8
		Psi 1450	inch 2,44	8,50	8,50	4,88	7,87	1,97			0,98	-	lb 17,64
SBF A600	1 1/4	MPa 10	mm 66,8	229	229	133,5	310	50	M6	F05	32	-	kg 11,9
		Psi 1450	inch 2,63	9,02	9,02	5,26	12,20	1,97			1,26	-	lb 26,23
SBF A600	1 1/2	MPa 10	mm 77,8	241	241	155,6	310	70	M8	F07	40	-	kg 15,7
		Psi 1450	inch 3,06	9,49	9,49	6,13	12,20	2,76			1,57	-	lb 34,61
SBF A600	2	MPa 10	mm 82,5	292	295	165,1	310	70	M8	F07	49	-	kg 20,7
		Psi 1450	inch 3,25	11,50	11,61	6,50	12,20	2,76			1,93	-	lb 45,64
SBF A600	2 1/2	MPa 10	mm 95,3	330	333	190,5	650	70	M8	F07	63	-	kg 40
		Psi 1450	inch 3,75	12,99	13,11	7,50	25,59	2,76			2,48	-	lb 88,18
SBF A600	3	MPa 10	mm 105	356	359	210	650	70	M8	F07	74	-	kg 49,6
		Psi 1450	inch 4,13	14,02	14,13	8,27	25,59	2,76			2,91	-	lb 109,35
SBF A600	4	MPa 10	mm 136,5	432	435	273	650	102	M10	F10	100	-	kg 97
		Psi 1450	inch 5,37	17,01	17,13	10,75	25,59	4,02			3,94	-	lb 213,85



**SBF ANSI 600 RB**

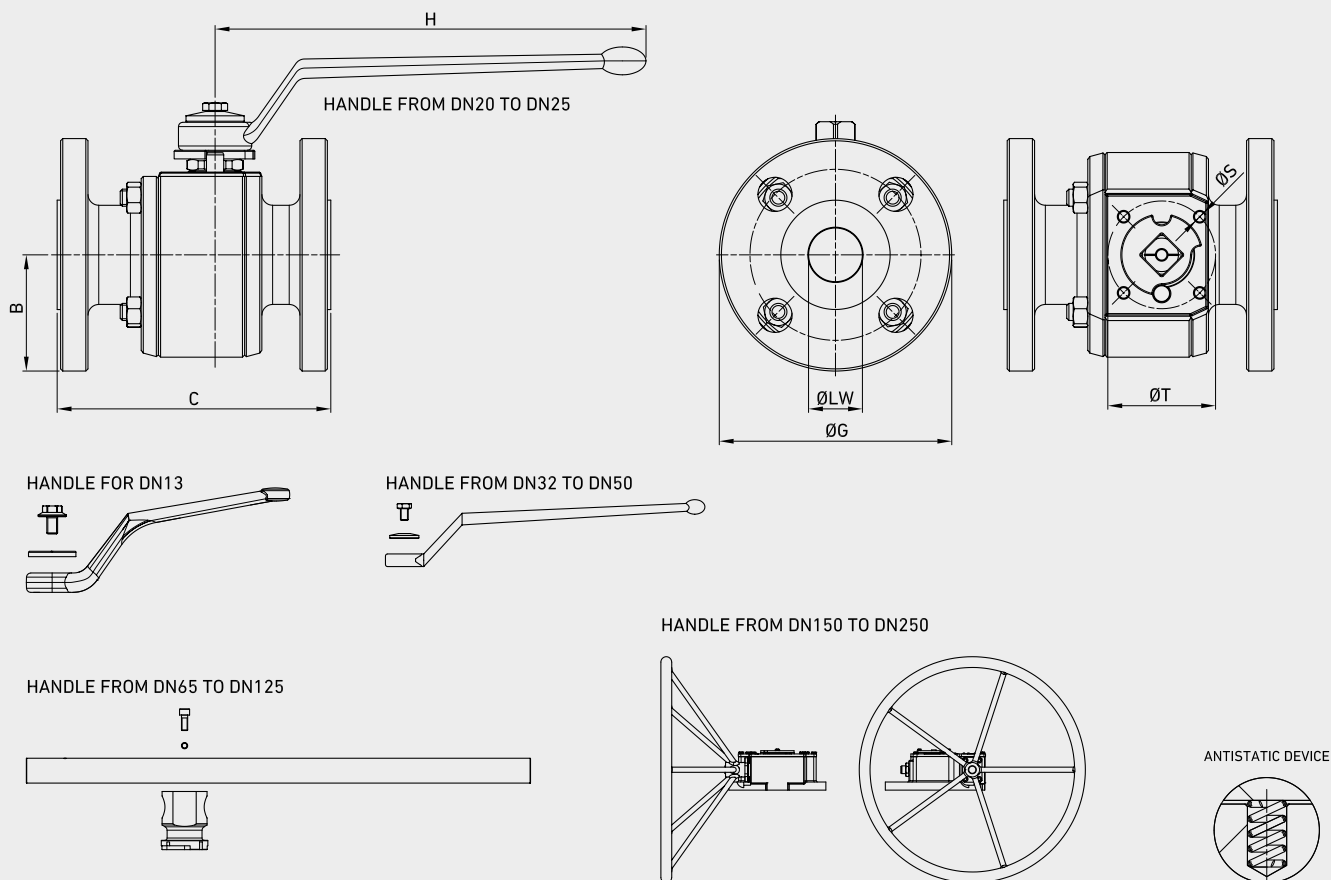
TYPE	INCH	PN	B	C RF	C RTJ	ØG	H	ØT	ØS	ISO 5211	ØLW	ØLW1	WEIGHT
SBF A600	3/4 x 1/2	MPa 10	mm 58,8	190	190	117,5	110	36	M5	F03	13	20	kg 5,2
		Psi 1450	inch 2,31	7,48	7,48	4,63	4,33	1,42			0,51	0,79	lb 11,46
SBF A600	1x3/4	MPa 10	mm 62	216	216	124	110	50	M5	F05	20	25	kg 6,9
		Psi 1450	inch 2,44	8,50	8,50	4,88	4,33	1,97			0,79	0,98	lb 15,21
SBF A600	1 1/4x1	MPa 10	mm 66,8	229	229	133,5	310	50	M6	F05	25	32	kg 9,5
		Psi 1450	inch 2,63	9,02	9,02	5,26	12,20	1,97			0,98	1,26	lb 20,94
SBF A600	1 1/2x1 1/4	MPa 10	mm 77,8	241	241	155,6	310	50	M6	F05	32	40	kg 12,9
		Psi 1450	inch 3,06	9,49	9,49	6,13	12,20	1,97			1,26	1,57	lb 28,44
SBF A600	2x1 1/2	MPa 10	mm 82,5	292	295	165,1	310	70	M8	F07	40	49	kg 17,3
		Psi 1450	inch 3,25	11,50	11,61	6,50	12,20	2,76			1,57	1,93	lb 38,14
SBF A600	2 1/2x2	MPa 10	mm 95,3	330	333	190,5	650	70	M8	F07	49	63	kg 25,2
		Psi 1450	inch 3,75	12,99	13,11	7,50	25,59	2,76			1,93	2,48	lb 55,56
SBF A600	3x2	MPa 10	mm 74	356	359	210	650	70	M8	F07	49	74	kg 36
		Psi 1450	inch 2,91	14,02	14,13	8,27	25,59	2,76			1,93	2,91	lb 79,37
SBF A600	4x3	MPa 10	mm 136,5	432	435	273	650	70	M8	F07	74	100	kg 65,7
		Psi 1450	inch 5,37	17,01	17,13	10,75	25,59	2,76			2,91	3,94	lb 144,84
SBF A600	6x4	MPa 10	mm 177,5	559	562	355,5	-	102	M10	F10	100	150	kg 157
		Psi 1450	inch 6,99	22,01	22,13	14,00	-	4,02			3,94	5,91	lb 346,13

**SBF ANSI 900 FB**

TYPE	INCH	PN	B	C RF	C RTJ	ØG	H	ØT	ØS	ISO 5211	ØLW	ØLW1	WEIGHT
SBF A600	1/2	MPa 10	mm 47,6	165	163	95,2	110	36	M5	F03	13	-	kg 3,4
		Psi 1450	inch 1,87	6,50	6,42	3,75	4,33	1,42			0,51	-	lb 7,50
SBF A600	3/4	MPa 10	mm 58,8	190	190	117,5	200	50	M5	F05	20	-	kg 5,8
		Psi 1450	inch 2,31	7,48	7,48	4,63	7,87	1,97			0,79	-	lb 12,79
SBF A600	1	MPa 10	mm 62	216	216	124	200	50	M6	F05	25	-	kg 8
		Psi 1450	inch 2,44	8,50	8,50	4,88	7,87	1,97			0,98	-	lb 17,64
SBF A600	1 1/4	MPa 10	mm 66,8	229	229	133,5	310	50	M6	F05	32	-	kg 11,9
		Psi 1450	inch 2,63	9,02	9,02	5,26	12,20	1,97			1,26	-	lb 26,23
SBF A600	1 1/2	MPa 10	mm 77,8	241	241	155,6	310	70	M8	F07	40	-	kg 15,7
		Psi 1450	inch 3,06	9,49	9,49	6,13	12,20	2,76			1,57	-	lb 34,61
SBF A600	4	MPa 10	mm 136,5	432	435	273	650	102	M10	F10	100	-	kg 97
		Psi 1450	inch 5,37	17,01	17,13	10,75	25,59	4,02			3,94	-	lb 213,85

**SBF ANSI 900 RB**

TYPE	INCH	PN	B	C RF	C RTJ	ØG	H	ØT	ØS	ISO 5211	ØLW	ØLW1	WEIGHT
SBF A900	3/4x1/2	MPa 15	mm 65	229	229	130	110	36	M5	F03	13	20	kg 7,5
		Psi 2175	inch 2,56	9,02	9,02	5,12	4,33	1,42			0,51	0,79	lb 16,53
SBF A900	1x3/4	MPa 15	mm 74,5	254	254	149	110	50	M6	F05	19	25	kg 10,3
		Psi 2175	inch 2,93	10,00	10,00	5,87	4,33	1,97			0,75	0,98	lb 22,71
SBF A900	1 1/4x1	MPa 15	mm 79,5	279	279	159	310	50	M6	F05	25	32	kg 11,8
		Psi 2175	inch 3,13	10,98	10,98	6,26	12,20	1,97			0,98	1,26	lb 26,01
SBF A900	1 1/2x1 1/4	MPa 15	mm 89	305	305	178	310	70	M8	F07	32	38	kg 15,6
		Psi 2175	inch 3,50	12,01	12,01	7,01	12,20	2,76			1,26	1,50	lb 34,39
SBF A900	2x1 1/2	MPa 15	mm 108	368	371	216	310	70	M8	F07	38	49	kg 35,6
		Psi 2175	inch 4,25	14,49	14,61	8,50	12,20	2,76			1,50	1,93	lb 78,48
SBF A900	2 1/2x2	MPa 15	mm 122	419	422	244	650	102	M10	F10	49	63	kg 44,5
		Psi 2175	inch 4,80	16,50	16,61	9,61	25,59	4,02			1,93	2,48	lb 98,11



SBF ANSI 1500 FB

TYPE	INCH	PN	B	C RF	C RTJ	ØG	H	ØT	ØS	ISO 5211	ØLW	ØLW1	WEIGHT
SBF A1500	1/2	MPa 25	mm 60,5	216	216	121	110	36	M5	F03	13	-	kg 6
		Psi 3625	inch 2,38	8,50	8,50	4,76	4,33	1,42			0,51	-	lb 13,23
SBF A1500	3/4	MPa 25	mm 65	229	229	130	110	50	M6	F05	19	-	kg 9,3
		Psi 3625	inch 2,56	9,02	9,02	5,12	4,33	1,97			0,75	-	lb 20,50
SBF A1500	1	MPa 25	mm 74,5	254	254	149	200	50	M6	F05	25	-	kg 12,5
		Psi 3625	inch 2,93	10,00	10,00	5,87	7,87	1,97			0,98	-	lb 27,56
SBF A1500	1 1/4	MPa 25	mm 79,5	279	279	159	310	70	M8	F07	32	-	kg 14,3
		Psi 3625	inch 3,13	10,98	10,98	6,26	12,20	2,76			1,26	-	lb 31,53
SBF A1500	1 1/2	MPa 25	mm 89	305	305	178	310	70	M8	F07	38	-	kg 18,5
		Psi 3625	inch 3,50	12,01	12,01	7,01	12,20	2,76			1,50	-	lb 40,79
SBF A1500	2	MPa 25	mm 107,5	368	371	215	310	70	M8	F07	49	-	kg 40
		Psi 3625	inch 4,23	14,49	14,61	8,46	12,20	2,76			1,93	-	lb 88,18

**SBF ANSI 1500 RB**

TYPE	INCH	PN	B	C RF	C RTJ	ØG	H	ØT	ØS	ISO 5211	ØLW	ØLW1	WEIGHT
SBF A1500	3/4x1/2	MPa 25	mm 65	229	229	130	110	50	M5	F03	13	20	kg 7,5
		Psi 3625	inch 2,56	9,02	9,02	5,12	4,33	1,97			0,51	0,79	lb 16,53
SBF A1500	1x3/4	MPa 25	mm 74,5	254	254	149	110	50	M6	F05	19	25	kg 10,3
		Psi 3625	inch 2,93	10,00	10,00	5,87	4,33	1,97			0,75	0,98	lb 22,71
SBF A1500	1 1/4x1	MPa 25	mm 79,5	279	279	159	310	50	M6	F05	25	32	kg 11,8
		Psi 3625	inch 3,13	10,98	10,98	6,26	12,20	1,97			0,98	1,26	lb 26,01
SBF A1500	1 1/2x1 1/4	MPa 25	mm 89	305	305	178	310	70	M8	F07	32	38	kg 15,6
		Psi 3625	inch 3,50	12,01	12,01	7,01	12,20	2,76			1,26	1,50	lb 34,39
SBF A1500	2x1 1/2	MPa 25	mm 108	368	371	216	310	70	M8	F07	38	49	kg 35,6
		Psi 3625	inch 4,25	14,49	14,61	8,50	12,20	2,76			1,50	1,93	lb 78,48
SBF A1500	2 1/2x2	MPa 25	mm 122	419	422	244	650	102	M10	F10	49	63	kg 44,5
		Psi 3625	inch 4,80	16,50	16,61	9,61	25,59	4,02			1,93	2,48	lb 98,11

**SBF ANSI 2500 FB**

TYPE	INCH	PN	B	C RF	C RTJ	ØG	H	ØT	ØS	ISO 5211	ØLW	ØLW1	WEIGHT
SBF A2500	1/2	MPa 42	mm 66,5	264	264	133	110	50	M6	F05	13	-	kg 12,3
		Psi 6090	inch 2,62	10,39	10,39	5,24	4,33	1,97			0,51	-	lb 27,12
SBF A2500	3/4	MPa 42	mm 70	273	273	140	110	50	M6	F05	19	-	kg 15,3
		Psi 6090	inch 2,76	10,75	10,75	5,51	4,33	1,97			0,75	-	lb 33,73
SBF A2500	1	MPa 42	mm 79,5	308	308	159	110	70	M8	F07	25	-	kg 22,3
		Psi 6090	inch 3,13	12,13	12,13	6,26	4,33	2,76			0,98	-	lb 49,16
SBF A2500	1 1/4	MPa 42	mm 92	356	359	184	310	70	M8	F07	32	-	kg 23,5
		Psi 6090	inch 3,62	14,02	14,13	7,24	12,20	2,76			1,26	-	lb 51,81
SBF A2500	1 1/2	MPa 42	mm 101,5	387	390	203	310	70	M8	F07	38	-	kg 29,5
		Psi 6090	inch 4,00	15,24	15,35	7,99	12,20	2,76			1,50	-	lb 65,04
SBF A2500	2	MPa 42	mm 117,5	451	454	235	310	102	M10	F10	42	-	kg 55,6
		Psi 6090	inch 4,63	17,76	17,87	9,25	12,20	4,02			1,65	-	lb 122,58

**SBF ANSI 2500 RB**

TYPE	INCH	PN	B	C RF	C RTJ	ØG	H	ØT	ØS	ISO 5211	ØLW	ØLW1	WEIGHT
SBF A2500	3/4x1/2	MPa 42	mm 70	273	273	140	110	50	M6	F05	13	20	kg 11,5
		Psi 6090	inch 2,76	10,75	10,75	5,51	4,33	1,97			0,51	0,79	lb 25,35
SBF A2500	1x3/4	MPa 42	mm 79,5	308	308	159	110	50	M6	F05	19	25	kg 16,5
		Psi 6090	inch 3,13	12,13	12,13	6,26	4,33	1,97			0,75	0,98	lb 36,38
SBF A2500	1 1/4x1	MPa 42	mm 92	356	359	184	310	70	M8	F07	25	32	kg 18,6
		Psi 6090	inch 3,62	14,02	14,13	7,24	12,20	2,76			0,98	1,26	lb 41,01
SBF A2500	1 1/2x1 1/4	MPa 42	mm 101,5	387	390	203	310	70	M8	F07	32	38	kg 24,2
		Psi 6090	inch 4,00	15,24	15,35	7,99	12,20	2,76			1,26	1,50	lb 53,35
SBF A2500	2x1 1/2	MPa 42	mm 117,5	451	454	235	310	102	M10	F10	38	42	kg 52,3
		Psi 6090	inch 4,63	17,76	17,87	9,25	12,20	4,02			1,50	1,65	lb 115,30
SBF A2500	2 1/2x2	MPa 42	mm 133,5	508	511	267	650	102	M10	F07	42	52	kg 58,5
		Psi 6090	inch 5,26	20,00	20,12	10,51	25,59	4,02			1,65	2,05	lb 128,97



# SBT

## SPLIT BODY TRUNNION

Edition. 21.0

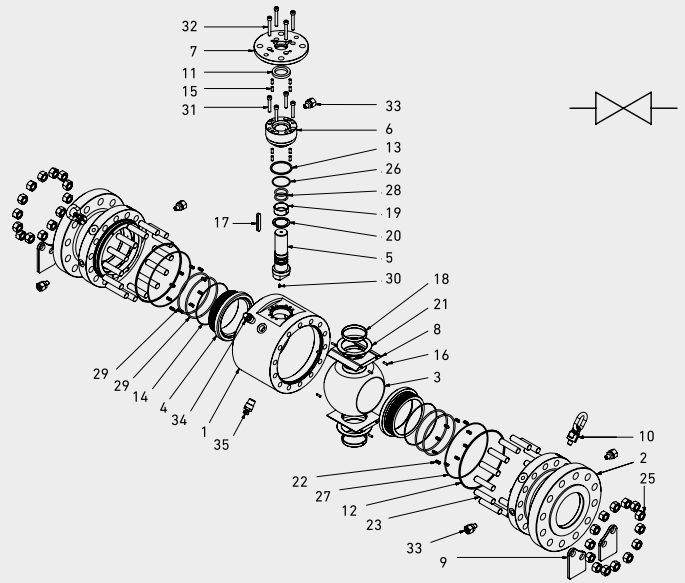
### CS Carbon Steel

- Treatment: Paint protection

### SS Stainless Steel

- **CS, SS, DSS, ALLOY (Forged)**
- Type: ball valve Split Body Trunnion
- Sizes: from DN20 up to DN900
- Pressure: ANSI 150-2500
- Temperature: from -50° up to +200° (depending on materials selected)

### STANDARD COMPOSITION OF VALVE



POS	DESCRIPTION	CS	SS
		Carbon Steel	Stainless Steel
MATERIAL			
1	Body	ASTM A350 LF2	ASTM A182 F316
2	Clousure	ASTM A350 LF2	ASTM A182 F316
3	Ball	ASTM A182 F316	ASTM A182 F316
4	Seat	ASTM A479 Tp.316/RPTFE	ASTM A479 Tp.316/RPTFE
5	Stem	ASTM A479 Tp.316	ASTM A479 Tp.316
6	Bonnet	ASTM A350 LF2	ASTM A479 Tp.316
7	Cover Plate	ASTM A350 LF2	ASTM A479 Tp.316
8	Spacer	ASTM A516 Gr.70	ASTM A240 Tp.316
9	Valve Support	ASTM A516 Gr.70	ASTM A516 Gr.70
10	Eyebolt	Gr.80	Gr.80
11	Stem Gasket	Graphite	Graphite
12	Seat Gasket	Graphite	Graphite
13	Body/Bonnet Gasket S.W.T.	Graphite+316L	Graphite+316L
14	Body/Flange Gasket S.W.T.	Graphite+316L	Graphite+316L
15	Body/Bonnet/Cover Pin	100Cr6	100Cr6
16	Spacer Pin	100Cr6	100Cr6
17	Stem Key	C70	C70
18	Ball Bushing	AISI 316 + N.F.C.	AISI 316 + N.F.C.

POS	DESCRIPTION	CS	SS
		Carbon Steel	Stainless Steel
MATERIAL			
19	Stem Bushing	AISI 316 + N.F.C.	AISI 316 + N.F.C.
20	Stem Thrust Washer	AISI 316 + N.F.C.	AISI 316 + N.F.C.
21	Ball Thrust Washer	AISI 316 + N.F.C.	AISI 316 + N.F.C.
22	Spring Inconel	INCONEL X750	INCONEL X750
23	Stud	ASTM A320 L7M	ASTM A193 B8M CL2
24	Support/Lifting Lug Stud	ASTM A320 L7M	ASTM A193 B8M CL2
25	Nut	ASTM A194 Gr.7M	ASTM A194 Gr.8M
26	Body/Bonnet o-ring	FKM	FKM
27	Body/Flange o-ring	FKM	FKM
28	Stem o-ring	FKM	FKM
29	Seat o-ring	FKM	FKM
30	Antistatic Device	INCONEL X750	ASTM A479 Tp.316
31	Bonnet T.C.E.I.	ASTM A320 L7M	ASTM A193 B8M CL2
32	Cover Plate T.C.E.I.	ASTM A320 L7M	ASTM A193 B8M CL2
33	Stem Injection	ASTM A479 Tp.316	ASTM A479 Tp.316
34	Drain Plug	ASTM A479 Tp.316	ASTM A479 Tp.316
35	Vent Bleeder	ASTM A479 Tp.316	ASTM A479 Tp.316



ALSO AVAILABLE IN FULLY WELDED VERSION

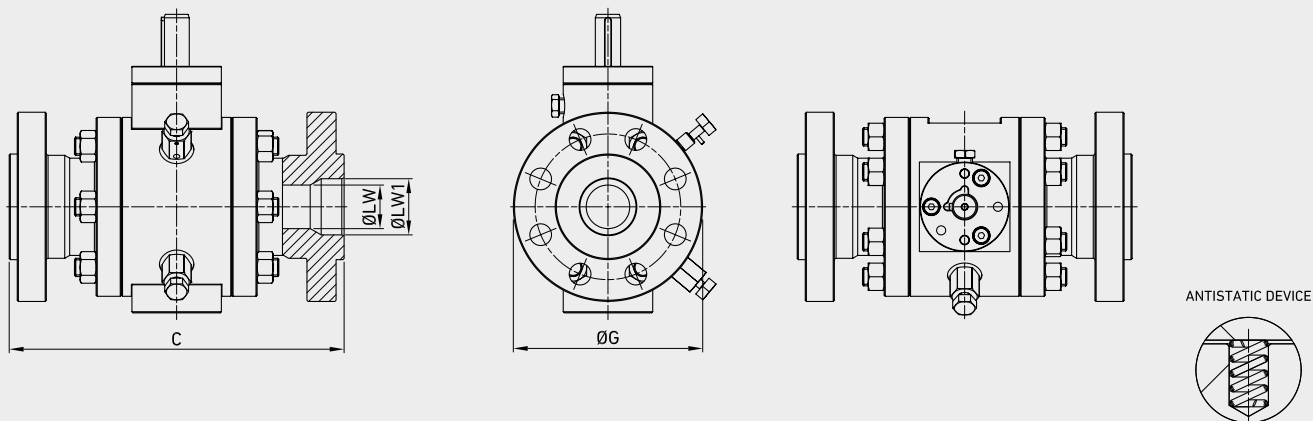
### CODE DESCRIPTION STRUCTURE

SBT	ANSI600	3/4"	DN50	FB	LF2	F316	RPTFE	FKM	RF
<p><b>Type and way of valve</b> _____ SBT Split body trunnion bolted body</p> <p><b>Valves dimension of pressure (LBS)</b> _____ ANSI150 ANSI300 ANSI600 ANSI900 ANSI1500 ANSI2500</p> <p><b>Sizes</b> _____ from 3/4" to 36"</p> <p><b>Sizes</b> _____ from DN20 to DN900</p> <p><b>Bore</b> _____ FB full bore RB reduce bore</p> <p><b>Body material</b> _____ ● A105* LF2 ● F316</p> <p><b>Stem material</b> _____ ● F316 F51* ● F316 F51*</p> <p><b>Ball seat material</b> _____ RPTFE PEEK* NYLON* DEVLON* MET-TO-MET*</p> <p><b>Adapter and stem seal material</b> _____ FKM NBR* EPDM* MVQ*</p> <p><b>Flanged</b> _____ RF RTJ* BW* FF*</p>									

\*On request

- Lever
- Gear
- Pneumatic and electrical actuator
- Locking device

For further special requests please consult our technical/commercial service.



SBT ANSI 150 FB

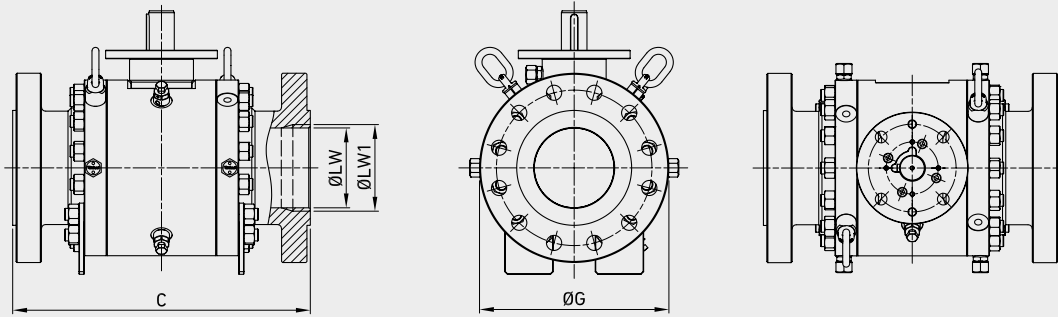
TYPE	INCH	PN	ØLW	ØLW1	C RF	C RTJ	ØG
SBT A150	2	MPa 2	mm 49	-	178	191	150
		Psi 290	inch 1,93	-	7,01	7,52	5,91
SBT A150	2 1/2	MPa 2	mm 62	-	191	203	180
		Psi 290	inch 2,44	-	7,52	7,99	7,09
SBT A150	3	MPa 2	mm 74	-	203	216	190,5
		Psi 290	inch 2,91	-	7,99	8,50	7,50
SBT A150	4	MPa 2	mm 100	-	229	241	229
		Psi 290	inch 3,94	-	9,02	9,49	9,02

SBT ANSI 150 RB

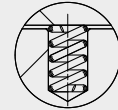
TYPE	INCH	PN	ØLW	ØLW1	C RF	C RTJ	ØG
SBT A150	2x1 1/2	MPa 2	mm 38	49	178	191	150
		Psi 290	inch 1,50	1,93	7,01	7,52	5,91
SBT A150	3x2	MPa 2	mm 49	74	203	216	190
		Psi 290	inch 1,93	2,91	7,99	8,50	7,48
SBT A150	4x3	MPa 2	mm 74	100	229	241	229
		Psi 290	inch 2,91	3,94	9,02	9,49	9,02
SBT A150	6x4	MPa 2	mm 100	150	394	406	280
		Psi 290	inch 3,94	5,91	15,51	15,98	11,02

SPLIT BODY

COMPONENTS	MATERIAL	MIN / MAX TEMP.	PROVISIONS
BODY AND FLANGE	ASTM A105	-20°+120°	<ul style="list-style-type: none"> <li>• API 6D Specification for pipeline valves</li> <li>• API 598 Valve inspection and test</li> <li>• ASME B.16.34 Steel valves Flanged and butt welding ends</li> <li>• ASME B16.5 Steel pipe flanges and flanged fittings</li> <li>• ASME B16.10 Face to face and end to end dimensions of ferrous valves</li> <li>• ASTM American society for testing materials</li> <li>• BS 6755 Testing of valves</li> <li>• NACE MR-01 -75 Sulfide stress cracking resistant metallic materials or oil field equipment</li> <li>• UNI EN ISO 9001 quality system</li> <li>• DIN/ISO 5211 for mounting</li> <li>• BS 5351 steel ball valves for the petroleum, petrochemical and allied industries</li> </ul>
	ASTM A105N	-29°+120°	
	ASTM A182 F316	-60°+230°	
	ASTM A350 LF2	-40°+100°	
STEM	ASTM A479 TP316	-60°+230°	
BALL	ASTM A182 F316	-60°+230°	
STEM SEALS	PTFE	-196°+230	
	GRAPHITE		
	RPTFE	-196°+230°	
BALL SEATS	PEEK	-50°+250°	
	NYLON	-40°+90°	
	DEVLON	-40°+150°	
	METAL-TO-METAL	-60°+230°	
O-RING	NBR	-30°+100°	
	FKM	-40°+200°	
	EPDM	-50°+150°	
	MVQ	-50°+150°	
STUD/NUT	ASTM A193 B7/GR. 2H		
	ASTM A 193 B8/GR. 8		
	ASTM A320 L7/GR. 7		


**ALSO AVAILABLE IN  
FULLY WELDED VERSION**

ANTISTATIC DEVICE


**SBT ANSI 150 FB**

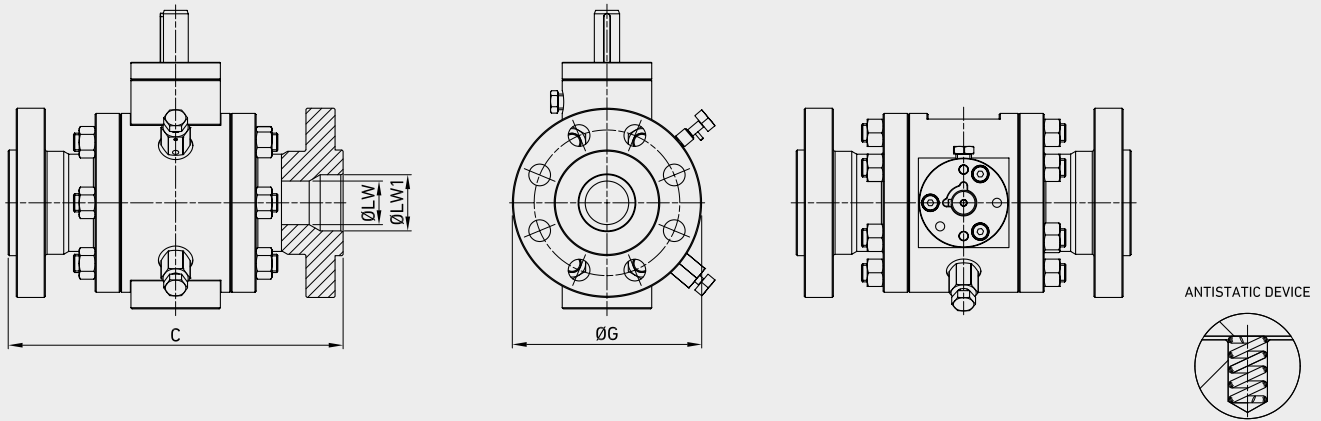
TYPE	INCH	PN	ØLW	ØLW1	C RF	C RTJ	ØG
SBT A150	6	MPa 2	mm 150	-	394	406	280
		Psi 290	inch 5,91	-	15,51	15,98	11,02
SBT A150	8	MPa 2	mm 201	-	457	470	345
		Psi 290	inch 7,91	-	17,99	18,50	13,58
SBT A150	10	MPa 2	mm 252	-	533	546	405
		Psi 290	inch 9,92	-	20,98	21,50	15,94
SBT A150	12	MPa 2	mm 303	-	610	622	485
		Psi 290	inch 11,93	-	24,02	699,00	19,09
SBT A150	14	MPa 2	mm 334	-	689	699	533,5
		Psi 290	inch 13,15	-	27,13	27,52	21,00
SBT A150	16	MPa 2	mm 385	-	762	775	597
		Psi 290	inch 15,16	-	30,00	30,51	23,50
SBT A150	18	MPa 2	mm 436	-	864	876	635
		Psi 290	inch 17,17	-	34,02	34,49	25,00
SBT A150	20	MPa 2	mm 487	-	914	927	698,5
		Psi 290	inch 19,17	-	35,98	36,50	27,50
SBT A150	22	MPa 2	mm 538	-	-	-	750*
		Psi 290	inch 21,18	-	-	-	29,53
SBT A150	24	MPa 2	mm 589	-	1067	1080	813
		Psi 290	inch 23,19	-	42,01	42,52	32,01
SBT A150	26	MPa 2	mm 635	-	1143	-	-
		Psi 290	inch 25,00	-	45,00	-	-
SBT A150	28	MPa 2	mm 686	-	1245	-	-
		Psi 290	inch 27,01	-	49,02	-	-
SBT A150	30	MPa 2	mm 737	-	1295	-	-
		Psi 290	inch 29,02	-	50,98	-	-
SBT A150	32	MPa 2	mm 781	-	1372	-	-
		Psi 290	inch 30,75	-	54,02	-	-
SBT A150	34	MPa 2	mm 832	-	1473	-	-
		Psi 290	inch 32,76	-	57,99	-	-
SBT A150	36	MPa 2	mm 876	-	1524	-	-
		Psi 290	inch 34,49	-	60,00	-	-

\*According to MSS SP44

**SBT ANSI 150 RB**

TYPE	INCH	PN	ØLW	ØLW1	C RF	C RTJ	ØG
SBT A150	8x6	MPa 2	mm 150	201	457	470	345
		Psi 290	inch 5,91	7,91	17,99	18,50	13,58
SBT A150	10x8	MPa 2	mm 201	252	533	546	405
		Psi 290	inch 7,91	9,92	20,98	21,50	15,94
SBT A150	12x10	MPa 2	mm 252	303	610	622	485
		Psi 290	inch 9,92	11,93	24,02	24,49	19,09
SBT A150	14x10	MPa 2	mm 252	334	689	699	533,5
		Psi 290	inch 9,92	13,15	27,13	27,52	21,00
SBT A150	16x12	MPa 2	mm 303	385	762	775	597
		Psi 290	inch 11,93	15,16	30,00	30,51	23,50
SBT A150	18x14	MPa 2	mm 334	436	864	876	635
		Psi 290	inch 13,15	17,17	34,02	34,49	25,00
SBT A150	20x16	MPa 2	mm 385	487	914	927	698,5
		Psi 290	inch 15,16	19,17	35,98	36,50	27,50
SBT A150	24x20	MPa 2	mm 487	589	1067	1080	813
		Psi 290	inch 19,17	23,19	42,01	42,52	32,01
SBT A150	28x24	MPa 2	mm 589	684	1245	-	925*
		Psi 290	inch 23,19	26,93	49,02	-	36,42
SBT A150	30x24	MPa 2	mm 591	737	1295	-	-
		Psi 290	inch 23,27	29,02	50,98	-	-
SBT A150	36x30	MPa 2	mm 737	876	1524	-	-
		Psi 290	inch 29,02	34,49	60,00	-	-

\*According to MSS SP44



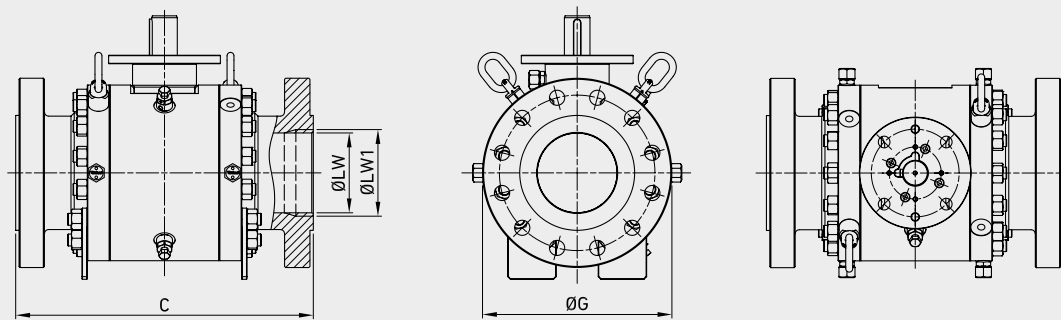
SBT ANSI 300 FB

TYPE	INCH	PN	ØLW	ØLW1	C RF	C RTJ	ØG
SBT A300	2	MPa 5	mm 49	-	216	232	165
		Psi 725	inch 1,93	-	8,50	9,13	6,50
SBT A300	2 1/2	MPa 5	mm 62	-	241	257	190
		Psi 725	inch 2,44	-	9,49	10,12	7,48
SBT A300	3	MPa 5	mm 74	-	283	298	210
		Psi 725	inch 2,91	-	11,14	11,73	8,27
SBT A300	4	MPa 5	mm 100	-	305	321	255
		Psi 725	inch 3,94	-	12,01	12,64	10,04

SBT ANSI 300 RB

TYPE	INCH	PN	ØLW	ØLW1	C RF	C RTJ	ØG
SBT A300	2x1 1/2	MPa 5	mm 38	49	216	232	165
		Psi 725	inch 1,50	1,93	8,50	9,13	6,50
SBT A300	3x2	MPa 5	mm 49	74	283	298	210
		Psi 725	inch 1,93	2,91	11,14	11,73	8,27
SBT A300	4x3	MPa 5	mm 74	100	305	321	255
		Psi 725	inch 2,91	3,94	12,01	12,64	10,04
SBT A300	6x4	MPa 5	mm 100	150	403	419	320
		Psi 725	inch 3,94	5,91	15,87	16,50	12,60





**ALSO AVAILABLE IN  
FULLY WELDED VERSION**

ANTISTATIC DEVICE



### SBT ANSI 300 FB

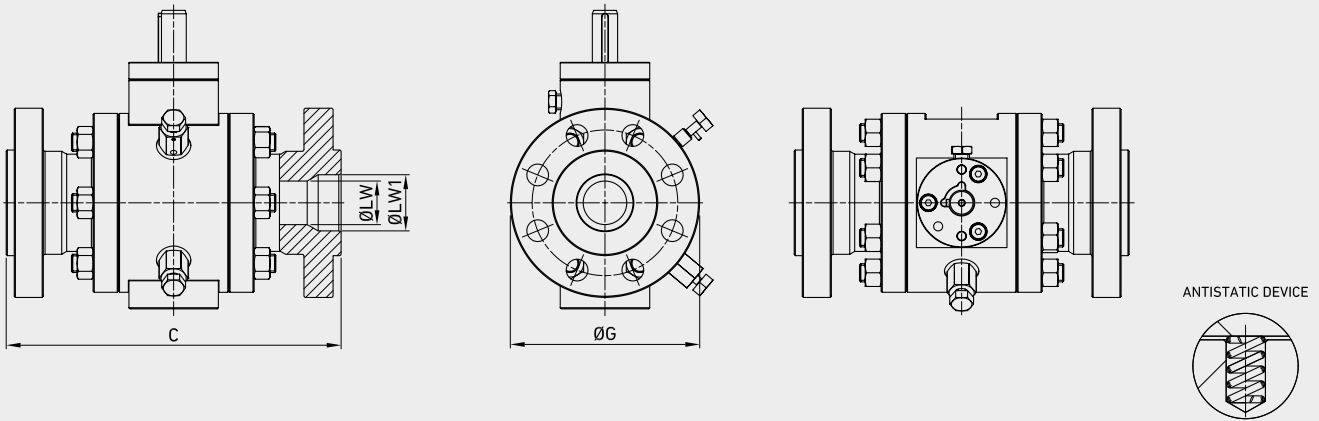
TYPE	INCH	PN	ØLW	ØLW1	C RF	C RTJ	ØG
SBT A300	6	MPa 5	mm 150	-	403	419	320
		Psi 725	inch 5,91	-	15,87	16,50	12,60
SBT A300	8	MPa 5	mm 201	-	502	518	380
		Psi 725	inch 7,91	-	19,76	20,39	14,96
SBT A300	10	MPa 5	mm 252	-	568	584	445
		Psi 725	inch 9,92	-	22,36	22,99	17,52
SBT A300	12	MPa 5	mm 303	-	648	664	520
		Psi 725	inch 11,93	-	25,51	26,14	20,47
SBT A300	14	MPa 5	mm 334	-	762	778	584,5
		Psi 725	inch 13,15	-	30,00	30,63	23,01
SBT A300	16	MPa 5	mm 385	-	838	854	648
		Psi 725	inch 15,16	-	32,99	33,62	25,51
SBT A300	18	MPa 5	mm 436	-	914	930	711,5
		Psi 725	inch 17,17	-	35,98	36,61	28,01
SBT A300	20	MPa 5	mm 487	-	991	1010	775
		Psi 725	inch 19,17	-	39,02	39,76	30,51
SBT A300	22	MPa 5	mm 538	-	1092	1114	840*
		Psi 725	inch 21,18	-	42,99	43,86	33,07
SBT A300	24	MPa 5	mm 589	-	1143	1165	914,5
		Psi 725	inch 23,19	-	45,00	45,87	36,00
SBT A300	26	MPa 5	mm 635	-	1245	1270	-
		Psi 725	inch 25,00	-	49,02	50,00	-
SBT A300	28	MPa 5	mm 686	-	1346	1372	-
		Psi 725	inch 27,01	-	52,99	54,02	-
SBT A300	30	MPa 5	mm 737	-	1397	1422	-
		Psi 725	inch 29,02	-	55,00	55,98	-
SBT A300	32	MPa 5	mm 781	-	1524	1553	-
		Psi 725	inch 30,75	-	60,00	61,14	-
SBT A300	34	MPa 5	mm 832	-	1626	1654	-
		Psi 725	inch 32,76	-	64,02	65,12	-
SBT A300	36	MPa 5	mm 876	-	1727	1756	-
		Psi 725	inch 34,49	-	67,99	69,13	-

\*According to MSS SP44

### SBT ANSI 300 RB

TYPE	INCH	PN	ØLW	ØLW1	C RF	C RTJ	ØG
SBT A300	8x6	MPa 5	mm 150	201	502	518	380
		Psi 725	inch 5,91	7,91	19,76	20,39	14,96
SBT A300	10x8	MPa 5	mm 201	252	568	584	445
		Psi 725	inch 7,91	9,92	22,36	22,99	17,52
SBT A300	12x10	MPa 5	mm 252	303	648	664	520
		Psi 725	inch 9,92	11,93	25,51	26,14	20,47
SBT A300	14x10	MPa 5	mm 252	334	762	778	584,5
		Psi 725	inch 9,92	13,15	30,00	30,63	23,01
SBT A300	16x12	MPa 5	mm 303	385	838	854	648
		Psi 725	inch 11,93	15,16	32,99	33,62	25,51
SBT A300	18x14	MPa 5	mm 334	436	914	930	711,5
		Psi 725	inch 13,15	17,17	35,98	36,61	28,01
SBT A300	20x16	MPa 5	mm 385	487	991	1010	775
		Psi 725	inch 15,16	19,17	39,02	39,76	30,51
SBT A300	24x20	MPa 5	mm 487	589	1143	1165	914,5
		Psi 725	inch 19,17	23,19	45,00	45,87	36,00
SBT A300	28x24	MPa 5	mm 589	684	1346	1372	1035*
		Psi 725	inch 23,19	26,93	52,99	54,02	40,75
SBT A300	30x24	MPa 5	mm 591	737	1397	1422	-
		Psi 725	inch 23,27	29,02	55,00	55,98	-
SBT A300	36x30	MPa 5	mm 737	876	1727	1756	-
		Psi 725	inch 29,02	34,49	67,99	69,13	-

\*According to MSS SP44

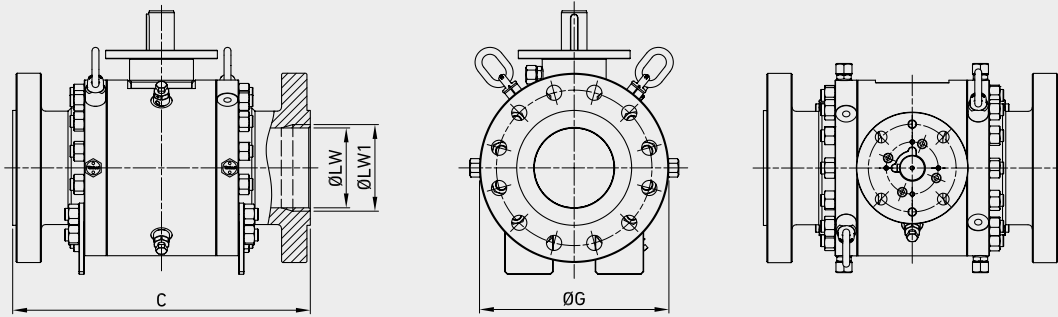


SBT ANSI 600 FB

TYPE	INCH	PN	ØLW	ØLW1	C RF	C RTJ	ØG
SBT A600	2	MPa 10	mm 49	-	292	295	165
		Psi 1450	inch 1,93	-	11,50	11,61	6,50
SBT A600	2 1/2	MPa 10	mm 62	-	330	333	190
		Psi 1450	inch 2,44	-	12,99	13,11	7,48
SBT A600	3	MPa 10	mm 74	-	356	359	210
		Psi 1450	inch 2,91	-	14,02	14,13	8,27
SBT A600	4	MPa 10	mm 100	-	432	435	275
		Psi 1450	inch 3,94	-	17,01	17,13	10,83

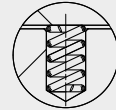
SBT ANSI 600 RB

TYPE	INCH	PN	ØLW	ØLW1	C RF	C RTJ	ØG
SBT A600	2x1 1/2	MPa 10	mm 38	49	292	295	165
		Psi 1450	inch 1,50	1,93	11,50	11,61	6,50
SBT A600	3x2	MPa 10	mm 49	74	356	359	210
		Psi 1450	inch 1,93	2,91	14,02	14,13	8,27
SBT A600	4x3	MPa 10	mm 74	100	432	435	275
		Psi 1450	inch 2,91	3,94	17,01	17,13	10,83
SBT A600	6x4	MPa 10	mm 100	150	559	562	355
		Psi 1450	inch 3,94	5,91	22,01	22,13	13,98



**ALSO AVAILABLE IN  
FULLY WELDED VERSION**

ANTISTATIC DEVICE



### SBT ANSI 600 FB

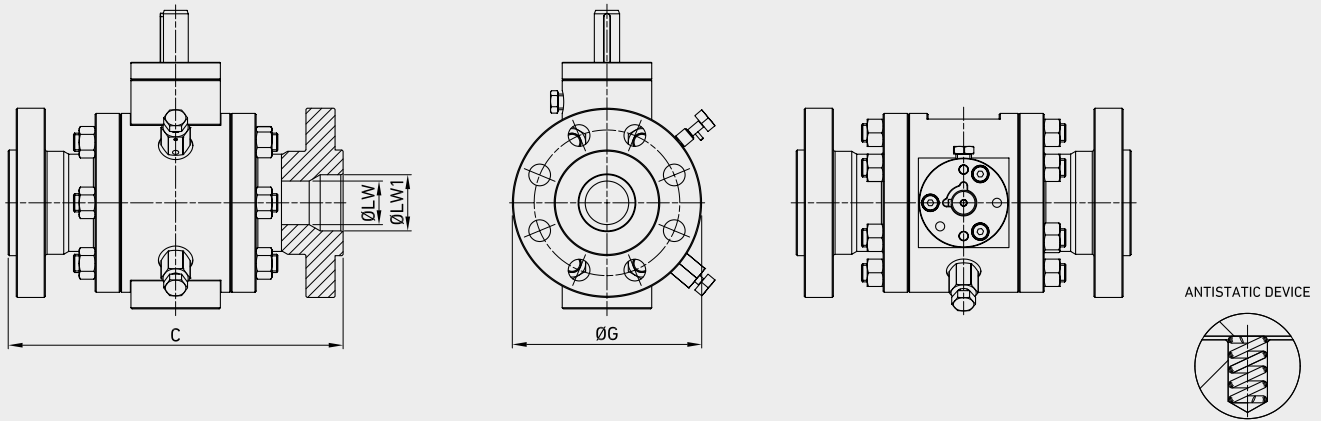
TYPE	INCH	PN	ØLW	ØLW1	C RF	C RTJ	ØG
SBT A600	6	MPa 10	mm 150	-	559	562	35
		Psi 1450	inch 5,91	-	22,01	22,13	1,38
SBT A600	8	MPa 10	mm 201	-	660	664	420
		Psi 1450	inch 7,91	-	25,98	26,14	16,54
SBT A600	10	MPa 10	mm 252	-	787	791	510
		Psi 1450	inch 9,92	-	30,98	31,14	20,08
SBT A600	12	MPa 10	mm 303	-	838	841	560
		Psi 1450	inch 11,93	-	32,99	33,11	22,05
SBT A600	14	MPa 10	mm 334	-	889	892	603,5
		Psi 1450	inch 13,15	-	35,00	35,12	23,76
SBT A600	16	MPa 10	mm 385	-	991	994	686
		Psi 1450	inch 15,16	-	39,02	39,13	27,01
SBT A600	18	MPa 10	mm 436	-	1092	1095	743
		Psi 1450	inch 17,17	-	42,99	43,11	29,25
SBT A600	20	MPa 10	mm 487	-	1194	1200	813
		Psi 1450	inch 19,17	-	47,01	47,24	32,01
SBT A600	22	MPa 10	mm 538	-	1295	1305	870*
		Psi 1450	inch 21,18	-	50,98	51,38	34,25
SBT A600	24	MPa 10	mm 589	-	1397	1407	940
		Psi 1450	inch 23,19	-	55,00	55,39	37,01
SBT A600	26	MPa 10	mm 635	-	1448	1461	-
		Psi 1450	inch 25,00	-	57,01	57,52	-
SBT A600	28	MPa 10	mm 686	-	1549	1562	-
		Psi 1450	inch 27,01	-	60,98	61,50	-
SBT A600	30	MPa 10	mm 737	-	1651	1664	-
		Psi 1450	inch 29,02	-	65,00	65,51	-
SBT A600	32	MPa 10	mm 781	-	1778	1794	-
		Psi 1450	inch 30,75	-	70,00	70,63	-
SBT A600	34	MPa 10	mm 832	-	1930	1946	-
		Psi 1450	inch 32,76	-	75,98	76,61	-
SBT A600	36	MPa 10	mm 876	-	2083	2099	-
		Psi 1450	inch 34,49	-	82,01	82,64	-

\*According to MSS SP44

### SBT ANSI 600 RB

TYPE	INCH	PN	ØLW	ØLW1	C RF	C RTJ	ØG
SBT A600	8x6	MPa 10	mm 150	201	660	664	420
		Psi 1450	inch 5,91	7,91	25,98	26,14	16,54
SBT A600	10x8	MPa 10	mm 201	252	787	791	510
		Psi 1450	inch 7,91	9,92	30,98	31,14	20,08
SBT A600	12x10	MPa 10	mm 252	303	838	841	560
		Psi 1450	inch 9,92	11,93	32,99	33,11	22,05
SBT A600	14x10	MPa 10	mm 252	334	889	892	603,5
		Psi 1450	inch 9,92	13,15	35,00	35,12	23,76
SBT A600	16x12	MPa 10	mm 303	385	991	994	686
		Psi 1450	inch 11,93	15,16	39,02	39,13	27,01
SBT A600	18x14	MPa 10	mm 334	436	1092	1095	743
		Psi 1450	inch 13,15	17,17	42,99	43,11	29,25
SBT A600	20x16	MPa 10	mm 385	487	1194	1200	813
		Psi 1450	inch 15,16	19,17	47,01	47,24	32,01
SBT A600	24x20	MPa 10	mm 487	589	1397	1407	940
		Psi 1450	inch 19,17	23,19	55,00	55,39	37,01
SBT A600	28x24	MPa 10	mm 589	684	1549	1562	1075*
		Psi 1450	inch 23,19	26,93	60,98	61,50	42,32
SBT A600	30x24	MPa 10	mm 591	737	1651	1664	-
		Psi 1450	inch 23,27	29,02	65,00	65,51	-
SBT A600	36x30	MPa 10	mm 737	876	2083	2099	-
		Psi 1450	inch 29,02	34,49	82,01	82,64	-

\*According to MSS SP44

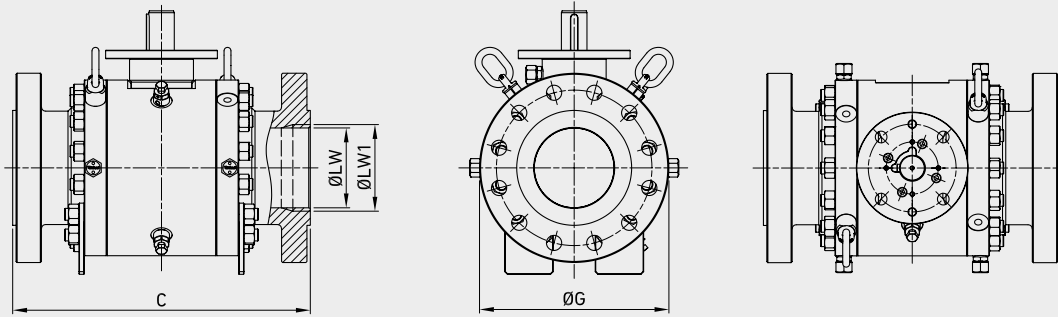


SBT ANSI 900 FB

TYPE	INCH	PN	ØLW	ØLW1	C RF	C RTJ	ØG
SBT A900	2	MPa 15	mm 49	-	368	371	215
		Psi 2175	inch 1,93	-	14,49	14,61	8,46
SBT A900	2 1/2	MPa 15	mm 62	-	419	422	245
		Psi 2175	inch 2,44	-	16,50	16,61	9,65
SBT A900	3	MPa 15	mm 74	-	381	384	240
		Psi 2175	inch 2,91	-	15,00	15,12	9,45
SBT A900	4	MPa 15	mm 100	-	457	460	290
		Psi 2175	inch 3,94	-	17,99	18,11	11,42

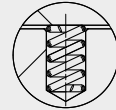
SBT ANSI 900 RB

TYPE	INCH	PN	ØLW	ØLW1	C RF	C RTJ	ØG
SBT A900	2x1 1/2	MPa 15	mm 38	49	368	371	215
		Psi 2175	inch 1,50	1,93	14,49	14,61	8,46
SBT A900	3x2	MPa 15	mm 49	74	381	384	240
		Psi 2175	inch 1,93	2,91	15,00	15,12	9,45
SBT A900	4x3	MPa 15	mm 74	100	457	460	290
		Psi 2175	inch 2,91	3,94	17,99	18,11	11,42
SBT A900	6x4	MPa 15	mm 100	150	610	613	380
		Psi 2175	inch 3,94	5,91	24,02	24,13	14,96



**ALSO AVAILABLE IN  
FULLY WELDED VERSION**

ANTISTATIC DEVICE

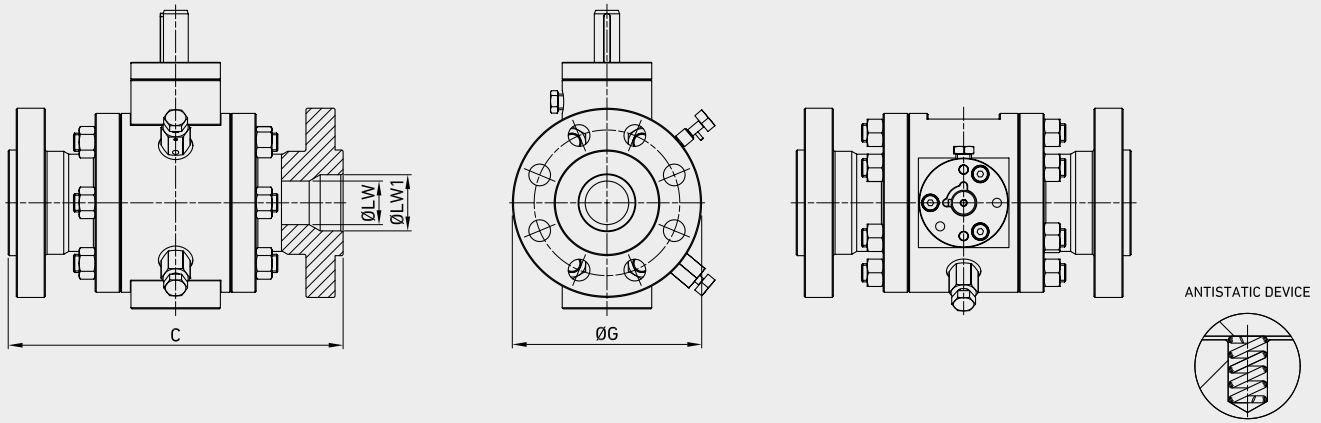


### SBT ANSI 900 FB

TYPE	INCH	PN	ØLW	ØLW1	C RF	C RTJ	ØG
SBT A900	6	MPa 15	mm 150	-	610	613	380
		Psi 2175	inch 5,91	-	24,02	24,13	14,96
SBT A900	8	MPa 15	mm 201	-	737	740	470
		Psi 2175	inch 7,91	-	29,02	29,13	18,50
SBT A900	10	MPa 15	mm 252	-	838	841	545
		Psi 2175	inch 9,92	-	32,99	33,11	21,46
SBT A900	12	MPa 15	mm 303	-	965	968	610
		Psi 2175	inch 11,93	-	37,99	38,11	24,02
SBT A900	14	MPa 15	mm 322	-	1029	1038	641,5
		Psi 2175	inch 12,68	-	40,51	40,87	25,26
SBT A900	16	MPa 15	mm 373	-	1130	1140	705
		Psi 2175	inch 14,69	-	44,49	44,88	27,76
SBT A900	18	MPa 15	mm 423	-	1219	1232	787,5
		Psi 2175	inch 16,65	-	47,99	48,50	31,00
SBT A900	20	MPa 15	mm 471	-	1321	1334	857,5
		Psi 2175	inch 18,54	-	52,01	52,52	33,76
SBT A900	22	MPa 15	mm 522	-	-	-	-
		Psi 2175	inch 20,55	-	-	-	-
SBT A900	24	MPa 15	mm 570	-	1549	1568	1041,5
		Psi 2175	inch 22,44	-	60,98	61,73	41,00
SBT A900	26	MPa 15	mm 619	-	1651	1673	-
		Psi 2175	inch 24,37	-	65,00	65,87	-
SBT A900	28	MPa 15	mm 667	-	1753	1775	-
		Psi 2175	inch 26,26	-	69,02	69,88	-
SBT A900	30	MPa 15	mm 714	-	1880	1902	-
		Psi 2175	inch 28,11	-	74,02	74,88	-
SBT A900	32	MPa 15	mm 762	-	2032	2054	-
		Psi 2175	inch 30,00	-	80,00	80,87	-
SBT A900	34	MPa 15	mm 810	-	2159	2188	-
		Psi 2175	inch 31,89	-	85,00	86,14	-
SBT A900	36	MPa 15	mm 857	-	2286	2315	-
		Psi 2175	inch 33,74	-	90,00	91,14	-

### SBT ANSI 900 RB

TYPE	INCH	PN	ØLW	ØLW1	C RF	C RTJ	ØG
SBT A900	8x6	MPa 15	mm 150	201	737	740	470
		Psi 2175	inch 5,91	7,91	29,02	29,13	18,50
SBT A900	10x8	MPa 15	mm 201	252	838	841	545
		Psi 2175	inch 7,91	9,92	32,99	33,11	21,46
SBT A900	12x10	MPa 15	mm 252	303	965	968	610
		Psi 2175	inch 9,92	11,93	37,99	38,11	24,02
SBT A900	14x10	MPa 15	mm 252	322	1029	1038	641,5
		Psi 2175	inch 9,92	12,68	40,51	40,87	25,26
SBT A900	16x12	MPa 15	mm 303	373	1130	1140	705
		Psi 2175	inch 11,93	14,69	44,49	44,88	27,76
SBT A900	18x14	MPa 15	mm 322	423	1219	1232	787,5
		Psi 2175	inch 12,68	16,65	47,99	48,50	31,00
SBT A900	20x16	MPa 15	mm 373	471	1321	1334	857,5
		Psi 2175	inch 14,69	18,54	52,01	52,52	33,76
SBT A900	24x20	MPa 15	mm 471	570	1549	1568	1041,5
		Psi 2175	inch 18,54	22,44	60,98	61,73	41,00
SBT A900	28x24	MPa 15	mm 570	665	-	-	-
		Psi 2175	inch 22,44	26,18	-	-	-
SBT A900	30x24	MPa 15	mm 572	714	1880	1902	-
		Psi 2175	inch 22,52	28,11	74,02	74,88	-
SBT A900	36x30	MPa 15	mm 714	857	2286	2315	-
		Psi 2175	inch 28,11	33,74	90,00	91,14	-

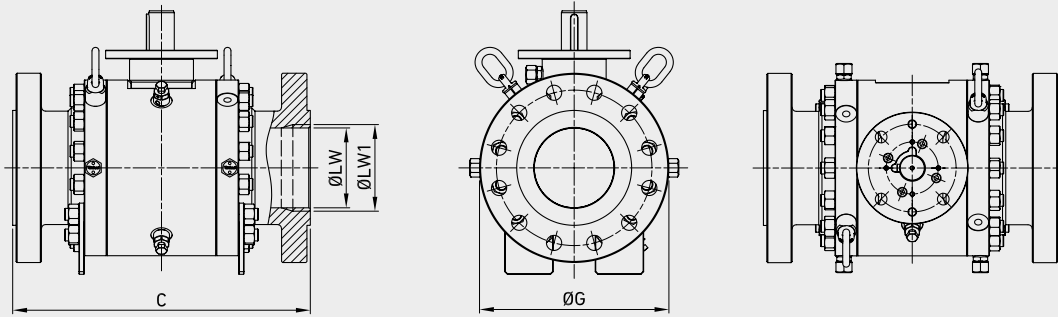


SBT ANSI 1500 FB

TYPE	INCH	PN	ØLW	ØLW1	C RF	C RTJ	ØG
SBT A1500	2	MPa 25	mm 49	-	368	371	215
		Psi 3625	inch 1,93	-	14,49	14,61	8,46
SBT A1500	2 1/2	MPa 25	mm 62	-	419	422	245
		Psi 3625	inch 2,44	-	16,50	16,61	9,65
SBT A1500	3	MPa 25	mm 74	-	470	473	265
		Psi 3625	inch 2,91	-	18,50	18,62	10,43
SBT A1500	4	MPa 25	mm 100	-	546	549	310
		Psi 3625	inch 3,94	-	21,50	21,61	12,20

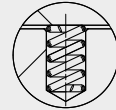
SBT ANSI 1500 RB

TYPE	INCH	PN	ØLW	ØLW1	C RF	C RTJ	ØG
SBT A1500	2x1 1/2	MPa 25	mm 38	49	368	371	215
		Psi 3625	inch 1,50	1,93	14,49	14,61	8,46
SBT A1500	3x2	MPa 25	mm 49	74	470	473	265
		Psi 3625	inch 1,93	2,91	18,50	18,62	10,43
SBT A1500	4x3	MPa 25	mm 74	100	546	549	310
		Psi 3625	inch 2,91	3,94	21,50	21,61	12,20
SBT A1500	6x4	MPa 25	mm 100	144	705	711	395
		Psi 3625	inch 3,94	5,67	27,76	27,99	15,55



**ALSO AVAILABLE IN  
FULLY WELDED VERSION**

ANTISTATIC DEVICE

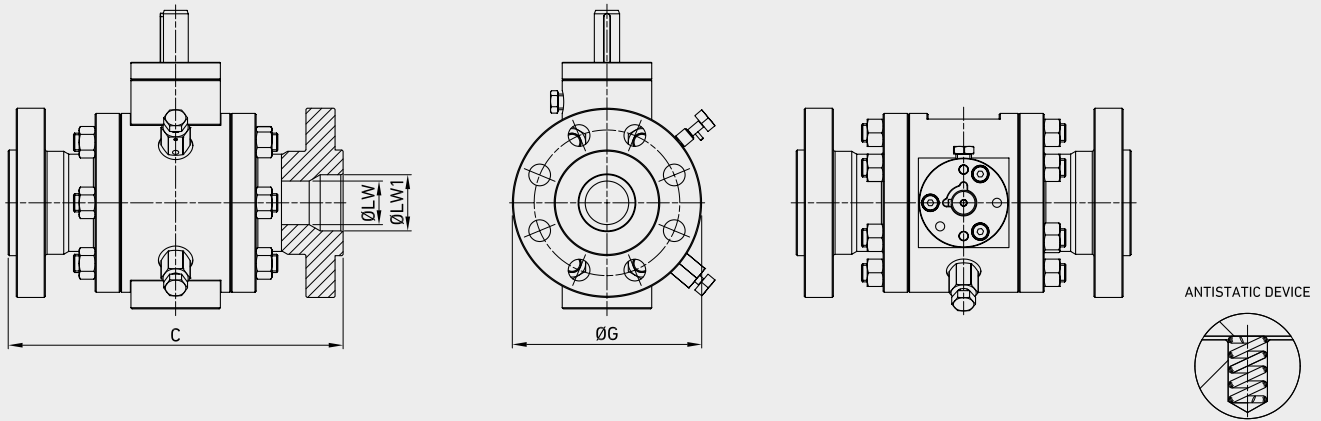


### SBT ANSI 1500 FB

TYPE	INCH	PN	ØLW	ØLW1	C RF	C RTJ	ØG
SBT A1500	6	MPa 25	mm 144	-	705	711	395
		Psi 3625	inch 5,67	-	27,76	27,99	15,55
SBT A1500	8	MPa 25	mm 192	-	832	841	485
		Psi 3625	inch 7,56	-	32,76	33,11	19,09
SBT A1500	10	MPa 25	mm 239	-	991	1000	585
		Psi 3625	inch 9,41	-	39,02	39,37	23,03
SBT A1500	12	MPa 25	mm 287	-	1130	1146	675
		Psi 3625	inch 11,30	-	44,49	45,12	26,57
SBT A1500	14	MPa 25	mm 315	-	1257	1276	749,5
		Psi 3625	inch 12,40	-	49,49	50,24	29,51
SBT A1500	16	MPa 25	mm 360	-	1384	1407	825,5
		Psi 3625	inch 14,17	-	54,49	55,39	32,50
SBT A1500	18	MPa 25	mm 406	-	1537	1559	914,5
		Psi 3625	inch 15,98	-	60,51	61,38	36,00
SBT A1500	20	MPa 25	mm 454	-	1664	1686	984,5
		Psi 3625	inch 17,87	-	65,51	66,38	38,76
SBT A1500	22	MPa 25	mm 500	-	-	-	-
		Psi 3625	inch 19,69	-	-	-	-
SBT A1500	24	MPa 25	mm 546	-	-	1972	1168,5
		Psi 3625	inch 21,50	-	-	77,64	46,00

### SBT ANSI 1500 RB

TYPE	INCH	PN	ØLW	ØLW1	C RF	C RTJ	ØG
SBT A1500	8x6	MPa 25	mm 144	192	832	841	485
		Psi 3625	inch 5,67	7,56	32,76	33,11	19,09
SBT A1500	10x8	MPa 25	mm 192	239	991	1000	585
		Psi 3625	inch 7,56	9,41	39,02	39,37	23,03
SBT A1500	12x10	MPa 25	mm 239	287	1130	1146	675
		Psi 3625	inch 9,41	11,30	44,49	45,12	26,57
SBT A1500	14x10	MPa 25	mm 239	315	1257	1276	749,5
		Psi 3625	inch 9,41	12,40	49,49	50,24	29,51
SBT A1500	16x12	MPa 25	mm 287	360	1384	1407	825,5
		Psi 3625	inch 11,30	14,17	54,49	55,39	32,50
SBT A1500	18x14	MPa 25	mm 315	406	1537	1559	914,5
		Psi 3625	inch 12,40	15,98	60,51	61,38	36,00
SBT A1500	20x16	MPa 25	mm 360	454	1664	1686	984,5
		Psi 3625	inch 14,17	17,87	65,51	65,67	38,76
SBT A1500	24x20	MPa 25	mm 454	546	-	1972	1168,5
		Psi 3625	inch 17,87	21,50	-	77,64	46,00
SBT A1500	28x24	MPa 25	mm 546	641	-	-	-
		Psi 3625	inch 21,50	25,24	-	-	-
SBT A1500	30x24	MPa 25	mm 546	686	-	-	-
		Psi 3625	inch 21,50	27,01	-	-	-



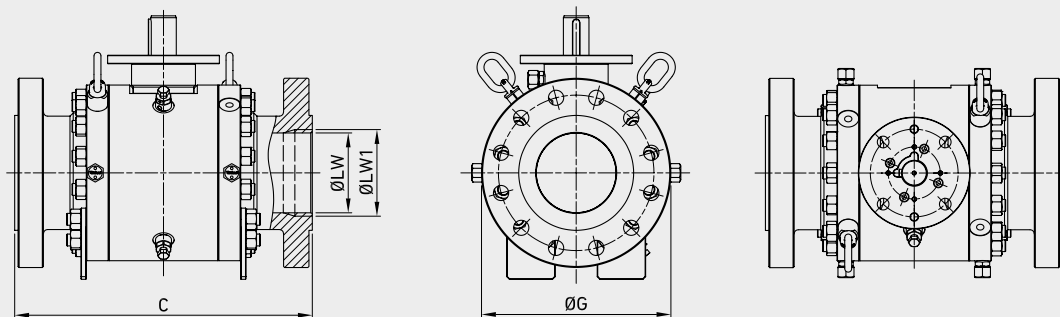
SBT ANSI 2500 FB

TYPE	INCH	PN	ØLW	ØLW1	C RF	C RTJ	ØG
SBT A2500	2	MPa 42	mm 42	-	451	454	235
		Psi 6090	inch 1,65	-	17,76	17,87	9,25
SBT A2500	2 1/2	MPa 42	mm 52	-	508	514	265
		Psi 6090	inch 2,05	-	20,00	20,24	10,43
SBT A2500	3	MPa 42	mm 62	-	578	584	305
		Psi 6090	inch 2,44	-	22,76	22,99	12,01
SBT A2500	4	MPa 42	mm 87	-	673	683	355
		Psi 6090	inch 3,43	-	26,50	26,89	13,98

SBT ANSI 2500 RB

TYPE	INCH	PN	ØLW	ØLW1	C RF	C RTJ	ØG
SBT A2500	2x1 1/2	MPa 42	mm 38	42	451	454	235
		Psi 6090	inch 1,50	1,65	17,76	17,87	9,25
SBT A2500	3x2	MPa 42	mm 42	62	578	584	305
		Psi 6090	inch 1,65	2,44	22,76	22,99	12,01
SBT A2500	4x3	MPa 42	mm 62	87	673	683	355
		Psi 6090	inch 2,44	3,43	26,50	26,89	13,98
SBT A2500	6x4	MPa 42	mm 87	131	914	927	485
		Psi 6090	inch 3,43	5,16	35,98	36,50	19,09





**ALSO AVAILABLE IN  
FULLY WELDED VERSION**

ANTISTATIC DEVICE



### SBT ANSI 2500 FB

TYPE	INCH	PN	ØLW	ØLW1	C RF	C RTJ	ØG
SBT A2500	6	MPa 42	mm 131	-	914	927	485
		Psi 6090	inch 5,16	-	35,98	36,50	19,09
SBT A2500	8	MPa 42	mm 179	-	1022	1038	550
		Psi 6090	inch 7,05	-	40,24	40,87	21,65
SBT A2500	10	MPa 42	mm 223	-	1270	1294	675
		Psi 6090	inch 8,78	-	50,00	50,94	26,57
SBT A2500	12	MPa 42	mm 265	-	1422	1445	760
		Psi 6090	inch 10,43	-	55,98	56,89	29,92
SBT A2500	14	MPa 42	mm 292	-	-	-	-
		Psi 6090	inch 11,50	-	-	-	-
SBT A2500	16	MPa 42	mm 333	-	-	-	-
		Psi 6090	inch 13,11	-	-	-	-
SBT A2500	18	MPa 42	mm 374	-	-	-	-
		Psi 6090	inch 14,72	-	-	-	-
SBT A2500	20	MPa 42	mm 419	-	-	-	-
		Psi 6090	inch 16,50	-	-	-	-

### SBT ANSI 2500 RB

TYPE	INCH	PN	ØLW	ØLW1	C RF	C RTJ	ØG
SBT A2500	8x6	MPa 42	mm 131	179	1022	1038	550
		Psi 6090	inch 5,16	7,05	40,24	40,87	21,65
SBT A2500	10x8	MPa 42	mm 179	223	1270	1292	675
		Psi 6090	inch 7,05	8,78	50,00	50,87	26,57
SBT A2500	12x10	MPa 42	mm 223	265	1422	1445	760
		Psi 6090	inch 8,78	10,43	55,98	56,89	29,92
SBT A2500	14x10	MPa 42	mm 223	292	-	-	-
		Psi 6090	inch 8,78	11,50	-	-	-
SBT A2500	16x12	MPa 42	mm 265	333	-	-	-
		Psi 6090	inch 10,43	13,11	-	-	-
SBT A2500	18x14	MPa 42	mm 292	374	-	-	-
		Psi 6090	inch 11,50	14,72	-	-	-
SBT A2500	20x16	MPa 42	mm 333	419	-	-	-
		Psi 6090	inch 13,11	16,50	-	-	-



# DBB

## DOUBLE BLOCK AND BLEED

Edition. 21.0

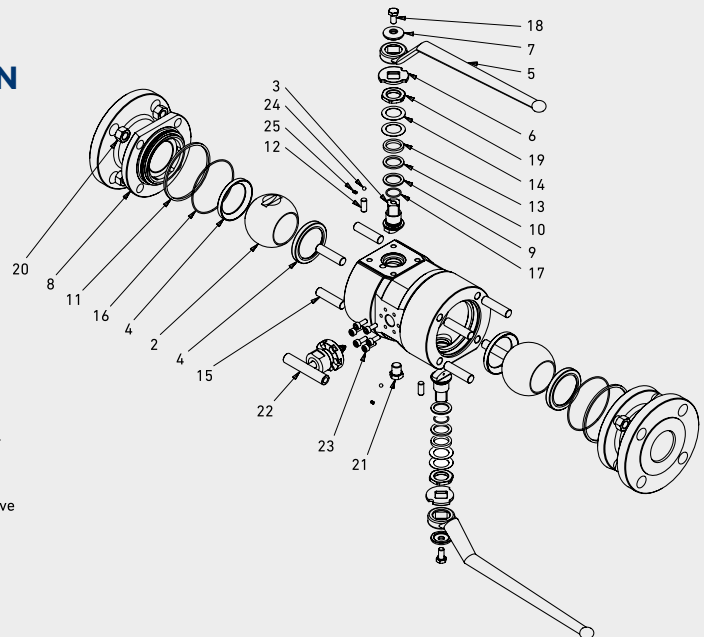
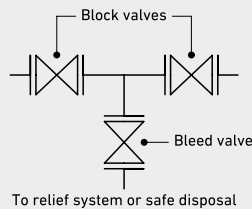
### CS Carbon Steel

- Treatment: Paint protection

### SS Stainless Steel

- **CS, SS, DSS, ALLOY (Forged)**
- Type: ball valve Double Block and Bleed
- Sizes: from DN13 up to DN200
- Pressure: ANSI 150-2500
- Temperature: from -50° up to +200° (depending on materials selected)

### STANDARD COMPOSITION OF VALVE

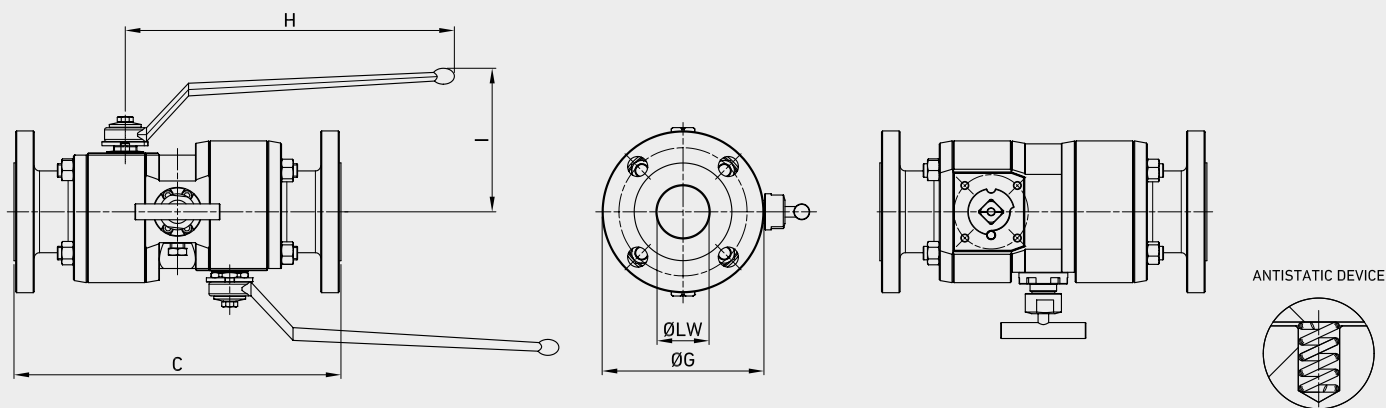


POS	DESCRIPTION	Q.TY	CS	SS	POS	DESCRIPTION	Q.TY	CS	SS
			Carbon Steel	Stainless Steel				Carbon Steel	Stainless Steel
			MATERIAL					MATERIAL	
1	Body	1	ASTM A350 LF2	ASTMA479 Tp.316	13	Stem ring	2	AISI 316	AISI 316
2	Ball	2	ASTM A479 Tp.316	ASTMA479 Tp.316	14	Spring	4	AISI 316	AISI 316
3	Stem	2	ASTM A479 Tp.316	ASTMA479 Tp.316	15	Bolts	8	ASTM A320 L7M	ASTMA193 B8M CL2
4	Ball seat	4	RPTFE	RPTFE	16	O-ring	2	FKM	FKM
5	Handle	2	Fe37	Fe37	17	O-ring	2	FKM	FKM
6	Washer	2	AISI 316	AISI 316	18	Screw	2	ISO 4017 A4	ISO 4017 A4
7	Washer	2	AISI 316	AISI 316	19	Nut	2	AISI 316	AISI 316
8	Flange	2	ASTM A350 LF2	ASTMA479 Tp.316	20	Nut	8	ASTM A194 Gr.7M	ASTM A194 Gr.8M
9	Stem ring	2	PTFE	PTFE	21	Plug	1	AISI 316	AISI 316
10	Stem ring	2	Graphite	Graphite	22	Bleeder bonnet	1	AISI 316	AISI 316
11	Flange ring	2	Graphite	Graphite	23	Spring	2	AISI 316	AISI 316
12	Pin	2	AISI 316	AISI 316	24	Antistatic ball	2	AISI 316	AISI 316



### CODE DESCRIPTION STRUCTURE

DBB	ANSI600	2"	DN50	FB	LF2	F316	RPTFE	FKM	RF
<p><b>Type and way of valve</b> _____                      DBB Double block and bleed</p> <p><b>Valves dimension of pressure (LBS)</b> _____                      ANSI150                      ANSI300                      ANSI600                      ANSI900                      ANSI1500                      ANSI2500</p> <p><b>Sizes</b> _____                      from 1/2" to 8"</p> <p><b>Sizes</b> _____                      from DN13 to DN200</p> <p><b>Bore</b> _____                      FB full bore                      RB reduce bore</p> <p><b>Body material</b> _____                      ● A105* LF2                      ● F316</p> <p><b>Stem material</b> _____                      ● F316 A105* LF2* F51*                      ● F316 F51*</p> <p><b>Ball seat material</b> _____                      RPTFE PEEK* POM* DEVLON* MET-TO-MET*</p> <p><b>Adapter and stem seal material</b> _____                      FKM NBR* EPDM* MVQ*</p> <p><b>Flanged</b> _____                      RF RTJ* BW* FF*</p>									



DBB 150 FB

TYPE	INCH	PN	ØLW	ØLW1	C RF	C RTJ	ØG	H	I
FLOATING	1/2	MPa 2	mm 13	-	194,4	214,2	90	225	110
		Psi 290	inch 0,51	-	7,65	8,43	3,54	8,86	4,33
FLOATING	3/4	MPa 2	mm 20	-	210,6	234	100	228	112
		Psi 290	inch 0,79	-	8,29	9,21	3,94	8,98	4,41
FLOATING	1	MPa 2	mm 25	-	228,6	252	110	233	116
		Psi 290	inch 0,98	-	9,00	9,92	4,33	9,17	4,57
FLOATING	1 1/2	MPa 2	mm 38	-	297	320,4	125	305	135
		Psi 290	inch 1,50	-	11,69	12,61	4,92	12,01	5,31
FLOATING	2	MPa 2	mm 49	-	320,4	343,8	150	310	145
		Psi 290	inch 1,93	-	12,61	13,54	5,91	12,20	5,71
FLOATING	3	MPa 2	mm 74	-	365,4	388,8	190	520	190
		Psi 290	inch 2,91	-	14,39	15,31	7,48	20,47	7,48
FLOATING	4	MPa 2	mm 95	-	412,2	435,6	230	535	210
		Psi 290	inch 3,74	-	16,23	17,15	9,06	21,06	8,27
FLOATING	6	MPa 2	mm 150	-	709,2	732,6	280	-	250
		Psi 290	inch 5,91	-	27,92	28,84	11,02	-	9,84
TRUNNION	8	MPa 2	mm 201	-	822,6	846	345	-	280
		Psi 290	inch 7,91	-	32,39	33,31	13,58	-	11,02
TRUNNION	10	MPa 2	mm 252	-	-	-	-	-	-
		Psi 290	inch 9,92	-	-	-	-	-	-

DBB 150 RB

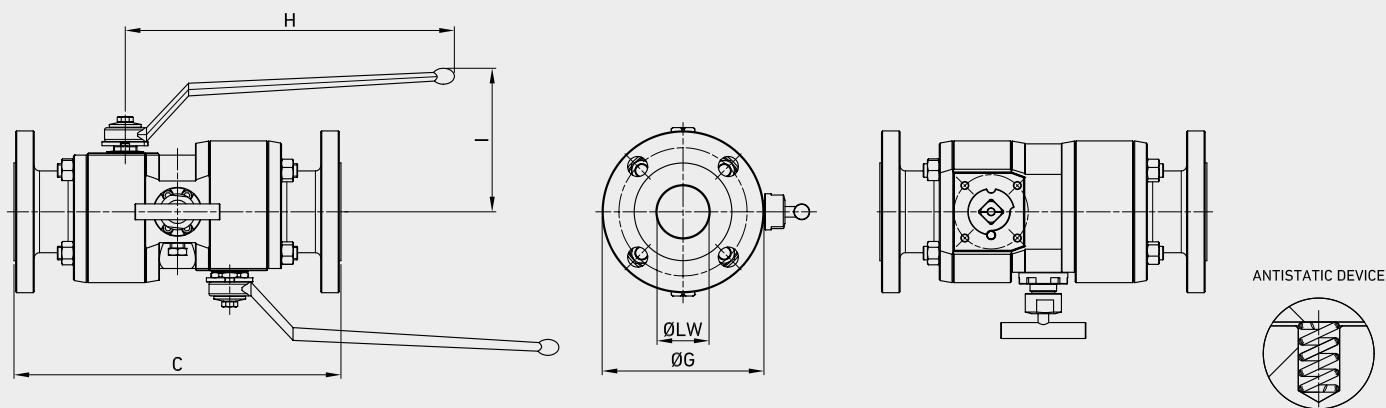
TYPE	INCH	PN	ØLW	ØLW1	CRF	C RTJ	ØG	H	I
FLOATING	3/4 x 1/2	MPa 2	mm 13	20	210,6	234	100	225	110
		Psi 290	inch 0,51	0,79	8,29	9,21	3,94	8,86	4,33
FLOATING	1 x 3/4	MPa 2	mm 20	25	228,6	252	110	228	112
		Psi 290	inch 0,79	0,98	9,00	9,92	4,33	8,98	4,41
FLOATING	1 1/2 x 1	MPa 2	mm 25	38	297	320,4	125	233	116
		Psi 290	inch 0,98	1,50	11,69	12,61	4,92	9,17	4,57
FLOATING	2 x 1 1/2	MPa 2	mm 38	49	320,4	343,8	150	305	135
		Psi 290	inch 1,50	1,93	12,61	13,54	5,91	12,01	5,31
FLOATING	3x2	MPa 2	mm 49	74	365,4	388,8	190	310	145
		Psi 290	inch 1,93	2,91	14,39	15,31	7,48	12,20	5,71
FLOATING	4x3	MPa 2	mm 74	95	412,2	435,6	230	520	190
		Psi 290	inch 2,91	3,74	16,23	17,15	9,06	20,47	7,48
FLOATING	6x4	MPa 2	mm 95	150	709,2	732,6	280	535	210
		Psi 290	inch 3,74	5,91	27,92	28,84	11,02	21,06	8,27
FLOATING	8x6	MPa 2	mm 150	201	822,6	846	345	870	250
		Psi 290	inch 5,91	7,91	32,39	33,31	13,58	34,25	9,84

**DBB 300 FB**

TYPE	INCH	PN	ØLW	ØLW1	CRF	CRTJ	ØG	H	I
FLOATING	1/2	MPa 5	mm 13	-	252	271,8	95	225	110
		Psi 725	inch 0,51	-	9,92	10,70	3,74	8,86	4,33
FLOATING	3/4	MPa 5	mm 20	-	273,6	297	115	228	112
		Psi 725	inch 0,79	-	10,77	11,69	4,53	8,98	4,41
FLOATING	1	MPa 5	mm 25	-	297	320,4	125	233	116
		Psi 725	inch 0,98	-	11,69	12,61	4,92	9,17	4,57
FLOATING	1 1/2	MPa 5	mm 38	-	343,8	365,4	155	305	135
		Psi 725	inch 1,50	-	13,54	14,39	6,10	12,01	5,31
FLOATING	2	MPa 5	mm 49	-	388,8	417,6	165	310	145
		Psi 725	inch 1,93	-	15,31	16,44	6,50	12,20	5,71
FLOATING	3	MPa 5	mm 74	-	509,4	538,2	210	520	190
		Psi 725	inch 2,91	-	20,06	21,19	8,27	20,47	7,48
FLOATING	4	MPa 5	mm 95	-	549	577,8	255	535	210
		Psi 725	inch 3,74	-	21,61	22,75	10,04	21,06	8,27
FLOATING	6	MPa 5	mm 150	-	725,4	754,2	320	-	250
		Psi 725	inch 5,91	-	28,56	29,69	12,60	-	9,84
TRUNNION	8	MPa 5	mm 201	-	903,6	932,4	380	-	280
		Psi 725	inch 7,91	-	35,57	36,71	14,96	-	11,02
TRUNNION	10	MPa 5	mm 252	-	1022,4	1051,2	445	-	-
		Psi 725	inch 9,92	-	40,25	41,39	17,52	-	-

**DBB 300 RB**

TYPE	INCH	PN	ØLW	ØLW1	CRF	CRTJ	ØG	H	I
FLOATING	3/4 x 1/2	MPa 5	mm 13	20	273,6	297	115	225	110
		Psi 725	inch 0,51	0,79	10,77	11,69	4,53	8,86	4,33
FLOATING	1 x 3/4	MPa 5	mm 20	25	297	267	125	228	112
		Psi 725	inch 0,79	0,98	11,69	10,51	4,92	8,98	4,41
FLOATING	1 1/2 x 1	MPa 5	mm 25	38	343,8	365,4	155	233	116
		Psi 725	inch 0,98	1,50	13,54	14,39	6,10	9,17	4,57
FLOATING	2 x 1 1/2	MPa 5	mm 38	49	388,8	417,6	165	305	135
		Psi 725	inch 1,50	1,93	15,31	16,44	6,50	12,01	5,31
FLOATING	3x2	MPa 5	mm 49	74	509,4	538,2	210	310	145
		Psi 725	inch 1,93	2,91	20,06	21,19	8,27	12,20	5,71
FLOATING	4x3	MPa 5	mm 74	95	549	577,8	255	520	190
		Psi 725	inch 2,91	3,74	21,61	22,75	10,04	20,47	7,48
FLOATING	6x4	MPa 5	mm 95	150	725,4	754,2	320	535	210
		Psi 725	inch 3,74	5,91	28,56	29,69	12,60	21,06	8,27
FLOATING	8x6	MPa 5	mm 150	201	903,6	932,2	380	-	250
		Psi 725	inch 5,91	7,91	35,57	36,70	14,96	-	9,84



**DBB 600 FB**

TYPE	INCH	PN	ØLW	ØLW1	C RF	C RTJ	ØG	H	I
FLOATING	1/2	MPa 10	mm 13	-	228	226	95	225	110
		Psi 1450	inch 0,51	-	8,98	8,90	3,74	8,86	4,33
FLOATING	3/4	MPa 10	mm 20	-	234	234	115	228	112
		Psi 1450	inch 0,79	-	9,21	9,21	4,53	8,98	4,41
FLOATING	1	MPa 10	mm 25	-	252	252	125	233	116
		Psi 1450	inch 0,98	-	9,92	9,92	4,92	9,17	4,57
FLOATING	1 1/2	MPa 10	mm 38	-	325	325	155	305	135
		Psi 1450	inch 1,50	-	12,80	12,80	6,10	12,01	5,31
FLOATING	2	MPa 10	mm 49	-	353	356	165	310	145
		Psi 1450	inch 1,93	-	13,90	14,02	6,50	12,20	5,71
FLOATING	3	MPa 10	mm 74	-	462	465	210	520	190
		Psi 1450	inch 2,91	-	18,19	18,31	8,27	20,47	7,48
FLOATING	4	MPa 10	mm 95	-	697	700	275	-	197
		Psi 1450	inch 3,74	-	27,44	27,56	10,83	-	7,76
FLOATING	6	MPa 10	mm 150	-	877	880	355	-	250
		Psi 1450	inch 5,91	-	34,53	34,65	13,98	-	9,84
TRUNNION	8	MPa 10	mm 201	-	1050	1053	420	-	290
		Psi 1450	inch 7,91	-	41,34	41,46	16,54	-	11,42
TRUNNION	10	MPa 10	mm 252	-	1259,2	1265,6	510	-	-
		Psi 1450	inch 9,92	-	49,57	49,83	20,08	-	-

**DBB 600 RB**

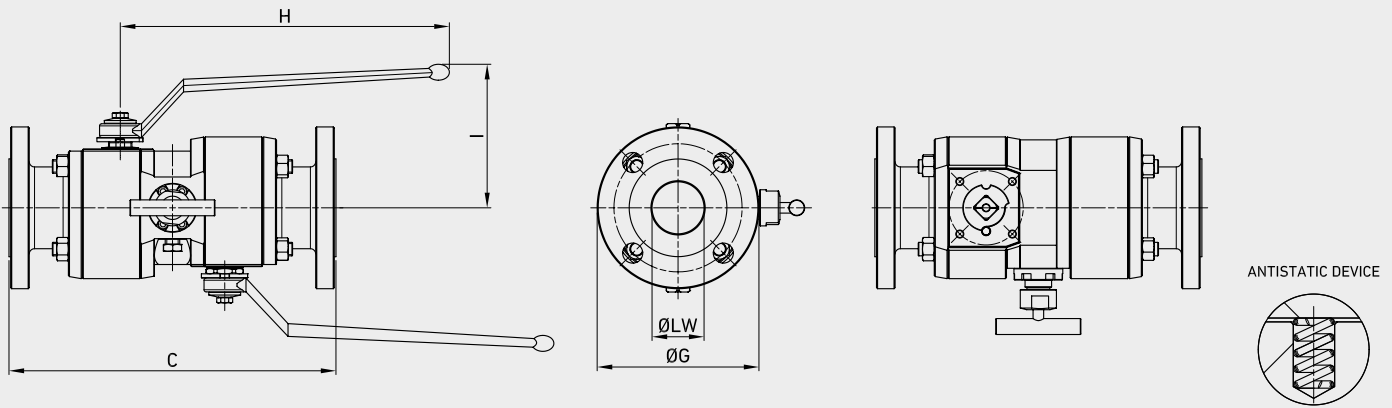
TYPE	INCH	PN	ØLW	ØLW1	CRF	C RTJ	ØG	H	I
FLOATING	3/4 x 1/2	MPa 10	mm 13	20	230	230	115	225	110
		Psi 1450	inch 0,51	0,79	9,06	9,06	4,53	8,86	4,33
FLOATING	1 x 3/4	MPa 10	mm 20	25	238	238	125	228	112
		Psi 1450	inch 0,79	0,98	9,37	9,37	4,92	8,98	4,41
FLOATING	1 1/2 x 1	MPa 10	mm 25	38	262	262	155	233	116
		Psi 1450	inch 0,98	1,50	10,31	10,31	6,10	9,17	4,57
FLOATING	2 x 1 1/2	MPa 10	mm 38	49	332	338	165	305	135
		Psi 1450	inch 1,50	1,93	13,07	13,31	6,50	12,01	5,31
FLOATING	3x2	MPa 10	mm 49	74	368	371	210	310	145
		Psi 1450	inch 1,93	2,91	14,49	14,61	8,27	12,20	5,71
FLOATING	4x3	MPa 10	mm 74	95	477	480	275	520	190
		Psi 1450	inch 2,91	3,74	18,78	18,90	10,83	20,47	7,48
FLOATING	6x4	MPa 10	mm 95	150	727	730	355	-	197
		Psi 1450	inch 3,74	5,91	28,62	28,74	13,98	-	7,76
FLOATING	8x6	MPa 10	mm 150	201	907	910	420	-	250
		Psi 1450	inch 5,91	7,91	35,71	35,83	16,54	-	9,84

**DBB 900 FB**

TYPE	INCH	PN	ØLW	ØLW1	CRF	CRTJ	ØG	H	I
FLOATING	1/2	MPa 15	mm 13	-	276	276	120	225	112
		Psi 2175	inch 0,51	-	10,87	10,87	4,72	8,86	4,41
FLOATING	3/4	MPa 15	mm 20	-	287	287	130	228	114
		Psi 2175	inch 0,79	-	11,30	11,30	5,12	8,98	4,49
FLOATING	1	MPa 15	mm 25	-	330	330	150	295	122
		Psi 2175	inch 0,98	-	12,99	12,99	5,91	11,61	4,80
FLOATING	1 1/2	MPa 15	mm 38	-	400	400	180	410	155
		Psi 2175	inch 1,50	-	15,75	15,75	7,09	16,14	6,10
FLOATING	2	MPa 15	mm 49	-	464	467	215	415	162
		Psi 2175	inch 1,93	-	18,27	18,39	8,46	16,34	6,38
FLOATING	3	MPa 15	mm 74	-	647	650	240	-	180
		Psi 2175	inch 2,91	-	25,47	25,59	9,45	-	7,09
FLOATING	4	MPa 15	mm 95	-	747	750	290	-	220
		Psi 2175	inch 3,74	-	29,41	29,53	11,42	-	8,66
FLOATING	6	MPa 15	mm 150	-	977	980	380	-	260
		Psi 2175	inch 5,91	-	38,46	38,58	14,96	-	10,24
TRUNNION	8	MPa 15	mm 201	-	1197	1200	470	-	300
		Psi 2175	inch 7,91	-	47,13	47,24	18,50	-	11,81
TRUNNION	10	MPa 15	mm 252	-	1340,8	1513,8	545	-	-
		Psi 2175	inch 9,92	-	52,79	59,60	21,46	-	-

**DBB 900 RB**

TYPE	INCH	PN	ØLW	ØLW1	CRF	CRTJ	ØG	H	I
FLOATING	3/4 x 1/2	MPa 15	mm 13	20	282	282	130	225	112
		Psi 2175	inch 0,51	0,79	11,10	11,10	5,12	8,86	4,41
FLOATING	1 x 3/4	MPa 15	mm 20	25	295	295	150	228	114
		Psi 2175	inch 0,79	0,98	11,61	11,61	5,91	8,98	4,49
FLOATING	1 1/2 x 1	MPa 15	mm 25	38	340	340	180	295	122
		Psi 2175	inch 0,98	1,50	13,39	13,39	7,09	11,61	4,80
FLOATING	2 x 1 1/2	MPa 15	mm 38	49	412	415	215	410	155
		Psi 2175	inch 1,50	1,93	16,22	16,34	8,46	16,14	6,10
FLOATING	3x2	MPa 15	mm 49	74	442	445	240	415	162
		Psi 2175	inch 1,93	2,91	17,40	17,52	9,45	16,34	6,38
FLOATING	4x3	MPa 15	mm 74	95	662	665	290	-	180
		Psi 2175	inch 2,91	3,74	26,06	26,18	11,42	-	7,09
FLOATING	6x4	MPa 15	mm 95	150	772	775	380	-	220
		Psi 2175	inch 3,74	5,91	30,39	30,51	14,96	-	8,66
TRUNNION	8x6	MPa 15	mm 150	201	1017	1020	470	-	260
		Psi 2175	inch 5,91	7,91	40,04	40,16	18,50	-	10,24



**DBB 1500 FB**

TYPE	INCH	PN	ØLW	ØLW1	C RF	C RTJ	ØG	H	I
FLOATING	1/2	MPa 25	mm 13	-	276	276	120	225	112
		Psi 3625	inch 0,51	-	10,87	10,87	4,72	8,86	4,41
FLOATING	3/4	MPa 25	mm 20	-	287	287	130	228	114
		Psi 3625	inch 0,79	-	11,30	11,30	5,12	8,98	4,49
FLOATING	1	MPa 25	mm 25	-	330	330	150	295	122
		Psi 3625	inch 0,98	-	12,99	12,99	5,91	11,61	4,80
FLOATING	1 1/2	MPa 25	mm 38	-	400	400	180	410	155
		Psi 3625	inch 1,50	-	15,75	15,75	7,09	16,14	6,10
FLOATING	2	MPa 25	mm 49	-	464	467	215	415	162
		Psi 3625	inch 1,93	-	18,27	18,39	8,46	16,34	6,38
FLOATING	3	MPa 25	mm 74	-	697	700	265	-	180
		Psi 3625	inch 2,91	-	27,44	27,56	10,43	-	7,09
FLOATING	4	MPa 25	mm 95	-	827	830	310	-	220
		Psi 3625	inch 3,74	-	32,56	32,68	12,20	-	8,66
FLOATING	6	MPa 25	mm 144	-	1084	1090	395	-	270
		Psi 3625	inch 5,67	-	42,68	42,91	15,55	-	10,63
TRUNNION	8	MPa 25	mm 192	-	1340	1350	485	-	310
		Psi 3625	inch 7,56	-	52,76	53,15	19,09	-	12,20
TRUNNION	10	MPa 25	mm 239	-	1585,6	1600	585	-	-
		Psi 3625	inch 9,41	-	62,43	62,99	23,03	-	-

**DBB 1500 RB**

TYPE	INCH	PN	ØLW	ØLW1	CRF	C RTJ	ØG	H	I
FLOATING	3/4 x 1/2	MPa 25	mm 13	20	282	282	130	225	112
		Psi 3625	inch 0,51	0,79	11,10	11,10	5,12	8,86	4,41
FLOATING	1 x 3/4	MPa 25	mm 20	25	295	295	150	228	114
		Psi 3625	inch 0,79	0,98	11,61	11,61	5,91	8,98	4,49
FLOATING	1 1/2 x 1	MPa 25	mm 25	38	340	340	180	295	122
		Psi 3625	inch 0,98	1,50	13,39	13,39	7,09	11,61	4,80
FLOATING	2 x 1 1/2	MPa 25	mm 38	49	412	415	215	410	155
		Psi 3625	inch 1,50	1,93	16,22	16,34	8,46	16,14	6,10
FLOATING	3x2	MPa 25	mm 49	74	737	740	265	415	162
		Psi 3625	inch 1,93	2,91	29,02	29,13	10,43	16,34	6,38
FLOATING	4x3	MPa 25	mm 74	95	894	900	310	-	180
		Psi 3625	inch 2,91	3,74	35,20	35,43	12,20	-	7,09
FLOATING	6x4	MPa 25	mm 95	144	1120	1130	395	-	220
		Psi 3625	inch 3,74	5,67	44,09	44,49	15,55	-	8,66
TRUNNION	8x6	MPa 25	mm 144	192	-	-	485	-	270
		Psi 3625	inch 5,67	7,56	-	-	19,09	-	10,63



**DBB 2500 FB**

TYPE	INCH	PN	ØLW	ØLW1	CRF	CRTJ	ØG	H	I
FLOATING	1/2	MPa 42	mm 13	-	291	291	135	225	112
		Psi 6090	inch 0,51	-	11,46	11,46	5,31	8,86	4,41
FLOATING	3/4	MPa 42	mm 20	-	300	300	140	228	114
		Psi 6090	inch 0,79	-	11,81	11,81	5,51	8,98	4,49
FLOATING	1	MPa 42	mm 25	-	350	350	160	295	122
		Psi 6090	inch 0,98	-	13,78	13,78	6,30	11,61	4,80
FLOATING	1 1/2	MPa 42	mm 38	-	565	565	205	-	100
		Psi 6090	inch 1,50	-	22,24	22,24	8,07	-	3,94
FLOATING	2	MPa 42	mm 42	-	652	655	235	-	125
		Psi 6090	inch 1,65	-	25,67	25,79	9,25	-	4,92
FLOATING	3	MPa 42	mm 62	-	864	870	305	-	190
		Psi 6090	inch 2,44	-	34,02	34,25	12,01	-	7,48
FLOATING	4	MPa 42	mm 87	-	990	1000	355	-	240
		Psi 6090	inch 3,43	-	38,98	39,37	13,98	-	9,45
FLOATING	6	MPa 42	mm 131	-	1317	1330	485	-	280
		Psi 6090	inch 5,16	-	51,85	52,36	19,09	-	11,02
TRUNNION	8	MPa 42	mm 179	-	1484	1500	550	-	380
		Psi 6090	inch 7,05	-	58,43	59,06	21,65	-	14,96
TRUNNION	10	MPa 42	mm 223	-	1905	1941	675	-	-
		Psi 6090	inch 8,78	-	75,00	76,42	26,57	-	-

**DBB 2500 RB**

TYPE	INCH	PN	ØLW	ØLW1	CRF	CRTJ	ØG	H	I
FLOATING	3/4 x 1/2	MPa 42	mm 13	20	294	294	140	225	112
		Psi 6090	inch 0,51	0,79	11,57	11,57	5,51	8,86	4,41
FLOATING	1 x 3/4	MPa 42	mm 20	25	310	310	160	228	114
		Psi 6090	inch 0,79	0,98	12,20	12,20	6,30	8,98	4,49
FLOATING	1 1/2 x 1	MPa 42	mm 25	38	370	373	205	295	122
		Psi 6090	inch 0,98	1,50	14,57	14,69	8,07	11,61	4,80
FLOATING	2 x 1 1/2	MPa 42	mm 38	42	577	580	235	-	100
		Psi 6090	inch 1,50	1,65	22,72	22,83	9,25	-	3,94
FLOATING	3x2	MPa 42	mm 42	62	694	700	305	-	125
		Psi 6090	inch 1,65	2,44	27,32	27,56	12,01	-	4,92
FLOATING	4x3	MPa 42	mm 62	87	890	900	355	-	190
		Psi 6090	inch 2,44	3,43	35,04	35,43	13,98	-	7,48
FLOATING	6x4	MPa 42	mm 87	131	1067	1080	485	-	240
		Psi 6090	inch 3,43	5,16	42,01	42,52	19,09	-	9,45
TRUNNION	8x6	MPa 42	mm 131	179	1384	1400	675	-	280
		Psi 6090	inch 5,16	7,05	54,49	55,12	26,57	-	11,02





# KITS

**GEMELS**, with its product package, also provides to its customers Spare Parts, such as levers, locking devices, actuators and limit switches. In this way, **GEMELS** supplies a complete package and is able to provide a service to customers from all over the world, especially thanks to its knowledge of the field and of the multiple applications.

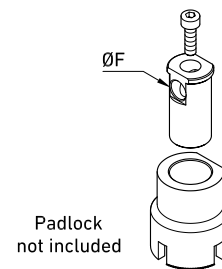


# LOCKING DEVICE

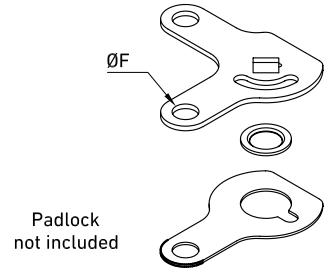
Edition. 21.4

- **LKB** FOR GM - GN
- **LKF** FOR GE - GB - GHP - GPK
- **LKR** FOR GR
- **SECURITY BLOCK** FOR GE - GB  
GHP - GPK (except DN6) - G3/4K
- **LKS** FOR SBF - SBF-W




**LKB FOR GM - GN**

TYPE	DN	SW	ØF	MATERIAL	TREATMENT	WEIGHT	ITEM CODE		
LK6-B	6-10-13	mm	9	9,5	CARBON STEEL	GALVANIZED	kg	0,178	KMK00LK6B2Z
		inch	0,35				0,37	lb	
LK6-B	6-10-13	mm	9	9,5	STAINLESS STEEL	-	kg	0,178	KMK00LK6B6H
		inch	0,35				0,37	lb	
LK20-B	20-25	mm	14	10,5	CARBON STEEL	GALVANIZED	kg	0,413	KMK00LK20B2Z
		inch	0,55				0,41	lb	
LK20-B	20-25	mm	14	10,5	STAINLESS STEEL	-	kg	0,413	KMK00LK20B6H
		inch	0,55				0,41	lb	
LK32-B	32-40-50	mm	17	10,5	CARBON STEEL	GALVANIZED	kg	0,53	KMK00LK32B2Z
		inch	0,67				0,41	lb	
LK32-B	32-40-50	mm	17	10,5	STAINLESS STEEL	-	kg	0,53	KMK00LK32B6H
		inch	0,67				0,41	lb	

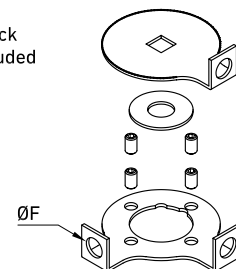


LKF FOR GE - GB - GHP - GPK

TYPE	DN	SW	ØF	MATERIAL	TREATMENT	WEIGHT	ITEM CODE
LK6-MF	6 only for GPK	mm 6	6,8	CARBON STEEL	GALVANIZED	kg 0,043	K0K00LK6MF2Z
		inch 0,24	0,27			lb 0,09	
LK6-F	6-10-13	mm 9	9,5	CARBON STEEL	GALVANIZED	kg 0,043	K0K00LK6F2Z
		inch 0,35	0,37			lb 0,09	
LK6-F	6-10-13	mm 9	9,5	STAINLESS STEEL	-	kg 0,043	K0K00LK6F6H
		inch 0,35	0,37			lb 0,09	
LK20-F	20-25	mm 14	9,5	CARBON STEEL	GALVANIZED	kg 0,121	K0K00LK20F2Z
		inch 0,55	0,37			lb 0,27	
LK20-F	20-25	mm 14	9,5	STAINLESS STEEL	-	kg 0,121	K0K00LK20F6H
		inch 0,55	0,37			lb 0,27	
LK32-F	32-40-50	mm 17	9,5	CARBON STEEL	GALVANIZED	kg 0,187	K0K00LK32F2Z
		inch 0,67	0,37			lb 0,41	
LK32-F	32-40-50	mm 17	9,5	STAINLESS STEEL	-	kg 0,187	K0K00LK32F6H
		inch 0,67	0,37			lb 0,41	

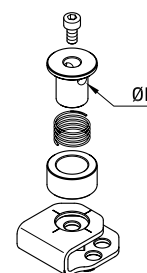


Padlock  
not included



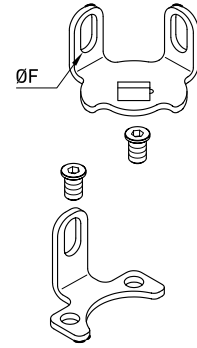
**LKR FOR GR**

TYPE	DN	SW	ØF	MATERIAL	TREATMENT	WEIGHT	ITEM CODE
LKR13	13	mm 9	9,5	CARBON STEEL	GALVANIZED	kg 0,1	K0K00LKR132Z
		inch 0,35	0,37			lb 0,22	
LKR13	13	mm 9	9,5	STAINLESS STEEL	-	kg 0,1	K0K00LKR136H
		inch 0,35	0,37			lb 0,22	
LKR20	20-25	mm 14	9,5	CARBON STEEL	GALVANIZED	kg 0,18	K0K00LKR202Z
		inch 0,55	0,37			lb 0,40	
LKR20	20-25	mm 14	9,5	STAINLESS STEEL	-	kg 0,18	K0K00LKR206H
		inch 0,55	0,37			lb 0,40	
LKR32	32-40-50	mm 17	9,5	CARBON STEEL	GALVANIZED	kg 0,34	K0K00LKR322Z
		inch 0,67	0,37			lb 0,75	
LKR32	32-40-50	mm 17	9,5	STAINLESS STEEL	-	kg 0,34	K0K00LKR326H
		inch 0,67	0,37			lb 0,75	
LKR65	65-80	mm 19	9,5	CARBON STEEL	GALVANIZED	kg 0,55	K0K00LKR652Z
		inch 0,75	0,37			lb 1,21	
LKR65	65-80	mm 19	9,5	STAINLESS STEEL	-	kg 0,55	K0K00LKR656H
		inch 0,75	0,37			lb 1,21	
LKR100	100	mm 24	9,5	CARBON STEEL	GALVANIZED	kg 1,08	K0K00LKR1002Z
		inch 0,94	0,37			lb 2,38	
LKR100	100	mm 24	9,5	STAINLESS STEEL	-	kg 1,08	K0K00LKR1006H
		inch 0,94	0,37			lb 2,38	



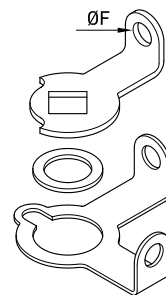
**SECURITY BLOCK FOR GE - GB - GHP - GPK (EXCEPT DN6) - G3/4K**

TYPE	DN	SW	ØF	MATERIAL	TREATMENT	WEIGHT	ITEM CODE
SB6	6-10-13 6 only for G3/4K	mm 9	6,8	CARBON STEEL	GALVANIZED	kg 0,066	K0B00SB61Z
		inch 0,35	0,27			lb 0,15	
SB20	20-25 10-13-20 only for G3/4K	mm 14	9,5	CARBON STEEL	GALVANIZED	kg 0,221	K0B00SB201Z
		inch ,055	0,37			lb 0,49	
SB32	32-40-50 25 only for G3/4K	mm 17	9,5	CARBON STEEL	GALVANIZED	kg 0,24	K0B00SB321Z
		inch 0,67	0,37			lb 0,53	


**LKS FOR SBF - SBF-W**

TYPE	DN	ANSI		SW	ØF	MATERIAL	TREATMENT	WEIGHT	
LK13 - S	13	150-300-600	mm	9	6,5	CARBON STEEL	GALVANIZED	kg	0,03
			inch	0,35	0,26			lb	0,07
LK13 - S	13	150-300-600	mm	9	6,5	STAINLESS STEEL	-	kg	0,03
			inch	0,35	0,26			lb	0,07
LK20 - S 150	20	150	mm	14	6,5	CARBON STEEL	GALVANIZED	kg	0,07
			inch	0,55	0,26			lb	0,15
LK20 - S 150	20	150	mm	14	6,5	STAINLESS STEEL	-	kg	0,07
			inch	0,55	0,26			lb	0,15
LK20 - S	20-25	150 (only for DN25) 300-600	mm	14	6,5	CARBON STEEL	GALVANIZED	kg	0,07
			inch	0,55	0,26			lb	0,15
LK20 - S	20-25	150 (only for DN25) 300-600	mm	14	6,5	STAINLESS STEEL	-	kg	0,07
			inch	0,55	0,26			lb	0,15
LK32 - S	32-40-50	150-300-600	mm	17	6,5	CARBON STEEL	GALVANIZED	kg	0,08
			inch	0,67	0,26			lb	0,18
LK32 - S	32-40-50	150-300-600	mm	17	6,5	STAINLESS STEEL	-	kg	0,08
			inch	0,67	0,26			lb	0,18
LK80 - S	80	150-300-600	mm	19	10	CARBON STEEL	GALVANIZED	kg	0,16
			inch	0,75	0,39			lb	0,35
LK80 - S	80	150-300-600	mm	19	10	STAINLESS STEEL	-	kg	0,16
			inch	0,75	0,39			lb	0,35
LK100 - S	100	150-300-600	mm	24	12	CARBON STEEL	GALVANIZED	kg	0,3
			inch	0,94	0,47			lb	0,66
LK100 - S	100	150-300-600	mm	24	12	STAINLESS STEEL	-	kg	0,3
			inch	0,94	0,47			lb	0,66





## LKF LS (LIMIT SWITCH) FOR GE - GB - GHP - GPK (EXCEPT DN6)

TYPE	DN	SW	ØF	MATERIAL	TREATMENT	WEIGHT	ITEM CODE
LK6-F LS	6-10-13	mm 9	9,5	CARBON STEEL	GALVANIZED	kg 0,019	K11A00207AA000Z
		inch 0,35	0,37			lb 0,04	
LK6-F LS	6-10-13	mm 9	9,5	STAINLESS STEEL	-	kg 0,019	K11A00207AA000H
		inch 0,35	0,37			lb 0,04	
LK20-F LS	20-25	mm 14	9,5	CARBON STEEL	GALVANIZED	kg 0,056	K11A00208AA000Z
		inch 0,55	0,37			lb 0,12	
LK20-F LS	20-25	mm 14	9,5	STAINLESS STEEL	-	kg 0,056	K11A00208AA000H
		inch 0,55	0,37			lb 0,12	
LK32-F LS	32-40-50	mm 17	9,5	CARBON STEEL	GALVANIZED	kg 0,055	K11A00209AA000Z (for GHP)
		inch 0,67	0,37			lb 0,12	K11A00213AA000Z (for GB)
LK32-F LS	32-40-50	mm 17	9,5	STAINLESS STEEL	-	kg 0,055	K11A00209AA000H (for GHP)
		inch 0,67	0,37			lb 0,12	K11A00213AA000H (for GB)

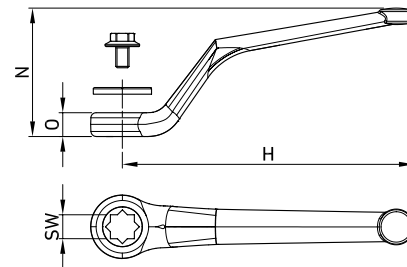


# HANDLES

Edition. 21.3

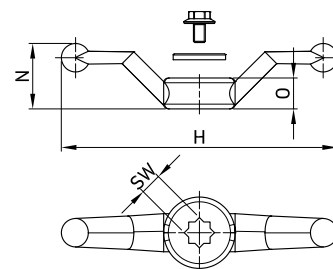
- BENT HANDLES
- BUTTERFLY HANDLES
- CUT STRAIGHT HANDLES
- CUT BENT HANDLES
- PIPE HANDLES
- SHORT HANDLES
- STRAIGHT HANDLES





**BENT HANDLES**

	SW	H	N	O	MATERIAL	TREATMENT	WEIGHT	HANDLE CODE	KIT CODE
mm	9	110	53	9	ZAMAK	CHROMING	kg 0,082	C001010ZC	K0L0011ZZ
inch	0,35	4,33	2,09	0,35			lb 0,18		
mm	9	110	53	9	CARBON STEEL	GALVANIZED	kg 0,097	C001010ZZ	K0L0011ZZ
inch	0,35	4,33	2,09	0,35			lb 0,21		
mm	9	110	53	9	STAINLESS STEEL	-	kg 0,098	C0010104H	K0L00116H
inch	0,35	4,33	2,09	0,35			lb 0,22		
mm	14	180	48	13	ZAMAK	CHROMING	kg 0,18	C008550ZC	K0L0016ZZ
inch	0,55	7,09	1,89	0,51			lb 0,40		
mm	14	180	48	14	CARBON STEEL	GALVANIZED	kg 0,248	C006920ZZ	K0L0015ZZ
inch	0,55	7,09	1,89	0,55			lb 0,55		
mm	14	180	48	14	STAINLESS STEEL	-	kg 0,257	C0069204H	K0L00156H
inch	0,55	7,09	1,89	0,55			lb 0,57		
mm	17	200	60	13	CARBON STEEL	GALVANIZED	kg 0,36	C050550ZZ	K06A0019902000Z
inch	0,67	7,87	2,36	0,51			lb 0,79		
mm	17	300	71	14	CARBON STEEL	GALVANIZED	kg 0,662	C009250ZZ	KBL0013ZZ
inch	0,67	11,81	2,80	0,55			lb 1,46		
mm	17	300	71	14	STAINLESS STEEL	-	kg 0,675	C0092504H	KBL00136H
inch	0,67	11,81	2,80	0,55			lb 1,49		

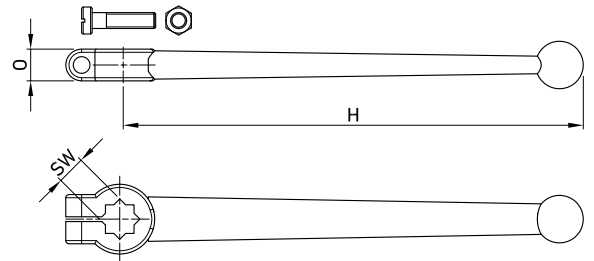


**BUTTERFLY HANDLES**

	SW	H	N	O	MATERIAL	TREATMENT	WEIGHT	HANDLE CODE	KIT CODE
mm	9	116	27,5	13	ZAMAK	GALVANIZED	kg 0,107	C010740ZZ	K0L0018ZZ
inch	0,35	4,57	1,08	0,51			lb 0,24		
mm	14	116	27,5	13	ZAMAK	GALVANIZED	kg 0,097	C010750ZZ	K0L0019ZZ
inch	0,55	4,57	1,08	0,51			lb 0,21		

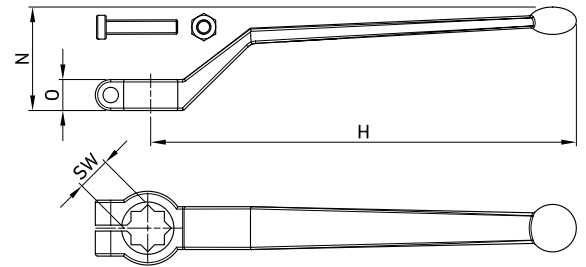
# HANDLES

## KITS



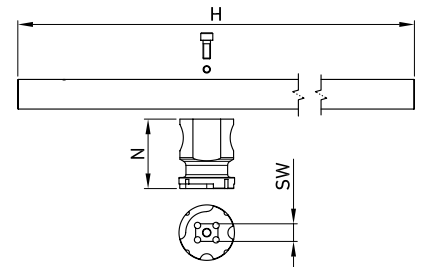
### CUT STRAIGHT HANDLES

	SW	H	N	O	MATERIAL	TREATMENT	WEIGHT		HANDLE CODE	KIT CODE
mm	9	145	-	10	ZAMAK	CHROMING	kg	0,042	C000020ZC	KEL006ZZ
inch	0,35	5,71	-	0,39			lb	0,09		



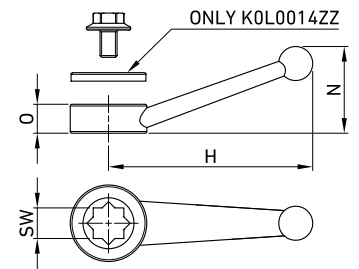
### CUT BENT HANDLES

	SW	H	N	O	MATERIAL	TREATMENT	WEIGHT		HANDLE CODE	KIT CODE
mm	14	180	43	13	ZAMAK	CHROMING	kg	0,195	C001200ZC	KEL007ZZ
inch	0,55	7,09	1,69	0,51			lb	0,43		



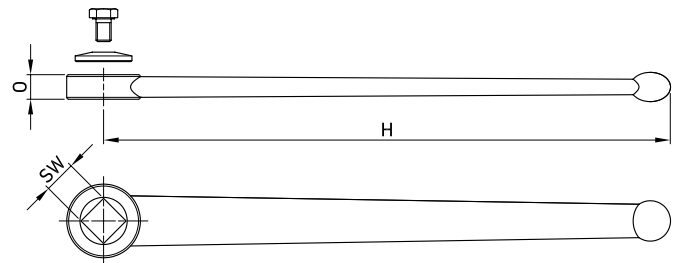
### PIPE HANDLES

	SW	H	N	O	MATERIAL	TREATMENT	WEIGHT		HANDLE CODE	KIT CODE
mm	19	650	75	-	CARBON STEEL	GALVANIZED	kg	2,112	C001250Z2	KOL00202Z
inch	0,75	25,59	2,95	-			lb	4,66		
mm	19	650	75	-	STAINLESS STEEL	-	kg	2,312	C0012504H	KOL00206H
inch	0,75	25,59	2,95	-			lb	5,10		
mm	24	650	79	-	CARBON STEEL	GALVANIZED	kg	3,912	C001250Z2	KOL00212Z
inch	0,94	25,59	3,11	-			lb	8,62		



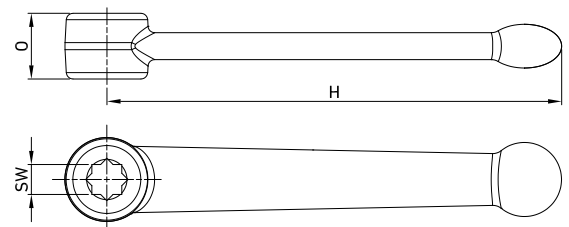
**SHORT HANDLES**

	SW	H	N	O	MATERIAL	TREATMENT	WEIGHT	HANDLE CODE	KIT CODE	
mm	6	60	25,5	8,5	ZAMAK	RED PAINTED	kg	0,024	C001490ZV	K1LT117ZV
inch	0,24	2,36	1,00	0,33			lb	0,05		
mm	9	60	25,5	8,5	ZAMAK	GALVANIZED	kg	0,022	C009490ZC	K0L0014ZZ
inch	0,35	2,36	1,00	0,33			lb	0,05		



**STRAIGHT HANDLES**

	SW	H	N	O	MATERIAL	TREATMENT	WEIGHT	HANDLE CODE	KIT CODE	
mm	17	300	-	13	CARBON STEEL	GALVANIZED	kg	0,457	C008130ZZ	K0L0012ZZ
inch	0,67	11,81	-	0,51			lb	1,01		
mm	17	300	-	13	STAINLESS STEEL	-	kg	0,467	C0081306H	K0L00126H
inch	0,67	11,81	-	0,51			lb	1,03		



**TANDEM HANDLES**

	SW	H	N	O	MATERIAL	TREATMENT	WEIGHT	HANDLE CODE	KIT CODE	
mm	9	135	-	19,5	CARBON STEEL	GALVANIZED	kg	0,174	C0631602I	K06A00211A020Z
inch	0,35	5,31	-	0,77			lb	0,38		
mm	9	135	-	19,5	STAINLESS STEEL	-	kg	0,174	C0631604H	K06A00211A230H
inch	0,35	5,31	-	0,77			lb	0,38		



# ACTUATORS

Edition. 21.5

## PNEUMATIC



ULTRA COMPACT SCOTCH-YOKE  
PNEUMATIC ACTUATORS DA

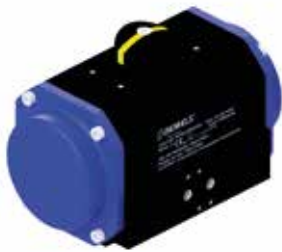


ULTRA COMPACT SCOTCH-YOKE  
PNEUMATIC ACTUATORS SR

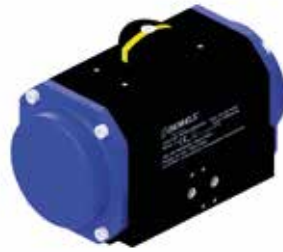


PNEUMATIC

ELECTRIC



■ RACK&PINION  
PNEUMATIC  
ACTUATORS DA



■ RACK&PINION  
PNEUMATIC  
ACTUATORS SR



■ J4C ELECTRIC  
ACTUATOR from  
DN6 up to DN25



■ J4C ELECTRIC  
ACTUATOR from  
DN32 up to DN50

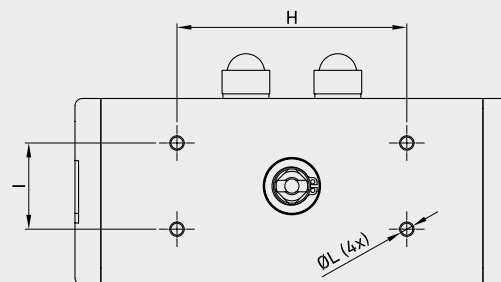
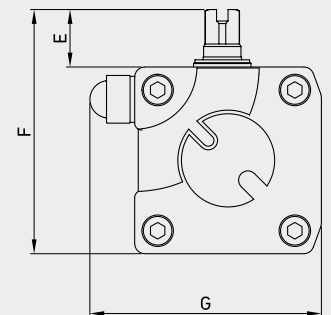
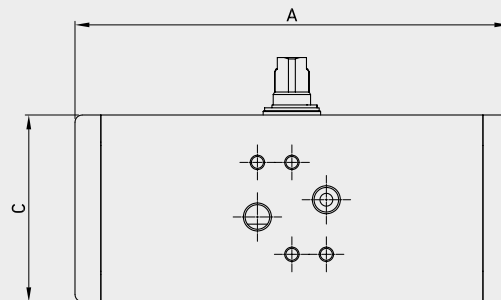
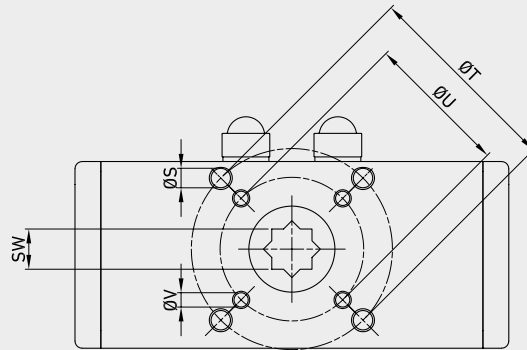


**ULTRA COMPACT SCOTCH-YOKE PNEUMATIC ACTUATORS DA**

- Port "A" Air to open (anti clockwise)
- Port "B" Air to close (clockwise)
- Air supply: 6 bar; maximum 8 bar
- Drive Medium = Air (Dry or lubricated); not corrosive Gas; light hydraulic oil
- Temperature = -50° to 160°C or -58 to 320° F
- Standard indicator position

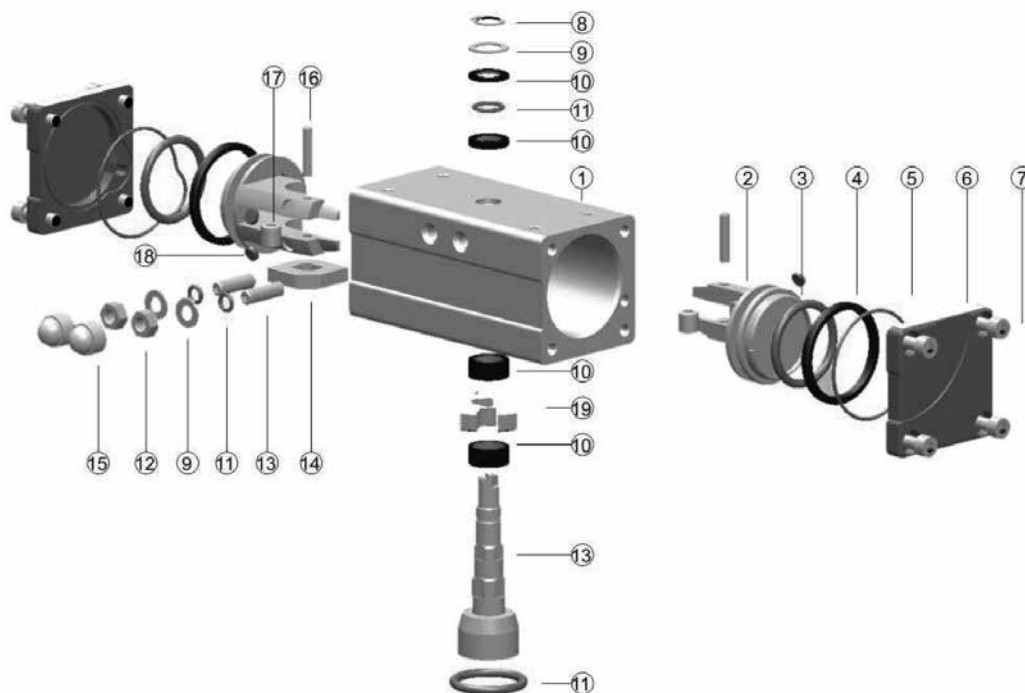
- ATEX certification

**HIGH CYCLICITY**





ULTRA COMPACT SCOTCH-YOKE ACTUATORS



REF NO	DESCRIPTION	QTY	MATERIAL STD UNIT	COMMENTS
1	Cylinder Body	1	Aluminium	
2	Piston	2	Aluminium	
3	O-ring piston	2	Buna Nitrile	Alt. VITON/Silikone
4	Glide band piston	2	PTFE Carbon	
5	Sealing end caps	2	Buna Nitrile	Alt. VITON/Silikone
6	End caps epoxy	2	Aluminium	
7	Screw end caps	8	DIN921 1.4301	Alt. AISI 304-A2
8	Retaining ring	1	DIN471 1.4301	Alt. AISI 304-A2
9	Shim ring	1	DIN988 1.4301	Alt. AISI 304-A2
10	Glide and distance rings	4	PTFE Carbon	
11	O-rings	2	Buna Nitrile	Alt. VITON/Silikone
12	Hexagon nuts	2	DIN934 1.4301	Alt. AISI 304-A2
13	Hexagon socket set screws	2	ISO4026 1.4301	Alt. AISI 304-A2
14	Travel stop disc	1	C10	
15	Protective cap for nut	2	LLD-PE	
16	Parallel pin	2	DIN6325 Steel	
17	Press fit bushes	2	DIN179 Steel	
18	Glide support piston	2	PTFE Carbon	
19	Crank	1	C10	

**TORQUES (NM) ACTUATOR DOUBLE ACTING**

		AIR SUPPLY						
MODEL	Mpa	0,3	0,4	0,5	0,56	0,6	0,7	0,8
JDA 13	PSI	43,5	58	72,5	81,2	87	101,5	116
	Nm	6,4	8,5	10,6	11,9	12,8	14,9	17
	lbf-ft	4,72	6,27	7,82	8,78	9,44	10,99	12,54
JDA 35	Nm	17,8	23,7	29,7	33,2	35,6	41,6	47,5
	lbf-ft	13,13	17,48	21,91	24,49	26,26	30,68	35,03
JDA 75	Nm	38	50,7	63,4	71	76,1	88,8	101,5
	lbf-ft	28,03	37,39	46,76	52,37	56,13	65,50	74,86
JDA 135	Nm	67,7	90,3	112,9	126,5	135,5	158,1	180,7
	lbf-ft	49,93	66,60	83,27	93,30	99,94	116,61	133,28
JDA 520	Nm	259,4	345,9	432,4	484,2	518,8	605,3	691,8
	lbf-ft	191,32	255,12	318,92	357,13	382,65	446,45	510,24

**MAXIMUM OPERATING TIME PER SECOND (0.55 MPAG / 80 PSIG)**

Actuator Size	JDA13	JDA35	JDA75	JDA135	JDA520
DA open	<1	<1	<1	<1	<1
DA close	<1	<1	<1	<1	<1
SR open	<1	<1	<1	<1	<1
SR close	<1	<1	<1	<1	<1

**AIR CONSUMPTION PER STROKE**

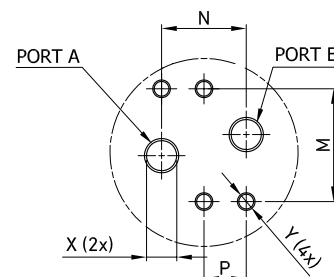
Actuator Size	JDA13	JDA35	JDA75	JDA135	JDA520
Port 'A' to open (liters)	0,03	0,14	0,28	0,55	1,75
Port 'B' to close (liters)	0,03	0,14	0,28	0,55	1,75
Port 'A' to open (cubic inch)	1,8	8,5	17,1	33,6	106,8
Port 'B' to close (cubic inch)	1,8	8,5	17,1	33,6	106,8

### DA ACTUATORS (DOUBLE ACTING)

TYPE	ISO5211	A	C	E	F	G	M	N	ØS	T	ØV	U	X	Y	SW	H	I	L	WEIGHT	ITEM CODE		
JDA13	F03	mm	76	45	20	65	55	32	24	M5	36	-	-	G1/8	M5X8	9	50	25	M5x6	kg	0,29	FATAAJDA013AA0H
		inch	2,99	1,77	0,79	2,56	2,17	1,26	0,94		1,42	-	-			0,35	1,97	0,98		lb	0,64	
JDA35	F03/F05	mm	122	52	20	72	65	32	24	M6	50	M5	36	G1/8	M5X8	11	80	30	M5x6	kg	0,75	FATAAJDA035AA0H
		inch	4,80	2,05	0,79	2,83	2,56	1,26	0,94		1,97	1,42	0,43			3,15	1,18	lb		1,65		
JDA75	F05/F07	mm	151	65	20	85	81	32	24	M8	70	M6	50	G1/8	M5X8	14	80	30	M5x6	kg	1,32	FATAAJDA075AA0H
		inch	5,94	2,56	0,79	3,35	3,19	1,26	0,94		2,76	1,97	0,55			3,15	1,18	lb		2,91		
JDA135	F05/F07	mm	198	80	20	100	96	32	24	M8	70	M6	50	G1/8	M5X8	17	80	30	M5x6	kg	2,5	FATAAJDA135AA0H
		inch	7,80	3,15	0,79	3,94	3,78	1,26	0,94		2,76	1,97	0,67			3,15	1,18	lb		5,51		
JDA520	F07/F10	mm	270	110	20	130	130,5	32	24	M10	102	M8	70	G1/8	M5X8	22	80	30	M5x6	kg	6,25	FATAAJDA520AA0H
		inch	10,63	4,33	0,79	5,12	5,14	1,26	0,94		4,02	2,76	0,87			3,15	1,18	lb		13,78		

### TORQUES (NM) ACTUATOR DOUBLE ACTING

TYPE	AIR SUPPLY		Nm	lbf-ft
	MPa	0,6		
JDA13	Psi	87	12,8	9,44
	MPa	0,6		
JDA35	Psi	87	35,6	26,26
	MPa	0,6		
JDA75	Psi	87	76,1	56,13
	MPa	0,6		
JDA135	Psi	87	135,5	99,94
	MPa	0,6		
JDA520	Psi	87	518,8	382,65
	MPa	0,6		

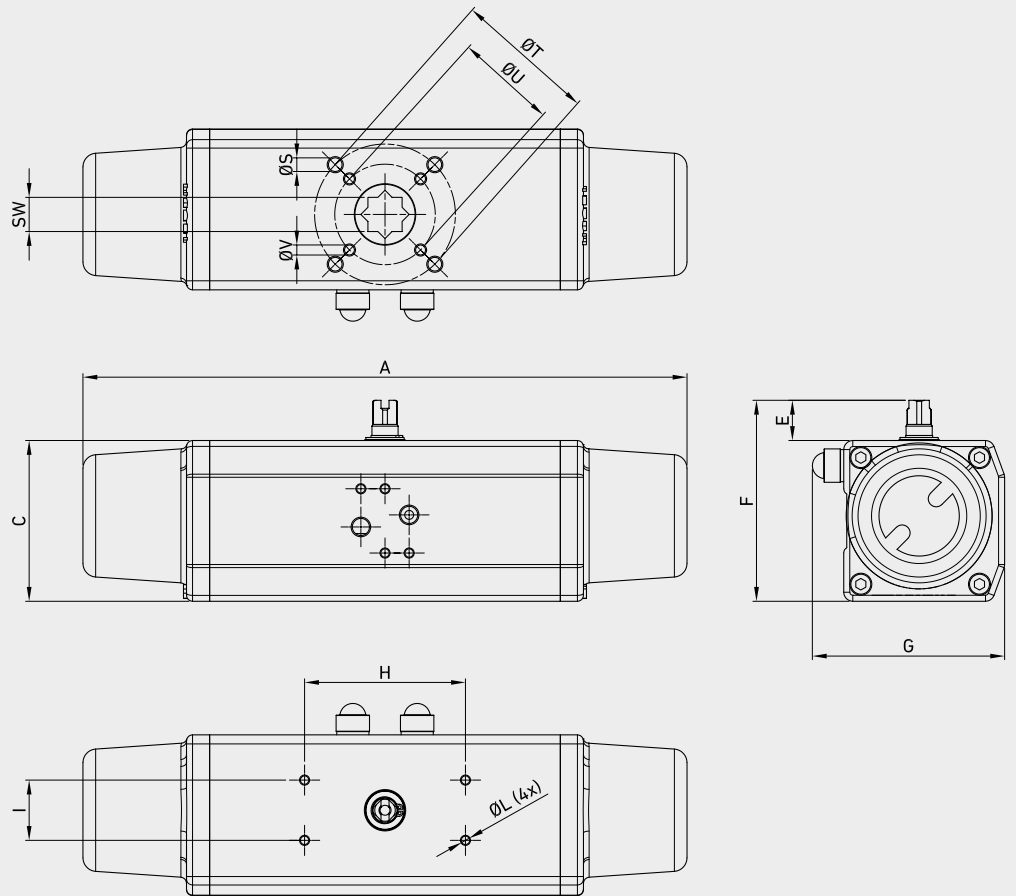




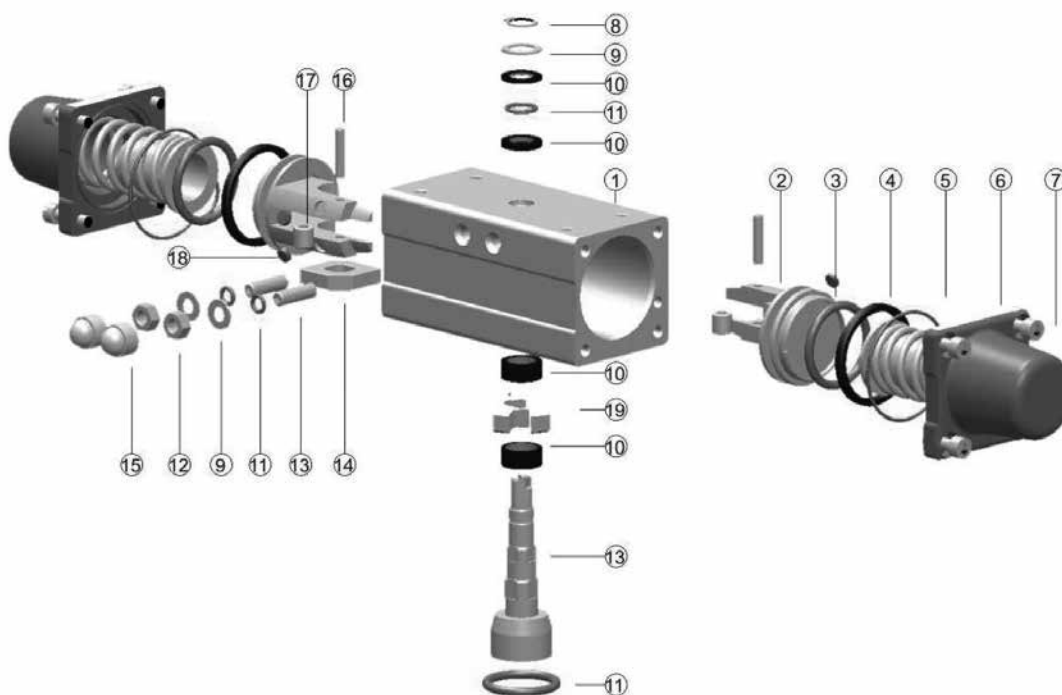
**ULTRA COMPACT SCOTCH-YOKE PNEUMATIC ACTUATORS SR**

- Port "A" Air to open (anti clockwise)
- Port "B" Air to close (clockwise)
- Air supply: 6 bar; maximum 8 bar
- Drive Medium = Air (Dry or lubricated); not corrosive Gas; light hydraulic oil
- Temperature= -50° to 160°C or -58 to 320° F
- Standard indicator position

- ATEX certification



ULTRA COMPACT SCOTCH-YOKE ACTUATORS



REF NO	DESCRIPTION	QTY	MATERIAL STD UNIT	COMMENTS
1	Cylinder Body	1	Aluminium	
2	Piston	2	Aluminium	
3	O-ring piston	2	Buna Nitrile	Alt. VITON/Silikone
4	Glide band piston	2	PTFE Carbon	
5	Sealing end caps	2	Buna Nitrile	Alt. VITON/Silikone
6	End caps epoxy	2	Aluminium	
7	Screw end caps	8	DIN921 1.4301	Alt. AISI 304-A2
8	Retaining ring	1	DIN471 1.4301	Alt. AISI 304-A2
9	Shim ring	1	DIN988 1.4301	Alt. AISI 304-A2
10	Glide and distance rings	4	PTFE Carbon	
11	O-rings	2	Buna Nitrile	Alt. VITON/Silikone
12	Hexagon nuts	2	DIN934 1.4301	Alt. AISI 304-A2
13	Hexagon socket set screws	2	ISO4026 1.4301	Alt. AISI 304-A2
14	Travel stop disc	1	C10	
15	Protective cap for nut	2	LLD-PE	
16	Parallel pin	2	DIN6325 Steel	
17	Press fit bushes	2	DIN179 Steel	
18	Glide support piston	2	PTFE Carbon	
19	Crank	1	C10	

**TORQUES (NM) ACTUATOR SPRING RETURN**

		AIR SUPPLY						
MODEL	Mpa	0,3	0,4	0,5	0,55	0,6	0,7	0,8
	PSI	43,5	58	72,5	79,75	87	101,5	116
JSR 20	Nm	-	-	-	-	21,6	-	-
	lbf-ft	-	-	-	-	15,93	-	-
JSR 42	Nm	-	-	-	-	42	-	-
	lbf-ft	-	-	-	-	30,98	-	-
JSR 84	Nm	-	-	-	-	84	-	-
	lbf-ft	-	-	-	-	61,96	-	-
JSR 240	Nm	-	-	-	-	240	-	-
	lbf-ft	-	-	-	-	177,01	-	-

**MAXIMUM OPERATING TIME PER SECOND (0.55 MPAG / 80 PSIG)**

Actuator Size	JSR20	JSR42	JSR84	JSR240
DA open	<1	<1	<1	<1
DA close	<1	<1	<1	<1
SR open	<1	<1	<1	<1
SR close	<1	<1	<1	<1

**AIR CONSUMPTION PER STROKE**

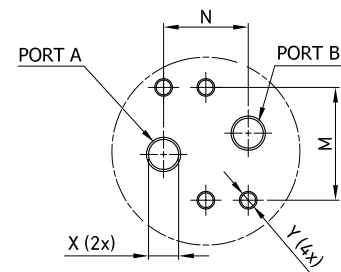
Actuator Size	JSR20	JSR42	JSR84	JSR240
Port 'A' to open (liters)	0,08	0,28	0,32	1
Port 'B' to close (liters)	0,08	0,28	0,32	1
Port 'A' to open (cubic inch)	4,9	17,1	19,5	61,0
Port 'B' to close (cubic inch)	4,9	17,1	19,5	61,0

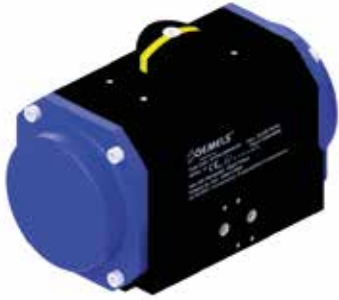
### SR ACTUATORS (SPRING RETURN)

TYPE	ISO5211	A	C	E	F	G	M	N	ØS	T	ØV	U	X	Y	SW	H	I	L	WEIGHT	ITEM CODE		
JSR20	F03/F05	mm	195	52	20	72	63,5	32	24	M6	50	M5	36	G1/8	M5X8	11	50	25	M5x6	kg	0,85	FATAAJSR020AA0H
		inch	7,68	2,05	0,79	2,83	2,50	1,26	0,94		1,97		1,42			0,43	1,97	0,98		14	80	
JSR42	F05/F07	mm	231	65	20	85	82	32	24	M8	70	M6	50	G1/8	M5X8	14	80	30	M5x6	kg	1,325	FATAAJSR042AA0H
		inch	9,09	2,56	0,79	3,35	3,23	1,26	0,94		2,76		1,97			0,55	3,15	1,18		0,67	3,15	
JSR84	F05/F07	mm	300	80	20	100	96	32	24	M8	70	M6	50	G1/8	M5X8	17	80	30	M5x6	kg	3,25	FATAAJSR084AA0H
		inch	11,81	3,15	0,79	3,94	3,78	1,26	0,94		2,76		1,97			0,67	3,15	1,18		0,87	3,15	
JSR240	F07/F10	mm	410	110	20	130	130,5	32	24	M10	102	M8	70	G1/8	M5X8	22	80	30	M5x6	kg	7,15	FATAAJSR240AA0H
		inch	16,14	4,33	0,79	5,12	5,14	1,26	0,94		4,02		2,76			0,87	3,15	1,18		0,87	3,15	

### TORQUES (NM) ACTUATOR SPRING RETURN

TYPE	AIR SUPPLY		Nm	lbf-ft
	MPa	0,6		
JSR20	Psi	87	21,6	15,93
	MPa	0,6		
JSR42	Psi	87	42	30,98
	MPa	0,6		
JSR84	Psi	87	84	61,96
	MPa	0,6		
JSR240	Psi	87	240	177,01
	MPa	0,6		





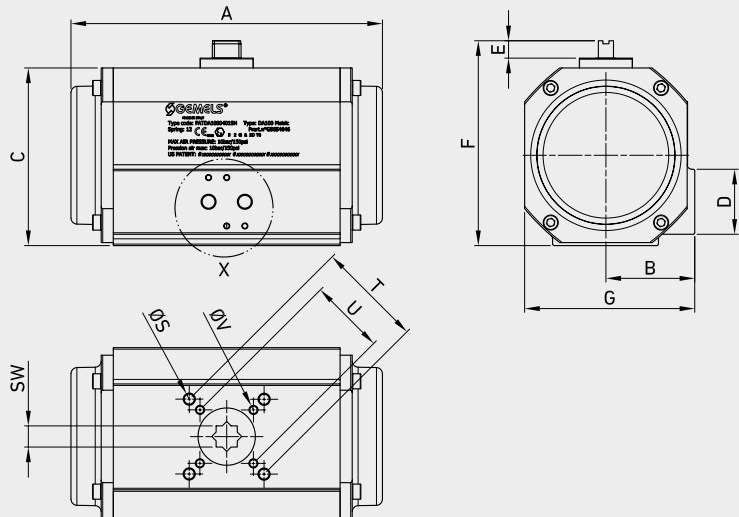
Edition. 21.5



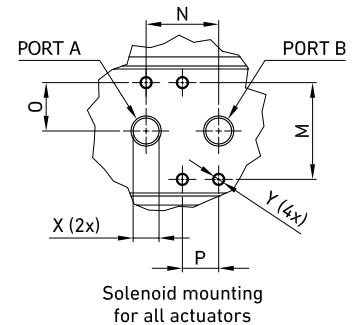
**RACK&PINION  
PNEUMATIC  
ACTUATORS DA**

- Port "A" Air to open (anti clockwise)
- Port "B" Air to close (clockwise)
- Air supply: 6 bar; maximum 7 bar
- Drive Medium = Air (Dry or lubricated); not corrosive Gas; light hydraulic oil
- Temperature= Buna nitrile o'seals -40° to 80°C or -40 to 176° F
- Standard indicator position
- Basic Operating Details

- ATEX certification



TYPE	AIR SUPPLY	Nm	lbf-ft
DA25	MPa 0,6	23,7	17,48
	Psi 87		
DA40	MPa 0,6	41,6	30,68
	Psi 87		
DA100	MPa 0,6	101,5	74,86
	Psi 87		
DA200	MPa 0,6	201,9	148,91
	Psi 87		
DA375	MPa 0,6	374	275,85
	Psi 87		
DA825	MPa 0,6	824	607,75
	Psi 87		



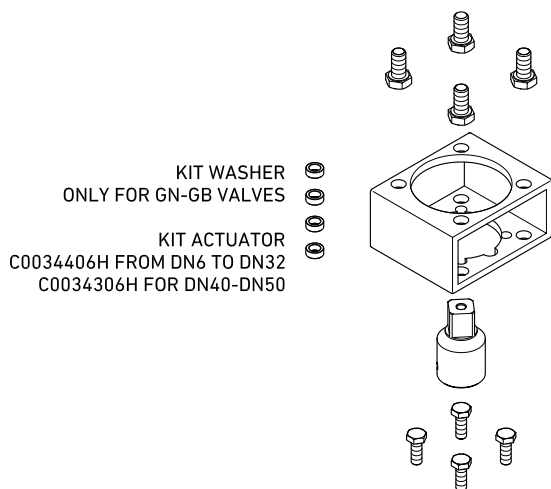


## DA ACTUATORS (double acting)

TYPE	ISO5211	A	B	C	D	E	F	G	M	N	O	P	ØS	T	ØV	U	X	Y	SW	WEIGHT	ITEM CODE	
DA25	F03-F05	mm	160	38	70	40	20	90	69,5	32	24	16	12	M6	50	M5	36	G1/8	M5X8	9	kg 1	FATDA0250401SH
		inch	6,30	1,50	2,76	1,57	0,79	3,54	2,74	1,26	0,94	0,63	0,47		1,97		1,42	x 12		0,35	lb 2,20	
DA40	F05	mm	138,5	47,5	90,5	41	20	110,5	87,5	32	24	16	12	-	-	M6	50	G1/8	M5X8	11	kg 1,8	FATDA0400401SH
		inch	5,45	1,87	3,56	1,61	0,79	4,35	3,44	1,26	0,94	0,63	0,47				1,97	x 12		0,43	lb 3,97	
DA100	F05-F07	mm	222,5	59	118	43	20	138	113	32	24	16	12	M8	70	M6	50	G1/8	M5X8	14	kg 2,8	FATDA1000401SH
		inch	8,76	2,32	4,65	1,69	0,79	5,43	4,45	1,26	0,94	0,63	0,47		2,76		1,97	x 12		0,55	lb 6,17	
DA200	F05-F07	mm	238	72	140,5	43	20	160,5	136,5	32	24	16	12	M8	70	M6	50	G1/4	M5X8	17	kg 7	FATDA2000401SH
		inch	9,37	2,83	5,53	1,69	0,79	6,32	5,37	1,26	0,94	0,63	0,47		2,76		1,97	x 12		0,67	lb 15,43	
DA375	F07-F10	mm	286	78	166,5	43	30	196,5	156	32	24	16	12	M10	102	M8	70	G1/4	M5X8	22	kg 10,5	FATDA3750401SH
		inch	11,26	3,07	6,56	1,69	1,18	7,74	6,14	1,26	0,94	0,63	0,47		4,02		2,76	x 12		0,87	lb 23,15	
DA825	F10-F12	mm	360	95,5	207,5	43	30	237,5	191	32	24	16	12	M12	125	M10	102	G1/4	M5X8	27	kg 22,4	FATDA8250401SH
		inch	14,17	3,76	8,17	1,69	1,18	9,35	7,52	1,26	0,94	0,63	0,47		4,92		4,02	x 12		1,06	lb 49,38	

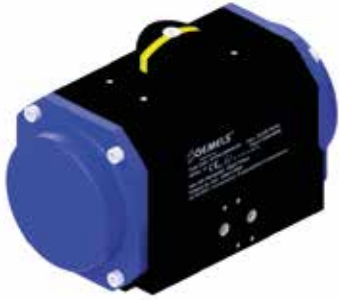
## DA ACTUATORS KITS

TYPE	BALL VALVES	DN	MATERIAL	ISO5211	WEIGHT	ITEM CODE
AK6	GE-GHP-GR-SB	06-10-13	CARBON STEEL	F03-F05	kg 0,25	K0C00AK61X
					lb 0,55	
AK6S	GN	06-10	CARBON STEEL	F03 F05-F03 F05	kg 0,30	K0C00AK6S1X
					lb 0,66	
AK6S2	GM1-GN	06-10-13	CARBON STEEL	F03-F05	kg 0,25	K01A00194AAA0H
					lb 0,55	
AK13	GE-GHP-GR	13	CARBON STEEL	F03 F05-F03 F05	kg 0,31	K0C00AK131X
					lb 0,68	
AK20	GE-GB-GHP GN-GR-SB	20-25	CARBON STEEL	F05 F07-F05	kg 0,52	K0C00AK201X
					lb 1,15	
AK32	SB	32-40	CARBON STEEL	F05 F07-F05	kg 0,60	K0C00AK321X
					lb 1,32	
AK40	GB-GHP-G GR-SB	32-40	CARBON STEEL	F05 F07-F05	kg 0,67	K0C00AK401X
					lb 1,48	
AK50	GB-GHP-GN GR-SB	50	CARBON STEEL	F05 F07-F05	kg 0,71	K0C00AK501X
					lb 1,57	
AK65	SB	65-80	CARBON STEEL	F05 F07-F05	kg 0,74	K0C00AK651X
					lb 1,63	
AK100	GR-SB	100-125	CARBON STEEL	F10 F12-F12	kg 2,05	K0C00AK1001X
					lb 4,52	



ACTUATORS

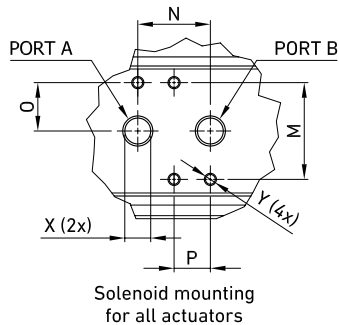
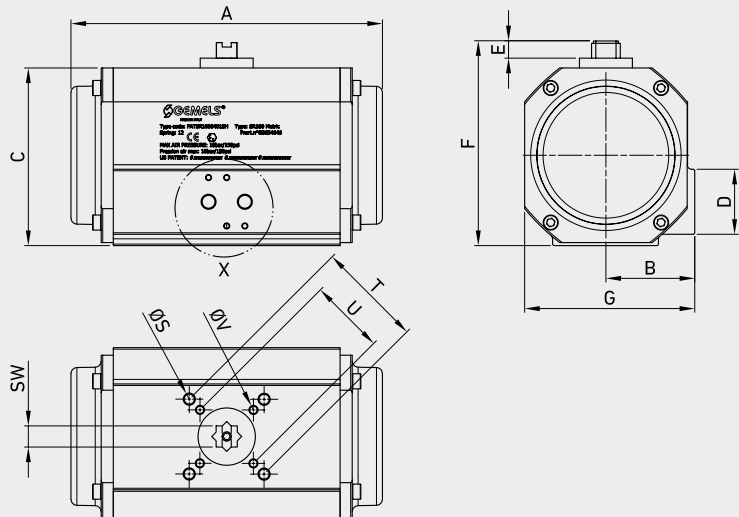
KITS



**RACK&PINION PNEUMATIC ACTUATORS SR**

- Port "A" Air to open (anti clockwise)
- Port "B" Air to close (clockwise)
- Air supply: 6 bar; maximum 7 bar
- Drive Medium = Air (Dry or lubricated); not corrosive Gas; light hydraulic oil
- Temperature= Buna nitrile o'seals -40° to 80°C or -40 to 176° F
- Standard indicator position

- ATEX certification



Solenoid mounting for all actuators

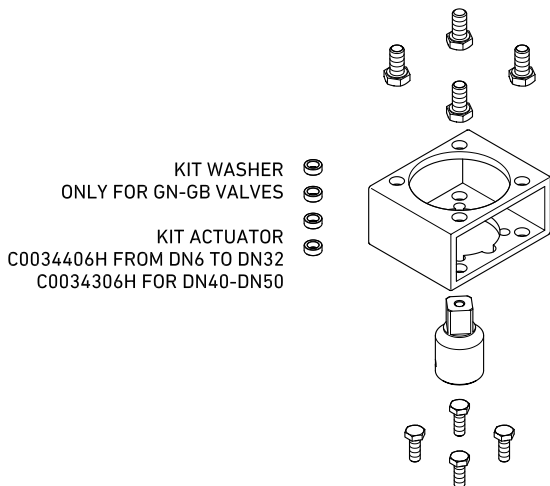
TYPE	AIR SUPPLY		AIR-START		AIR-END		SPRING-START		SPRING-END		N°SPRING
			Nm	lbf-ft	Nm	lbf-ft	Nm	lbf-ft	Nm	lbf-ft	
SR35/(18)	MPa	0,6	32,7	24,12	18,1	13,35	32,64	24,07	18	13,28	12
	Psi	87									
SR60/(40)	MPa	0,6	61,4	45,29	40,1	29,58	61,3	45,21	40	29,50	12
	Psi	87									
SR130/(72)	MPa	0,6	130,33	96,13	71,73	52,91	130,2	96,03	71,6	52,81	4X4
	Psi	87									
SR240/(132)	MPa	0,6	241,54	178,15	132,98	98,08	241,2	177,90	132,64	97,83	4X4
	Psi	87									
SR385/(210)	MPa	0,6	385,2	284,11	212,1	156,44	384,6	283,67	211,5	155,99	4X4
	Psi	87									
SR530/(290)	MPa	0,6	533	393,12	294	216,84	531	391,64	292	215,37	4X4
	Psi	87									

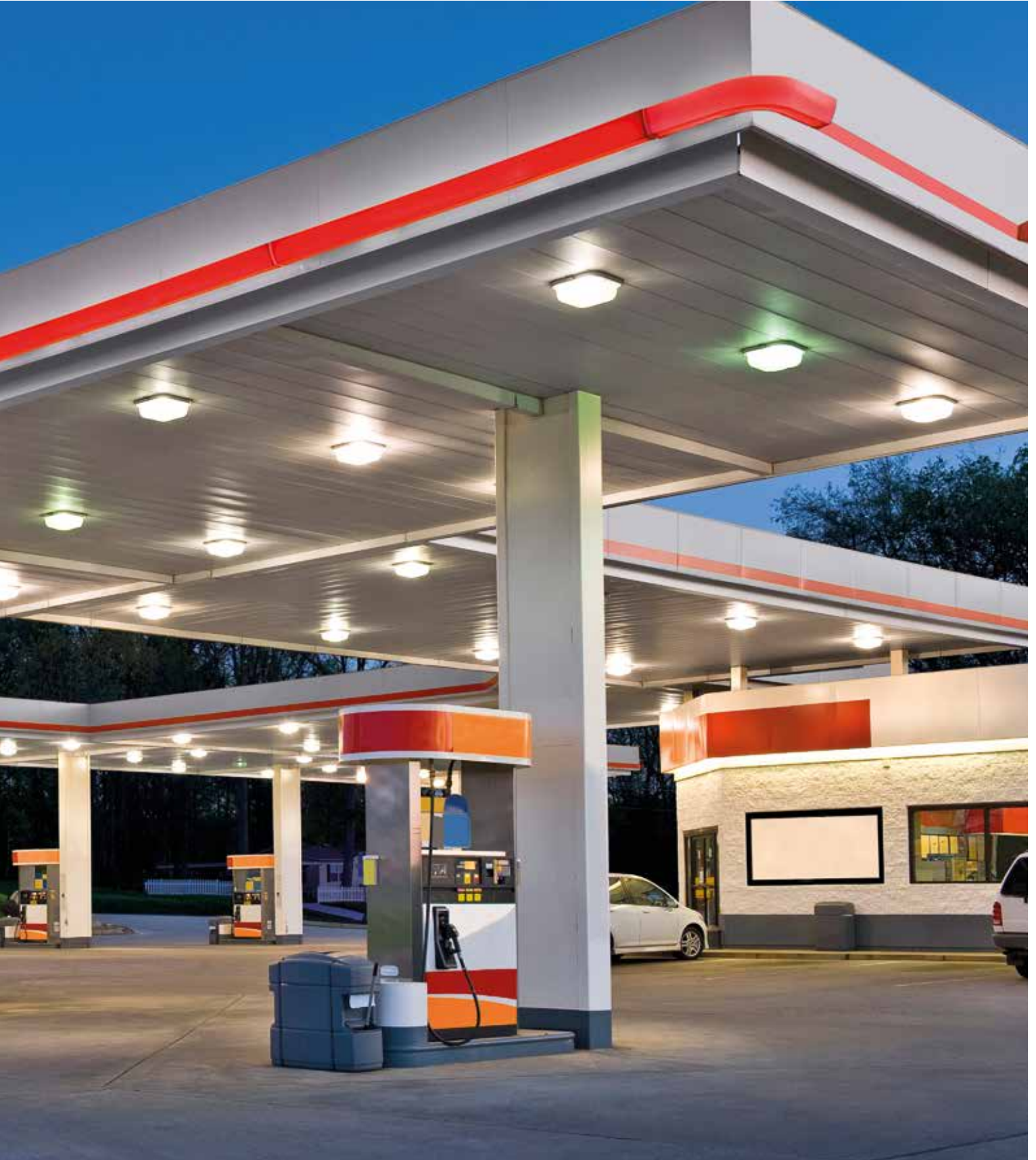
SR ACTUATORS (SPRING RETURN)

TYPE	ISO5211	A	B	C	D	E	F	G	M	N	O	P	ØS	T	ØV	U	X	Y	SW	WEIGHT	ITEM CODE	
SR35/(18)	F05-F07	mm	203	49	87	40	20	107	90,5	32	24	16	12	M8	70	M6	50	G1/8x12	M5x8	11	kg 1,9	FATSR0500401SH
		inch	7,99	1,93	3,43	1,57	0,79	4,21	3,56	1,26	0,94	0,63	0,47		2,76		1,97			0,43	lb 4,19	
SR60/(40)	F05-F07	mm	222,5	59	118	43	20	138	113	32	24	16	12	M8	70	M6	50	G1/8x12	M5x8	14	kg 2,8	FATSR1000401SH
		inch	8,76	2,32	4,65	1,69	0,79	5,43	4,45	1,26	0,94	0,63	0,47				2,76			1,97	0,55 lb	
SR130/(72)	F07-F10	mm	238	72	140,5	43	20	160,5	136,5	32	24	16	12	M8	102	M6	70	G1/4x12	M5x8	17	kg 7	FATSR2000401SH
		inch	9,37	2,83	5,53	1,69	0,79	6,32	5,37	1,26	0,94	0,63	0,47		4,02		2,76			0,67	lb 15,43	
SR240/(132)	F07-F10	mm	286	78	166,5	43	30	196,5	156	32	24	16	12	M10	102	M8	70	G1/4x12	M5x8	22	kg 10,5	FATSR3750401SH
		inch	11,26	3,07	6,56	1,69	1,18	7,74	6,14	1,26	0,94	0,63	0,47		4,02		2,76			0,87	lb 23,15	
SR385/(210)	F10-F12	mm	334	95,5	207,5	43	30	237,5	191	32	24	16	12	M12	125	M10	102	G1/4x12	M5x8	27	kg 20,6	FATSR6000401SH
		inch	13,15	3,76	8,17	1,69	1,18	9,35	7,52	1,26	0,94	0,63	0,47		4,92		4,02			1,06	lb 45,42	
SR530/(290)	F10-FL2	mm	360	95,5	207,5	43	30	237,5	191	32	24	16	12	M12	125	M10	102	G1/4x12	M5x8	27	kg 22,4	FATSR8250401SH
		inch	14,17	3,76	8,17	1,69	1,18	9,35	7,52	1,26	0,94	0,63	0,47		4,92		4,02			1,06	lb 49,38	

SR ACTUATORS KITS

TYPE	BALL VALVES	DN	MATERIAL	ISO5211	WEIGHT	ITEM CODE
AK6	GE-GHP-GR-SB	06-10-13	CARBON STEEL	F03-F05	kg 0,25	K0C00AK61X
					lb 0,55	
AK6S	GN	06-10	CARBON STEEL	F03 F05-F03 F05	kg 0,30	K0C00AK6S1X
					lb 0,66	
AK6S2	GM1-GN	06-10-13	CARBON STEEL	F03-F05	kg 0,25	K01A00194AAA0H
					lb 0,55	
AK13	GE-GHP-GR	13	CARBON STEEL	F03 F05-F03 F05	kg 0,31	K0C00AK131X
					lb 0,68	
AK20	GE-GB-GHP GN-GR-SB	20-25	CARBON STEEL	F05 F07-F05	kg 0,52	K0C00AK201X
					lb 1,15	
AK32	SB	32-40	CARBON STEEL	F05 F07-F05	kg 0,60	K0C00AK321X
					lb 1,32	
AK40	GB-GHP-G GR-SB	32-40	CARBON STEEL	F05 F07-F05	kg 0,67	K0C00AK401X
					lb 1,48	
AK50	GB-GHP-GN GR-SB	50	CARBON STEEL	F05 F07-F05	kg 0,71	K0C00AK501X
					lb 1,57	
AK65	SB	65-80	CARBON STEEL	F05 F07-F05	kg 0,74	K0C00AK651X
					lb 1,63	
AK100	GR-SB	100-125	CARBON STEEL	F10 F12-F12	kg 2,05	K0C00AK1001X
					lb 4,52	





## INTRODUCTION

### STANDARDS

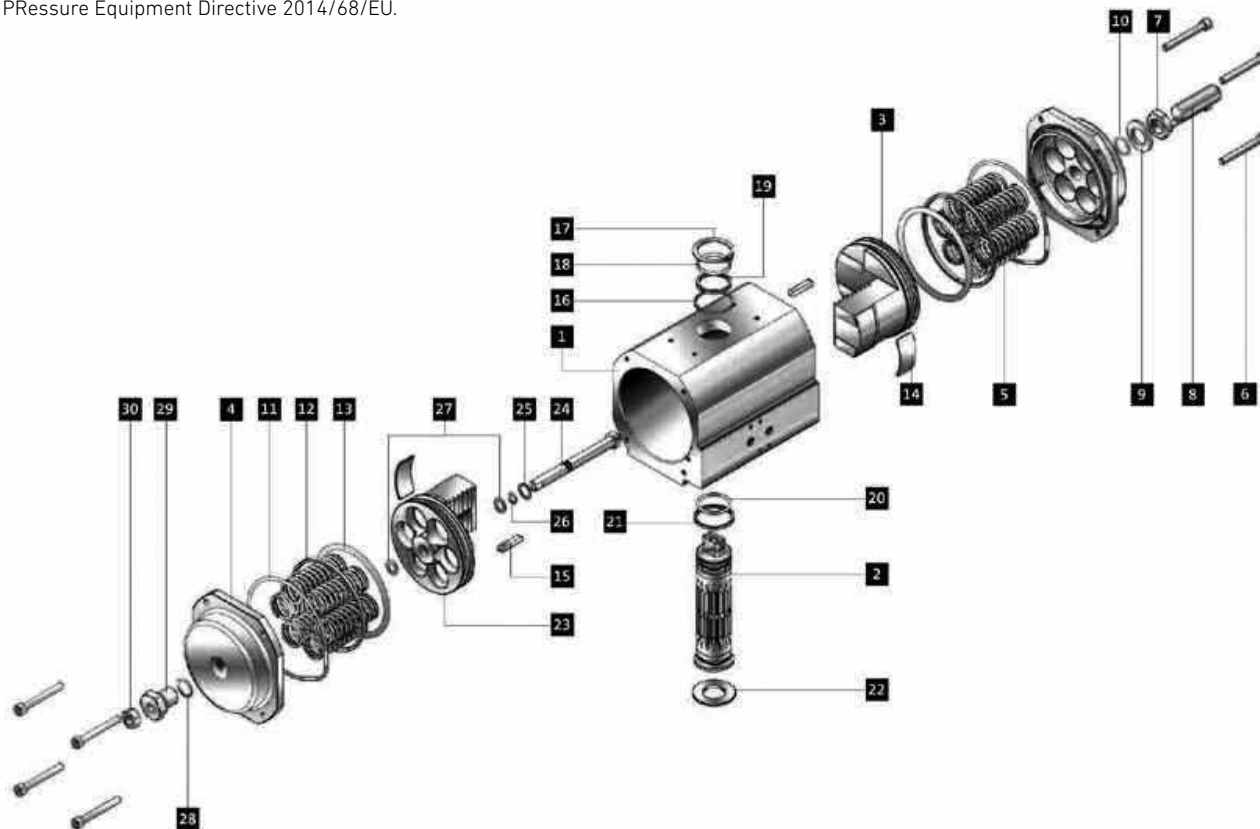
Gemels actuators are designed and in compliance with the following standards:

**ISO5211:** Orientation of actuator to valve mounting flange (i.e.F05,F07....)

**VDI/VDE 3845:** Namur mounting for accessories such as switchboxes, solenoid valves and positioners.

**ATEX:** Directive 2014/34/UE.

**PED:** PResure Equipment Directive 2014/68/EU.



REF NO	DESCRIPTION	QTY	MATERIAL STD UNIT	COMMENTS
1	Body	1	Aluminium Anod.	-
2	Driveshaft	1	Steel	Alt. CNI 425
3	Piston	2	Aluminium	Alt. Hard Anodized/PTFE
4	Endcap with Stop Adj.	2	Aluminium Anod.	-
5	Spring	12 max	SiCr	S1 Double Acting only
6	Endcap Bolt	8	Stainless Steel	-
7	Open Stop Adj. Bolt	1	Stainless Steel	-
8	Open Stop Adj. Nut	1	Stainless Steel	-
9	Open Stop Adj. Washer	1	Polyethylene	-
10	Open Stop Adj.'O'Ring	1	Buna Nitrile	Alt. Viton/Silicone/EPDM
11*	Endcap 'O'Ring	2	Buna Nitrile	Alt. Viton/Silicone/EPDM
12*	Piston Back-up Bearing	2	POM Delrin	-
13*	Piston 'O'Ring	2	Buna Nitrile	Alt. Viton/Silicone/EPDM
14*	Piston Wearpad	2	POM Delrin	-
15*	Piston Guidebar	2	Steel	-

REF NO	DESCRIPTION	QTY	MATERIAL STD UNIT	COMMENTS
16*	Driveshaft Washer	1	Polyethylene	-
17*	Driveshaft Circlip	1	Steel	-
18*	Driveshaft Upper 'O'Ring	1	Buna Nitrile	Alt. Viton/Silicone/EPDM
19*	Driveshaft Upper Bearing	1	POM Delrin	-
20*	Driveshaft Lower 'O'Ring	1	Buna Nitrile	Alt. Viton/Silicone/EPDM
21*	Driveshaft Lower Bearing	1	POM Delrin	-
22	Centralization Ring	1	POM Delrin	-
23 (G10)	Piston (Closed Stop Adj.)	1	Aluminium	Alt. Hard Anodized/PTFE
24 (G10)	Closed Stop Adj. Bolt	1	Stainless Steel	-
25 (G10)	Closed Stop Adj. Damper	1	POM Delrin	-
26 (G10)	Stop Bolt 'O' Ring	1	Buna Nitrile	Alt. Viton/Silicone/EPDM
27 (G10)	Piston Stop Bolt 'O' Ring	2	Buna Nitrile	Alt. Viton/Silicone/EPDM
28 (G10)	Stop Bolt Retainer 'O' Ring	1	Buna Nitrile	Alt. Viton/Silicone/EPDM
29 (G10)	Stop Bolt Retainer	1	Stainless Steel	-
30 (G10)	Closed Stop Adj. Nut	1	Stainless Steel	-

### ACTUATOR OPERATION

#### Maximum Operating Time Per Second (0.55 MPaG / 80 PSIG)

Actuator Size	FATDA0250401SH FATSR0250401SH	FATDA0500401SH FATSR0500401SH	FATDA1000401SH FATSR1000401SH	FATDA2000401SH FATSR2000401SH	FATDA3750401SH FATSR3750401SH	FATDA6000401SH FATSR6000401SH	FATDA8250401SH FATSR8250401SH
Port 'A' to open [liters]	0,09	0,18	0,38	0,90	1,69	2,80	3,05
Port 'B' to close [liters]	0,12	0,24	0,50	1,00	1,90	3,40	3,70
Port 'A' to open [cubic inch]	5,49	10,98	23,18	54,92	103,13	170,86	186,12
Port 'B' to close [cubic inch]	7,32	14,65	30,52	61,02	115,95	207,47	225,79

#### Air Consumption per Stroke

Actuator Size	FATDA0250401SH FATSR0250401SH	FATDA0500401SH FATSR0500401SH	FATDA1000401SH FATSR1000401SH	FATDA2000401SH FATSR2000401SH	FATDA3750401SH FATSR3750401SH	FATDA6000401SH FATSR6000401SH	FATDA8250401SH FATSR8250401SH
DA OPEN	<1	<1	<1	2,0	2,5	3,5	4,0
DA CLOSE	<1	<1	<1	2,0	2,5	3,5	4,0
SR OPEN	<1	<1	<1	2,0	2,5	3,5	4,0
SR CLOSE	<1	<1	<1	1,5	2,0	3,0	3,0

#### Overall Actuator Weight

Actuator Size	3	10	35	70
DA Kilograms (kg)	1.0	2.8	10.4	20.2
SR Kilograms (kg)	1.1	2.9	11.9	23.9
DA pounds (lbs)	2.2	6.2	22.8	44.4
SR pounds (lbs)	2.4	6.4	26.1	52.5

#### Minimum Recommended Solenoid Valve Cv

Actuator Size	3	10	35	70
Solenoid Cv	0.2	0.2	0.5	0.8

### TECHNICAL DATA

**GDA** = DoubleActing

**DA Port 'A'** = Air To Open (Anti-Clockwise)

**DA Port 'B'** = Air To Close (Clockwise)

**Fail Safe Open** = Rotate Pistons 180° About Own Axis

**Drive Medium** = Air (Dry or Lubricated); Non Corrosive Gas; Light Hydraulic Oil

**GSR** = SpringReturn

**SR Port 'A'** = Air To Oper (Anti-Clockwise compressing Springs)

**SR Port 'B'** = Spring To Close (Clockwise)

#### Temperature:

- Buna Nitrile 'O' Seals

-40 to +100°C  
or -40 to +212°F

- Viton 'O' Seals

-25 to +250°C  
or -13 to +482°F

## DOUBLE ACTING



### OPENING STROKE

- Looking at the front of the Actuator, PORT 'A' is on the left and PORT 'B' is on the right.
- To open the Actuator, connect the air supply to PORT 'A' to fill the central chamber of the Actuator.
- The two opposing Pistons will open and rotate the driveshaft in a counter-clockwise direction.
- When the pistons reach the end of their travel, the actuator driveshaft will be in the open position.



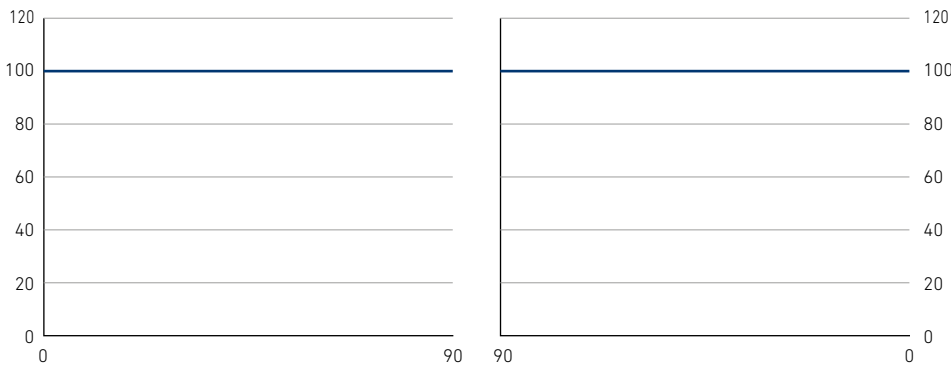
### CLOSING STROKE

- Looking at the front of the Actuator, PORT 'A' is on the left and PORT 'B' is on the right.
- To close the Actuator, connect the air supply to PORT 'B' to fill the outer chambers of the Actuator.
- The two opposing Pistons will close and rotate the actuator driveshaft in a clockwise direction.
- When the pistons reach the end of their travel, the actuator driveshaft will be in the closed position.

## TORQUE VALUE GEMELS ACTUATORS

### TORQUE DIAGRAM DOUBLE ACTING ACTUATOR

With reference to the above diagram, it is possible to note that the torque of a double acting actuator remains constant throughout the complete action.



**TORQUES (Nm) ACTUATOR GEMELS DOUBLE ACTING**

MODEL	AIR SUPPLY						
	Mpa	0,3	0,4	0,5	0,55	0,6	0,7
	PSI	43,5	58	72,5	79,75	87	101,5
DA 25	Nm	11,9	15,8	19,8	21,7	23,7	27,7
	lbf-ft	8,78	11,65	14,60	16,01	17,48	20,43
DA40	Nm	20,8	27,7	34,6	38,1	41,6	48,5
	lbf-ft	15,34	20,43	25,52	28,10	30,68	35,77
DA 50	Nm	25,4	33,8	42,3	46,5	50,7	59,2
	lbf-ft	18,73	24,93	31,20	34,30	37,39	43,66
DA 100	Nm	50,7	67,6	84,5	93	101,4	118,3
	lbf-ft	37,39	49,86	62,32	68,59	74,79	87,25
DA 200	Nm	101	134,6	168,3	185,1	201,9	235,6
	lbf-ft	74,49	99,28	124,13	136,52	148,91	173,77
DA 375	Nm	187	249	312	343	374	437
	lbf-ft	137,92	183,65	230,12	252,98	275,85	322,31
DA 580	Nm	298	398	497	547	597	696
	lbf-ft	219,79	293,55	366,57	403,45	440,32	513,34
DA 825	Nm	412	550	687	756	825	962
	lbf-ft	303,87	405,66	506,70	557,60	608,49	709,53



## SPRING RETURN



### OPENING STROKE

- Looking at the front of the Actuator, PORT 'A' is on the left and PORT 'B' is on the right.
- To open the Actuator, connect the air supply to PORT 'A' to fill the central chamber of the Actuator.
- The two opposing Pistons will open, compressing the springs in the outer chambers and rotate the driveshaft in a counter-clockwise direction.
- When the pistons reach the end of their travel, the springs will be fully compressed and the actuator driveshaft will be in the open position.



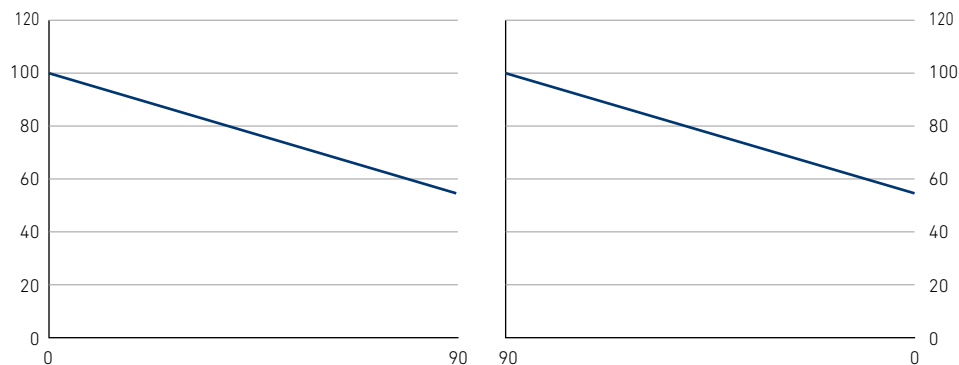
### CLOSING STROKE

- Looking at the front of the Actuator, PORT 'A' is on the left and PORT 'B' is on the right.
- To close the Actuator, disconnect the air supply from PORT 'A'. This will allow the compressed springs to push the pistons back to their starting position.
- As the springs decompress the two opposing Pistons will close and rotate the actuator driveshaft in a clockwise direction.
- When the pistons reach the end of their travel, the actuator driveshaft will be in the closed position.

## TORQUE VALUE GEMELS ACTUATORS

### TORQUE DIAGRAM DOUBLE ACTING ACTUATOR

With reference to the above diagram the torque of a Spring Return actuator is not constant but decreasing. This is due to the action of the springs.



**TORQUES (Nm) ACTUATOR GEMELS SPRING RETURN**

**Note:** For a continuous improvement, Gemels reserves the right to operate changes without prior notice. For the values highlighted, or are missing, or with a minus sign (-), it is reported that with the number of standard springs, at 3 bar, the actuator is not able to overcome the force of the internal springs, therefore the actuator can not to perform one complete rotation. Therefore with air supply of 3 Bar, it will be necessary evaluate the reduction of the number of springs or buy a bigger model.

TYPE	Springs Q.ty	Spring Torque		AIR SUPPLY													
				Mpa		0,3		0,4		0,5		0,55		0,6		0,7	
				PSI		43,5		58		72,5		79,75		87		101,5	
		Start	End	Start	End	Start	End	Start	End	Start	End	Start	End	Start	End		
SR35/(18)	1	2,72	1,50	Nm	23,90	22,60	32,30	31,10	40,80	39,50	45,00	43,80	49,20	48,00	57,70	56,40	
		2,01	1,11	lbf-ft	17,63	16,67	23,82	22,94	30,09	29,13	33,19	32,31	36,29	35,40	42,56	41,60	
	2	5,44	3,00	Nm	22,40	19,90	30,80	28,40	39,30	36,80	43,50	41,00	47,70	45,30	56,20	53,70	
		4,01	2,21	lbf-ft	16,52	14,68	22,72	20,95	28,99	27,14	32,08	30,24	35,18	33,41	41,45	39,61	
	3	8,16	4,50	Nm	20,90	17,20	29,30	25,60	37,80	34,10	42,00	38,30	46,20	42,50	54,70	51,00	
		6,02	3,32	lbf-ft	15,42	12,69	21,61	18,88	27,88	25,15	30,98	28,25	34,08	31,35	40,34	37,62	
	4	10,88	6,00	Nm	19,40	14,50	27,80	22,90	36,30	31,40	40,50	35,60	44,70	39,80	53,20	48,30	
		8,02	4,43	lbf-ft	14,31	10,69	20,50	16,89	26,77	23,16	29,87	26,26	32,97	29,35	39,24	35,62	
	5	13,60	7,50	Nm	17,90	11,80	26,30	20,20	34,80	28,70	39,00	32,90	43,20	37,10	51,70	45,60	
		10,03	5,53	lbf-ft	13,20	8,70	19,40	14,90	25,67	21,17	28,76	24,27	31,86	27,36	38,13	33,63	
	6	16,32	9,00	Nm	16,40	9,00	24,80	17,50	33,30	25,90	37,50	30,20	41,70	34,40	50,20	42,80	
		12,04	6,64	lbf-ft	12,10	6,64	18,29	12,91	24,56	19,10	27,66	22,27	30,76	25,37	37,03	31,57	
7	19,04	10,50	Nm	-	-	23,30	14,80	31,80	23,20	36,00	27,40	40,20	31,70	48,70	40,10		
	14,04	7,74	lbf-ft	-	-	17,19	10,92	23,45	17,11	26,55	20,21	29,65	23,38	35,92	29,58		
8	21,76	12,00	Nm	-	-	21,80	12,00	30,30	20,50	34,50	24,70	38,70	28,90	47,20	37,40		
	16,05	8,85	lbf-ft	-	-	16,08	8,85	22,35	15,12	25,45	18,22	28,54	21,32	34,81	27,58		
9	24,48	13,50	Nm	-	-	-	-	28,80	17,80	33,00	22,00	37,20	26,20	45,70	34,70		
	18,06	9,96	lbf-ft	-	-	-	-	21,24	13,13	24,34	16,23	27,44	19,32	33,71	25,59		
10	27,20	15,00	Nm	-	-	-	-	27,30	15,10	31,50	19,30	35,70	23,50	44,20	32,00		
	20,06	11,06	lbf-ft	-	-	-	-	20,14	11,14	23,23	14,23	26,33	17,33	32,60	23,60		
11	29,92	16,50	Nm	-	-	-	-	-	-	30,00	16,60	34,20	20,80	42,70	29,20		
	22,07	12,17	lbf-ft	-	-	-	-	-	-	22,13	12,24	25,22	15,34	31,49	21,54		
12	32,64	18,00	Nm	-	-	-	-	-	-	28,50	13,80	32,70	18,10	41,20	26,50		
	24,07	13,28	lbf-ft	-	-	-	-	-	-	21,02	10,18	24,12	13,35	30,39	19,55		
SR60/(40)	1	5,12	3,34	Nm	47,40	45,60	64,30	62,50	81,20	79,40	89,60	87,80	98,10	96,30	115,00	113,20	
		3,78	2,46	lbf-ft	34,96	33,63	47,43	46,10	59,89	58,56	66,09	64,76	72,35	71,03	84,82	83,49	
	2	10,24	6,68	Nm	44,00	40,50	60,90	57,40	77,80	74,30	86,30	82,70	94,70	91,20	111,60	108,10	
		7,55	4,93	lbf-ft	32,45	29,87	44,92	42,34	57,38	54,80	63,65	61,00	69,85	67,27	82,31	79,73	
	3	15,36	10,02	Nm	40,70	35,30	57,60	52,20	74,50	69,10	82,90	77,60	91,40	86,00	108,30	102,90	
		11,33	7,39	lbf-ft	30,02	26,04	42,48	38,50	54,95	50,97	61,14	57,23	67,41	63,43	79,88	75,89	
	4	20,48	13,36	Nm	37,30	30,20	54,20	47,10	71,10	64,00	79,60	72,50	88,00	80,90	104,90	97,80	
		15,11	9,85	lbf-ft	27,51	22,27	39,98	34,74	52,44	47,20	58,71	53,47	64,91	59,67	77,37	72,13	
	5	25,60	16,70	Nm	34,00	25,10	50,90	42,00	67,80	58,90	76,30	67,40	84,70	75,80	101,60	92,70	
		18,88	12,32	lbf-ft	25,08	18,51	37,54	30,98	50,01	43,44	56,28	49,71	62,47	55,91	74,94	68,37	
	6	30,72	20,04	Nm	30,70	20,00	47,60	36,90	64,50	53,80	72,90	62,20	81,40	70,70	98,30	87,60	
		22,66	14,78	lbf-ft	22,64	14,75	35,11	27,22	47,57	39,68	53,77	45,88	60,04	52,15	72,50	64,61	
	7	35,84	23,38	Nm	-	-	44,20	31,80	61,10	48,70	69,60	57,10	78,00	65,60	94,90	82,50	
		26,43	17,24	lbf-ft	-	-	32,60	23,45	45,06	35,92	51,33	42,11	57,53	48,38	69,99	60,85	
	8	40,96	26,72	Nm	-	-	40,90	26,60	57,80	43,50	66,20	52,00	74,70	60,40	91,60	77,30	
		30,21	19,71	lbf-ft	-	-	30,17	19,62	42,63	32,08	48,83	38,35	55,10	44,55	67,56	57,01	
	9	46,08	30,06	Nm	-	-	-	-	54,40	38,40	62,90	46,90	71,30	55,30	88,20	72,20	
		33,99	22,17	lbf-ft	-	-	-	-	40,12	28,32	46,39	34,59	52,59	40,79	65,05	53,25	
	10	51,20	33,40	Nm	-	-	-	-	51,10	33,30	59,60	41,80	68,00	50,20	84,90	67,10	
		37,76	24,63	lbf-ft	-	-	-	-	37,69	24,56	43,96	30,83	50,15	37,03	62,62	49,49	
	11	56,32	36,74	Nm	-	-	-	-	-	-	56,20	36,60	64,70	45,10	81,60	62,00	
		41,54	27,10	lbf-ft	-	-	-	-	-	-	41,45	26,99	47,72	33,26	60,18	45,73	
	12	61,44	40,08	Nm	-	-	-	-	-	-	52,90	31,50	61,30	40,00	78,20	56,90	
		45,32	29,56	lbf-ft	-	-	-	-	-	-	39,02	23,23	45,21	29,50	57,68	41,97	

## TORQUES (Nm) ACTUATOR GEMELS SPRING RETURN

TYPE	Springs Outer   Inner		Spring Torque Start   End		AIR SUPPLY													
					Mpa		0,3		0,4		0,5		0,55		0,6		0,7	
					PSI		43,5		58		72,5		79,75		87		101,5	
							Start	End	Start	End	Start	End	Start	End	Start	End	Start	End
SRI30/(72)	1	0	21,70	11,90	Nm	89,00	79,30	122,70	112,90	156,30	146,60	173,20	163,40	190,00	180,20	223,70	213,90	
			16,01	8,78	lbf-ft	65,64	58,49	90,50	83,27	115,28	108,13	127,75	120,52	140,14	132,91	164,99	157,76	
	1	1	32,60	17,90	Nm	83,10	68,40	116,70	102,10	150,40	135,70	167,20	152,60	184,00	169,40	217,70	203,00	
			24,04	13,20	lbf-ft	61,29	50,45	86,07	75,30	110,93	100,09	123,32	112,55	135,71	124,94	160,57	149,72	
	2	0	43,40	23,90	Nm	77,10	57,60	110,80	91,20	144,40	124,90	161,20	141,70	178,10	158,50	211,70	192,20	
			32,01	17,63	lbf-ft	56,87	42,48	81,72	67,27	106,50	92,12	118,89	104,51	131,36	116,90	156,14	141,76	
	2	1	54,30	29,80	Nm	71,10	46,70	104,80	80,40	138,40	114,00	155,30	130,90	172,10	147,70	205,80	181,30	
			40,05	21,98	lbf-ft	52,44	34,44	77,30	59,30	102,08	84,08	114,54	96,55	126,93	108,94	151,79	133,72	
	2	2	65,10	35,80	Nm	65,20	35,90	98,80	69,50	132,50	103,20	149,30	120,00	166,10	136,80	199,80	170,50	
			48,02	26,40	lbf-ft	48,09	26,48	72,87	51,26	97,73	76,12	110,12	88,51	122,51	100,90	147,36	125,75	
	3	0	65,10	35,80	Nm	65,20	35,90	98,80	69,50	132,50	103,20	149,30	120,00	166,10	136,80	199,80	170,50	
			48,02	26,40	lbf-ft	48,09	26,48	72,87	51,26	97,73	76,12	110,12	88,51	122,51	100,90	147,36	125,75	
	3	1	76,00	41,80	Nm	59,20	25,00	92,90	58,70	126,50	92,30	143,30	109,20	160,20	126,00	193,80	159,60	
			56,05	30,83	lbf-ft	43,66	18,44	68,52	43,29	93,30	68,08	105,69	80,54	118,16	92,93	142,94	117,71	
	3	2	86,80	47,70	Nm	53,20	14,20	86,90	47,80	120,50	81,50	137,40	98,30	154,20	115,10	187,90	148,80	
			64,02	35,18	lbf-ft	39,24	10,47	64,09	35,26	88,88	60,11	101,34	72,50	113,73	84,89	138,59	109,75	
	3	3	97,70	53,70	Nm	47,30	3,30	80,90	37,00	114,60	70,60	131,40	87,50	148,20	104,30	181,90	137,90	
			72,06	39,61	lbf-ft	34,89	2,43	59,67	27,29	84,52	52,07	96,92	64,54	109,31	76,93	134,16	101,71	
	4	0	86,80	47,70	Nm	53,20	14,20	86,90	47,80	120,60	81,50	137,40	98,30	154,20	115,10	187,90	148,80	
			64,02	35,18	lbf-ft	39,24	10,47	64,09	35,26	88,95	60,11	101,34	72,50	113,73	84,89	138,59	109,75	
4	1	97,70	53,70	Nm	47,30	3,30	80,90	37,00	114,60	70,60	131,40	87,50	148,20	104,30	181,90	137,90		
		72,06	39,61	lbf-ft	34,89	2,43	59,67	27,29	84,52	52,07	96,92	64,54	109,31	76,93	134,16	101,71		
4	2	108,50	59,70	Nm	41,30	-7,50	75,00	26,10	108,60	59,80	125,40	76,60	142,30	93,40	175,90	127,10		
		80,03	44,03	lbf-ft	30,46	-5,53	55,32	19,25	80,10	44,11	92,49	56,50	104,95	68,89	129,74	93,74		
4	3	119,40	65,60	Nm	35,30	-18,40	69,00	15,30	102,60	48,90	119,50	65,80	136,30	82,60	170,00	116,20		
		88,06	48,38	lbf-ft	26,04	-13,57	50,89	11,28	75,67	36,07	88,14	48,53	100,53	60,92	125,39	85,70		
4	4	130,20	71,60	Nm	29,40	-29,20	63,00	4,40	96,70	38,10	113,50	54,90	130,30	71,70	164,00	105,40		
		96,03	52,81	lbf-ft	21,68	-21,54	46,47	3,25	71,32	28,10	83,71	40,49	96,10	52,88	120,96	77,74		
SR240/(132)	1	0	40,20	22,10	Nm	165,00	146,90	227,30	209,30	289,70	271,60	320,90	302,80	352,10	334,00	414,40	396,30	
			29,65	16,30	lbf-ft	121,70	108,35	167,65	154,37	213,67	200,32	236,68	223,33	259,69	246,35	305,64	292,30	
	1	1	60,30	33,20	Nm	153,90	126,80	216,30	189,20	278,70	251,50	309,80	282,70	341,00	313,90	403,40	376,20	
			44,47	24,49	lbf-ft	113,51	93,52	159,53	139,55	205,56	185,50	228,50	208,51	251,51	231,52	297,53	277,47	
	2	0	80,40	44,20	Nm	142,90	106,70	205,20	169,10	267,60	231,40	298,80	262,60	330,00	293,80	392,30	356,10	
			59,30	32,60	lbf-ft	105,40	78,70	151,35	124,72	197,37	170,67	220,38	193,68	243,39	216,70	289,34	262,65	
	2	1	100,50	55,30	Nm	131,80	86,60	194,20	149,00	256,50	211,30	287,70	242,50	318,90	273,70	381,30	336,00	
			74,12	40,79	lbf-ft	97,21	63,87	143,23	109,90	189,18	155,85	212,20	178,86	235,21	201,87	281,23	247,82	
	2	2	120,60	66,30	Nm	120,80	66,50	183,10	128,90	245,50	191,20	276,70	222,40	307,90	253,60	370,20	315,90	
			88,95	48,90	lbf-ft	89,10	49,05	135,05	95,07	181,07	141,02	204,08	164,03	227,09	187,05	273,04	233,00	
	3	0	120,60	66,30	Nm	120,80	66,50	183,10	128,90	245,50	191,20	276,70	222,40	307,90	253,60	370,20	315,90	
			88,95	48,90	lbf-ft	89,10	49,05	135,05	95,07	181,07	141,02	204,08	164,03	227,09	187,05	273,04	233,00	
	3	1	140,70	77,40	Nm	109,70	46,40	172,10	108,80	234,40	171,10	265,60	202,30	296,80	233,50	359,20	295,80	
			103,77	57,09	lbf-ft	80,91	34,22	126,93	80,25	172,88	126,20	195,90	149,21	218,91	172,22	264,93	218,17	
	3	2	160,80	88,40	Nm	98,70	26,30	161,00	88,70	223,40	151,00	254,60	182,20	285,80	213,40	348,10	275,70	
			118,60	65,20	lbf-ft	72,80	19,40	118,75	65,42	164,77	111,37	187,78	134,38	210,79	157,40	256,74	203,35	
	3	3	180,90	99,50	Nm	87,60	6,20	150,00	68,60	212,30	130,90	243,50	162,10	274,70	193,30	337,10	255,60	
			133,42	73,39	lbf-ft	64,61	4,57	110,63	50,60	156,58	96,55	179,60	119,56	202,61	142,57	248,63	188,52	
	4	0	160,80	88,40	Nm	98,70	26,30	161,00	88,70	223,40	151,00	254,60	182,20	285,70	213,40	348,10	275,70	
			118,60	65,20	lbf-ft	72,80	19,40	118,75	65,42	164,77	111,37	187,78	134,38	210,72	157,40	256,74	203,35	
4	1	180,90	99,50	Nm	87,60	6,20	150,00	68,60	212,30	130,90	243,50	162,10	274,70	193,30	337,10	255,60		
		133,42	73,39	lbf-ft	64,61	4,57	110,63	50,60	156,58	96,55	179,60	119,56	202,61	142,57	248,63	188,52		
4	2	201,00	110,50	Nm	76,60	-13,90	138,90	48,50	201,30	110,80	232,50	142,00	263,60	173,20	326,00	235,50		
		148,25	81,50	lbf-ft	56,50	-10,25	102,45	35,77	148,47	81,72	171,48	104,73	194,42	127,75	240,44	173,70		
4	3	221,10	121,60	Nm	65,50	-34,00	127,90	28,40	190,20	90,70	221,40	121,90	252,60	153,10	315,00	215,40		
		163,07	89,69	lbf-ft	48,31	-25,08	94,33	20,95	140,28	66,90	163,30	89,91	186,31	112,92	232,33	158,87		
4	4	241,20	132,60	Nm	54,50	-54,10	116,80	8,30	179,20	70,60	210,40	101,80	241,50	133,00	303,90	195,30		
		177,90	97,80	lbf-ft	40,20	-39,90	86,15	6,12	132,17	52,07	155,18	75,08	178,12	98,10	224,14	144,05		

**Note:** For a continuous improvement, Gemels reserves the right to operate changes without prior notice. For the values highlighted, or are missing, or with a minus sign (-), it is reported that with the number of standard springs, at 3 bar, the actuator is not able to overcome the force of the internal springs, therefore the actuator can not to perform one complete rotation. Therefore with air supply of 3 Bar, it will be necessary evaluate the reduction of the number of springs or buy a bigger model.

### WARNING: NEVER DISASSEMBLE A PRESSURISED UNIT!

Always isolate the actuator pneumatically or hydraulically and electrically.

Always remove all accessories and mounting hardware prior to maintenance.

#### Other Information

Actuator Lubricant: BERULUB FR16  
Spring Lubrications: VALVOLINE L-EP2  
Always insure you wear the correct safety equipment as stipulated by your local organisation and applicable laws

**TORQUES (Nm) ACTUATOR GEMELS SPRING RETURN**

**Note:** For a continuous improvement, Gemels reserves the right to operate changes without prior notice. For the values highlighted, or are missing, or with a minus sign (-), it is reported that with the number of standard springs, at 3 bar, the actuator is not able to overcome the force of the internal springs, therefore the actuator can not to perform one complete rotation. Therefore with air supply of 3 Bar, it will be necessary evaluate the reduction of the number of springs or buy a bigger model.

TYPE	Springs		Spring Torque		AIR SUPPLY												
	Outer	Inner	Start	End	Mpa	0,3		0,4		0,5		0,55		0,6		0,7	
					PSI	43,5		58		72,5		79,75		87		101,5	
					Start	End	Start	End	Start	End	Start	End	Start	End	Start	End	
SR385/(210)	1	0	64,1	35,3	Nm	263,1	234,3	362,6	333,7	462	433,2	511,8	482,9	561,5	532,6	660,9	632,1
			47,28	26,04	lbf-ft	194,05	172,81	267,44	246,12	340,75	319,51	377,48	356,17	414,14	392,82	487,45	466,21
	1	1	96,2	52,9	Nm	245,5	202,2	344,9	301,7	444,4	401,1	494,1	450,9	543,8	500,6	643,3	600
			70,95	39,02	lbf-ft	181,07	149,13	254,38	222,52	327,77	295,84	364,43	332,57	401,09	369,22	474,47	442,54
	2	0	128,2	70,5	Nm	227,9	170,2	327,3	269,6	426,8	369,1	476,5	418,8	526,2	468,5	625,7	568
			94,56	52,00	lbf-ft	168,09	125,53	241,40	198,85	314,79	272,23	351,45	308,89	388,10	345,55	461,49	418,93
	2	1	160,3	88,1	Nm	210,2	138,1	309,7	237,6	409,1	337	458,9	386,8	508,6	436,5	608,1	535,9
			118,23	64,98	lbf-ft	155,04	101,86	228,42	175,24	301,74	248,56	338,47	285,29	375,12	321,94	448,51	395,26
	2	2	192,3	105,8	Nm	192,6	106,1	292,1	205,5	391,5	305	441,2	354,7	491	404,4	590,4	503,9
			141,83	78,03	lbf-ft	142,05	78,26	215,44	151,57	288,75	224,96	325,41	261,61	362,14	298,27	435,46	371,66
	3	0	192,3	105,8	Nm	192,6	106,1	292,1	205,5	391,5	305	441,3	354,7	491	404,4	590,4	503,9
			141,83	78,03	lbf-ft	142,05	78,26	215,44	151,57	288,75	224,96	325,49	261,61	362,14	298,27	435,46	371,66
	3	1	224,4	123,4	Nm	175	74	274,4	173,5	373,9	272,9	423,6	322,7	473,3	372,4	572,8	471,8
			165,51	91,01	lbf-ft	129,07	54,58	202,39	127,97	275,77	201,28	312,43	238,01	349,09	274,67	422,47	347,98
	3	2	256,4	141	Nm	157,4	42	256,8	141,4	356,3	240,9	406	290,6	455,7	340,3	555,2	439,8
			189,11	110,40	lbf-ft	116,09	30,98	189,41	104,29	262,79	177,68	299,45	214,33	336,11	250,99	409,49	324,38
	3	3	288,5	158,6	Nm	139,7	9,9	239,2	109,4	338,6	208,8	388,4	258,6	438,1	308,3	537,5	407,7
			212,79	116,98	lbf-ft	103,04	7,30	176,42	80,69	249,74	154,00	286,47	190,73	323,13	227,39	396,44	300,70
	4	0	256,4	141	Nm	157,4	42	256,8	141,4	356,3	240,9	406	290,6	455,7	340,3	555,2	439,8
			189,11	110,40	lbf-ft	116,09	30,98	189,41	104,29	262,79	177,68	299,45	214,33	336,11	250,99	409,49	324,38
	4	1	288,5	158,6	Nm	139,7	9,9	239,2	109,4	338,6	208,8	388,4	258,6	438,1	308,3	537,6	407,7
			212,79	116,98	lbf-ft	103,04	7,30	176,42	80,69	249,74	154,00	286,47	190,73	323,13	227,39	396,51	300,70
	4	2	320,5	176,3	Nm	122,1	-22,1	221,6	77,3	321	176,8	370,7	226,5	420,5	276,2	519,9	375,7
			236,39	130,03	lbf-ft	90,06	-16,30	163,44	57,01	236,76	130,40	273,41	167,06	310,14	203,71	383,46	277,10
4	3	352,6	193,9	Nm	104,5	-54,2	203,9	45,3	303,4	144,7	353,1	194,5	402,8	244,2	502,3	343,6	
		260,06	143,01	lbf-ft	77,08	-39,98	150,39	33,41	223,78	106,72	260,43	143,46	297,09	180,11	370,48	253,43	
4	4	384,6	211,5	Nm	86,8	-86,2	186,3	13,2	285,8	112,7	335,5	162,4	385,2	212,1	484,7	311,6	
		283,67	155,99	lbf-ft	64,02	-63,58	137,41	9,74	210,79	83,12	247,45	119,78	284,11	156,44	357,50	229,82	
SR530/(290)	1	0	89	49	Nm	364	324	501	461	639	599	707	668	776	736	914	874
			65,64	36,14	lbf-ft	268,47	238,97	369,52	340,02	471,30	441,80	521,45	492,69	572,35	542,84	674,13	644,63
	1	1	133	73	Nm	339	280	477	417	614	555	683	623	752	692	889	829
			98,10	53,84	lbf-ft	250,03	206,52	351,82	307,56	452,86	409,35	503,75	459,50	554,65	510,39	655,69	611,44
	2	0	177	97	Nm	315	235	452	373	590	510	659	579	727	648	865	785
			130,55	71,54	lbf-ft	232,33	173,33	333,38	275,11	435,16	376,16	486,05	427,05	536,21	477,94	637,99	578,98
	2	1	221	122	Nm	291	191	428	329	566	466	634	535	703	603	841	741
			163,00	89,98	lbf-ft	214,63	140,87	315,68	242,66	417,46	343,70	467,61	394,59	518,50	444,75	620,29	546,53
	2	2	266	146	Nm	266	147	404	284	541	422	610	491	679	559	816	697
			196,19	107,68	lbf-ft	196,19	108,42	297,97	209,47	399,02	311,25	449,91	362,14	500,80	412,30	601,85	514,08
	3	0	266	146	Nm	266	147	404	284	541	422	610	491	679	559	816	697
			196,19	107,68	lbf-ft	196,19	108,42	297,97	209,47	399,02	311,25	449,91	362,14	500,80	412,30	601,85	514,08
	3	1	310	170	Nm	242	103	379	240	517	378	586	446	654	515	792	652
			228,64	125,39	lbf-ft	178,49	75,97	279,54	177,01	381,32	278,80	432,21	328,95	482,36	379,84	584,15	480,89
	3	2	354	195	Nm	218	58	355	196	493	333	561	402	630	471	767	608
			261,10	143,82	lbf-ft	160,79	42,78	261,83	144,56	363,62	245,61	413,77	296,50	464,66	347,39	565,71	448,44
	3	3	398	219	Nm	193	14	331	152	468	289	537	358	606	426	743	564
			293,55	161,53	lbf-ft	142,35	10,33	244,13	112,11	345,18	213,15	396,07	264,05	446,96	314,20	548,01	415,98
	4	0	354	195	Nm	218	58	355	196	493	333	561	402	630	471	768	608
			261,10	143,82	lbf-ft	160,79	42,78	261,83	144,56	363,62	245,61	413,77	296,50	464,66	347,39	566,45	448,44
	4	1	398	219	Nm	193	14	331	152	468	289	537	358	606	426	743	564
			293,55	161,53	lbf-ft	142,35	10,33	244,13	112,11	345,18	213,15	396,07	264,05	446,96	314,20	548,01	415,98
	4	2	443	243	Nm	169	-30	306	107	444	245	513	314	581	382	719	520
			326,74	179,23	lbf-ft	124,65	-22,13	225,69	78,92	327,48	180,70	378,37	231,59	428,52	281,75	530,31	383,53
4	3	487	268	Nm	145	-74	282	63	420	201	488	269	557	338	694	475	
		359,19	197,67	lbf-ft	106,95	-54,58	207,99	46,47	309,78	148,25	359,93	198,40	410,82	249,30	511,87	350,34	
4	4	531	292	Nm	120	-119	258	19	395	156	464	225	533	294	670	431	
		391,64	215,37	lbf-ft	88,51	-87,77	190,29	14,01	291,34	115,06	342,23	165,95	393,12	216,84	494,17	317,89	

**WARNING: NEVER DISASSEMBLE A PRESSURISED UNIT!**

Always isolate the actuator pneumatically or hydraulically and electrically.

Always remove all accessories and mounting hardware prior to maintenance.

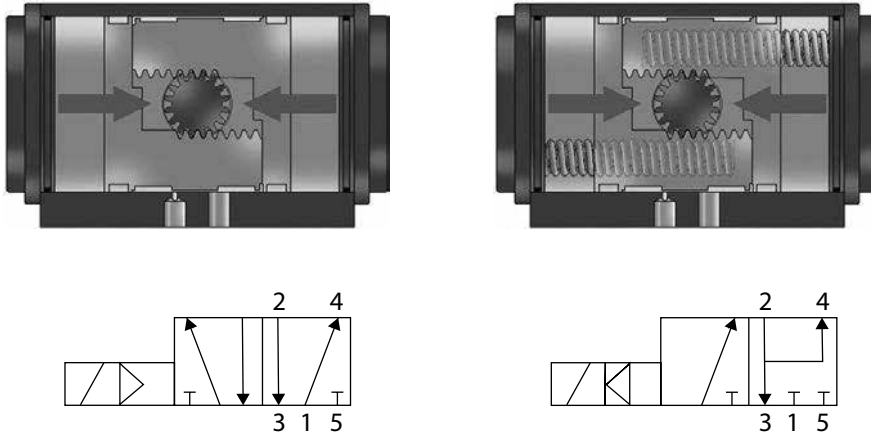
**Other Information**

Actuator Lubricant: BERULUB FR16  
 Spring Lubrications: VALVOLINE L-EP2  
 Always insure you wear the correct safety equipment as stipulated by your local organisation and applicable laws

## SOLENOID VALVE MOUNTING: NAMUR TYPE

Please ensure you read the IOM manual that is supplied with the solenoid valve in order to ensure correct function. This section is a guide to the function of a solenoid valve in conjunction with a pneumatic quarter turn actuator. The solenoid valves mentioned here are "**namur mounted**" with a modular "**5/2 way / 3/2 way**" (meaning either mode is possible with the same valve). Certain facts need to be taken into consideration when mounting a namur solenoid valve to a quarter turn pneumatic actuator:

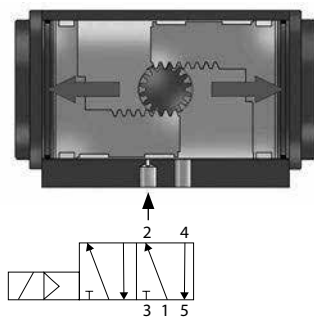
- Port "2" and "4" are always on the namur interface of the solenoid valve
- Port "2" and "4" are always connected to the namur interface of the quarter turn pneumatic actuator
- Port "1" is where instrument air is always connected to the solenoid valve
- Port "1" is always referred to as the air inlet or pressure port on a solenoid valve



The above diagrams show a double acting actuator with 5/2 way solenoid valve (10.1) and a spring return actuator with a 5/2 way valve set up to function as a 3/2 way valve (10.2). Both valves are shown in the de-energised state (coil inactive, no electrical current). In both cases the solenoid valves port "2" is connected to the actuators port "A" through which air will vent out of port "3". When connecting a namur solenoid valve, the pneumatic diagram will determine how to connect the ports. Only solenoid valve ports "2" and '4' can be connected to the actuator. Whichever of the two ports shows a vertical arrow pointing away from it, is the port that needs to be connected to the actuators central chamber, in this case port "A".

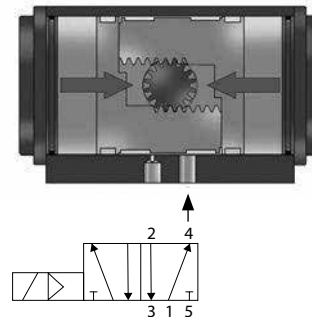
Please ensure you read the IOM manual that is supplied with the solenoid valve in order to ensure correct function. This section is a guide to the function of a solenoid valve in conjunction with a pneumatic quarter turn actuator. The solenoid valves mentioned here are “**namur mounted**” with a modular “**5/2 way / 3/2 way**” (meaning either mode is possible with the same valve).

## OPERATION WITH SOLENOID VALVES: DOUBLE ACTING



### SOLENOID COIL ENERGISED

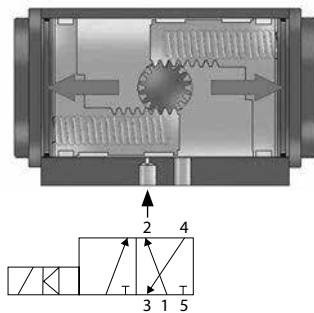
- This allows air to flow from solenoid inlet port “1” to solenoid port “2” which is connected to actuator port “A”.
- As the air enters the center chamber of the actuator, the pistons start to move towards the open position (as indicated by the large red arrows).
- Atmospheric air from the outer chambers will vent out of actuator port “B”, which is connected to solenoid port “4” and the exhausts via solenoid port “5”.
- Solenoid port “3” is not used.



### SOLENOID COIL DE-ENERGISED

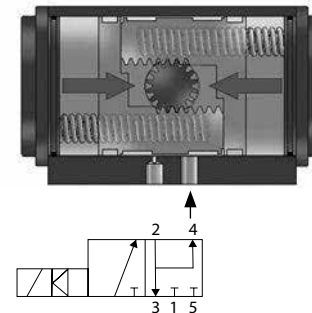
- This allows air to flow from solenoid inlet port “1” to solenoid port “4” which is connected to actuator port “B”.
- As the air enters the outer chambers of the actuator, the pistons start to move towards the closed position (as indicated by the large red arrows).
- Atmospheric air from the inner chamber will vent out of actuator port “A”, which is connected to solenoid port “2” and the exhausts via solenoid port “3”.
- Solenoid port “5” is not used.

## OPERATION WITH SOLENOID VALVES: SPRING RETURN



### SOLENOID COIL ENERGISED

- This allows air to flow from solenoid inlet port “1” to solenoid port “2” which is connected to actuator port “A”.
- As the air enters the center chamber of the actuator, the pistons start to move towards the open position and compressing the springs in the outer chambers (as indicated by the large red arrows).
- Atmospheric air from the outer chambers will vent out of actuator port “B”, which is connected to solenoid port “4” and then exhausts via solenoid port “3”.
- Solenoid port “5” is not used.



### SOLENOID COIL DE-ENERGISED

- This closes solenoid port “1” and stops inlet air from flowing.
- The springs in the outer chambers will move the pistons back to the closed position (as indicated by the large red arrows).
- Residual air from the inner chamber will vent out of actuator port “A”, which is connected to solenoid port “2” and the exhausts via solenoid port “3”.
- Solenoid port “5” is not used.
- Solenoid port “2” and port “4” are also connected in a loop so no dirty air may enter the actuator (this is available only on some solenoid valves).

## MOUNTING VARIATIONS

Below are the two common variations to mounting a 90 degree or 180 degree actuator to a valve. Mounting actuators in these varying positions is due to space constraints in the global assembly or simply due to consistency with prior assemblies already in existence. Please note how the indicator puck always correctly shows the position of the valve disc and hence showing the flowpath of the medium running through the pipe.



**13.1 in-line, closed position**

Mounted in-line or parallel to the pipe, the actuator and valve are in the standard closed position.



**13.2 in-line, open position**

Mounted in-line or parallel to the pipe, the actuator and valve are in the standard open position.



**13.3 crossmount, closed position**

Mounted crossmount or offset to the pipe, the actuator and valve are in the standard closed position.



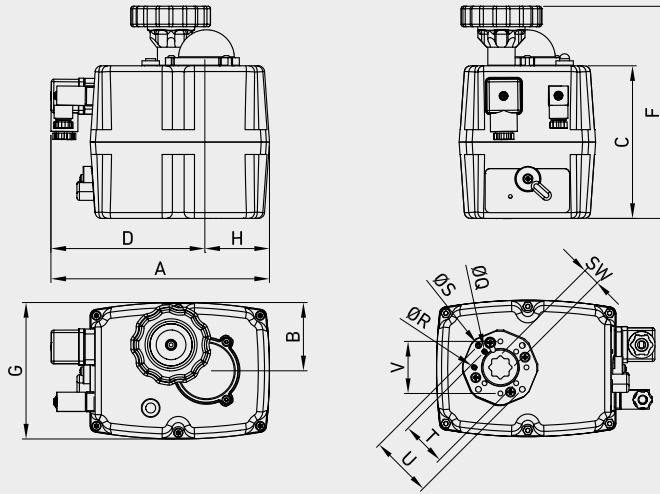
**13.4 crossmount, open position**

Mounted crossmount or offset to the pipe, the actuator and valve are in the standard open position.



**J4C ELECTRIC ACTUATOR (from DN6 up to DN13)**

- Housing: Anticorrosive polyamide (lid & body)
- Main external shaft: Anticorrosive polyamide
- External screws: stainless steel
- Gears: steel and polyamide
- Visual position indicator: Polyamide
- Dome: Polycarbonate
- Adjustable internal cams: Polyamide
- Electric motor: 24VDS Brushless motor
- Insulation: Class B



**OPTIONS**

- J4C S20/S85 DPS 2015 digital positioner: 4-20mA, 0-20mA, 0-10V or 1-10V.
- J4C S20/S85 BSR 2015 emergency fail safe kit system by battery
- Digital potentiometer: 1K, 5K or 10K.
- 3 position actuator: 0o-45o-90o or 0o-90o-180° (only for J4C-S35)

TYPE	BALL VALVES	DN
J4C-20	GE-GHP-GN	06-10
J4C-35	GE-GHP-GN-GR-SB	13



## VALVE WITH ELECTRICAL ACTUATORS

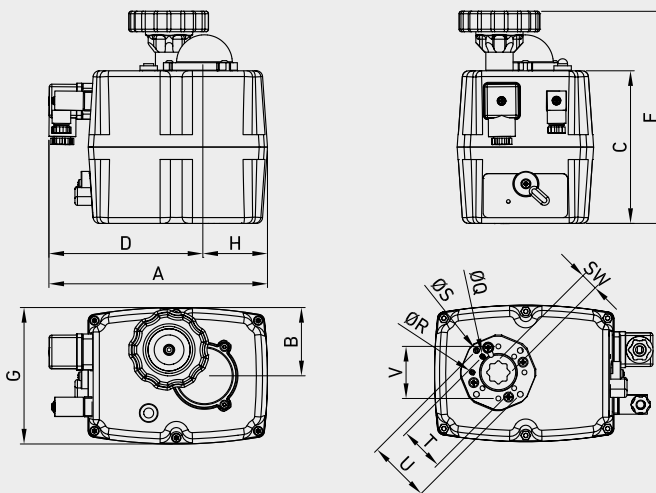
TYPE	VOLTAGE	ISO5211	A	B	C	D	F	G	H	ØQ	ØR	ØS	T	U	V	SW	WEIGHT	ITEM CODE		
J4C-S20	24 to 240 VAC/VDC	F03-F04-F05	mm	181	55	123	130	169	110	51	M5	M5	M6	36	50	42	9 or 11 or 14	kg	1,8	FAEJ3H2025HH
			inch	7,13	2,17	4,84	5,12	6,65	4,33	2,01				1,42	1,97	1,65		lb	3,97	
J4C-B20	12 VAC/VDC	F03-F04-F05	mm	181	55	123	130	169	110	51	M5	M5	M6	36	50	42	9 or 11 or 14	kg	1,8	FAEJ3L2025HH
			inch	7,13	2,17	4,84	5,12	6,65	4,33	2,01				1,42	1,97	1,65		lb	3,97	
J4C-S35	24 to 240 VAC/VDC	F03-F04-F05	mm	181	55	123	130	169	110	51	M5	M5	M6	36	50	42	9 or 11 or 14	kg	1,9	FAEJ3H3540HH
			inch	7,13	2,17	4,84	5,12	6,65	4,33	2,01				1,42	1,97	1,65		lb	4,19	
J4C-B35	12 VAC/VDC	F03-F04-F05	mm	181	55	123	130	169	110	51	M5	M5	M6	36	50	42	9 or 11 or 14	kg	1,9	FAEJ3L3540HH
			inch	7,13	2,17	4,84	5,12	6,65	4,33	2,01				1,42	1,97	1,65		lb	4,19	

		J4C-S20	J4C-S35
Voltage		24 a to 240 VAC/VDC -0/+5% 12 VDC/VAC 0/+5% Change the power supply PCB	24 a to 240 VAC/VDC -0/+5% 12 VDC/VAC 0/+5% Change the power supply PCB
Operation time unload		10 Sec./90°	10 Sec./90°
Maximum torque break	Nm	25	38
	lbf-ft	18,44	28,03
Maximum operational torque	Nm	20	35
	lbf-ft	14,75	25,81
Duty rating %		75,00%	75,00%
Working angle		0° TO 270°	0° TO 270°
Limit switch		4 SPDT NO micro (2 motor stop and 2 confirmations)	4 SPDT NO micro (2 motor stop and 2 confirmations)
Heater		3,5W	3,5W
Big Plugs		EN175301-803 FORM A	EN175301-803 FORM A
Small Plug		DIN43650/C	DIN43650/C
IP rating		IP-67	IP-67
Temperature	C°	-20°+70°	-20°+70°
	F°	-4° + 158°	-4° + 158°
Weight	kg	1,8	1,9
	lbs	3,97	4,19



**J4C ELECTRIC ACTUATOR (from DN20 up to DN25)**

- Housing: Anticorrosive polyamide (lid & body)
- Main external shaft: stainless steel
- External screws: stainless steel
- Gears: Steel and polyamide
- Visual position indicator: Polyamide
- Dome: Polycarbonate
- Adjustable internal cams: Polyamide
- Electric motor: 24VDS Brushless motor
- Insulation: Class B



**OPTIONS**

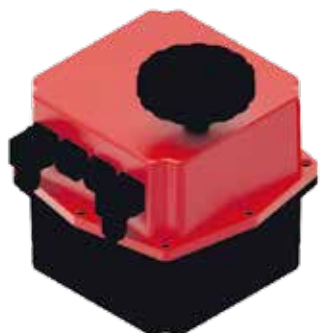
- J4C S20/S85 DPS 2015 digital positioner: 4-20mA, 0-20mA, 0-10V or 1-10V.
- J4C S20/S85 BSR 2015 emergency fail safe kit system by battery
- Digital potentiometer: 1K, 5K or 10K.
- 3 position actuator: 0o-45o-90o or 0o-90o-180°

TYPE	BALL VALVES	DN
J4C-55	GE-GHP-GN-GR-SB	20
J4C-85	GE-GHP-GN-GR-SB	25

## VALVE WITH ELECTRICAL ACTUATORS

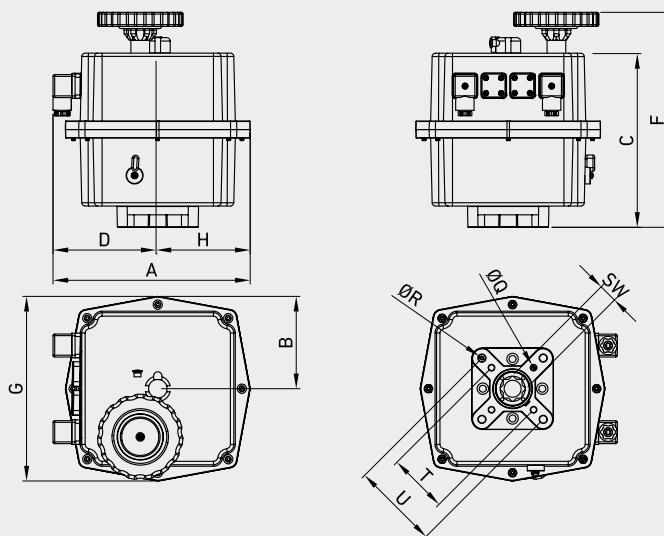
TYPE	VOLTAGE	ISO5211	A	B	C	D	F	G	H	ØQ	ØR	ØS	T	U	V	SW	WEIGHT	ITEM CODE		
J4C-S55	24 to 240 VAC/VDC	F05-F07	mm	181	55	148	130	196	110	51	M6	M8	-	50	70	-	11 or 14 or 17	kg	2,4	FAEJ3H5560HH
			inch	7,13	2,17	5,83	5,12	7,72	4,33	2,01				1,97	2,76			2,76	5,29	
J4C-B55	12 VAC/VDC	F05-F07	mm	181	55	148	130	196	110	51	M6	M8	-	50	70	-	11 or 14 or 17	kg	2,4	FAEJ3L5560HH
			inch	7,13	2,17	5,83	5,12	7,72	4,33	2,01				1,97	2,76			2,76	5,29	
J4C-S85	24 to 240 VAC/VDC	F05-F07	mm	181	55	148	130	196	110	51	M6	M8	-	50	70	-	11 or 14 or 17	kg	3	FAEJ3H8590HH
			inch	7,13	2,17	5,83	5,12	7,72	4,33	2,01				1,97	2,76			2,76	6,61	
J4C-B85	12 VAC/VDC	F05-F07	mm	181	55	148	130	196	110	51	M6	M8	-	50	70	-	11 or 14 or 17	kg	3	FAEJ3L8590HH
			inch	7,13	2,17	5,83	5,12	7,72	4,33	2,01				1,97	2,76			2,76	6,61	

		J4C-S55	J4C-S85
Voltage		24 a to 240 VAC/VDC -0/+5% 12 VDC/VAC 0/+5%	24 a to 240 VAC/VDC -0/+5% 12 VDC/VAC 0/+5%
Operation time unload		13sec/90°	29sec/90°
Maximum torque break	Nm	60	90
	lbf-ft	44,25	66,38
Maximum operational torque	Nm	55	85
	lbf-ft	40,57	62,69
Duty rating %		75,00%	75,00%
Working angle		0° TO 270°	0° TO 270°
Limit switch		4 SPDT NO micro (2 motor stop and 2 confirmations)	4 SPDT NO micro (2 motor stop and 2 confirmations)
Heater		3,5W	3,5W
Big Plugs		EN175301-803 FORM A	EN175301-803 FORM A
Small Plug		DIN43650/C	DIN43650/C
IP rating		IP-67	IP-67
Temperature	C°	-20°+70°	-20°+70°
	F°	-4° + 158°	-4° + 158°
Weight	kg	2,4	3
	lbs	5,29	6,61



**J4C ELECTRIC ACTUATOR (from DN32 up to DN50)**

- Housing:  
Body and cover: anticorrosive polyamide  
Main external shaft: stainless steel
- Fastening: stainless steel
- Gears: steel and polyamide
- Indicator: polyamide + glass filled
- Internal cams: polyamide + glass filled
- Electric motor: 24VDS Brushless motor
- Insulation: class B
- Service S4
- Duty range: 75%



**OPTIONS**

- DPS2005 digital positioner: 0÷20mA, 4÷20mA o 0÷10V
- Digital potentiometer kit: 1K, 5K and 10K
- BSR battery fail safe kit
- 3 positions: 0° 45° 90° / 0° 90° 180°

TYPE	BALL VALVES	DN
J4-140	GB-GHP-GN-GR-SB	32-40
J4-300	GB-GHP-GN-GR-SB	50

## VALVE WITH ELECTRICAL ACTUATORS

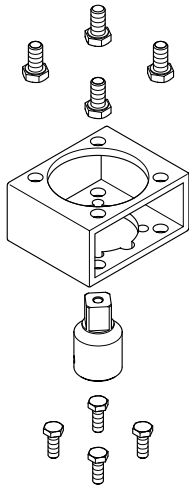
TYPE	VOLTAGE	ISO5211	A	B	C	D	F	G	H	ØQ	ØR	ØS	T	U	V	SW	WEIGHT	ITEM CODE	
J4C-S140	24 to 240 VAC/VDC	F07-F10	mm	235	107	205	128	254	214	107	M6	M8	-	70	102	-	17 or 22	kg 5,2	FAEJ3H140170HH
			inch	9,25	4,21	8,07	5,04	10,00	8,43	4,21				2,76	4,02			lb 11,46	
J4C-B140	12 VAC/VDC	F07-F10	mm	235	107	205	128	254	214	107	M6	M8	-	70	102	-	17 or 22	kg 5,2	FAEJ3L140170HH
			inch	9,25	4,21	8,07	5,04	10,00	8,43	4,21				2,76	4,02			lb 11,46	
J4C-S300	24 to 240 VAC/VDC	F07-F10	mm	235	107	205	128	254	214	107	M6	M8	-	70	102	-	17 or 22	kg 5,2	FAEJ3H300350HH
			inch	9,25	4,21	8,07	5,04	10,00	8,43	4,21				2,76	4,02			lb 11,46	
J4C-B300	12 VAC/VDC	F07-F10	mm	235	107	205	128	254	214	107	M6	M8	-	70	102	-	17 or 22	kg 5,2	FAEJ3L300350HH
			inch	9,25	4,21	8,07	5,04	10,00	8,43	4,21				2,76	4,02			lb 11,46	

		J4C-S140	J4C-S300
Voltage		24 a to 240 VAC/VDC -0/+5% 12 VDC/VAC 0/+5%	24 a to 240 VAC/VDC -0/+5% 12 VDC/VAC 0/+5%
Operation time unload		25sec/90°	48sec/90°
Maximum torque break	Nm	170	350
	lbf-ft	125,39	258,15
Maximum operational torque	Nm	140	300
	lbf-ft	103,26	221,27
Duty rating %		75,00%	75,00%
Working angle		0° TO 270°	0° TO 270°
Limit switch		4 SPDT NO micro (2 motor stop and 2 confirmations)	4 SPDT NO micro (2 motor stop and 2 confirmations)
Heater		3,5W	3,5W
Big Plugs		EN175301-803 FORM A	EN175301-803 FORM A
Small Plug		DIN43650/C	DIN43650/C
IP rating		IP-67	IP-67
Temperature	C°	-20°+70°	-20°+70°
	F°	-4° + 158°	-4° + 158°
Weight	kg	5,2	5,2
	lbs	11,46	11,46

**ACTUATORS KITS**

KIT WASHER  
ONLY FOR GN-GB VALVES

KIT ACTUATOR  
C0034406H FROM DN6 TO DN32  
C0034306H FOR DN40-DN50



TYPE	BALL VALVES	DN	MATERIAL	ISO5211	WEIGHT	ITEM CODE
AK65	SB	65-80	CARBON STEEL	F05 F07-F05	kg 0,74	K0C00AK651X
					lb 1,63	
AK32	SB	32-40	CARBON STEEL	F05 F07-F05	kg 0,60	K0C00AK321X
					lb 1,32	
AK40	GB-GHP-GN-GR-SB	32-40	CARBON STEEL	F05 F07-F05	kg 0,67	K0C00AK401X
					lb 1,48	
AK20	GE-GB-GHP-GN-GR-SB	20-25	CARBON STEEL	F05 F07-F05	kg 0,52	K0C00AK201X
					lb 1,15	
AK6	GE-GHP-GN-GR-SB	06-10-13	CARBON STEEL	F03-F03	kg 0,25	K0C00AK61X
					lb 0,55	
AK13	GE-GHP-GN-GR	13	CARBON STEEL	F03-F05	kg 0,31	K0C00AK131X
					lb 0,68	
AK100	GR-SB	100-125	CARBON STEEL	F10 F12-F12	kg 2,05	K0C00AK1001X
					lb 4,52	
AK50	GB-GHP-GN-GR-SB	50	CARBON STEEL	F05 F07-F05	kg 0,71	K0C00AK501X
					lb 1,57	
AK6S	GN	06-10-13	CARBON STEEL	F03 F05-F03 F05	kg 0,30	K0C00AK6S1X
					lb 0,66	

## J4C 20 CONSUMPTION

Voltage	Model		Unload		Max. Operational Torque 20Nm		Max. Torque Break 25Nm	
			A	W	A	W	A	W
12VDC	B20	Nm	0,75	9,06	1,8	21,6	1,95	23,36
		lbf-ft	0,55	6,68	1,33	15,93	1,44	17,23
24VDC	S20	Nm	0,45	10,77	0,9	21,49	0,97	23,39
		lbf-ft	0,33	7,94	0,66	15,85	0,72	17,25
48VDC	S20	Nm	0,21	9,93	0,42	20,38	0,46	22,07
		lbf-ft	0,15	7,32	0,31	15,03	0,34	16,28
110 VDC	S20	Nm	0,07	8	0,13	14,3	0,14	15,7
		lbf-ft	0,05	5,90	0,10	10,55	0,10	11,58
12VAC	B20	Nm	1,04	12,51	1,85	22,18	2,28	27,32
		lbf-ft	0,77	9,23	1,36	16,36	1,68	20,15
24VAC	S20	Nm	0,59	14,2	1,12	26,77	1,28	30,62
		lbf-ft	0,44	10,47	0,83	19,74	0,94	22,58
48VAC	S20	Nm	0,34	16,37	0,69	33,16	0,75	36,22
		lbf-ft	0,25	12,07	0,51	24,46	0,55	26,71
110 VAC	S20	Nm	0,14	15,73	0,27	29,52	0,3	32,67
		lbf-ft	0,10	11,60	0,20	21,77	0,22	24,10
240 VAC	S20	Nm	0,1	23,76	0,15	36,43	0,16	39,07
		lbf-ft	0,07	17,52	0,11	26,87	0,12	28,82

## J4C 35 CONSUMPTION

Voltage	Model		Unload		Max. Operational Torque 35Nm		Max. Torque Break 38Nm	
			A	W	A	W	A	W
12VDC	B35	Nm	0,75	9,06	2,38	28,62	2,62	31,5
		lbf-ft	0,55	6,68	1,76	21,11	1,93	23,23
24VDC	S35	Nm	0,45	10,77	1,28	30,78	1,37	32,79
		lbf-ft	0,33	7,94	0,94	22,70	1,01	24,18
48VDC	S35	Nm	0,21	9,93	0,56	26,72	0,59	28,2
		lbf-ft	0,15	7,32	0,41	19,71	0,44	20,80
110 VDC	S35	Nm	0,07	7,7	0,17	18,9	0,18	20,1
		lbf-ft	0,05	5,68	0,13	13,94	0,13	14,82
12VAC	B35	Nm	1,04	12,51	2,75	33	3,19	38,28
		lbf-ft	0,77	9,23	2,03	24,34	2,35	28,23
24VAC	S35	Nm	0,59	14,2	1,58	37,8	1,67	40,13
		lbf-ft	0,44	10,47	1,17	27,88	1,23	29,60
48VAC	S35	Nm	0,34	16,37	0,92	44,04	0,99	47,31
		lbf-ft	0,25	12,07	0,68	32,48	0,73	34,89
110 VAC	S35	Nm	0,14	15,73	0,36	39,45	0,38	41,87
		lbf-ft	0,10	11,60	0,27	29,10	0,28	30,88
240 VAC	S35	Nm	0,1	23,76	0,19	45,41	0,2	47,52
		lbf-ft	0,07	17,52	0,14	33,49	0,15	35,05

### J4C 55 CONSUMPTION

Voltage	Model		Unload		Max. Operational Torque 55Nm		Max. Torque Break 60Nm	
			A	W	A	W	A	W
12VDC	B55	Nm	0,7	8,45	3,04	36,43	3,42	41,05
		lbf-ft	0,52	6,23	2,24	26,87	2,52	30,28
24VDC	S55	Nm	0,42	10,19	1,55	37,17	1,63	39,02
		lbf-ft	0,31	7,52	1,14	27,42	1,20	28,78
48VDC	S55	Nm	0,2	9,72	0,61	29,25	0,67	32,31
		lbf-ft	0,15	7,17	0,45	21,57	0,49	23,83
110 VDC	S55	Nm	0,07	7,5	0,19	20,8	0,21	23,2
		lbf-ft	0,05	5,53	0,14	15,34	0,15	17,11
12VAC	B55	Nm	0,94	11,3	3,43	41,18	3,78	45,41
		lbf-ft	0,69	8,33	2,53	30,37	2,79	33,49
24VAC	S55	Nm	0,58	13,89	1,87	44,88	1,98	47,52
		lbf-ft	0,43	10,24	1,38	33,10	1,46	35,05
48VAC	S55	Nm	0,33	15,73	1,1	52,8	1,21	58,29
		lbf-ft	0,24	11,60	0,81	38,94	0,89	42,99
110 VAC	S55	Nm	0,14	15,73	0,4	43,8	0,43	46,95
		lbf-ft	0,10	11,60	0,30	32,31	0,32	34,63
240 VAC	S55	Nm	0,09	22,7	0,2	47,52	0,21	50,16
		lbf-ft	0,07	16,74	0,15	35,05	0,15	37,00

### J4C 85 CONSUMPTION

Voltage	Model		Unload		Max. Operational Torque -85Nm		Max. Torque Break -90Nm	
			A	W	A	W	A	W
12VDC	B85	Nm	0,62	7,42	2,11	25,34	2,28	27,32
		lbf-ft	0,46	5,47	1,56	18,69	1,68	20,15
24VDC	S85	Nm	0,36	8,55	1,08	25,87	1,22	29,3
		lbf-ft	0,27	6,31	0,80	19,08	0,90	21,61
48VDC	S85	Nm	0,17	8,24	0,48	22,92	0,53	25,56
		lbf-ft	0,13	6,08	0,35	16,90	0,39	18,85
110 VDC	S85	Nm	0,05	5,8	0,14	15,2	0,16	17,9
		lbf-ft	0,04	4,28	0,10	11,21	0,12	13,20
12VAC	B85	Nm	0,81	9,69	2,38	28,51	2,65	31,81
		lbf-ft	0,60	7,15	1,76	21,03	1,95	23,46
24VAC	S85	Nm	0,5	11,88	1,36	32,74	1,5	36,01
		lbf-ft	0,37	8,76	1,00	24,15	1,11	26,56
48VAC	S85	Nm	0,25	11,83	0,77	37,07	0,86	41,18
		lbf-ft	0,18	8,73	0,57	27,34	0,63	30,37
110 VAC	S85	Nm	0,12	12,83	0,31	33,64	0,33	36,54
		lbf-ft	0,09	9,46	0,23	24,81	0,24	26,95
240 VAC	S85	Nm	0,08	20,06	0,17	40,13	0,18	42,77
		lbf-ft	0,06	14,80	0,13	29,60	0,13	31,55



## J4C 140 CONSUMPTION

Voltage	Model		Unload		Max. Operational Torque -140Nm		Max. Torque Break -170Nm	
			A	W	A	W	A	W
12VDC	B140	Nm	1,93	23,1	4,73	56,76	5,39	64,68
		lbf-ft	1,42	17,04	3,49	41,86	3,98	47,71
24VDC	S140	Nm	0,66	15,84	2,15	51,48	2,53	60,72
		lbf-ft	0,49	11,68	1,59	37,97	1,87	44,78
48VDC	S140	Nm	0,3	14,25	0,88	42,24	1,1	52,8
		lbf-ft	0,22	10,51	0,65	31,15	0,81	38,94
110 VDC	S140	Nm	0,1	10,89	0,28	30,25	0,39	42,35
		lbf-ft	0,07	8,03	0,21	22,31	0,29	31,24
12VAC	B140	Nm	2,75	33	6,6	79,2	8,47	101,64
		lbf-ft	2,03	24,34	4,87	58,41	6,25	74,97
24VAC	S140	Nm	0,83	19,8	2,59	62,04	3,3	79,2
		lbf-ft	0,61	14,60	1,91	45,76	2,43	58,41
48VAC	S140	Nm	0,48	23,23	1,43	68,64	1,79	86,06
		lbf-ft	0,35	17,13	1,05	50,63	1,32	63,47
110 VAC	S140	Nm	0,23	25,41	0,63	68,97	0,72	78,65
		lbf-ft	0,17	18,74	0,46	50,87	0,53	58,01
240 VAC	S140	Nm	0,18	42,24	0,39	90,4	0,44	105,6
		lbf-ft	0,13	31,15	0,29	66,68	0,32	77,89

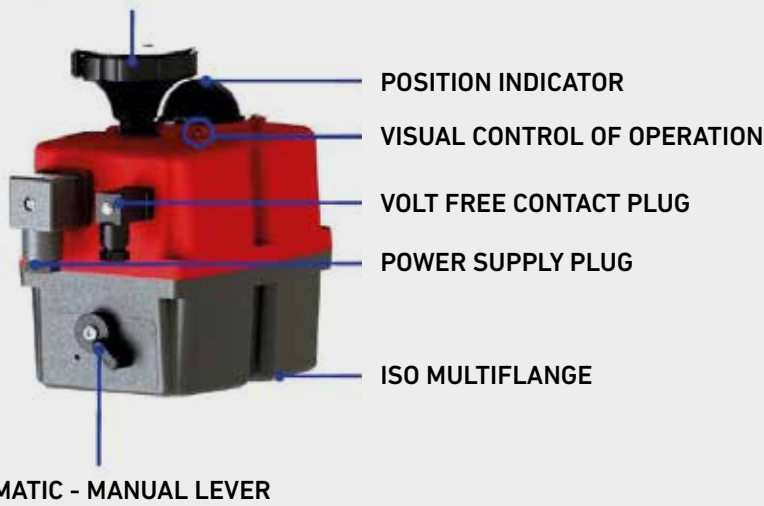
## J4C 300 CONSUMPTION

Voltage	Model		Unload		Max. Operational Torque -300Nm		Max. Torque Break -350Nm	
			A	W	A	W	A	W
12VDC	B300	Nm	1,32	15,84	5,17	62,04	5,45	65,34
		lbf-ft	0,97	11,68	3,81	45,76	4,02	48,19
24VDC	S300	Nm	0,5	11,88	2,31	55,44	2,7	64,68
		lbf-ft	0,37	8,76	1,70	40,89	1,99	47,71
48VDC	S300	Nm	0,22	10,56	1,1	52,8	1,19	57,02
		lbf-ft	0,16	7,79	0,81	38,94	0,88	42,06
110 VDC	S300	Nm	0,09	9,68	0,33	36,3	0,39	42,35
		lbf-ft	0,07	7,14	0,24	26,77	0,29	31,24
12VAC	B300	Nm	1,98	23,76	7,26	87,12	8,64	103,62
		lbf-ft	1,46	17,52	5,35	64,26	6,37	76,43
24VAC	S300	Nm	0,66	15,84	2,75	66	3,3	79,2
		lbf-ft	0,49	11,68	2,03	48,68	2,43	58,41
48VAC	S300	Nm	0,36	17,42	1,65	79,2	1,87	89,76
		lbf-ft	0,27	12,85	1,22	58,41	1,38	66,20
110 VAC	S300	Nm	0,19	20,57	0,66	72,6	0,77	84,7
		lbf-ft	0,14	15,17	0,49	53,55	0,57	62,47
240 VAC	S300	Nm	0,15	36,96	0,42	100,32	0,47	113,52
		lbf-ft	0,11	27,26	0,31	73,99	0,35	83,73

TECHNICAL DATA

ELECTRIC ACTUATOR

MANUAL OVERRIDE



3 WIRES ON - OFF

A = power supply plug

A: VAC 3 WIRES (Grey plug)

PIN 1 = Neutral + PIN 2 = Phase = Close

PIN 1 = Neutral + PIN 3 = Phase = Open

A: VDC 3 WIRES (Grey plug)

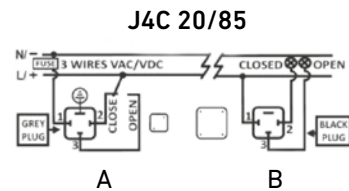
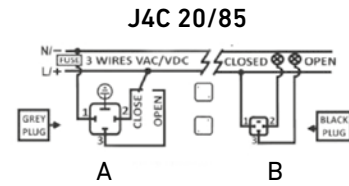
PIN 1 = (-) Negative + PIN 2 = Phase = Close

PIN 1 = (-) Negative + PIN 3 = Phase = Open

B: Volt free contact, plug

PIN 1 / PIN 2 = Close

PIN 1 / PIN 3 = Open



ON-OFF ACTUATOR	ACTUATOR OPERATIONAL STATUS											
Without power supply	Grey	Green	Green	Green	Green	Green	Green	Green	Green	Green	Green	Green
In open position	Green	Green	Green	Green	Green	Green	Green	Green	Green	Green	Green	Green
In close position	Red	Red	Red	Red	Red	Red	Red	Red	Red	Red	Red	Red
Opening	Yellow	Green	Green	Yellow	Green	Green	Yellow	Green	Green	Yellow	Green	Green
Closing	Yellow	Red	Red	Yellow	Red	Red	Yellow	Red	Red	Yellow	Red	Red
Torque limiter function on, moving from close to open	Green	Green	Green	Grey	Grey	Grey	Green	Green	Green	Grey	Grey	Grey
Torque limiter function on, moving from open to open	Red	Red	Red	Grey	Grey	Grey	Red	Red	Red	Grey	Grey	Grey
Actuator in manual mode (exceed time)	Yellow	Yellow	Yellow	Grey	Grey	Grey	Yellow	Yellow	Yellow	Grey	Grey	Grey
The actuators has stopped (no close/no open position)	Purple	Purple	Purple	Purple	Purple	Purple	Purple	Purple	Purple	Purple	Purple	Purple
In middle position	Yellow	Yellow	Yellow	Yellow	Yellow	Yellow	Yellow	Yellow	Yellow	Yellow	Yellow	Yellow

## 2 WIRES ON - OFF

A = power supply plug

A: VDC 2 WIRES (Grey plug)

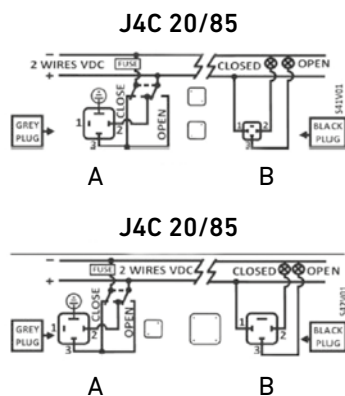
PIN 2 = (+) Positive + PIN 3 = (-) Negative = Close

PIN 2 = (-) Negative + PIN 3 = (+) Positive = Open

B: Volt free contact, plug

PIN 1 / PIN 2 = Close

PIN 1 / PIN 3 = Open



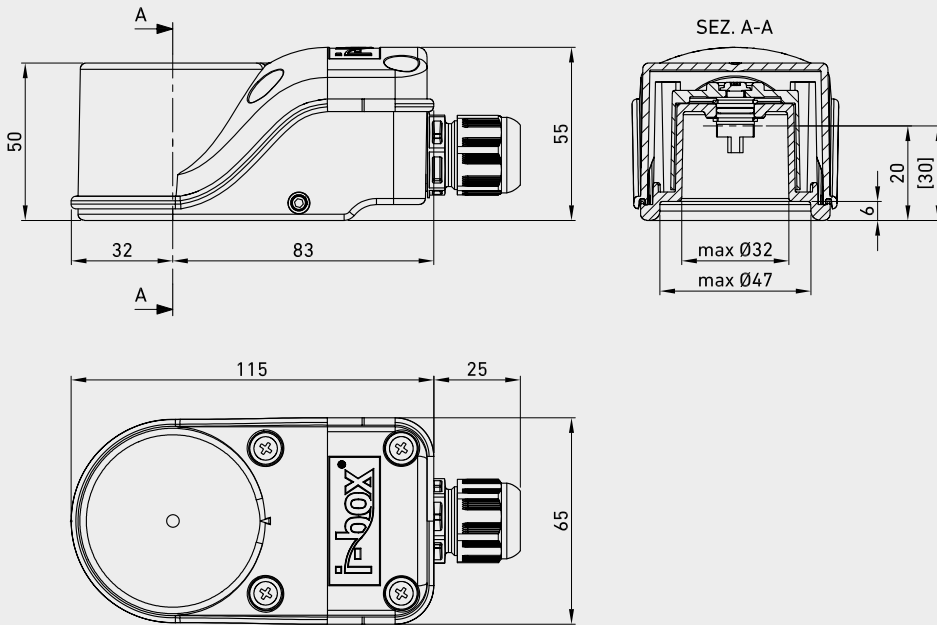


# LIMIT SWITCH

Edition. 21.4

ACTUATED /  
MANUAL  
VALVES



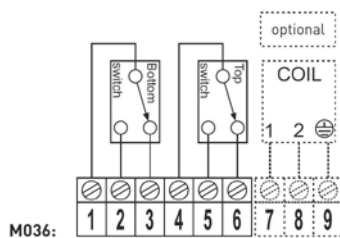


IP

CODE	DESCRIPTION	HOLES
FA1AAAAA010AA0H	Limit switch IP2M01	80x30

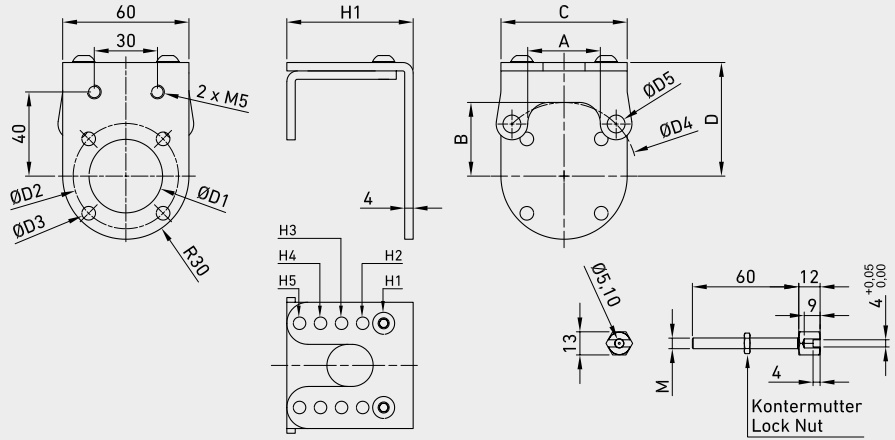
DESCRIPTION

- Very compact limit switch box polyamide PA6
- Transparent polycarbonate cover with integrated large OPEN-CLOSED indicator (Optional 2D indicator for L- or T-bores)
- Direct mounting without mounting bracket on actuators according to VDI/VDE 3845: Hole spacing: 80 x 30mm Shaft heights: 20
- Easy and time-saving fastening system
- Enclosure IP66 + IP67 according to DIN EN 60529
- (tested by external test laboratory)
- Cable gland M20x1,5 black (for cable Ø 6-12mm)
- Sealings TPE and NBR, Screws AISI 304, Stainless steel Shaft AISI 303
- Application: Standard applications without explosive atmosphere.
  - 1-2 mechanical switches
  - 1-2 proximity sensors in V3 design
- Atex available on request



LIMIT SWITCH

KITS



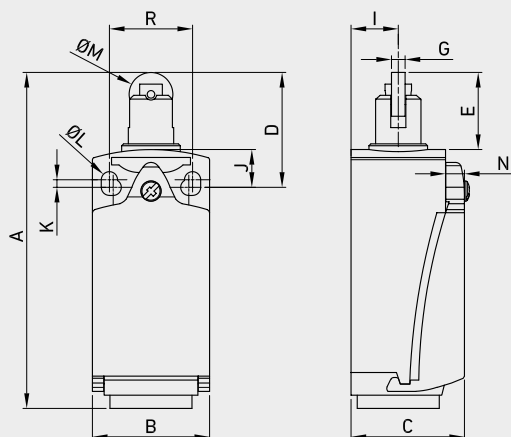
IP

CODE	BALL VALVES	DN
K07A0018421000H	GE-GPK-G3K/G4K	DN6 DN10 DN13
K07A0018121000H	GE-GPK-G3K/G4K	DN20
K07A0018121000H	GE-GPK	DN25
K07A0019521000H	GB-GPK	DN32 DN40 DN50

QUOTE		K07A0018421000H	K07A0018121000H
A	mm	16	24,36
	inch	0,63	0,96
B	mm	20	15
	inch	0,79	0,59
C	mm	60	60
	inch	2,36	2,36
D	mm	54	54
	inch	2,13	2,13
D1	mm	35,5	35,5
	inch	1,40	1,40
D2	mm	50	50
	inch	1,97	1,97
D3	mm	6,5	6,5
	inch	0,26	0,26
D4	mm	36	50
	inch	1,42	1,97
D5	mm	5,3	6,5
	inch	0,21	0,26
H1	mm	60	60
	inch	2,36	2,36
H2	mm	70	70
	inch	2,76	2,76
H3	mm	80	80
	inch	3,15	3,15
H4	mm	90	90
	inch	3,54	3,54
H5	mm	100	100
	inch	3,94	3,94

DESCRIPTION

- This mounting kit helps you to add a position feedback in form of a limit switch box to your manual valve. The mounting kit includes the following parts:
- Upper part with F05 flange and hole spacing 80x30mm e.g. for i-box assembly
- Bottom part matching the ISO top flange of the valve (F03-F05)
- Drive screw (M4-M6-M8), length: 60mm
- Lock nut for height fixation
- All parts stainless steel AISI 304 or AISI 303



## OSISWITCH METAL

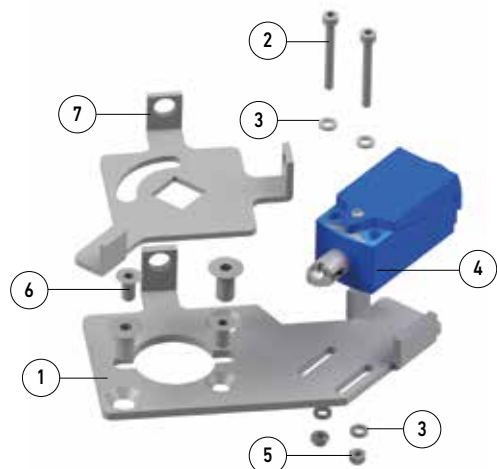
CODE	DESCRIPTION	A	B	C	D	E	F	G	H	J	K	L	M	N	WEIGHT	ITEM CODE
FLSXCKDZCE02HH	AC 15 240V 3A ITH 10A	mm 99,5	31	30	30	20,6	12,5	3	22	9,41	1,91	2	5,8	5	kg 5,2	FLSXCKDZCE02HH
		inch 3,92	1,22	1,18	1,18	0,81	0,49	0,12	0,87	0,37	0,08	0,08	0,23	0,20	lb 11,46	

### DESCRIPTION

- Ambient air temperature:  
- operation: -25°C to +70°C - storage: -40°C to +70°C
- Vibration resistance: conforming to IEC 60068-2-6
- Shock resistance: conforming to IEC 60068-2-27
- Electric shock protection:  
• Class II conforming to IEC 61140 and NF C 20-030 for XCKP and XCKT  
• Class I conforming to IEC 61140 and NF C 20-030 for XCKD
- Degree of protection: IP66 and IP67 conforming to IEC 60529; IK4 conforming to EN50102 for XCKP and XCKT, IK06 conforming to EN50102 for XCKD
- Repeat accuracy: 0,1mm on the tripping points, with 1 million operating cycles for head with end plunger
- Material: metal

### LIMIT SWITCH OSISWITCH METAL KITS

CODE	BALL VALVES	DN
KOM00LS6EHH	GE - GV	DN6 DN10 DN13
KOM00LS6NHH	GN	DN6 DN10 DN13
KOM00LS20EHH	GE - GV	DN20 DN25
KOM00LS20NHH	GN	DN20 DN25
KOM00LS32BHH	GB - GV	DN32 DN40 DN50
KOM00LS32NHH	GN	DN32 DN40 DN50



POS	DESCRIPTION	Q.TY
1	Lower bracket	1
2	T.C.E.I. screw	2
3	Washer	4
4	Limit switch compact metal	1
5	Stem	2
6	Bonnet	4
7	Cover Plate	1

### UNIVERSAL, XCKD METAL




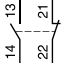
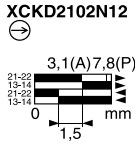
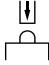

- XCKD with 1 cable entry**  
Conforming to CENELEC EN 50047
- XCKD with head for linear movement (plunger)**  
Mounting by the head or by the body

#### Environment characteristics

Conforming to standards	Products Machine assemblies	IEC 60947-5-1, EN 60947-5-1, UL 508, CSA C22-2 n° 14 IEC 60204-1, EN 60204-1
Product certifications		UL, CSA, CCC
Protective treatment	Standard version	"TC"
Ambient air temperature	Operation	-25 ... +70 °C (-13 ... +158 °F)
	Storage	-40 ... +70 °C (-40 ... +158 °F)
Vibration resistance	Conforming to IEC 60068-2-6	25 gn (10 ... 500 Hz) except switch with head ZCE 24: 20 gn
Shock resistance	Conforming to IEC 60068-2-27	50 gn (11 ms) except heads ZCE08: 15 gn (11 ms) and ZCE24: 30 gn (18 ms)
Electric shock protection		Class I conforming to IEC 61140 and NF C 20-030 for <b>XCKD</b>
Degree of protection		IP 66 and IP 67 conforming to IEC 60529; IK 06 conforming to EN 50102 for XCKD
Repeat accuracy		0.1 mm on the tripping points, with 1 million operating cycles for head with end plunger
Cable entry or integral connector	Depending on model	Either: tapped entry for PG 11 or PG 13 conduit thread, tapped ISO M16 x 1.5 or ISO M20 x 1.5, tapped 1/2" NPT, tapped PF 1/2 (G1/2) or integral M12 connector
Materials		<b>XCKD</b> : Zamak® bodies and heads



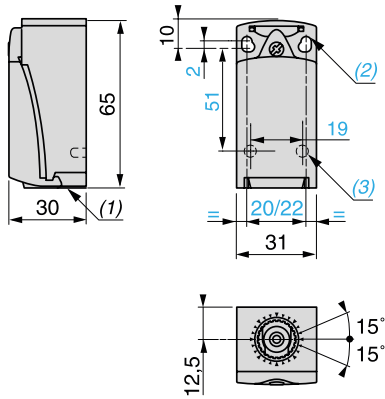
UNIVERSAL, XCKD-COMPLETE UNITS WITH 1/2" NPT CABLE ENTRY

Type of head	Plunger (mounting by the body)		
	Form C (1)		
			
Type of operator	Steel roller plunger		
Catalog Numbers (2) (3)	XCKD2102N12		
	2-pole N/C + N/O snap action (XE2S P2151)		
<b>Characteristics</b>			
Switch actuation	On end	By 30° cam	
Type of actuation			
Maximum actuation speed	0.5 m/s (1.64 ft/s)		
Minimum force or torque	Far tripping	15 N (3.37 lb)	12 N (2.70 lb)
	For positive opening	45 N (10.12 lb)	36 N (8.09 lb)
Cable entry (3)	1 entry tapped M16 x 1.5 mm for ISO cable entry, clamping capacity 4 to 8 mm (0.16 to 0.31 in.)		

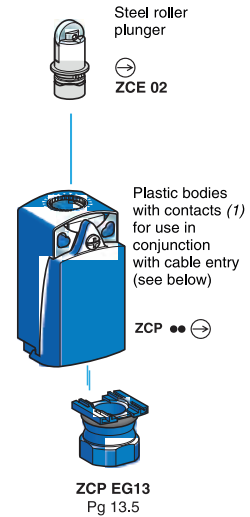
1. Form conforming to EN 50047, contact our customer service.
2. Switches with gold contacts or ring type connections: please consult your local sales office.
3. For any entry tapped for a PG 11 conduit thread, replace N12 in the catalog number G1. Examples: XCKD2110N12 becomes XCXD2110G11, ZCDEN12 becomes ZCDEG11.

UNIVERSAL, XCKD-COMPLETE UNITS WITH 1/2" NPT CABLE ENTRY

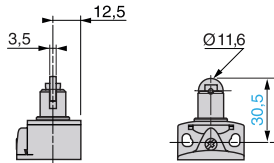
ZCD2• + ZCDEN12 / ZCD3• + ZCDEN12



UNIVERSAL, XCKD



ZCE02



1. Tapped entry for ISO M16 x 1.5 or PG 11 conduit thread.
2. 2 elongated holes  $\varnothing 4.3 \times 6.3$  mm (0.17 x 0.25 in.) on 22 mm (0.87 in.) centers, 2 holes  $\varnothing 4.3$  mm (0.17 in.) on 20 mm (0.79 in.) centers.
3. 2 x  $\varnothing 3$  holes for support studs, depth 4 mm (0.16 in.).
4. Mounting nut thickness 3.5 mm (0.14 in.).

1. For further details, contact our customer service.
2. Cannot be used on bodies: ZCD21, ZCP21, ZCT21, ZCD29, ZCP29, ZCD31, ZCP31, ZCD39, ZCP39, ZCD2•M12, ZCP2•M12







# TECH

One of **GEMELS** main focus is the quality. There is a quality laboratory with different machines, like Climatic Room, Burst Test Machine, Impulse Test Machine, Salt Spray Machine, Tridimensional check and many others. Every day we run several tests on 100% of the pieces of the valves that we produce. **GEMELS** can run also NDT test and other special tests according to customers' requests. In **GEMELS** assembling department we have also test benches. Thanks to our over 50 years' experience, we can help our customers to select the correct suitable solution and product for their application, depending on materials, services and other requirements and needs.

Edition. 21.0

**CHEMICAL RESISTANCE TO FLUIDS**

	Materials resistance to fluids		Ball seats - Chemical resistance to fluids				
	Steel	Stainless Steel	PEEK	POM	PTFE	GEMPTFE	PA612
<b>A</b>							
Acetamide 50%	-	-	-	-	A	A	A
Acetic acid conc.	B	A	A	B	A	A	C
Acetic acid 10%	-	-	A	A	A	A	C
Acetic acid 5%	-	-	A	A	A	A	A
Acetic acid ethyl ester	B	A	A	A	A	A	B
Acetone	A	A	-	-	-	-	-
Acetylene (ethin)	A	A	A	A	A	A	B
Air	A	A	A	A	A	A	B
Ammonium chloride	C	A	B	B	A	A	B
Ammonia 10%	A	A	A	A	A	A	A
Amyl Alcohol	-	A	B	-	A	A	-
Aniline	B	A	A	A	A	A	B
Argon, gaseous	A	A	A	A	A	A	A
ATE brake fluid	A	A	A	A	A	A	A
<b>B</b>							
Beer	-	A	B	A	A	A	-
Beet sugar juice	B	A	A	A	A	A	A
Benzene	A	A	A	A	A	A	B
Benzine, leaded	A	A	A	A	A	A	A
Bitumen	A	A	-	A	A	A	B
Borax	B	B	A	A	A	A	A
Boric acid 10%	-	B	A	A	A	A	A
Brine	B	A	A	A	A	A	A
Bromine	-	A	B	-	A	A	-
Butane	A	A	A	A	A	A	A
Butylacetate	-	-	-	A	A	A	A
Butylene glycol	-	-	A	-	-	-	-
<b>C</b>							
Calcium chloride 10%	-	B	A	A	A	A	A
Carbon dioxide, dry	A	A	A	-	A	A	-
Carbon dioxide, wet	A	A	A	-	A	A	A
Carbon disulphide	-	-	A	-	A	A	-
Carbonlineum	-	-	A	-	A	A	-
Carbon tetrachloride	-	-	A	A	A	A	A
Chlorine 100°C	B	B	B	-	A	A	-
Chlorine water	-	A	B	-	A	A	-
Chlorobenzene	-	-	A	-	B	B	-
Chloroform	B	A	-	C	A	A	B
Chromic acid	-	B	B	-	A	A	-
Citric acid 10%	C	B	A	A	A	A	B
Clophen A 80 50%	-	-	-	A	A	A	A
Coconut oil	-	B	A	-	A	A	B
Coffee	-	B	A	-	A	A	-
Copper sulphate	-	-	-	-	A	A	A
Cyclohexane	-	-	A	A	A	A	A
Cyclohexanol	B	A	-	A	A	A	B
Cyclohexanone	-	-	-	-	-	-	-

	Materials resistance to fluids		Ball seats - Chemical resistance to fluids				
	Steel	Stainless Steel	PEEK	POM	PTFE	GEMPTFE	PA612
<b>D</b>							
Diacetone alcohol	-	A	B	-	A	A	-
Diesel oil	A	A	A	A	A	A	B
Dichlorbenzene	-	A	B	-	A	A	B
Diethylene glycol	B	A	A	A	A	A	-
Dimethylformamide	-	-	A	A	C	C	C
Dimethyl Ketone (acetone)	B	A	A	-	A	A	-
Diethylphthalate	-	-	-	A	A	A	A
Dioxan	-	-	A	B	A	A	A
<b>E</b>							
Edible oil, Edible fat	-	-	A	-	A	A	A
Ethandiol	B	A	-	-	A	A	B
Ethane	B	B	-	A	A	A	A
Ethanol 96%	B	A	A	A	A	A	A
Ether	A	A	-	B	A	A	-
Ethyl Acetate	B	B	A	B	A	A	B
Ethyl alcohol	B	A	A	A	A	A	B
Ethyl benzene	A	A	A	A	A	A	B
Ethylene	B	A	A	A	A	A	B
Ethylene glycole	B	A	A	B	A	A	B
Ethylene trichloride (Tri)	B	A	A	B	A	A	B
Ethylene Chloride	-	-	B	C	A	A	B
<b>F</b>							
Fatty acids 100°C	C	A	A	A	A	A	-
Fatty acids 200°C	C	A	B	-	A	A	-
Ferric chloride	C	A	B	-	A	A	A
Flue gas	B	A	A	A	A	A	A
Formaldehyde 30%	C	A	A	A	A	A	A
Formamide	-	-	-	-	A	A	A
Formic acid 10%	C	B	A	A	A	A	C
Freon 11,13,14,32	B	A	B	-	A	A	B
Freon 22,31,114,115	B	A	B	-	A	A	B
Frigen	-	-	C	-	-	-	-
Fruit juices	C	A	A	-	A	A	A
Fuel oil	B	A	A	-	A	A	B
<b>G</b>							
Gasoline	A	A	A	A	A	A	A
Gelatine	-	A	A	A	A	A	A
Glucose	B	A	A	A	A	A	B
Glycerine	B	A	A	A	A	A	A
Glycol	B	A	A	A	A	A	B
Glycol acids	-	A	A	-	A	A	-
Glystantin 40%	-	-	A	A	A	A	A
Grease	A	A	A	A	A	A	A

**CHEMICAL RESISTANCE TO FLUIDS**

	Materials resistance to fluids		Ball seats - Chemical resistance to fluids				
	Steel	Stainless Steel	PEEK	POM	PTFE	GEMPTFE	PA612
<b>H</b>							
Helium, gaseous	A	A	A	A	A	A	A
Heptane	B	A	A	A	A	A	A
Hexane	B	B	A	A	A	A	A
Hydrochloric acid 36%	-	-	A	-	A	A	-
Hydrochloric acid 2%	-	A	A	-	A	A	-
Hydrofluoric acid	-	-	C	-	A	A	-
Hydrogen peroxide 30%	C	B	B	C	A	A	C
Hydrogen peroxide 0,5%	-	-	A	A	A	A	C
Hydrogen sulphide	-	-	A	-	A	A	-
<b>I</b>							
Ink	C	A	A	A	A	A	
Isobutylalcohol	B	B	B	-	A	A	-
Isocyanat	A	A	A	A	A	A	B
Isooctane	A	A	A	-	A	A	B
Isopropanol	-	-	A	A	A	A	A
Isopropylalcohol	B	B	B	B	A	A	B
<b>K</b>							
Kerosene	B	A	A	B	A	A	B
<b>L</b>							
Lactic acid 90%	-	-	A	A	A	A	C
Lactic acid 10%	-	-	A	A	A	A	A
Linseed oil	A	B	A	A	A	A	A
<b>M</b>							
Magnesium chloride	B	B	A	A	A	A	B
Margarine	-	A	A	A	A	A	A
Menthol	-	B	A	-	A	A	-
Mercury	A	A	A	A	A	A	A
Merury dichloride	-	B	B	-	A	A	A
Mercury monochloride	-	B	B	-	A	A	-
Methane	A	A	A	A	A	A	A
Methanol	B	A	A	A	A	A	A
Methyl ethyl ketone	-	-	A	B	A	A	A
Methylene chloride	B	A	A	B	A	A	C
Milk	-	A	A	A	A	A	
Motor oil/Engine oil	-	-	A	A	-	-	-
<b>N</b>							
Naphta (stone-oil)	B	A	A	A	A	A	A
Naphtalene	B	B	A	A	A	A	A
Neon, gaseous	A	A	A	A	A	A	A
Nitric acid 2%	B	B	A	C	A	A	C
Nitrobenzene	B	A	A	-	A	A	B



	Materials resistance to fluids		Ball seats - Chemical resistance to fluids				
	Steel	Stainless Steel	PEEK	POM	PTFE	GEMPTFE	PA612
<b>O</b>							
Octane	-	A	A	A	A	A	A
Oleic acid 100°C	B	A	A	A	A	A	A
Oleic acid 200°C	-	A	B	-	A	A	-
Olive oil	A	A	A	A	A	A	A
Oxygen, gaseous 60°C	B	A	A	A	A	A	-
Oxalic acid 10%	-	-	A	C	A	A	B
Ozone	B	A	A	C	A	A	B
<b>P</b>							
Paraffin oil	-	A	A	A	A	A	B
Pectin	-	A	B	-	A	A	-
Perchloroethylene	A	A	A	A	A	A	B
Petroleum white spirit	A	A	A	-	A	A	C
Phenol, aqueous	-	A	A	C	A	A	C
Phosphoric acid 10%	-	A	A	B	A	A	C
Potassium carbonate	-	A	A	-	A	A	-
Potassium hydroxide solution 50%	-	-	A	A	A	A	A
Potassium hydroxide solution 10%	-	-	A	A	A	A	A
Potassium dichromate 10%	-	-	A	A	A	A	-
Potassium permanganate 1%	-	-	A	A	A	A	C
Potassium sulphate	B	B	B	A	A	A	A
Propane	B	A	A	A	A	A	B
Propanol	-	-	A	A	-	-	-
Propylene	A	A	A	A	A	A	A
Pyridene	-	-	-	A	A	A	-
P-3 Solution aqueous	-	-	-	A	-	-	-
<b>S</b>							
Salicylic acid			-	-	A	A	A
Sea water	-	A	A	A	A	A	-
Silicone oil	A	A	A	A	A	A	A
Soap solution	-	-	A	A	A	A	A
Soda solution 10%	-	-	A	-	-	-	-
Sodium bisulphite	-	-	A	C	A	A	-
Sodium carbonate 10%	-	A	A	A	A	A	A
Sodium Chloride 10%	B	B	A	A	A	A	A
Sodium Hydroxide solution 50%	B	B	A	-	A	A	C
Sodium Hydroxide solution 10%	B	A	A	-	A	A	B
Sodium nitrate 10%	B	A	-	A	A	A	A
Sodium thiosulphate	B	A	-	A	A	A	A
Solvent	A	A	A	B	A	A	B
Soybean-oil	A	A	A	A	A	A	A
Steam 150°C	B	A	A	-	A	A	-
Styrene	-	-	A	-	A	A	-
Sulphuric acid 98%	B	B	C	C	A	A	-
Sulphuric acid 2%	B	A	A	A	A	A	-

**CHEMICAL RESISTANCE TO FLUIDS**

	Materials resistance to fluids		Ball seats - Chemical resistance to fluids				
	Steel	Stainless Steel	PEEK	POM	PTFE	GEMPTFE	PA612
<b>T</b>							
Tar	A	A	A	-	A	A	B
Tartaric acid	-	-	A	B	A	A	A
Tetrahydrofuran	-	-	-	B	A	A	A
Tetrahydronaphthalene	-	-	B	-	-	-	-
Thermo-oil 200°C	A	A	A	-	A	A	-
Thermo-oil 250°C	A	A	A	-	-	-	-
Ticture of iodine	-	-	A	-	A	A	C
Toluene	A	A	-	-	A	A	B
Triethanolamine	-	-	-	A	-	-	-
Trichloroethylene	A	A	A	C	A	A	B
Trilon B 10%	-	-	-	-	A	A	A
Turpentine	B	A	A	A	A	A	A
<b>U</b>							
Urea aqueous	-	B	A	A	A	A	B
<b>V</b>							
Vaseline	B	A	A	A	A	A	A
Vegetable oil	-	A	A	B	A	A	B
Vinegar ( 5...10% feed vinegar)	C	A	A	A	A	A	B
Vinyl chloride	B	B	B	B	A	A	B
<b>W</b>							
Water, cold	A	A	A	A	A	A	A
Water, distilled	A	A	A	A	A	A	B
Water, hot	A	A	A	B	A	A	B
Wax, molten	A	A	A	A	A	A	A
Wine, brandy	C	A	A	A	A	A	A
<b>X</b>							
Xylene	B	A	A	A	A	A	B
<b>Z</b>							
Zinc chloride 10%	C	B	A	A	A	A	B

**LEGEND**

A	Resistant
B	Limited resistance
C	Not resistant
-	Data not available

All the data refer to a temperature of 20°C and are not binding. These data represent the state of the art of our knowledge, and have the scope of giving information on our products and their possible applications. These data have not a legally binding guarantee regarding the chemical resistance and the suitability for a specific application. Standard tests are done in a standard conditioned atmosphere 23/50 as stated in DIN 50014. For any specific applications we recommend a practical test for the suitability.

## BALL SEATS - MAIN MATERIALS & SPECIFICATIONS



**PA612 (Polyamide):**

Polyamides are well proven engineering polymers with very interesting properties and a favourable price. They are characterized by high mechanical stability values combined with excellent impact strength. They have an above average wear rate. The different types of polyamides are distinguished by an international identification system based on the number of carbon atoms per monometer.



**PTFE (Polytetrafluoroethylene):**

Above the melting point of +327°C, PTFE changes into a gellike state. Its high viscosity excludes the possibility of thermoplastic processing by traditional methods, such as injection moulding and screw extrusion. PTFE is cold extruded and subsequently sintered. Due to its unique combination of outstanding characteristics, PTFE can be called an engineered polymer of outstanding quality.



**PEEK (Polyether etherketone):**

Semi-finished products are based on polyether etherketone as the raw material, a linear, aromatic polymer. It is an ideal material for applications where high performance is demanded under extreme conditions with regard to temperature, chemicals, high powered radiation and non-flammable, etc.



**GEMPTFE and RPTFE:**

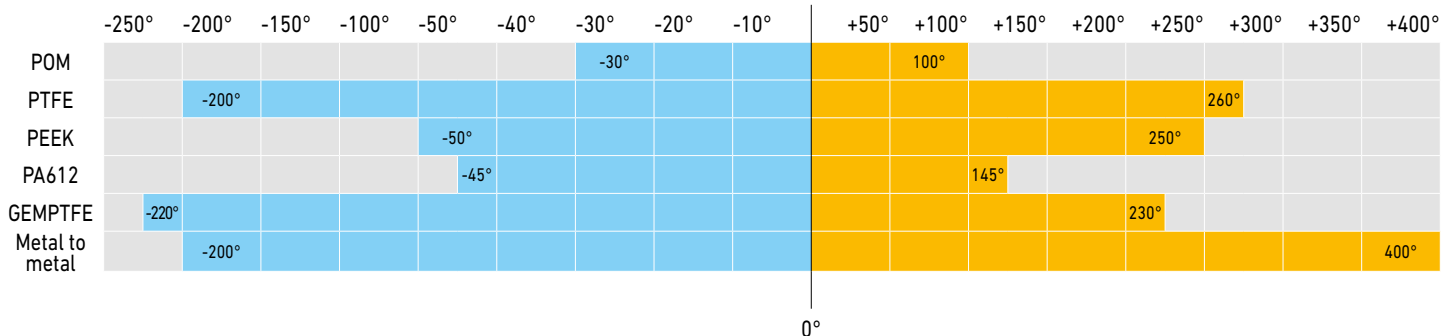
GEMPTFE and RPTFE seals are made with the same procedure of PTFE, but the solution is provided by using special fillers; 25% of glass blue pigment for GEMPTFE and 25% carbongraphite for RPTFE that creates a major mechanical resistance.



**POM (Polyoxymethylene):**

A highly crystalline thermoplastic with special importance as a technical plastic. POM combines a high level of hardness and form stability with a high resistance to impact. Accordingly, it's a highly suitable for the construction of precision machinery and apparatus. It has remarkable sliding properties.

**Maximum and minimum admissible working temperatures for seals ball**



**■ BALL SEATS PHYSICAL PROPERTIES OF PLASTIC MATERIAL FOR TECHNICAL USE**

Propertles			Test method	Unit	PA	PEEK	POM	PTFE	GEMPTFE	
Specific gravity			DIN 53479	g/cm <sup>3</sup>	1,14	1,31	1,41	2,18	2,19	
Water absorption			Standard climate at +23°C/50% U.R.	%	2,6	0,2	0,2	<0.01	<0.01	
			in water at +23° C	%	9	0,45	0,85	<0.01	<0.01	
Tensile strength 0s	tr		DIN 53455	N/mm <sup>2</sup>	76	110	68	~30	~31	
	lf		DIN 53455	N/mm <sup>2</sup>	45		68			
Tensile ultimate elongation ER	tr		DIN 53455	%	>50	20	35	350	350	
	lf		DIN 53455	%	>100		35			
Tensile modulus of elasticity	tr		DIN 53457	N/mm <sup>2</sup>	3250	4400	3100	550	550	
	lf		DIN 53457	N/mm <sup>2</sup>	1400		3100			
Admissible compression load /with E 2%)( E 1% for rptfe)			lf DIN 53444 (ASTM D 695)	N/mm <sup>2</sup>	15	57	26	5	5	
Deformation under load			ASTM D 621						15	15
Permanent deformation			ASTM D 622						8,1	8,2
Shock proof resistance	Charpy	tr	DIN 53453	kJ/m <sup>2</sup>	5,5	3,5	7	16	16	
	Izod	lf	DIN 53453	kJ/m <sup>2</sup>	15		7			
Brine/I hardness /3)			tr	ISO 2039-1	N/mm <sup>2</sup>	150	230	140	27	27
Hardness			ASTM D 2240						55	55
Rockwell Hardness (4)			lf	ISO2039-2	M85	M105	M84			
Transversal resistivity /5)			tr	DIN 53481/0303 T2	kV/mm	25	24	20	1018	1018
			lf		kV/mm	16		20		
Surface resistivity			tr	DIN 53482/0303 T3	Ω*cm	>1014	1016	>1014	1017	1017
			lf		Ω*cm	>1014		>1013		
Surface resistivity			tr	DIN 53482/0303 T3	Ω	>1013	1016	>1013		
			lf		Ω	>1012		>1013		
Dielectric constant E	100Hz	lf	DIN 53483/0303 T4		3,9	3,2	3,8	2,1	2,1	
		lf			7,4		3,8			
	1MHz	tr	DIN 53483/0303 T4		3,3	3,2	3,8	2,1	2,1	
		lf			3,8		3,8			
Dielectric loss factor tan&	100Hz	tr	DIN 53483/0303 T4		0,019	0,001	0,003	<0.0003	<0.0003	
		lf			0,13		0,003			
	1MHz	tr	DIN 53483/0303 T4		0,021	0,002	0,008	<0.0003	<0.0003	
		lf			0,06		0,008			
Leakage current resistance tr+lf			tr+lf	IEC 112/0303 T1	CTI	600	150	600	600	600
Melting point				DIN 53736	°C	220	340	165	327	327
Thermal conductivity				DIN 52612	W/(K.m)	0,28	0,25	0,31	0,23	0,24
Linear thermal expansion coefficient	+23°C a +60°C			DIN 52328	1/K·10 <sup>-6</sup>	90	50	110	160	160
	+60°C a +100°C				1/K·10 <sup>-6</sup>	105	50	125	180	180
Deflection temperature under load /HOT)				DIN 53461	°c	70	160	105		
Working temperature /HOT)	for cont. service				°c	85	250	115	+260	+260
	for short period				°c	160	310	140	+280	+280
Low temperature resistance					°c	-40	-60	-50	-200	-200
Flame resistance	oxygen index			ASTM 4589	%	25	35	15	95	95
				UL 94	classe	HB	V-0	HB		
Friction coefficient μ				dynamic		0.40-	0.25-	0.30-		
						0.60	0.50	0.45		
Static friction coefficient								0.05-	0.05-	
								0.10	0.11	
Dynamic friction coefficient				ASTM D 3702				0.06-	0.06-	
								0.08	0.09	
Wear rate				ASTM D 3702	μm/km	19	28	45		

## ■ BALL SEATS CHEMICAL RESISTANCE

Material	Abbreviation	Remarks	Maxim um Admissible constant	Temp.(Water)°C Short Term
Polyvinylidene Fluoride	PVDF	Resistent to acids, solution of salts, aliphatic, aromatic and chlorinated hydrocarbons, alcohols and halogens. Conditionally suitable for ketones, esters, organic bases and alkaline solutions.	140°	150°
Polyoxymethylene	POM	Resistent to most solvents and hydrous alkalis. Unsuitable for acids.	100°	140°
Polytetrafluoroethylene	PTFE	Resistant to all chemicals in the list.	250°	300°
Nitrile Rubber	NBR	Good resistance to oil and petrol. Unsuitable for materials subject to oxidation.	90°	120°
Butyl Rubber	EPDM	Good resistance to ozone and weather.	90°	120°
Ethylene Propylene Rubber		Especially suitable for gressive chemicals. Unsuitable for oils and fats.		
Fluorine Rubber	FPM	It has been chemical resistance to solvent of all elastomers.	150°	200°
Polytetrafluoroethylene Special Gemels seals	GEMPTFE	Resistant to all chemicals in the list, possibility use also high pressure.	250°	300°

SEATS MAXIMUM PRESSURE

PRESSURE-TEMPERATURE CHART



SEATS PA612  
O-RING NBR (GB)

DN6	PN500
DN10	PN500
DN13	PN500
DN20	PN400
DN25	PN350
DN32-40-50	PN500



SEATS POM  
O-RING NBR (AB)

DN6	PN500
DN10	PN500
DN13	PN500
DN20	PN400
DN25	PN350
DN32-40-50	PN500



SEATS PTFE  
O-RING NBR (GB) DVGW

DN6	PN100
DN10	PN100
DN13	PN100
DN20	PN100
DN25	PN100



SEATS PEEK  
O-RING NBR (DB)

DN6	PN500
DN10	PN500
DN13	PN500
DN20	PN400
DN25	PN350
DN32	PN350
DN40	PN350
DN50	PN350



SEATS PTFE  
O-RING NBR (CB)

DN6	PN350
DN10	PN350
DN13	PN350
DN20	PN175
DN25	PN150
DN32	PN100
DN40	PN100
DN50	PN100

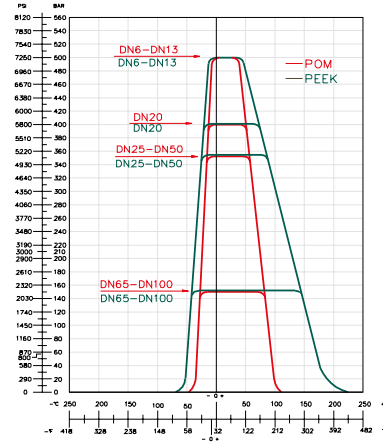


SEATS GEMPTFE  
O-RING NBR (KB)

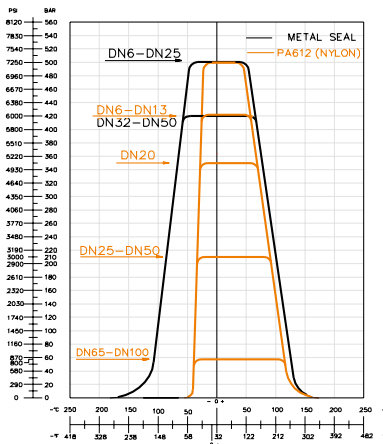
DN6	PN350
DN10	PN350
DN13	PN350
DN20	PN175
DN25	PN150
DN32	PN100
DN40	PN100
DN50	PN100

NOTES

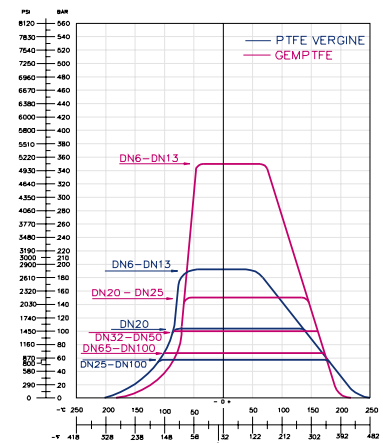
The values reported in the chart are just guidelines and should not be taken as compulsory. Every valve should be associated with the pressure/temperature rating in accordance with the dimension of the bore, the body material, the ball and the stem. Carbon steel valves are suitable for low temperature until -20°C while the stainless steel ones (316L) are suitable until -40°C. For any other use of the valves below these temperatures we suggest to employ a different material.



Z Z °° Z °°  
Z °° Z °°



Z Z °° Z °°  
Z °° Z °°



Z Z °° Z °°  
Z °° Z °°

## O-RINGS RESISTANCE TO FLUIDS

	O-rings resistance to fluids				
	NBR	FKM	MVQ	EPDM	FFKM
<b>A</b>					
Acetaldehyde	C	D	B	B	A1
Acetamide	A	C	B	A	A1
Acetate of copper	B	D	D	A	A
Acetate of copper hot	D	D	C	C	A
Acetic anhydride	D	D	B	B	A
Acetoacetic ester	D	D	B	B	A
Acetone	D	D	D	A	A
Acetophenone	D	D	D	A	A
Acetyl chloride	D	A	C	D	A
Acetylacetone	D	D	D	A	A
Acetylene, Ethene	A	A	B	A	A
Acrylic acid ethyl ester	D	D	B	B	A1
Acrylonitrile	D	C	D	D	A1
Aero Shell 7A	A	A	B	D	A
Aero Shell 17	A	A	B	D	A
Aero Shell 750	B	A	D	D	A
Aero Shell Fluid 4	A	A	D	D	A
Aerosafe 2300	D	D	C	A	-
Aerosafe 2300 W	D	D	C	A	-
Air	A	A	A	A	A
Air oil-free 100°C	A	A	A	A	A
Air oil-free 150°C	B	A	A	B	A
Air oil-free 200°C	D	A	A	D	A
Alkazene®	D	B	D	D	A
Aluminium acetate	B	D	D	A	A
Aluminium bromide	A	A	A	A	A
Aluminium chloride	A	A	B	A	A
Aluminium fluoride	A	A	B	A	A
Aluminium nitrate	A	A	B	A	A
Aluminium phosphate	A	A	A	A	A
Aluminium sulphate	A	A	A	A	A
Alums	A	A	B	A	A
Ammonia gas (cold)	A	D	A	A	A1
Ammonia gas gas (hot)	D	D	B	A	A1
Ammonia gas gas liquid (anhydrous)	B	D	B	A	A1
Ammonium carbonate	C	B	D	A	A
Ammonium Chloride	A	A	B	A	A
Ammonium Chloride 3 molar solution	A	B	A	A	A
Ammonium hydroxide concentrated	D	C	A	A	A1
Ammonium nitrate	A	B	B	A	A
Ammonium nitrite	A	-	B	A	A
Ammonium persulphate	D	-	-	A	A
Ammonium persulphate solution	D	-	-	A	A
Ammonium phosphate	D	-	-	A	A
Ammonium phosphate	A	B	B	A	A
Ammonium phosphate primary	A	B	B	A	A
Ammonium phosphate secondary	A	B	B	A	A
Ammonium phosphate tertiary	A	B	B	A	A
Ammonium sulphate	A	C	A	A	A
Ammonium sulphide	A	D	B	A	A
Amyl acetate	A	D	B	A	A

	O-rings resistance to fluids				
	NBR	FKM	MVQ	EPDM	FFKM
Amyl alcohol	D	D	D	A	A
Amyl borate	B	B	D	A	A
Amyl chloride	A	A	-	D	A
Amyl chloronaphtalene	D	A	D	D	A
Aniline (aniline oil)	D	A	D	D	A
Aniline dyes	D	C	D	B	A
Aniline hydrochloride	D	B	C	B	A
Animal fat	A	A	B	B	A
Aqua regia	D	B	D	C	A1
Argon	B	B	C	B	A
Arsenic acid (arsenic trichloride)	A	D	D	D	A
Asphalt	A	A	A	A	A
ASTM-oil No°.1	B	A	D	D	A
ASTM-oil No°.2	A	A	A	D	A
ASTM-oil No°.3	A	A	D	D	A
ASTM-oil No°.4	A	A	C	D	A
ASTM-reference fuel A	B	A	D	D	A
ASTM-reference fuel B	A	A	D	D	A
ASTM-reference fuel C	A	A	D	D	A
ATF-oil	B	A	D	D	A
<b>B</b>					
Barium chloride	A	A	A	A	A
Barium hydroxide	A	A	A	A	A
Barium sulphide	A	A	A	A	A
Beer	A	A	A	A	A
Benzaldehyde	D	D	D	A	A
Benzene	D	A	D	D	A
Benzene-sulphonic acid 10%	D	A	D	D	A
Benzonic acid	D	A	D	B	A
Benzonic benzyl ester	D	A	-	D	A
Benzonic methyl ester	D	A	D	D	A
Benzophenone	-	A	-	B	A
Benzoyl chloride	D	A	-	A	A
Benzyl alcohol	D	A	B	B	A
Benzyl chloride	D	A	D	D	A
Black liquor	B	A	B	B	-
Blast furnace gas	D	A	A	D	A
Beaching lye	D	A	B	A	A
Borax	B	A	B	A	A
Bordeaux mixture	B	A	B	A	A
Boric acid	A	A	A	A	A
Boron liquid (HEF)	B	A	D	D	-
Bromine	D	A	D	D	A
Bromine water	D	A	D	D	A
Bromobenzol	D	A	D	D	B
Bromochloromethane	D	A	D	B	A
Bromochlorotrifluoroethan	D	A	D	D	A
Bromopentafluoride	D	D	D	D	B
Bromotrifluoride	D	D	D	D	B
Butadine (monomer)	D	A	D	D	A
Butan-2-one (methyl ethyl ketone, MEK)	D	D	D	A	A

O-RINGS RESISTANCE TO FLUIDS

	O-rings resistance to fluids				
	NBR	FKM	MVQ	EPDM	FFKM
Butane	A	A	D	D	A
Butanol (butyl alcohol)	A	A	B	B	A
Butene	B	A	D	D	A
Butter	A	A	B	A	A
Butyl acetate	D	D	D	B	A
Butyl acetylricinoleate	B	A	-	A	B
Butyl acrylate	D	D	D	D	A1
Butyl alcohol	A	A	B	B	A
Butyl butyrate	D	A	-	A	A
Butyl carbitol	D	C	D	A	A
Butyl catechol	D	A	-	B	A
Butyl cellosolve	D	D	D	B	A
Butyl glycol	C	D	B	B	A
Butyl glycoladipate	D	B	B	B	A
Butyl mercaptan	D	A	D	D	A
Butyl oleate	D	A	-	D	A
Butyl stearate	B	A	B	D	A
Butyl n-Butyl ether	C	D	D	C	A
Butylamine, n-Butylamine	C	D	B	D	A1
Butyraldehyde	D	D	D	B	A1
Butyric acid	D	B	D	B	A
<b>C</b>					
Calcium acetate	B	D	D	A	A
Calcium bisulphite	A	A	A	D	A
Calcium chloride	A	A	A	A	A
Calcium cyanide	A	-	A	A	A
Calcium hydroxide	A	A	B	A	A
Calcium hypochloride	B	A	B	A	A
Calcium lysulphide	A	A	A	A	A
Calcium nitrate (nitrate of lime)	A	A	B	A	A
Calcium silicate	A	A	-	A	A
Calcium sulphite	A	A	A	A	A
Calcium thiosulphate	B	A	A	A	A
Caliche solution (chile saltpetre)	A	A	B	A	A
Caproic aldehyde (Hexanal)	-	D	B	B	A1
Carbamates Carbitol/Diethylene glycol monoethyl ether	D	A	-	B	A
Carbolic acid (phenol)	A	A	D	D	A
Carbon dioxide dry	A	B	B	B	A
Carbon dioxide moist	A	B	B	B	A
Carbon disulphide	D	A	D	D	A
Carbon monoxide	A	A	A	A	A
Carbon tetrachloride	B	A	D	D	B
Carbonic acid	B	A	A	A	A
Castor oil	A	A	A	B	A
Cellosolve (Ethylene glycol ethyl ether)	D	D	D	B	A
Cellosolve acetate	D	D	D	B	A
Cetane (Hexadecane)	A	A	D	D	A
Chloroacetone	D	D	D	A	A
Chlorax	B	A	-	B	A
Chlordane	B	A	D	D	A

	O-rings resistance to fluids				
	NBR	FKM	MVQ	EPDM	FFKM
Chlordecane	D	A	D	D	A
Chloroacetic acid	D	D	D	B	A
Chlorextol	B	A	D	D	A
Chlorinated carbonic acid ethyl ester	D	A	D	D	A
Chlorine dioxide	D	A	D	C	A
8% Cl as CaClO in solution	D	A	D	D	A
Chlorine dry	D	B	D	D	A
Chlorine moist	C	A	-	B	B
Chlorine naphtaline	D	A	D	D	A
Chlorine trifluoride	D	D	D	D	B
Chlorine 1-chlorine-nitroethane	D	D	D	D	A
Chloroacetic acid	D	A	D	D	A
Chlorobenzene (monochlorobenzene)	D	A	D	D	A
Chloroform (Trichloromethane)	D	A	D	D	A
Chloroprene	D	A	D	D	A
Chlorosulphonic acid	D	D	D	D	A
Chlortoluene	D	A	D	D	A
Chrome bath electrolyte	D	A	B	B	A
Chrome alum	A	A	A	A	A
Citric acid	A	A	A	A	A
Citric acid 2n	A	A	A	A	A
Coconut oil	A	A	A	C	A
Cod liver oil	A	A	B	A	A
Coffee	A	A	A	A	A
Colamine (ethanolamine)	D	D	B	B	A1
Coliche-solution	B	-	-	B	-
Compressed air supply (oil-free)	A	A	A	A	A
Coolanol (Monsanto), Silicone oil	A	A	D	D	A
Copper chloride	A	A	A	A	A
Copper cyanide	A	A	A	A	A
Cotton seed oil	A	A	A	C	A
Creosote, carbolineum	A	A	D	D	A
Cresilic acid	D	A	D	D	-
Crude oil	B	A	D	D	A
Crumene (isopropylbenzene)	D	A	D	D	A
Cyclohexane	A	A	D	D	A
Cyclohexanol	A	A	D	D	A
Cyclohexanon	D	D	D	B	A
<b>D</b>					
Decane	A	A	B	D	A
Delco brake fluid	C	D	C	A	A
Denaturated alcohol	A	A	A	A	A
Detergent dissolved in water	A	A	A	A	A
Developer (photo)	A	A	A	B	A
Diacetone alcohol	D	D	D	A	A
Diazinone (insecticide)	C	B	D	D	-
Dibenzyl ether	D	D	D	B	A
Dibenzyl sebacate	D	B	C	B	A
Dibromomethyl benzol	D	A	D	D	A
Dibromodifluoromethane	D	-	D	B	B
Dibutyl amine	D	D	C	D	A1



	O-rings resistance to fluids				
	NBR	FKM	MVQ	EPDM	FFKM
Dibutyl ether	D	C	D	C	A
Dibutyl phthalate	D	C	C	B	A
Dibutyl sebacate	D	B	B	B	A
Dichlorobutane (Tetramethylene chloride)	B	A	D	D	A
Dichloroisopropylether	D	C	D	C	A
Dichloromethane (Methylene chloride)	D	B	D	D	A
Dicyclohexylamine	C	D	D	D	A1
Diesel fuel	A	A	D	D	A
Diethyl ether	D	D	D	D	A
Diethyl sebacate	D	B	B	B	A
Diethylamine	B	D	B	B	A1
Dyethylene	A	A	B	A	A
Diisobutylene	B	A	D	D	A
Diisooctyl sebacate	C	B	C	C	A
Diisopropyl ketone 3-molar	D	D	D	A	A
Diisopropyl ketone concentrated	D	A	D	D	A
Diisopropyl ketone red, fuming	D	B	D	D	B
Dimethyl formamide (DMF)	C	D	B	B	A
2,2-Dimethylbutane	A	A	D	D	A
2,3-Dimethylbutane	A	A	D	D	A
Dimethylether (Methylether)	A	A	A	A	A
Dimethyldiazine	B	D	D	A	A
2,4-Dimethylpentane	A	A	D	D	A
Dimethylphthalate	D	B	-	B	A
Dinitrogen monoxide (laughing gas)	A	A	A	B	A
Dinitrotoluene	D	D	D	D	A
Diocetyl phthalate (DOP)	D	B	C	B	A
Diocetyl sebacate (DOS)	D	B	C	B	A
Dioxan	D	D	D	B	A
Dioxolan	D	D	D	B	A
Dipentene (paint solvent)	B	A	D	D	A
Diphenyl (biphenyl)	D	A	D	D	A
Diphenyl ether	D	A	C	D	A
Dowtherm A thermal oil	D	A	D	D	A
Dowtherm E thermal oil	D	A	D	D	A
Drilling oil	A	A	D	D	A
Dye solvent	D	B	D	D	A
<b>E</b>					
Electroplating solution chrome	D	A	B	B	A
Electroplating solution chrome other metals	-	A	D	A	A
Epichlorhydrin	D	D	D	B	A
Epoxy resins	-	D	-	A	A
Ethan	A	A	D	D	A
Ethane	A	A	B	B	A
Ethane thiol	D	B	C	D	A
Ethanol (ethyl alcohol)	A	C	A	A	A
Ethanolamine (Colamin)	B	D	B	B	A1
Ether (various)	D	C	D	C	A
Ethyl acetate	D	D	B	B	A
Ethyl acrylic acid	D	-	D	B	A1
Ethyl alcohol (ethanol)	A	C	A	A	A

	O-rings resistance to fluids				
	NBR	FKM	MVQ	EPDM	FFKM
Ethyl benzoate	D	A	D	D	A
Ethyl bromide	B	A	D	D	A
Ethyl chloride	A	A	D	A	A
Ethyl cyclopentane	A	A	D	D	A
Ethyl dichloride	D	B	D	D	A
Ethyl ether	C	D	D	C	A
Ethyl oxalate	D	A	D	A	A
Ethyl pentachloro-benzene	D	A	D	D	A
Ethyl silicate	A	A	B	A	A
Ethylbenzene	D	A	D	A	A
Ethylcellulose	B	D	B	B	A
Ethylene chlorhydrin	D	A	C	B	A
Ethylene dibromide	D	A	D	C	A
Ethylene dichloride	D	A	D	C	A
Ethylene glycol (glycol)	A	A	A	A	A
Ethylene oxide	D	D	D	C	A1
Ethylene oxide (12%) and Freon (80%)	C	D	D	B	A1
Ethylene trichloride ("Tri")	D	A	D	D	A
Ethylene 2-ethyl-1-hexanol (isooctanol)	A	A	B	A	A
Ethylendimine	A	D	A	A	A1

<b>F</b>					
Fatty acids	B	A	B	C	A
Fluorolub	A	B	A	A	-
Formaldehyde	C	D	B	B	A1
Formic acid methylester	D	D	-	B	A
Freon 11	A	A	D	A	B
Freon 12	A	A	D	A	B
Freon 12 and ASTM oil no. 2 (50:50 mix)	A	A	D	A	B
Freon 12 and Suniso 4g (50:50 mix)	D	D	D	D	A
Freon 13	D	D	D	A	B
Freon 1381	A	A	D	A	B
Freon 14	A	A	D	A	B
Freon 21	D	D	D	D	A
Freon 22	D	D	D	A	B
Freon 22 and ASTM oil no. 2 (50:50 mix)	D	B	D	D	B
Freon 31	D	D	D	A	B
Freon 32	A	D	D	A	B
Freon 112	B	A	D	D	B
Freon 113	A	B	D	D	B
Freon 114	A	A	D	A	B
Freon 114 B2	B	B	D	D	B
Freon 115	A	A	D	A	B
Freon 502	B	B	A	A	B
Freon BF	B	A	D	D	B
Freon C 318	A	B	D	A	B
Freon K-142b	A	D	-	A	B
Freon K-152a	A	D	-	A	B
Freon MF	B	B	D	D	B
Freon PCA	A	B	D	D	B
Freon TF	A	B	D	D	A
Fuel oil	A	A	D	D	A

O-RINGS RESISTANCE TO FLUIDS

	O-rings resistance to fluids				
	NBR	FKM	MVQ	EPDM	FFKM
Fumaric acid	A	B	D	D	A
Fural (2-furaldehyde)	D	D	D	B	A1
Furan	D	D	D	D	A
Furfur alcohol	D	D	D	B	A
Furyl carbinol	D	-	D	B	-
<b>G</b>					
Gallic acid	B	A	A	B	A
Gallotannic acid	A	A	B	A	A
Gallotannic tannin 10%	A	A	B	A	A
Gear oil type A	A	A	B	D	A
Gelatines	A	A	A	A	A
Generator gas	A	A	B	D	A
Girling brake fluid	C	D	-	A	A
Glacial acetic acid (100% acetic acid)	B	D	B	B	A
Glauber salt (sodium sulphate)	D	A	A	B	A
Glucose	A	A	A	A	A
Glycerine	A	A	A	A	A
Glycerine triacetate	B	D	B	A	A
Glycol (ethylene glycol)	A	A	A	A	A
Green liquor	B	A	-	A	A
Groundnut oil	A	A	A	C	A
<b>H</b>					
Halon 1301	A	A	D	A	B
Halothane (narcotic)	D	A	D	D	A
Halowax oil	D	A	D	D	A
Heavy water	A	A	A	A	A
Helium	A	A	A	A	A
n-heptane	A	A	D	D	A
n-hexaldehyde	D	D	B	A	A1
n-hexane	A	A	D	D	A
1-n-hexene	B	A	D	D	A
Hexylalcohol	A	B	-	C	A
Houghto-Safe 241 (water/glycol,HCF)	A	B	B	A	A
Houghto-Safe 620 (water/glycol, HCF)	A	B	B	A	A
Houghto-Safe 1010 (phosphate ester, HFD-R)	D	A	C	A	A
Houghto-Safe 1055 (phosphate ester, HFD-R)	D	A	C	A	A
Houghto-Safe 1120 (phosphate ester, HFD-R)	D	A	C	A	A
Houghto-Safe 5040 (water/oil emulsion)	A	A	C	D	A
Hydraulic fluid (mineral oil based)	A	A	B	D	A
Hydrazine	B	B	B	A	A
Hydrobromic acid	D	A	D	A	A
Hydrobromic acid 40%	D	A	D	A	A
Hydrochloric acid 3-molar concentrated	C	A	D	A	A
Hydrochloric acid 3-molar concentrated	D	A	D	C	A
Hydrocyanic acid	B	A	C	A	A
Hydrocyanic acid ≤65% cold	C	A	D	A	A1
Hydrocyanic acid > 65% cold	D	A	D	C	B
Hydrocyanic acid ≤65% hot	D	C	D	D	B
Hydrocyanic acid >65% hot	D	C	D	D	A
Hydrofluosilicic acid	B	A	D	A	B

	O-rings resistance to fluids				
	NBR	FKM	MVQ	EPDM	FFKM
Hydrogen fluoride (hydrofluoric acid, anhydrous)	D	D	D	A	B
Hydrogen gas hot	A	A	C	A	A
Hydrogen gas dilute	A	A	C	A	A
90%	D	A	B	C	A
Hydrogen peroxide dilute	B	A	A	-	A
Hydrogen sulphide dry, cold	A	D	C	A	A
Hydrogen sulphide dry, hot	D	D	C	A	A
Hydrogen sulphide moist, cold	D	D	C	A	A
Hydrogen sulphide moist, hot	D	D	C	A	A
Hydroquinone	C	B	D	D	A
Hydyn	B	D	D	A	A
<b>I</b>					
Iodine	B	A	-	B	A
Iodine pentafluoride	D	D	D	D	B
Iron chloride	A	A	B	A	A
Iron nitrate	A	A	B	A	A
Isobutyl alcohol (isobutanol)	B	A	A	A	A
Isobutyl-n-butyrate	D	A	-	A	A
Isododecane	A	A	D	D	A
Iso-octane	A	A	D	D	A
Isophoron (Ketone)	D	D	D	A	A
Isopropanol (isopropyl alcohol)	B	A	A	A	A
Isoproyl benzene	D	A	D	D	A
Isoproyl chloride	D	A	D	D	A
Isopropylacetat	D	D	D	B	A
Isopropylacetate	B	D	D	D	A
Isopropylalkohol (isopropanol)	B	A	A	A	A
<b>J</b>					
JP 3 (MIL-J.5624)	A	A	D	D	A
JP 4 (MIL-J-5624)	A	A	D	D	A
JP 5 (MIL-J-5624)	A	A	D	D	A
JP 6 (MIL-J-5624)	A	A	D	D	A
JP X (MIL-F-2564)	A	D	D	D	-
<b>K</b>					
Kaliumcyanide	A	A	A	A	A
Kerosene	A	D	D	D	-
<b>L</b>					
Lactams	D	D	-	B	A
Lactic acid cold	A	A	B	A	A
Lactic acid hot	D	A	B	D	A
Lard, animal fat	A	A	B	B	A
Lavender oil	B	A	D	D	A
Lead acetate (sugar of lead)	B	D	D	A	B
Lead nitrate	A	A	B	A	B
Lead sulphate	B	A	B	A	A
Light crude oil (crude benzene)	A	A	D	D	A
Light lubricants	A	A	D	D	A
Lime milk	A	A	B	A	A

	O-rings resistance to fluids				
	NBR	FKM	MVQ	EPDM	FFKM
Linoleic acid	B	B	B	D	A
Linseed oil	A	A	A	C	A
Liquid gas (Propane, Butane, Propylene)	A	A	C	D	A
Liquimoly	A	A	D	D	A
Lubricating oils di-ester based	B	A	D	D	A
Lubricating oils petroleum based	A	A	D	D	A
Lubricating oils SAE 10, 20, 30, 40, 50	A	A	C	D	A
<b>M</b>					
Magnesium chloride	A	A	A	A	A
Magnesium hydroxide	B	A	A	A	A
Magnesium sulphate	A	A	A	A	A
Maize oil	A	A	A	C	A
Malathion (insecticide)	B	A	D	D	A
Malic acid	A	A	D	D	A
Malic acid anhydrous	D	D	–	B	A
Mercury	A	A	A	A	A
Mercury chloride	A	A	A	A	A
Mercury vapour	A	A	A	A	A
Mesityl oxide (ketone)	D	D	D	B	A
Methacrylic acid	D	C	D	B	A
Methane	A	A	D	D	A
Methyl 2-Methyl pentane	A	A	D	D	A
Methyl 3-Methyl pentane	A	A	D	D	A
Methyl acetate	D	D	D	B	A
Methyl aceto acetate	D	D	B	B	A
Methyl aceto acetate alcohol (methanol)	A	D	A	A	A
Methyl aceto acetate bromide	B	A	D	D	A
Methyl aceto acetate butyl ketone	D	D	D	A	A
Methyl aceto acetate carbonte	D	A	D	D	A
Methyl aceto acetate cellulose	B	D	B	B	A
Methyl aceto acetate chloride	D	A	D	C	A
Methyl aceto acetate chloroform	D	A	D	D	A
Methyl aceto acetate ether (dimethyl ether)	A	A	A	A	A
Methyl aceto acetate ethyl ketone (butanon, MEK)	D	D	D	A	A
Methyl aceto acetate ethyl ketone peroxide	D	D	B	D	A1
Methyl aceto acetate glycol	C	D	D	B	A
Methyl aceto acetate isobutyl ketone (MIBK)	D	D	D	C	A
Methyl aceto acetate methacrylate	D	D	D	D	A1
Methyl aceto acetate oleate	D	A	–	B	A
Methylaniline	D	B	–	D	A
Methylcyclopentane	D	A	D	D	A
Methylene chloride (dichloromethane)	D	B	D	D	A
Methylisopropylketone	D	D	D	B	A
Metilacrilato	D	D	D	B	A
Milk	A	A	A	A	A
Mineral oils	A	A	B	D	A
Mixed amines	D	D	B	B	A1
Molten sulphur	D	A	C	C	A
Monochlorobenzene (chlorobenzene)	D	A	D	D	A
Mopar brake fluid	C	D	C	A	A

	O-rings resistance to fluids				
	NBR	FKM	MVQ	EPDM	FFKM
<b>N</b>					
Naphtha	B	A	D	D	A
Naphthaline	D	A	D	D	A
Naphthenic acid	B	A	D	D	A
Natural gas	A	A	A	D	A
n-Butyl benzoate	D	A	–	A	A
Neat's foot oil	A	A	B	B	A
Neon	A	A	A	A	A
Neville and Winther's acid	D	A	D	B	A
Nickel acetate	B	D	D	A	A
Nickel chloride	A	A	A	A	A
Nickel sulphate	A	A	A	A	A
Nitrobenzene	D	B	D	D	A
Nitroethane	D	A	D	B	A
Nitrogen	A	A	A	A	A
Nitromethane	D	A	D	B	A
Nitropropane	D	A	D	B	A
Nitrotoluene (40% + dinitrotoluene 60% mix)	D	C	D	D	A
Non- mineral oil base brake fluid	C	D	C	A	A
n-propyl acetone	D	D	D	A	A
<b>O</b>					
Octachlorotoluene	D	A	D	D	A
Octadecane	A	A	D	D	A
Octyl alcohol	B	A	B	A	A
Oleic acid	C	B	D	D	A
Oleum (fuming sulphuric acid)	D	A	D	D	A
Olive oil	A	A	A	B	A
Ortho-chloroethyl benzene	D	A	D	D	A
Orthochlorophenol	D	A	D	D	A
Ortho-dichlorobenzene	D	A	D	D	A
Ortho-n-octane	B	A	D	D	A
Oxalic acid	B	A	B	A	A
Oxygen, liquid	D	D	D	D	A1
Ozone	D	A	A	A	A1
<b>P</b>					
Paint thinners	D	D	D	D	A
Paints	B	A	D	D	A
Palmitic acid	A	A	D	B	A
n-pentane	A	A	D	D	A
Perchloric acid 2-molar	D	A	D	B	A
Petrol	A	A	D	D	A
Phenol	D	A	D	D	A
Phenyl ethyl ether	D	D	D	D	A
Phenyhydrazine	D	A	D	D	A
Phoron	D	D	D	A	A
Phosphate of calcium	A	A	A	A	A
Phosphoric acid 3-molar aqueous solution	D	A	B	A	A
Phosphoric acid, 3- molar concentrated molten	D	A	C	B	A
Phosphoric acid, 3- molar Phosphorous chloride	D	A	D	A	A
Picric acid aqueous solution	A	A	B	A	A

O-RINGS RESISTANCE TO FLUIDS

	O-rings resistance to fluids				
	NBR	FKM	MVQ	EPDM	FFKM
Picric acid molten	B	A	D	B	B
Pine oil	A	A	D	D	A
Pinene	B	A	D	D	A
Piperidine	D	D	D	D	A1
Polyvinyl acetate emulsion	-	-	-	A	A
Potassium acetate	B	D	D	A	A
Potassium chloride	A	A	A	A	A
Potassium copper ferricyanide	A	A	A	A	A
Potassium dichromate	A	A	A	A	A
Potassium hydroxide solutions (dilute)	B	B	B	A	A
Potassium hydroxide caustic potash 50%	B	B	D	C	A
Potassium nitrate	A	A	A	A	A
Potassium sulphate	A	A	A	A	A
Potassium sulphite	A	A	A	A	A
Prestune antifreeze	A	A	A	A	A
Propane	A	A	D	D	A
Propionitrile	A	A	D	D	A
Propyl acetate	D	D	D	B	A
Propyl alcohol (Propanol)	A	A	A	A	A
Propyl nitrate	D	D	D	B	A
Propylene	D	A	D	D	A
Propylene oxide	D	D	D	B	A1
Pyridine	D	D	D	B	A
Pyranol, transformer oil (postchlorinated biphenylene)	A	A	D	D	A
Pyrolube	D	A	B	B	-
Pyrrole	D	D	B	D	A
<b>R</b>					
Radioactive radiation	C	D	C	C	-
Rape oil	A	A	D	A	A
<b>S</b>					
Salicylic acid	B	A	A	A	A
Salts of ammonium	A	B	B	A	A
Salts of ammonium barium	A	A	A	A	A
Salts of ammonium calcium	A	A	B	A	A
Salts of ammonium copper	A	A	A	A	A
Salts of ammonium magnesium	A	A	A	A	A
Salts of ammonium nickel	A	A	A	A	A
Salts of ammonium potassium	A	A	A	A	A
Salts of ammonium sodium	A	A	A	A	A
Salts of ammonium zinc	A	A	A	A	A
Seawater containing chlorine and salt	D	A	D	D	A
Seawater containing chlorine and salt salt water	A	A	A	A	A
Silicate ester	B	A	D	D	A
Silicone greases	A	A	D	A	A
Silicone oil	A	A	D	A	A
Silver nitrate	B	A	A	A	A
Soda (sodium carbonate)	A	A	A	A	A
Soapy water	A	A	A	A	A
Sodium acetate	B	D	D	A	A
Sodium borate (Borax)	A	A	A	A	A

	O-rings resistance to fluids				
	NBR	FKM	MVQ	EPDM	FFKM
Sodium carbonate (soda)	A	A	A	A	A
Sodium chloride	A	A	A	A	A
Sodium cyanide	A	A	A	A	A
Sodium met phosphate (Colon)	A	A	-	A	A
Sodium hydroxide (caustic soda) 3 molar	B	B	A	A	A
Sodium hypochlorite	C	A	C	C	A
Sodium met silicate	A	A	-	A	A
Sodium nitrate (saltpetre)	B	A	D	A	A
Sodium perforate	B	A	B	A	A
Sodium peroxide	B	A	D	A	A
Sodium phosphate primary	A	A	D	A	A
Sodium phosphate tertiary	A	A	A	A	A
Sodium sulphate (Gluer's salt)	A	A	A	A	A
Sodium sulphide	A	A	A	A	A
Sodium sulphite	A	A	A	A	A
Sodium thiosulphate (fixer)	B	A	A	A	A
Soya oil	A	A	A	C	A
Stannic chloride	A	A	B	A	A
Stannic 50%	A	A	B	A	A
Stannous Chloride	A	A	B	A	A
Steam below 150°C	D	C	C	A	A
Steam above 150°C	D	D	D	B	A
Satiric acid	B	A	B	B	A
Styrene (monomer)	D	B	D	D	A1
Sugar cane solution	A	A	A	A	A
Sugar solutions	A	A	A	A	A
Sugar-beet juice	A	A	A	A	A
Sulphur	D	A	B	A	A
Sulphur chloride D	A	C	D	D	A
Sulphur dioxide aqueous	D	D	B	A	A
Sulphur dioxide dry	D	D	B	A	A
Sulphur dioxide liquid under pressure	D	D	B	A	A
Sulphur hexafluoride	B	C	B	A	B
Sulphur trioxide, dry	D	A	B	B	A
Sulphuric acid 3-molar	D	A	D	B	A
Sulphuric acid concentrated	D	A	D	D	A
Sulphuric acid fuming (20/25% oleum)	D	A	D	D	A
Sulphurous acid	B	A	D	B	A
Super grade petrol	A	A	D	D	A
<b>T</b>					
Tar (bituminous)	B	A	B	D	A
Tartaric acid	A	A	A	B	A
Tetrabromethane	D	A	D	D	A
Tetrabutyl titanate	B	A	-	A	A
Tetrachloroethylene (perchloroethylene dry cleaning fluid)	B	A	D	D	B
Tetraethyl lead	B	A	D	D	A
Tetraethyl chips	B	A	D	D	A
Tetrahydrofurane	D	D	D	B	A
Tetraline	D	A	D	D	A
Titanium (IV) chloride	B	A	D	D	A
Toluene	D	A	D	D	A

	O-rings resistance to fluids				
	NBR	FKM	MVQ	EPDM	FFKM
Toluylene diisocyanate	D	D	D	B	A
Transformer oil	A	A	B	D	A
Transmission fluid type A	A	A	B	D	A
Triaryl phosphate	D	A	C	A	A
Tributoxyethyl phosphate	D	A	-	A	A
Tributyl mercaptan	D	A	D	D	A
Tributyl phosphate	D	D	D	A	A
Trichloroacetic acid	B	C	C	A	A
Trichloroethane	D	A	D	D	A
Trichloroethylene (Trilene)	D	A	D	D	A
Trichlorometane (Chloroform)	D	A	D	D	A
Triethanolamine	C	D	D	B	A1
Trifluoroethane	D	A	D	D	B
Trinitrotoluene	D	B	-	D	A
Trioctyl phosphate	D	B	C	A	A
Triothocresylphosphate ("TOCP")	D	B	C	A	A
Tripolyphosphate	D	B	C	A	A
Tung oil (China wood oil)	A	A	D	D	A
Turpentine	A	A	D	D	A
<b>V</b>					
Vaseline	A	A	D	D	A
Vegetable oils	A	A	A	C	A
Vinegar (%% actic acid)	B	A	A	A	A
Vinyl acetylene	A	A	B	A	A
<b>W</b>					
Waste water	A	A	A	A	A
Water (for industrial use) up to 70°C	A	B	A	A	A
Water (for industrial use) up to 100°C	B	B	B	A	A
White oil	A	A	D	D	A
White pine oil	B	A	D	D	A
Wine and Whisky	A	A	A	A	A
Wolman's salt (wood impregnation)	A	A	A	A	A
Wood oil	A	A	D	D	A
Wood vinegar	D	D	-	B	A

	O-rings resistance to fluids				
	NBR	FKM	MVQ	EPDM	FFKM
<b>X</b>					
Xenon	A	A	A	A	A
Xylene	D	A	D	D	A
Xylidine (mixture of aromatic amines)	C	D	D	D	A1
<b>Z</b>					
Zeolites	A	A	A	A	A
Zinc acetate	B	D	D	A	A
Zinc acetate sulphate	A	A	A	A	A
Zinc acetate chloride	A	A	A	A	A

**LEGEND**

A	Stable
B	Can be used
C	Limited stability (use not recommendet)
D	Not stable
-	Data not available

The information on the following pages is based on tests under various different conditions. Many of the values have been determined at room temperature with a reaction time of 7 days (150 hours). In individual cases observations may differ between laboratory and practical tests. Because of differences in conditions of use and the composition of fluids the data given are only guidelines and should not be taken as binding. For these reasons we cannot give any guarantees as to the correctness of our recommendations in individual cases. If your operating conditions are unusual please feel free to discuss them with us.

## O-RINGS RESISTANCE TO FLUIDS

### GENERAL PRINCIPLES (O-RINGS)

The simple geometry is the main characteristic of an O-Ring which, in conjunction with proper elastomer selection results in a low cost, easy to use and efficient sealing system. Elastomeric materials, when compressed, react like a high viscosity fluid which transmits applied stress in every direction; consequently, the O-Ring serves as a barrier, blocking the leak paths between the sealing surfaces. Technical sealing has been defined by DIN Standards as follows:

- "Static seal" - The sealing action created between two mating surfaces with no leakage of liquid or minimal diffusion of gas;
- "Dynamic seal" - The mating surfaces have relative movement with minimal leakage of liquid (useful to protect the sealing efficiency, acting as lubricant).

O-Rings offer several advantages over other sealing systems: simplicity of construction, standardized seal dimensions, wide selection of materials, suitability for both static and dynamic applications, standard dimensioning of glands, low cost due to high volume manufacturing. Sealing is always achieved through a positive compression or squeezing action, resulting in a deformation of the O-Ring cross-section. The most important sealing characteristic of an O-Ring is its resistance to compression set or residual deformation.

### DETERMINATION OF THE MATERIALS GROUP

#### **NBR (Acrylonitrile butadiene elastomer):**

This material is the most often used in sealing technology because of its good resistance to the majority of mineral oilbased oils and greases. Its normal temperature range is between -30°C and +100°C, with short periods at +130°C. Special NBR compounds can be used as low as -55°C. The acrylonitrile content may be between 18% and 50%. The most common proportion is 28% to 38%. As this proportion rises the resistance to minerals oils and greases increases, but at the same time the flexibility and low-temperature resistance reduces. The compression set rises as the acrylonitrile content increases.

Maximum and minimum admissible working temperatures for o-rings

	-50°	-40°	-30°	-20°	-10°	0°	+50°	+100°	+150°	+200°	+250°	+300°	+350°	+400°
NBR			-30°					100°						
FKM			-25°							200°				
EPDM	-50°								150°					
HNBR	-50°								150°					
FFKM			-30°											400°



**FKM (Fluoroelastomer)**

FKM has an outstanding resistance to high temperatures, ozone, chemicals and weathering. The operating range is up to +200°C, and +250°C for brief periods. FKM is highly resistant to almost all synthetic hydraulic fluids and those based on mineral oils. FKM is less suitable for use in hot water, steam and at low temperatures. Their low-temperature flexibility is only slight and their resistance to hot water and steam is moderate. Special materials should be selected for these applications.

**MVQ (Silicone elastomer)**

The principal feature of MVQ is its wide temperature range. Its very good low-temperature flexibility, good ozone resistance and good electrical properties are other advantages. Its gas permeability is not as good as that of other elastomers. Operating temperatures are between -60°C and +200°C, up to +250°C for short periods.

**EPDM (Ethylene-propylene diene elastomer)**

EPDM elastomers have a very good resistance to ozone, ageing and weathering, also to water, hot water and steam. They are not resistant to mineral oils and greases. Their compatibility with chemicals is good. Operating temperatures are between -40°C and +160°C, up to +180°C for short periods.

**FFKM (Perfluoroelastomer)**

FFKM has almost the same chemical resistance as RPTFE, plus elastic properties of the fluoroelastomer FKM, and it also has outstanding resistance to high temperatures, ozone, weathering and ageing. The range of service temperatures goes up to +315°C and +350°C for short periods. In the temperature range above +200°C FFKM has a very low and constant compression set.

■ CAPACITY COEFFICIENT

TEST WITH WATER AT 20°C		
DN FB	CV (G.P.M.)	KV (m³/h)
6	5	4.27
10	7	6
13	35	30.2
20	61	53.7
25	105	90.66
32	210	176.5
40	285	245.2
50	425	364.52
65	750	645.4
80	1038	889.5
100	NR	NR

■ DETERMINATION OF THE NOMINAL DIAMETER

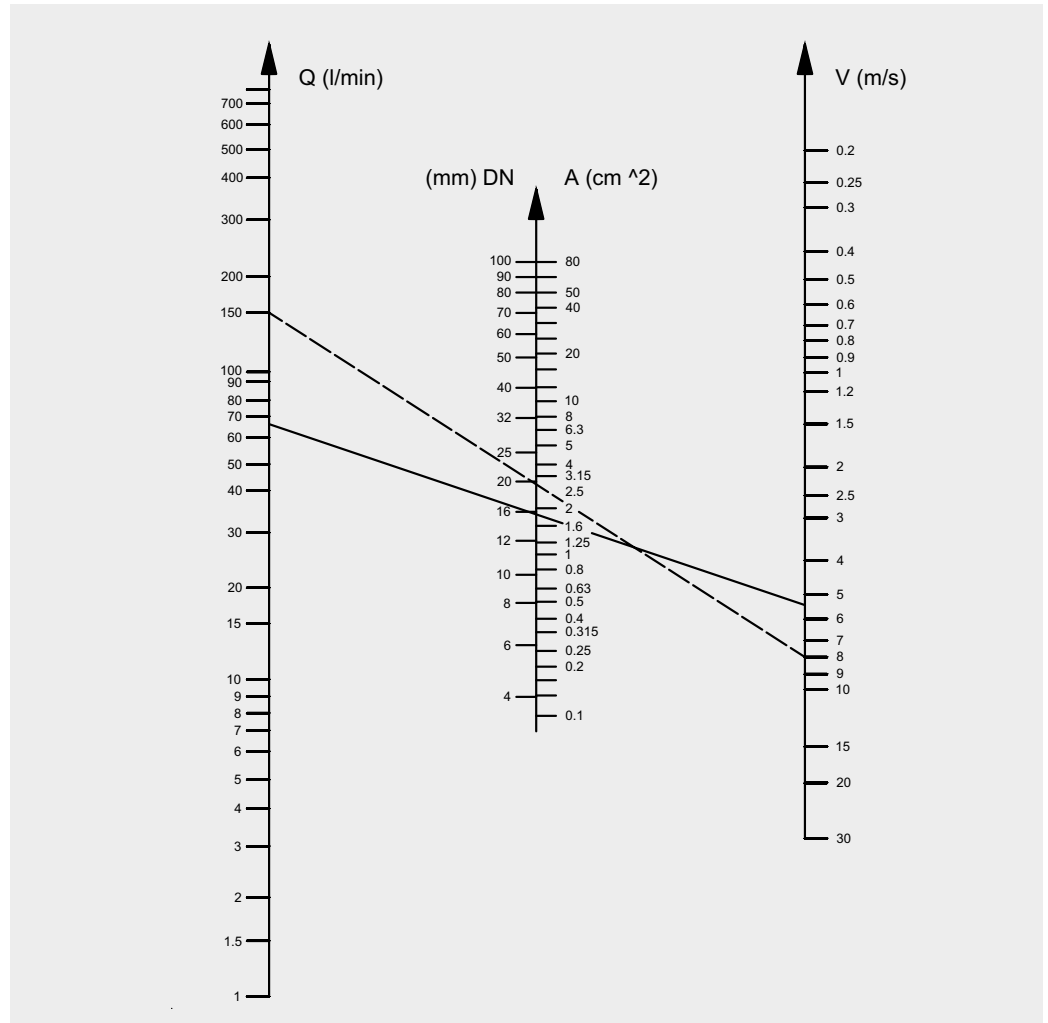
We recommend to use the following oil rate as guide line:

- Suction pipes:  
- 0.5...0.8 m/sec
- Return pipes:  
- 2...4 m/sec
- Pressure pipes up to 10 MPa:  
- 2...4 m/sec
- Pressure pipes up to 50 MPa:  
- 3...12 m/sec

This diagram provides a guide for the determination of the nominal diameter (DN)

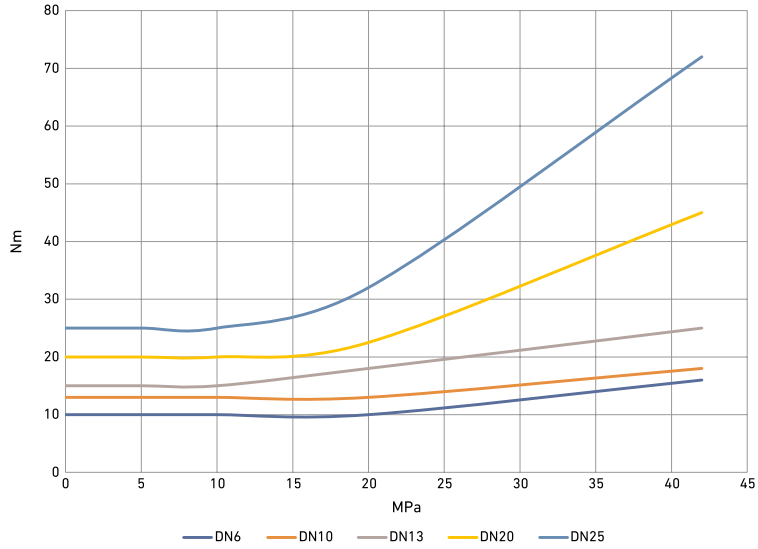
**EXAMPLE 1:**

A velocity  $v = 8$  m/sec and a flow rate of  $Q = 150$  l/min have been selected. The straight line linking these two values on the outer scales intersects the nominal diameter DN20 on the middle scale.





**TORQUE MOMENT**



**TORQUE MOMENT**

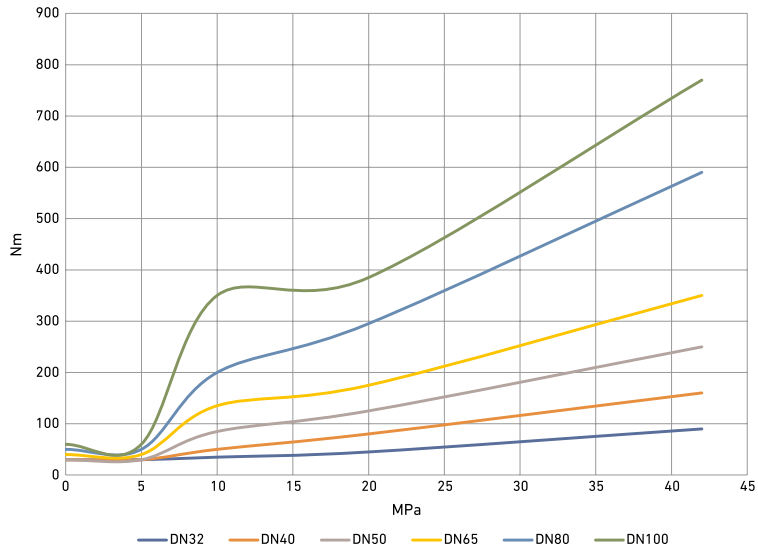


Diagram for the determination of the nominal diameter



The products described in this document are subject to updates or modifications at any time. The descriptions, technical and functional information, illustrations and instructions in this catalog are purely illustrative, and are consequently not contractually binding. Remember also that the products themselves must be used by qualified personnel, in compliance with current plant engineering and installation standards, in order to avoid injury to persons or damage to property.





**GEMELS S.p.A. (Headquarters)**

Via Gambirasio, 20/22  
24069 Trescore Balneario (Bergamo) - ITALY  
tel. (+39) 035 940 445 fax. (+39) 035 945 205  
gemels@gemels.it

**GEMELS NORTH AMERICA INC.**

**Billing Address**

1800 West Loop South - Suite 1740 - Houston, TX 77027

**Warehouse & Distribution Center**

2351 US Route 130 - Dayton, NJ 08810

northamerica@gemels.com

[www.gemels.com](http://www.gemels.com)

